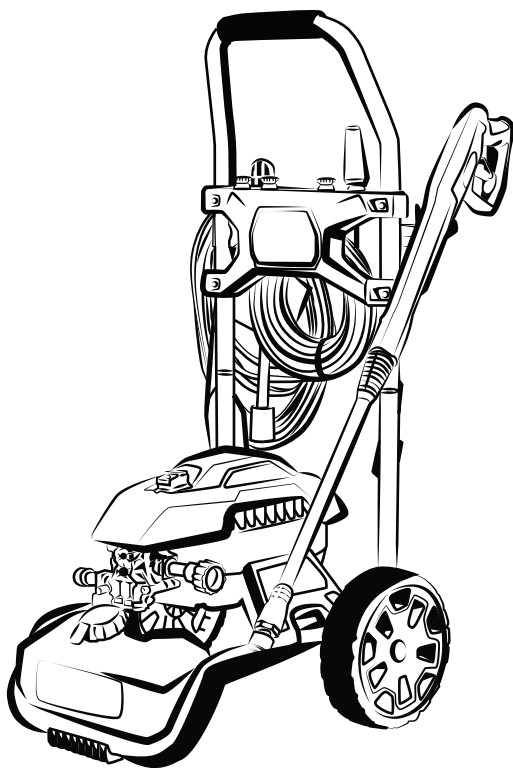


# greenworks

GPW 1803

EN	PRESSURE WASHER	OPERATOR MANUAL
FR	LAVEUSE À PRESSION	MANUEL DE L'UTILISATEUR
ES	LAVADORA A PRESIÓN	MANUAL DEL OPERADOR



PWA112

[www.greenworkstools.com](http://www.greenworkstools.com)



<b>1</b>	<b>Description.....</b>	<b>4</b>	3.7	Install the upper handle.....	8
1.1	Purpose.....	4	3.8	Install the wheels.....	8
1.2	Overview.....	4	3.9	Install the spray wand.....	8
<b>2</b>	<b>General power tool safety</b>		3.10	Install the uberflex hose.....	9
	<b>warnings.....</b>	<b>4</b>	<b>4</b>	<b>Operation.....</b>	<b>9</b>
2.1	General power tool safety warnings.....	4	4.1	Connect the water supply to the machine.....	9
2.2	Electrical safety warnings.....	4	4.2	Use the spray gun.....	9
2.3	Pressure washer safety warnings.....	5	4.3	Change the spray tip.....	10
2.4	Ground fault circuit interrupter protection.....	5	4.4	Add detergent.....	10
2.5	Servicing of a double-insulated appliance.....	5	4.5	Start the machine.....	11
2.6	Extension cords.....	5	4.6	Stop the machine.....	11
2.7	Child safety.....	5	<b>5</b>	<b>Maintenance.....</b>	<b>11</b>
2.8	Symbols on the product.....	5	5.1	Spray tip maintenance.....	11
2.9	Risk levels.....	6	<b>6</b>	<b>Transportation and storage.....</b>	<b>12</b>
2.10	Proposition 65.....	6	6.1	Move the machine.....	12
<b>3</b>	<b>Installation.....</b>	<b>6</b>	6.2	Store the machine.....	12
3.1	Electrical connection.....	6	<b>7</b>	<b>Troubleshooting.....</b>	<b>12</b>
3.2	Unpack the machine.....	7	<b>8</b>	<b>Technical data.....</b>	<b>13</b>
3.3	Install the upper panel.....	7	<b>9</b>	<b>Limited warranty.....</b>	<b>14</b>
3.4	Install the hose hook.....	7	<b>10</b>	<b>Exploded view.....</b>	<b>15</b>
3.5	Install the spray gun holder.....	8			
3.6	Install the power cord storage arm.....	8			

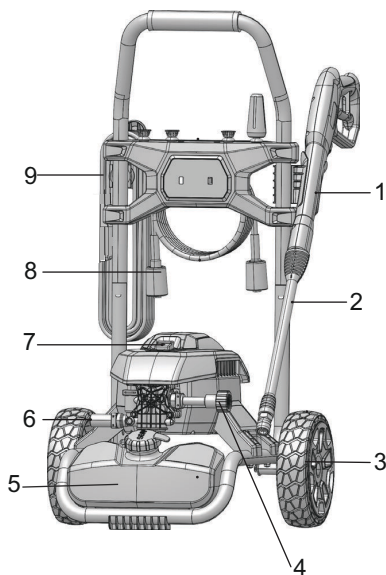
## 1 DESCRIPTION

### 1.1 PURPOSE

The machine is used to clean vehicles, boats, buildings, porches, decks, patios, and driveways.

For residential use only, not for professional use, and for operation at temperature above 32°F (0°C).

### 1.2 OVERVIEW



1	Spray gun	7	Power switch
2	Spray wand	8	Uberflex hose
3	Wheel	9	Power cord
4	Water inlet	10	Front panel
5	Detergent tank	11	Spray tip
6	Water outlet		

## 2 GENERAL POWER TOOL SAFETY WARNINGS

### ▲ WARNING

When using this product basic precautions should always be followed, including the following:

Save all warnings and instructions for future reference.

The term “power tool” in the warnings refers to your mains-operated (corded) power tool.

### 2.1 GENERAL POWER TOOL SAFETY WARNINGS

- The machine is not intended for use by persons (including children) with reduced physical, sensory or mental capabilities, or lack of experience and knowledge, unless they have been given supervision or instruction concerning use of the machine by a person responsible for their safety. Children should be supervised to ensure that they do not play with the machine.
- Learn the machine's applications and limitations as well as the specified potential hazards related to this tool by studying this manual.
- Never operate the machine with any guard or cover removed or damaged.
- Do not operate the product while under the influence of drugs, alcohol, or any medication.
- Do not wear loose clothing, gloves, neckties, or jewelry. They can get caught and draw you into moving parts.
- Rubber gloves and non-skid footwear are recommended when working outdoors. Also wear protective hair covering to contain long hair. Wear footwear that will protect your feet and improve your grip on slippery surfaces.
- Don't overreach or stand on unstable support. Keep proper footing and balance at all times.
- Check the work area before each use. Remove all objects such as rocks, broken glass, nails, wire, or string which can be thrown or become entangled in the machine.
- Avoid dangerous environments. Don't expose to rain. Keep work area well lit.
- Before starting any cleaning operation, close doors and windows. Clear the area to be cleaned of debris, toys, outdoor furniture, or other objects that could create a hazard.
- Don't use the appliance within range of persons unless they wear protective clothing.

### 2.2 ELECTRICAL SAFETY WARNINGS

- Disconnect from the electrical power supply before carrying out user maintenance.
- Use only extension cords that have watertight connections and are intended for outdoor use. Use only extension cords having an electrical rating not less than the rating of the product. Examine extension cord before using and replace if damaged. Do not abuse extension cord and do not pull on any cord to disconnect. Keep cord away from heat and sharp edges. Always disconnect the extension cord from the receptacle before disconnecting the product from the extension cord.
- Do not use the machine if a supply cord or important parts of the appliance are damaged, e.g. safety devices, high pressure hoses, trigger gun.
- Inadequate extension cords can be dangerous.
- To reduce the risk of electrocution, keep all connections dry and off the ground. Do not touch plug with wet hands.

- Do not abuse the cord. Never use the cord to carry the product or to disconnect the plug from an outlet. Keep cord away from heat, oil, sharp edges, or moving parts. Replace damaged cords immediately. Damaged cords increase the risk of electric shock.
- Inspect extension cords periodically and replace if damaged. Keep handles dry, clean, and free from oil or grease.

### 2.3 PRESSURE WASHER SAFETY WARNINGS

- Read all the instructions before using the product.
- To reduce the risk of injury, close supervision is necessary when a product is used near children.
- Know how to stop the product and bleed unit pressure quickly. Be thoroughly familiar with the controls.
- Stay alert – watch what you are doing.
- Do not operate the product when fatigued or under the influence of alcohol or drugs.
- Keep operating area clear of all persons.
- Do not overreach or stand on unstable support. Keep good footing and balance at all times.
- Follow the maintenance instructions specified in the manual.
- This product is provided with a ground fault circuit interrupter built into the power cord plug. If replacement of the plug or cord is needed, use only identical replacement parts.
- Risk of injection or injury– Do not direct discharge stream at persons.
- Keep the motor away from flammables and other hazardous materials.
- Keep product dry, clean, and free from oil and grease. Always use a clean cloth when cleaning. Never use brake fluids, gasoline, petroleum-based products, or any solvents to clean product.

#### ▲ WARNING

To reduce the risk of electrocution, keep all connections dry and off the ground. Do not touch plug with wet hands.

### 2.4 GROUND FAULT CIRCUIT INTERRUPTER PROTECTION

This pressure washer is provided with a ground-fault circuit-interrupter (GFCI) built into the plug of the power-supply cord. This device provides additional protection from the risk of electric shock. Should replacement of the plug or cord become necessary, use only identical replacement parts that include GFCI protection.

### 2.5 SERVICING OF A DOUBLE-INSULATED APPLIANCE

- Within a double-insulated product, two systems of insulation are provided instead of grounding. No

grounding means is provided on a double-insulated product, nor should a means for grounding be added to the product. Servicing a double-insulated product requires extreme care and knowledge of the system, and should be done only by qualified service personnel. Replacement parts for a double-insulated product must be identical to the parts they replace. A doubleinsulated product is marked with the words “DOUBLE INSULATION” or “DOUBLE INSULATED.”

### 2.6 EXTENSION CORDS

- Use only extension cords that are intended for outdoor use. These extension cords are identified by a marking “Acceptable for use with outdoor appliances; store indoors while not in use.” Use only extension cords having an electrical rating not less than the rating of the product. Do not use damaged extension cords. Examine extension cord before using and replace if damaged. Do not abuse extension cord and do not yank on any cord to disconnect. Keep cord away from heat and sharp edges. Always disconnect the extension cord from the receptacle before disconnecting the product from the extension cord.



### 2.7 CHILD SAFETY










Tragic accidents can occur if the operator is not aware of the presence of children.

- Keep children out of the working area and under the watchful care of a responsible adult.
- Do not allow children under the age of 14 to operate this machine. Children who are 14 years of age and older must read and understand the operating instructions and safety rules in this manual and must be trained and supervised by a parent.
- Stay alert, and turn the machine off if a child or any other person enters the working area.
- Use extreme care when approaching blind corners, doorways, shrubs, trees, or other objects that may obscure your view of a child who may run into the path of the machine.

### 2.8 SYMBOLS ON THE PRODUCT



Some of the following symbols may be used on this tool. Please study them and learn their meaning. Proper interpretation of these symbols will allow you to operate the tool better and safer.


Symbol	Explanation
	To reduce the risk of injury, user must read and understand operator’s manual before using this product.
	Do not expose the product to rain or moist conditions.

Symbol	Explanation
	Always wear safety goggles or safety glasses with side shields and, as necessary, a full face shield when operating this product.
	To reduce the risk of injection or injury, never direct a water stream towards people or pets or place any body part in the stream. Leaking hoses and fittings are also capable of causing injection injury. Do not hold hoses or fittings.
	To reduce the risk of injury from kickback, hold the spray lance securely with both hands when the machine is on.
	Failure to use in dry conditions and to observe safe practices can result in electric shock.
	Fuel and its vapors are explosive and can cause severe burns or death.
	Warning! Never point the gun to human, animals, the machine body, power supply or any electric appliances.
	Appliance not suitable for connection to the drinking water mains without backflow preventer.
	Only use cleaning deck on flat, horizontal surfaces. Never lift cleaning deck from the cleaning surface while operating the pressure washer.
	Keep hands and feet away from the cleaning deck while the pressure washer is running.

## 2.9 RISK LEVELS

The following signal words and meanings are intended to explain the levels of risk associated with this product.

SYMBOL	SIGNAL	MEANING
	DANGER	Indicates an imminently hazardous situation, which, if not avoided, will result in death or serious injury.
	WARNING	Indicates a potentially hazardous situation, which, if not avoided, could result in death or serious injury.

SYMBOL	SIGNAL	MEANING
	CAUTION	Indicates a potentially hazardous situation, which, if not avoided, may result in minor or moderate injury.
	CAUTION	(Without Safety Alert Symbol) Indicates a situation that may result in property damage.

## 2.10 PROPOSITION 65

### ▲ WARNING

This product contains a chemical known to the state of California to cause cancer, birth defects or other reproductive harm. Some dust created by power sanding, sawing, grinding, drilling, and other construction activities contains chemicals known to cause cancer, birth defects or other reproductive harm. Some examples of these chemicals are:

- Lead from lead-based paints;
- Crystalline silica from bricks and cement and other masonry products;
- Arsenic and chromium from chemically treated lumber.

Your risk of exposure to these chemicals varies depending on how often you do this type of work. To reduce your exposure to these chemicals, work in a well-ventilated area, and work with approved safety equipment, such as dust masks that are specially designed to filter out microscopic particles.

Save these instructions.

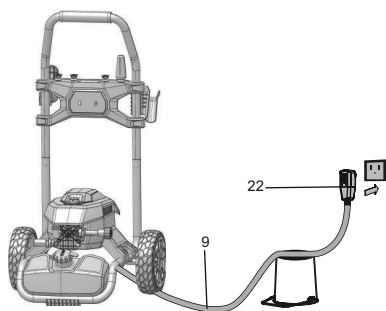
## 3 INSTALLATION

### 3.1 ELECTRICAL CONNECTION

This machine has a precisely built electrical motor. It should be connected to a power supply that is 120V, 60 Hz, AC only (household). Do not operate this machine on direct current (DC). A considerable voltage drop will cause a loss of power and the motor will be overheated.

#### 3.1.1 PREPARE A DRIP LOOP

Recommend the use of a drip loop as below so the water can not run along the power cord even possibly reach the electrical outlet and plug.



### ▲ WARNING

Keep the extension cord clear of the working area. Position the cord so that it will not get caught on lumber, tools, or other obstructions while you are working with a power tool. Failure to do so can result in serious personal injury.

## 3.2 UNPACK THE MACHINE

### ▲ WARNING

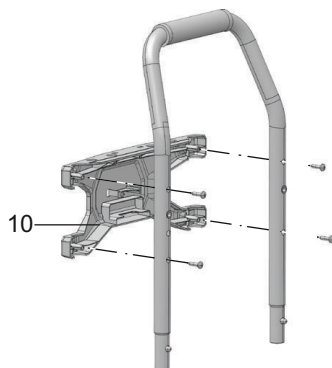
Make sure that you correctly assemble the machine before use.

### ▲ WARNING

- If parts of the machine are damaged, do not use the machine.
- If you do not have all the parts, do not operate the machine.
- If parts are damaged or missing, contact the service center.

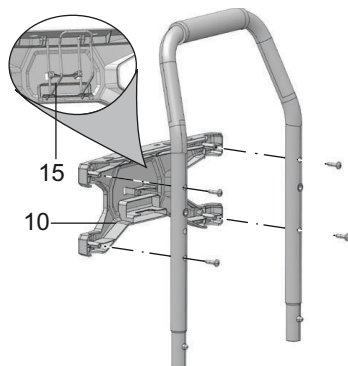
1. Open the package.
2. Read the documentation provided in the box.
3. Remove all the unassembled parts from the box.
4. Remove the machine from the box.
5. Discard the box and packing material in compliance with local regulations.

## 3.3 INSTALL THE UPPER PANEL



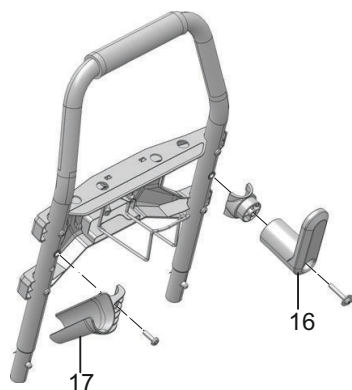
1. Align the screw sleeves of the upper panel (10) with the screw holes on the upper handle.
2. Push the screws through the screw sleeves and tighten them.

## 3.4 INSTALL THE HOSE HOOK



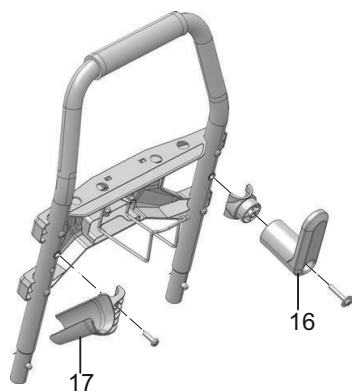
1. Push the hose hook (15) ends into the clips behind the front panel (10) tightly.

### 3.5 INSTALL THE SPRAY GUN HOLDER



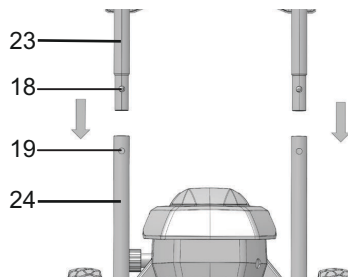
1. Align the screw sleeves of the spray gun holder (17) with the screw holes on the upper handle.
2. Push the screws through the screw sleeves and tighten them.

### 3.6 INSTALL THE POWER CORD STORAGE ARM



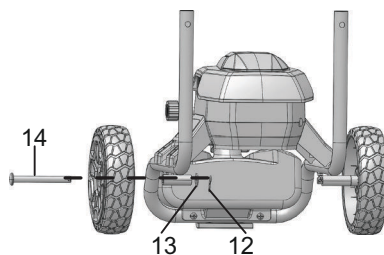
1. Attach the power cord storage arm (16) onto the fixture.
2. Align the screw with the hole in the power cord storage arm (16).
3. Push the screw through and tighten it.

### 3.7 INSTALL THE UPPER HANDLE



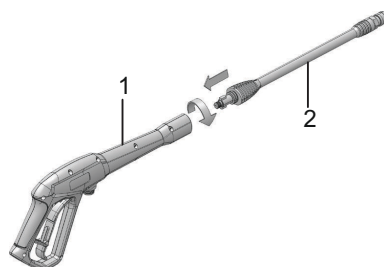
1. Push and hold the handle lock button (18) on the upper handle (23).
2. Move the upper handle (23) into the lower handle (24) until the handle lock button (18) clicks through the slot (19).

### 3.8 INSTALL THE WHEELS



1. Put an axle (14) through the wheel and handle frame.
2. Attach a washer (13) to the axle (14).
3. Put a cotter pin (12) through the hole of the axle (14).

### 3.9 INSTALL THE SPRAY WAND

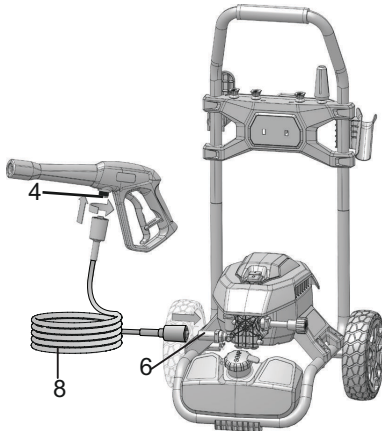


1. Push the end of the spray wand (2) into the gun handle (1).
2. Turn the spray wand (2) clockwise until the tabs lock into position.



**▲ WARNING**

Make sure that the connection has no leakage.

**3.10 INSTALL THE UBERFLEX HOSE**

1. Push and turn clockwise one end of the uberflex hose (8) into the inlet coupler (4).
2. Install and tighten the other end of the uberflex hose onto the water outlet (6) coupler.

**4 OPERATION****▲ WARNING**

Make sure that all the connections are tight and have no leakage before operation.

**4.1 CONNECT THE WATER SUPPLY TO THE MACHINE**

For easy operation, please use a self-coiling garden hose (not provided).

**▲ WARNING**

When you operate the self-coiling hose, make sure that the hose has no blockage.

**▲ WARNING**

- The water supply must come from the water main
- Do not use hot water
- Do not use water from ponds or lakes

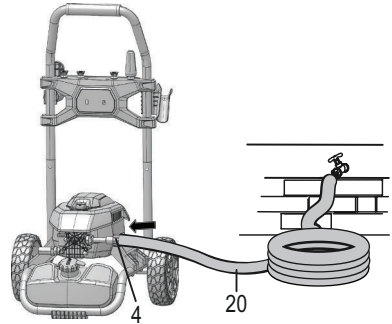
**▲ WARNING**

Do the local regulations when you connect the garden hose to the water supply. Direct connection through a receiver tank or backflow preventer is usually permitted.

**▲ CAUTION**

Inspect the filter in the water inlet connector before you connect the garden hose

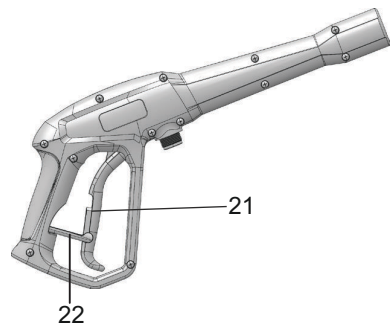
- If the filter is damaged, do not use the machine until the filter is replaced.
- If the filter is dirty, clean the filter.



1. Uncoil the garden hose (20).
2. Let the water flow through the garden hose (20) for 30 seconds.
3. Turn the water supply off.
4. Install and tighten the end of the garden hose (20) to the water inlet (4) connector.

**▲ CAUTION**

There must be a minimum of 3 m of free hose between the water inlet and the water supply.

**4.2 USE THE SPRAY GUN****▲ WARNING**

For safe control, keep your hands on the gun at all times.

- Pull and hold the spray gun trigger (21) to start the machine.

- Release the spray gun trigger (21) to stop water flow through the spray tip (11).

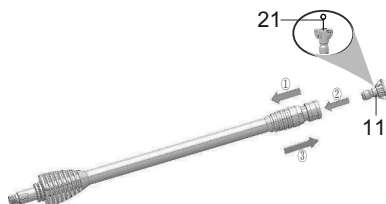
#### 4.2.1 UNLOCK THE GUN TRIGGER

- Push the trigger safety lock-out (22) down until it clicks into the slot.

#### 4.2.2 LOCK THE GUN TRIGGER

- Push the trigger safety lock-out (22) up and into it's original position.

#### 4.3 CHANGE THE SPRAY TIP



##### ▲ WARNING

Before you change the spray tip:

1. Pull the spray gun trigger to release water pressure.
2. Engage the trigger safety lock-out on the spray gun.
3. Stop the machine.

##### ▲ WARNING

Do not point the spray wand at your face or others'.

#### 4.3.1 NOZZLE TYPE

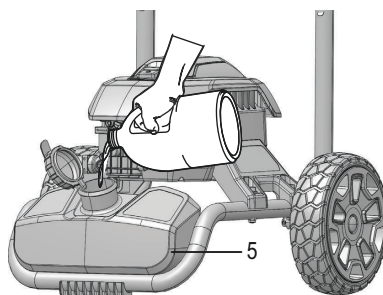
SPRAY TIP	APPLICATION
	<p><b>Green - Narrow fan tip (25°)</b></p> <ul style="list-style-type: none"> <li>• The green pressure washer tip provides high versatility with its 25 degree angle tip. Referred to as the washing tip, because it provides adequate pressure to remove dirt from surfaces, but is designed to not damage many surfaces. This pressure washer tip is designed for "sweeping" foliage or debris given its wide angle. This tip is versatile due to its wide area of cleaning and strong pressure application.</li> </ul>

SPRAY TIP	APPLICATION
	<p><b>White - Wide fan tip (40°)</b></p> <ul style="list-style-type: none"> <li>• The white 40 degree tip, referred to as the "fan" tip creates the widest area of cleaning with relatively low pressure. This pressure washer tip is best used for light or delicate cleaning applications. It is recommended for light cleaning on wood decks and other soft or delicate surfaces.</li> </ul>
	<p><b>Black - Soap spray tip</b></p> <ul style="list-style-type: none"> <li>• The black soap spray tip, is used for soap application. Soap is applied under low pressure high volume for optimum performance. Soap cannot be applied under high pressure with this machine.</li> </ul>
	<p><b>Turbo Nozzle Tip</b></p> <ul style="list-style-type: none"> <li>• The nozzle rotates in a zero to 15 degree spray pattern in a circular motion to break down tough dirt and grime. The spray pattern can cover area of 4 to 8 inches wide, depending on a distance between the tip and the surface being cleaned.</li> </ul>

#### 4.3.2 INSTALL THE SPRAY TIP

1. Pull back the quick-connect collar on the spray wand (2).
2. Insert the spray tip (11) onto the spray wand (2).
3. Release the quick-connect collar to attach the spray tip (11).
4. Pull on spray tip (11) to ensure it is properly installed and does not pull out.

#### 4.4 ADD DETERGENT



##### ▲ WARNING

Do not use household detergents, acids, alkalines, bleaches, solvents, flammable material, or industrial grade solutions, which can do damage to the pump.

**▲ WARNING**

Do the instructions on the solution bottle to prepare detergent.

**i NOTE**

If it is necessary, use a funnel to prevent the spill of detergent. Clean and dry the spilled detergent when you fill it.

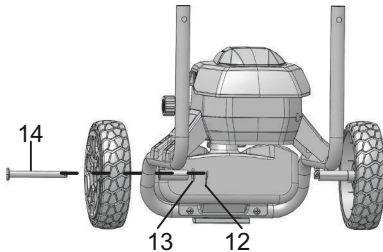
**i NOTE**

Soap/detergent can only be applied with this machine when the black nozzle(75 degree) is installed.

1. Put the machine vertically on a flat surface.
2. Open the cap on the detergent tank (5).
3. Put the detergent into the detergent tank (5).
4. Close the cap.

**i NOTE**

Do not let detergent dry on the surface to prevent streaks.

**4.5 START THE MACHINE****▲ CAUTION**

Do not operate without the water supply connected.

**▲ CAUTION**

Before you start the machine:

1. Turn the water supply on.
  2. Pull the gun trigger to release air pressure.
  3. If a stable stream of water come into view, release the spray gun trigger.
1. Connect the machine to the power supply.
  2. Set the power switch to the "ON" (I) position.
  3. Turn the water supply on.
  4. Pull the spray gun trigger.

**4.6 STOP THE MACHINE**

1. Release the spray gun trigger.

2. Press down on the ON/OFF switch, once again, to set the power switch to the "OFF" (O) position.

**▲ WARNING**

If you do not use the machine :

- Stop the machine.
- Turn the water supply off.
- Disconnect the power cord from the outlet.
- Pull the spray gun trigger to release the remaining pressure from the machine.
- Engage the trigger safety lock-out on the spray gun.

**5 MAINTENANCE****▲ WARNING**

Before maintenance, make sure that you

- Stop the machine.
- Wait until all the moving parts stop.
- Disconnect the plug from the power source.

**▲ WARNING**

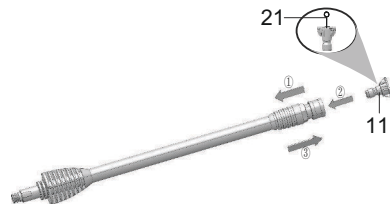
Do not use strong solvents or detergents on the plastic housing or components.

**▲ WARNING**

Do not let brake fluids, gasoline, petroleum-based materials touch the plastic parts. Chemicals can cause damage to the plastic, and make the plastic unserviceable.

**▲ WARNING**

Replace the power cord by an approved service center.

**5.1 SPRAY TIP MAINTENANCE**

If there is too much pump pressure, the spray tip can become clogged, you can feel a pulsing sensation while you pull the spray gun trigger.

**5.1.1 REMOVE THE SPRAY TIP**

1. Pull back the quick-connect collar on the spray wand (2).
2. Remove the spray tip (11) from the spray wand (2).

### 5.1.2 CLEAN THE SPRAY TIP

1. Use a straight paper clip or cleaning tool (21) to clean the spray tip (11).
2. Flush and clean the unwanted materials out of the spray tip (11) with the garden hose (20).
3. Install the clean spray tip (11) to the spray wand (2).

## 6 TRANSPORTATION AND STORAGE

### ▲ WARNING

Disconnect the power cord and water supply hose before transportation and storage.

### 6.1 MOVE THE MACHINE

- Point the spray wand in a safe direction.
- Only hold the machine with the handgrip.

### 6.2 STORE THE MACHINE

### ▲ WARNING

Make sure that the spray gun, the uberflex hose and the pump are dry.

### ▲ WARNING

Make sure the machine is out of the reach of children.

### i NOTE

Use a recommended pump protector to prevent cold weather damage during storage in winter.

- Disconnect the garden hose from machine.
- Wind the power cord and the uberflex hose.
- Clean housing and the plastic components with a moist and soft cloth.
- Make sure that the machine does not have loose or damaged parts. If it is necessary, follow these steps/instructions:
  - Replace the damaged parts.
  - Tighten the bolts.
  - If needed, call the customer service phone number (enter number here) for servicing instructions.
- Store the machine in a dry, isolated and frost-free area.

## 7 TROUBLESHOOTING

PROBLEM	POSSIBLE CAUSE	SOLUTION
The motor does not start.	The power button is in the "OFF" (O) position.	Set the power switch to the "ON" (I) position.
	The power cord is not plugged in.	Connect the power cord to the power supply.
	Electrical outlet does not supply sufficient power.	Try another electrical outlet.
	The circuit breaker is tripped.	Let it cool, and start the machine again.
	The power switch is on, but you do not pull the spray gun trigger.	Pull the spray gun trigger.
The machine does not reach high pressure.	The diameter of garden hose is too small.	Replace with a 1" (25 mm) or 5/8" (16 mm) garden hose.
	Water supply is restricted.	Check garden hose for kinks, leaks, and blockage.
	The water supply is not sufficient.	Open the water supply fully.
	Spray tip has not been installed onto the spray wand properly.	Install desired spray tip to end of wand.
	The water intake filter is clogged.	Remove filter and rinse in warm water.

PROBLEM	POSSIBLE CAUSE	SOLUTION
The output pressure varies high and low.	The water supply is not sufficient.	Open water supply fully. Check garden hose for kinks, leaks, or blockage.
	The pump is drawing in air.	<ol style="list-style-type: none"> <li>1. Make sure that the hoses and fitting are airtight.</li> <li>2. Turn "OFF" machine.</li> <li>3. Purge pump by squeezing trigger gun until a steady flow of water comes out the spray tip.</li> </ol>
	The water intake filter is clogged.	Remove the filter and Rinse in warm water.
	The supply voltage is low.	Make sure that only the pressure washer is running on the circuit.
	The gun, hose or nozzle are calcified.	Run distilled vinegar through detergent tank.

PROBLEM	POSSIBLE CAUSE	SOLUTION
The motor buzzes, but the machine does not start.	The supply voltage is low.	Make sure that only the pressure washer is running on the circuit.
	The pump system has residual pressure.	<ol style="list-style-type: none"> <li>1. Turn "OFF" the machine.</li> <li>2. Pull the spray gun trigger on spray wand to release pressure.</li> <li>3. Turn the machine "ON".</li> </ol>
	Voltage loss due to use of an improper extension cord.	Disconnect the extension cord, and connect the machine directly into the outlet.
	Pressure washer not used for long periods.	Call customer service.
	Residual friction among components. Unit might emit a humming noise.	<ol style="list-style-type: none"> <li>1. Disconnect the water supply.</li> <li>2. Power "ON" the machine for 2 to 3 seconds.</li> <li>3. Repeat the above step a couple of times or until the motor starts.</li> </ol>

There is no water.	The water supply is off.	Turn the water supply on.
	The garden hose is kinked..	Remove kink in garden hose.

## 8 TECHNICAL DATA

Universal Motor	120 V~ 60 Hz, 13 Amps
Max. Pounds Per Square Inch Pressure	1800 PSI
Rated Gallons Per Minute	1.1 GPM
Maximum Inlet Water Temperature	104 °F (40 °C)
Cleaning Units	1,980 C.U.
Weight	27 lbs. (12.35 kg)



Double-insulated construction.

Mooresville, NC 28115 L3Y 8K3

## 9 LIMITED WARRANTY



Greenworks hereby warrants this product, to the original purchaser with proof of purchase, for a period of three (3) years against defects in materials, parts or workmanship. Greenworks, at its own discretion, will repair or replace any and all parts found to be defective, through normal use, free of charge to the customer. This warranty is valid only for units which have been used for personal use that have not been purchased or rented for industrial/commercial use, and that have been maintained in accordance with the instructions in the owners' manual supplied with the product when new.

### ITEMS NOT COVERED BY WARRANTY:

1. Any part that has become inoperative due to misuse, commercial use, abuse, neglect, accident, improper maintenance, or alteration; or
2. The unit, if it has not been operated and/or maintained in accordance with the owner's manual; or
3. Normal wear;
4. Routine maintenance items such as lubricants, blade sharpening;
5. Normal deterioration of the exterior finish due to use or exposure.

### HELPLINE:

Warranty service is available by calling our toll-free helpline at 1-888-909-6757.

### TRANSPORTATION CHARGES:

Transportation charges for the movement of any power equipment unit or attachment are the responsibility of the purchaser. It is the purchaser's responsibility to pay transportation charges for any part submitted for replacement under this warranty unless such return is requested in writing by Greenworks.

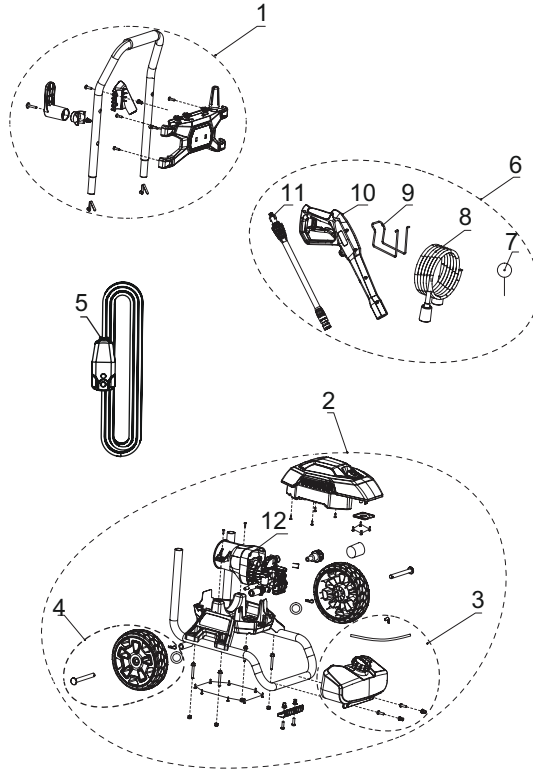
#### USA address:

Greenworks Tools  
P.O. Box 1238

#### Canadian address:

Greenworks Tools Canada, Inc.  
P.O. Box 93095, Newmarket,  
Ontario

## 10 EXPLODED VIEW



Item No.	Part No.	Description	Qty
1	311023613	Upper handle assembly	1
2	311043613	Lower handle assembly	1
3	311053613	Soap tank	1
4	311063613	Wheel assembly	1
5	311093613	Power cord assembly	1
6	311103613	Accessory assembly	1
7	33201671	Spray tip cleaning tool	1
8	311311635	Uberflex hose	1
9	333011936	Hose hook	1
10	C1101896-00	Gun	1
11	31115661	Gun wand	1
12	311113613	Motor assembly	1

<b>1</b>	<b>Description.....</b>	<b>17</b>			
1.1	Usage prévu.....	17	3.6	Installez le levier d'entreposage du cordon d'alimentation.....	21
1.2	Aperçu.....	17	3.7	Installez la poignée supérieure.....	22
<b>2</b>	<b>Avertissements généraux de sécurité des outils électriques.....</b>	<b>17</b>	3.8	Installez les roues.....	22
2.1	Consignes de sécurité générales pour l'outil électrique.....	17	3.9	Installez la lance.....	22
2.2	Alertes de sécurité électrique.....	17	3.10	Installez le tuyau ultraflexible.....	22
2.3	Avertissements de sécurité du pulvérisateur puissant.....	18	<b>4</b>	<b>Utilisation.....</b>	<b>22</b>
2.4	Protection contre les disjoncteurs de fuite à la terre.....	18	4.1	Connexion de l'alimentation en eau à la machine.....	22
2.5	Entretien d'un appareil à double isolation.....	18	4.2	Utilisez le pistolet pulvérisateur.....	23
2.6	Rallonges électriques.....	18	4.3	Changez la buse de pulvérisation.....	23
2.7	Sécurité des enfants.....	18	4.4	Ajoutez du détergent.....	24
2.8	Symboles figurant sur la machine.....	19	4.5	Démarrez la machine.....	25
2.9	Niveaux de risques.....	19	4.6	Arrêtez la machine.....	25
2.10	Proposition 65.....	20	<b>5</b>	<b>Entretien.....</b>	<b>25</b>
<b>3</b>	<b>Installation.....</b>	<b>20</b>	5.1	Entretien de la buse de pulvérisation.....	25
3.1	Connexion électrique.....	20	<b>6</b>	<b>Transport et entreposage.....</b>	<b>26</b>
3.2	Déballer la machine.....	20	6.1	Déplacez la machine.....	26
3.3	Installez le panneau supérieur.....	21	6.2	Entreposer la machine.....	26
3.4	Installez le crochet du tuyau d'arrosage.....	21	<b>7</b>	<b>Dépannage.....</b>	<b>26</b>
3.5	Installez le support du pistolet pulvérisateur.....	21	<b>8</b>	<b>Données techniques.....</b>	<b>27</b>
			<b>9</b>	<b>Garantie limitée.....</b>	<b>28</b>
			<b>10</b>	<b>Vue éclatée.....</b>	<b>29</b>



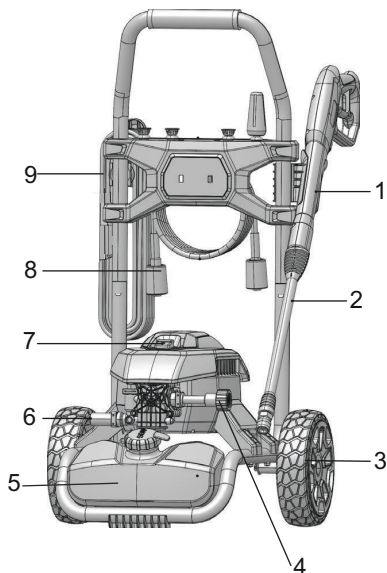
## 1 DESCRIPTION

### 1.1 USAGE PRÉVU

La machine est utilisée pour nettoyer les véhicules, les bateaux, les bâtiments, les porches, les ponts, les patios et les allées.

Elle est conçue pour un usage résidentiel uniquement, non pour un usage professionnel, et pour un fonctionnement à une température supérieure à 0°C (32°F).

### 1.2 APERÇU



- |   |                        |    |                             |
|---|------------------------|----|-----------------------------|
| 1 | Pistolet pulvérisateur | 7  | Interrupteur d'alimentation |
| 2 | Lance                  | 8  | Tuyau ultraflexible         |
| 3 | Roue                   | 9  | Cordon d'alimentation       |
| 4 | Entrée d'eau           | 10 | Panneau frontal             |
| 5 | Réservoir de détergent | 11 | Buse de pulvérisation       |
| 6 | Sortie d'eau           |    |                             |

## 2 AVERTISSEMENTS GÉNÉRAUX DE SÉCURITÉ DES OUTILS ÉLECTRIQUES

### ▲ AVERTISSEMENT

Prenez toujours les précautions de base suivantes lorsque vous utilisez ce produit :

Conservez tous les avertissements et instructions pour référence ultérieure.

Le terme « outil électrique » dans les avertissements se réfère à votre outil électrique alimenté (cordés).

### 2.1 CONSIGNES DE SÉCURITÉ GÉNÉRALES POUR L'OUTIL ÉLECTRIQUE

- Cette machine n'est pas conçue pour être utilisée par des personnes (y compris les enfants) dont les capacités physiques, sensorielles ou mentales sont réduites, ou des personnes dénuées d'expérience ou de connaissance, sauf si elles ont pu bénéficier, par l'intermédiaire d'une personne responsable de leur sécurité, d'une surveillance ou d'instructions préalables concernant l'utilisation de la machine. Il convient de surveiller les enfants pour s'assurer qu'ils ne jouent pas avec la machine.
- Apprenez les applications et les limites de la machine ainsi que les dangers potentiels spécifiés liés à cet outil en étudiant ce manuel.
- Ne faites jamais fonctionner la machine si une protection ou un couvercle est enlevé ou endommagé.
- N'utilisez pas la machine sous l'influence de drogues, d'alcool ou de tout autre médicament.
- Ne portez pas de vêtements amples, de gants, de cravates ou de bijoux. Ils pourraient se coincer et attirer votre corps vers des pièces mobiles.
- Il est recommandé de porter des gants en caoutchouc et des chaussures antidérapantes pour travailler à l'extérieur. Portez également une couverture protectrice pour contenir les cheveux longs. Portez des chaussures qui protégeront vos pieds et amélioreront votre adhérence sur les surfaces glissantes.
- Ne visez pas trop haut et ne restez pas sur un support instable. Restez toujours d'aplomb et gardez constamment un bon équilibre.
- Vérifiez la zone de travail avant chaque utilisation. Retirez tous les objets tels que les pierres, le verre brisé, les clous, le fil de fer ou la ficelle qui peuvent être projetés ou s'emmêler dans la machine.
- Évitez les environnements dangereux. N'utilisez pas cette machine sous la pluie. Veillez à ce que l'aire de travail soit bien éclairée.
- Avant de commencer toute opération de nettoyage, fermez les portes et les fenêtres. Débarrassez la zone à nettoyer des débris, jouets, meubles d'extérieur ou autres objets qui pourraient créer un danger.
- N'utilisez pas la machine à proximité de personnes, sauf si elles portent des vêtements de protection.

### 2.2 ALERTES DE SÉCURITÉ ÉLECTRIQUE

- Débranchez l'alimentation électrique avant d'effectuer tout entretien de l'utilisateur sur la machine.
- Utilisez uniquement des rallonges dont les raccords sont étanches et qui sont destinées à un usage extérieur. Utilisez uniquement des rallonges dont la puissance électrique n'est pas inférieure à celle du produit.

Examinez la rallonge avant de l'utiliser et remplacez-la si elle est endommagée. Ne maltraitez pas la rallonge et ne tirez sur aucun câble pour le débrancher. Veillez à ce que le câble d'alimentation reste éloigné des sources de chaleur et des arêtes coupantes. Débranchez toujours la rallonge de la prise de courant avant de débrancher le produit de la rallonge.

- N'utilisez pas la machine si un câble d'alimentation ou des pièces importantes de la machine sont endommagés, par exemple les dispositifs de sécurité, les tuyaux à haute pression ou le pistolet à gâchette.
- Des rallonges inadaptées peuvent être dangereuses.
- Pour réduire le risque d'électrocution, gardez toutes les connexions sèches et hors tension. Ne touchez pas la prise avec les mains mouillées.
- Prenez soin du câble d'alimentation. N'utilisez jamais le câble pour porter la machine et ne tirez pas dessus pour débrancher la fiche d'une prise de courant. Veillez à ce que le câble d'alimentation reste éloigné des sources de chaleur, de l'huile, des bords coupants et des pièces mobiles. Si un câble est endommagé, remplacez-le immédiatement. Les câbles endommagés augmentent le risque de choc électrique.
- Inspectez les rallonges périodiquement, et remplacez-les si elles sont endommagées. Veillez à ce que les poignées restent propres, sèches et exemptes d'huile et de graisse.

## 2.3 AVERTISSEMENTS DE SÉCURITÉ DU PULVÉRISATEUR PUISSANT

- Lisez toutes les instructions avant d'utiliser le produit.
- Afin de réduire les risques de blessure, une surveillance étroite est essentielle lorsqu'un produit est utilisé en présence d'enfants.
- Apprenez comment éteindre le produit et abaisser la pression rapidement. Familiarisez-vous avec les commandes.
- Soyez vigilant et faites attention à ce que vous faites.
- N'utilisez pas le produit si vous êtes fatigué ou sous l'influence de l'alcool ou de drogues.
- Gardez toute personne à l'écart de la zone de travail.
- Ne vous penchez pas trop en avant et ne vous tenez pas sur un support instable. Gardez une position stable et un bon équilibre en tout temps.
- Suivez les instructions d'entretien spécifiées dans le manuel.
- Un disjoncteur de fuite à la terre intégré dans la fiche du cordon d'alimentation est fourni avec ce produit. Si vous devez remplacer la fiche ou le cordon d'alimentation, n'utilisez que des pièces de rechange identiques.
- Risque d'injection ou de blessure : ne pas diriger de vapeur vers les personnes.
- Gardez le moteur à l'écart des matières inflammables et autres matières dangereuses.
- Veillez à ce que l'appareil reste sec, propre et exempt d'huile et de graisse. Utilisez toujours un chiffon propre pour le nettoyage. N'utilisez jamais de liquide de freins,

d'essence, de produits à base de pétrole ou de solvants pour nettoyer l'appareil.

### ▲ AVERTISSEMENT

Pour réduire le risque d'électrocution, maintenez tous les raccords secs et hors du sol. Ne touchez pas la fiche avec les mains mouillées.

## 2.4 PROTECTION CONTRE LES DISJONCTEURS DE FUITE À LA TERRE

Ce pulvérisateur puissant est muni d'un disjoncteur différentiel de fuite à la terre (DDFT) intégré dans la fiche du cordon d'alimentation. Cet appareil offre une protection supplémentaire contre le risque de choc électrique. Si le remplacement de la fiche ou du cordon d'alimentation s'avère nécessaire, n'utilisez que des pièces de rechange identiques incluant la protection du disjoncteur de fuite à la terre.

## 2.5 ENTRETIEN D'UN APPAREIL À DOUBLE ISOLATION

- Dans un produit à double isolation, deux systèmes d'isolation sont prévus au lieu de la mise à la terre. Aucun moyen de mise à la terre n'est prévu sur un produit à double isolation, et aucun moyen de mise à la terre ne doit être ajouté au produit. L'entretien d'une machine à double isolation nécessite une attention extrême et une connaissance du système, et ne doit être effectué que par un technicien d'entretien qualifié. Les pièces de rechange d'un produit à double isolation doivent être identiques aux pièces qu'elles remplacent. Un produit à double isolation est marqué avec les mots « DOUBLE ISOLATION » ou « DOUBLE ISOLATION ».

## 2.6 RALLONGES ÉLECTRIQUES

- N'utilisez que des rallonges destinées à un usage extérieur. Ces rallonges sont accompagnées de la mention « Acceptable for use with outdoor appliances; store indoors while not in use » (acceptable pour une utilisation avec les appareils extérieurs ; entreposer à l'intérieur lorsque la rallonge n'est pas utilisée). N'utilisez que des rallonges dont la puissance électrique ne doit pas être inférieure à celle du produit. N'utilisez pas de rallonges endommagées. Examinez la rallonge avant de l'utiliser et remplacez-la si elle est endommagée. N'abusez pas de la rallonge et ne tirez jamais sur un cordon pour le débrancher. Éloignez le cordon de la chaleur et des bords tranchants. Débranchez toujours la rallonge de la prise avant de débrancher l'appareil de la rallonge.

## 2.7 SÉCURITÉ DES ENFANTS








Des accidents tragiques peuvent se produire si l'opérateur n'est pas au courant de la présence des enfants.





- Éloignez les enfants de la zone de travail et placez-les sous la surveillance d'un adulte responsable.

- Ne laissez pas un enfant de moins de 14 ans utiliser cette machine. Les enfants de 14 ans et plus doivent lire et comprendre les instructions d'utilisation et les règles de sécurité contenues dans ce manuel et doivent être formés et supervisés par un parent.
- Restez vigilant et éteignez la machine si un enfant ou une autre personne entre dans la zone de travail.
- Soyez extrêmement prudent lorsque vous vous approchez d'un angle mort, d'une porte, d'un arbuste, d'un arbre ou de tout autre objet qui pourrait masquer la vue d'un enfant qui pourrait se heurter à la machine.

## 2.8 SYMBOLES FIGURANT SUR LA MACHINE



Certains des symboles suivants peuvent être utilisés sur cet outil. Veuillez les étudier et apprendre leur signification. Une bonne interprétation de ces symboles vous permettra de mieux utiliser l'outil et de manière plus sécuritaire.

Symbole	Explication
	Pour réduire les risques de blessures, l'utilisateur doit lire et comprendre le manuel d'utilisation avant d'utiliser ce produit.
	Ne pas exposer la machine à la pluie ou à l'humidité.
	Portez toujours des lunettes de protection ou des lunettes de sécurité avec écrans latéraux et, au besoin, un écran facial intégral lorsque vous utilisez ce produit.
	Pour réduire le risque d'injection ou de blessure, ne dirigez jamais un jet d'eau vers des personnes ou des animaux domestiques et ne placez aucune partie du corps dans le jet. Les tuyaux et raccords qui fuient peuvent également causer des blessures par injection. Ne pas tenir les tuyaux ou les raccords.
	Pour réduire le risque de blessure par rebond, tenez fermement la lance avec les deux mains lorsque la machine est en marche.
	Le non-respect des consignes de sécurité et de l'utilisation dans des conditions sèches peut entraîner un choc électrique.
	Le carburant et ses vapeurs sont explosifs et peuvent causer de graves brûlures ou la mort.

Symbole	Explication
	Avertissement! Ne jamais pointer le pistolet vers des personnes, des animaux, le corps de la machine, l'alimentation électrique ou tout autre appareil électrique.
	L'appareil ne convient pas pour le raccordement au réseau d'eau potable sans disconnecteur.
	N'utilisez le plateau de nettoyage que sur des surfaces planes et horizontales. Ne jamais soulever le plateau de lavage de la surface de nettoyage pendant l'utilisation du pulvérisateur puissant.
	Éloignez les mains et les pieds du plateau de nettoyage lorsque le pulvérisateur puissant est en marche.

## 2.9 NIVEAUX DE RISQUES

Les termes de mise en garde suivants et leur signification ont pour but d'expliquer les niveaux de risques associés à l'utilisation de ce produit.

SYMBOLE	SIGNAL	SIGNIFICATION
	DANGER	Indique une situation dangereuse imminente qui, si elle n'est pas évitée, peut entraîner la mort ou des blessures graves.
	AVERTISSEMENT	Indique une situation potentiellement dangereuse qui, si elle n'est pas évitée, peut entraîner la mort ou des blessures graves.
	MISE EN GARDE	Indique une situation potentiellement dangereuse qui, si elle n'est pas évitée, pourrait causer des blessures mineures ou modérées.
	MISE EN GARDE	(Sans symbole d'alerte de sécurité) indique une situation pouvant entraîner des dommages matériels.

## 2.10 PROPOSITION 65

### ▲ AVERTISSEMENT

Ce produit contient un produit chimique connu dans l'état de Californie comme étant une cause de cancer, de malformations congénitales ou d'autres problèmes de reproduction. Certaines poussières produites par le ponçage mécanique, le sciage, le meulage, le perçage et d'autres activités de construction contiennent des produits chimiques connus pour causer le cancer, des malformations congénitales ou d'autres problèmes de reproduction. Voici quelques exemples de ces produits chimiques :

- Plomb provenant de peintures à base de plomb;
- Silice cristalline provenant de briques, de ciment et d'autres produits de maçonnerie;
- Arsenic et chrome provenant de bois traité chimiquement.

Votre risque d'exposition à ces produits chimiques varie selon la fréquence à laquelle vous faites ce type de travail. Pour réduire votre exposition à ces produits chimiques, travaillez dans un endroit bien ventilé et utilisez un équipement de sécurité approuvé, comme des masques anti-poussière spécialement conçus pour filtrer les particules microscopiques.

Conservez ces instructions.

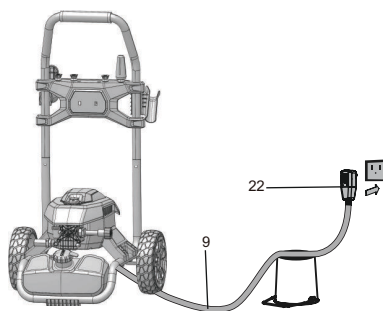
## 3 INSTALLATION

### 3.1 CONNEXION ÉLECTRIQUE

Cette machine est équipée d'un moteur électrique construit avec précision. Elle doit être connectée à une alimentation de 120 V, 60 Hz, CA uniquement (domestique). N'utilisez pas cette machine avec du courant continu (C.C). Une chute de tension importante entraînera une perte de puissance et le moteur surchauffera.

#### 3.1.1 PRÉPAREZ UNE BOUCLE D'ÉGOUTTEMENT

Recommandez l'utilisation d'une boucle d'égouttement comme indiqué ci-dessous afin d'éviter que l'eau ne puisse pas couler le long du cordon d'alimentation et jusqu'à atteindre même la prise de courant et la fiche.



### ▲ AVERTISSEMENT

Gardez la rallonge électrique à l'écart de la zone de travail. Placez le cordon de manière à ce qu'il ne se coince pas dans le bois, les outils ou d'autres obstructions lorsque vous travaillez avec un outil électrique. Le non-respect de cette consigne peut entraîner des blessures corporelles.

## 3.2 DÉBALLER LA MACHINE

### ▲ AVERTISSEMENT

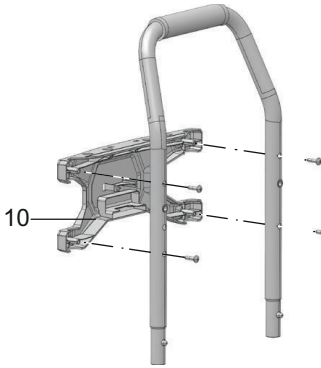
Assurez-vous d'assembler correctement la machine avant de l'utiliser.

### ▲ AVERTISSEMENT

- Si les pièces de la machine sont endommagées, ne l'utilisez pas.
- Si vous n'avez pas toutes les pièces, n'utilisez pas la machine.
- Si des pièces sont endommagées ou manquantes, communiquez avec le centre de service.

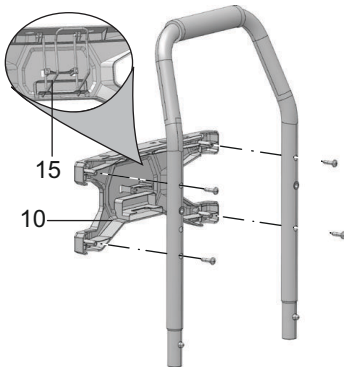
1. Ouvrez l'emballage.
2. Lisez la documentation contenue dans la boîte.
3. Retirez toutes les pièces non assemblées de la boîte.
4. Retirez la machine de sa boîte.
5. Jetez la boîte et l'emballage conformément aux règlements locaux.

### 3.3 INSTALLEZ LE PANNEAU SUPÉRIEUR



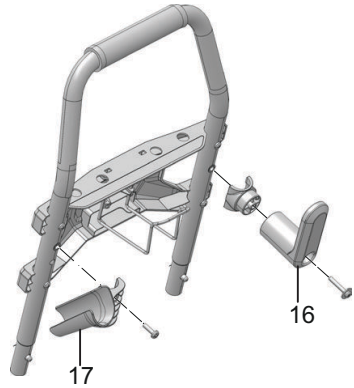
1. Alignez les manchons de vis du panneau frontal (10) aux trous de vis sur la poignée supérieure.
2. Poussez les vis à travers les manchons et serrez-les.

### 3.4 INSTALLEZ LE CROCHET DU TUYAU D'ARROSAGE



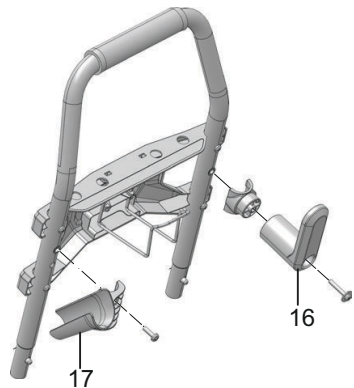
1. Enfoncez fermement les extrémités du crochet du tuyau (15) dans les attaches situées derrière le panneau frontal (10).

### 3.5 INSTALLEZ LE SUPPORT DU PISTOLET PULVÉRISATEUR



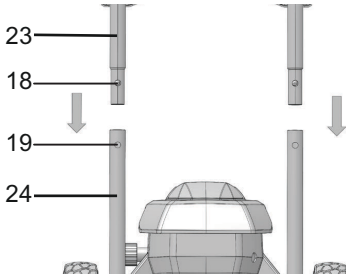
1. Alignez les manchons de vis du support du pistolet pulvérisateur (17) aux trous de vis sur la poignée supérieure.
2. Poussez les vis à travers les manchons et serrez-les.

### 3.6 INSTALLEZ LE LEVIER D'ENTREPOSAGE DU CORDON D'ALIMENTATION



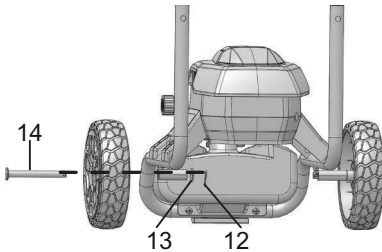
1. Fixez le levier d'entreposage du cordon d'alimentation (16) sur le support.
2. Alignez la vis sur le trou du levier d'entreposage du cordon d'alimentation (16).
3. Poussez la vis et serrez-la.

### 3.7 INSTALLEZ LA POIGNÉE SUPÉRIEURE



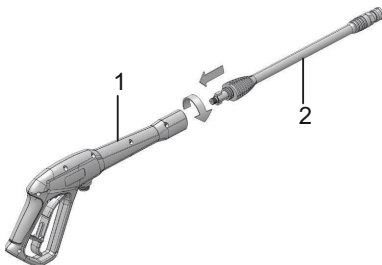
1. Appuyez sur le bouton de verrouillage de la poignée supérieure (18) et maintenez-le enfoncé (23).
2. Placez la poignée supérieure (23) dans la poignée (24) inférieure jusqu'à ce que le bouton de verrouillage de la poignée (18) s'enclenche dans la fente (19).

### 3.8 INSTALLEZ LES ROUES



1. Insérez un essieu (14) dans la roue et le cadre de la poignée.
2. Fixez une rondelle (13) à l'essieu (14).
3. Placez une goupille fendue (12) dans le trou de l'essieu (14).

### 3.9 INSTALLEZ LA LANCE



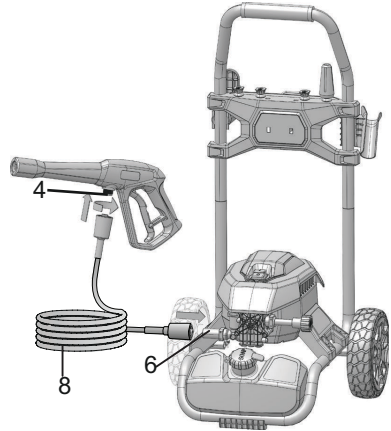
1. Poussez l'extrémité de la lance (2) dans la poignée du pistolet (1).

2. Tournez la lance (2) dans le sens des aiguilles d'une montre jusqu'à ce que les languettes se verrouillent en position.

#### ▲ AVERTISSEMENT

Assurez-vous que le raccordement ne présente aucune fuite.

### 3.10 INSTALLEZ LE TUYAU ULTRAFLEXIBLE



1. Poussez et tournez dans le sens des aiguilles d'une montre l'une des extrémités du tuyau ultraflexible (8) dans le coupleur d'entrée (4).
2. Installez et serrez l'autre extrémité du tuyau ultraflexible sur le coupleur de sortie d'eau (6).

## 4 UTILISATION

#### ▲ AVERTISSEMENT

Assurez-vous que tous les raccords sont bien serrés et qu'il n'y a pas de fuite avant de les utiliser.

### 4.1 CONNEXION DE L'ALIMENTATION EN EAU À LA MACHINE

Pour faciliter l'utilisation, veuillez utiliser un tuyau d'arrosage à enroulement automatique (non fourni).

#### ▲ AVERTISSEMENT

Lorsque vous utilisez le tuyau à enroulement automatique, assurez-vous qu'il n'est pas obstrué.

## ▲ AVERTISSEMENT

- L'alimentation en eau doit provenir de la conduite d'eau principale.
- N'utilisez pas de l'eau chaude.
- N'utilisez de l'eau des étangs ou des lacs.

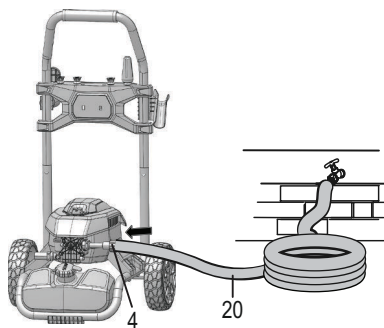
## ▲ AVERTISSEMENT

Respectez les réglementations locales lorsque vous raccordez le tuyau d'arrosage à l'alimentation en eau. Le raccordement direct à un réservoir récepteur ou à un disconnecteur est généralement autorisé.

## ▲ ATTENTION

Inspectez le filtre dans le raccord d'entrée d'eau avant de brancher le tuyau d'arrosage.

- Si le filtre est endommagé, n'utilisez pas la machine avant de l'avoir remplacé.
- Si le filtre est sale, nettoyez-le.

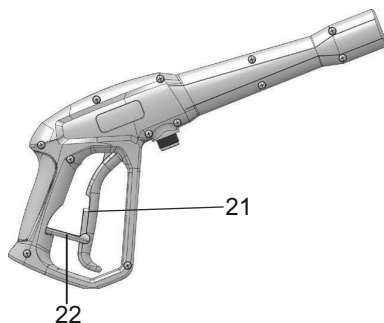


1. Déroulez le tuyau d'arrosage (20).
2. Laissez couler l'eau à travers le tuyau d'arrosage (20) pendant 30 secondes.
3. Fermez le robinet de la conduite d'alimentation.
4. Installez et serrez l'extrémité du tuyau d'arrosage (20) sur le raccord d'entrée d'eau (4).

## ▲ ATTENTION

Il doit y avoir un minimum de 3 m de tuyau libre entre l'entrée d'eau et la conduite d'alimentation.

## 4.2 UTILISEZ LE PISTOLET PULVÉRISATEUR



## ▲ AVERTISSEMENT

Pour un contrôle sécuritaire, gardez vos mains sur le pistolet en tout temps.

- Tirez sur la gâchette du pistolet (21) et maintenez-la enfoncée pour démarrer la machine.
- Relâchez la gâchette du pistolet pulvérisateur (21) pour arrêter l'écoulement de l'eau à travers la buse (11).

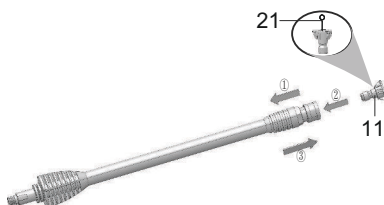
### 4.2.1 DÉVERROUILLEZ LA GÂCHETTE DU PISTOLET

- Poussez le verrou de sécurité de la gâchette (22) vers le bas jusqu'à ce qu'il s'enclenche dans la fente.

### 4.2.2 VERROUILLEZ LA GÂCHETTE DU PISTOLET

- Poussez le verrou de sécurité de la gâchette (22) vers le haut, dans sa position d'origine.

## 4.3 CHANGEZ LA BUSE DE PULVÉRISATION



## ▲ AVERTISSEMENT





Avant de changer la buse de pulvérisation :

1. Appuyez sur la gâchette du pistolet pour relâcher la pression d'eau.
2. Enclenchez le verrou de sécurité de la gâchette du pistolet de pulvérisation.
3. Arrêtez la machine.

## ▲ AVERTISSEMENT

Ne pointez pas la lance sur votre visage ou sur celui de autres.

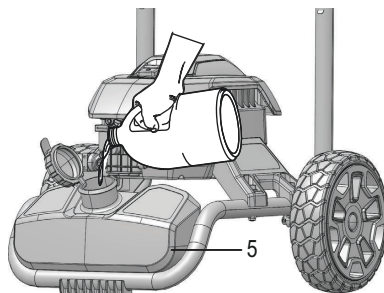
### 4.3.1 TYPE DE BUSE

BUSE DE PULVÉRISATION	APPLICATION
 25°	<p><b>Vert - extrémité large (25°)</b></p> <ul style="list-style-type: none"> <li>L'extrémité vert du pulvérisateur puissant offre une grande polyvalence grâce à son angle de 25 degrés. On l'appelle l'embout de lavage, parce qu'il fournit une pression adéquate pour enlever la saleté des surfaces, mais il est conçu pour ne pas endommager de nombreuses surfaces. Cet embout de pulvérisateur puissant est conçu pour « balayer » le feuillage ou les débris en raison de son grand angle. Cet embout est polyvalent grâce à sa large zone de nettoyage et à sa forte pression d'application.</li> </ul>
 40°	<p><b>Blanc - extrémité large (40°)</b></p> <ul style="list-style-type: none"> <li>L'extrémité blanche avec un angle de 40 degrés, appelée l'extrémité du « ventilateur », crée la zone de nettoyage la plus large avec une pression relativement basse. Cet embout de pulvérisateur puissant est idéal pour les applications de nettoyage légères ou délicates. Il est recommandé pour le nettoyage léger des terrasses en bois et autres surfaces moues ou délicates.</li> </ul>
 SOAP	<p><b>Buse de savon noir</b></p> <ul style="list-style-type: none"> <li>La buse de pulvérisation de savon noir est utilisée pour l'application de savon. Le savon est appliqué sous un volume élevé sous basse pression pour une performance optimale. Le savon ne peut pas être appliqué sous haute pression avec cette machine.</li> </ul>
	<p><b>Embout de buse Turbo</b></p> <ul style="list-style-type: none"> <li>La buse tourne de zéro à 15 degrés en un mouvement circulaire pour éliminer la saleté et les saletés tenaces. Le jet de pulvérisation peut couvrir une surface de 4 à 8 pouces de largeur, selon la distance entre la buse et la surface à nettoyer.</li> </ul>

### 4.3.2 INSTALLEZ LA BUSE DE LA LANCE

- Tirez le collier à raccord rapide sur la baguette de vaporisation (2).
- Insérez la buse (11) dans la lance (2).
- Relâchez le collier à raccord rapide pour fixer la buse de pulvérisation (11).
- Tirez le bout de la buse de pulvérisation (11) pour s'assurer qu'elle est bien installée et qu'elle ne se détache pas.

### 4.4 AJOUTEZ DU DÉTERGENT



## ▲ AVERTISSEMENT

N'utilisez pas de détergents ménagers, d'acides, d'alcalis, d'agents de blanchiment, de solvants, de matières inflammables ou de solutions de qualité industrielle, qui pourraient endommager la pompe.

## ▲ AVERTISSEMENT

Suivez les instructions sur le flacon de solution pour préparer le détergent.

## i REMARQUE

Si nécessaire, utilisez un entonnoir pour éviter le déversement de détergent. Nettoyez et séchez le détergent renversé pendant le remplissage.

## i REMARQUE

Le savon / détergent ne peut être appliqué avec cette machine que lorsque la buse noire (75 degrés) est installée.

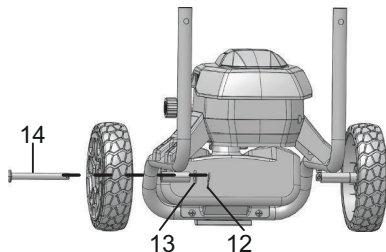
- Placez la machine verticalement sur une surface plane.
- Ouvrez le bouchon du réservoir de détergent (5).
- Versez le détergent dans le réservoir de détergent (5).
- Fermez le bouchon.

## i REMARQUE

Ne laissez pas sécher le détergent sur la surface pour éviter les traces.



## 4.5 DÉMARREZ LA MACHINE



### ▲ ATTENTION

Ne pas utiliser l'appareil sans que l'alimentation en eau ne soit raccordée.

### ▲ ATTENTION

Avant de démarrer la machine:

1. Ouvrez le robinet de la conduite d'alimentation.
2. Appuyez sur la gâchette du pistolet pour relâcher la pression d'air.
3. Si un jet d'eau stable est visible, relâchez la gâchette du pistolet pulvérisateur.

1. Connectez la machine à l'alimentation électrique.
2. Mettez l'interrupteur d'alimentation sur la position « ON » (I).
3. Ouvrez le robinet de la conduite d'alimentation.
4. Verrouillez la gâchette du pistolet pulvérisateur.

## 4.6 ARRÊTEZ LA MACHINE

1. Relâchez la gâchette du pistolet pulvérisateur.
2. Appuyez de nouveau fois sur l'interrupteur ON/OFF vers le bas pour mettre l'interrupteur d'alimentation en position « OFF » (O).

### ▲ AVERTISSEMENT

Si vous n'utilisez pas la machine:

- Arrêtez la machine.
- Fermez le robinet de la conduite d'alimentation.
- Débranchez le câble d'alimentation de la prise.
- Appuyez sur la gâchette du pistolet pour relâcher la pression restante de la machine.
- Enclenchez le verrou de sécurité de la gâchette du pistolet de pulvérisation.

## 5 ENTRETIEN

### ▲ AVERTISSEMENT

Avant d'effectuer l'entretien, assurez-vous que

- La machine est arrêtée.
- Attendez que toutes les pièces se soient immobilisées.
- Déconnectez la fiche de la source d'alimentation.

### ▲ AVERTISSEMENT

N'utilisez pas de solvants ou de détergents puissants sur le boîtier ou les composants en plastique.

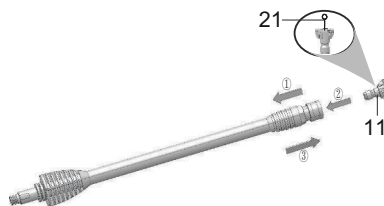
### ▲ AVERTISSEMENT

Évitez que les liquides de freins, l'essence et les matériaux à base de pétrole ne viennent en contact avec les pièces en plastique. Les produits chimiques peuvent endommager le plastique et le rendre inutilisable.

### ▲ AVERTISSEMENT

Faites remplacer le cordon d'alimentation par un centre de service certifié.

## 5.1 ENTRETIEN DE LA BUSE DE PULVÉRISATION



Si la pression de la pompe est trop élevée, la buse de pulvérisateur peut s'obstruer, vous pouvez sentir une sensation de pulsation lorsque vous appuyez sur la gâchette du pistolet.

### 5.1.1 RETIREZ LA BUSE DE PULVÉRISATION

1. Tirez le collier à raccord rapide sur la baguette de vaporisation (2).
2. Retirez la buse de pulvérisation (11) de la lance (2).

### 5.1.2 NETTOYEZ LA BUSE DE PULVÉRISATION

1. Utilisez un trombone droit ou un outil de nettoyage (21) pour nettoyer la buse de pulvérisation (11).
2. Rincez et éliminez les matières indésirables hors de la buse de pulvérisation (11) avec le tuyau de jardin (20).
3. Remettez la buse de pulvérisation propre (11) dans la lance (2).

## 6 TRANSPORT ET ENTREPOSAGE

### ▲ AVERTISSEMENT

Débranchez le cordon d'alimentation et le tuyau d'alimentation d'eau avant le transport et l'entreposage.

### 6.1 DÉPLACEZ LA MACHINE

- Dirigez la lance dans une direction sécuritaire.
- Tenez la machine uniquement avec la poignée.

### 6.2 ENTREPOSER LA MACHINE

### ▲ AVERTISSEMENT

Assurez-vous que le pistolet pulvérisateur, le tuyau ultraflexible et la pompe sont secs.

### ▲ AVERTISSEMENT

Assurez-vous que la machine est hors de la portée des enfants.

### i REMARQUE

Utilisez un protecteur de pompe recommandé pour prévenir les dommages causés par le froid pendant l'entreposage en hiver.

- Débranchez le tuyau d'arrosage de la machine.
- Enroulez le cordon d'alimentation et le tuyau ultraflexible.
- Nettoyez le boîtier et les composants en plastique avec un chiffon doux et humide.
- Assurez-vous que la machine n'a pas de pièces mal fixées ou endommagées. Au besoin, suivez ces étapes/instructions :
  - Remplacez les pièces endommagées.
  - Serrez les boulon.
  - Au besoin, appelez le service à la clientèle (entrez le numéro de téléphone ici) pour obtenir des instructions d'entretien.
- Entrez la machine dans un endroit sec, isolé et à l'abri du gel.

## 7 DÉPANNAGE


PROBLÈME	CAUSE POSSIBLE	SOLUTION
Le moteur ne démarre pas.	Le bouton de mise marche est en position ARRÊT (O).	Mettez l'interrupteur d'alimentation sur la position « ON » (I).
	Le cordon d'alimentation n'est pas branché.	Connectez le cordon d'alimentation à l'alimentation électrique.
	La prise électrique ne fournit pas suffisamment d'énergie.	Essayez une autre prise électrique.
	Le disjoncteur est déclenché.	Laissez refroidir et redémarrez la machine.
	L'interrupteur d'alimentation est en marche, mais vous n'avez pas appuyé sur la gâchette du pistolet pulvérisateur.	Verrouillez la gâchette du pistolet pulvérisateur.
La machine n'atteint pas une haute pression.	Le diamètre du tuyau d'arrosage est trop petit.	Remplacez-le par un tuyau d'arrosage de 1" (25 mm) ou 5/8" (16 mm).
	La conduite d'alimentation est fermée.	Vérifiez que le tuyau d'arrosage n'est pas plié, qu'il ne coule pas et qu'il n'est pas bouché.
	L'alimentation d'eau n'est pas suffisante.	Ouvrez complètement l'arrivée d'eau.
	La buse de pulvérisation n'a pas été correctement installée sur la lance.	Installez la buse de pulvérisation désirée au bout de la lance.
	Le filtre d'entrée d'eau est bouché.	Retirez le filtre et rincez-le dans de l'eau chaude.

PROBLÈME	CAUSE POSSIBLE	SOLUTION
La pression de sortie varie entre haute et basse.	L'alimentation d'eau n'est pas suffisante.	Ouvrez complètement l'arrivée d'eau. Vérifiez que le tuyau d'arrosage n'est pas plié, qu'il ne coule pas ou qu'il n'est pas bouché.
	La pompe aspire de l'air.	<ol style="list-style-type: none"> <li>1. Assurez-vous que les tuyaux et les raccords sont étanches à l'air.</li> <li>2. Arrêtez la machine « OFF ».</li> <li>3. Purgez la pompe en appuyant sur la gâchette du pistolet jusqu'à ce qu'un débit d'eau constant sorte de la buse de pulvérisation.</li> </ol>
	Le filtre d'entrée d'eau est bouché.	Retirez le filtre et rincez-le dans de l'eau chaude.
	La tension d'alimentation est basse.	Assurez-vous que seul le pulvérisateur puissant fonctionne sur le circuit.
	Le pistolet, le tuyau ou la buse sont calcifiés.	Faites circuler un peu de vinaigre distillé dans le réservoir de détergent.

PROBLÈME	CAUSE POSSIBLE	SOLUTION
Le moteur vibre, mais vous ne parvenez pas à démarrer la machine.	La tension d'alimentation est basse.	Assurez-vous que seul le pulvérisateur puissant fonctionne sur le circuit.
	Le système de pompe a une pression résiduelle.	<ol style="list-style-type: none"> <li>1. Arrêtez la machine.</li> <li>2. Appuyez sur la gâchette du pistolet sur la lance pour relâcher la pression.</li> <li>3. Démarrez la machine.</li> </ol>
	Perte de tension due à l'utilisation d'une rallonge inappropriée.	Débranchez la rallonge et branchez l'appareil directement dans la prise de courant.
	Pulvérisateur puissant non-utilisé pendant une longue période.	Appelez le service à la clientèle.
	Frottement résiduel entre les composants. L'appareil peut émettre un bourdonnement.	<ol style="list-style-type: none"> <li>1. Déconnectez la conduite d'alimentation.</li> <li>2. Mettez la machine sous tension pendant 2 à 3 secondes.</li> <li>3. Répétez l'étape ci-dessus plusieurs fois ou jusqu'à ce que le moteur démarre.</li> </ol>
Il n'y a d'eau.	La conduite d'alimentation est fermée.	Ouvrez le robinet de la conduite d'alimentation.
	Le tuyau d'arrosage est plié.	Enlevez le coude du tuyau d'arrosage.

## 8 DONNÉES TECHNIQUES

Moteur universel	120 V~ 60 Hz, 13 Amps
Pression maximale en livres par pouce carré	1800 PSI
Gallons évalués par minute	1.1 GPM

Température maximale de l'eau à l'entrée	104 °C (40 °F)
Appareils de nettoyage	1,980 C.U.
Poids	27 lb. (12.35 kg)
	Conception à double isolation.

garantie, à moins qu'un tel retour soit demandé par écrit par Greenworks.

**Adresse aux États-Unis : Adresse au Canada :**

Greenworks Tools      Greenworks Tools Canada Inc.  
 P.O. Box 1238      P.O. Box 93095, Newmarket,  
    Ontario  
 Mooresville, NC 28115      L3Y 8K3

## 9 GARANTIE LIMITÉE



Greenworks garantit par la présente ce produit, à l'acheteur original avec preuve d'achat, pour une période de trois (3) ans contre tout défaut de matériaux, de pièces ou de main-d'œuvre. Greenworks, à sa propre discrétion, réparera ou remplacera toutes les pièces défectueuses, dans des conditions normales d'utilisation, sans frais pour le client. Cette garantie n'est valable que pour les appareils qui ont été utilisés à des fins personnelles, qui n'ont pas été loués à des fins industrielles ou commerciales et qui ont été entretenus conformément aux instructions du manuel du propriétaire fourni avec le produit neuf.

### ARTICLES NON COUVERTS PAR LA GARANTIE :

1. Toute pièce qui est devenue inopérante en raison d'une mauvaise utilisation, d'une utilisation commerciale, d'un abus, d'une négligence, d'un accident, d'un entretien inapproprié ou d'une modification; ou
2. L'appareil, s'il n'a pas été utilisé et/ou entretenu conformément au manuel du propriétaire; ou
3. Usure normale;
4. Articles d'entretien courant tels que lubrifiants, affûtage des lames;
5. Détérioration normale du fini extérieur due à l'utilisation ou à l'exposition.

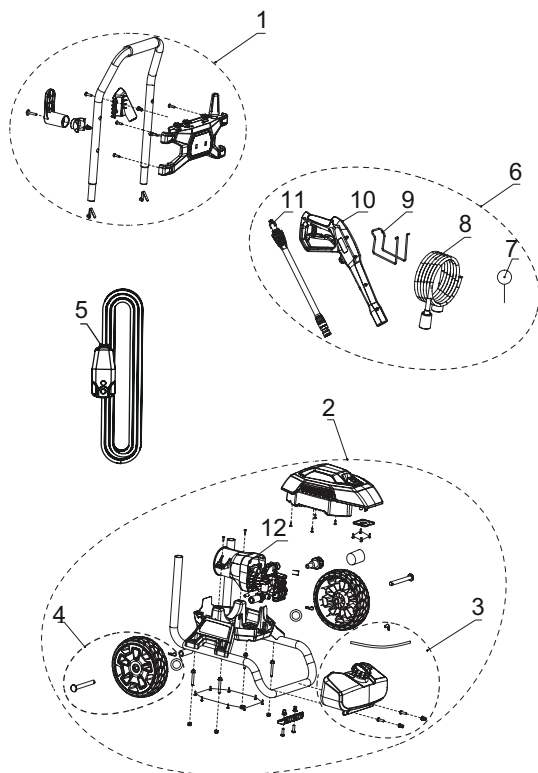
### ASSISTANCE TÉLÉPHONIQUE :

Le service de garantie est accessible en appelant notre ligne d'assistance téléphonique sans frais, au 1-888-909-6757.

### FRAIS DE TRANSPORT :

Les frais de transport pour le déplacement de tout équipement motorisé ou accessoire sont à la charge de l'acheteur. Il incombe à l'acheteur de payer les frais de transport pour toute pièce retournée pour remplacement en vertu de la présente

## 10 VUE ÉCLATÉE



No de réf.	No de pièce	Description	Qté
1	311023613	Ensemble de la partie supérieure du guidon	1
2	311043613	Ensemble de la partie inférieure de la poignée	1
3	311053613	Réservoir de savon	1
4	311063613	Ensemble de roues	1
5	311093613	Ensemble du cordon d'alimentation	1
6	311103613	Ensemble d'accessoires	1
7	33201671	Outil de nettoyage de buses de pulvérisation	1
8	311311635	Tuyau ultraflexible	1
9	333011936	Crochet du tuyau d'arrosage	1
10	C1101896-00	Pistolet	1
11	31115661	Lance du pistolet	1

# Français

FR

12	311113613	Ensemble du moteur	1
----	-----------	--------------------	---

<b>1</b>	<b>Descripción.....</b>	<b>32</b>			
1.1	Finalidad.....	32	3.6	Instalación del brazo de almacenamiento del cable de alimentación.....	36
1.2	Perspectiva general.....	32	3.7	Instalación del asa superior.....	36
<b>2</b>	<b>Advertencias generales de seguridad para herramientas eléctricas.....</b>	<b>32</b>	3.8	Instalación de las ruedas.....	37
2.1	Advertencias de seguridad generales para herramientas eléctricas.....	32	3.9	Instalación de la varilla pulverizadora.....	37
2.2	Advertencias sobre seguridad eléctrica.....	32	3.10	Instalación de la manguera Uberflex.....	37
2.3	Advertencias de seguridad para limpiadores a presión.....	33	<b>4</b>	<b>Funcionamiento.....</b>	<b>37</b>
2.4	Protección de interruptor de circuito de fallo a tierra.....	33	4.1	Conexión del suministro de agua a la máquina.....	37
2.5	Tareas de mantenimiento de un aparato de doble aislamiento.....	33	4.2	Uso de la pistola pulverizadora.....	38
2.6	Cables alargadores.....	33	4.3	Cambio de la punta de pulverización.....	38
2.7	Seguridad infantil.....	33	4.4	Adición de detergente.....	39
2.8	Símbolos en el producto.....	34	4.5	Puesta en marcha de la máquina.....	40
2.9	Niveles de riesgo.....	34	4.6	Detención de la máquina.....	40
2.10	Propuesta 65.....	35	<b>5</b>	<b>Mantenimiento.....</b>	<b>40</b>
<b>3</b>	<b>Instalación.....</b>	<b>35</b>	5.1	Mantenimiento de la punta de pulverización.....	40
3.1	Conexión eléctrica.....	35	<b>6</b>	<b>Transporte y almacenamiento.....</b>	<b>41</b>
3.2	Desembalaje de la máquina.....	35	6.1	Traslado de la máquina.....	41
3.3	Instalación del panel superior.....	35	6.2	Almacenamiento de la máquina.....	41
3.4	Instalación del gancho de la manguera.....	36	<b>7</b>	<b>Solución de problemas.....</b>	<b>41</b>
3.5	Instalación del soporte de la pistola pulverizadora.....	36	<b>8</b>	<b>Datos técnicos.....</b>	<b>42</b>
			<b>9</b>	<b>Garantía limitada.....</b>	<b>43</b>
			<b>10</b>	<b>Vista despiezada.....</b>	<b>44</b>

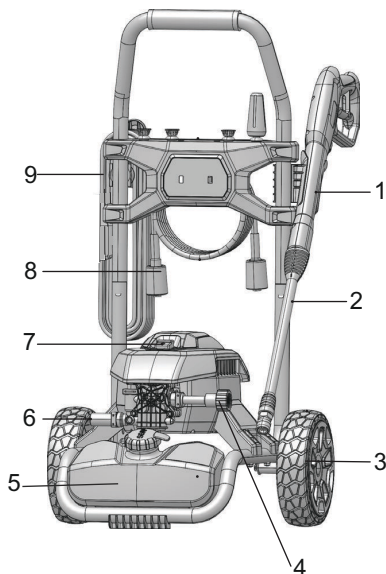
## 1 DESCRIPCIÓN

### 1.1 FINALIDAD

Este aparato se usa para limpiar vehículos, barcos, edificios, porches, cubiertas, patios y caminos de entrada.

Indicado solo para el uso doméstico, no apto para el uso profesional, y no debe funcionar en temperaturas superiores a 32°F (0°C).

### 1.2 PERSPECTIVA GENERAL



- |   |                          |    |                        |
|---|--------------------------|----|------------------------|
| 1 | Pistola pulverizadora    | 8  | Manguera Uberflex      |
| 2 | Varilla pulverizadora    | 9  | Cable de alimentación  |
| 3 | Rueda                    | 10 | Panel delantero        |
| 4 | Entrada de agua          | 11 | Punta de pulverización |
| 5 | Depósito de detergente   |    |                        |
| 6 | Salida de agua           |    |                        |
| 7 | Interruptor de encendido |    |                        |

## 2 ADVERTENCIAS GENERALES DE SEGURIDAD PARA HERRAMIENTAS ELÉCTRICAS

### ▲ AVISO

Cuando utilice este producto, deben seguirse siempre precauciones básicas, incluidas las siguientes:

Guarde todas las advertencias e instrucciones para su consulta posterior.

El término “herramienta eléctrica” empleado en las advertencias se refiere a su herramienta eléctrica con funcionamiento de red (con cable).

### 2.1 ADVERTENCIAS DE SEGURIDAD GENERALES PARA HERRAMIENTAS ELÉCTRICAS

- Esta herramienta no ha sido concebida para ser utilizada por personas (incluidos niños) con discapacidades físicas, sensoriales o mentales, o sin experiencia ni conocimiento del producto, a menos que estén bajo supervisión o hayan recibido instrucciones sobre el uso del aparato por parte de una persona responsable de su seguridad. Los niños deben estar bajo vigilancia para asegurarse de que no juegan con el aparato.
- Conozca las aplicaciones y limitaciones de este aparato así como sus peligros potenciales estudiando su manual.
- No utilizar nunca este aparato con protecciones o cubiertas retiradas o dañadas.
- No utilizar el producto bajo los efectos del consumo de drogas, alcohol o cualquier medicación.
- No llevar puesta ropa suelta, guantes, corbata, ni joyas durante el uso del aparato. Podrían quedar atrapados y arrastrarle hacia las piezas móviles.
- Se recomienda utilizar guantes de goma y calzado antideslizante para trabajar en el exterior. En caso de tener el pelo largo, también debe llevar el pelo cubierto como protección. Utilice calzado que proteja sus pies y mejore su agarre sobre superficies resbaladizas.
- No intente excederse para llegar a puntos de difícil acceso o superficies inestables. Mantenga en todo momento un buen equilibrio y los pies firmemente apoyados en el suelo.
- Inspeccione la zona de trabajo antes de utilizar la herramienta. Retire todos los objetos como piedras, cristales rotos, clavos, alambres, o cuerdas que pudieran salir lanzados o quedar enredados en el aparato.
- Evite cualquier entorno peligroso. No exponer a la lluvia. Mantener la zona de trabajo bien iluminada.
- Antes de iniciar la operación de limpieza, cierre puertas y ventanas. Retire de la zona a limpiar, residuos, juguetes, muebles de exterior, u otros objetos que pudieran suponer un peligro.
- No utilice el aparato cerca de otras personas a menos que utilicen ropa de protección.

### 2.2 ADVERTENCIAS SOBRE SEGURIDAD ELÉCTRICA

- Antes de realizar cualquier tarea de mantenimiento por parte del usuario desconecte el suministro eléctrico.
- Utilice solo cables alargadores con conexiones estancas y concebidos para el uso en el exterior. Utilice solo cables alargadores con características eléctricas no inferiores a las especificadas del producto. Examine el cable



alargador antes de utilizarlo y sustitúyalo si estuviera dañado. No maltrate el alargador eléctrico y no estire del cable para desconectarlo. Mantenga el cable alejado del calor y bordes afilados. Desconecte siempre primero el alargador de la toma de corriente antes de desconectar el producto del alargador.

- No utilice el aparato si el cable de alimentación o cualquier pieza importante del aparato está dañada, por ejemplo dispositivos de seguridad, manguera de alta presión, pistola de gatillo.
- Un alargador eléctrico inadecuado puede ser peligroso.
- Para reducir el riesgo de electrocución, mantenga todas las conexiones secas y fuera del suelo. No toque el enchufe con las manos mojadas.
- No maltrate el cable de alimentación eléctrica. No utilice el cable eléctrico para transportar el producto y tampoco para desconectar el enchufe de la toma de corriente. Mantenga el cable apartado de las fuentes de calor, el aceite, los cantos agudos o las piezas móviles. Si el cable está dañado, deberá ser sustituido inmediatamente. Un cable dañado incrementa el riesgo de una descarga eléctrica.
- Inspeccione periódicamente los cables alargadores y reemplácelos si están dañados. Mantenga los manillares secos, limpios y sin restos de aceite o grasa.

### 2.3 ADVERTENCIAS DE SEGURIDAD PARA LIMPIADORES A PRESIÓN

- Lea todas las instrucciones antes de utilizar el producto.
- Para reducir el riesgo de lesiones, es necesaria una supervisión estrecha cuando se utiliza un producto cerca de niños.
- Debe saber cómo detener el producto y purgar las presiones rápidamente. Familiarícese bien con los controles.
- Manténgase alerta – observe lo que está haciendo.
- No utilice el producto cuando esté cansado o bajo la influencia de alcohol o drogas.
- Mantenga alejadas a las personas de la superficie de trabajo.
- No se estire ni se suba sobre un soporte inestable. Mantenga en todo momento una buena postura y el equilibrio.
- Siga las instrucciones de mantenimiento especificadas en el manual.
- Este producto se suministra con un interruptor de circuito de fallo a tierra integrado en el enchufe del cable de alimentación. Si es necesario sustituir el enchufe o el cable, utilice únicamente piezas de repuesto idénticas.
- Riesgo de inyección o lesión – No dirija el chorro de descarga a las personas.
- Mantenga el motor alejado de materiales inflamables y otros materiales peligrosos.
- Mantenga el producto seco, limpio y sin restos de aceite y grasa. Para la limpieza utilice siempre un paño limpio. Nunca utilice líquidos de frenos, gasolina, productos a

base de petróleo o cualquier otro disolvente para limpiar el producto.

#### ▲ AVISO

Para reducir el riesgo de electrocución, mantenga todas las conexiones secas y alejadas del suelo. No maneje el cable con las manos mojadas.

ES

### 2.4 PROTECCIÓN DE INTERRUPTOR DE CIRCUITO DE FALLO A TIERRA

Este limpiador a presión cuenta con un interruptor de circuito de fallo a tierra (GFCI) incorporado en el enchufe del cable de alimentación. Este dispositivo proporciona protección adicional contra el riesgo de descarga eléctrica. En caso de que sea necesario sustituir el enchufe o el cable, utilice únicamente piezas de repuesto idénticas que incluyan protección GFCI.

### 2.5 TAREAS DE MANTENIMIENTO DE UN APARATO DE DOBLE AISLAMIENTO.

- Un producto con doble aislamiento posee dos sistemas de aislamiento, en vez de una toma a tierra. Sin toma de tierra quiere decir que el producto posee un aislamiento doble, y por ello no debe agregarse ningún medio de toma a tierra al producto. El mantenimiento de un producto con doble aislamiento requiere un cuidado extremo y conocimiento del sistema, y solo debe realizarlo un servicio técnico autorizado. Las piezas de repuesto de un producto con doble aislamiento deben ser idénticas a las piezas que sustituyen. Un producto con doble aislamiento está marcado con las palabras «DOBLE AISLAMIENTO» o «DOBLEMENTE AISLADO».

### 2.6 CABLES ALARGADORES

- Utilice únicamente cables alargadores que se hayan diseñado para uso en exteriores. Estos cables alargadores se identifican con el marcado "Aceptable para su utilización con aparatos de exterior; almacenar en el interior mientras no esté en uso". Utilice únicamente cables alargadores que tengan una potencia eléctrica no inferior a la potencia nominal del producto. No utilice cables eléctricos dañados. Examine el cable alargador antes del uso y sustitúyalo si está dañado. No abuse del cable alargador y no tire de ningún cable para desconectarlo. Mantenga el cable alejado del calor y de los bordes afilados. Desconecte siempre el cable alargador del receptáculo antes de desconectar el producto del cable alargador.








### 2.7 SEGURIDAD INFANTIL





Pueden producirse accidentes trágicos si el operario no es consciente de la presencia de niños.

- Mantenga a los niños fuera de la zona de trabajo y bajo la vigilancia de un adulto responsable.
- No permita que niños menores de 14 años utilicen esta herramienta. Los niños de 14 años y mayores deben leer y entender las instrucciones de funcionamiento y las normas de seguridad que se encuentran en este manual y deben recibir formación y supervisión por parte de uno de sus progenitores.
- Manténgase alerta y apague el aparato si un niño o cualquier otra persona entra en la zona de trabajo.
- Tenga mucho cuidado al acercarse a esquinas ciegas, portales, arbustos, árboles u otros objetos que puedan ocultar su visión de un niño que pueda correr hacia el recorrido del aparato.

## 2.8 SÍMBOLOS EN EL PRODUCTO



En esta herramienta pueden utilizarse algunos de los siguientes símbolos. Le rogamos que los estudie y aprenda su significado. La interpretación correcta de estos símbolos le permitirá manejar la herramienta mejor y de manera más segura.

Símbolo	Explicación
	Para reducir el riesgo de lesiones, el usuario debe leer y entender el manual del operario antes de utilizar este producto.
	No exponga el producto a la lluvia o a condiciones de humedad.
	Lleve siempre gafas de seguridad o anteojos de seguridad con protectores laterales y, en caso necesario, un protector facial completo cuando utilice este producto.
	Para reducir el riesgo de inyección o lesión, nunca dirija un chorro de agua hacia personas o animales, ni coloque ninguna parte del cuerpo delante del chorro. Las fugas en las mangueras y los racores también pueden provocar lesiones por inyección. No sujete las mangueras ni los racores.
	Para reducir el riesgo de lesiones por retroceso, sujete firmemente la lanza con ambas manos cuando la máquina esté encendida.
	Si no se utiliza en condiciones secas y no se respetan prácticas seguras, pueden producirse descargas eléctricas.
	El combustible y sus vapores son explosivos y pueden producir quemaduras graves o incluso la muerte.

Símbolo	Explicación
	¡Advertencia! Nunca apunte la pistola hacia personas, animales, el cuerpo de la máquina, la fuente de alimentación o cualquier aparato eléctrico.
	El aparato no es adecuado para la conexión a la red de agua potable sin un dispositivo de prevención de reflujo.
	Utilice la plataforma de limpieza únicamente sobre superficies planas y horizontales. Nunca levante la plataforma de limpieza de la superficie de limpieza mientras esté utilizando el limpiador a presión.
	Mantenga las manos y los pies alejados de la plataforma de limpieza mientras el limpiador a presión esté en funcionamiento.

## 2.9 NIVELES DE RIESGO

Las siguientes indicaciones y significados tienen como fin explicar los niveles de riesgo asociados a este producto.

SÍMBOLO	INDICACIÓN	SIGNIFICADO
	PELIGRO	Indica una situación de peligro inminente que, de no evitarse, provocará lesiones graves o incluso la muerte.
	ADVERTENCIA	Indica una situación de peligro potencial que, de no evitarse, podría provocar lesiones graves o incluso la muerte.
	PRECAUCIÓN	Indica una situación de peligro potencial que, de no evitarse, puede provocar lesiones leves o moderadas.
	PRECAUCIÓN	(Sin símbolo de alerta sobre seguridad) Indica una situación que puede provocar daños materiales.

## 2.10 PROPUESTA 65

### ▲ AVISO

Este producto contiene una sustancia química conocida en el estado de California como causante de cáncer, defectos de nacimiento u otros daños reproductivos. El polvo generado por el lijado eléctrico, el serrado, el esmerilado, la perforación y otras actividades de construcción contiene sustancias químicas que se sabe que son causantes de cáncer, defectos de nacimiento u otros daños reproductivos. Algunos ejemplos de estas sustancias químicas son:

- Plomo de pinturas con base de plomo;
- Sílice cristalina de ladrillos y cemento y otros productos de albañilería;
- Arsénico y cromo de la madera tratada químicamente.

El riesgo de exposición a estas sustancias químicas varía según la frecuencia con la que realice este tipo de trabajo. Para reducir su exposición a estas sustancias químicas, trabaje en una zona bien ventilada y trabaje con equipos de seguridad aprobados, como máscaras antipolvo, que estén especialmente diseñadas para filtrar partículas microscópicas.

Conserve estas instrucciones.

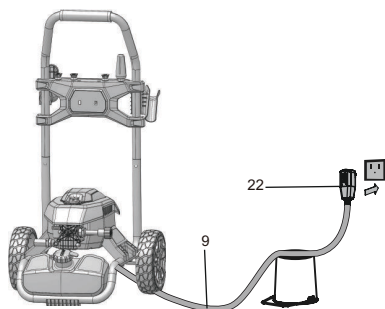
## 3 INSTALACIÓN

### 3.1 CONEXIÓN ELÉCTRICA

Esta máquina tiene un motor eléctrico fabricado con precisión. Debe conectarse a una fuente de alimentación de 120V, 60 Hz, únicamente CA (doméstica). No utilice esta máquina con corriente continua (CC). Una caída de tensión considerable provocará una pérdida de potencia y el motor se sobrecalentará.

#### 3.1.1 PREPARACIÓN DE UN BUCLE DE GOTEO

Recomendamos la utilización de un bucle de goteo como se muestra a continuación para que el agua no corra a lo largo del cable de alimentación, ya que incluso podría llegar a la toma eléctrica y al enchufe.



### ▲ AVISO

Mantenga el cable alargador alejado de la superficie de trabajo. Coloque el cable de manera que no quede atrapado en madera, herramientas u otras obstrucciones mientras trabaja con una herramienta eléctrica. De no hacerlo podrían producirse lesiones personales graves.

ES

## 3.2 DESEMBALAJE DE LA MÁQUINA

### ▲ AVISO

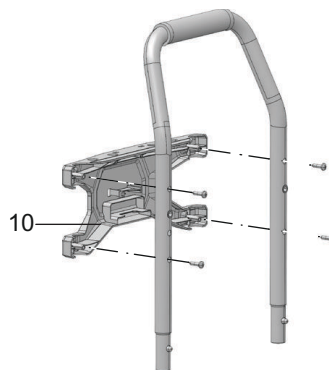
Asegúrese de montar correctamente la máquina antes del uso.

### ▲ AVISO

- Si las piezas de la máquina presentan daños, no utilice la máquina.
- Si no tiene todas las piezas, no utilice la máquina.
- Si faltan piezas o hay piezas dañadas, contacte con el centro de servicio.

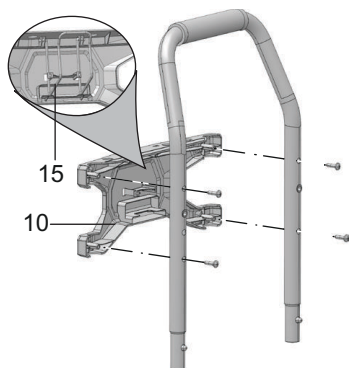
1. Abra el embalaje.
2. Lea la documentación que se proporciona en la caja.
3. Retire todas las piezas sin montar de la caja.
4. Retire la máquina de la caja.
5. Deseche la caja y el material de embalaje de conformidad con los reglamentos locales.

### 3.3 INSTALACIÓN DEL PANEL SUPERIOR



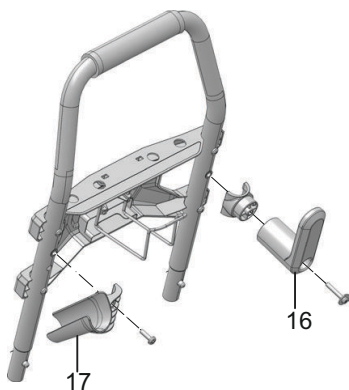
1. Alinee los manguitos de los tornillos del panel superior (10) con los orificios de tornillo del asa superior.
2. Introduzca los tornillos por los manguitos de los tornillos y apriételos.

## 3.4 INSTALACIÓN DEL GANCHO DE LA MANGUERA



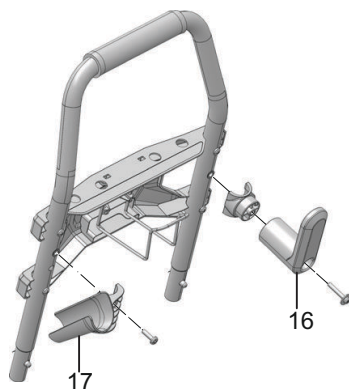
1. Introduzca firmemente los extremos del gancho de la manguera (15) en las pinzas detrás del panel delantero (10).

## 3.5 INSTALACIÓN DEL SOPORTE DE LA PISTOLA PULVERIZADORA



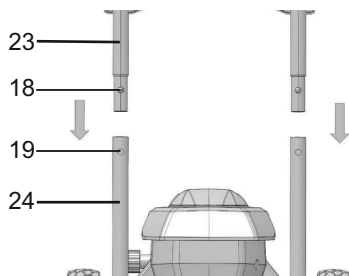
1. Alinee los manguitos de los tornillos del soporte de la pistola pulverizadora (17) con los orificios de tornillo del asa superior.
2. Introduzca los tornillos por los manguitos de los tornillos y apriételes.

## 3.6 INSTALACIÓN DEL BRAZO DE ALMACENAMIENTO DEL CABLE DE ALIMENTACIÓN



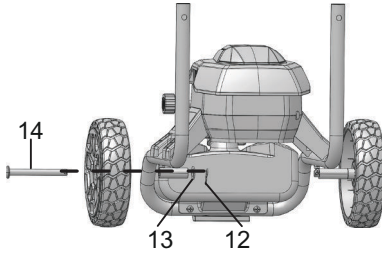
1. Fije el brazo de almacenamiento del cable de alimentación (16) en el accesorio.
2. Alinee el tornillo con el orificio en el brazo de almacenamiento del cable de alimentación (16).
3. Introduzca el tornillo y apriétele.

## 3.7 INSTALACIÓN DEL ASA SUPERIOR



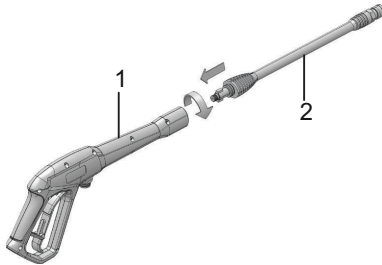
1. Pulse y mantenga pulsado el botón de bloqueo del asa (18) en el asa superior (23).
2. Mueva el asa superior (23) hacia el asa inferior (24) hasta que el botón de bloqueo del asa (18) encaje en la ranura (19).

## 3.8 INSTALACIÓN DE LAS RUEDAS



1. Introduzca un eje (14) por la rueda y el bastidor del asa.
2. Fije una arandela (13) en el eje (14).
3. Introduzca un pasador de chaveta (12) por el orificio del eje (14).

## 3.9 INSTALACIÓN DE LA VARILLA PULVERIZADORA

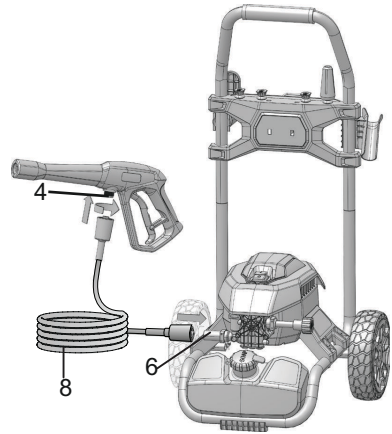


1. Introduzca el extremo de la varilla pulverizadora (2) en la empuñadura de la pistola (1).
2. Gire la varilla pulverizadora (2) en sentido horario hasta que las pestañas se bloqueen en su posición.

### ▲ AVISO

Asegúrese de que la conexión no tenga fugas.

## 3.10 INSTALACIÓN DE LA MANGUERA UBERFLEX



1. Introduzca un extremo de la manguera Uberflex (8) en el acoplamiento de entrada (4) y gire en sentido horario.
2. Instale y apriete el otro extremo de la manguera Uberflex en el acoplamiento de salida de agua (6).

## 4 FUNCIONAMIENTO

### ▲ AVISO

Asegúrese de que todas las conexiones estén apretadas y no tengan fugas antes del funcionamiento.

### 4.1 CONEXIÓN DEL SUMINISTRO DE AGUA A LA MÁQUINA

Para un fácil funcionamiento, utilice una manguera de jardín autoenrollable (no incluida).

### ▲ AVISO

Cuando utilice la manguera autoenrollable, asegúrese de que esta no tenga obstrucciones.

### ▲ AVISO

- El suministro de agua debe provenir de la red de abastecimiento de agua
- No utilice agua caliente
- No utilice agua de estanques o lagos

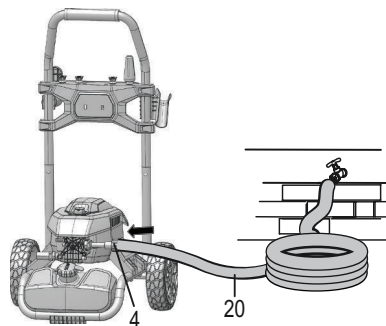
### ▲ AVISO

Siga los reglamentos locales cuando conecte la manguera de jardín al suministro de agua. Normalmente se permite la conexión directa a través de un depósito receptor o un dispositivo de prevención de reflujo.

## ▲ PRECAUCIÓN

Inspeccione el filtro en el conector de entrada de agua antes de conectar la manguera de jardín

- Si el filtro está dañado, no utilice la máquina hasta que sustituya el filtro.
- Limpie el filtro si está sucio.

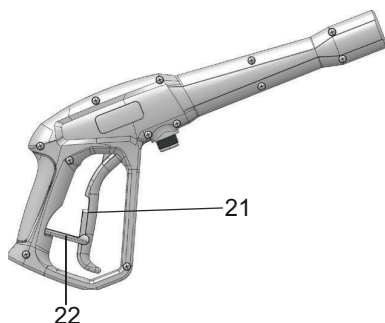


1. Desenrolle la manguera de jardín (20).
2. Deje que el agua fluya por la manguera de jardín (20) durante 30 segundos.
3. Desconecte el suministro de agua.
4. Instale y apriete el extremo de la manguera de jardín (20) en el conector de entrada de agua (4).

## ▲ PRECAUCIÓN

Debe haber un mínimo de 3 m de manguera libre entre la entrada de agua y el suministro de agua.

## 4.2 USO DE LA PISTOLA PULVERIZADORA



## ▲ AVISO

Para un control seguro, mantenga las manos en la pistola en todo momento.

- Apriete y mantenga apretado el gatillo de la pistola pulverizadora (21) para poner en marcha la máquina.
- Suelte el gatillo de la pistola pulverizadora (21) para detener el flujo de agua por la punta de pulverización (11).

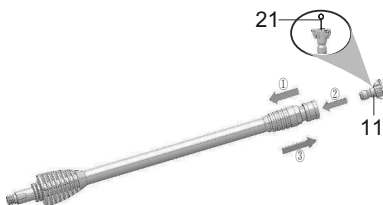
## 4.2.1 DESBLOQUEO DEL GATILLO DE LA PISTOLA

- Empuje el bloque de seguridad del gatillo (22) hacia abajo hasta que encaje en la ranura.

## 4.2.2 BLOQUEO DEL GATILLO DE LA PISTOLA

- Empuje el bloque de seguridad del gatillo (22) hacia arriba a su posición original.

## 4.3 CAMBIO DE LA PUNTA DE PULVERIZACIÓN



## ▲ AVISO





Antes de cambiar la punta de pulverización:

1. Apriete el gatillo de la pistola pulverizadora para liberar la presión de agua.
2. Acople el bloque de seguridad del gatillo en la pistola pulverizadora.
3. Pare la máquina.

## ▲ AVISO

No apunte la varilla pulverizadora hacia su propia cara o la de otras personas.

## 4.3.1 TIPO DE BOQUILLA

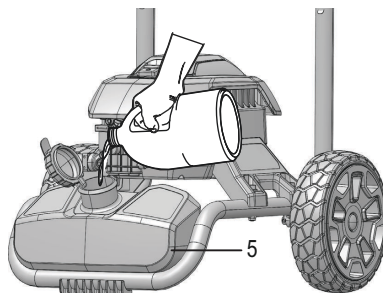
PUNTA DE PULVERIZACIÓN	APLICACIÓN
 <b>25°</b>	<p><b>Verde - Punta de ventilador estrecha (25°)</b></p> <ul style="list-style-type: none"> <li>La punta verde del limpiador a presión ofrece una gran versatilidad con su punta en ángulo de 25 grados. Se la denomina punta de lavado, porque proporciona la presión adecuada para eliminar la suciedad de las superficies, pero se ha diseñado para no dañar numerosas superficies. Esta punta del limpiador a presión se ha diseñado para "barrer" el follaje o los residuos dado su amplio ángulo. Esta punta es versátil gracias a su amplia zona de limpieza y aplicación de fuerte presión.</li> </ul>
 <b>40°</b>	<p><b>Blanca - Punta de ventilador ancha (40°)</b></p> <ul style="list-style-type: none"> <li>La punta blanca de 40 grados, denominada punta de "ventilador" genera la zona más amplia de limpieza con una presión relativamente baja. Esta punta del limpiador a presión es idónea para aplicaciones de limpieza ligera o delicada. Se recomienda para la limpieza ligera en cubiertas de madera y otras superficies suaves o delicadas.</li> </ul>
 <b>SOAP</b>	<p><b>Punta negra para pulverizar jabón</b></p> <ul style="list-style-type: none"> <li>La punta negra para pulverizar jabón se utiliza para la aplicación de jabón. El jabón se aplica con alto volumen y baja presión para un rendimiento óptimo. No se puede aplicar jabón a alta presión con esta máquina.</li> </ul>
	<p><b>Punta de boquilla turbo</b></p> <ul style="list-style-type: none"> <li>La boquilla gira en un patrón de pulverización de cero a 15 grados en un movimiento circular para soltar la suciedad difícil y la mugre. El patrón de pulverización puede cubrir una superficie de 4 a 8 pulgadas (10 a 20 cm) de ancho, en función de la distancia entre la punta y la superficie que se limpia.</li> </ul>

## 4.3.2 INSTALACIÓN DE LA PUNTA DE PULVERIZACIÓN

- Tire hacia atrás del collarín de conexión rápida de la varilla pulverizadora (2).

- Instale la punta de pulverización (11) en la varilla pulverizadora (2).
- Suelte el collarín de conexión rápida para fijar la punta de pulverización (11).
- Tire de la punta de pulverización (11) para asegurarse de que esté instalada correctamente y no se salga.

## 4.4 ADICIÓN DE DETERGENTE



### ▲ AVISO

No utilice detergentes domésticos, ácidos, alcalinos, lejías, disolventes, materiales inflamables o soluciones para uso industrial que puedan dañar la bomba.

### ▲ AVISO

Siga las instrucciones de la botella de solución para preparar el detergente.

### i NOTA

En caso necesario, utilice un embudo para evitar el derrame de detergente. Limpie y seque el detergente derramado durante el llenado.

### i NOTA

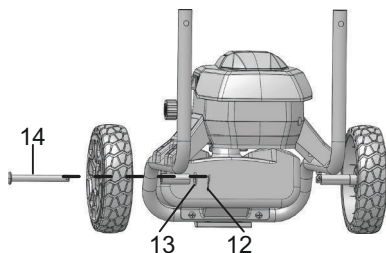
Solo puede aplicarse jabón/detergente con esta máquina cuando la boquilla negra (75 grados) está instalada.

- Ponga la máquina en vertical sobre una superficie plana.
- Abra la tapa del depósito de detergente (5).
- Ponga el detergente en el depósito de detergente (5).
- Cierre la tapa.

### i NOTA

No deje que el detergente se seque sobre la superficie para evitar trazas.

## 4.5 PUESTA EN MARCHA DE LA MÁQUINA



### ▲ PRECAUCIÓN

No utilice sin el suministro de agua conectado.

### ▲ PRECAUCIÓN

Antes de poner en marcha la máquina:

1. Conecte el suministro de agua.
2. Apriete el gatillo de la pistola para liberar la presión de aire.
3. Cuando observe un chorro de agua estable, suelte el gatillo de la pistola pulverizadora.

1. Conecte la máquina al suministro de alimentación.
2. Sitúe el interruptor de encendido en la posición de encendido (I).
3. Conecte el suministro de agua.
4. Apriete el gatillo de la pistola pulverizadora.

## 4.6 DETENCIÓN DE LA MÁQUINA

1. Suelte el gatillo de la pistola pulverizadora.
2. Pulse de nuevo el interruptor de encendido/apagado para situar el interruptor en la posición de apagado (O).

### ▲ AVISO

Si no utiliza la máquina:

- Detenga la herramienta.
- Desconecte el suministro de agua.
- Desconecte el cable de alimentación de la toma de pared.
- Apriete el gatillo de la pistola pulverizadora para liberar la presión restante de la herramienta.
- Acople el bloqueo de seguridad del gatillo en la pistola pulverizadora.

## 5 MANTENIMIENTO

### ▲ AVISO

Antes del mantenimiento, asegúrese de

- Detener la herramienta.
- Esperar hasta que se detengan todas las piezas móviles.
- Desconectar el enchufe de la fuente de alimentación.

### ▲ AVISO

No utilice disolventes o detergentes fuertes en la carcasa o los componentes de plástico.

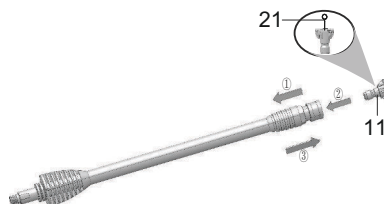
### ▲ AVISO

No permita que líquidos de frenos, gasolina y otros derivados del petróleo toquen las piezas de plástico. Las sustancias químicas pueden dañar el plástico y hacer que quede inservible.

### ▲ AVISO

El cable de alimentación debe ser sustituido por un centro de servicio autorizado.

## 5.1 MANTENIMIENTO DE LA PUNTA DE PULVERIZACIÓN



Si hay demasiada presión de la bomba, la punta de pulverización puede obstruirse y puede sentirse una sensación de pulsación mientras aprieta el gatillo de la pistola pulverizadora.

### 5.1.1 RETIRADA DE LA PUNTA DE PULVERIZACIÓN

1. Tire hacia atrás del collarín de conexión rápida de la varilla pulverizadora (2).
2. Retire la punta de pulverización (11) de la varilla pulverizadora (2).

### 5.1.2 LIMPIEZA DE LA PUNTA DE PULVERIZACIÓN

1. Utilice un clip de papel recto o la herramienta de limpieza (21) para limpiar la punta de pulverización (11).
2. Elimine y limpie los materiales no deseados de la punta de pulverización (11) con la manguera de jardín (20).
3. Instale la punta de pulverización limpia (11) en la varilla pulverizadora (2).



## 6 TRANSPORTE Y ALMACENAMIENTO

### ▲ AVISO

Desconecte el cable de alimentación y la manguera de suministro de agua antes del transporte y el almacenamiento.

### 6.1 TRASLADO DE LA MÁQUINA

- Apunte la varilla pulverizadora en una dirección segura.
- Sujete la máquina únicamente por la empuñadura.

### 6.2 ALMACENAMIENTO DE LA MÁQUINA

### ▲ AVISO

Asegúrese de que la pistola de pulverización, la manguera Uberflex y la bomba estén secas.

### ▲ AVISO

Asegúrese de que la máquina esté fuera del alcance de los niños.

### i NOTA

Utilice un protector de bomba recomendado para evitar daños por el frío durante el almacenamiento en invierno.

- Desconecte la manguera de jardín de la máquina.
- Enrolle el cable de alimentación y la manguera Uberflex.
- Limpie la carcasa y los componentes de plástico con un paño húmedo y suave.
- Asegúrese de que la máquina no tenga piezas sueltas o dañadas. Si es necesario, siga estos pasos/estas instrucciones:
  - Sustituya las piezas dañadas.
  - Apriete los pernos.
  - Si es necesario, llame al número de teléfono del servicio de atención al cliente (introducir el número aquí) para obtener instrucciones de servicio.
- Almacene la máquina en un lugar seco, aislado y donde no hiele.

## 7 SOLUCIÓN DE PROBLEMAS

PROBLEMA	POSIBLE CAUSA	SOLUCIÓN
El motor no se pone en marcha.	El botón de encendido está en la posición de apagado (O).	Sítue el interruptor de encendido en la posición de encendido (I).
	El cable de alimentación no se ha enchufado.	Conecte el cable al suministro de alimentación.
	La toma eléctrica no tiene suficiente potencia.	Intente otra toma eléctrica.
	El disyuntor del circuito ha saltado.	Deje que se enfríe y vuelva a poner en marcha la máquina.
	El interruptor de encendido está activado, pero no ha apretado el gatillo de la pistola pulverizadora.	Apriete el gatillo de la pistola pulverizadora.
La máquina no alcanza alta presión.	El diámetro de la manguera de jardín es demasiado pequeño.	Sustituya por una manguera de jardín de 1" (25 mm) o 5/8" (16 mm).
	El suministro de agua está obstruido.	Compruebe si la manguera de jardín tiene dobleces, fugas o algún bloqueo.
	El suministro de agua es insuficiente.	Abra totalmente el suministro de agua.
	La punta de pulverización no se ha instalado correctamente en la varilla pulverizadora.	Instale la punta de pulverización deseada en el extremo de la varilla.
	El filtro de admisión de agua está atascado.	Retire el filtro y lávelo con agua templada.


ES

PROBLEMA	POSIBLE CAUSA	SOLUCIÓN
La presión de salida varía entre alta y baja.	El suministro de agua es insuficiente.	Abra totalmente el suministro agua. Compruebe si la manguera de jardín tiene dobleces, fugas o algún bloque.
	La bomba está aspirando aire.	<ol style="list-style-type: none"> <li>1. Asegúrese de que las mangueras y los racores sean estancos.</li> <li>2. Apague la máquina.</li> <li>3. Purgue la bomba apretando el gatillo de la pistola hasta que salga un flujo constante de agua por la punta de pulverización.</li> </ol>
	El filtro de admisión de agua está atascado.	Retire el filtro y lávelo con agua templada.
	La tensión de suministro es baja.	Asegúrese de que solo el limpiador a presión esté funcionando en el circuito.
	La pistola, la manguera o la boquilla están calcificadas.	Haga pasar vinagre destilado por el depósito de detergente.

PROBLEMA	POSIBLE CAUSA	SOLUCIÓN
El motor zumba, pero la máquina no se pone en marcha.	La tensión de suministro es baja.	Asegúrese de que solo el limpiador a presión esté funcionando en el circuito.
	El sistema de bombeo tiene presión residual.	<ol style="list-style-type: none"> <li>1. Apague la máquina.</li> <li>2. Apriete el gatillo de la pistola pulverizadora en la varilla pulverizadora para liberar la presión.</li> <li>3. Encienda la máquina.</li> </ol>
	Pérdida de tensión debido al uso de un cable alargador incorrecto.	Desconecte el cable alargador y conecte la máquina directamente en la toma.
	El limpiador a presión no se utiliza durante periodos prolongados.	Avise al servicio de atención al cliente.
	Fricción residual entre los componentes. La unidad puede emitir un zumbido.	<ol style="list-style-type: none"> <li>1. Desconecte el suministro de agua.</li> <li>2. Encienda la máquina durante 2 o 3 segundos.</li> <li>3. Repita el paso anterior un par de veces o hasta que arranque el motor.</li> </ol>
No hay agua.	El suministro de agua está desconectado.	Conecte el suministro de agua.
	La manguera de jardín está doblada.	Elimine el doblez de la manguera de jardín.

## 8 DATOS TÉCNICOS

Motor universal	120 V~ 60 Hz, 13 Amps
Máx. presión libras por pulgada al cuadrado	1800 PSI
Galones nominales por minuto	1.1 GPM

Temperatura máxima de agua de entrada	104 °F (40 °C)
Unidades de limpieza	1,980 C.U.
Peso	27 lbs. (12.35 kg)
	Estructura con doble aislamiento.

sustitución bajo esta garantía, a menos que dicha devolución sea solicitada por escrito por Greenworks.

**Dirección en EE.UU.:** Greenworks Tools  
P.O. Box 1238  
Mooresville, NC 28115

**Dirección en Canadá:** Greenworks Tools Canada, Inc.  
P.O. Box 93095, Newmarket,  
Ontario  
L3Y 8K3

ES

## 9 GARANTÍA LIMITADA



Por la presente Greenworks garantiza este producto, al comprador original con el comprobante de compra, durante un periodo de tres (3) años frente a defectos en materiales, piezas o mano de obra. A su entera discreción Greenworks reparará o sustituirá cualquiera y todas las piezas que resulten ser defectuosas, con un uso normal, sin coste alguno para el cliente. Esta garantía es válida únicamente para unidades que se hayan utilizado para uso personal que no han sido compradas o alquiladas para uso industrial/comercial y cuyo mantenimiento se ha realizado de acuerdo con las instrucciones del manual del propietario suministrado con el producto nuevo.

### ARTÍCULOS NO CUBIERTOS POR LA GARANTÍA:

1. Cualquier pieza que no funcione debido a mal uso, uso comercial, abuso, negligencia, accidente, mantenimiento inadecuado o alteración; o
2. La unidad, si no ha sido utilizada o mantenida de acuerdo con el manual del propietario; o
3. Desgaste normal;
4. Artículos de mantenimiento de rutina tales como lubricantes, afilado de cuchillas;
5. Deterioro normal del acabado exterior debido al uso o la exposición.

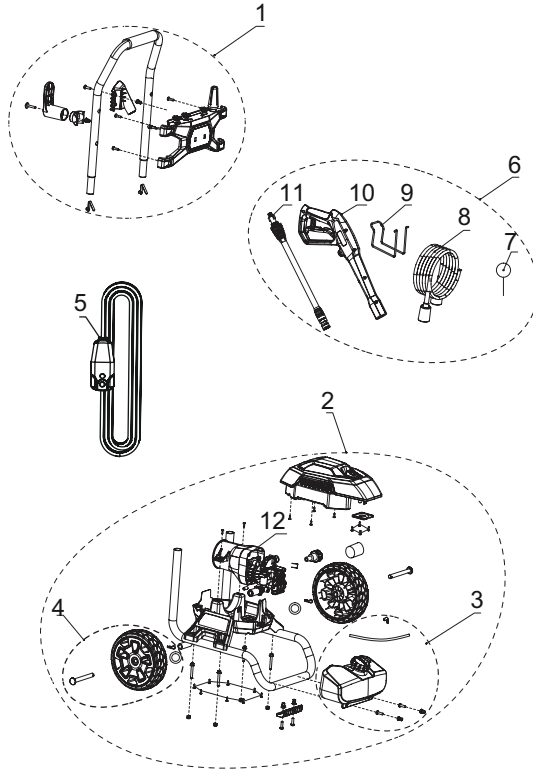
### LÍNEA DE ASISTENCIA TELEFÓNICA:

Puede contactar con el servicio de garantía llamando a nuestra línea de asistencia telefónica gratuita a 1-888-909-6757.

### COSTES DE TRANSPORTE:

Los costes de transporte por el desplazamiento de cualquier unidad o accesorio de equipos eléctricos son responsabilidad del comprador. Es responsabilidad del comprador pagar los costes de transporte de cualquier pieza enviada para su

## 10 VISTA DESPIEZADA



Nº de art.	Nº pieza	Descripción	Cant.
1	311023613	Conjunto de asa superior	1
2	311043613	Conjunto de asa inferior	1
3	311053613	Depósito de jabón	1
4	311063613	Conjunto de las ruedas	1
5	311093613	Conjunto de cable de alimentación	1
6	311103613	Conjunto de accesorios	1
7	33201671	Herramienta de limpieza de punta de pulverización	1
8	311311635	Manguera Uberflex	1
9	333011936	Gancho de manguera	1
10	C1101896-00	Pistola	1
11	31115661	Varilla de pistola	1
12	311113613	Conjunto del motor	1