

P0803127-00

greenworks

27072

EN CULTIVATOR OPERATOR MANUAL
 FR MOTOBÉCHE MANUEL DE L'UTILISATEUR
 ES CULTIVADOR MANUAL DEL OPERADOR



CUA108

www.greenworkstools.com

210

145

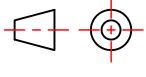
SCALE: A5

说明书技术要求:

1. 材质要求: 60g双胶纸, 32P;
2. 说明书为单色印刷, 色块全部在外侧;
3. 骑马钉装订, 裁切均匀、无连页;
4. 说明书可封样、要求无色差、无污点。
5. 料件需符合格力博HSF文件(编号: GLB-CGR-146) 里关于环保和有害物质的具体要求。

版本号

B

					说明书				常州格力博集团	
标记	处数	更改文件号		签名	日期					
设计	刘小娟	标准化	王小妮		阶段标记	视角标记	重量	比例	27072	
校对	张君	审定			S	A	B			
审核	周艳	批准	李海平		共 1 张	第 1 张	ERP号		P0803127-00	
工艺		日期	2020.12							

重要度等级

B

greenworks

27072

EN CULTIVATOR

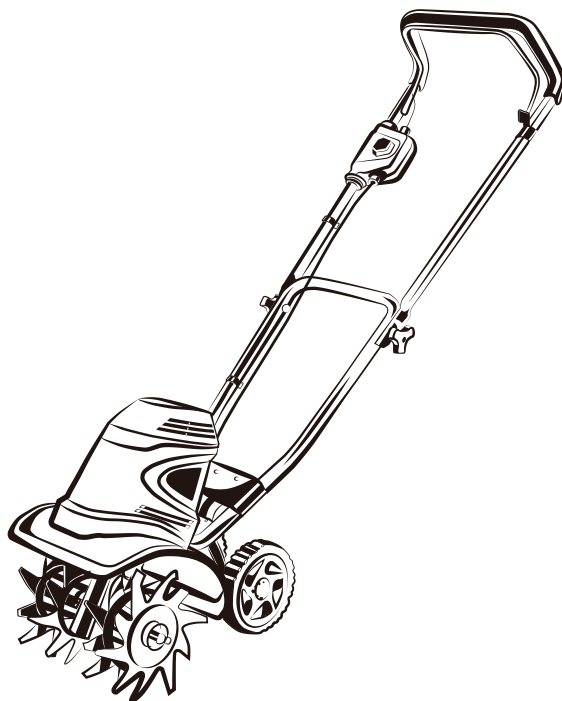
OPERATOR MANUAL

FR MOTOBÊCHE

MANUEL DE L'UTILISATEUR

ES CULTIVADOR

MANUAL DEL OPERADOR



CUA108

www.greenworkstools.com

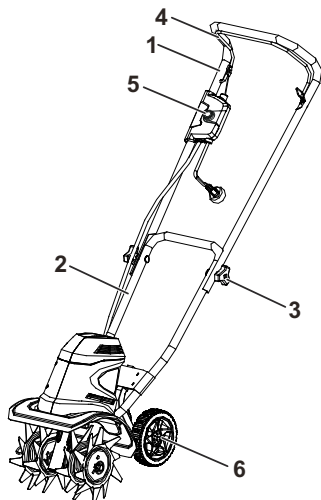
1	Description.....	4	9	Installation.....	7
1.1	Purpose.....	4	9.1	Unpack the machine.....	8
1.2	Overview.....	4	9.2	Install the handle.....	8
1.3	Packing list.....	4	9.3	Install the wheel.....	8
2	General power tool safety		9.4	Install the tines.....	8
	warnings.....	4	10	Applications.....	9
2.1	Work area safety.....	4	10.1	Start the machine.....	9
2.2	Electrical safety.....	4	10.2	Stop the machine.....	9
2.3	Personal safety.....	4	10.3	Narrow cultivating width.....	9
2.4	Power tool use and care.....	5	10.4	Operation tips.....	9
2.5	Service.....	5	11	Maintenance.....	9
3	General safety rules.....	5	11.1	Clean the machine.....	10
4	Symbols on the product.....	6	12	Store the machine.....	10
5	Risk levels.....	6	13	Troubleshooting.....	10
6	Double insulated.....	6	14	Technical data.....	10
7	Extention cords.....	6	15	Limited warranty.....	10
8	Proposition 65.....	7	16	Exploded view.....	11

1 DESCRIPTION

1.1 PURPOSE

The machine is intended for loosening of soil in an open garden area. This product is not intended for commercial use. Do not use for any commercial task.

1.2 OVERVIEW



- | | |
|----------------|----------------------|
| 1 Upper handle | 4 Bail switch |
| 2 Lower handle | 5 Safety lock button |
| 3 Wing nut | 6 Wheel assembly |

1.3 PACKING LIST

- | | |
|-------------------|------------------------|
| 1 Cultivator | 6 Hitch pin |
| 2 Ring pins (2) | 7 Large hitch pins (2) |
| 3 Inner tines (2) | 8 Wheel assembly |
| 4 Outer tines (2) | 9 Manual |
| 5 Felts (2) | |

2 GENERAL POWER TOOL SAFETY WARNINGS

▲ WARNING

Read all safety warnings and all instructions. Failure to follow the warnings and instructions may result in electric shock, fire and/or serious injury.

Save all warnings and instructions for future reference.

The term "power tool" in the warnings refers to your mains-operated (corded) power tool.

2.1 WORK AREA SAFETY

- **Keep work area clean and well lit.** *Cluttered or dark areas invite accidents.*
- **Do not operate power tools in explosive atmospheres, such as in the presence of flammable liquids, gases or dust.** *Power tools create sparks which may ignite the dust or fumes.*
- **Keep children and bystanders away while operating a power tool.** *Distractions can cause you to lose control.*

2.2 ELECTRICAL SAFETY

- **Power tool plugs must match the outlet. Never modify the plug in any way. Do not use any adapter plugs with earthed (grounded) power tools.** *Unmodified plugs and matching outlets will reduce risk of electric shock.*
- **Avoid body contact with earthed or grounded surfaces, such as pipes, radiators, ranges and refrigerators.** *There is an increased risk of electric shock if your body is earthed or grounded.*
- **Do not expose power tools to rain or wet conditions.** *Water entering a power tool will increase the risk of electric shock.*
- **Do not abuse the cord.** *Never use the cord for carrying, pulling or unplugging the power tool. Keep cord away from heat, oil, sharp edges and moving parts. Damaged or entangled cords increase the risk of electric shock.*
- **When operating a power tool outdoors, use an extension cord suitable for outdoor use.** *Use of a cord suitable for outdoor use reduces the risk of electric shock.*
- **If operating a power tool in a damp location is unavoidable, use a RESIDUAL CURRENT DEVICE (RCD) protected supply.** *Use of an RCD reduces the risk of electric shock.*

2.3 PERSONAL SAFETY

- **Stay alert, watch what you are doing and use common sense when operating a power tool. Do not use a power tool while you are tired or under the influence of drugs, alcohol or medication.** *A moment of inattention while operating power tools may result in serious personal injury.*
- **Use personal protective equipment. Always wear eye protection.** *Protective equipment such as a dust mask, non-skid safety shoes, hard hat or hearing protection used appropriately will reduce personal injuries.*
- **Prevent unintentional starting. Ensure the switch is in the off position before connecting to power source and/or battery pack and when picking up or carrying the tool.** *Carrying power tools with your finger on the switch or energizing power tools that have the switch on invites accidents.*
- **Remove any adjusting key or wrench before turning the power tool on.** *A wrench or a key left attached to a rotating part of the power tool may result in personal injury.*

- **Do not over-reach. Keep proper footing and balance at all times.** *This enables better control of the power tool in unexpected situations.*
- **Dress properly. Do not wear loose clothing or jewelry. Keep your hair, clothing and gloves away from moving parts.** *Loose clothes, jewelry or long hair can be caught in moving parts.*
- **Do not let familiarity gained from frequent use of tools allow you to become complacent and ignore tool safety principles.** *A careless action can cause severe injury within a fraction of a second.*

2.4 POWER TOOL USE AND CARE

- **Do not force the power tool. Use the correct power tool for your application.** *The correct power tool will do the job better and safer at the rate for which it was designed.*
- **Do not use the power tool if the switch does not turn it on and off.** *Any power tool that cannot be controlled with the switch is dangerous and must be repaired.*
- **Disconnect the plug from the power source and/or remove the battery pack, from the power tool before making any adjustments, changing accessories, or storing power tools.** *Such preventive safety measures reduce the risk of starting the power tool accidentally.*
- **Store idle power tools out of the reach of children and do not allow persons unfamiliar with the power tool or these instructions to operate the power tool.** *Power tools are dangerous in the hands of untrained users.*
- **Maintain power tools and accessories. Check for misalignment or binding of moving parts, breakage of parts and any other condition that may affect the power tool's operation. If damaged, have the power tool repaired before use.** *Many accidents are caused by poorly maintained power tools.*
- **Keep cutting tools sharp and clean.** *Properly maintained cutting tools with sharp cutting edges are less likely to bind and are easier to control.*
- **Use the power tool, accessories and tool bits etc. in accordance with these instructions, taking into account the working conditions and the work to be performed.** *Use of the power tool for operations different from those intended could result in a hazardous situation.*
- **Keep handles and grasping surfaces dry, clean and free from oil and grease.** *Slippery handles and grasping surfaces do not allow for safe handling and control of the tool in unexpected situations.*

2.5 SERVICE

- **Have your power tool serviced by a qualified repair person using only identical replacement parts.** *This will ensure that the safety of the power tool is maintained.*
- **Never service damaged battery packs.** *Service of battery packs should only be performed by the manufacturer or authorized service providers.*








3 GENERAL SAFETY RULES


- **Replacement Parts** – When servicing use only identical replacement parts.
- **Polarized Appliance Connections** – To reduce the risk of electric shock, this appliance has a polarized plug (one blade is wider than the other) and will require the use of a polarized extension cord. The appliance plug will fit into a polarized extension cord only one way. If the plug does not fit fully into the extension cord, reverse the plug. If the plug still does not fit, obtain a correct polarized extension cord. A polarized extension cord will require the use of a polarized wall outlet. This plug will fit into the polarized wall outlet only one way. If the plug does not fit fully into the wall outlet, reverse the plug. If the plug still does not fit, contact a qualified electrician to install the proper wall outlet. Do not change the equipment plug, extension cord receptacle, or extension cord plug in any way.
- **Avoid Dangerous Environment** – Don't use appliances in damp or wet locations.
- **Don't Use In Rain.**
- **Keep Children Away** – All visitors should be kept at a distance from work area.
- **Dress Properly** – Do not wear loose clothing or jewelry. They can be caught in moving parts. Use of rubber gloves and substantial footwear is recommended when working outdoors. Wear protective hair covering to contain long hair.
- **Use Safety Glasses** – Always use face or dust mask if operation is dusty.
- **Use Right Appliance** – Do not use appliance for any job except that for which it is intended.
- **Warning** – To reduce the risk of electric shock, use only with an extension cord intended for outdoor use, such as an extension cord of cord type SW-A, SOW-A, STW-A, STOW-A, SJW-A, SJOW-A, SJTW-A, or SJTOW-A.
- **Avoid Unintentional Starting** – Don't carry plugged-in appliance with finger on switch. Be sure switch is off when plugging in.
- **Don't Abuse Cord** – Never carry appliance by cord or yank it to disconnect from receptacle. Keep cord from heat, oil, and sharp edges.
- **Don't grasp the exposed cutting blades or cutting edges when picking up or holding the appliance.**
- **Don't Force Appliance** – It will do the job better and with less likelihood of a risk of injury at the rate for which it was designed.
- **Don't Overreach** – Keep proper footing and balance at all times.
- **Stay Alert** – Watch what you are doing. Use common sense. Do not operate appliance when you are tired.
- **Disconnect Appliance** – Disconnect the appliance from the power supply when not in use, before servicing, when changing accessories such as blades, and the like.

- Store Idle Appliances Indoors – When not in use, appliances should be stored indoors in dry, and high or locked-up place – out of reach of children.
- Maintain Appliance With Care – Keep cutting edge sharp and clean for best performance and to reduce the risk of injury. Follow instructions for lubricating and changing accessories. Inspect appliance cord periodically, and if damaged, have it repaired by an authorized service facility. Inspect extension cords periodically and replace if damaged. Keep handles dry, clean, and free from oil and grease.
- Check Damaged Parts – Before further use of the appliance, a guard or other part that is damaged should be carefully checked to determine that it will operate properly and perform its intended function. Check for alignment of moving parts, binding of moving parts, breakage of parts, mounting, and any other condition that may affect its operation. A guard or other part that is damaged should be properly repaired or replaced by an authorized service center unless indicated elsewhere in this manual.

4 SYMBOLS ON THE PRODUCT




Some of the following symbols may be used on this product. Please study them and learn their meaning. Proper interpretation of these symbols will allow you to operate the product better and safer.

Symbol	Explanation
V	Voltage
A	Current
Hz	Frequency (cycles per second)
	Type or a characteristic of current
	Keep feet and hands away from rotating tines.
	Precautions that involve your safety.
	Read and understand all instructions before operating the product, and follow all warnings and safety instructions.
	Wear eye and ear protection.
	Keep all bystanders at least 15m away.
	Do not expose the product to rain or moist conditions.

Symbol	Explanation
	Double-insulated construction.

5 RISK LEVELS

The following signal words and meanings are intended to explain the levels of risk associated with this product.

SYM-BOL	SIGNAL	MEANING
	DANGER	Indicates an imminently hazardous situation, which, if not avoided, will result in death or serious injury.
	WARNING	Indicates a potentially hazardous situation, which, if not avoided, could result in death or serious injury.
	CAUTION	Indicates a potentially hazardous situation, which, if not avoided, may result in minor or moderate injury.
	CAUTION	(Without Safety Alert Symbol) Indicates a situation that may result in property damage.

6 DOUBLE INSULATED

Double insulation is a concept in safety in electric power tools, which eliminates the need for the usual three-wire grounded power cord. All exposed metal parts are isolated from the internal metal motor components with protecting insulation. Double insulated tools do not need to be grounded.

▲ WARNING

The double insulated system is intended to protect the user from shock resulting from a break in the tool's internal insulation. Observe all normal safety precautions to avoid electrical shock.

i NOTE

Service of a product with double insulation requires extreme care and knowledge of the system and should be performed only by a qualified service technician. For service, we suggest you return the tool to your nearest authorized service center for repair. Always use original factory replacement parts when servicing.

7 EXTENSION CORDS

When using a power tool at a considerable distance from a power source, be sure to use an extension cord that has the

capacity to handle the current the product will draw. An undersized cord will cause a drop in line voltage, resulting in overheating and loss of power. Use the chart to determine the minimum wire size required in an extension cord. Only round jacketed cords listed by Underwriter's Laboratories (UL) should be used.

When working outdoors with a product, use an extension cord that is designed for outside use. This type of cord is designated with "W-A" or "W" on the cord's jacket. Before using any extension cord, inspect it for loose or exposed wires and cut or worn insulation.

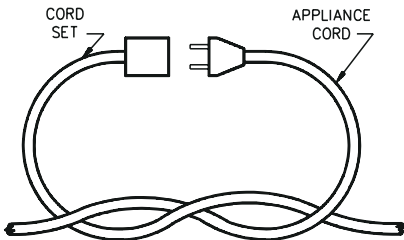
**MINIMUM GAUGE FOR EXTENSION CORDS (AWG)
(WHEN USING 120 V ONLY)**

Ampere Rating		Total Length of Cord in Feet (meters)			
More Than	Not More Than	25' (7.6 m)	50' (15 m)	100' (30.4 m)	150' (45.7 m)
0	6	/	/	/	/
6	10	18	16	14	12
10	12	16	16	14	12
12	16	14	12	Not Recommended	

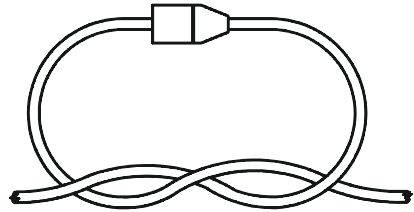
Extension Cord – Make sure your extension cord is in good condition. When using an extension cord, be sure to use one heavy enough to carry the current your product will draw. An undersized extension cord will cause a drop in voltage resulting in loss of power and overheating. The table shows the correct size to use depending on cord length and name plate ampere rating. If in doubt, use the next heavier gauge. The smaller the gauge number, the heavier the cord. To reduce the risk of disconnection of appliance cord from the extension cord during operating:

1. Make a knot as shown in Figure A. or
2. Use one of the plug-receptacle retaining straps or connectors.

METHOD OF SECURING EXTENSION CORD



(A) THE CORD AS SHOWN



(B) CONNECT PLUG AND RECEPTACLE

▲ WARNING

Keep the extension cord clear of the working area. Position the cord so that it will not get caught on lumber, tools, or other obstructions while you are working with a power tool. Failure to do so can result in serious personal injury.

▲ WARNING

Check extension cords before each use. If damaged replace immediately. Never use the product with a damaged cord since touching the damaged area could cause electrical shock resulting in serious injury.

8 PROPOSITION 65

▲ WARNING

This product contains a chemical known to the state of California to cause cancer, birth defects or other reproductive harm. Some dust created by power sanding, sawing, grinding, drilling, and other construction activities contains chemicals known to cause cancer, birth defects or other reproductive harm. Some examples of these chemicals are:

- Lead from lead-based paints;
- Crystalline silica from bricks and cement and other masonry products;
- Arsenic and chromium from chemically treated lumber.

Your risk of exposure to these chemicals varies depending on how often you do this type of work. To reduce your exposure to these chemicals, work in a well-ventilated area, and work with approved safety equipment, such as dust masks that are specially designed to filter out microscopic particles.

Save these instructions.

9 INSTALLATION

▲ WARNING

Do not change or make accessories that are not recommended by the manufacturer.

▲ WARNING

Do not connect the machine to the power supply until you assemble all the parts.

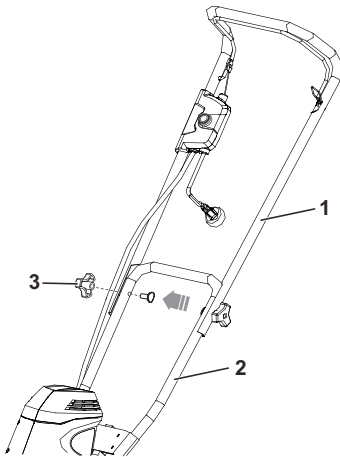
9.1 UNPACK THE MACHINE**▲ WARNING**

Make sure that you correctly assemble the machine before use.

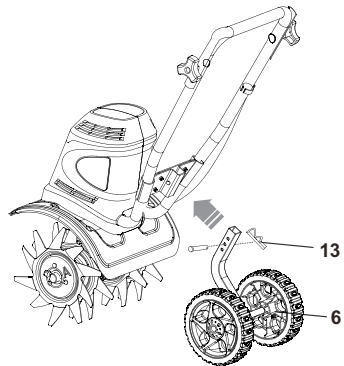
▲ WARNING

- If parts of the machine are damaged, do not use the machine.
- If you do not have all the parts, do not operate the machine.
- If parts are damaged or missing, contact the service center.

1. Open the package.
2. Read the documentation provided in the box.
3. Remove all the unassembled parts from the box.
4. Remove the machine from the box.
5. Discard the box and packing material in compliance with local regulations.

9.2 INSTALL THE HANDLE

1. Align the holes on the upper handle(1) with holes on the lower handle(2).
2. Insert the bolts through the handles.
3. Use the wing nuts(3) to tighten them.

9.3 INSTALL THE WHEEL

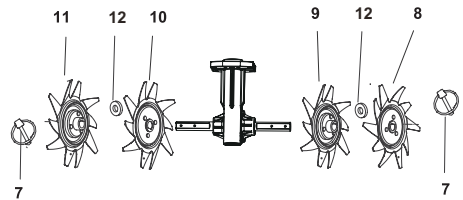
1. Insert the wheel assembly (6) into the support rod.
2. Align the wheel assembly hole to desired position.
3. Slide bolt through hole and attach the small hitch pin(13) to bolt.

i NOTE

The wheel position of the machine is adjustable. You can control the depth of operation through adjusting the wheel position.

i NOTE

Wheels can be removed for greater tilling depth.

9.4 INSTALL THE TINES

The cultivator has four tines—two inner tines stamped B and C and two outer tines stamped A and D. For correct operation of the unit, the tines must be installed in the correct orientation.

1. Put the machine on a flat and smooth surface.
2. Place tine C(10) on the tine shaft to the left of the gear box. The stamped side of the tine should face away from the gear box.
3. Place tine B(9) on the tine shaft to the right of the gear box. The stamped side of the tine should face away from the gear box.
4. Place a felt(12) washer on each side of the tine shaft, and slide to rest against the inner tines.
5. Place the outer tine D(11) on the left side of the tine shaft. The stamped side should face in toward tine C.

- Place the outer tine A(8) on the right side of the tine shaft. The stamped side should face in toward tine B.
- To secure the tines to the tine shaft, insert the ring pins(7) into the holes located on either side of the tine shaft.

i NOTE

The unit will not operate properly if the tines are installed incorrectly. If you notice a problem with the cultivating operation of the unit, check for proper tine positioning.

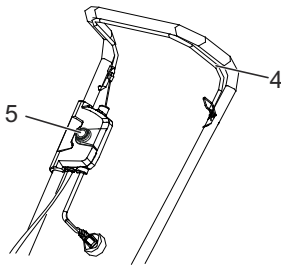
▲ WARNING

The tines and the machine may damage even if you move the machine with the motor switched off. To prevent the tines from touching the ground while moving please tilt the machine.

10 APPLICATIONS

- Breaking up garden soil to prepare seed bed for planting.
- Shallow cultivating to remove weeds.

10.1 START THE MACHINE



- Connect the machine into an approved outdoor extension cable.
- Press the safety lock button (5).
- Pull the bail switch (4) toward the handle while you hold the safety lock button.
- Release the safety lock button.

▲ WARNING

Hold the machine with two hands during operation.

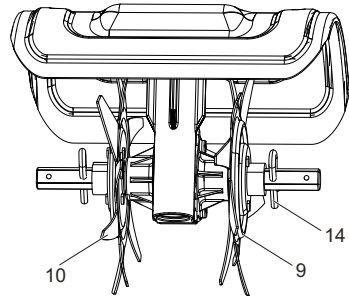
i NOTE

Stand behind the machine with the tines on the ground and the work area clean and free of obstructions.

10.2 STOP THE MACHINE

- Release the bail switch to stop the machine.

10.3 NARROW CULTIVATING WIDTH



The two outer tine blades can be removed from the unit to allow a more narrow cultivating width.

- Remove the ring pins from the holes on the ends of the tine shaft.
- Remove the outside tines and felts from the tine shaft.
- Place the large hitch pins (14) in the holes.

10.4 OPERATION TIPS

The cultivator can be used to break up garden soil and prepare a seedbed for planting. Plan ahead to leave enough room between the seed rows to allow for machine cultivating after the plants have grown.

- Several passes over the same path may be required to reach the desired depth. Do not try to dig too deeply in the first pass.
- If the machine jumps or bucks, allow the unit to move forward at a slightly faster rate or install wheel assembly.
- If the cultivator stays and digs in at one spot, try rocking it from side to side in order to start it moving forward again.
- If the soil is very hard, water a few days before cultivating. Avoid working the soil when soggy or wet. Wait a day or two after heavy rain for the ground to dry.
- Shallow cultivating less than 5cm. deep can be used to disrupt weeds and aerate soil, without injuring nearby plant roots. It should be done often so that weeds do not grow large and cause tangling in the tines of the unit.

11 MAINTENANCE

▲ CAUTION

Do not let brake fluids, gasoline, petroleum-based materials touch the plastic parts. Chemicals can cause damage to the plastic, and make the plastic unserviceable.

▲ CAUTION

Do not use strong solvents or detergents on the plastic housing or components.

▲ WARNING

Remove the battery pack from the machine before maintenance.

11.1 CLEAN THE MACHINE**▲ WARNING**

Keep the machine and the motor free of leaves, branches or excessive oil to prevent fire risks.

- Use a moist cloth with a mild detergent to clean the machine.
- Clean all moisture with a soft dry cloth.
- Use a small brush to clean the air vents.

12 STORE THE MACHINE

- Clean the machine before storage.
- Make sure that the motor is not hot when you store the machine.
- Make sure that the machine does not have loose or damaged parts. If it is necessary, do these steps/ instructions:
 - Replace the damaged parts.
 - Tighten the bolts.
 - Speak to a person of an approved service center.
- Store the machine in a dry area.
- Make sure that children cannot come near the machine.

13 TROUBLESHOOTING

Problem	Possible cause	Solution
Motor fails to start when bail switch is depressed.	Power cord is not plugged in or connection is loose.	Plug in the power cord.
	Household circuit breaker is tripped.	Check circuit breaker.
The machine smokes during operation.	The machine has damage.	<ol style="list-style-type: none"> 1. Immediately stop the machine. 2. Unplug the machine. 3. Speak to service center.
Motor runs but tines do not move.	The machine has damage.	Do not use the machine and speak to service center.
	The tines are blocked.	Unplug the machine then clear blockage from the tines.
	Gear train failure.	Speak to service center.

14 TECHNICAL DATA

Power	120V, 60Hz, 8A
No load speed	320 RPM
Cultivating path	Max 10-1/4"
Weight	26.2 lbs (11.9 kg)
Cultivating depth	5" (12.7 cm)

15 LIMITED WARRANTY

Greenworks hereby warranties this product, to the original purchaser with proof of purchase, for a period of three (3) years against defects in materials, parts or workmanship. Greenworks, at its own discretion, will repair or replace any and all parts found to be defective, through normal use, free of charge to the customer. This warranty is valid only for units which have been used for personal use that have not been hired or rented for industrial/commercial use, and that have been maintained in accordance with the instructions in the owners' manual supplied with the product from new.

ITEMS NOT COVERED BY WARRANTY:

1. Any part that has become inoperative due to misuse, commercial use, abuse, neglect, accident, improper maintenance, or alteration; or
2. The unit, if it has not been operated and/or maintained in accordance with the owner's manual; or
3. Normal wear, except as noted below;
4. Routine maintenance items such as lubricants, blade sharpening;
5. Normal deterioration of the exterior finish due to use or exposure.

HELPLINE:

Warranty service is available by calling our toll-free helpline at 1-888-909-6757.

TRANSPORTATION CHARGES:

Transportation charges for the movement of any power equipment unit or attachment are the responsibility of the purchaser. It is the purchaser's responsibility to pay transportation charges for any part submitted for replacement under this warranty unless such return is requested in writing by Greenworks.

USA address:

Greenworks Tools

P.O. Box 1238

Mooresville, NC 28115

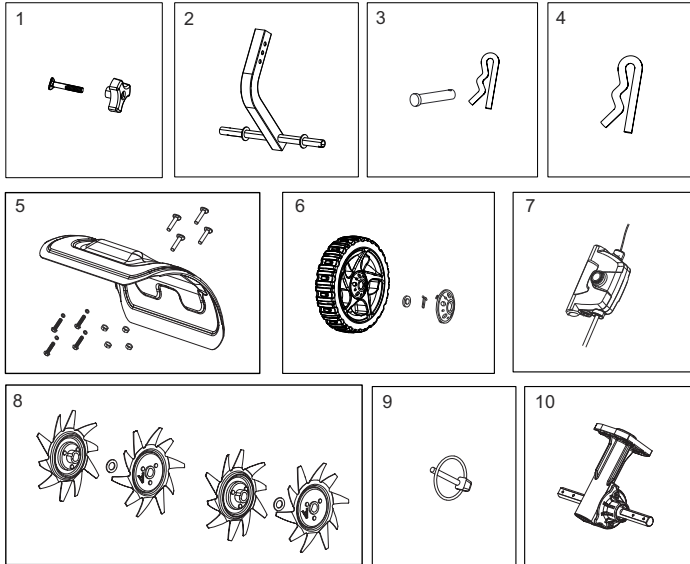
Canadian address:

Greenworks Tools Canada, Inc.

P.O. Box 93095, Newmarket,
Ontario

L3Y 8K3

16 EXPLODED VIEW



No	Part No.	Qty	Description	No	Part No.	Qty	Description
1	R0201747-00	1	Handle Knob Assembly	6	R0200155-00	1	Wheel
2	R0201748-00	1	Wheel Shelf Assembly	7	R0202454-00	1	Motor Engagement Box
3	R0201203-00	1	Small Hitch Pin	8	R0201208-00	1	Tine Assembly
4	R0201207-00	1	Large Hitch Pin	9	R0201209-00	1	Ring Pin
5	R0201749-00	1	Shield	10	R0201750-00	1	Gear Box

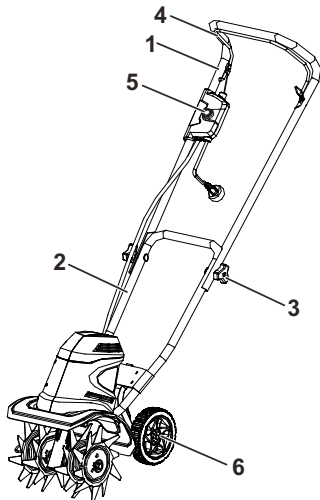
1	Description.....	13	9	Installation.....	17
1.1	But.....	13	9.1	Déballer la machine.....	17
1.2	Aperçu.....	13	9.2	Installez la poignée.....	18
1.3	Liste du contenu de l'emballage.....	13	9.3	Installez la roue.....	18
2	Avertissements généraux de sécurité des outils électriques.....	13	9.4	Installez les dents.....	18
2.1	Sécurité de la zone de travail.....	13	10	Applications.....	19
2.2	Sécurité électrique.....	13	10.1	Démarrer la machine.....	19
2.3	Sécurités des personnes.....	14	10.2	Arrêtez la machine.....	19
2.4	Utilisation et entretien des outils électriques...	14	10.3	Réduisez la largeur de la surface à cultiver.....	19
2.5	Service.....	14	10.4	Conseils sur l'utilisation.....	19
3	Règles générales de sécurité.....	14	11	Entretien.....	20
4	Symboles figurant sur la machine.....	15	11.1	Nettoyez la machine.....	20
5	Niveaux de risques.....	16	12	Entreposez la machine.....	20
6	Double isolation.....	16	13	Dépannage.....	20
7	Rallonges électriques.....	16	14	Données techniques.....	20
8	Proposition 65.....	17	15	Garantie limitée.....	20
			16	Vue éclatée.....	22

1 DESCRIPTION

1.1 BUT

La machine est conçue pour ameublir le sol dans un jardin ouvert. Cet appareil ne convient pas à l'utilisation commerciale. Ne l'utilisez pas pour réaliser une tâche commerciale.

1.2 APERÇU



- | | |
|-------------------------------|--------------------------------------|
| 1 Partie supérieure du guidon | 4 Barre de sécurité |
| 2 Poignée inférieure | 5 Bouton de verrouillage de sécurité |
| 3 Écrou à oreilles | 6 Ensemble de roues |

1.3 LISTE DU CONTENU DE L'EMBALLAGE

- | | |
|----------------------------|-------------------------------------|
| 1 Rotoculteur | 6 Goupille de sécurité |
| 2 Goupilles annulaires (2) | 7 Grandes goupilles de sécurité (2) |
| 3 Dents intérieures (2) | 8 Ensemble de roues |
| 4 Dents extérieures (2) | 9 Manuel |
| 5 Feutres (2) | |

2 AVERTISSEMENTS GÉNÉRAUX DE SÉCURITÉ DES OUTILS ÉLECTRIQUES

FR

▲ AVERTISSEMENT

Lisez tous les avertissements de sécurité et toutes les instructions. Le non-respect de ces avertissements et de ces instructions peut entraîner un choc électrique, un incendie et/ou des blessures graves.

Conservez tous les avertissements et instructions pour référence ultérieure.

Le terme « outil électrique » dans les avertissements se réfère à votre outil électrique alimenté (cordés) par secteur.

2.1 SÉCURITÉ DE LA ZONE DE TRAVAIL

- **Gardez la zone de travail propre et bien éclairée.** Les endroits encombrés ou sombres favorisent les accidents.
- **N'utilisez pas les outils électriques dans des environnements explosifs, par exemple en présence de liquides, gaz ou poussières inflammables.** La mise en marche des outils électriques crée des étincelles qui peuvent enflammer la poussière ou les vapeurs.
- **Tenez les enfants et les curieux à l'écart lorsque vous utilisez un outil électrique.** Les distractions peuvent vous faire perdre le contrôle.

2.2 SÉCURITÉ ÉLECTRIQUE

- **Les prises de l'outil électrique doivent être compatibles avec la prise de courant. Ne modifiez jamais la prise d'aucune façon. N'utilisez pas d'adaptateur de prise avec des outils à prise de terre.** Des prises non modifiées et leurs prises de courant respectives réduisent les risques de choc électrique.
- **Évitez que le corps n'entre en contact avec des surfaces mises à la terre comme les tuyaux, les radiateurs, les cuisinières et les réfrigérateurs.** Il y a un risque accru de choc électrique si votre corps est en contact avec la terre.
- **N'exposez pas les outils électriques à des conditions humides ou mouillées.** L'eau qui pénètre dans un outil électrique augmente le risque de choc électrique.
- **N'abusez pas du cordon. N'utilisez jamais le câble pour porter, tirer ou débrancher l'outil.** Éloignez le cordon de la chaleur, de l'huile, des bords tranchants et des pièces mobiles. Les cordons endommagés augmentent le risque d'un choc électrique.
- **Lorsque vous utilisez un outil électrique en extérieur, utilisez une rallonge de câble adaptée à l'usage en extérieur.** Utiliser un câble adapté à un usage en extérieur réduit le risque de choc électrique.
- **Si vous ne pouvez éviter d'utiliser l'outil dans un environnement humide, utilisez une alimentation**

protégée à courant différentiel. *Le respect de cette règle réduira le risque de chocs électriques.*

2.3 SÉCURITÉS DES PERSONNES

- **Restez vigilant, soyez attentif à ce que vous faites et faites preuve de bon sens lorsque vous utilisez un outil électrique. N'utilisez pas l'appareil lorsque vous êtes fatigué, sous l'emprise de l'alcool ou de drogues ou après avoir pris des médicaments.** *Un moment d'inattention lors de l'utilisation d'un outil électrique peut provoquer des blessures corporelles graves.*
- **Utilisez de l'équipement de protection individuelle. Portez toujours des lunettes de protection.** *L'utilisation d'équipement de protection adapté aux conditions de travail (masque anti-poussières, chaussures de sécurité antidérapantes, casque et protections auditives etc.) permet de réduire les risques de blessures corporelles.*
- **Évitez tout démarrage accidentel. Assurez-vous que l'interrupteur est en position d'arrêt avant de brancher à la source d'alimentation et/ou la batterie et quand vous soulevez ou transportez l'appareil.** *Transporter un outil électrique avec un doigt sur l'interrupteur ou le brancher sur une alimentation électrique alors que son interrupteur est en position marche favorise les accidents.*
- **Retirez les clefs de réglage et de serrage avant de mettre l'outil en marche.** *Une clef de réglage ou de serrage restée sur une pièce en rotation de l'outil électrique peut entraîner des blessures corporelles.*
- **Ne vous penchez pas trop en avant. Gardez un bon équilibre en tout temps.** *Ceci permet un meilleur contrôle de l'outil électrique dans des situations inattendues.*
- **Habillez-vous correctement. Ne portez pas de vêtements amples ou de bijoux. Veillez à ne pas approcher vos cheveux, vos vêtements et vos gants des pièces en mouvement.** *Les vêtements amples, les bijoux et les cheveux longs peuvent se prendre dans les pièces en mouvement.*
- **Ne laissez pas l'habitude des fréquentes utilisations vous faire oublier et ignorer les principes de sécurité.** *Une action négligente peut provoquer de graves blessures en une fraction de seconde.*

2.4 UTILISATION ET ENTRETIEN DES OUTILS ÉLECTRIQUES

- **Ne forcez pas l'outil électrique. Utilisez l'outil l'électrique adapté à votre application.** *L'outil électrique approprié fera mieux le travail et sera plus sécuritaire au rythme pour lequel il a été conçu.*
- **N'utilisez pas l'outil électrique si l'interrupteur ne le met pas en marche ou à l'arrêt.** *Tout outil électrique qui ne peut pas être contrôlé avec l'interrupteur est dangereux et doit être réparé.*
- **Débranchez la prise de la source d'alimentation et/ou retirez la batterie avant d'effectuer des réglages, de changer des accessoires ou de ranger l'outil électrique.**

De telles mesures de sécurité préventives réduisent le risque d'un démarrage accidentel de l'outil électrique.

- **Rangez les outils électriques inutilisés hors de portée des enfants et ne laissez pas des personnes qui ne se sont pas familiarisées avec l'outil électrique ou ces instructions l'utiliser.** *Les outils électriques sont dangereux entre les mains des utilisateurs non formés.*
- **Entretenez les outils électriques et les accessoires. Vérifier qu'aucune pièce mobile n'est mal alignée, grippée ou brisée et soyez attentif à toute autre condition qui pourrait affecter le fonctionnement de l'outil électrique. Si il est endommagé, faites réparer l'outil électrique avant de l'utiliser.** *De nombreux accidents sont causés par des outils électriques mal entretenus.*
- **Gardez les outils de coupe propres et tranchants.** *Les outils de coupe bien entretenus avec des bords tranchants sont moins susceptibles de se coincer et sont plus faciles à contrôler.*
- **Utilisez l'outil électrique, les accessoires, les mèches, etc. conformément à ces instructions, en tenant compte des conditions de travail et des travaux à effectuer.** *L'utilisation de l'outil motorisé pour des opérations différentes de celles prévues pourrait entraîner une situation dangereuse.*
- **Veillez à ce que les poignées restent propres, sèches et exemptes d'huile et de graisse.** *Les poignées et surfaces de prise glissantes ne permettent pas de manipuler et de contrôler l'outil dans des situations inattendues.*

2.5 SERVICE

- **Faites effectuer l'entretien de votre outil électrique par un réparateur qualifié en n'utilisant que des pièces de rechange identiques.** *Cela garantira le maintien de la sécurité de l'outil électrique.*
- **Ne réparez jamais un bloc-batterie endommagé.** *L'entretien d'un bloc-batterie ne doit être effectué que par le fabricant ou des fournisseurs de service agréés.*

3 RÈGLES GÉNÉRALES DE SÉCURITÉ

- Pièces de rechange – N'utilisez que des pièces de rechange identiques lors de l'entretien.
- Fiches polarisées – Pour réduire le risque de décharge électrique, cet appareil est équipé d'une fiche polarisée (une lame est plus large que l'autre), et doit être utilisé avec une rallonge polarisée. La fiche ne s'insère dans la rallonge polarisée que dans un sens. Si la fiche ne rentre pas correctement dans la rallonge, inversez-la. Si la fiche ne s'adapte toujours pas, obtenez une rallonge électrique polarisée appropriée. Une rallonge polarisée nécessitera l'utilisation d'une prise murale polarisée. Cette fiche ne s'insère dans la prise murale polarisée que dans un sens. Si la fiche ne rentre pas correctement dans la prise murale, inversez-la. Si la fiche ne s'insère toujours pas dans la prise, communiquez avec un électricien qualifié pour installer une prise appropriée. Ne modifiez pas la

prise de l'équipement, la prise de courant de la rallonge ou la fiche de la rallonge de quelque façon que ce soit.



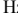








- Évitez les environnements dangereux - N'utilisez pas les appareils dans des endroits humides ou mouillés.
- N'utilisez pas sous la pluie.
- Gardez les enfants à l'écart - Tous les visiteurs doivent être tenus à bonne distance de la zone de travail.
- Habillez-vous correctement – Ne portez pas de vêtements amples ou de bijoux. Ils pourraient se coincer dans les pièces en mouvement. Le port de gants en caoutchouc et de chaussures adaptées est recommandé pour travailler à l'extérieur. Portez un couvre-chef protecteur pour contenir les cheveux longs.
- Portez des lunettes de protection : utilisez toujours un masque facial ou un masque anti-poussière si l'opération est poussiéreuse.
- Utilisez le bon appareil : n'utilisez pas l'appareil pour d'autres tâches que celles auxquelles il est destiné.
- Avertissement – Pour réduire le risque de décharge électrique, n'utilisez que des rallonges conçues pour un usage extérieur, comme une rallonge de type SW-A, SOW-A, STW-A, STOW-A, SJW-A, SJOW-A, SJTW-A, ou SJTOW-A.
- Évitez tout démarrage accidentel – Ne transportez pas l'appareil branché avec un doigt sur l'interrupteur. Assurez-vous que l'interrupteur est éteint lorsque vous branchez l'outil.
- N'utilisez pas le cordon à mauvais escient – Ne transportez jamais le produit par le cordon et ne l'arrachez jamais pour le débrancher de la prise. Éloignez le cordon à l'écart de la chaleur, de l'huile et des bords tranchants.
- Ne saisissez pas les lames ou les arêtes de coupe exposées lorsque vous soulevez ou tenez l'appareil.
- Ne forcez pas l'appareil - Il fera mieux le travail et avec moins de risque de blessure à la vitesse pour laquelle il a été conçu.
- Ne vous penchez pas trop, gardez un bon équilibre en tout temps.
- Soyez vigilant – Faites attention à ce que vous faites. Faites appel à votre bon sens. N'utilisez pas la tondeuse lorsque vous êtes fatigué.
- Débranchez la tondeuse à gazon – Débranchez l'appareil de l'alimentation électrique lorsqu'il n'est pas utilisé, avant l'entretien, lors du remplacement des accessoires tels que les lames, etc.
- Entrez les appareils inutilisés à l'intérieur - Lorsqu'ils ne sont pas utilisés, entreposez-les à l'intérieur, dans un endroit sec, surélevé ou verrouillé, hors de la portée des enfants.
- Entretenez l'appareil avec soin - Gardez les bords tranchants et propres pour une meilleure performance et pour réduire les risques de blessures. Suivez les instructions pour lubrifier et changer les accessoires. Inspectez périodiquement le cordon de l'appareil. S'il est endommagé, faites-le réparer par un réparateur agréé. Inspectez périodiquement les rallonges électriques et

remplacez-les si elles sont endommagées. Veillez à ce que les poignées restent propres, sèches et exemptes d'huile et de graisse.

- Vérifier les pièces endommagées – Avant de continuer à utiliser la machine, il convient de vérifier soigneusement une garde protectrice ou toute autre pièce endommagée pour s'assurer qu'il fonctionnera correctement comme prévu. Vérifiez l'alignement des pièces mobiles, la fixation des pièces mobiles, la cassure des pièces, les fixations endommagées et toute autre condition qui pourrait affecter leur fonctionnement. Une garde protectrice ou toute autre pièce endommagée doit être correctement réparée ou remplacée par un centre de service agréé, sauf en cas d'indication contraire dans ce manuel.




4 SYMBOLES FIGURANT SUR LA MACHINE

Certains des symboles suivants peuvent être utilisés sur ce produit. Veuillez les étudier et apprendre leur signification. Une bonne interprétation de ces symboles vous permettra de mieux utiliser le produit et de manière plus sécuritaire.

Symbole	Explication
	Voltage
	Courant
	Fréquence (cycles par seconde)
	Type ou caractéristique du courant
	Éloignez les pieds et les mains des dents en rotation.
	Précautions destinées à assurer la sécurité.
	Lisez et comprenez toutes les instructions avant d'utiliser cette machine, et suivez tous les avertissements et les consignes de sécurité.
	Portez des lunettes enveloppantes et un casque anti-bruit.
	Tenez-vous à distance d'au moins 15 m.
	Ne pas exposer la machine à la pluie ou à l'humidité.
	Conception à double isolation.

5 NIVEAUX DE RISQUES

Les termes de mise en garde suivants et leur signification ont pour but d'expliquer les niveaux de risques associés à l'utilisation de ce produit.

SYMBOLE	SIGNAL	SIGNIFICATION
	DANGER	Indique une situation dangereuse imminente qui, si elle n'est pas évitée, peut entraîner la mort ou des blessures graves.
	AVERTISSEMENT	Indique une situation potentiellement dangereuse qui, si elle n'est pas évitée, peut entraîner la mort ou des blessures graves.
	MISE EN GARDE	Indique une situation potentiellement dangereuse qui, si elle n'est pas évitée, pourrait causer des blessures mineures ou modérées.
	MISE EN GARDE	(Sans symbole d'alerte de sécurité) indique une situation pouvant entraîner des dommages matériels.

6 DOUBLE ISOLATION

La double isolation est un concept de sécurité pour les outils électriques, ce qui élimine le besoin d'un cordon d'alimentation à trois fils mis à la terre. Toutes les pièces métalliques exposées sont isolées des composants métalliques internes du moteur avec une protection de l'isolation. Les outils à double isolation ne nécessitent pas de mise à terre.

▲ AVERTISSEMENT

Le système à double isolation est destiné à protéger l'utilisateur contre les chocs résultant d'une rupture de l'isolation interne de l'outil. Respectez toutes les mesures de sécurité normales pour éviter les chocs électriques.

i REMARQUE

L'entretien d'un appareil à double isolation nécessite un soin extrême et une connaissance approfondie du système, et ne doit être effectué que par un technicien qualifié. Pour l'entretien, nous vous suggérons de retourner l'outil à votre centre de service autorisé le plus proche pour réparation. Utilisez toujours des pièces de rechange d'origine de l'usine lors de l'entretien.

7 RALLONGES ÉLECTRIQUES

Lorsque vous utilisez un outil électrique à une distance considérable d'une source d'alimentation, assurez-vous

d'utiliser une rallonge électrique capable de supporter le courant que le produit consommera. Un cordon d'alimentation trop petit provoquera une chute de la tension secteur, ce qui entraînera une surchauffe et une perte de puissance. Utilisez le tableau pour déterminer la taille minimale de fil requise pour une rallonge électrique. Seuls les cordons à gaine ronde homologués par les Underwriter's Laboratories (UL) doivent être utilisés.

Lorsque vous travaillez à l'extérieur avec un produit, utilisez une rallonge électrique conçue pour un usage extérieur. Ce type de cordon est désigné par la mention « W-A » ou « W » sur la gaine du cordon. Avant d'utiliser une rallonge électrique, vérifiez qu'il n'y a pas de fils détachés ou exposés et qu'il n'y a pas d'isolant coupé ou usé.

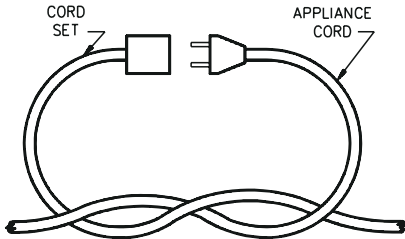
JAUGE MINIMALE POUR RALLONGES (AWG) (EN CAS D'UTILISATION DE 120 V UNIQUEMENT)

Intensité nominale		Longueur totale du cordon en mètres (pieds)			
Plus de	Pas plus de	7,6 m (25')	15 m (50')	30,4 m (100')	45,7 m (150')
0	6	/	/	/	/
6	10	18	16	14	12
10	12	16	16	14	12
12	16	14	12	Pas recommandé	

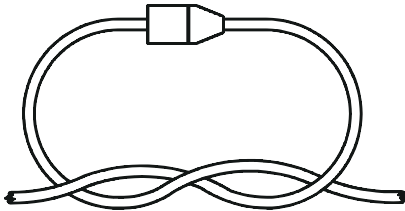
Rallonge électrique – Assurez-vous que votre rallonge est en bon état. Lorsque vous utilisez une rallonge électrique, assurez-vous d'en utiliser une assez lourde pour supporter le courant que votre produit consommera. Un cordon d'alimentation trop petit provoquera une chute de la tension secteur, ce qui entraînera une perte de puissance et une surchauffe. Le tableau indique la taille correcte à utiliser en fonction de la longueur du cordon et de l'intensité nominale de la plaque signalétique. En cas de doute, utilisez la jauge d'une épaisseur supérieure suivante. Plus le numéro de calibre est petit, plus le cordon est épais. Pour réduire le risque de débranchement du cordon de l'appareil de la rallonge pendant le fonctionnement :

1. Faites le nœud comme indiqué sur la figure A. ou
2. Utilisez l'une des sangles de retenue ou l'un des connecteurs du réceptacle de la fiche.

PROCÉDÉ POUR SÉCURISER LA RALLONGE ÉLECTRIQUE



(A) THE CORD AS SHOWN



(B) CONNECT PLUG AND RECEPTACLE

▲ AVERTISSEMENT

Gardez la rallonge électrique à l'écart de la zone de travail. Placez le cordon de manière à ce qu'il ne se coince pas dans le bois, les outils ou d'autres obstructions lorsque vous travaillez avec un outil électrique. Le non-respect de cette consigne peut entraîner des blessures corporelles.

▲ AVERTISSEMENT

Vérifiez les rallonges électriques avant chaque utilisation. S'il est endommagé, remplacez-le immédiatement. N'utilisez jamais l'appareil si le cordon d'alimentation est endommagé, car tout contact avec la zone endommagée pourrait provoquer un choc électrique et entraîner des blessures graves.

8 PROPOSITION 65

▲ AVERTISSEMENT

Ce produit contient un produit chimique connu dans l'état de Californie comme étant une cause de cancer, de malformations congénitales ou d'autres problèmes de reproduction. Certaines poussières produites par le ponçage mécanique, le sciage, le meulage, le perçage et d'autres activités de construction contiennent des produits chimiques connus pour causer le cancer, des malformations congénitales ou d'autres problèmes de reproduction. Voici quelques exemples de ces produits chimiques :

- Plomb provenant de peintures à base de plomb;
- Silice cristalline provenant de briques, de ciment et d'autres produits de maçonnerie;
- Arsenic et chrome provenant de bois traité chimiquement.

Votre risque d'exposition à ces produits chimiques varie selon la fréquence à laquelle vous faites ce type de travail. Pour réduire votre exposition à ces produits chimiques, travaillez dans un endroit bien ventilé et utilisez un équipement de sécurité approuvé, comme des masques anti-poussière spécialement conçus pour filtrer les particules microscopiques.

Conservez ces instructions.

9 INSTALLATION

▲ AVERTISSEMENT

Ne changez pas ou ne fabriquez pas des accessoires qui ne sont pas recommandés par le fabricant.

▲ AVERTISSEMENT

Ne branchez pas la machine à l'alimentation électrique avant d'avoir assemblé toutes les pièces.

9.1 DÉBALLER LA MACHINE

▲ AVERTISSEMENT

Assurez-vous d'assembler correctement la machine avant de l'utiliser.

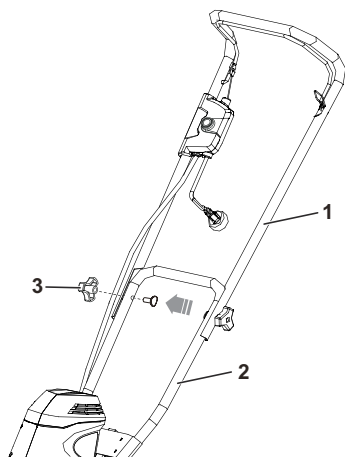
▲ AVERTISSEMENT

- Si les pièces de la machine sont endommagées, ne l'utilisez pas.
- Si vous n'avez pas toutes les pièces, n'utilisez pas la machine.
- Si des pièces sont endommagées ou manquantes, communiquez avec le centre de service.

1. Ouvrez l'emballage.
2. Lisez la documentation contenue dans la boîte.
3. Retirez toutes les pièces non assemblées de la boîte.

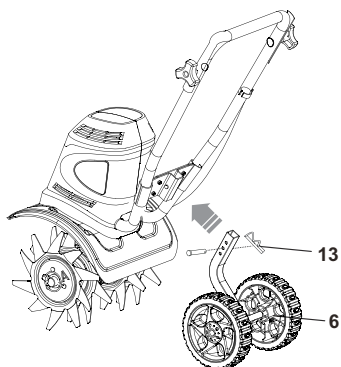
- Retirez la machine de sa boîte.
- Jetez la boîte et l'emballage conformément aux règlements locaux.

9.2 INSTALLEZ LA POIGNÉE



- Alignez les trous de la poignée supérieure (1) avec ceux de la poignée inférieure (2).
- Introduisez les boulons dans les trous de la poignée.
- Utilisez les écrous à oreilles (3) pour serrer.

9.3 INSTALLEZ LA ROUE



- Insérez l'ensemble de la roue (6) dans la tige de support.
- Alignez le trou de l'ensemble de la roue dans la position désirée.
- Glissez le boulon dans le trou et fixez la petite goupille de sécurité (13) au boulon.

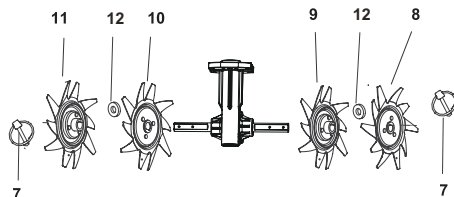
i REMARQUE

La position de la roue de la machine est réglable, vous pouvez contrôler la profondeur de l'opération d'ameublissement en réglant la position de la roue.

i REMARQUE

Les roues peuvent être démontées pour un ameublissement plus en profondeur.

9.4 INSTALLEZ LES DENTS



Le cultivateur possède quatre dents - deux dents intérieures estampées B et C et deux dents extérieures estampées A et D. Pour un fonctionnement correct de la machine, les dents doivent être installées dans la bonne orientation.

- Placez la machine sur une surface plane et régulière.
- Placez la dent C (10) sur l'arbre porte-dents à gauche de la boîte d'engrenage. Le côté estampé de la dent doit être tourné vers l'extérieur de la boîte d'engrenage.
- Placez la dent B (9) sur l'arbre porte-dents à droite de la boîte d'engrenage. Le côté estampé de la dent doit être tourné vers l'extérieur de la boîte d'engrenage.
- Placez la rondelle en feutre (12) de chaque côté de l'arbre porte-dents et faites-la glisser pour qu'elle repose contre la dent intérieure.
- Placez la dent extérieure estampillée D (11) sur le côté gauche de l'arbre porte-dents. Le côté estampillé doit être tourné vers l'intérieur, vers la dent C.
- Placez la dent extérieure estampillée A (8) sur le côté gauche de l'arbre porte-dents. Le côté estampillé doit être tourné vers l'intérieur, vers la dent B.
- Pour fixer les dents à l'arbre porte-dents, insérez les goupilles annulaires (7) dans les trous situés de chaque côté de l'arbre porte-dents.

i REMARQUE

La machine ne fonctionnera pas correctement si les dents ne sont pas installées correctement. Si vous remarquez un problème avec l'opération de culture de la machine, vérifiez le positionnement correct des dents.

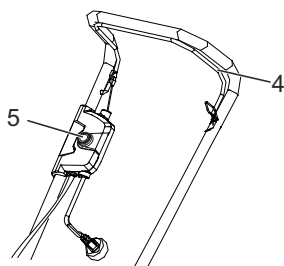
▲ AVERTISSEMENT

Les dents et la machine peuvent être endommagées même si vous déplacez la machine avec le moteur à l'arrêt. Pour éviter que les dents ne touchent le sol pendant le déplacement, inclinez la machine.

10 APPLICATIONS

- Travailler la terre à jardin pour préparer le lit de semence.
- Cultiver à faible profondeur pour éliminer les mauvaises herbes.

10.1 DÉMARRER LA MACHINE



1. Raccordez la machine à une rallonge électrique extérieure approuvée.
2. Appuyez sur le bouton de verrouillage de sécurité (5).
3. Tirez la barre de sécurité (4) vers la poignée pendant que vous maintenez le bouton de verrouillage de sécurité enfoncé.
4. Relâchez le bouton de verrouillage de sécurité.

▲ AVERTISSEMENT

Tenez la machine avec les deux mains pendant le fonctionnement.

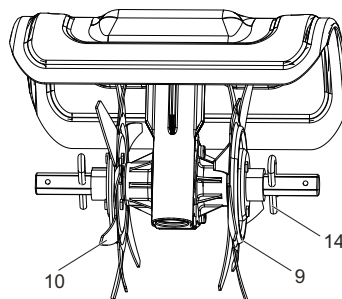
i REMARQUE

Restez derrière la machine avec les dents au sol et la zone de travail propre et libre de tout obstacle.

10.2 ARRÊTEZ LA MACHINE

1. Relâchez l'interrupteur d'arrêt d'urgence pour arrêter la machine.

10.3 RÉDUISEZ LA LARGEUR DE LA SURFACE À CULTIVER



Les deux lames de dents extérieures peuvent être retirées de la machine pour réduire la largeur de la surface à cultiver.

1. Retirez les goupilles annulaires des trous situés aux extrémités de l'arbre porte-dents.
2. Retirez les dents extérieures et les feutres de l'arbre porte-dents.
3. Placez les grandes goupilles de sécurité (14) dans les trous.

10.4 CONSEILS SUR L'UTILISATION

Le cultivateur peut être utilisé pour labourer le sol du jardin et préparer un lit de semence pour la plantation. Planifiez à l'avance pour laisser suffisamment d'espace entre les rangées de semences pour permettre la culture mécanique après la croissance des plantes.

1. Plusieurs passages sur le même parcours peuvent être nécessaires pour atteindre la profondeur souhaitée. N'essayez pas de creuser trop profondément au premier passage.
2. Si la machine saute ou saute, laissez l'appareil avancer un peu plus vite ou installez une roue.
3. Si le cultivateur reste et s'enfonce à un endroit, essayez de le balancer d'un côté à l'autre afin de le faire avancer à nouveau.
4. Si le sol est très dur, arrosez quelques jours avant la culture. Évitez de travailler le sol lorsqu'il est détrempé ou mouillé. Attendez un jour ou deux après de fortes pluies pour que le sol sèche.
5. Les cultures peu profondes de moins de 5 cm de profondeur peuvent être utilisées pour déraciner les mauvaises herbes et aérer le sol, sans endommager les racines des plantes voisines. Il faut le faire régulièrement afin d'éviter que les mauvaises herbes ne grossissent et ne se coincent dans les dents de l'appareil.

11 ENTRETIEN

▲ ATTENTION

Évitez que les liquides de freins, l'essence et les matériaux à base de pétrole ne viennent en contact avec les pièces en plastique. Les produits chimiques peuvent endommager le plastique et le rendre inutilisable.

▲ ATTENTION

N'utilisez pas de solvants ou de détergents puissants sur le boîtier ou les composants en plastique.

▲ AVERTISSEMENT

Retirez la batterie de la machine avant l'entretien.

11.1 NETTOYEZ LA MACHINE

▲ AVERTISSEMENT

Veillez à ce que la machine et le moteur soient exempts de feuilles, de branches ou d'huile excessive afin d'éviter tout risque d'incendie.

- Utilisez un chiffon humide et un détergent doux pour nettoyer la machine.
- Nettoyez toute l'humidité avec un chiffon doux et sec.
- Utilisez une petite brosse pour nettoyer les événements d'aération.

12 ENTREPOSEZ LA MACHINE

- Nettoyez la machine avant de l'entreposer.
- Assurez-vous que le moteur n'est pas chaud lorsque vous entreposez la machine.
- Assurez-vous que la machine n'a pas de pièces mal fixées ou endommagées. Au besoin, suivez ces étapes/instructions :
 - Remplacez les pièces endommagées.
 - Serrez les boulon.
 - Parlez à une personne d'un centre de service certifié.
- Entreposez la machine dans un endroit sec.
- Assurez-vous que les enfants ne peuvent pas s'approcher de la machine.

13 DÉPANNAGE

Problème	Cause possible	Solution
Le moteur ne démarre pas lorsque l'interrupteur des phares est enfoncé.	Le cordon d'alimentation n'est pas branché ou la connexion est lâche.	Branchez le cordon d'alimentation.
	Le disjoncteur domestique s'est déclenché.	Vérifiez le disjoncteur.

Problème	Cause possible	Solution
La machine dégage de la fumée pendant le fonctionnement.	La machine est endommagée.	<ol style="list-style-type: none"> 1. Arrêtez la machine immédiatement. 2. Débranchez la machine. 3. Communiquez avec le centre de service.
Le moteur tourne mais les dents ne bougent pas.	La machine est endommagée.	N'utilisez pas la machine et communiquez avec le centre de service.
	Les dents sont bloquées.	Débranchez la machine puis dégagéz les dents de tout blocage.
	Panne du train d'engrenages.	Communiquez avec le centre de service.

14 DONNÉES TECHNIQUES

Puissance	120V, 60Hz, 8A
Vitesse à vide	320 tr/min
Largeur de labourage	Max. 10-1/4"
Poids	26,2 lb (11,9 kg)
Profondeur de labourage	5" (12,7 cm)

15 GARANTIE LIMITÉE



Greenworks garantit par la présente ce produit, à l'acheteur original avec preuve d'achat, pour une période de trois (3) ans contre tout défaut de matériaux, de pièces ou de main-d'œuvre. Greenworks, à sa propre discrétion, réparera ou remplacera toutes les pièces défectueuses, dans des conditions normales d'utilisation, sans frais pour le client. Cette garantie n'est valable que pour les appareils qui ont été utilisés à des fins personnelles, qui n'ont pas été loués à des fins industrielles ou commerciales et qui ont été entretenus conformément aux instructions du manuel du propriétaire fourni avec le produit neuf.

ARTICLES NON COUVERTS PAR LA GARANTIE :

1. Toute pièce qui est devenue inopérante en raison d'une mauvaise utilisation, d'une utilisation commerciale, d'un abus, d'une négligence, d'un accident, d'un entretien inapproprié ou d'une modification; ou
2. L'appareil, s'il n'a pas été utilisé et/ou entretenu conformément au manuel du propriétaire; ou
3. Usure normale, sauf comme indiqué ci-dessous;
4. Articles d'entretien courant tels que lubrifiants, affûtage des lames;
5. Détérioration normale du fini extérieur due à l'utilisation ou à l'exposition.

ASSISTANCE TÉLÉPHONIQUE :

Le service de garantie est accessible en appelant notre ligne d'assistance téléphonique sans frais, au 1-888-909-6757.

FRAIS DE TRANSPORT :

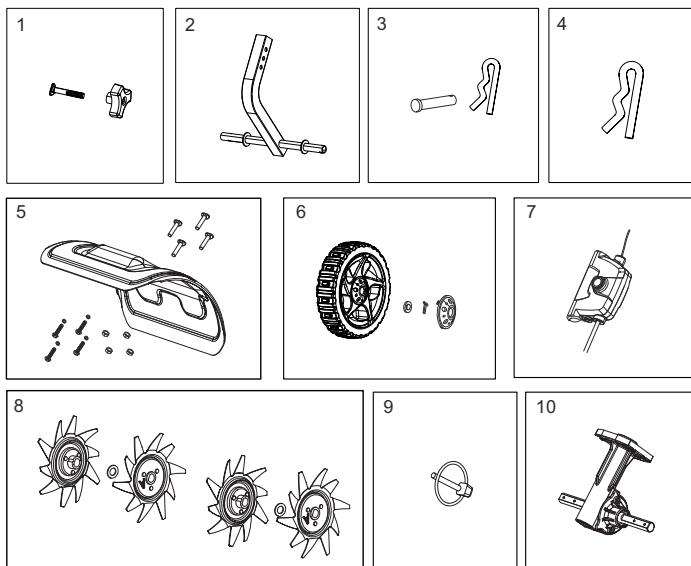
Les frais de transport pour le déplacement de tout équipement motorisé ou accessoire sont à la charge de l'acheteur. Il incombe à l'acheteur de payer les frais de transport pour toute pièce retournée pour remplacement en vertu de la présente garantie, à moins qu'un tel retour soit demandé par écrit par Greenworks.

Adresse aux États-Unis : Adresse au Canada :

Greenworks Tools	Greenworks Tools Canada Inc.
P.O. Box 1238	P.O. Box 93095, Newmarket, Ontario
Mooresville, NC 28115	L3Y 8K3

16 VUE ÉCLATÉE

FR



No	No de pièce	Qté	Description	No	No de pièce	Qté	Description
1	R0201747-00	1	Ensemble du bouton de la poignée	6	R0200155-00	1	Roue
2	R0201748-00	1	Ensemble du support des roues	7	R0202454-00	1	Boîte d'engagement du moteur
3	R0201203-00	1	Petite goupille de sécurité	8	R0201208-00	1	Ensemble de dents
4	R0201207-00	1	Grande goupille de sécurité	9	R0201209-00	1	Goupille annulaire
5	R0201749-00	1	Bouclier	10	R0201750-00	1	Boîte d'engrenage

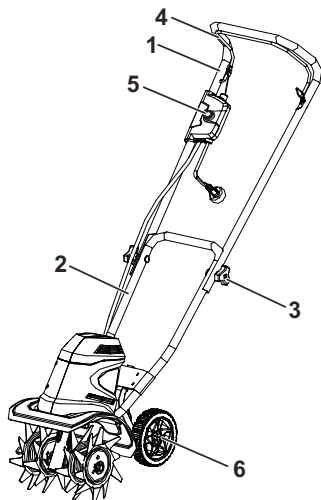
<p>1 Descripción.....24</p> <p>1.1 Finalidad..... 24</p> <p>1.2 Perspectiva general..... 24</p> <p>1.3 Lista de embalaje..... 24</p> <p>2 Advertencias generales de seguridad para herramientas eléctricas..... 24</p> <p>2.1 Seguridad de la zona de trabajo..... 24</p> <p>2.2 Seguridad eléctrica..... 24</p> <p>2.3 Seguridad personal..... 24</p> <p>2.4 Utilización y cuidado de herramientas eléctricas..... 25</p> <p>2.5 Servicio..... 25</p> <p>3 Normas generales de seguridad..... 25</p> <p>4 Símbolos en el producto..... 26</p> <p>5 Niveles de riesgo..... 26</p> <p>6 Doble aislamiento..... 27</p> <p>7 Cables alargadores..... 27</p>	<p>8 Propuesta 65.....28</p> <p>9 Instalación..... 28</p> <p>9.1 Desembalaje de la máquina..... 28</p> <p>9.2 Instalación del asa..... 28</p> <p>9.3 Instalación de la rueda..... 29</p> <p>9.4 Instalación de los dientes..... 29</p> <p>10 Aplicaciones..... 29</p> <p>10.1 Puesta en marcha de la máquina..... 29</p> <p>10.2 Detención de la máquina..... 30</p> <p>10.3 Anchura de cultivo estrecha..... 30</p> <p>10.4 Consejos de funcionamiento..... 30</p> <p>11 Mantenimiento.....30</p> <p>11.1 Limpieza de la máquina..... 30</p> <p>12 Almacenamiento de la máquina.....30</p> <p>13 Solución de problemas..... 31</p> <p>14 Datos técnicos..... 31</p> <p>15 Garantía limitada..... 31</p> <p>16 Vista despiezada..... 32</p>
---	--

1 DESCRIPCIÓN

1.1 FINALIDAD

La máquina se ha diseñado para aflojar la tierra en una zona ajardinada abierta. Este producto no está destinado para un uso comercial. No lo use para ninguna tarea comercial.

1.2 PERSPECTIVA GENERAL



- | | |
|----------------------------|---------------------------------|
| 1 Asa superior | 5 Botón de bloqueo de seguridad |
| 2 Asa inferior | 6 Conjunto de las ruedas |
| 3 Tuerca de mariposa | |
| 4 Interruptor de seguridad | |

1.3 LISTA DE EMBALAJE

- | | |
|---------------------------|-------------------------------------|
| 1 Cultivador | 6 Pasador de enganche |
| 2 Pasadores de anillo (2) | 7 Pasadores de enganche grandes (2) |
| 3 Dientes interiores (2) | 8 Conjunto de las ruedas |
| 4 Dientes exteriores (2) | 9 Manual |
| 5 Filtros (2) | |

2 ADVERTENCIAS GENERALES DE SEGURIDAD PARA HERRAMIENTAS ELÉCTRICAS

▲ AVISO

Lea todas las advertencias de seguridad y todas las instrucciones. El incumplimiento de las advertencias e instrucciones puede provocar descargas eléctricas, incendios o lesiones graves.

Guarde todas las advertencias e instrucciones para su consulta posterior.

El término “herramienta eléctrica” empleado en las advertencias se refiere a su herramienta eléctrica con funcionamiento de red (con cable).

2.1 SEGURIDAD DE LA ZONA DE TRABAJO

- **Mantenga limpia y bien iluminada la zona de trabajo.** *Las zonas desordenadas u oscuras fomentan los accidentes.*
- **No utilice herramientas eléctricas en atmósferas explosivas, como en la presencia de líquidos, gases o polvo que puedan inflamarse.** *Las herramientas eléctricas generan chispas que pueden encender el polvo o los gases.*
- **Mantenga alejados a los niños y los transeúntes mientras utilice una herramienta eléctrica.** *Las distracciones pueden hacer que pierda el control.*

2.2 SEGURIDAD ELÉCTRICA

- **Los enchufes de las herramientas eléctricas deben corresponder con la toma de corriente. Nunca modifique el enchufe en modo alguno. No utilice enchufes adaptadores con herramientas eléctricas conectadas a tierra.** *La utilización de enchufes no modificados y de tomas de corriente adecuadas reducirá el riesgo de descarga eléctrica.*
- **Evite el contacto del cuerpo con superficies conectadas a tierra, como tuberías, radiadores, estufas y refrigeradores.** *Existe un riesgo aumentado de descarga eléctrica si su cuerpo está conectado a tierra.*
- **No exponga las herramientas eléctricas a la lluvia o a condiciones de humedad.** *Si penetra agua en una herramienta eléctrica, aumentará el riesgo de descarga eléctrica.*
- **No abuse del cable. Nunca utilice el cable para transportar, tirar o desenchufar la herramienta eléctrica. Mantenga el cable alejado del calor, el aceite, los bordes afilados y las piezas móviles.** *Los cables dañados o enredados aumentan el riesgo de descarga eléctrica.*
- **Cuando utilice una herramienta eléctrica en exteriores, use un cable alargador adecuado para uso en exterior.** *La utilización de un cable adecuado para uso en exterior reduce el riesgo de descarga eléctrica.*
- **Si no es inevitable el uso de una herramienta eléctrica en un lugar húmedo, utilice un suministro protegido por un DISPOSITIVO DE CORRIENTE RESIDUAL (RCD).** *La utilización de un RCD reduce el riesgo de descarga eléctrica.*

2.3 SEGURIDAD PERSONAL

- **Manténgase alerta, observe lo que está haciendo y emplee el sentido común cuando utilice una herramienta eléctrica.** *No utilice una herramienta*

eléctrica mientras esté cansado o bajo la influencia de drogas, alcohol o medicamentos. *Un momento de inatención durante el uso de herramientas eléctricas puede provocar lesiones personales graves.*

- **Utilice equipos de protección personal. Lleve siempre protección ocular.** *Si se utilizan correctamente equipos de protección como máscaras antipolvo, zapatos de seguridad antideslizantes, cascos o protecciones auditivas, se reducirán las lesiones personales.*
- **Evite el arranque accidental. Asegúrese de que el interruptor esté en la posición de apagado antes de conectar a la fuente de alimentación o a la batería y al coger o transportar la herramienta.** *El transporte de herramientas eléctricas con el dedo en el interruptor o la conexión de herramientas eléctricas que tienen el interruptor activado fomenta los accidentes.*
- **Retire cualquier llave de ajuste antes de encender la herramienta eléctrica.** *Una llave que se quede fijada a una pieza giratoria de la herramienta eléctrica puede provocar lesiones personales.*
- **No se estire. Mantenga en todo momento una postura adecuada y el equilibrio.** *Esto permite un mejor control de la herramienta eléctrica en situaciones inesperadas.*
- **Lleve indumentaria adecuada. No lleve ropa o joyas sueltas.** *Mantenga el cabello, la ropa y los guantes lejos de las piezas móviles. La ropa suelta, las joyas o el cabello largo pueden quedar atrapados en las piezas móviles.*
- **No permita que la familiaridad adquirida con el uso frecuente de las herramientas le permita ser confiado e ignore los principios de seguridad de las herramientas.** *Una acción descuidada puede provocar lesiones graves en una fracción de segundo.*

2.4 UTILIZACIÓN Y CUIDADO DE HERRAMIENTAS ELÉCTRICAS

- **No fuerce la herramienta eléctrica. Utilice la herramienta eléctrica correcta para su aplicación.** *La herramienta eléctrica correcta hará el trabajo mejor y con mayor seguridad a la velocidad para la que se diseñó.*
- **No utilice la herramienta eléctrica si el interruptor no la enciende y la apaga.** *Cualquier herramienta eléctrica que no pueda controlarse con el interruptor es peligrosa y debe repararse.*
- **Desconecte el enchufe de la fuente de alimentación o retire la batería de la herramienta eléctrica antes de realizar ajustes, cambiar accesorios o almacenar herramientas eléctricas.** *Estas medidas de seguridad preventivas reducen el riesgo de que la herramienta eléctrica se arranque accidentalmente.*
- **Almacene las herramientas eléctricas inactivas fuera del alcance de los niños y no permita que personas que no estén familiarizadas con la herramienta eléctrica o estas instrucciones puedan utilizarla.** *Las herramientas eléctricas son peligrosas en manos de usuarios inexpertos.*

- **Mantenga las herramientas eléctricas y los accesorios. Compruebe si hay desalineación o unión de las piezas móviles, rotura de piezas y cualquier otra condición que pueda afectar al funcionamiento de la herramienta eléctrica.** *Si ha sufrido daños, lleve a reparar la herramienta eléctrica antes del uso. Numerosos accidentes se deben a herramientas eléctricas mal mantenidas.*
- **Mantenga limpias y afiladas las herramientas de corte.** *Las herramientas de corte mantenidas correctamente con filos cortantes tienen menos probabilidades de atascarse y son más fáciles de controlar.*
- **Utilice la herramienta eléctrica, los accesorios, las brocas, etc. de acuerdo con estas instrucciones, teniendo en cuenta las condiciones de trabajo y el trabajo a realizar.** *El uso de la herramienta eléctrica para operaciones distintas de las previstas podría dar lugar a una situación peligrosa.*
- **Mantenga las asas y las superficies de agarre secas, limpias y sin restos de aceite y grasa.** *Las asas y las superficies de agarre resbaladizas no permiten un manejo y control seguros de la herramienta en situaciones inesperadas.*

2.5 SERVICIO

- **Solicite a un técnico de reparación cualificado que realice las tareas de servicio de su herramienta eléctrica utilizando únicamente piezas de repuesto idénticas.** *Esto garantizará el mantenimiento de la seguridad de la herramienta eléctrica.*
- **Nunca repare las baterías dañadas.** *La reparación de las baterías únicamente debe ser realizada por el fabricante o los proveedores de servicio técnico autorizados.*

3 NORMAS GENERALES DE SEGURIDAD

- **Piezas de repuesto** – Cuando realice tareas de servicio utilice únicamente piezas de repuesto idénticas.
- **Conexiones polarizadas del aparato** – Para reducir el riesgo de descarga eléctrica, este aparato tiene un enchufe polarizado (una clavija es más ancha que la otra) y debe utilizarse con un cable alargador polarizado. El enchufe del aparato solo encajará en un cable alargador polarizado de una manera. Si el enchufe no encaja completamente en el cable alargador, invierta el enchufe. Si el enchufe sigue sin encajar, obtenga un cable alargador polarizado correcto. Un cable alargador polarizado debe enchufarse en una toma de pared polarizada. Este enchufe solo encajará en la toma de pared polarizada de una manera. Si el enchufe no encaja completamente en la toma de pared, invierta el enchufe. Si el enchufe sigue sin encajar, contacte con un electricista cualificado para instalar una toma de pared adecuada. No cambie en modo alguno el enchufe del equipo, el receptáculo del cable alargador ni el enchufe del cable alargador.

- Evite los entornos peligrosos – No utilice los aparatos en lugares húmedos o mojados.
- No utilice bajo la lluvia.
- Mantenga alejados a los niños – Todos los visitantes deben mantenerse a una distancia segura de la zona de trabajo.
- Lleve indumentaria adecuada – No lleve ropa o joyas sueltas. Pueden quedar atrapadas en las piezas móviles. Se recomienda el uso de guantes de goma y calzado resistente cuando se trabaje en el exterior. Lleve una protección capilar para sujetar el cabello largo.
- Lleve gafas de seguridad – Utilice siempre una máscara facial o antipolvo si se levanta polvo durante el funcionamiento.
- Utilice el aparato adecuado – No utilice el aparato para trabajos distintos del previsto.
- Advertencia – Para reducir el riesgo de descarga eléctrica, utilice únicamente con un cable alargador diseñado para uso en exteriores, como un cable alargador tipo SW-A, SOW-A, STW-A, STOW-A, SJW-A, SJOW-A, SJTW-A. o SJTOW-A.
- Evite la puesta en marcha accidental – No transporte un aparato enchufado con el dedo sobre el interruptor. Asegúrese de que el interruptor esté desactivado al enchufar.
- No maltrate el cable – Nunca transporte el aparato por el cable ni tire de este para desconectar del enchufe. Mantenga el cable alejado del calor, el aceite y los bordes afilados.
- No agarre las cuchillas de corte expuestas o los filos de corte cuando levante o sujete el aparato.
- No fuerce el aparato – Hará el trabajo mejor y con menos probabilidades de sufrir lesiones a la velocidad para la que se diseñó.
- No se estire – Mantenga en todo momento una postura adecuada y el equilibrio.
- Manténgase alerta – Observe lo que está haciendo en todo momento. Utilice el sentido común. No utilice el aparato cuando esté cansado.
- Desconexión del aparato – Desconecte el aparato de la fuente de alimentación cuando no esté en uso, antes de realizar tareas de servicio, cuando cambie accesorios, como cuchillas, y similar.
- Almacene los aparatos en interior – Cuando no estén en uso, los aparatos deben almacenarse en interiores, en un lugar seco y alto o cerrado, fuera del alcance de los niños.
- Cuide el mantenimiento del aparato – Mantenga el filo afilado y limpio para un mejor rendimiento y para reducir el riesgo de lesiones. Siga las instrucciones para la lubricación y el cambio de accesorios. Inspeccione periódicamente el cable del aparato, y si está dañado, haga que lo repare un centro de servicio técnico autorizado. Inspeccione periódicamente los cables alargadores y sustitúyalos si están dañados. Mantenga las asas secas, limpias y sin restos de aceite y grasa.
- Compruebe las piezas dañadas – Antes de seguir utilizando el aparato, una protección u otra pieza dañada

debe comprobarse detenidamente para determinar si funcionará correctamente y cumplirá su función prevista. Compruebe la alineación de las piezas móviles, la unión de las piezas móviles, la rotura de piezas, el montaje y cualquier otra condición que pueda afectar a su funcionamiento. Una protección u otra pieza que esté dañada debe ser reparada o sustituida debidamente por un centro de servicio autorizado, a menos que se indique lo contrario en este manual.


4 SÍMBOLOS EN EL PRODUCTO

En el producto pueden utilizarse algunos de los siguientes símbolos. Le rogamos que los estudie y aprenda su significado. La interpretación correcta de estos símbolos le permitirá manejar el producto mejor y de manera más segura.

Símbolo	Explicación
V	Tensión
A	Corriente
Hz	Frecuencia (ciclos por segundo)
	Tipo o una característica de corriente
	Mantenga los pies y las manos alejados de los dientes giratorios.
	Precauciones que afectan a su seguridad.
	Debe leer y entender todas las instrucciones antes de manejar el producto, así como seguir todas las advertencias e instrucciones de seguridad.
	Lleve protección ocular y auditiva.
	Mantenga a los transeúntes al menos a 15 m.
	No exponga el producto a la lluvia o a condiciones de humedad.
	Estructura con doble aislamiento.

5 NIVELES DE RIESGO

Las siguientes indicaciones y significados tienen como fin explicar los niveles de riesgo asociados a este producto.

SÍMBOLO	INDICACIÓN	SIGNIFICADO
	PELIGRO	Indica una situación de peligro inminente que, de no evitarse, provocará lesiones graves o incluso la muerte.
	ADVERTENCIA	Indica una situación de peligro potencial que, de no evitarse, podría provocar lesiones graves o incluso la muerte.
	PRECAUCIÓN	Indica una situación de peligro potencial que, de no evitarse, puede provocar lesiones leves o moderadas.
	PRECAUCIÓN	(Sin símbolo de alerta sobre seguridad) Indica una situación que puede provocar daños materiales.

6 DOBLE AISLAMIENTO

El doble aislamiento es un concepto de seguridad en herramientas eléctricas, que elimina la necesidad del cable de alimentación trifilar habitual con tierra. Todas las piezas metálicas expuestas están aisladas de los componentes metálicos internos del motor mediante aislamiento protector. Las herramientas con doble aislamiento no necesitan conectarse a tierra.

▲ AVISO

El sistema de doble aislamiento se ha diseñado para proteger al usuario de descargas que resulten de una ruptura en el aislamiento interno de la herramienta. Respete todas las precauciones de seguridad habituales para evitar descargas eléctricas.

i NOTA

Las tareas de servicio en un producto con doble aislamiento exigen un cuidado extremo y un buen conocimiento del sistema y únicamente debe realizarlas un técnico de servicio cualificado. Para cuestiones de servicio, le recomendamos que devuelva la herramienta al centro de servicio autorizado más cercano para su reparación. Utilice siempre piezas de repuesto originales de fábrica cuando realice tareas de servicio.

7 CABLES ALARGADORES

Cuando utilice una herramienta eléctrica a una distancia considerable de una fuente de alimentación, asegúrese de utilizar un cable alargador que tenga la capacidad de manejar la corriente que utilizará el producto. Un cable de tamaño insuficiente producirá una caída en la tensión de la línea, lo que a su vez generará sobrecalentamiento y pérdida de energía. Utilice el gráfico para determinar el tamaño mínimo de cable necesario en un cable alargador. Únicamente deben

utilizarse cables redondos revestidos con certificación de Underwriter's Laboratories (UL).

Cuando trabaje en el exterior con un producto, utilice un cable alargador que se haya diseñado para uso en exterior. Este tipo de cable está designado "W-A" o "W" en el revestimiento del cable. Antes de utilizar cualquier cable alargador, inspeccione si hay hilos sueltos o expuestos y si el aislamiento está cortado o desgastado.

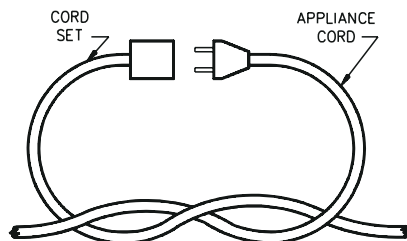
CALIBRE MÍNIMO PARA LOS CABLES ALARGADORES (AWG) (CUANDO SE UTILIZAN SOLAMENTE 120 V)

Amperaje nominal		Longitud total del cable en pies (metros)			
Más de	No más de	25' (7,6 m)	50' (15 m)	100' (30,4 m)	150' (45,7 m)
0	6	/	/	/	/
6	10	18	16	14	12
10	12	16	16	14	12
12	16	14	12	No se recomienda	

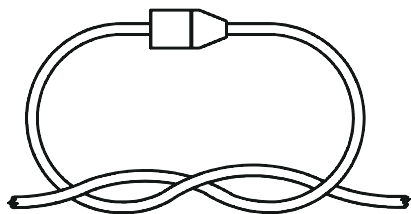
Cable alargador – Asegúrese de que su cable alargador esté en buenas condiciones. Cuando utilice un cable alargador, asegúrese de utilizar uno lo suficientemente pesado como para transportar la corriente que su producto consumirá. Un cable alargador de tamaño insuficiente producirá una caída en la tensión, lo que a su vez generará pérdida de energía y sobrecalentamiento. La tabla muestra el tamaño correcto a utilizar según la longitud del cable y el amperaje nominal de la placa de identificación. En caso de duda, utilice el siguiente calibre más pesado. Cuanto menor sea el número de calibre, más pesado es el cable. Para reducir el riesgo de desconexión del cable del aparato del cable alargador durante el funcionamiento:

1. Haga un nudo como se muestra en la Figura A. o
2. Utilice una de las correas o conectores de retención del receptáculo del enchufe.

MÉTODO PARA FIJAR EL CABLE ALARGADOR



(A) THE CORD AS SHOWN



(B) CONNECT PLUG AND RECEPTACLE

▲ AVISO

Mantenga el cable alargador alejado de la superficie de trabajo. Coloque el cable de manera que no quede atrapado en madera, herramientas u otras obstrucciones mientras trabaja con una herramienta eléctrica. De no hacerlo podrían producirse lesiones personales graves.

▲ AVISO

Compruebe los cables alargadores antes de cada uso. En caso de daños sustituya inmediatamente. Nunca utilice el producto con un cable dañado, ya que si toca la zona dañada podría producirse una descarga eléctrica con las consiguientes lesiones graves.

8 PROPUESTA 65

▲ AVISO

Este producto contiene una sustancia química conocida en el estado de California como causante de cáncer, defectos de nacimiento u otros daños reproductivos. El polvo generado por el lijado eléctrico, el serrado, el esmerilado, la perforación y otras actividades de construcción contiene sustancias químicas que se sabe que son causantes de cáncer, defectos de nacimiento u otros daños reproductivos. Algunos ejemplos de estas sustancias químicas son:

- Plomo de pinturas con base de plomo;
- Sílice cristalina de ladrillos y cemento y otros productos de albañilería;
- Arsénico y cromo de la madera tratada químicamente.

El riesgo de exposición a estas sustancias químicas varía según la frecuencia con la que realice este tipo de trabajo. Para reducir su exposición a estas sustancias químicas, trabaje en una zona bien ventilada y trabaje con equipos de seguridad aprobados, como máscaras antipolvo, que estén especialmente diseñadas para filtrar partículas microscópicas.

Conserve estas instrucciones.

9 INSTALACIÓN

▲ AVISO

No cambie ni utilice accesorios que no sean los recomendados por el fabricante.

▲ AVISO

No conecte la máquina a la fuente de alimentación hasta que haya montado todas las piezas.

9.1 DESEMBALAJE DE LA MÁQUINA

▲ AVISO

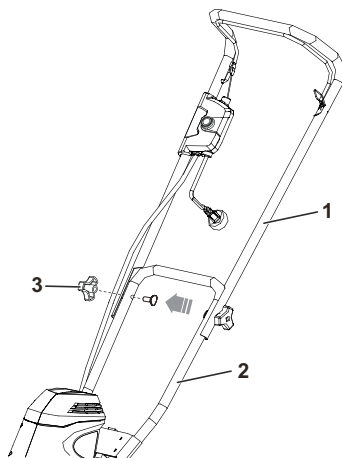
Asegúrese de montar correctamente la máquina antes del uso.

▲ AVISO

- Si las piezas de la máquina presentan daños, no utilice la máquina.
- Si no tiene todas las piezas, no utilice la máquina.
- Si faltan piezas o hay piezas dañadas, contacte con el centro de servicio.

1. Abra el embalaje.
2. Lea la documentación que se proporciona en la caja.
3. Retire todas las piezas sin montar de la caja.
4. Retire la máquina de la caja.
5. Deseche la caja y el material de embalaje de conformidad con los reglamentos locales.

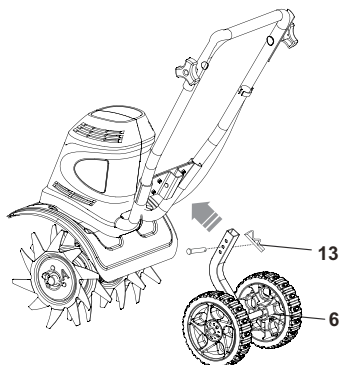
9.2 INSTALACIÓN DEL ASA



1. Alinee los orificios del asa superior (1) con los orificios del asa inferior (2).

2. Introduzca los pernos por las asas.
3. Utilice las tuercas de mariposa (3) para apretarlos.

9.3 INSTALACIÓN DE LA RUEDA



1. Inserte el conjunto de las ruedas (6) en la barra de soporte.
2. Alinee el orificio del conjunto de las ruedas en la posición deseada.
3. Deslice el perno por el orificio y fije el pasador de enganche pequeño (13) al perno.

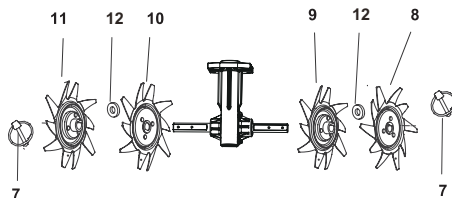
NOTA

La posición de las ruedas de la máquina es ajustable. Puede controlar la profundidad de funcionamiento mediante el ajuste de la posición de las ruedas.

NOTA

Las ruedas pueden quitarse para una profundidad de labrado mayor.

9.4 INSTALACIÓN DE LOS DIENTES



El cultivador tiene cuatro dientes - dos dientes interiores estampados B y C y dos dientes exteriores estampados A y D. Para el correcto funcionamiento de la unidad, los dientes deben instalarse en la orientación correcta.

1. Coloque la máquina sobre una superficie plana y lisa.

2. Coloque el diente C (10) en el eje de los dientes a la izquierda de la caja de engranajes. El lado estampado del diente debe quedar alejado de la caja de engranajes.
3. Coloque el diente B (9) en el eje de los dientes a la derecha de la caja de engranajes. El lado estampado del diente debe quedar alejado de la caja de engranajes.
4. Coloque una arandela de fieltro (12) a cada lado del eje de los dientes y deslice para apoyarla contra los dientes interiores.
5. Coloque el diente exterior D (11) en el lado izquierdo del eje de los dientes. El lado estampado debe mirar hacia el diente C.
6. Coloque el diente exterior A (8) en el lado derecho del eje de los dientes. El lado estampado debe mirar hacia el diente B.
7. Para fijar los dientes al eje de los dientes, inserte los pasadores de anillo (7) en los orificios situados a ambos lados del eje de los dientes.

NOTA

La unidad no funcionará correctamente si los dientes están instalados incorrectamente. Si observa un problema con la operación de cultivo de la unidad, compruebe la colocación correcta de los dientes.

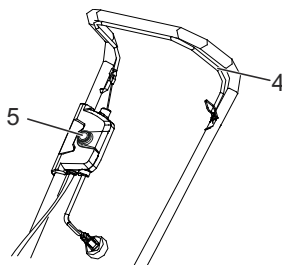
AVISO

Los dientes y la máquina pueden sufrir daños incluso si mueve la máquina con el motor apagado. Para evitar que los dientes toquen el suelo durante el movimiento, incline la máquina.

10 APLICACIONES

- Disgregado de la tierra del jardín para preparar semilleros para la plantación.
- Cultivo superficial para eliminar las malas hierbas.

10.1 PUESTA EN MARCHA DE LA MÁQUINA



1. Conecte la máquina a un cable alargador aprobado para exterior.
2. Pulse el botón de bloqueo de seguridad (5).

3. Tire del interruptor de seguridad (4) hacia el asa mientras mantiene pulsado el botón de bloqueo de seguridad.
4. Suelte el botón de bloqueo de seguridad.

▲ AVISO

Sujete la máquina con las dos manos durante el funcionamiento.

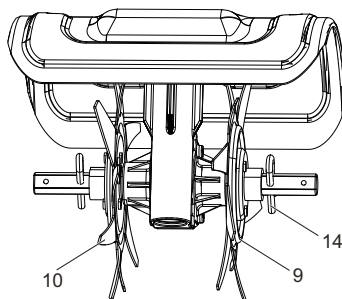
¡ NOTA

Colóquese detrás de la máquina con los dientes en el suelo y la superficie de trabajo limpia y sin obstrucciones.

10.2 DETENCIÓN DE LA MÁQUINA

1. Suelte el interruptor de seguridad para detener la máquina.

10.3 ANCHURA DE CULTIVO ESTRECHA



Las dos cuchillas de dientes exteriores pueden retirarse de la unidad para permitir una anchura de cultivo más estrecha.

1. Retire los pasadores de anillo de los orificios en los extremos del eje de los dientes.
2. Retire los dientes exteriores y los filtros del eje de los dientes.
3. Coloque los pasadores de enganche grandes (14) en los orificios.

10.4 CONSEJOS DE FUNCIONAMIENTO

El cultivador puede utilizarse para disgregar la tierra del jardín y preparar un semillero para plantar. Planifique con antelación para dejar suficiente espacio entre las hileras de semillas para permitir el cultivo a máquina después de que las plantas hayan crecido.

1. Puede que sea necesario pasar varias veces sobre el mismo surco para alcanzar la profundidad deseada. No intente cavar demasiado profundo en la primera pasada.

2. Si la máquina salta o gira, deje que la unidad avance a una velocidad ligeramente más rápida o instale el conjunto de las ruedas.
3. Si el cultivador se queda y cava en un lugar, intente moverlo de lado a lado para que empiece a avanzar nuevamente.
4. Si la tierra está muy compactada, riegue unos días antes de cultivar. Evite trabajar la tierra cuando esté húmeda o mojada. Espere uno o dos días después de fuertes lluvias para que la tierra se seque.
5. El cultivo superficial de menos de 5 cm. puede utilizarse para quitar las malas hierbas y airear la tierra, sin dañar las raíces de las plantas cercanas. Debe hacerse con frecuencia para que no crezcan las malas hierbas y produzcan enredos en los dientes de la unidad.

11 MANTENIMIENTO

▲ PRECAUCIÓN

No permita que líquidos de frenos, gasolina y otros derivados del petróleo toquen las piezas de plástico. Las sustancias químicas pueden dañar el plástico y hacer que quede inservible.

▲ PRECAUCIÓN

No utilice disolventes o detergentes fuertes en la carcasa o los componentes de plástico.

▲ AVISO

Retire la batería de la máquina antes de realizar tareas de mantenimiento.

11.1 LIMPIEZA DE LA MÁQUINA

▲ AVISO

Mantenga la máquina y el motor libres de hojas, ramas o exceso de aceite para evitar riesgos de incendio.

- Utilice un paño húmedo con un detergente suave para limpiar la máquina.
- Limpie toda la humedad con un paño suave y seco.
- Utilice un cepillo pequeño para limpiar los orificios de ventilación.

12 ALMACENAMIENTO DE LA MÁQUINA

- Limpie la máquina antes del almacenamiento.
- Asegúrese de que el motor no esté caliente cuando almacene la máquina.
- Asegúrese de que la máquina no tenga piezas sueltas o dañadas. Si es necesario, siga estos pasos/estas instrucciones:
 - Sustituya las piezas dañadas.

- Apriete los pernos.
- Hable con una persona de un centro de servicio aprobado.
- Almacene la máquina en una zona seca.
- Asegúrese de que los niños no puedan acercarse a la máquina.

13 SOLUCIÓN DE PROBLEMAS

Problema	Posible causa	Solución
El motor no consigue arrancar cuando está presionado el interruptor de seguridad.	El cable de alimentación no está enchufado o la conexión está suelta.	Enchufe el cable de alimentación.
	El disyuntor del circuito doméstico ha saltado.	Compruebe el disyuntor del circuito.
La máquina echa humo durante el funcionamiento.	La máquina ha sufrido daños.	<ol style="list-style-type: none"> 1. Detenga la máquina inmediatamente. 2. Desenchufe la máquina. 3. Consulte con un centro de servicio.
El motor funciona pero los dientes no se mueven.	La máquina ha sufrido daños.	No utilice la máquina y consulte con un centro de servicio.
	Los dientes están bloqueados.	Desenchufe la máquina, posteriormente elimine el bloqueo de los dientes.
	Fallo del tren de engranajes.	Consulte con un centro de servicio.

14 DATOS TÉCNICOS

Potencia	120V, 60Hz, 8A
Velocidad sin carga	320 RPM
Surco de cultivo	Máx. 10-1/4"
Peso	26,2 lbs (11,9 kg)
Profundidad de cultivo	5" (12,7 cm)

15 GARANTÍA LIMITADA



Por la presente Greenworks garantiza este producto, al comprador original con el comprobante de compra, durante un periodo de tres (3) años frente a defectos en materiales, piezas o mano de obra. A su entera discreción Greenworks reparará o sustituirá cualquiera y todas las piezas que resulten ser defectuosas, con un uso normal, sin coste alguno para el cliente. Esta garantía es válida únicamente para unidades que se hayan utilizado para uso personal que no han sido arrendadas o alquiladas para uso industrial/comercial y cuyo mantenimiento se ha realizado de acuerdo con las instrucciones del manual del propietario suministrado con el producto nuevo.

ARTÍCULOS NO CUBIERTOS POR LA GARANTÍA:

1. Cualquier pieza que no funcione debido a mal uso, uso comercial, abuso, negligencia, accidente, mantenimiento inadecuado o alteración; o
2. La unidad, si no ha sido utilizada o mantenida de acuerdo con el manual del propietario; o
3. Desgaste normal, excepto en lo indicado a continuación;
4. Artículos de mantenimiento de rutina tales como lubricantes, afilado de cuchillas;
5. Deterioro normal del acabado exterior debido al uso o la exposición.

LÍNEA DE ASISTENCIA TELEFÓNICA:

Puede contactar con el servicio de garantía llamando a nuestra línea de asistencia telefónica gratuita a 1-888-909-6757.

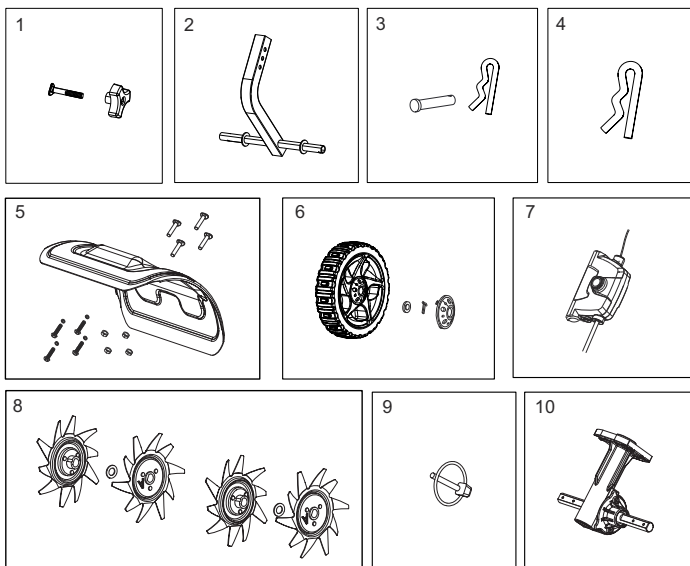
COSTES DE TRANSPORTE:

Los costes de transporte por el desplazamiento de cualquier unidad o accesorio de equipos eléctricos son responsabilidad del comprador. Es responsabilidad del comprador pagar los costes de transporte de cualquier pieza enviada para su sustitución bajo esta garantía, a menos que dicha devolución sea solicitada por escrito por Greenworks.

Dirección en EE.UU.: Dirección en Canadá:

Greenworks Tools Greenworks Tools Canada, Inc.
 P.O. Box 1238 P.O. Box 93095, Newmarket,
 Ontario
 Mooresville, NC 28115 L3Y 8K3

16 VISTA DESPIEZADA



N°	N° pieza	Cant.	Descripción	N°	N° pieza	Cant.	Descripción
1	R0201747-00	1	Conjunto de mando del asa	6	R0200155-00	1	Rueda
2	R0201748-00	1	Conjunto de portador de ruedas	7	R0202454-00	1	Caja de acoplamiento del motor
3	R0201203-00	1	Pasador de enganche pequeño	8	R0201208-00	1	Conjunto de dientes
4	R0201207-00	1	Pasador de enganche grande	9	R0201209-00	1	Pasador de anillo
5	R0201749-00	1	Protección	10	R0201750-00	1	Caja de engranajes