

P0801741-00

# greenworks

2400802

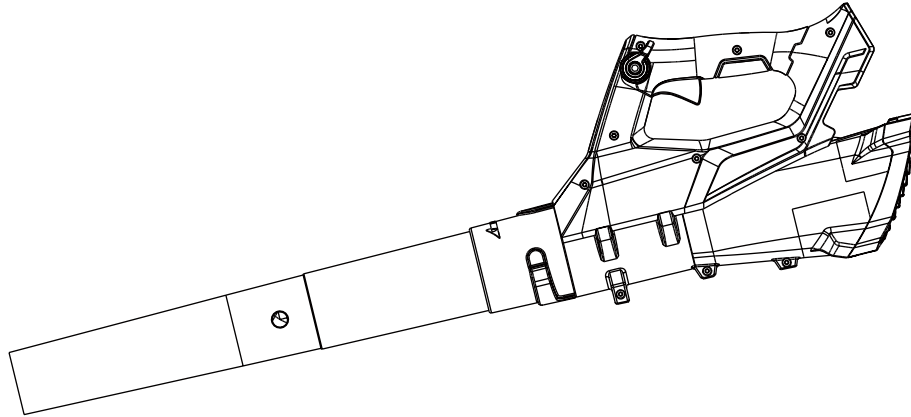
EN BLOWER

OPERATOR MANUAL

FR SOUFFLEUSE

MANUEL D'OPÉRATEUR

210mm



BLF341

145mm

### 技术要求:

1. 材质要求: 60g双胶纸, 20P。
2. 单色印刷, 要求无色差、无污点; 语言标签块印于外侧。
3. 骑马钉, 裁切均匀、无连页。
4. 以封样为准。
5. 料件需符合格力博HSF文件(编号: GLB-CGR-146) 里关于环保和有害物质的具体要求。

版本号

B

描 复

日 期

					说明书				常州格力博集团	
标记	处数	更改文件号	签名	日期					2400802LC	
设计	张君	标准化	宋提提		阶段标记	视角标记	重量	比例		
校对	杨媛	审定			S	A	B			
审核	周艳	批准	李海平						ERP号	P0801741-00
工艺		日期	20.03.03		共 1 张		第 1 张			

# greenworks

2400802

EN

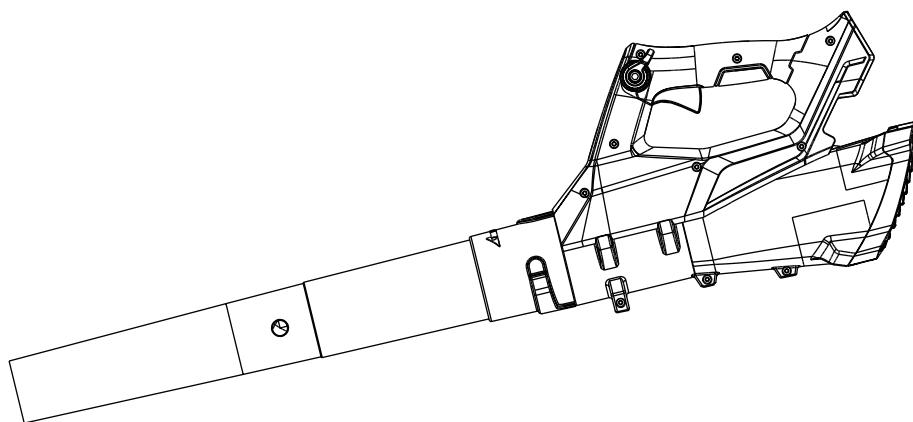
BLOWER

OPERATOR MANUAL

FR

SOUFFLEUSE

MANUEL D'OPÉRATEUR



**BLF341**



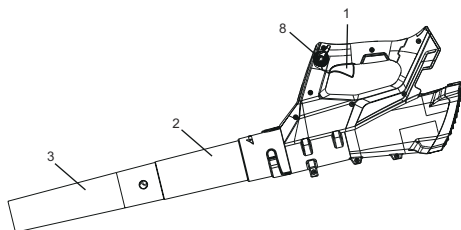
<b>1</b>	<b>Description.....</b>	<b>4</b>	10.3	Install the battery pack.....	7
1.1	Purpose.....	4	10.4	Remove the battery pack.....	7
1.2	Overview.....	4	<b>11</b>	<b>Operation.....</b>	<b>7</b>
<b>2</b>	<b>Important safety instructions.....</b>	<b>4</b>	11.1	Start the machine.....	7
<b>3</b>	<b>Battery-operated power tools.....</b>	<b>4</b>	11.2	Stop the machine.....	7
<b>4</b>	<b>Child safety.....</b>	<b>5</b>	11.3	Cruise control lever.....	7
<b>5</b>	<b>Proposition 65.....</b>	<b>5</b>	11.4	Operation tips.....	8
<b>6</b>	<b>Save these instructions.....</b>	<b>5</b>	<b>12</b>	<b>Maintenance.....</b>	<b>8</b>
<b>7</b>	<b>Symbols on the product.....</b>	<b>5</b>	12.1	Clean the machine.....	8
<b>8</b>	<b>Risk levels.....</b>	<b>6</b>	<b>13</b>	<b>Transportation and storage.....</b>	<b>8</b>
<b>9</b>	<b>Environmentally safe battery disposal.....</b>	<b>6</b>	13.1	Move the machine.....	8
<b>10</b>	<b>Installation.....</b>	<b>6</b>	13.2	Store the machine.....	8
10.1	Unpack the machine.....	6	<b>14</b>	<b>Troubleshooting.....</b>	<b>8</b>
10.2	Install the blower tube.....	7	<b>15</b>	<b>Technical data.....</b>	<b>8</b>
			<b>16</b>	<b>Limited warranty.....</b>	<b>9</b>
			<b>17</b>	<b>Exploded view.....</b>	<b>9</b>

## 1 DESCRIPTION

### 1.1 PURPOSE

The machine is used to propel air out of a tube to move unwanted materials such as leaves in the yard. Some machines also suck in leaves and small twigs through a vacuum, and shred them into a bag.

### 1.2 OVERVIEW



1 Trigger	5 Tab
2 Rear tube	6 Hole
3 Front tube	7 Tab
4 Groove	8 Cruise control lever

## 2 IMPORTANT SAFETY INSTRUCTIONS

**READ ALL INSTRUCTIONS BEFORE USING (THIS POWER TOOL)**

### ▲ WARNING

**Read and understand all instructions before using this product.** Failure to follow all instructions listed below may result in electric shock, fire, and/or serious personal injury. When using an electrical appliance, basic precautions should always be followed, including the following:

- Do not use on wet surfaces.
- Do not charge the unit outdoors.
- For household use.
- Do not allow to be used as a toy. Close attention is necessary when used by or near children.
- Use only as described in this manual. Use only manufacturer's recommended attachments.
- If appliance is not working as it should, has been dropped, damaged, left outdoors, or dropped into water, return it to a service center.
- Do not handle appliance with wet hands.
- Do not put any object into openings. Do not use with any opening blocked; keep free of dust, lint, hair, and anything that may reduce air flow.
- Keep hair, loose clothing, fingers and all body parts away from openings and moving parts.
- Use extra care when cleaning on stairs.

- Do not operate power tools in an explosive atmosphere, such as in the presence of flammable liquids, gases, or dust. Power tools create sparks that may ignite the dust or fumes.
- Store indoors. Do not expose to rain or water. Avoid direct sunshine.
- Never allow children to operate the equipment. Never allow adults to operate the equipment without proper instruction.
- Wear heavy long pants, boots, and gloves. Avoid loose garments or jewellery that could get caught in moving parts of the machine or its motor.
- Do not force tool. Use the correct tool for your application. The correct tool will do the job better and safer at the rate for which it is designed.
- Keep firm footing and balance. Do not overreach. Overreaching can result in loss of balance.
- Do not use the tool if the switch does not turn it on or off. Any tool that cannot be controlled with the switch is dangerous, and must be repaired.
- Do not operate this unit when you are tired, ill, or under the influence of alcohol, drugs, or medication.
- Do not operate in poor lighting.
- Do not use to pick up flammable or combustible liquids, such as gasoline, or use in areas where they may be present
- Do not pick up anything that is burning or smoking, such as cigarettes, matches, or hot ashes.
- Do not use without dust bag and/or filters in place (if applicable).
- Check the work area before each use. Remove all objects such as rocks, broken glass, nails, wire, or string which can be thrown or become entangled in the machine.
- Use only identical manufacturer's replacement parts and accessories. Use of any other parts may create a hazard or cause product damage.

## 3 BATTERY-OPERATED POWER TOOLS

- Do not use battery-operated appliance in rain.
- Turn off all controls before removing the battery.
- Recharge only with the charger specified by the manufacturer. A charger that is suitable for one type of battery pack may create a risk of fire when used with another battery pack.
- Use only the charger supplied by the manufacturer to recharge.
- Use appliances only with specifically designated battery packs. Use of any other battery packs may create a risk of injury and fire.
- Prevent unintentional starting. Ensure the switch is in the off-position before connecting to battery pack, picking up or carrying the appliance. Carry the power tool with your finger on the switch or energize power tool that have the switch on invites accidents.

- Disconnect the battery pack from the power tool before making any adjustments, changing accessories, or storing the power tool. Such preventive safety measures reduce the risk of starting the power tool accidentally.
- When battery pack is not in use, keep it away from other metal objects like paper clips, coins, keys, nails, screws or other small metal objects that can make a connection from one terminal to another. Shorting the battery terminals together may cause burns or a fire.
- Under abusive conditions, liquid may be ejected from the battery; avoid contact. If contact accidentally occurs, flush with water. If liquid contacts eyes, additionally seek medical help. Liquid ejected from the battery may cause irritation or burns.
- Do not incinerate the appliance even if it is severely damaged. The batteries can explode in a fire.
- Do not use a battery pack or appliance that is damaged or modified. Damaged or modified batteries may exhibit unpredictable behavior resulting in fire, explosion or risk of injury.
- Do not expose a battery pack or appliance to fire or excessive temperature. Exposure to fire or temperature above 265°F (130°C) may cause an explosion.
- Have servicing performed by a qualified repair person using only identical replacement parts. This will ensure that the safety of the product is maintained.
- Don't modify or attempt to repair the appliance or the battery pack (as applicable) except as indicated in the instructions for use and care.
- Follow all charging instructions and do not charge the battery pack or appliance outside of the temperature range specified in the instructions. Charging improperly or at temperatures outside of the specified range may damage the battery and increase the risk of fire.

## 4 CHILD SAFETY

Tragic accidents can occur if the operator is not aware of the presence of children.

- Keep children out of the working area and under the watchful care of a responsible adult.
- Do not allow children under the age of 14 to operate this machine. Children who are 14 years of age and older must read and understand the operating instructions and safety rules in this manual and must be trained and supervised by a parent.
- Stay alert, and turn the machine off if a child or any other person enters the working area.
- Use extreme care when approaching blind corners, doorways, shrubs, trees, or other objects that may obscure your view of a child who may run into the path of the machine.

## 5 PROPOSITION 65

### ▲ WARNING

This product contains a chemical known to the state of California to cause cancer, birth defects or other reproductive harm. Some dust created by power sanding, sawing, grinding, drilling, and other construction activities contains chemicals known to cause cancer, birth defects or other reproductive harm. Some examples of these chemicals are:






- Lead from lead-based paints;
- Crystalline silica from bricks and cement and other masonry products;
- Arsenic and chromium from chemically treated lumber.







Your risk of exposure to these chemicals varies depending on how often you do this type of work. To reduce your exposure to these chemicals, work in a well-ventilated area, and work with approved safety equipment, such as dust masks that are specially designed to filter out microscopic particles.

## 6 SAVE THESE INSTRUCTIONS

## 7 SYMBOLS ON THE PRODUCT




Some of the following symbols may be used on this tool. Please study them and learn their meaning. Proper interpretation of these symbols will allow you to operate the tool better and safer.

Symbol	Explanation
V	Voltage
A	Current
W	Power
min	Time
/min	Revolutions, strokes, surface speed, orbits etc., per minute
	Direct current
	Read and understand all instructions before operating the product, and follow all warnings and safety instructions.
	Precautions that involve your safety.
	Wear ear protection when operating this equipment.
	Always wear eye protection with side shields marked to comply with ANSI Z87.1 when operating this equipment.

Symbol	Explanation
	Do not expose the product to rain or moist conditions.
	Keep all bystanders at least 15 m away.
	Do not touch the fan when you operate this machine.
	Failure to keep loose clothing from being drawn into air intake could result in personal injury.
	Failure to keep long hair away from the air inlet could result in personal injury.
	Rotating impeller blades can cause severe injury.

## 8 RISK LEVELS

The following signal words and meanings are intended to explain the levels of risk associated with this product.

SYM-BOL	SIGNAL	MEANING
	DANGER	Indicates an imminently hazardous situation, which, if not avoided, will result in death or serious injury.
	WARNING	Indicates a potentially hazardous situation, which, if not avoided, could result in death or serious injury.
	CAUTION	Indicates a potentially hazardous situation, which, if not avoided, may result in minor or moderate injury.
	CAUTION	(Without Safety Alert Symbol) Indicates a situation that may result in property damage.

## 9 ENVIRONMENTALLY SAFE BATTERY DISPOSAL



The toxic and corrosive materials below are in the batteries used in this machine: **Lithium-Ion, a toxic material.**

### ▲ WARNING

Discard all toxic materials in a specified manner to prevent contamination of the environment. Before discarding damaged or worn out Li-ion battery, contact your local waste disposal agency, or the local Environmental Protection Agency for information and specific instructions. Take the batteries to a local recycling and/or disposal center, certified for lithium-ion disposal.

### ▲ WARNING

If the battery pack cracks or breaks, with or without leaks, do not recharge it and do not use. Discard it and replace with a new battery pack. **DO NOT TRY TO REPAIR IT!** To prevent injury and risk of fire, explosion, or electric shock, and to avoid damage to the environment:

- Cover the terminals of the battery with heavy-duty adhesive tape.
- **DO NOT** try to remove or destroy any of the battery pack components.
- **DO NOT** try to open the battery pack.
- If a leak develops, the released electrolytes are corrosive and toxic. **DO NOT** get the solution in the eyes or on skin, and do not swallow it.
- **DO NOT** put these batteries in your regular household trash.
- **DO NOT** incinerate.
- **DO NOT** put them where they will become part of any waste landfill or municipal solid waste stream.
- Take them to a certified recycling or disposal center.

## 10 INSTALLATION

### 10.1 UNPACK THE MACHINE

### ▲ WARNING

Make sure that you correctly assemble the machine before use.

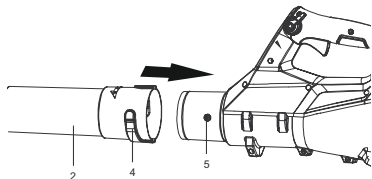
### ▲ WARNING

- If the parts are damaged, do not use the machine.
- If you do not have all the parts, do not operate the machine.
- If the parts are damaged or missing, speak to the service center.

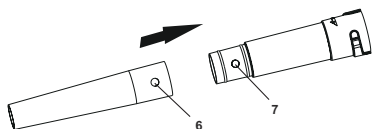
1. Open the package.
2. Read the documentation in the box.
3. Remove all the unassembled parts from the box.
4. Remove the machine from the box.
5. Discard the box and package in compliance with local regulations.

## 10.2 INSTALL THE BLOWER TUBE

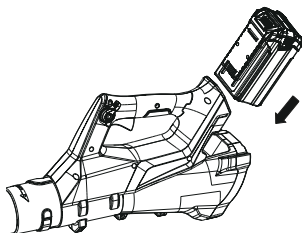
1. Align the grooves (4) on the rear tube (2) with tabs (5) on the blower housing.
2. Install the rear tube onto the blower housing until the tabs engage the grooves.
3. Turn the rear tube in the direction of the arrow until the two tabs lock into the positions.



4. Align the hole (6) on the front tube with the tab (7) on the rear tube.
5. Install the front tube onto the rear tube until the tab locks into the position.



## 10.3 INSTALL THE BATTERY PACK



### ▲ WARNING

- If the battery pack or charger is damaged, replace the battery pack or the charger.
- Stop the machine and wait until the motor stops before you install or remove the battery pack.
- Read and understand the instructions in the battery and charger manual.

1. Align the lift ribs on the battery pack with the grooves in the battery compartment.
2. Push the battery pack into the battery compartment until the battery pack locks into place.
3. When you hear a click, the battery pack is installed.

## 10.4 REMOVE THE BATTERY PACK

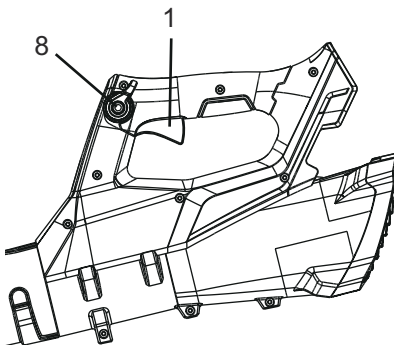
1. Push and hold the battery release button.
2. Remove the battery pack from the machine.

## 11 OPERATION

### ▲ WARNING

Make sure the blower tube is in position before operation.

### 11.1 START THE MACHINE



1. Pull the trigger (1) to start the machine.
2. Pull the trigger fully to increase the speed.
3. Release the trigger to decrease the speed.

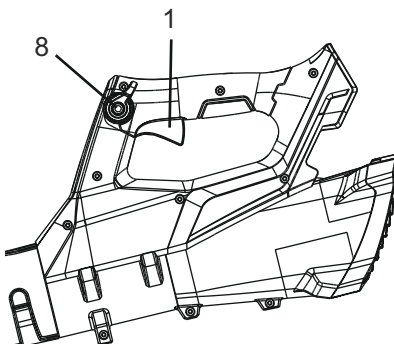
### 11.2 STOP THE MACHINE

1. Release the trigger to stop the machine.

### i NOTE

Wait until the motor stops after you stop the machine.

### 11.3 CRUISE CONTROL LEVER





1. Pull the cruise control lever (8) clockwise to increase the speed. This will lock the speed at the desired setting.
2. Push the cruise control lever (8) counter clockwise to decrease the speed.

### **i** NOTE

If you decrease the speed all the way, the unit will stop and it is necessary to start the machine again.

## 11.4 OPERATION TIPS

- Blow around the outer edge of the unwanted materials to prevent the unwanted materials from scattering.
- Use rakes and brooms to clear the unwanted material before you blow.
- Make the surfaces wet before you clear the unwanted material in dusty conditions.
- Look out for children, pets, open windows, and cleaned cars during operation.
- Clean the machine.
- Discard the unwanted material when you complete work.

## 12 MAINTENANCE

### **▲** CAUTION

Do not let brake fluids, gasoline, petroleum-based materials touch the plastic parts. Chemicals can cause damage to the plastic, and make the plastic unserviceable.

### **▲** CAUTION

Do not use strong solvents or detergents on the plastic housing or components.

### **▲** WARNING

Remove the battery pack from the machine before maintenance.

### 12.1 CLEAN THE MACHINE

### **▲** CAUTION

The machine must be dry. Humidity can cause risks of electrical shocks.

- Clear the unwanted material out of the air vent with a vacuum cleaner.
- Do not spray the air vent or put the air vent in solvents.
- Clean the housing and the plastic components with a moist and soft cloth.

## 13 TRANSPORTATION AND STORAGE

### **▲** WARNING

Remove the battery pack from the machine before transportation and storage.

### 13.1 MOVE THE MACHINE

- Only hold the machine with the handgrip.

### 13.2 STORE THE MACHINE

- Clean the machine before storage.
- Make sure that the motor is not hot when you store the machine.
- Make sure that the machine does not have loose or damaged parts. If it is necessary, do these steps/instructions:
  - Replace the damaged parts.
  - Tighten the bolts.
  - Speak to a person of an approved service center.
- Store the machine in a dry area.
- Make sure that children cannot come near the machine.

## 14 TROUBLESHOOTING

PROBLEM	POSSIBLE CAUSE	SOLUTION
The motor does not start when you pull the trigger.	The battery pack is not installed tightly.	Make sure that you tightly install the battery pack in the machine.
	The battery pack is out of power.	Charge the battery pack.
The machine does not start.	The power switch is defective.	Replace the defective parts by an approved service center.
	The motor is defective.	
	The PCB board is defective.	
The air does not flow through the tube when you start the machine.	The air inlet or tube outlet has a blockage.	Remove the blockage.

## 15 TECHNICAL DATA

Voltage	40 V
Air volume	390 CFM
Air speed	110 MPH (177 Km/h)

Weight (without battery pack)	4.2 lbs. (1.9 kg)
Battery model	29652, 29662 and other BAF series
Charger model	29692 and other CAF series

**The recommended ambient temperature range:**

Item	Temperature
Blower storage temperature range	-4°F (-20°C) - 158°F (70°C)
Blower operation temperature range	-4°F (-20°C) - 104°F (40°C)
Battery charging temperature range	39°F (4°C) - 104°F (40°C)
Charger operation temperature range	39°F (4°C) - 113°F (45°C)
Battery storage temperature range	1 year: 32°F (0°C) - 73°F (23°C)
	3 months: 32°F (0°C) - 113°F (45°C)
	1 month: 32°F (0°C) - 140°F (60°C)
Battery discharging temperature range	6.8°F (-14°C) - 113°F (45°C)

## 16 LIMITED WARRANTY



Greenworks hereby warrants this product, to the original purchaser with proof of purchase, for a period of three (3) years against defects in materials, parts or workmanship. Greenworks, at its own discretion will repair or replace any and all parts found to be defective, through normal use, free of charge to the customer. This warranty is valid only for units which have been used for personal use that have not been hired or rented for industrial/commercial use, and that have been maintained in accordance with the instructions in the owners' manual supplied with the product from new.

**ITEMS NOT COVERED BY WARRANTY:**

1. Any part that has become inoperative due to misuse, commercial use, abuse, neglect, accident, improper maintenance, or alteration; or
2. The unit, if it has not been operated and/or maintained in accordance with the owner's manual; or

3. Normal wear, except as noted below;
4. Routine maintenance items such as lubricants, blade sharpening;
5. Normal deterioration of the exterior finish due to use or exposure.

**HELPLINE:**

Warranty service is available by calling our toll-free helpline, at 1-888-909-6757.

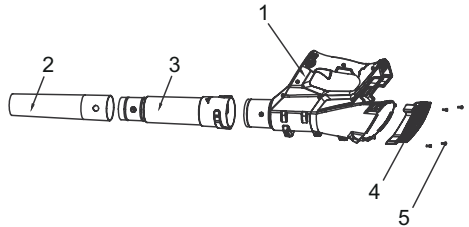
**TRANSPORTATION CHARGES:**

Transportation charges for the movement of any power equipment unit or attachment are the responsibility of the purchaser. It is the purchaser's responsibility to pay transportation charges for any part submitted for replacement under this warranty unless such return is requested in writing by Greenworks.

**CANADIAN ADDRESS:**

Greenworks Tools Canada Inc.  
 1110 Stellar Drive Unit 102  
 Newmarket, ON, L3Y 7B7

## 17 EXPLODED VIEW



No.	Part No.	Qty	Description
1	311053519	1	Blower assembly
2	341091809	1	Front Blower Tube
3	341081809	1	Rear Blower Tube
4	341051809	1	Rear Vent Housing
5	3220505A	4	Rear Vent Screws

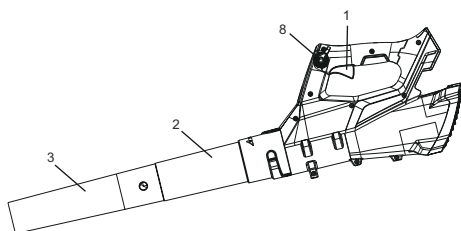
<b>1</b>	<b>Description.....</b>	<b>11</b>			
1.1	But.....	11	10.2	Installez le tube de la souffleuse.....	14
1.2	Aperçu.....	11	10.3	Installez le bloc-batterie.....	14
<b>2</b>	<b>Instructions importantes sur la</b>		10.4	Retirez le bloc-batterie.....	14
	<b>sécurité.....</b>	<b>11</b>	<b>11</b>	<b>Utilisation.....</b>	<b>15</b>
<b>3</b>	<b>Outils fonctionnant sur batterie.....</b>	<b>12</b>	11.1	Démarrez la machine.....	15
<b>4</b>	<b>Sécurité des enfants.....</b>	<b>12</b>	11.2	Arrêtez la machine.....	15
<b>5</b>	<b>Proposition 65.....</b>	<b>12</b>	11.3	Cruise control lever.....	15
<b>6</b>	<b>Conservez ces instructions.....</b>	<b>13</b>	11.4	Conseils sur l'utilisation.....	15
<b>7</b>	<b>Symboles figurant sur la</b>		<b>12</b>	<b>Entretien.....</b>	<b>15</b>
	<b>machine.....</b>	<b>13</b>	12.1	Nettoyez la machine.....	15
<b>8</b>	<b>Niveaux de risques.....</b>	<b>13</b>	<b>13</b>	<b>Transport et entreposage.....</b>	<b>16</b>
<b>9</b>	<b>Élimination des batteries sans</b>		13.1	Déplacez la machine.....	16
	<b>danger pour l'environnement.....</b>	<b>13</b>	13.2	Entreposez la machine.....	16
<b>10</b>	<b>Installation.....</b>	<b>14</b>	<b>14</b>	<b>Dépannage.....</b>	<b>16</b>
10.1	Déballer la machine.....	14	<b>15</b>	<b>Données techniques.....</b>	<b>16</b>
			<b>16</b>	<b>Garantie limitée.....</b>	<b>16</b>
			<b>17</b>	<b>Vue éclatées.....</b>	<b>17</b>

## 1 DESCRIPTION

### 1.1 BUT

La machine est utilisée pour propulser l'air hors d'un tube pour déplacer les matériaux indésirables tels que les feuilles dans la cour. Certaines machines aspirent également les feuilles et les petites brindilles dans un aspirateur et les déchiquettent dans un sac.

### 1.2 APERÇU



- |                |                                   |
|----------------|-----------------------------------|
| 1 Gâchette     | 6 Trou                            |
| 2 Tube arrière | 7 Languette                       |
| 3 Tube frontal | 8 Levier de régulateur de vitesse |
| 4 Rainure      |                                   |
| 5 Languette    |                                   |

## 2 INSTRUCTIONS IMPORTANTES SUR LA SÉCURITÉ

**LISEZ TOUTES LES INSTRUCTIONS AVANT L'UTILISATION (CET OUTIL ÉLECTRIQUE)**

### ▲ AVERTISSEMENT

**Lisez et comprenez toutes les instructions avant d'utiliser ce produit.** Le non-respect de ces avertissements et de ces instructions peut entraîner un choc électrique, un incendie et/ou des blessures graves. Quand vous utilisez un appareil électrique, vous devez toujours prendre les précautions de base suivantes :

- N'utilisez pas sur des surfaces humides.
- Ne chargez pas l'appareil à l'extérieur.
- Pour un usage ménager.
- N'utilisez jamais comme jouet. Une attention particulière est nécessaire lorsque la machine est utilisée par des enfants ou à proximité de ces derniers.
- Utilisez uniquement comme de la façon décrite dans ce manuel. Utilisez uniquement les accessoires recommandés par le fabricant.
- Si l'appareil ne fonctionne pas comme il le devrait, s'il est tombé, s'il a été endommagé, laissé à l'extérieur ou s'il est tombé dans l'eau, retournez-le à un centre de service.
- N'utilisez pas l'appareil avec les mains mouillées.

- N'introduisez aucun objet dans les ouvertures. Veillez à ce qu'aucun objet ne se trouve dans l'orifice lors de l'utilisation de l'appareil ; maintenir l'orifice dégagé de toutes poussières, fibre, cheveux, ou de tout ce qui pourrait réduire la circulation de l'air.
- Gardez les cheveux, les vêtements amples, les doigts et toutes les parties du corps loin des ouvertures et des pièces mobiles.
- Soyez particulièrement prudent lorsque vous nettoyez les escaliers.
- N'utilisez pas les outils électriques dans un environnement explosif, par exemple en présence de liquides, gaz ou poussières inflammables. La mise en marche de l'outil crée des étincelles qui peuvent enflammer la poussière ou les vapeurs.
- Entrez à l'intérieur. Ne l'exposer à la pluie ou à l'eau. Évitez l'exposition directe au soleil.
- Ne laissez jamais les enfants utiliser l'appareil. Ne permettez jamais à un adulte d'opérer la machine sans qu'il ait la formation nécessaire.
- Portez des pantalons longs, des souliers de travail et des gants épais. Évitez de porter des vêtements amples ou des bijoux qui pourraient se coincer dans les pièces mobiles.
- Ne forcez pas sur l'outil. Utilisez l'outil adapté à votre application. L'outil approprié fera mieux le travail et sera plus sécuritaire au rythme pour lequel il a été conçu.
- Tenez-vous bien campé et en équilibre. Ne vous penchez pas trop en avant. Si vous vous penchez trop en avant, vous pouvez perdre l'équilibre.
- N'utilisez pas l'outil si l'interrupteur ne le met pas en marche ou à l'arrêt. Tout outil qui ne peut pas être contrôlé avec l'interrupteur est dangereux et doit être réparé.
- N'utilisez pas cet appareil si vous êtes fatigué, malade ou sous l'influence de l'alcool, de drogues ou de médicaments.
- N'utilisez pas la machine lorsque l'éclairage est insuffisant.
- N'utilisez pas cette machine pour ramasser des liquides inflammables ou combustibles, comme de l'essence, ni dans les endroits où ils peuvent être présents.
- Ne ramassez rien qui brûle ou qui fume, comme des cigarettes, des allumettes ou des cendres chaudes.
- N'utilisez pas l'appareil sans le sac à poussière ou les filtres installés (le cas échéant).
- Inspectez la zone de travail avant chaque utilisation. Enlevez tous les objets tels que les pierres, le verre brisé, les clous, les fils ou les ficelles qui peuvent être jetés ou s'emmêler dans la machine.
- Utilisez uniquement des pièces de rechange et des accessoires identiques du fabricant. L'utilisation d'autres pièces peut créer un danger ou endommager le produit.

## 3 OUTILS FONCTIONNANT SUR BATTERIE

- N'utilisez pas cet appareil fonctionnant sur batterie sous la pluie.
- Désactivez toutes les commandes avant de retirer la batterie.
- Rechargez uniquement avec le chargeur spécifié par le fabricant. Un chargeur adapté à un type de bloc-batterie peut créer un risque d'incendie lorsqu'il est utilisé avec un autre bloc-batterie.
- Utilisez uniquement le chargeur fourni par le fabricant pour recharger.
- Utilisez les appareils uniquement avec des batteries spécialement conçues à cet effet. L'utilisation de tout autre bloc-batterie peut créer un risque de blessure et d'incendie.
- Évitez tout démarrage accidentel. Assurez-vous que l'interrupteur est en position d'arrêt avant de brancher la batterie, de soulever ou de transporter l'appareil. Portez un outil électrique avec le doigt sur l'interrupteur ou brancher un outil dont l'interrupteur est en position de marche peut causer un accident.
- Débranchez le bloc-batterie de l'outil électrique avant d'effectuer des réglages, de changer des accessoires ou de ranger l'outil électrique. De telles mesures de sécurité préventives réduisent le risque de démarrage accidentel de l'outil électrique.
- Lorsque le bloc batterie n'est pas utilisé, éloignez-le des autres objets métalliques tels qu'attaches trombones, pièces de monnaie, clés, clous, vis ou autres petits objets métalliques qui peuvent établir une connexion d'une borne à une autre. Le court-circuitage des bornes de la batterie peut provoquer des brûlures ou un incendie.
- Dans des conditions abusives, du liquide peut être éjecté de la batterie ; évitez tout contact. En cas de contact accidentel, rincez avec de l'eau. En cas de contact avec les yeux, consultez également un médecin. Le liquide s'échappant des batteries peut causer des irritations ou des brûlures.
- N'incinerez pas l'appareil même s'il est extrêmement endommagé. Les batteries peuvent exploser dans le feu.
- N'utilisez pas une batterie ou un appareil endommagé ou modifié. Les batteries endommagées ou modifiées peuvent présenter un fonctionnement imprévisible et provoquer un incendie, une explosion ou un risque de blessure.
- N'exposez pas une batterie ou un appareil à un feu ou à une température excessive. L'exposition au feu ou une température supérieure à 130°C (265°F) peut provoquer une explosion.
- Faites effectuer l'entretien par un réparateur qualifié en n'utilisant que des pièces de rechange identiques. Cela garantira le maintien de la sécurité du produit.
- Ne modifiez pas ou n'essayez pas de réparer l'appareil ou la batterie (selon le cas) sauf en conformité avec les instructions d'utilisation et d'entretien indiquées dans ce manuel.

- Suivez toutes les instructions de recharge et ne rechargez pas le bloc-batterie ou l'appareil en dehors de la plage de température spécifiée dans ces instructions. Un rechargement incorrect ou à des températures en dehors de la plage spécifiée peut endommager la batterie et augmenter le risque d'incendie.

## 4 SÉCURITÉ DES ENFANTS

Des accidents tragiques peuvent se produire si l'opérateur n'est pas au courant de la présence des enfants.

- Éloignez les enfants de la zone de travail et placez-les sous la surveillance d'un adulte responsable.
- Ne laissez pas un enfant de moins de 14 ans utiliser cette machine. Les enfants de 14 ans et plus doivent lire et comprendre les instructions d'utilisation et les règles de sécurité contenues dans ce manuel et doivent être formés et supervisés par un parent.
- Restez vigilant et éteignez la machine si un enfant ou une autre personne entre dans la zone de travail.
- Soyez extrêmement prudent lorsque vous vous approchez d'un angle mort, d'une porte, d'un arbuste, d'un arbre ou de tout autre objet qui pourrait masquer la vue d'un enfant qui pourrait se heurter à la machine.

## 5 PROPOSITION 65

### ▲ AVERTISSEMENT

Ce produit contient un produit chimique connu dans l'état de Californie comme étant une cause de cancer, de malformations congénitales ou d'autres problèmes de reproduction. Certaines poussières produites par le ponçage mécanique, le sciage, le meulage, le perçage et d'autres activités de construction contiennent des produits chimiques connus pour causer le cancer, des malformations congénitales ou d'autres problèmes de reproduction. Voici quelques exemples de ces produits chimiques :

- Plomb provenant de peintures à base de plomb;
- Silice cristalline provenant de briques, de ciment et d'autres produits de maçonnerie;
- Arsenic et chrome provenant de bois traité chimiquement.

Votre risque d'exposition à ces produits chimiques varie selon la fréquence à laquelle vous faites ce type de travail. Pour réduire votre exposition à ces produits chimiques, travaillez dans un endroit bien ventilé et utilisez un équipement de sécurité approuvé, comme des masques anti-poussière spécialement conçus pour filtrer les particules microscopiques.

## 6 CONSERVEZ CES INSTRUCTIONS

### 7 SYMBOLES FIGURANT SUR LA MACHINE

Certains des symboles suivants peuvent être utilisés sur cet outil. Veuillez les étudier et apprendre leur signification. Une bonne interprétation de ces symboles vous permettra de mieux utiliser l'outil et de manière plus sécuritaire.

Symbole	Explication
V	Voltage
A	Courant
W	Puissance
min	Heure
/min	Tours, coups, vitesse périphérique, orbites, etc., par minute
≡	Courant direct
	Lisez et comprenez toutes les instructions avant d'utiliser cette machine, et suivez tous les avertissements et les consignes de sécurité.
	Précautions destinées à assurer la sécurité.
	Portez un casque anti-bruit pendant l'utilisation de cet équipement.
	Portez toujours des lunettes de protection avec des protections latérales marquées conformément à la norme ANSI Z87.1 lorsque vous utilisez cet équipement.
	Ne pas exposer la machine à la pluie ou à l'humidité.
	Tenez tous les curieux à une distance d'au moins 15 m.
	Ne touchez pas le ventilateur lorsque vous utilisez cette machine.
	Si vous n'empêchez pas l'introduction des vêtements amples dans la prise d'air, vous risquez de vous blesser.
	Si vous ne gardez pas les cheveux longs loin de l'entrée d'air, vous risquez de vous blesser.
	Les lames rotatives de la roue peuvent causer des blessures graves.

## 8 NIVEAUX DE RISQUES

Les termes de mise en garde suivants et leur signification ont pour but d'expliquer les niveaux de risques associés à l'utilisation de ce produit.

SYMBOLE	SIGNAL	SIGNIFICATION
	DANGER	Indique une situation dangereuse imminente qui, si elle n'est pas évitée, peut entraîner la mort ou des blessures graves.
	AVERTISSEMENT	Indique une situation potentiellement dangereuse qui, si elle n'est pas évitée, peut entraîner la mort ou des blessures graves.
	MISE EN GARDE	Indique une situation potentiellement dangereuse qui, si elle n'est pas évitée, pourrait causer des blessures mineures ou modérées.
	MISE EN GARDE	(Sans symbole d'alerte de sécurité) Indique une situation pouvant entraîner des dommages matériels.

## 9 ÉLIMINATION DES BATTERIES SANS DANGER POUR L'ENVIRONNEMENT



Les matières toxiques et corrosives ci-dessous se trouvent dans les batteries utilisées dans cette machine : **Lithium-ion, une substance toxique.**

### ▲ AVERTISSEMENT

Éliminez toutes les substances toxiques d'une manière spécifiée afin de prévenir la contamination de l'environnement. Avant de jeter une batterie Li-ion endommagée ou usée, contactez votre agence locale d'élimination des déchets ou l'agence locale de protection de l'environnement pour obtenir des informations et des instructions spécifiques. Apportez les batteries à un centre local de recyclage ou d'élimination certifié pour l'élimination de batteries au lithium-ion.

## ▲ AVERTISSEMENT

Si la batterie se fend ou se brise, avec ou sans fuites, ne la rechargez pas et ne l'utilisez pas. Jetez-la et remplacez-la par une nouvelle batterie. **N'ESSAYEZ PAS DE LA RÉPARER !** Pour prévenir les blessures et les risques d'incendie, d'explosion ou de choc électrique, et pour éviter tout dommage à l'environnement :

- Couvrez les bornes de la batterie avec du ruban adhésif résistant.
- NE PAS essayer d'enlever ou de détruire les composants de la batterie.
- NE PAS essayer d'ouvrir ou de réparer la batterie.
- En cas de fuite, les électrolytes rejetés sont corrosifs et toxiques. NE PAS laisser entrer la solution dans les yeux ou en contact avec la peau et ne pas l'avaler.
- NE PAS jeter vos batteries usagées dans votre poubelle à ordures ménagères.
- NE PAS incinérer.
- NE LES Mettez PAS dans un endroit où ils feront partie d'un site d'enfouissement de déchets ou d'un flux de déchets solides municipaux.
- Emmenez-les dans un centre de recyclage ou d'élimination certifié.

## 10 INSTALLATION

### 10.1 DÉBALLÉZ LA MACHINE

#### ▲ AVERTISSEMENT

Assurez-vous d'assembler correctement la machine avant de l'utiliser.

#### ▲ AVERTISSEMENT

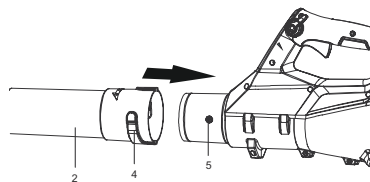
- Si les pièces sont endommagées, n'utilisez pas la machine.
- Si vous n'avez pas toutes les pièces, n'utilisez pas la machine.
- Si les pièces sont endommagées ou manquantes, communiquez avec le centre de service.

1. Ouvrez l'emballage.
2. Lisez la documentation contenue dans la boîte.
3. Retirez toutes les pièces non assemblées de la boîte.
4. Retirez la machine de sa boîte.
5. Jetez la boîte et l'emballage en respectant les règlements locaux.

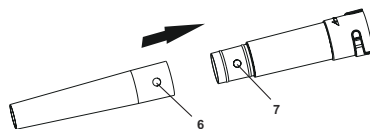
### 10.2 INSTALLEZ LE TUBE DE LA SOUFFLEUSE

1. Alignez les rainures (4) du tube arrière (2) avec les languettes (5) du boîtier du ventilateur.
2. Installez le tube arrière sur le boîtier du ventilateur jusqu'à ce que les languettes s'engagent dans les rainures.

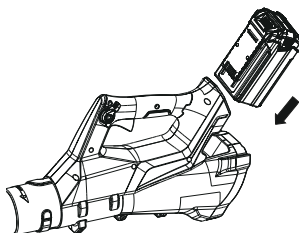
3. Tournez le tube arrière dans le sens de la flèche jusqu'à ce que les deux languettes se verrouillent dans les positions.



4. Alignez le trou (6) du tube frontal avec la languette (7) du tube arrière.
5. Installez le tube frontal sur le tube arrière jusqu'à ce que la languette se verrouille en position.



### 10.3 INSTALLEZ LE BLOC-BATTERIE



#### ▲ AVERTISSEMENT

- Si le bloc-batterie ou le chargeur est endommagé, remplacez-le, au besoin.
- Arrêtez la machine et attendez que le moteur s'arrête avant d'installer ou de retirer le bloc-batterie.
- Lisez et comprenez les instructions du manuel de la batterie et du chargeur.

1. Alignez les nervures de levage du bloc-batterie avec les rainures du compartiment à piles.
2. Poussez le bloc-batterie dans le compartiment jusqu'à ce qu'il soit bien encliqueté.
3. Vous devriez entendre un clic lorsque le bloc-batterie sera inséré correctement.

### 10.4 RETIREZ LE BLOC-BATTERIE

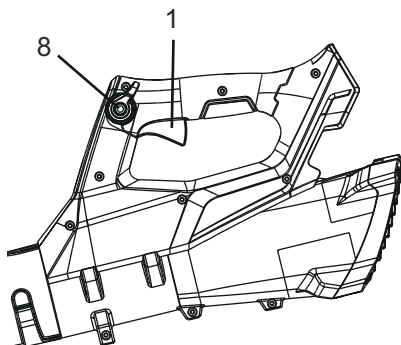
1. Poussez et maintenez enfoncé le bouton de déblocage de la batterie.
2. Retirez le bloc-batterie de la machine.

## 11 UTILISATION

### ▲ AVERTISSEMENT

Assurez-vous que le tube de la souffleuse est en place avant de l'utiliser.

### 11.1 DÉMARREZ LA MACHINE



1. Appuyez sur la gâchette (1) pour démarrer la machine.
2. Appuyez sur la gâchette au maximum pour augmenter la vitesse.
3. Lâchez la gâchette pour réduire la vitesse.

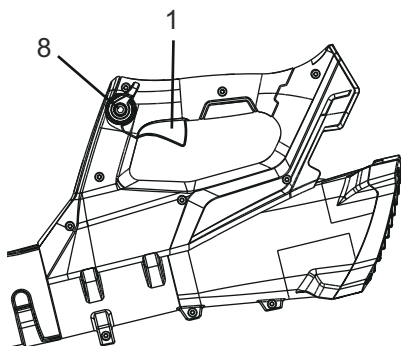
### 11.2 ARRÊTEZ LA MACHINE

1. Lâchez la gâchette pour arrêter la machine.

### i REMARQUE

Attendez que le moteur s'arrête après avoir arrêté la machine.

### 11.3 CRUISE CONTROL LEVER



1. Pull the cruise control lever (8) clockwise to increase the speed. This will lock the speed at the desired setting.

2. Push the cruise control lever (8) counter clockwise to decrease the speed.

### i REMARQUE

If you decrease the speed all the way, the unit will stop and it is necessary to start the machine again.

### 11.4 CONSEILS SUR L'UTILISATION

- Soufflez sur le bord extérieur des matériaux indésirables pour éviter qu'ils ne se dispersent.
- Utilisez des râteliers et des balais pour éliminer les matières indésirables avant de souffler.
- Humidifiez les surfaces avant d'éliminer les matières indésirables dans les environnements poussiéreux.
- Surveillez les enfants, les animaux domestiques, ouvrez les fenêtres et les véhicules nettoyés pendant le fonctionnement.
- Nettoyez la machine.
- Débarrassez-vous matières indésirables lorsque vous avez terminé le travail.

## 12 ENTRETIEN

### ▲ ATTENTION

Évitez que les liquides de freins, l'essence et les matériaux à base de pétrole ne viennent en contact avec les pièces en plastique. Les produits chimiques peuvent endommager le plastique et le rendre inutilisable.

### ▲ ATTENTION

N'utilisez pas de solvants ou de détergents puissants sur le boîtier ou les composants en plastique.

### ▲ AVERTISSEMENT

Retirez la batterie de la machine avant l'entretien.

### 12.1 NETTOYEZ LA MACHINE

### ▲ ATTENTION

La machine doit être sèche. L'humidité peut provoquer des risques de chocs électriques.

- Enlevez les matières indésirables de l'évent d'air à l'aide d'un aspirateur.
- Ne vaporisez pas l'évent d'air et ne le plongez pas dans des solvants.
- Nettoyez le boîtier et les composants en plastique avec un chiffon doux et humide.



## 13 TRANSPORT ET ENTREPOSAGE

### ▲ AVERTISSEMENT

Retirez la batterie de la machine avant de la transporter et de l'entreposer.

### 13.1 DÉPLACEZ LA MACHINE

- Tenez la machine uniquement avec la poignée.

### 13.2 ENTREPOSEZ LA MACHINE

- Nettoyez la machine avant de le stockage.
- Assurez-vous que le moteur n'est pas chaud lorsque vous entreposez la machine.
- Assurez-vous que la machine n'a pas de pièces mal fixées ou endommagées. Au besoin, suivez ces étapes/ instructions :
  - Remplacez les pièces endommagées.
  - Serrez les écrous.
  - Parlez à une personne d'un centre de service certifié.
- Entreposez la machine dans un endroit sec.
- Assurez-vous que les enfants ne peuvent pas s'approcher de la machine.

## 14 DÉPANNAGE

PROBLÈME	CAUSE POSSIBLE	SOLUTION
Le moteur ne démarre pas lorsque vous appuyez sur la gâchette.	La batterie n'est pas correctement installée.	Assurez-vous que le bloc-batterie est correctement installé dans la machine.
	Le bloc-batterie est déchargé.	Rechargez le bloc-batterie.
La machine ne démarre pas.	L'interrupteur d'alimentation est défectueux.	Faites remplacer les pièces défectueuses par un centre de service certifié.
	Le moteur est défectueux.	
	La carte de circuit imprimé est défectueuse.	
L'air ne circule pas dans le tube lorsque vous démarrez la machine.	L'entrée d'air ou la sortie du tube est obstruée.	Éliminez le blocage.

## 15 DONNÉES TECHNIQUES

Voltage	40 V
Volume d'air	390 PCM
Vitesse indiquée	110 mi/h (177 km/h)
Poids (sans batteries)	4.2 lb. (1.9 kg)
Batterie (modèle)	29652, 29662 et autres séries BAF
Chargeur (modèle)	29692 et autres séries CAF

### La plage de température ambiante recommandée :

Article	Température
Plage de température d'entreposage de la souffleuse	-20°C (-4°F) - 70°C (158°F)
Plage de température de fonctionnement de la souffleuse	-20°C (-4°F) - 40 °C (104 °F)
Plage de température de rechargement de la batterie	4 °C (39 °F) - 40 °C (104 °F)
Plage de température de fonctionnement du chargeur	4 °C (39 °F) - 45°C (113°F)
Plage de température d'entreposage de la batterie	1 an : 0°C (32°F) - 23°C (73°F)
	3 mois : 0°C (32°F) - 45°C (113°F)
	1 mois : 0°C (32°F) - 60°C (140°F)
Plage de température de déchargement de la batterie	-14°C (6,8°F) - 45°C (113°F)

## 16 GARANTIE LIMITÉE



Greenworks garantit par la présente ce produit, à l'acheteur original avec preuve d'achat, pour une période de trois (3) ans contre tout défaut de matériaux, de pièces ou de main-d'œuvre. Greenworks, à sa propre discrétion, réparera ou remplacera toutes les pièces défectueuses, dans des conditions normales d'utilisation, sans frais pour le client. Cette garantie n'est valable que pour les appareils qui ont été utilisés à des fins personnelles, qui n'ont pas été loués à des fins industrielles ou commerciales et qui ont été entretenus conformément aux instructions du manuel du propriétaire fourni avec le produit neuf.

## ARTICLES NON COUVERTS PAR LA GARANTIE :

1. Toute pièce qui est devenue inopérante en raison d'une mauvaise utilisation, d'une utilisation commerciale, d'un abus, d'une négligence, d'un accident, d'un entretien inapproprié ou d'une modification ; ou
2. L'appareil, s'il n'a pas été utilisé et/ou entretenu conformément au manuel du propriétaire ; ou
3. Usure normale, sauf comme indiqué ci-dessous ;
4. Articles d'entretien courant tels que lubrifiants, affûtage des lames ;
5. Détérioration normale du fini extérieur due à l'utilisation ou à l'exposition.

## ASSISTANCE TÉLÉPHONIQUE :

Le service de garantie est disponible en appelant notre ligne d'assistance téléphonique sans frais, au 1-888-909-6757.

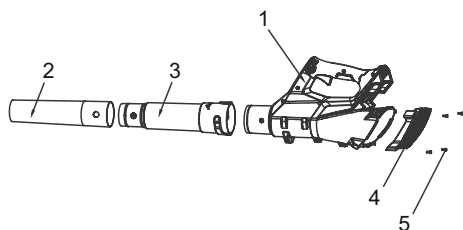
## FRAIS DE TRANSPORT :

Les frais de transport pour le déplacement de tout équipement motorisé ou accessoire sont à la charge de l'acheteur. Il incombe à l'acheteur de payer les frais de transport pour toute pièce retournée pour remplacement en vertu de la présente garantie, à moins qu'un tel retour soit demandé par écrit par Greenworks.

## ADRESSE AU CANADA :

Greenworks Tools Canada Inc.  
 1110 Promenade Stellar bureau 102  
 Newmarket, ON, L3Y 7B7

## 17 VUE ÉCLATÉES



No	No de pièce	Qté	Description
1	311053519	1	Assemblage de la souffleuse
2	341091809	1	Tube frontal de la souffleuse
3	341081809	1	Tube arrière de la souffleuse
4	341051809	1	Boîtier de ventilation arrière
5	3220505A	4	Vis de la ventilation arrière





