

# greenworks

**2506302**

EN

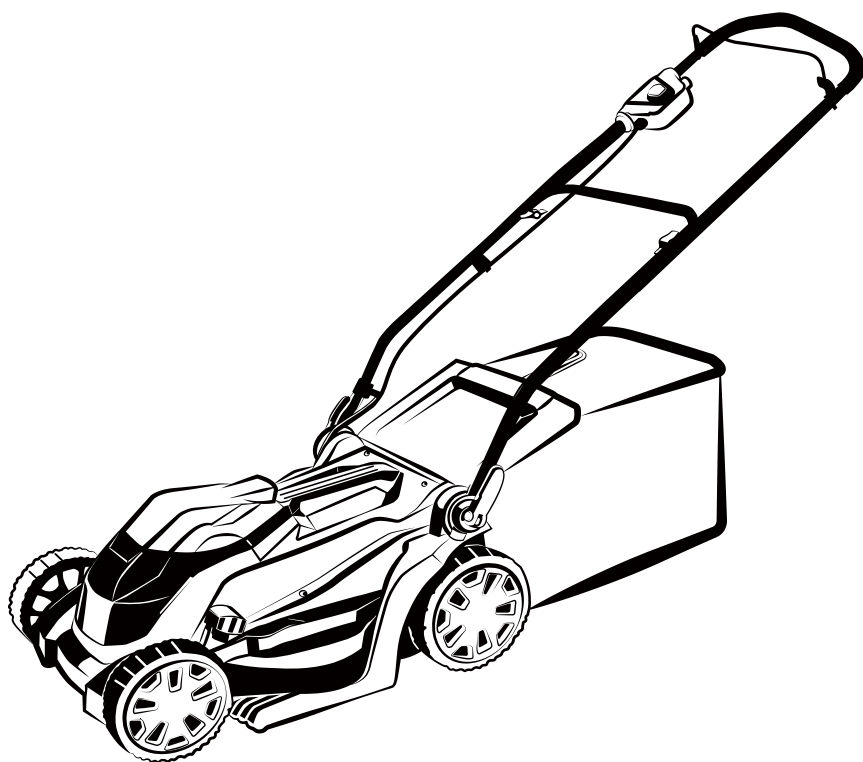
LAWN MOWER

OPERATOR MANUAL

FR

TONDEUSE À GAZON

MANUEL D'UTILISATION



**LMF334**

[www.greenworkstools.com](http://www.greenworkstools.com)



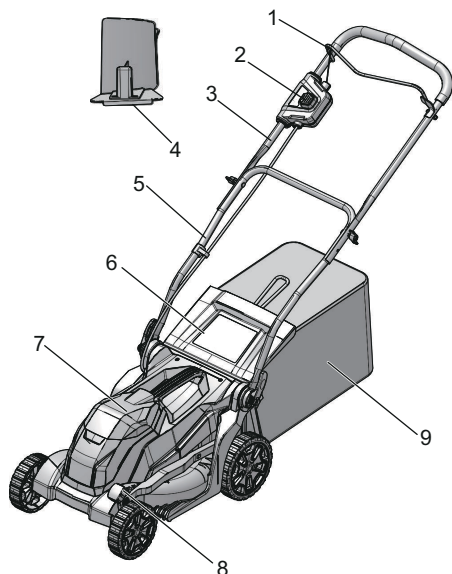
<b>1</b>	<b>Description.....</b>	<b>4</b>	7.5	Install the mulch plug.....	9
1.1	Purpose.....	4	7.6	Set the blade height.....	9
1.2	Overview.....	4	7.7	Install the battery pack.....	10
<b>2</b>	<b>Read all instructions.....</b>	<b>4</b>	7.8	Remove the battery pack.....	10
2.1	Children and Bystanders.....	4	<b>8</b>	<b>Operation.....</b>	<b>10</b>
2.2	General Operation.....	4	8.1	Start the machine.....	10
2.3	Slope Operation.....	6	8.2	Stop the machine.....	10
2.4	Service/Maintenance.....	6	8.3	Empty the grass catcher.....	11
<b>3</b>	<b>Symbols on the product.....</b>	<b>7</b>	8.4	Operate on slopes.....	11
<b>4</b>	<b>Risk levels.....</b>	<b>7</b>	8.5	Operation tips.....	11
<b>5</b>	<b>Environmentally safe battery disposal.....</b>	<b>7</b>	<b>9</b>	<b>Maintenance.....</b>	<b>11</b>
<b>6</b>	<b>Proposition 65.....</b>	<b>8</b>	9.1	General maintenance.....	11
<b>7</b>	<b>Installation.....</b>	<b>8</b>	9.2	Replace the blade.....	11
7.1	Unpack the machine.....	8	9.3	Store the machine.....	12
7.2	Unfold the lower handle.....	8	<b>10</b>	<b>Troubleshooting.....</b>	<b>12</b>
7.3	Install the upper handle .....	9	<b>11</b>	<b>Technical data.....</b>	<b>13</b>
7.4	Install the grass catcher.....	9	<b>12</b>	<b>Limited warranty.....</b>	<b>13</b>
			<b>13</b>	<b>Exploded view.....</b>	<b>14</b>

## 1 DESCRIPTION

### 1.1 PURPOSE

This machine is used for domestic lawn mowing. The cutting blade must be approximately parallel to the ground. All four wheels must touch the ground while you mow.

### 1.2 OVERVIEW



- 1 Bail switch
- 2 Start button
- 3 Upper handle
- 4 Mulch plug
- 5 Lower handle
- 6 Rear discharge door
- 7 Battery door
- 8 Height adjustment lever
- 9 Grass catcher

## 2 READ ALL INSTRUCTIONS

### ▲ DANGER

This machine was built to be operated according to the rules for safe operation included in this manual. As with any type of power equipment, carelessness or error on the part of the operator can result in serious injury. This machine is capable of amputating hands and feet and throwing objects. Failure to observe all safety instructions could result in serious injury or death.

### i NOTE

When using electric lawn mowers, basic safety precautions should always be followed to reduce the risk of fire, electric shock, and personal injury. These basic precautions include the following:

### 2.1 CHILDREN AND BYSTANDERS

Tragic accidents can occur if the operator is not alert to the presence of children or bystanders.

- Keep the area of operation clear of all persons, particularly small children, and pets.
- Use extreme care when approaching blind corners, doorways, shrubs, trees, or other objects that may obscure your vision of a child or bystander. Keep children, bystanders, helpers and pets at least 100 feet (30m) from the mower while it is in operation. Stop the machine if anyone enters the area.
- Never allow children under 14 years old to operate a power mower. Operators 14 years old and over should fully read and understand the operator's manual and safety rules. Only responsible individuals who are familiar with these rules of safe operation should be allowed to use this machine.

### 2.2 GENERAL OPERATION

- Read this operator's manual carefully in its entirety before assembling or operating this machine. Read, understand, and follow all instructions on the machine and in the manuals before operation. Familiarize yourself with the controls and proper use of this machine before operation. Save this manual for future and regular reference.
- Do not use the lawn mower for any job except that for which it is intended. Your lawn mower has been designed to perform only one job: cut grass.
- Never attempt to make a wheel height adjustment while the motor is running.
- Don't force the lawn mower, it will do the job better and more safely at the rate for which it was designed.
- Don't overreach, keep proper footing and balance at all times. Many injuries occur as a result of the mower being pulled over the foot during a fall caused by slipping or tripping. A slip and fall can cause serious personal injury. If you feel you are losing your footing, release the control handle immediately and the blade will stop rotating within three seconds.
- Thoroughly inspect the area where the equipment is to be used and remove all stones, sticks, wires, bones, and other foreign objects.
- Prevent unintentional starting. Ensure the switch is in the off-position before connecting to battery pack, picking up or carrying the appliance. Carrying the appliance with your finger on the switch or energizing appliance that have the switch on invites accidents.

- Never pull the mower back toward you while you are walking. If you must back the mower away from a wall or obstruction, first look down and behind you to avoid tripping, and then follow these steps:
  - Step back from the mower in order to fully extend your arms.
  - Be sure that you are well balanced.
  - Pull the mower back slowly.
- Disconnect the battery pack from the appliance before making any adjustments, changing accessories, or storing appliance. Such preventive safety measures reduce the risk of starting the appliance accidentally.
- Before and while moving backwards with the mower, look behind and down for small children and other people.
- Do not operate the mower while under the influence of alcohol or drugs. Stay alert and watch what you are doing at all times. Use common sense and do not operate the lawn mower when you are tired.
- Always wear safety glasses or safety goggles during operation and while performing an adjustment or repair to protect your eyes. Thrown objects that ricochet can cause serious injury to the eyes. Always use a face or dust mask if the operation is dusty.
- Keep clear of the discharge opening at all times. Do not put hands or feet near rotating parts or under the cutting deck. Contact with the blade can amputate hands and feet.
- Plan your mowing pattern to avoid discharge of material toward roads, sidewalks, bystanders and the like. Also, avoid discharging material against walls or obstructions, which may cause discharged material to ricochet back toward the operator.
- To help avoid the blade or an injury from a thrown object, stay in the operator zone behind the handles.
- A missing or damaged discharge cover can cause blade contact or injuries from thrown objects.
- Objects struck by the lawn mower blade can cause severe injuries to persons. The lawn should always be carefully examined and cleared of all objects prior to each mowing.
- Stop the blade when crossing gravel drives, walks or roads.
- Follow all charging instructions and do not charge the battery pack or appliance outside of the temperature range specified in the instructions. Charging improperly or at temperatures outside of the specified range may damage the battery and increase the risk of fire.
- If lawn mower strikes a foreign object, follow these steps:
  - Release the bail switch to disengage the motor.
  - Remove the battery.
  - Inspect for damage.
  - Repair any damaged parts before restarting and operating the lawn mower.
- Have servicing performed by a qualified repair person using only identical replacement parts. This will ensure that the safety of the product is maintained.
- Dress properly, do not wear loose clothing or jewelry that can be caught in moving parts. Use of safety gloves and proper footwear is recommended when working outdoors. Wear sturdy, rough-soled work shoes and close-fitting slacks and shirts. Shirts and pants that cover the arms and legs and steel-toed shoes are recommended. Never operate this machine in bare feet, sandals, slippery or lightweight (e.g., canvas) shoes.
- Do not modify or attempt to repair the appliance or the battery pack (as applicable) except as indicated in the instructions for use and care.
- Wear protective hair covering to contain long hair.
- Avoid dangerous environments, do not use the lawn mower in damp/wet locations or if it is raining.
- Store Idle Lawn Mower Indoors – When not in use, appliances should be stored indoors in dry, and high or locked-up place – out of reach of children. Always remove the battery from the mower before storing.
- Mow only in daylight or good artificial light. Walk, never run while operating.
- If the equipment should start to vibrate abnormally, immediately stop the motor, remove the battery and check for the cause. Vibration is generally a warning that the machine is not functioning properly.
- Check bag frequently for deterioration and wear, and replace worn bags. Check that replacement bags comply with the original manufacturer's recommendations or specifications.
- Before cleaning the machine, unclogging or removing the grass bag, mulching insert, or side discharge chute, turn the motor off and wait until the blade comes to a complete stop, then remove the battery pack. The cutting blade continues to rotate for a few seconds after the motor is shut off. Never perform these functions until you are sure the blade has stopped rotating.
- Keep cutting edges clean and sharp to ensure best performance.
- Periodically inspect safety devices and cords for damage. If damaged do not operate the unit until it has been repaired by an authorized service professional.
- Never operate the mower without the proper discharge cover, grass bag, mulching insert, side discharge chute, or other safety devices in place and working. Never operate the mower with damaged safety devices. Failure to do so can result in personal injury.
- Use only approved batteries and chargers. Non approved batteries and chargers may cause damage to the mower or injure the operator.
- Do not dispose of the battery in a fire. The cells could catch fire or explode. Check with local codes and waste management for proper disposal instructions.
- When battery pack is not in use, keep it away from other metal objects, like paper clips, coins, keys, nails, screws or other small metal objects, that can make a connection from one terminal to another. Shorting the battery terminals together may cause burns or a fire.

- Do not open or mutilate the battery. Electrolytes contained within the battery are corrosive and may cause damage to eyes or skin if released. It may be toxic if swallowed.
- Under abusive conditions, liquid may be ejected from the battery; avoid contact. If contact accidentally occurs, flush with water. If liquid contacts eyes, additionally seek medical help. Liquid ejected from the battery may cause irritation or burns.
- Do not expose a battery pack or appliance to fire or excessive temperature. Exposure to fire or temperature above 130°C may cause explosion.
- Exercise care in handling batteries to avoid shorting the battery with conducting materials such as rings, bracelets, keys, etc. The battery or conductor may overheat and cause burns if contact with said materials is made.
- Do not use a battery pack or appliance that is damaged or modified. Damaged or modified batteries may exhibit unpredictable behavior resulting in fire, explosion or risk of injury.
- Keep machine free of grass, leaves, or other debris build up. Allow machine to cool before storing.
- Never make any adjustments or repairs with the motor running.
- Always remove battery pack from mowers before adjusting, cleaning, or repairing.
- Check grass catcher components and the discharge guard frequently and replace with manufacturer's recommended parts, when necessary.
- Sharpen a dull blade equally at each end to maintain the balance.
- Keep guards in place and in working order. Mower blades are sharp, and can cut. Wrap the blades or wear gloves, and use extra caution when servicing.
- Clean the blade thoroughly and check its balance by supporting it horizontally on a thin nail through its center hole. The nail should also be in a horizontal position. If either end of the blade rotates downward, remove some metal from the heavy or lower end until the blade is balanced. It is balanced when neither end drops.
- Use identical replacement blades only.
- Maintain Lawn Mower With Care – Keep cutting edges sharp and clean for best and safest performance. Follow instructions for lubricating and changing accessories. Inspect lawn mower cord periodically and if damaged, have it repaired by an authorized service facility.
- If situations occur that are not covered in this manual, use care and good judgment or contact Customer Service for assistance.
- Never operate the mower without proper guards, plates, or other safety protective devices in place.

## 2.3 SLOPE OPERATION

Slopes are a major factor related to slip-and-fall accidents, which can result in severe injury. Operation on slopes requires extra caution. If you feel uneasy on a slope, do not mow it.

Do:

- Mow across the face of slopes; never mow up and down. Exercise extreme caution when changing direction on slopes.
- Watch for holes, ruts, rocks, hidden objects, or bumps which can cause you to slip or trip. Tall grass can hide obstacles.

Do not:

- Mow excessively steep slopes.
- Mow near drop-offs, ditches or embankments; you could lose your footing or balance.
- Mow slopes greater than 15 degrees.
- Mow on wet grass. Unstable footing could cause slipping.

## 2.4 SERVICE/MAINTENANCE










- Check the blade and the motor (machine) mounting bolts at frequent intervals for proper tightness.
- Replace the blade if it is bent or cracked. An unbalanced blade causes vibration that could damage the motor drive unit or cause personal injury.
- Keep all nuts, bolts, and screws tight in order to ensure the equipment is in safe working condition.
- Do not wash with a hose; avoid getting water in motor and electrical connections.
- Never remove or tamper with safety devices. Check their proper operation regularly. Never do anything to interfere with the intended function of a safety device or to reduce the protection provided by a safety device.




### The recommended ambient temperature range:

Item	Temperature
Mower storage temperature range	14°F (-10°C) - 104°F (40°C)
Mower operation temperature range	32°F (0°C) - 104°F (40°C)
Battery charging temperature range	39°F (4°C) - 104°F (40°C)
Charger operation temperature range	39°F (4°C) - 113°F (45°C)
Battery storage temperature range	1 year: 32°F (0°C) - 73°F (23°C)
	3 months: 32°F (0°C) - 113°F (45°C)
	1 month: 32°F (0°C) - 140°F (60°C)
Battery discharging temperature range	6.8°F (-14°C) - 113°F (45°C)

### 3 SYMBOLS ON THE PRODUCT




Some of the following symbols may be used on this tool. Please study them and learn their meaning. Proper interpretation of these symbols will allow you to operate the tool better and safer.

Symbol	Name	Explanation
V	Volt	Voltage
A	Amperes	Current
Hz	Hertz	Frequency (cycles per second)
W	Watt	Power
min	Minutes	Time
/min	Per Minute	Revolutions, strokes, surface speed, orbits etc., per minute
	Alternating Current	Type of current
	Direct Current	Type or a characteristic of current
$n_0$	No Load Speed	Rotational speed, at no load
	Safety Alert	Precautions that involve your safety.
	Eye Protection	Always wear eye protection with side shields marked to comply with ANSI Z87.1 when operating this equipment.
	WARNING --- Wet Conditions	Do not expose the product to rain or moist conditions.
	Read Operator's Manual	To reduce the risk of injury, user must read and understand operator's manual before using this product.
	Maintain Safety Devices	Do not open or remove safety devices while the tool is running.
	Looking Behind While Backing	Look down and behind first to avoid tripping when pulling back.
	DANGER --- Keep Hands and Feet Away	To reduce the risk of injury, keep hands and feet away from rotating parts. Do not operate unless discharge cover or grass bag is in its proper place. If damaged, replace immediately.

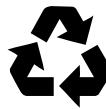
Symbol	Name	Explanation
	DANGER --- Keep Bystanders Away	All visitors should be kept at a distance from work area.
	DANGER --- Thrown Debris	Remove objects that can be thrown by the blade in any direction. Wear safety glasses.
	DANGER --- Steep Slope Hazard	Use extra caution on slopes. Do not mow slopes greater than 15 degrees.

### 4 RISK LEVELS

The following signal words and meanings are intended to explain the levels of risk associated with this product.

SYMBOL	SIGNAL	MEANING
	DANGER	Indicates an imminently hazardous situation, which, if not avoided, will result in death or serious injury.
	WARNING	Indicates a potentially hazardous situation, which, if not avoided, could result in death or serious injury.
	CAUTION	Indicates a potentially hazardous situation, which, if not avoided, may result in minor or moderate injury.
	CAUTION	(Without Safety Alert Symbol) Indicates a situation that may result in property damage.

### 5 ENVIRONMENTALLY SAFE BATTERY DISPOSAL



The toxic and corrosive materials below are in the batteries used in this machine: **Lithium-Ion, a toxic material.**

**▲ WARNING**

Discard all toxic materials in a specified manner to prevent contamination of the environment. Before discarding damaged or worn out Li-ion battery, contact your local waste disposal agency, or the local Environmental Protection Agency for information and specific instructions. Take the batteries to a local recycling and/or disposal center, certified for lithium-ion disposal.

**▲ WARNING**

If the battery pack cracks or breaks, with or without leaks, do not recharge it and do not use. Discard it and replace with a new battery pack. **DO NOT TRY TO REPAIR IT!** To prevent injury and risk of fire, explosion, or electric shock, and to avoid damage to the environment:

- Cover the terminals of the battery with heavy-duty adhesive tape.
- **DO NOT** try to remove or destroy any of the battery pack components.
- **DO NOT** try to open the battery pack.
- If a leak develops, the released electrolytes are corrosive and toxic. **DO NOT** get the solution in the eyes or on skin, and do not swallow it.
- **DO NOT** put these batteries in your regular household trash.
- **DO NOT** incinerate.
- **DO NOT** put them where they will become part of any waste landfill or municipal solid waste stream.
- Take them to a certified recycling or disposal center.

**6 PROPOSITION 65****▲ WARNING**

This product contains a chemical known to the state of California to cause cancer, birth defects or other reproductive harm. Some dust created by power sanding, sawing, grinding, drilling, and other construction activities contains chemicals known to cause cancer, birth defects or other reproductive harm. Some examples of these chemicals are:

- Lead from lead-based paints;
- Crystalline silica from bricks and cement and other masonry products;
- Arsenic and chromium from chemically treated lumber.

Your risk of exposure to these chemicals varies depending on how often you do this type of work. To reduce your exposure to these chemicals, work in a well-ventilated area, and work with approved safety equipment, such as dust masks that are specially designed to filter out microscopic particles.

Save these instructions.

**7 INSTALLATION****▲ WARNING**

Do not change or make accessories that are not recommended by the manufacturer.

**▲ WARNING**

Do not put in the safety key or the battery pack until you assemble all the parts.

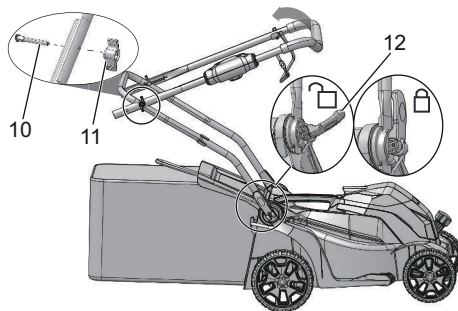
**7.1 UNPACK THE MACHINE****▲ WARNING**

Make sure that you correctly assemble the machine before use.

**▲ WARNING**

- If the parts have damage, do not use the machine.
- If you do not have all the parts, do not operate the machine.
- If the parts are damaged or missing, speak to the service center.

1. Open the package.
2. Read the documentation in the box.
3. Remove all the unassembled parts from the box.
4. Remove the machine from the box.
5. Discard the box and package in compliance with local regulations.

**7.2 UNFOLD THE LOWER HANDLE**

1. Pull up and back the upper handle to lift the handle into operation position. Make sure that the handles click into position correctly.
2. Tighten the lower handle with the quick-release levers (12) on the two sides.

**i NOTE**

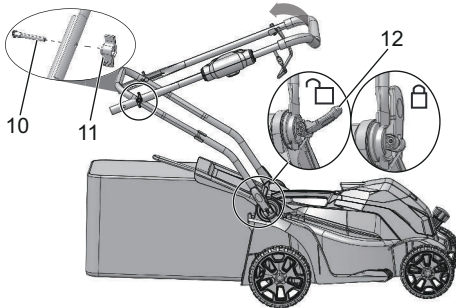
Make sure that the two handles are in the same position.



**▲ WARNING**

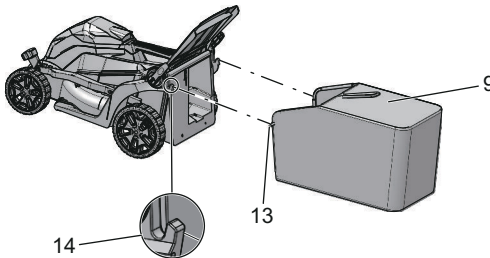
Do not make damage to the cables when you fold or unfold the handle.

### 7.3 INSTALL THE UPPER HANDLE



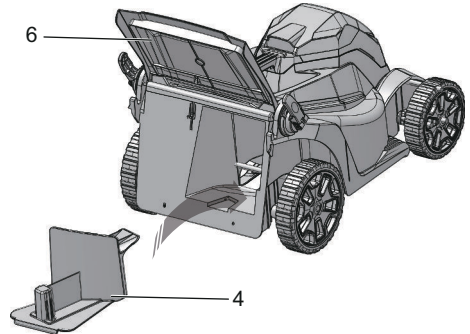
1. Align the holes in the upper handle and the lower handle.
2. Put the bolts (10) through the holes.
3. Tighten the knobs (11) onto the bolts.
4. Do the same operation on the other side.

### 7.4 INSTALL THE GRASS CATCHER



1. Remove the mulch plug.
2. Open the rear discharge door and hold it.
3. Hold the the grass catcher (9) by its handle and put the hooks (13) over the slots (14).
4. Close the rear discharge door.

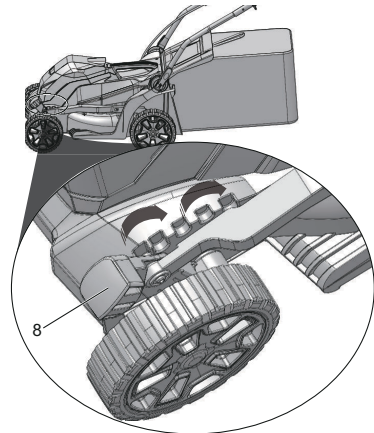
### 7.5 INSTALL THE MULCH PLUG



1. Remove the grass catcher.
2. Open the rear discharge door (6) and hold it.
3. Hold the mulch plug (4) by its handle and fit it in the discharge chute.
4. Close the rear discharge door.

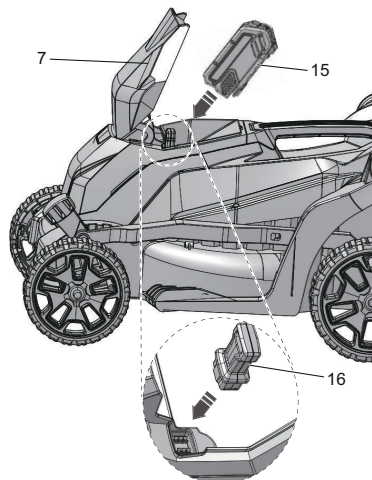
### 7.6 SET THE BLADE HEIGHT

The machine can be set to different blade heights.



1. Pull the height adjustment lever (8) rearward to increase the blade height.
2. Pull the height adjustment lever forward to decrease the blade height.

## 7.7 INSTALL THE BATTERY PACK



### ▲ WARNING

- If the battery pack or charger is damaged, replace the battery pack or the charger.
- Stop the machine and wait until the engine stops before you install or remove the battery pack.
- Read, know, and do the instructions in the battery and charger manual.

### i NOTE

The machine has a battery storage compartment that helps store the battery pack.

1. Open the battery door (7).
2. Align the lift ribs on the battery pack (15) with the grooves in the battery compartment.
3. Push the battery pack into the battery compartment until the battery pack locks into place.
4. When you hear a click, the battery pack is installed.
5. Close the battery door.

### i NOTE

The engine starts only when you put in the safety key (15).

## 7.8 REMOVE THE BATTERY PACK

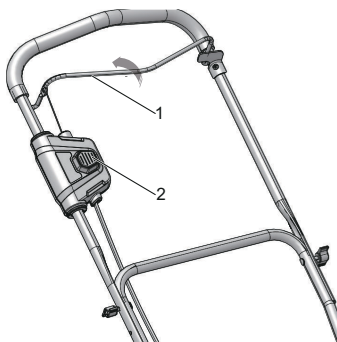
1. Open the battery door.
2. Remove the safety key.
3. Push and hold the battery release button.
4. Remove the battery pack from the machine.

## 8 OPERATION

### ▲ WARNING

Wear eye protection during operation.

### 8.1 START THE MACHINE



1. Put in the safety key.
2. Push and hold the start button (2).
3. While you hold the start button, pull the bail switch (1) in the direction of the handle bar.
4. Release the start button to start the machine.

### 8.2 STOP THE MACHINE

1. Release the bail switch to stop the machine.

### ▲ WARNING

Wait until the blades fully stop before you start the machine again. Do not quickly turn the machine off and on.

### ▲ WARNING

Always remove the safety key and battery pack after you complete the work.

### 8.3 EMPTY THE GRASS CATCHER



1. Stop the machine.
2. Remove the battery pack.
3. Open the rear discharge door and hold it.
4. Hold the grass catcher by its handle and unhook it from the slots.
5. Close the rear discharge door.
6. Empty the grass catcher.

### 8.4 OPERATE ON SLOPES

#### ▲ WARNING

Do not mow on the slopes with incline more than 15°. If you are not comfortable, do not mow on a slope.

- Do not go up and down on a slope, mow across the face of the slope. Be careful when you change the direction on a slope.
- Monitor the holes, ruts, rocks, and other hidden objects that can cause you to fall. Remove all obstacles such as rocks and tree limbs.
- Make sure that your footing is stable. If you are out of balance, release the bail switch immediately.
- Do not mow near drop-offs, ditches, or embankments.

### 8.5 OPERATION TIPS

- Do not try to override the operation of the start button or bail switch.
- Do not tilt the machine when you start it.
- Do not put hands or feet near or below the turning parts.
- Keep the discharge chute clean.
- Do not cut wet grass.
- Higher blade height is necessary for new or thick grass.
- Clean the bottom of the mower deck after each use. Remove grass clippings, leaves, dirt, and other debris.

## 9 MAINTENANCE

#### ▲ WARNING

Remove the safety key and battery pack from the machine before maintenance.

#### ▲ WARNING

Keep the motor and battery pack free from grass, leaves or too much grease.

#### ▲ CAUTION

Use only approved replacement parts.

#### ▲ CAUTION

Do not let brake fluids, gasoline, petroleum-based materials touch the plastic parts. Chemicals can cause damage to the plastic, and make the plastic unserviceable.

#### ▲ CAUTION

Do not use strong solvents or detergents on the plastic housing or components.

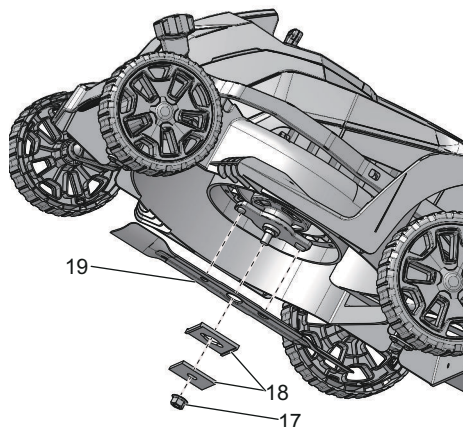
#### i NOTE

Recommended tightening torque (blade): 33-37 Nm.

### 9.1 GENERAL MAINTENANCE

- Before each use, examine the machine for damaged, missing, or loose parts such as screws, nuts, bolts and caps.
- Tighten correctly all the fasteners and caps.
- Clean the machine with a dry cloth. Do not use water.

### 9.2 REPLACE THE BLADE



**▲ WARNING**

Use only approved replacement blades.

**▲ WARNING**

Wear heavy gloves or wind cloth around the blade when you touch the blade.

1. Stop the machine.
2. Make sure that the blade fully stops.
3. Remove the safety key and battery pack.
4. Turn the machine to its side.
5. Use a piece of wood to prevent the movement of the blade.
6. Remove the mounting nut (17) and spacers (18) with a wrench or socket.
7. Remove the blade (19).
8. Install the new blade. Make sure that the raised points engage the holes in the blade.
9. Put in the mounting nut and spacers and tighten them.

**9.3 STORE THE MACHINE**

- Clean the machine before storage.
- Make sure the motor is not hot when you put the machine into storage.
- Make sure that the machine does not have loose or damaged parts. If it is necessary, do these steps/instructions:
  - Replace the damaged parts.
  - Tighten the bolts.
  - Speak to a person of an approved service center.
- Store the machine in a dry area.
- Make sure that children cannot come near the machine.

You may lower the handle(s) before you put the machine into the storage.

1. Fully loosen the handle fasteners on the sides of the handle(s).
2. Fold away the handle(s).
3. Do not pinch or trap the cables.

**10 TROUBLESHOOTING**

Problem	Possible cause	Solution
The handle is not in position.	The bolts are not engaged correctly.	Adjust the height of the handle and make sure that the knobs and bolts are aligned correctly.

Problem	Possible cause	Solution
The machine does not start.	The battery capacity is low.	Charge the battery pack.
	The bail switch is defective.	Replace the bail switch.
	The battery key is not put in.	Put in the battery key.
The machine cuts grass unevenly.	The lawn is rough.	Examine the mowing area.
	The blade height is not set correctly.	Move the wheels to a higher position.
The machine does not mulch correctly.	Wet grass clippings attach to the deck.	Wait until the grass dries before mowing.
	The mulch plug is missing.	Install the mulch plug.
The machine is hard to push.	The grass is too tall, or the blade height is too low.	Increase the blade height.
	The grass catcher and the blade drags in thick grass.	Empty the grass clippings from the grass catcher.
There is a high vibration in the machine.	The blade is unbalanced and worn.	Replace the blade.
	The motor shaft is bent.	<ol style="list-style-type: none"> <li>1. Stop the motor.</li> <li>2. Remove the safety key and battery pack.</li> <li>3. Disconnect the power source.</li> <li>4. Inspect for damage.</li> <li>5. Repair the machine before you start it again.</li> </ol>
The machine stops during mowing.	The blade height is too low.	Increase the blade height.
	The battery pack is out of power.	Charge the battery pack.
	The grass clippings attach to the deck or the blade.	Remove the battery pack and check the deck.
	Operation temperature of the machine is too high.	Cool the machine.

\* If you cannot find the solution to these problems, go to the service center.

## 11 TECHNICAL DATA

Voltage	40 V
No load speed	3600 RPM
Deck size	14"
Height adjustments	1 3/8" - 3 3/8" (3.5 - 8.5 cm)
Functions	2-in-1 Mulch & Rear Bag
Weight (without battery pack)	32.2 lbs (14.6 kg)
Battery model	29662 and other BAF series
Charger model	29692 and other CAF series

## 12 LIMITED WARRANTY



Greenworks hereby warrants this product, to the original purchaser with proof of purchase, for a period of three (3) years against defects in materials, parts or workmanship. Greenworks, at its own discretion will repair or replace any and all parts found to be defective, through normal use, free of charge to the customer. This warranty is valid only for units which have been used for personal use that have not been hired or rented for industrial/commercial use, and that have been maintained in accordance with the instructions in the owners' manual supplied with the product from new.

### ITEMS NOT COVERED BY WARRANTY:

1. Any part that has become inoperative due to misuse, commercial use, abuse, neglect, accident, improper maintenance, or alteration; or
2. The unit, if it has not been operated and/or maintained in accordance with the owner's manual; or
3. Normal wear, except as noted below;
4. Routine maintenance items such as lubricants, blade sharpening;
5. Normal deterioration of the exterior finish due to use or exposure.

### HELPLINE:

Warranty service is available by calling our toll-free helpline, at 1-888-909-6757.

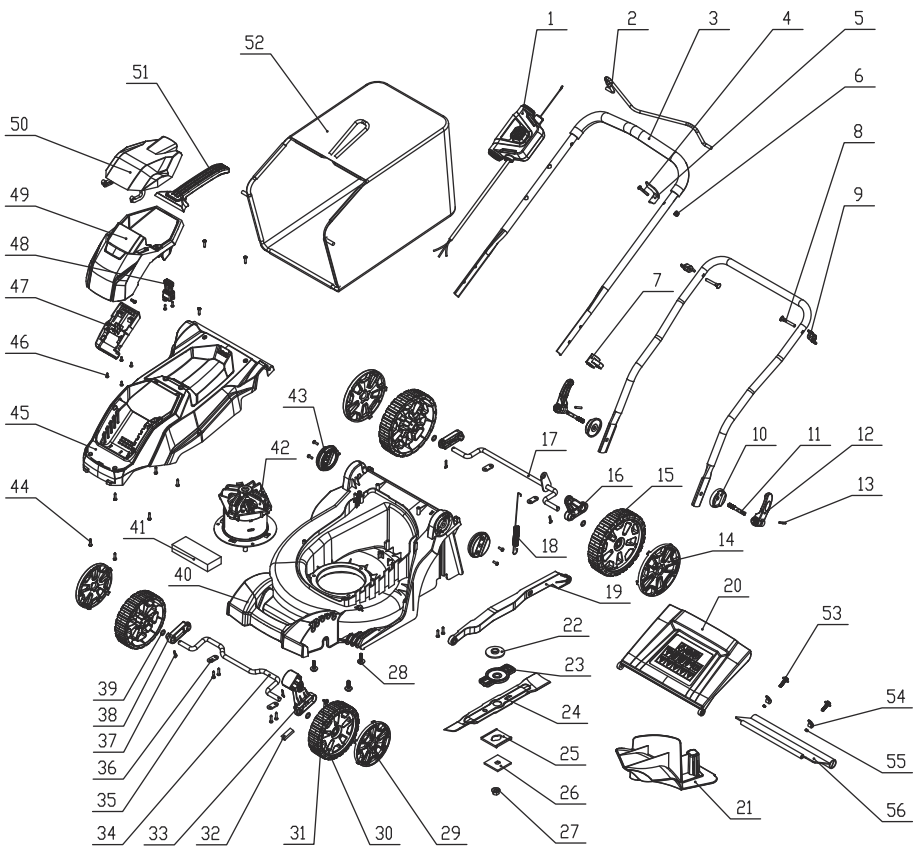
### TRANSPORTATION CHARGES:

Transportation charges for the movement of any power equipment unit or attachment are the responsibility of the purchaser. It is the purchaser's responsibility to pay transportation charges for any part submitted for replacement under this warranty unless such return is requested in writing by Greenworks.

### CANADIAN ADDRESS:

Greenworks Tools Canada Inc.  
1110 Stellar Drive Unit 102  
Newmarket, ON, L3Y 7B7

13 EXPLODED VIEW



No.	Part No.	Qty	Description
1	C1100010-00	1	Switch box assembly
2	33314493	1	Bail switch
3	33312493D	1	Upper handle
4	32208250	1	Screw
5	33323250-1	1	Limit piece
6	3220439	1	Nut
7	3411135-1	1	Cord retainer
8	322011561	2	Bolt
9	3410835AB	2	Knob
10	341211558	2	Clamping block
11	322011558	2	Bolt
12	34102466-1	2	Quick-release fasteners

13	32901466	2	Pin
14	341131558	2	Decorative cover
15	341121558	2	7" wheel
16	341191558	1	Rear wheel axle bracket
17	311121558	1	Rear wheel axle
18	333071559	1	Tension spring(rear cover)
19	341081558	1	Height adjustment link bar
20	341051558A	1	Rear discharge door
21	341091558	1	Mulch plug
22	3320238A-1	1	Axle sleeve
23	34117470	1	Blade holder
24	33304493	1	Blade
25	3410535	1	Blade insulator
26	3331435A	1	Washer
27	3221037	1	Nut
28	32200135	3	Bolt
29	341111558	2	Decorative cover
30	341101558	2	6" Wheel
31	322031558A	1	Screw
32	332041558	1	Clip reed
33	341071558	1	Height adjustment lever
34	333011558	1	Front wheel axle
35	32204113D	8	Screw
36	33306470	4	Height adjustment press plate
37	3290135	4	Screw
38	34105493	2	Fixing block
39	33310488	4	Washer
40	341011580	1	14" Deck
41	339021558	1	Clump weight
42	36101470A	1	Motor
43	341221558	1	Washer
44	32205836	5	Screw
45	341021558	1	Cover
46	322071558	4	Screw
47	341141558	1	Block
48	311051479	1	Key assembly
49	341031558H	1	Battery door
50	341041558A	1	Transparent cover
51	341061558	1	Handle

52	C1100029-00	1	Grass catcher
53	32205836	2	Screw
54	3330490-1	2	Rear shield
55	3221237	2	Nut
56	34201493A	1	Rear guard



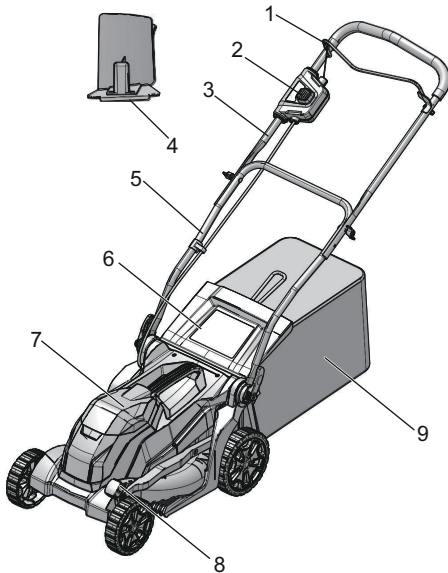
<b>1</b>	<b>Description.....</b>	<b>18</b>	7.4	Installez le sac arrière.....	24
1.1	But .....	18	7.5	Installez le bouchon de déchiquetage.....	24
1.2	Aperçu.....	18	7.6	Réglez la hauteur de la lame.....	24
<b>2</b>	<b>Lisez toutes les instructions .....</b>	<b>18</b>	7.7	Installez le bloc-batterie.....	25
2.1	Les enfants et les curieux .....	18	7.8	Retirez le bloc-batterie.....	25
2.2	Fonctionnement.....	18	<b>8</b>	<b>Utilisation.....</b>	<b>25</b>
2.3	Utilisation sur une pente.....	20	8.1	Démarrez la machine.....	25
2.4	Service/Entretien.....	20	8.2	Arrêtez la machine .....	25
<b>3</b>	<b>Symboles figurant sur la</b>		8.3	Videz le sac arrière.....	26
	<b>machine.....</b>	<b>21</b>	8.4	Travaillez sur les pentes.....	26
<b>4</b>	<b>Niveaux de risques.....</b>	<b>22</b>	8.5	Conseils sur l'utilisation.....	26
<b>5</b>	<b>Élimination des batteries sans</b>		<b>9</b>	<b>Entretien .....</b>	<b>26</b>
	<b>danger pour l'environnement.....</b>	<b>22</b>	9.1	Entretien général .....	26
<b>6</b>	<b>Proposition 65.....</b>	<b>23</b>	9.2	Remplacez la lame.....	27
<b>7</b>	<b>Installation .....</b>	<b>23</b>	9.3	Entreposez la machine.....	27
7.1	Déballer la machine .....	23	<b>10</b>	<b>Dépannage .....</b>	<b>27</b>
7.2	Déployez la poignée inférieure.....	23	<b>11</b>	<b>Données techniques .....</b>	<b>28</b>
7.3	Installez la poignée supérieure .....	24	<b>12</b>	<b>Garantie limitée.....</b>	<b>28</b>
			<b>13</b>	<b>Vue éclatées.....</b>	<b>29</b>

## 1 DESCRIPTION

### 1.1 BUT

Cette machine est utilisée pour tondre le gazon à la maison. La lame de coupe doit être approximativement parallèle au sol. Les quatre roues doivent toucher le sol pendant que vous tondez.

### 1.2 APERÇU



- 1 Barre de sécurité
- 2 Bouton de démarrage
- 3 Partie supérieure du guidon
- 4 Bouchon de déchetage
- 5 Poignée inférieure
- 6 Trappe d'éjection arrière
- 7 Trappe de la batterie
- 8 Levier de réglage de la hauteur
- 9 Sac arrière

## 2 LISEZ TOUTES LES INSTRUCTIONS

### ▲ DANGER

Cette machine a été fabriquée pour être utilisée conformément aux consignes de sécurité qui figurent dans ce manuel. Comme avec tout autre type d'équipement motorisé, la négligence ou une erreur de la part de l'utilisateur peut provoquer des blessures graves. Cette machine est capable d'amputer les mains et les pieds et de projeter des objets. Le non-respect de toutes les consignes de sécurité peut entraîner des blessures graves, voire mortelles.

### i REMARQUE

Lorsque vous utilisez une tondeuse à gazon électrique, des précautions de sécurité de base doivent toujours être prises pour réduire les risques d'incendie, de choc électrique et de blessures corporelles. Ces précautions de base comprennent ce qui suit :

### 2.1 LES ENFANTS ET LES CURIEUX

Des accidents tragiques peuvent se produire si l'opérateur ne fait pas attention à la présence des enfants ou des curieux.

- Garder la zone d'opération à l'écart de toute personne, en particulier les jeunes enfants et les animaux domestiques.
- Soyez extrêmement prudent lorsque vous approchez un angle mort, une porte, un arbuste, un arbre ou tout autre objet qui pourrait obscurcir votre vision d'un enfant ou d'un curieux. Gardez les enfants, les curieux, les assistants et les animaux domestiques à au moins 30 m (100 pi) de la tondeuse lorsqu'elle est en marche. Arrêtez la machine si quelqu'un s'approche.
- Ne permettez jamais à des enfants de moins de 14 ans d'utiliser une tondeuse électrique. Les opérateurs âgés de 14 ans et plus doivent lire et comprendre le manuel d'utilisation et les règles de sécurité. Seules les personnes responsables et qui connaissent ces règles de sécurité doivent être autorisées à utiliser cette machine.

### 2.2 FONCTIONNEMENT

- Lisez attentivement ce manuel d'utilisation dans son intégralité avant d'assembler ou d'utiliser cette machine. Avant de démarrer, veuillez lire, comprendre et suivre toutes les instructions présentes dans le manuel d'utilisation et sur la machine. Familiarisez-vous avec les commandes et l'utilisation correcte de cette machine avant de l'utiliser. Conservez ce manuel pour référence future et régulière.
- N'utilisez la tondeuse à gazon que pour les travaux auxquels elle est destinée. Votre tondeuse à gazon a été conçue pour effectuer un seul travail : couper l'herbe.
- N'essayez jamais de régler la hauteur des roues lorsque le moteur est en marche.

- Ne forcez pas la tondeuse à gazon, elle fera le travail mieux et de façon plus sécuritaire au rythme pour lequel elle a été conçue.
- Ne vous penchez pas trop, gardez un bon équilibre en tout temps. De nombreuses blessures surviennent lorsque la tondeuse est tirée sur le pied lors d'une chute causée par un glissement ou un trébuchement. Faites attention de ne pas glisser et de ne pas tomber pour éviter des blessures graves. Si vous sentez que vous perdez l'équilibre, relâchez immédiatement le guidon et la lame s'arrêtera de tourner dans les trois secondes.
- Inspectez soigneusement l'endroit où l'équipement doit être utilisé et enlevez toutes les pierres, les bâtons, les fils, les os et autres objets étrangers.
- Évitez tout démarrage accidentel. Assurez-vous que l'interrupteur est en position d'arrêt avant de brancher la batterie, de soulever ou de transporter l'appareil. Le fait de porter l'appareil avec un doigt sur l'interrupteur ou d'alimenter l'appareil dont l'interrupteur est en marche risque de provoquer des accidents.
- Ne tirez jamais la tondeuse vers vous lorsque vous marchez. Si vous devez reculer la tondeuse loin d'un mur ou d'un obstacle, regardez d'abord vers le bas et derrière vous pour éviter de trébucher, puis suivez ces étapes :
  - Éloignez-vous de la tondeuse pour allonger complètement vos bras.
  - Assurez-vous de rester bien en équilibre.
  - Tirez lentement sur la tondeuse.
- Débranchez le bloc-batterie de l'outil électrique avant d'effectuer des réglages, de changer des accessoires ou de ranger la machine. De telles mesures de sécurité préventives réduisent le risque d'un démarrage accidentel de la machine.
- Avant de reculer et en reculant avec la tondeuse, regardez derrière vous et vers le bas pour voir s'il y a de jeunes enfants et d'autres personnes.
- N'utilisez pas la tondeuse si vous êtes sous l'influence d'alcool ou de drogues. Restez vigilant et faites attention à ce que vous faites en tout temps. Faites preuve de bon jugement et n'utilisez pas la tondeuse si vous êtes fatigué.
- Portez toujours des lunettes de sécurité ou des lunettes de protection pendant l'utilisation et lors d'un ajustement ou d'une réparation pour protéger vos yeux. Les objets projetés qui ricochent peuvent causer de graves blessures aux yeux. Utilisez toujours un masque facial ou un masque anti-poussière si l'opération est poussiéreuse.
- En tout temps, se tenir à l'écart de l'ouverture de déchargement. Ne placez jamais vos mains ou vos pieds près d'une pièce en mouvement ou sous le plateau de coupe. La lame en mouvement peut amputer les mains et les pieds.
- Planifiez votre tracé de tonte de manière à éviter tout déversement de matériaux vers les routes, les trottoirs, les passants et autres endroits semblables. De plus, évitez de décharger le produit contre des murs ou des obstructions, ce qui pourrait faire ricocher le produit déchargé vers l'opérateur.
- Pour éviter la lame ou une blessure par un objet projeté, restez dans la zone de l'opérateur derrière les guidons.
- Un couvercle de décharge manquant ou endommagé peut causer un contact avec la lame ou des blessures causées par des objets projetés.
- Les objets heurtés par la lame de la tondeuse à gazon peuvent causer de graves blessures aux personnes. Le gazon doit toujours être soigneusement examiné et débarrassé de tout objet avant chaque tonte.
- Arrêtez la lame lorsque vous traversez des chemins de gravier, des chemins ou des routes.
- Suivez toutes les instructions de recharge et ne rechargez pas le bloc-batterie ou l'appareil en dehors de la plage de température spécifiée dans ces instructions. Un rechargement incorrect ou à des températures en dehors de la plage spécifiée peut endommager la batterie et augmenter le risque d'incendie.
- Si la tondeuse heurte un corps étranger, procédez comme suit :
  - Relâchez l'interrupteur d'arrêt d'urgence pour désengager le moteur.
  - Retirez le bloc-batterie.
  - Vérifiez qu'elle n'est pas endommagée.
  - Réparez toutes les pièces endommagées avant de redémarrer et d'utiliser la tondeuse à gazon.
- Faites effectuer l'entretien par un réparateur qualifié en n'utilisant que des pièces de rechange identiques. Cela garantira le maintien de la sécurité du produit.
- Habillez-vous correctement, ne portez pas de vêtements amples ou de bijoux qui pourraient se coincer dans les pièces en mouvement. Le port de gants de sécurité et de chaussures appropriées est recommandé pour travailler à l'extérieur. Portez des chaussures de travail robustes à semelle rugueuse et des pantalons et des chemises bien ajustés. Une chemise et un pantalon qui protègent les bras et les jambes et des chaussures à bout d'acier sont recommandés. N'utilisez jamais cette machine pieds nus, en sandales, en chaussures glissantes ou légères (par ex., en toile).
- Ne modifiez pas ou n'essayez pas de réparer l'appareil ou la batterie (selon le cas) sauf en conformité avec les instructions d'utilisation et d'entretien indiquées dans ce manuel.
- Portez un couvre-chef protecteur pour contenir les cheveux longs.
- Évitez les environnements dangereux, n'utilisez pas la tondeuse à gazon dans des endroits humides ou mouillés ou s'il pleut.
- Entreposez la tondeuse inutilisée à l'intérieur - Lorsqu'ils ne sont pas utilisés, les appareils doivent être entreposés à l'intérieur, dans un endroit sec, surélevé ou verrouillé, hors de la portée des enfants. Retirez toujours la batterie de la tondeuse avant de la ranger.
- Ne tondez qu'à la lumière du jour ou sous une bonne lumière artificielle. Marchez, ne courez jamais pendant l'opération.

- Si l'équipement commence à vibrer anormalement, arrêtez immédiatement le moteur, retirez la batterie et vérifiez la cause. Les vibrations sont généralement un avertissement indiquant que la machine ne fonctionne pas correctement.
- Vérifiez fréquemment la détérioration et l'usure du sac et remplacez les sacs usés. Vérifiez que les sacs de remplacement sont conformes aux recommandations ou aux spécifications du fabricant d'origine.
- Avant de nettoyer la machine, de déboucher ou d'enlever le sac à herbe, le dispositif de déchetage ou la goulotte d'éjection latérale, arrêtez le moteur et attendez que la lame s'arrête complètement, puis retirez le bloc-batterie. La lame continue à tourner pendant quelques secondes après que le moteur s'est éteint. N'exécutez jamais ces fonctions tant que vous n'êtes pas sûr que la lame ne tourne plus.
- Gardez la lame de coupe propre et tranchante pour assurer la meilleure performance.
- Inspectez périodiquement les dispositifs de sécurité et les cordons pour vous assurer qu'ils ne sont pas endommagés. Si l'appareil est endommagé, ne l'utilisez pas avant qu'il n'ait été réparé par un professionnel autorisé.
- N'utilisez jamais la tondeuse sans le couvercle de décharge, le sac à herbe, le bouchon de déchetage, la goulotte d'éjection latérale ou tout autre dispositif de sécurité approprié en place et en fonctionnement. N'utilisez jamais la tondeuse si ses dispositifs de sécurité sont endommagés. Le non-respect de cette consigne peut entraîner des blessures corporelles.
- Utilisez uniquement les batteries et les chargeurs approuvés. Les batteries et les chargeurs non approuvés peuvent endommager la tondeuse ou blesser l'opérateur.
- Ne jetez pas la batterie au feu. Les cellules peuvent s'enflammer. Consultez les codes locaux et la gestion des déchets pour connaître les instructions d'élimination appropriées.
- Lorsque le bloc batterie n'est pas utilisé, éloignez-le des autres objets métalliques tels qu'attaches trombones, pièces de monnaie, clés, clous, vis ou autres petits objets métalliques qui peuvent établir une connexion d'une borne à une autre. Le court-circuitage des bornes de la batterie peut provoquer des brûlures ou un incendie.
- Ne tentez pas d'ouvrir ni d'abîmer la batterie. Les électrolytes contenus dans la batterie sont corrosifs et peuvent causer des dommages aux yeux ou à la peau s'ils sont rejetés. L'électrolyte peut être toxique lorsqu'elle est avalée.
- Dans des conditions abusives, du liquide peut être éjecté de la batterie ; évitez tout contact. En cas de contact accidentel, rincez avec de l'eau. En cas de contact avec les yeux, consultez également un médecin. Le liquide s'échappant des batteries peut causer des irritations ou des brûlures.
- N'exposez pas un bloc-batterie ou un appareil au feu ou à une température excessive. L'exposition au feu ou une

température supérieure à 130°C peut provoquer une explosion.

- Manipulez les batteries avec la plus grande prudence afin d'éviter de court-circuiter la batterie avec des matériaux conducteurs tels que bagues, bracelets, clés, etc. La batterie ou le conducteur peut surchauffer et provoquer des brûlures en cas de contact avec ces matériaux.
- N'utilisez pas une batterie ou un appareil endommagé ou modifié. Les batteries endommagées ou modifiées peuvent présenter un fonctionnement imprévisible et provoquer un incendie, une explosion ou un risque de blessure.

## 2.3 UTILISATION SUR UNE PENTE

Les pentes sont un facteur majeur lié aux accidents de glissade et de chute, qui peuvent entraîner des blessures graves. L'utilisation sur les pentes exige une prudence supplémentaire. Si vous vous sentez mal à l'aise sur une pente, ne tondez pas du gazon.

À faire :

- Tondez sur la face des pentes ; ne tondez jamais de haut en bas. Faites très attention en changeant de direction sur une pente.
- Surveillez les trous, les ornières, les pierres, les objets cachés ou les bosses qui peuvent vous faire glisser ou trébucher. Les herbes hautes peuvent masquer des obstacles.

À ne pas faire :

- Ne tondez pas des pentes trop raides.
- Ne tondez pas près d'un dénivellement prononcé, d'un fossé ou du rebord d'un talus ; vous pourriez perdre pied ou perdre l'équilibre.
- Ne tondez pas les pentes de plus de 15 degrés.
- Ne tondez pas du gazon mouillé ou humide. L'instabilité de la posture au sol peut provoquer des glissements.

## 2.4 SERVICE/ENTRETIEN

- Vérifiez fréquemment que la lame et les boulons de fixation du moteur sont bien serrés.
- Remplacez la lame si elle est pliée ou fissurée. Une lame déséquilibrée provoque des vibrations qui pourraient endommager l'unité d'entraînement du moteur ou causer des blessures corporelles.
- Gardez tous les écrous, boulons et vis serrés pour vous assurer que l'outil est en état de fonctionnement sécuritaire.
- Ne lavez pas avec un tuyau d'arrosage ; évitez de mettre de l'eau dans le moteur et les connexions électriques.
- Ne jamais retirer ou modifier les dispositifs de sécurité. Vérifiez régulièrement leur bon fonctionnement. Ne jamais faire quoi que ce soit qui puisse interférer avec le fonctionnement prévu d'un dispositif de sécurité ou réduire la protection offerte par un dispositif de sécurité.

- Débarrassez la machine des brins d'herbe, feuilles et d'autres débris qui pourraient s'y accumuler. Laissez la machine se refroidir avant l'entreposage.
- N'effectuez jamais de réglages ou de réparations quand le moteur est en marche.
- Retirez toujours le bloc-batterie de la tondeuse avant de procéder au réglage, au nettoyage ou à la réparation.
- Vérifiez fréquemment les éléments du sac arrière et le dispositif de protection de la décharge et les remplacez au besoin par les pièces recommandées par le fabricant.
- Aiguiser une lame émoussée de façon égale à chaque extrémité pour maintenir l'équilibre.
- Gardez les gardes protectrices en place et en bon état de fonctionnement. Les lames de la tondeuse sont tranchantes et peuvent blesser. Enveloppez la lame avec un chiffon ou portez des gants et faites très attention en la manipulant.
- Nettoyez soigneusement la lame et vérifiez son équilibre en la soutenant horizontalement sur un clou fin par son trou central. Le clou doit être également dans une position horizontale. Si l'une ou l'autre extrémité de la lame tourne vers le bas, enlevez un peu de métal de l'extrémité lourde ou inférieure jusqu'à ce que la lame soit équilibrée. Elle est équilibrée lorsque aucune des deux extrémités ne tombe.
- Utilisez seulement des lames de rechange identiques.
- Entretenez votre tondeuse à gazon avec soin - Gardez les bords de coupe tranchants et propres pour une performance optimale et plus sûre. Suivez les instructions pour lubrifier et changer les accessoires. Inspectez périodiquement le cordon de la tondeuse. S'il est endommagé, faites-le réparer par un réparateur agréé.
- En cas de situations qui ne sont pas couvertes dans ce manuel, faites preuve de prudence et de bon jugement ou contactez le Service à la clientèle pour obtenir de l'aide.
- N'utilisez jamais la tondeuse sans les protections, les plaques ou d'autres dispositifs de protection de sécurité appropriés en place.






**La plage de température ambiante recommandée :**



Article	Température
Plage de température d'entreposage de la tondeuse	14°F (-10°C) - 104°F (40°C)
Plage de température de fonctionnement de la tondeuse	32°F (0°C) - 104°F (40°C)
Plage de température de rechargement de la batterie	39°F (4°C) - 104°F (40°C)
Plage de température de fonctionnement du chargeur	39°F (4°C) - 113°F (45°C)

Article	Température
Plage de température d'entreposage de la batterie	1 an : 32°F (0°C) - 73°F (23°C)
	3 mois : 32°F (0°C) - 113°F (45°C)
	1 mois : 32°F (0°C) - 140°F (60°C)
Plage de température de déchargement de la batterie	6.8°F (-14°C) - 113°F (45°C)

### 3 SYMBOLES FIGURANT SUR LA MACHINE


Certains des symboles suivants peuvent être utilisés sur cet outil. Veuillez les étudier et apprendre leur signification. Une bonne interprétation de ces symboles vous permettra de mieux utiliser l'outil et de manière plus sécuritaire.



Symbole	Nom	Explication
V	Volt	Voltage
A	Ampères	Courant
Hz	Hertz	Fréquence (cycles par seconde)
W	Watt	Puissance
min	Minutes	Heure
/min	Par minute	Tours, coups, vitesse périphérique, orbites, etc., par minute
	Courant alternatif	Type de courant
	Courant direct	Type ou caractéristique du courant
n <sub>0</sub>	Vitesse à vide	Vitesse rotationnelle, à vide
	Alerte de sécurité	Précautions destinées à assurer la sécurité.
	Protection des yeux	Portez toujours des lunettes de protection avec des protections latérales marquées conformément à la norme ANSI Z87.1 lorsque vous utilisez cet équipement.
	AVERTISSEMENT --- Conditions humides	Ne pas exposer la machine à la pluie ou à l'humidité.

Symbole	Nom	Explication
	Lisez le manuel d'opérateur	Pour réduire les risques de blessures, l'utilisateur doit lire et comprendre le manuel d'utilisation avant d'utiliser ce produit.
	Entretien des dispositifs de sécurité	Ne pas ouvrir ou retirer les dispositifs de sécurité lorsque l'outil est en marche.
	Regardez derrière vous quand vous reculez	Regardez d'abord vers le bas et vers l'arrière pour éviter de trébucher lorsque vous tirez vers l'arrière.
	<b>DANGER</b> --- Maintenez à distance les mains et les pieds	Pour réduire les risques de blessures, éloignez les mains et les pieds des pièces en mouvement. Ne pas faire fonctionner à moins que le couvercle de décharge ou le sac d'herbe ne soit à sa place appropriée. S'il est endommagé, remplacez-le immédiatement.
	<b>DANGER</b> --- Gardez les gens à distance	Tous les visiteurs doivent être tenus à bonne distance de la zone de travail.
	<b>DANGER</b> --- Débris rejetés	Retirez les objets qui peuvent être projetés par la lame dans n'importe quelle direction. Portez des lunettes de protection.
	<b>DANGER</b> --- Danger sur pente abrupte	Soyez particulièrement prudent sur les pentes. Ne tenez pas sur une pente inclinée à plus de 15°.

## 4 NIVEAUX DE RISQUES

Les termes de mise en garde suivants et leur signification ont pour but d'expliquer les niveaux de risques associés à l'utilisation de ce produit.

SYMBOLE	SIGNAL	SIGNIFICATION
	<b>DANGER</b>	Indique une situation dangereuse imminente qui, si elle n'est pas évitée, peut entraîner la mort ou des blessures graves.

SYMBOLE	SIGNAL	SIGNIFICATION
	<b>AVERTISSEMENT</b>	Indique une situation potentiellement dangereuse qui, si elle n'est pas évitée, peut entraîner la mort ou des blessures graves.
	<b>MISE EN GARDE</b>	Indique une situation potentiellement dangereuse qui, si elle n'est pas évitée, pourrait causer des blessures mineures ou modérées.
	<b>MISE EN GARDE</b>	(Sans symbole d'alerte de sécurité) Indique une situation pouvant entraîner des dommages matériels.

## 5 ÉLIMINATION DES BATTERIES SANS DANGER POUR L'ENVIRONNEMENT



Les matières toxiques et corrosives ci-dessous se trouvent dans les batteries utilisées dans cette machine : **Lithium-ion, une substance toxique.**

### ▲ AVERTISSEMENT

Éliminez toutes les substances toxiques d'une manière spécifiée afin de prévenir la contamination de l'environnement. Avant de jeter une batterie Li-ion endommagée ou usée, contactez votre agence locale d'élimination des déchets ou l'agence locale de protection de l'environnement pour obtenir des informations et des instructions spécifiques. Apportez les batteries à un centre local de recyclage ou d'élimination certifié pour l'élimination de batteries au lithium-ion.

## ▲ AVERTISSEMENT

Si la batterie se fend ou se brise, avec ou sans fuites, ne la rechargez pas et ne l'utilisez pas. Jetez-la et remplacez-la par une nouvelle batterie. **N'ESSAYEZ PAS DE LA RÉPARER !** Pour prévenir les blessures et les risques d'incendie, d'explosion ou de choc électrique, et pour éviter tout dommage à l'environnement :

- Couvrez les bornes de la batterie avec du ruban adhésif résistant.
- **NE PAS** essayer d'enlever ou de détruire les composants de la batterie.
- **NE PAS** essayer d'ouvrir ou de réparer la batterie.
- En cas de fuite, les électrolytes rejetés sont corrosifs et toxiques. **NE PAS** laisser entrer la solution dans les yeux ou en contact avec la peau et ne pas l'avaler.
- **NE PAS** jeter vos batteries usagées dans votre poubelle à ordures ménagères.
- **NE PAS** incinérer.
- **NE LES** Mettez **PAS** dans un endroit où ils feront partie d'un site d'enfouissement de déchets ou d'un flux de déchets solides municipaux.
- Emmenez-les dans un centre de recyclage ou d'élimination certifié.

## 6 PROPOSITION 65

### ▲ AVERTISSEMENT

Ce produit contient un produit chimique connu dans l'état de Californie comme étant une cause de cancer, de malformations congénitales ou d'autres problèmes de reproduction. Certaines poussières produites par le ponçage mécanique, le sciage, le meulage, le perçage et d'autres activités de construction contiennent des produits chimiques connus pour causer le cancer, des malformations congénitales ou d'autres problèmes de reproduction. Voici quelques exemples de ces produits chimiques :

- Plomb provenant de peintures à base de plomb;
- Silice cristalline provenant de briques, de ciment et d'autres produits de maçonnerie;
- Arsenic et chrome provenant de bois traité chimiquement.

Votre risque d'exposition à ces produits chimiques varie selon la fréquence à laquelle vous faites ce type de travail. Pour réduire votre exposition à ces produits chimiques, travaillez dans un endroit bien ventilé et utilisez un équipement de sécurité approuvé, comme des masques anti-poussière spécialement conçus pour filtrer les particules microscopiques.

**Conservez ces instructions**

## 7 INSTALLATION

### ▲ AVERTISSEMENT

Ne changez pas ou ne fabriquez pas des accessoires qui ne sont pas recommandés par le fabricant.

### ▲ AVERTISSEMENT

Ne mettez pas la clé de sécurité ou le bloc-batterie tant que vous n'avez pas assemblé toutes les pièces.

### 7.1 DÉBALLEZ LA MACHINE

#### ▲ AVERTISSEMENT

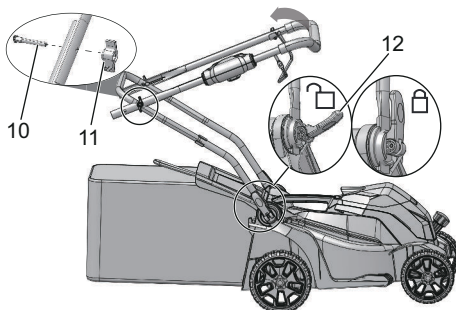
Assurez-vous d'assembler correctement la machine avant de l'utiliser.

#### ▲ AVERTISSEMENT

- Si les pièces sont endommagées, n'utilisez pas la machine.
- Si vous n'avez pas toutes les pièces, n'utilisez pas la machine.
- Si les pièces sont endommagées ou manquantes, communiquez avec le centre de service.

1. Ouvrez l'emballage.
2. Lisez la documentation contenue dans la boîte.
3. Retirez toutes les pièces non assemblées de la boîte.
4. Retirez la machine de sa boîte.
5. Jetez la boîte et l'emballage en respectant les règlements locaux.

### 7.2 DÉPLOYEZ LA POIGNÉE INFÉRIEURE



1. Tirez la partie supérieure du guidon vers le haut et vers l'arrière pour soulever le guidon en position de fonctionnement. Assurez-vous que les guidons s'emboîtent bien place.
2. Serrez la partie inférieure du guidon avec les leviers à dégagement rapide (12) sur les deux côtés.

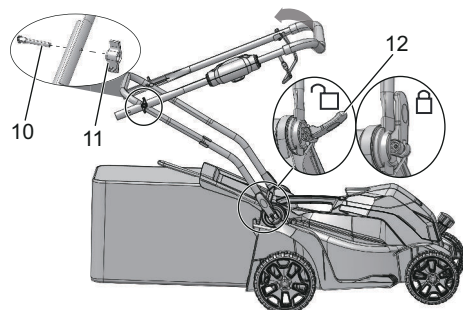
## **i** REMARQUE

Assurez-vous que les deux guidons dans la même position.

## **▲** AVERTISSEMENT

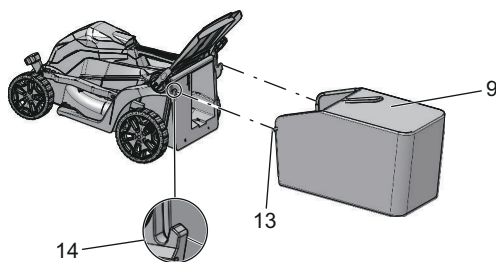
N'endommagez pas les câbles lorsque vous pliez ou dépliez le guidon.

### 7.3 INSTALLEZ LA POIGNÉE SUPÉRIEURE



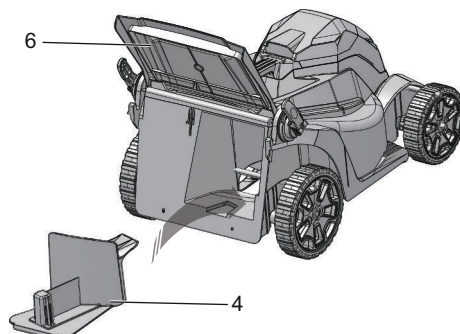
1. Alignez les trous dans la poignée supérieure et dans la poignée inférieure.
2. Introduisez les boulons (10) dans les trous.
3. Serrez les boutons(11) sur les boulons.
4. Faites la même opération sur l'autre côté.

### 7.4 INSTALLEZ LE SAC ARRIÈRE



1. Retirez le bouchon de déchetage.
2. Ouvrez et retenez la trappe d'éjection arrière.
3. Tenez le collecteur d'herbe (9) par sa poignée et placez les crochets (13) dans les fentes (14).
4. Fermez la trappe d'éjection arrière.

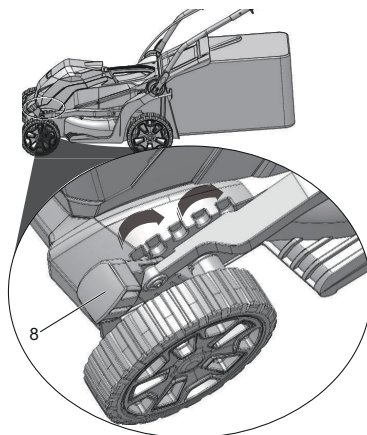
### 7.5 INSTALLEZ LE BOUCHON DE DÉCHQUETAGE



1. Retirez le sac arrière.
2. Ouvrez et retenez la trappe d'éjection arrière (6).
3. Tenez le bouchon de déchetage(4) par sa poignée et insérez-le dans la goulotte d'éjection.
4. Fermez la trappe d'éjection arrière.

### 7.6 RÉGLEZ LA HAUTEUR DE LA LAME

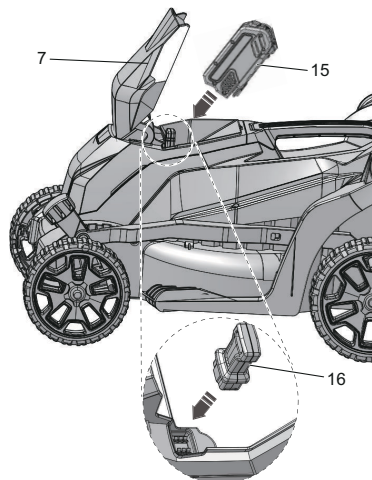
La lame de la machine peut être réglée à différentes hauteurs.



1. Tirez le levier de réglage de la hauteur (8) vers l'arrière pour augmenter la hauteur de la lame.
2. Tirez le levier de réglage de la hauteur vers l'avant pour diminuer la hauteur de la lame.



## 7.7 INSTALLEZ LE BLOC-BATTERIE



### ▲ AVERTISSEMENT

- Si le bloc-batterie ou le chargeur est endommagé, remplacez-le, au besoin.
- Arrêtez la machine et attendez que le moteur s'arrête avant d'installer ou de retirer le bloc-batterie.
- Lisez, comprenez et suivez les instructions du manuel du bloc-batterie et du chargeur.

### i REMARQUE

La machine dispose d'un compartiment de stockage du bloc-batterie qui permet de ranger le bloc-batterie.

1. Ouvrez la trappe de la batterie (7).
2. Alignez les languettes du bloc-batterie (15) avec les rainures du compartiment de batterie.
3. Poussez le bloc-batterie dans le compartiment de batterie jusqu'à ce qu'il soit bien encliqueté.
4. Vous devriez entendre un clic lorsque le bloc-batterie sera inséré correctement.
5. Fermez la trappe de la batterie.

### i REMARQUE

Le moteur ne démarre que lorsque vous insérez la clé de sécurité (15).

## 7.8 RETIREZ LE BLOC-BATTERIE

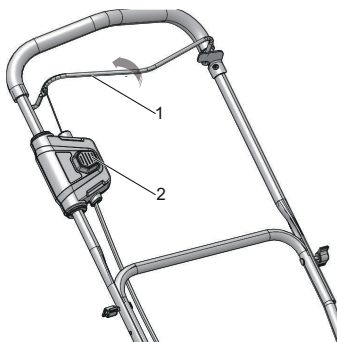
1. Ouvrez la trappe de la batterie.
2. Retirez la clé de sécurité.
3. Poussez et maintenez enfoncé le bouton de déblocage de la batterie.
4. Retirez le bloc-batterie de la machine.

## 8 UTILISATION

### ▲ AVERTISSEMENT

Portez des lunettes de protection pendant l'utilisation.

## 8.1 DÉMARREZ LA MACHINE



1. Insérez la clé de sécurité.
2. Appuyez sur le bouton de mise en marche et maintenez-le enfoncé (2).
3. Pendant que vous maintenez le bouton de démarrage enfoncé, tirez l'interrupteur d'écartement (1) dans la direction du guidon.
4. Relâchez le bouton de démarrage pour démarrer la machine.

## 8.2 ARRÊTEZ LA MACHINE

1. Relâchez l'interrupteur d'arrêt d'urgence pour arrêter la machine.

### ▲ AVERTISSEMENT

Attendez que les lames s'arrêtent complètement avant de redémarrer la machine. N'éteignez pas et n'allumez pas brusquement la machine.

### ▲ AVERTISSEMENT

Retirez toujours la clé de sécurité et le bloc-batterie après avoir terminé le travail.

## 8.3 VIDEZ LE SAC ARRIÈRE



1. Arrêtez la machine.
2. Retirez le bloc-batterie.
3. Ouvrez et retenez la trappe d'éjection arrière.
4. Tenez le sac arrière par sa poignée et décrochez-le des fentes.
5. Fermez la trappe d'éjection arrière.
6. Videz le sac arrière.

## 8.4 TRAVAILLEZ SUR LES PENTES

### ▲ AVERTISSEMENT

Ne tondez pas sur une pente inclinée à plus de 15°. Si vous n'êtes pas à l'aise, ne tondez pas sur une pente.

- Ne changez pas de direction de haut en bas, ou vice-versa, lorsque vous tondez sur une pente. Soyez prudent lorsque vous changez la direction sur une pente.
- Surveillez les trous, les ornières, les rochers et tout autres objets cachés qui peuvent vous faire tomber. Retirez tous les obstacles tels que les rochers et les branches d'arbre.
- Assurez-vous que vous êtes bien campé et en équilibre. Si vous perdez l'équilibre, relâchez immédiatement la poignée du boîtier de commutation.
- Ne tondez pas près d'un dénivellement, d'un fossé ou du rebord d'un talus.

## 8.5 CONSEILS SUR L'UTILISATION

- N'essayez pas de désactiver le fonctionnement du bouton de démarrage ou de la barre de sécurité.
- N'inclinez pas la machine lorsque vous la démarrez.
- Ne placez pas les mains ou les pieds à proximité ou en dessous des pièces en mouvement.
- Gardez la trappe d'éjection arrière propre.
- Ne coupez l'herbe humide.
- Une hauteur de lame plus élevée est nécessaire pour un gazon nouveau ou épais.

- Nettoyez le plateau de la tondeuse après chaque utilisation. Enlevez les débris d'herbe coupée, les feuilles, la saleté et autres débris.

## 9 ENTRETIEN

### ▲ AVERTISSEMENT

Retirez la clé de sécurité et le bloc-batterie de la machine avant l'entretien.

### ▲ AVERTISSEMENT

Veillez à ce que le moteur et la batterie soient exempts d'herbe, de feuilles ou d'un excès de graisse.

### ▲ ATTENTION

Utilisez seulement les pièces de rechange approuvées.

### ▲ ATTENTION

Évitez que les liquides de freins, l'essence et les matériaux à base de pétrole ne viennent en contact avec les pièces en plastique. Les produits chimiques peuvent endommager le plastique et le rendre inutilisable.

### ▲ ATTENTION

N'utilisez pas de solvants ou de détergents puissants sur le boîtier ou les composants en plastique.

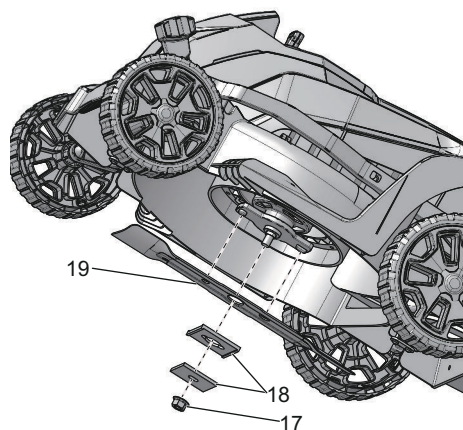
### ■ REMARQUE

Couple de serrage recommandé (Lame) : 33-37 Nm.

## 9.1 ENTRETIEN GÉNÉRAL

- Avant chaque utilisation, vérifiez que la machine ne contient pas de pièces endommagées, manquantes ou desserrées, telles que vis, écrous, boulons et capuchons.
- Serrez correctement toutes les fixations et les capuchons.
- Nettoyez la machine avec un chiffon sec. N'utilisez pas de l'eau.

## 9.2 REMPLACEZ LA LAME



### ▲ AVERTISSEMENT

Utilisez seulement les lames de rechange approuvées.

### ▲ AVERTISSEMENT

Portez des gants épais ou enroulez la lame avec un chiffon lorsque vous la touchez.

1. Arrêtez la machine.
2. Assurez-vous que la lame s'est complètement arrêtée.
3. Retirez la clé de sécurité et le bloc-batterie.
4. Tournez la machine sur le côté.
5. Utilisez un morceau de bois pour empêcher le mouvement de la lame.
6. Retirez l'écrou de montage (17) et les entretoises (18) avec une clé ou une douille.
7. Retirez la lame (19).
8. Installez la nouvelle lame. Assurez-vous que les points soulève s'engagent dans les trous de la lame.
9. Placez les vis de fixation et les entretoises et serrez-les.

## 9.3 ENTREPOSEZ LA MACHINE

- Nettoyez la machine avant de l'entreposer.
- Assurez-vous que le moteur n'est pas chaud lorsque vous entreposez la machine.
- Assurez-vous que la machine n'a pas de pièces mal fixées ou endommagées. Au besoin, suivez ces étapes/instructions :
  - Remplacez les pièces endommagées.
  - Serrez les écrous.
  - Parlez à une personne d'un centre de service certifié.
- Entreposez la machine dans un endroit sec.

- Assurez-vous que les enfants ne peuvent pas s'approcher de la machine.

Vous devez abaisser le guidon avant de ranger la machine.

1. Desserrez complètement les fixations de blocage sur les côtés du guidon.
2. Pliage de poignée(s).
3. Ne pincez pas, ne coincez pas les câbles.

## 10 DÉPANNAGE

Problème	Cause possible	Solution
Le guidon n'est pas bien installé.	Les écrous ne sont pas bien enclenchés.	Ajustez la hauteur du guidon et assurez-vous que les boutons et les boulons sont alignés correctement.
La machine ne démarre pas.	La capacité de la batterie est faible.	Rechargez le bloc-batterie.
	La barre de sécurité défectueuse.	Remplacez la barre de sécurité.
	La clé de sécurité n'est pas insérée.	Ouvrez la trappe de la batterie et insérez.
La machine coupe l'herbe de manière irrégulière.	Le gazon est raboteux.	Inspectez la zone de tonte.
	La lame n'est pas réglée à la bonne hauteur.	Placez les roues à une hauteur plus élevée.
La machine ne déchiquette pas correctement.	Des débris d'herbe humide s'accroche au plateau.	Attendez jusqu'à ce que l'herbe soit sèche avant la tonte.
	Le bouchon de déchiquetage est manquant.	Installez le bouchon de déchiquetage.
La machine est difficile à pousser.	L'herbe est trop haute ou la hauteur de la lame est trop basse.	Augmentez la hauteur de la lame.
	Le sac arrière et la lame traînent dans l'herbe épaisse.	Videz les débris d'herbe humide du sac arrière.

Problème	Cause possible	Solution
Il y a une forte vibration dans la machine.	La lame est déséquilibrée et usée.	Remplacez la lame.
	L'arbre du moteur est tordu.	<ol style="list-style-type: none"> <li>1. Arrêtez le moteur.</li> <li>2. Retirez la clé de sécurité et le bloc-batterie.</li> <li>3. Déconnectez la source d'alimentation.</li> <li>4. Vérifiez qu'elle n'est pas endommagée.</li> <li>5. Réparez la machine avant de la redémarrer.</li> </ol>
Le moteur s'arrête pendant la tonte.	La hauteur de la lame est trop basse.	Augmentez la hauteur de la lame.
	Le bloc-batterie est déchargé.	Rechargez le bloc-batterie.
	Des débris d'herbe humide s'accroche au plateau ou à la lame.	Retirez le bloc-batterie et vérifiez le plateau.
	La température de fonctionnement de la machine est trop élevée.	Laissez la machine se refroidir.

\* Si vous ne trouvez pas une solution à ces problèmes, communiquez avec le centre de service.

## 11 DONNÉES TECHNIQUES

Voltage	40 V
Vitesse à vide	3600 RPM
Réglages de la hauteur	1 3/8" - 3 3/8" (3.5 - 8.5 cm)
Taille du plateau	14"
Fonctions	2-in-1 Capacités de déchetage et d'ensachage arrière
Poids (sans block-piles)	32.2 lbs (14.6 kg)
Batterie (modèle)	29662 et autres séries BAF

Chargeur (modèle)	29692 et autres séries CAF
-------------------	----------------------------

## 12 GARANTIE LIMITÉE



Greenworks garantit par la présente ce produit, à l'acheteur original avec preuve d'achat, pour une période de trois (3) ans contre tout défaut de matériaux, de pièces ou de main-d'œuvre. Greenworks, à sa propre discrétion, réparera ou remplacera toutes les pièces défectueuses, dans des conditions normales d'utilisation, sans frais pour le client. Cette garantie n'est valable que pour les appareils qui ont été utilisés à des fins personnelles, qui n'ont pas été loués à des fins industrielles ou commerciales et qui ont été entretenus conformément aux instructions du manuel du propriétaire fourni avec le produit neuf.

### ARTICLES NON COUVERTS PAR LA GARANTIE :

1. Toute pièce qui est devenue inopérante en raison d'une mauvaise utilisation, d'une utilisation commerciale, d'un abus, d'une négligence, d'un accident, d'un entretien inapproprié ou d'une modification ; ou
2. L'appareil, s'il n'a pas été utilisé et/ou entretenu conformément au manuel du propriétaire ; ou
3. Usure normale, sauf comme indiqué ci-dessous ;
4. Articles d'entretien courant tels que lubrifiants, affûtage des lames ;
5. Détérioration normale du fini extérieur due à l'utilisation ou à l'exposition.

### ASSISTANCE TÉLÉPHONIQUE :

Le service de garantie est disponible en appelant notre ligne d'assistance téléphonique sans frais, au 1-888-909-6757.

### FRAIS DE TRANSPORT :

Les frais de transport pour le déplacement de tout équipement motorisé ou accessoire sont à la charge de l'acheteur. Il incombe à l'acheteur de payer les frais de transport pour toute pièce retournée pour remplacement en vertu de la présente garantie, à moins qu'un tel retour soit demandé par écrit par Greenworks.

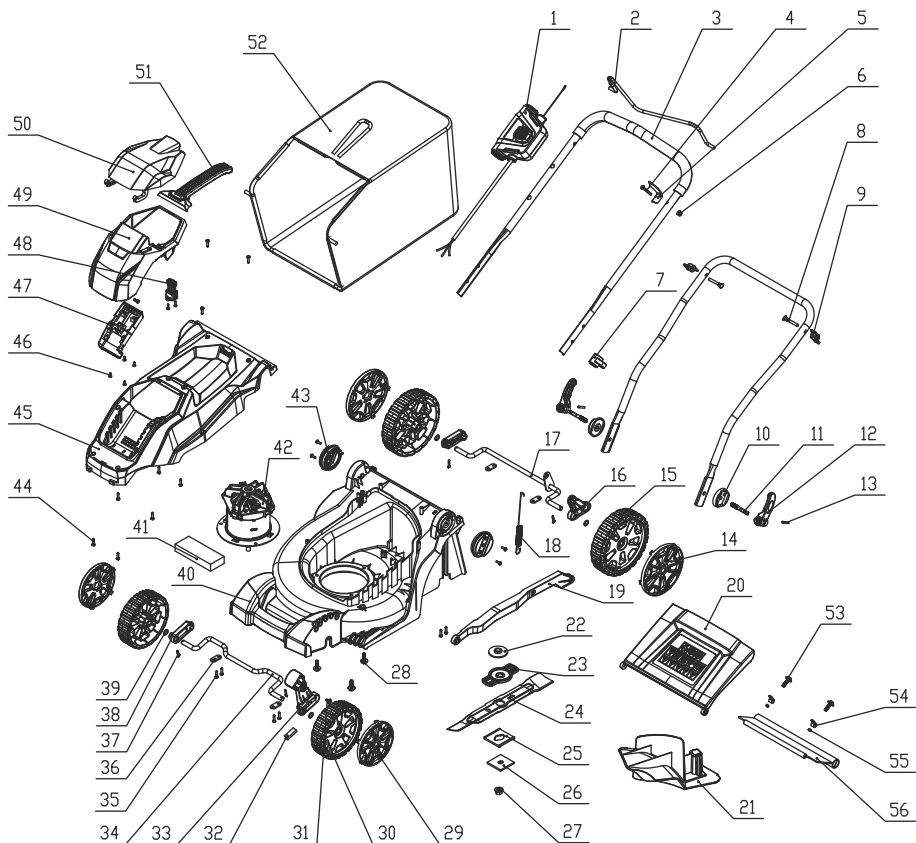
### ADRESSE AU CANADA :

Greenworks Tools Canada Inc.

1110 Promenade Stellar bureau 102

Newmarket, ON, L3Y 7B7

## 13 VUE ÉCLATÉES



No	No de pièce	Qté	Description
1	C1100010-00	1	Ensemble du boîtier de commutateur
2	33314493	1	Barre de sécurité
3	33312493D	1	Partie supérieure du guidon
4	32208250	1	Vis
5	33323250-1	1	Limitation du nombre de pièces
6	3220439	1	Écrou
7	3411135-1	1	Corde de rétention
8	322011561	2	Boulon
9	3410835AB	2	Bouton
10	341211558	2	Bloc de serrage

# Français

FR

11	322011558	2	Boulon
12	34102466-1	2	Fixations à blocage rapide
13	32901466	2	Goupille
14	341131558	2	Revêtement décoratif
15	341121558	2	Roue 7"
16	341191558	1	Support de l'axe de roue arrière
17	311121558	1	Axe de la roue arrière
18	333071559	1	Ressort de tension (couvrele arrière)
19	341081558	1	Baguette jointive de réglage de la hauteur
20	341051558A	1	Trappe d'éjection arrière
21	341091558	1	Bouchon de déchiquetage
22	3320238A-1	1	Manchon de l'essieu
23	34117470	1	Support de la lame
24	33304493	1	Lame
25	3410535	1	Isolateur de lame
26	3331435A	1	Rondelle
27	3221037	1	Écrou
28	32200135	3	Boulon
29	341111558	2	Revêtement décoratif
30	341101558	2	Roue 6"
31	322031558A	1	Vis
32	332041558	1	Anche à clip
33	341071558	1	Levier de réglage de la hauteur
34	333011558	1	Axe de la roue avant
35	32204113D	8	Vis
36	33306470	4	Plateau de réglage de la hauteur
37	3290135	4	Vis
38	34105493	2	Bloc de fixation
39	33310488	4	Rondelle
40	341011580	1	Plateau 14"
41	339021558	1	Lest de câble-guide
42	36101470A	1	Moteur
43	341221558	1	Rondelle
44	32205836	5	Vis
45	341021558	1	Couvrele
46	322071558	4	Vis
47	341141558	1	Bloc
48	311051479	1	Visserie de fixation
49	341031558H	1	Trappe de la batterie

## Français

50	341041558A	1	Couvercle transparent
51	341061558	1	Guidon
52	C1100029-00	1	Sac arrière
53	32205836	2	Vis
54	3330490-1	2	Protection arrière
55	3221237	2	Écrou
56	34201493A	1	Garde protectrice arrière

FR

