

greenworks *pro*

EN	WORK LIGHT	OPERATOR MANUAL
FR	LAMPE DE TRAVAIL	MANUEL D'OPÉRATEUR
ES	LUZ DE TRABAJO	MANUAL DEL OPERADOR



WL80B00
WLB502

www.greenworkstools.com

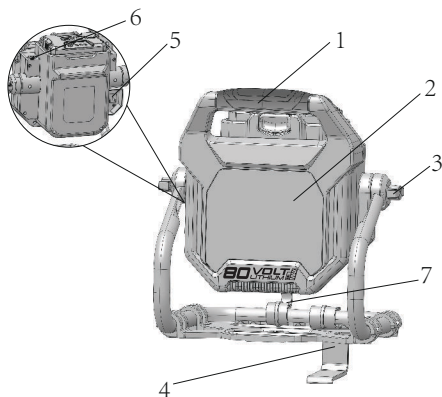
1	Description.....	4	8	Installation.....	7
1.1	Purpose.....	4	8.1	Unpack the machine.....	7
1.2	Overview.....	4	8.2	Install the battery pack.....	7
1.3	Packing list.....	4	8.3	Remove the battery pack.....	7
2	General power tool safety		8.4	Install the light head.....	8
	warnings.....	4	8.5	Remove the light head.....	8
2.1	General power tool safety warnings.....	4	9	Operation.....	8
2.2	Electrical safety.....	4	9.1	Start the machine.....	8
2.3	Extension cords.....	4	9.2	Stop the machine.....	8
2.4	Power tool use and care.....	5	9.3	Swivel the light head.....	9
2.5	Battery tool use and care.....	5	10	Maintenance.....	9
2.6	Service.....	5	10.1	Clean the machine.....	9
3	Symbols on the product.....	5	11	Technical data.....	9
4	Risk levels.....	6	12	Limited warranty.....	9
5	Child safety.....	6	13	Exploded view.....	10
6	Proposition 65.....	6			
7	Environmentally safe battery				
	disposal.....	6			

1 DESCRIPTION

1.1 PURPOSE

The machine is used to illuminate the work area.

1.2 OVERVIEW



- | | | | |
|---|------------------|---|---------------|
| 1 | Auxiliary handle | 5 | Plug |
| 2 | Lens | 6 | ON/OFF switch |
| 3 | Knob | 7 | S Hook |
| 4 | Hook | | |

1.3 PACKING LIST

- | | | | |
|----|------------|----|--------|
| 1. | Work light | 3. | S Hook |
| 2. | Hook | 4. | Manual |

2 GENERAL POWER TOOL SAFETY WARNINGS

▲ WARNING

Read all safety warnings and all instructions. Failure to follow the warnings and instructions may result in electric shock, fire and/or serious injury.

Save all warnings and instructions for future reference.

The term "power tool" in the warnings refers to your mains-operated (corded) power tool or battery-operated (cordless) power tool.

2.1 GENERAL POWER TOOL SAFETY WARNINGS

- Verify that the power tool is secure while transporting.
- Store the power tool in a dry area that will prevent unauthorized use or damage. Keep out of the reach of children.

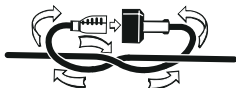
- Keep handles dry, clean, and free of debris. Clean the power tool after each use. Refer to the Maintenance Section in this manual for more information.
- Keep these instructions in a safe place for future reference. Refer to them often and use them to instruct other users. Anyone who uses this power tool must read these instructions carefully.
- Maintain the power tool with care. Follow the instructions for lubricating and changing accessories.

2.2 ELECTRICAL SAFETY

- To disconnect, turn all controls to the off ("O") position, then remove plug from outlet.
- Do not unplug by pulling on cord. To unplug, grasp the plug, not the cord.
- Unplug from outlet when not in use and before servicing or cleaning.
- Do not operate any product with a damaged cord or plug, or after the product malfunctions or is dropped or damaged in any manner. Return product to the nearest authorized service facility for examination, repair, or electrical or mechanical adjustment.
- Don't Abuse Cord – Never carry product by cord or yank it to disconnect from receptacle. Keep cord away from heat, oil, and sharp edges.
- Disconnect the product from the power supply when not in use, before servicing, when changing bulbs (lamp), cleaning, and similar actions.
- When using a power tool at a considerable distance from a power source, be sure to use an extension cord that has the capacity to handle the current the product will draw. An undersized cord will cause a drop in line voltage, resulting in overheating and loss of power. Use the chart to determine the minimum wire size required in an extension cord. Only round jacketed cords listed by Underwriter's Laboratories (UL) should be used.
- Do not insert foreign objects into this product.

2.3 EXTENSION CORDS

- Use only extension cords which have plugs and receptacles which accept the product's plug. Replace damaged extension cords.
- When working outdoors with a product, use an extension cord that is designed for outside use. This type of cord is designated with "W-A" or "W" on the cord's jacket. Before using any extension cord, inspect it for loose or exposed wires and cut or worn insulation.
- Make sure your extension cord is in good condition. When using an extension cord, be sure to use one heavy enough to carry the current your product will draw. An undersized extension cord will cause a drop in line voltage resulting in loss of power and overheating. The table on the next page shows the correct size to use depending on cord length and nameplate ampere rating. If in doubt, use the next heavier gauge. The smaller the gauge number, the heavier the cord.



Minimum Gauge for Extension Cords (AWG)

(when using 120 V only)

Amp Rating		Total Length of Cord in Feet (meters)			
More Than	Not More Than	25' (7.6 m)	50' (15 m)	100' (30 m)	150' (45m)
0	6	18	16	16	14
6	10	18	16	14	12
10	12	16	16	14	12
12	16	14	12	Not Recommended	

Keep the extension cord clear of the working area. Position the cord so that it will not get caught on lumber, tools, or other obstructions while you are working with a power tool. Failure to do so can result in serious personal injury.

Check extension cords before each use. If damaged replace immediately. Never use the product with a damaged cord since touching the damaged area could cause electrical shock resulting in serious injury.

2.4 POWER TOOL USE AND CARE

- If operating a product in a damp location is unavoidable, then the product should only be connected to a circuit that is protected by a ground-fault circuit-interrupter (GFCI). Use of a GFCI reduces the risk of electric shock.
- Store product indoors when not in use.
- Keep out of reach of children.
- Do not clean this product with a water spray or the like. Follow manufacturers cleaning instructions.
- Avoid direct eye exposure. Do not direct the light beam at persons or animals and do not stare into the light beam yourself (not even from a distance). The work light can cause flash blindness.
- Do not use the work light in road traffic. The cordless work light is not approved for illumination in road traffic.
- The lens gets very hot during use. To reduce the risk of burns, do not touch hot lens. Only use power extension cord set with NEMA 5-15R receptacle and NEMA 5-15P plug.

2.5 BATTERY TOOL USE AND CARE

- Disconnect the battery pack from the work light before making any adjustments, changing accessories, or storing power tools, etc.

- Do not permit children to use the work light; it is not a toy. Children can unintentionally blind themselves or other persons.
- Recharge only with the battery charger specified by the manufacturer. A battery charger that is suitable for one type of battery pack may create a risk of fire when used with another battery pack.
- Use only with specifically designated battery packs. Use of any other battery packs may create a risk of injury and fire.
- When battery pack is not in use, keep it away from other metal objects like paper clips, coins, keys, nails, screws, or other small metal objects, that can make a connection from one terminal to another. Shorting the battery terminals together may cause burns or a fire.
- The battery can be damaged by pointed objects such as nails or screwdrivers or by force applied externally. An internal short circuit can occur and the battery can burn, smoke, explode or overheat.
- Under abusive conditions, liquid may be ejected from the battery; avoid contact. If contact accidentally occurs, flush with water. If liquid contacts eyes, additionally seek medical help. Liquid ejected from the battery may cause irritation or burns.
- Battery disposal should be in compliance with the local regulations that address the disposal of hazardous materials. Do not incinerate battery pack.




2.6 SERVICE

- **Have your power tool serviced by a qualified repair person using only identical replacement parts.** *This will ensure that the safety of the power tool is maintained.*
- **Never service damaged battery packs.** *Service of battery packs should only be performed by the manufacturer or authorized service providers.*

3 SYMBOLS ON THE PRODUCT




Some of the following symbols may be used on this tool. Please study them and learn their meaning. Proper interpretation of these symbols will allow you to operate the tool better and safer.

Symbol	Explanation
V	Voltage
A	Current
Hz	Frequency (cycles per second)
Wh	Energy Storage Capacity
Ah	Current Capacity
Lm	Lumen
~	Alternating Current
— — —	Direct current

Symbol	Explanation
	Safety alert
	Read and understand all instructions before operating the product, and follow all warnings and safety instructions.
	Do not expose the product to rain or moist conditions.

4 RISK LEVELS

The following signal words and meanings are intended to explain the levels of risk associated with this product.

SYMBOL	SIGNAL	MEANING
	DANGER	Indicates an imminently hazardous situation, which, if not avoided, will result in death or serious injury.
	WARNING	Indicates a potentially hazardous situation, which, if not avoided, could result in death or serious injury.
	CAUTION	Indicates a potentially hazardous situation, which, if not avoided, may result in minor or moderate injury.
	CAUTION	(Without Safety Alert Symbol) Indicates a situation that may result in property damage.

5 CHILD SAFETY

Tragic accidents can occur if the operator is not aware of the presence of children.

- Keep children out of the working area and under the watchful care of a responsible adult.
- Do not allow children under the age of 14 to operate this machine. Children who are 14 years of age and older must read and understand the operating instructions and safety rules in this manual and must be trained and supervised by a parent.
- Stay alert, and turn the machine off if a child or any other person enters the working area.
- Use extreme care when approaching blind corners, doorways, shrubs, trees, or other objects that may obscure your view of a child who may run into the path of the machine.

6 PROPOSITION 65

▲ WARNING

This product contains a chemical known to the state of California to cause cancer, birth defects or other reproductive harm. Some dust created by power sanding, sawing, grinding, drilling, and other construction activities contains chemicals known to cause cancer, birth defects or other reproductive harm. Some examples of these chemicals are:

- Lead from lead-based paints;
- Crystalline silica from bricks and cement and other masonry products;
- Arsenic and chromium from chemically treated lumber.

Your risk of exposure to these chemicals varies depending on how often you do this type of work. To reduce your exposure to these chemicals, work in a well-ventilated area, and work with approved safety equipment, such as dust masks that are specially designed to filter out microscopic particles.

Save these instructions.

7 ENVIRONMENTALLY SAFE BATTERY DISPOSAL



The toxic and corrosive materials below are in the batteries used in this machine: **Lithium-Ion, a toxic material.**

▲ WARNING

Discard all toxic materials in a specified manner to prevent contamination of the environment. Before discarding damaged or worn out Li-ion battery, contact your local waste disposal agency, or the local Environmental Protection Agency for information and specific instructions. Take the batteries to a local recycling and/or disposal center, certified for lithium-ion disposal.

▲ WARNING

If the battery pack cracks or breaks, with or without leaks, do not recharge it and do not use. Discard it and replace with a new battery pack. **DO NOT TRY TO REPAIR IT!** To prevent injury and risk of fire, explosion, or electric shock, and to avoid damage to the environment:

- Cover the terminals of the battery with heavy-duty adhesive tape.
- **DO NOT** try to remove or destroy any of the battery pack components.
- **DO NOT** try to open the battery pack.
- If a leak develops, the released electrolytes are corrosive and toxic. **DO NOT** get the solution in the eyes or on skin, and do not swallow it.
- **DO NOT** put these batteries in your regular household trash.
- **DO NOT** incinerate.
- **DO NOT** put them where they will become part of any waste landfill or municipal solid waste stream.
- Take them to a certified recycling or disposal center.

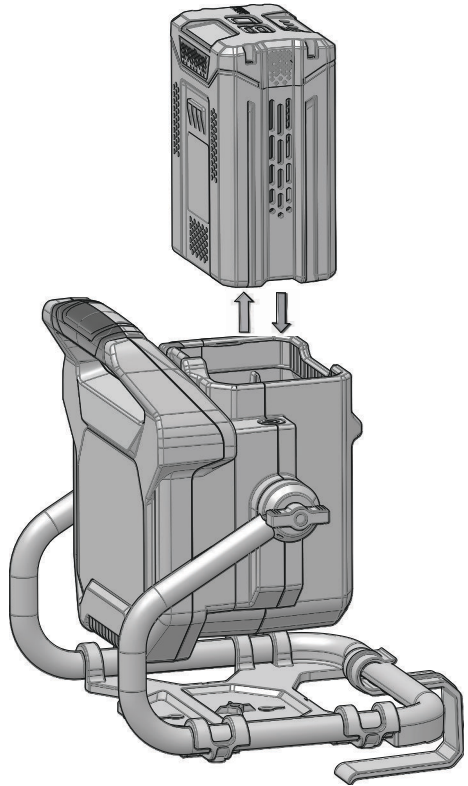
8 INSTALLATION**8.1 UNPACK THE MACHINE****▲ WARNING**

Make sure that you correctly assemble the machine before use.

▲ WARNING

- If parts of the machine are damaged, do not use the machine.
- If you do not have all the parts, do not operate the machine.
- If parts are damaged or missing, contact the service center.

1. Open the package.
2. Read the documentation provided in the box.
3. Remove all the unassembled parts from the box.
4. Remove the machine from the box.
5. Discard the box and packing material in compliance with local regulations.

8.2 INSTALL THE BATTERY PACK**▲ WARNING**

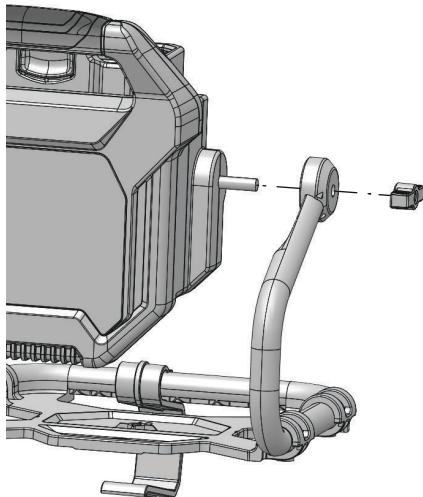
- If the battery pack or charger is damaged, replace the battery pack or the charger.
- Stop the machine and wait until the motor stops before you install or remove the battery pack.
- Read, know, and do the instructions in the battery and charger manual.

1. Align the lift ribs on the battery pack with the grooves in the battery compartment.
2. Push the battery pack into the battery compartment until the battery pack locks into place.
3. When you hear a click, the battery pack is installed.

8.3 REMOVE THE BATTERY PACK

1. Push and hold the battery release button.
2. Remove the battery pack from the machine.

8.4 INSTALL THE LIGHT HEAD



▲ WARNING

- Battery tools are always in operating condition. Therefore, always turn off the light when the light is not in use or when carrying the machine at your side.

1. Align the bolt the hole (on the bracket).
2. Insert the bolt into the hole until it kocks into place and then tighten them with knobs.
3. Do the same operation on the other side.

8.5 REMOVE THE LIGHT HEAD

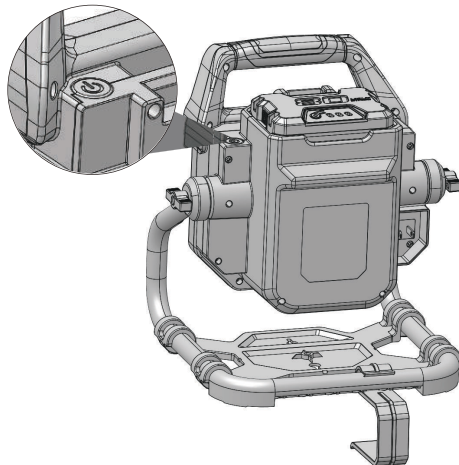
1. Unlock the right and left knobs.
2. Remove the bolts.

9 OPERATION

▲ WARNING

Do not use any attachments or accessories not recommended by the manufacturer of this product.

9.1 START THE MACHINE



1. Install the battery pack or connect the power source.
2. Press the ON/OFF switch to turn the machine on. The machine will be turned on at maximum brightness.
3. To reduce the brightness, press the ON/OFF switch again.

Low voltage operation

When the battery pack is less than 5%, the machine will flash three times with a brightness of 500 lumens.

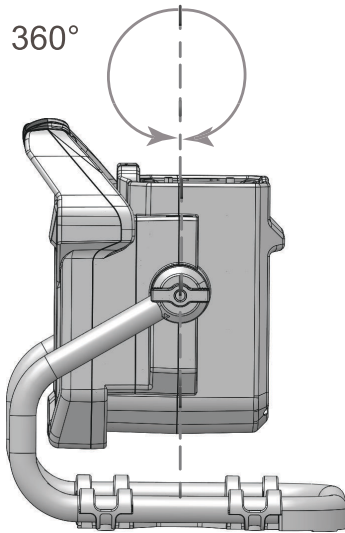
▲ WARNING

- Do not continue to press the ON/OFF switch after the machine has automatically switched off. The battery can be damaged.

9.2 STOP THE MACHINE

1. Press the ON/OFF switch to turn the machine off.

9.3 SWIVEL THE LIGHT HEAD



1. Hold the auxiliary handle and unlock the right and left knobs.
2. Turn the light head to the necessary position.
3. Tighten the knobs.

10 MAINTENANCE

▲ WARNING

Remove the battery pack from the machine before maintenance.

▲ WARNING

Do not use strong solvents or detergents on the plastic housing or components.

10.1 CLEAN THE MACHINE

▲ CAUTION

The machine must be dry. Humidity can cause risks of electrical shocks.

- Clear the unwanted material out of the air vent with a vacuum cleaner.
- Do not spray the air vent or put the air vent in solvents.
- Clean the housing and the plastic components with a moist and soft cloth.

11 TECHNICAL DATA

Voltage	80 V
Lumens	2500 lm
Run time (when used with 80V 2ah battery)	Up to 5.5 hours (high) Up to 11 hours (low)
Rotation angle	360°
Weight without battery	4.4 lbs (2 kg)
Weight with 80V 2ah battery	8.05 lbs (3.65 kg)
Battery model	2901302 and other BAB series
Charger model	CAB801 and other CAB series

The recommended ambient temperature range:

Item	Temperature
Appliance storage temperature range	32°F (0°C) - 158°F (70°C)
Appliance operation temperature range	32°F (0°C) - 104°F (40°C)
Battery charging temperature range	39°F (4°C) - 104°F (40°C)
Charger operation temperature range	39°F (4°C) - 104°F (40°C)
Battery storage temperature range	32°F (0°C) - 73°F (23°C)
Battery discharging temperature range	32°F (0°C) - 113°F (45°C)

12 LIMITED WARRANTY



Greenworks hereby warrants this product, to the original purchaser with proof of purchase, for a period of four (4) years against defects in materials, parts or workmanship. Greenworks, at its own discretion will repair or replace any and all parts found to be defective, through normal use, free of charge to the customer. This warranty is valid only for units which have been used for personal use that have not been hired or rented for industrial/commercial use, and that have been maintained in accordance with the instructions in the owners' manual supplied with the product from new.

ITEMS NOT COVERED BY WARRANTY:

1. Any part that has become inoperative due to misuse, commercial use, abuse, neglect, accident, improper maintenance, or alteration; or
2. The unit, if it has not been operated and/or maintained in accordance with the owner's manual; or
3. Normal wear, except as noted below;
4. Routine maintenance items such as lubricants, blade sharpening;
5. Normal deterioration of the exterior finish due to use or exposure.

HELPLINE:

Warranty service is available by calling our toll-free helpline, at 1-855-345-3934.

TRANSPORTATION CHARGES:

Transportation charges for the movement of any power equipment unit or attachment are the responsibility of the purchaser. It is the purchaser's responsibility to pay transportation charges for any part submitted for replacement under this warranty unless such return is requested in writing by Greenworks.

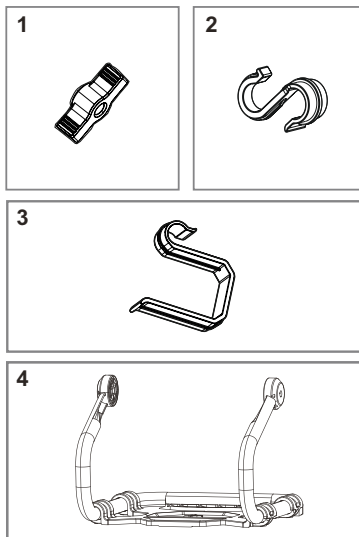
USA address:

Greenworks Tools
P.O. Box 1238
Mooresville, NC 28115

Canadian address:

Greenworks Tools Canada Inc.
P.O. Box 93095, Newmarket,
Ontario
L3Y 8K3

13 EXPLODED VIEW



No.	Item No.	QTY	Description
1.	R0201158-00	2	Knob
2.	R0201156-00	1	S Hook
3.	R0201157-00	1	Hook
4.	R0201155-00	1	Bracket

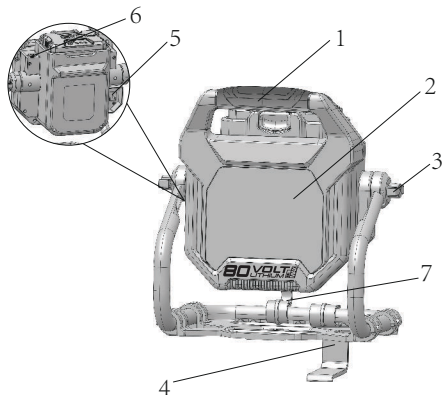
1	Description.....	12	7	Élimination des batteries sans danger pour l'environnement.....	15
1.1	But.....	12	8	Installation.....	15
1.2	APERÇU.....	12	8.1	Déballer la machine.....	15
1.3	Liste du contenu de l'emballage.....	12	8.2	Installez le bloc-batterie.....	16
2	Avertissements généraux de sécurité des outils électriques.....	12	8.3	Retirez la batterie.....	16
2.1	Avertissements généraux de sécurité des outils électriques.....	12	8.4	Installez la tête d'éclairage.....	16
2.2	Sécurité électrique.....	12	8.5	Retirez la tête d'éclairage.....	16
2.3	Rallonges électriques.....	12	9	Utilisation.....	16
2.4	Utilisation et entretien des outils électriques... 13		9.1	Démarrez la machine.....	17
2.5	Utilisation et entretien de l'outil sur batterie... 13		9.2	Arrêtez la machine.....	17
2.6	Service.....	14	9.3	Faites pivoter la tête d'éclairage.....	17
3	Symboles figurant sur la machine. 14		10	Entretien.....	17
4	Niveaux de risques.....	14	10.1	Nettoyez la machine.....	17
5	Sécurité des enfants.....	14	11	Données techniques.....	18
6	Proposition 65.....	15	12	Garantie limitée.....	18
			13	Vue éclatées.....	19

1 DESCRIPTION

1.1 BUT

Cet appareil sert à éclairer les zones de travail.

1.2 APERÇU



- | | |
|----------------------|----------------|
| 1 Poignée auxiliaire | 5 Prise |
| 2 Lentilles | 6 Interrupteur |
| 3 Bouton | MARCHE/ARRÊT |
| 4 Crochet | 7 S Crochet |

1.3 LISTE DU CONTENU DE L'EMBALLAGE

- | | |
|---------------------|--------------|
| 1. Lampe de travail | 3. S Crochet |
| 2. Crochet | 4. Manuel |

2 AVERTISSEMENTS GÉNÉRAUX DE SÉCURITÉ DES OUTILS ÉLECTRIQUES

▲ AVERTISSEMENT

Lisez tous les avertissements de sécurité et toutes les instructions. Le non-respect de ces avertissements et de ces instructions peut entraîner un choc électrique, un incendie et/ou des blessures graves.

Conservez tous les avertissements et instructions pour référence ultérieure.

Le terme « outil électrique » dans les avertissements se réfère à votre outil électrique alimenté (avec fil) ou à votre outil électrique (sans fil) fonctionnant sur BATTERIE.

2.1 AVERTISSEMENTS GÉNÉRAUX DE SÉCURITÉ DES OUTILS ÉLECTRIQUES

- Vérifiez que l'outil électrique est sécurisé pendant le transport.
- Rangez l'outil électrique dans un endroit sec afin d'éviter toute utilisation non autorisée ou tout dommage. Gardez hors de la portée des enfants.
- Gardez les poignées sèches, propres et exemptes de débris. Nettoyez l'outil électrique après chaque utilisation. Reportez-vous à la section Entretien de ce manuel pour obtenir plus de renseignements.
- Conservez ces instructions dans un endroit sûr pour référence future. Consultez-les souvent et utilisez-les pour informer d'autres utilisateurs. Quiconque utilise cet outil électrique doit lire attentivement ces instructions.
- Entretenez soigneusement l'outil électrique. Suivez les instructions pour lubrifier et changer les accessoires.

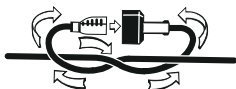
2.2 SÉCURITÉ ÉLECTRIQUE

- Pour déconnecter, mettez toutes les commandes en position d'arrêt (« O »), puis retirez la fiche de la prise.
- Ne débranchez pas en tirant sur le cordon. Pour débrancher, tirez sur la prise, et non pas le cordon.
- Débranchez-le de la prise lorsqu'il n'est pas utilisé et avant l'entretien ou le nettoyage.
- N'utilisez aucun produit dont la fiche (le cordon ou) est endommagée, ou après que le produit a mal fonctionné ou est tombé ou endommagé de quelque manière que ce soit. Retournez le produit au centre de service agréé le plus proche pour examen, réparation ou réglage électrique ou mécanique.
- N'abusez pas le cordon - ne transportez jamais le produit par le cordon ou l'arracher pour se déconnecter de la prise. Éloignez le cordon à l'écart de la chaleur, de l'huile et des bords tranchants.
- Débranchez le produit de l'alimentation lorsqu'il n'est pas utilisé, avant l'entretien, lors du remplacement des ampoules (lampe), du nettoyage et des actions similaires.
- Lorsque vous utilisez un outil électrique à une distance considérable d'une source d'alimentation, assurez-vous d'utiliser une rallonge électrique capable de supporter le courant que le produit consommera. Un cordon d'alimentation trop petit provoquera une chute de la tension secteur, ce qui entraînera une surchauffe et une perte de puissance. Utilisez le tableau pour déterminer la taille minimale de fil requise pour une rallonge électrique. Seuls les cordons à gaine ronde homologués par les Underwriter's Laboratories (UL) doivent être utilisés.
- N'insérez pas d'objets étrangers dans ce produit.

2.3 RALLONGES ÉLECTRIQUES

- Utilisez uniquement des rallonges dotées de fiches et de prises acceptant la fiche du produit. Remplacez les rallonges endommagées.

- Lorsque vous travaillez à l'extérieur avec un produit, utilisez une rallonge électrique conçue pour un usage extérieur. Ce type de cordon est désigné par la mention « W-A » ou « W » sur la gaine du cordon. Avant d'utiliser une rallonge électrique, vérifiez qu'il n'y a pas de fils détachés ou exposés et qu'il n'y a pas d'isolant coupé ou usé.
- Assurez-vous que votre rallonge est en bon état. Lorsque vous utilisez une rallonge électrique, assurez-vous d'en utiliser une assez lourde pour supporter le courant que votre produit consommera. Un cordon d'alimentation trop petit provoquera une chute de la tension secteur, ce qui entraînera une perte de puissance et une surchauffe. Le tableau de la page suivante indique la taille correcte à utiliser en fonction de la longueur du cordon et de l'intensité nominale de la plaque signalétique. En cas de doute, utilisez la jauge d'une épaisseur supérieure suivante. Plus le numéro de calibre est petit, plus le cordon est épais.



Jauge minimale pour rallonges (AWG)

(en cas d'utilisation de 120 V uniquement)

Plus de	Capacité nominale	Longueur totale du cordon en mètres (pieds)			
		7,6 m (25')	15 m (50')	30 m (100')	45 m (150')
0	6	18	16	16	14
6	10	18	16	14	12
10	12	16	16	14	12
12	16	14	12	Pas recommandé	

Gardez la rallonge électrique à l'écart de la zone de travail. Placez le cordon de manière à ce qu'il ne se coince pas dans le bois, les outils ou d'autres obstructions lorsque vous travaillez avec un outil électrique. Le non-respect de cette consigne peut entraîner des blessures corporelles.

Vérifiez les rallonges électriques avant chaque utilisation. S'il est endommagé, remplacez-le immédiatement. N'utilisez jamais l'appareil si le cordon d'alimentation est endommagé, car tout contact avec la zone endommagée pourrait provoquer un choc électrique et entraîner des blessures graves.

2.4 UTILISATION ET ENTRETIEN DES OUTILS ÉLECTRIQUES

- Si le fonctionnement d'un produit dans un endroit humide est inévitable, le produit ne doit être connecté qu'à un circuit protégé par un disjoncteur différentiel de fuite à la

terre (DDFT). L'utilisation d'un DDFT réduit le risque de choc électrique.

- Stockez le produit à l'intérieur lorsqu'il n'est pas utilisé.
- Gardez hors de la portée des enfants.
- Ne nettoyez pas ce produit avec un jet d'eau ou similaire. Suivez les instructions de nettoyage du fabricant.
- Évitez l'exposition directe des yeux. Ne dirigez pas le faisceau lumineux vers des personnes ou des animaux et ne fixez pas le faisceau lumineux vous-même (même pas à distance). La lampe de travail peut provoquer la cécité du flash.
- N'utilisez pas la lampe de travail dans la circulation routière. La lampe de travail sans fil n'est pas approuvée pour l'éclairage dans la circulation routière.
- La lentille devient très chaude pendant l'utilisation. Pour réduire le risque de brûlures, ne touchez pas la lentille chaude. N'utilisez qu'un jeu de rallonges électriques avec une prise NEMA 5-15R et une fiche NEMA 5-15P.

2.5 UTILISATION ET ENTRETIEN DE L'OUTIL SUR BATTERIE






- Débranchez la batterie de la lampe de travail avant d'effectuer des réglages, de changer d'accessoires ou de ranger des outils électriques, etc.
- Ne laissez pas les enfants utiliser la lampe de travail; ce n'est pas un jouet. Les enfants peuvent involontairement aveugler eux-mêmes ou d'autres personnes.
- Rechargez uniquement avec le chargeur de batterie spécifié par le fabricant. Un chargeur de batterie adapté à un type de batterie peut créer un risque d'incendie lorsqu'il est utilisé avec une autre batterie.
- Utilisez uniquement avec des blocs-batteries spécifiquement désignés. L'utilisation de tous autres bloc-batteries peut créer un risque de blessure et d'incendie.
- Lorsque le bloc-batterie n'est pas utilisé, éloignez-le des autres objets métalliques, comme des attaches trombones, des pièces de monnaie, des clés, des clous, des vis ou autres petits objets métalliques qui peuvent établir une connexion d'une borne à une autre. Le court-circuitage des bornes de la batterie peut provoquer des brûlures ou un incendie.
- La batterie peut être endommagée par des objets pointus, comme des clous ou des tournevis ou par une force appliquée à l'extérieur. Un court-circuit interne peut se produire et la batterie peut brûler, fumer, exploser ou surchauffer.
- Dans des conditions abusives, du liquide peut être éjecté de la batterie ; évitez tout contact. En cas de contact accidentel, rincez avec de l'eau. En cas de contact avec les yeux, consultez également un médecin. Le liquide s'échappant des batteries peut causer des irritations ou des brûlures.
- L'élimination des batteries doit être conforme aux réglementations locales concernant l'élimination des matières dangereuses et ne pas incinérer la batterie.

2.6 SERVICE

- **Faites effectuer l'entretien de votre outil électrique par un réparateur qualifié en n'utilisant que des pièces de rechange identiques.** *Cela garantira le maintien de la sécurité de l'outil électrique.*
- **Ne réparez jamais un bloc-batterie endommagé.** *L'entretien d'un bloc-batterie ne doit être effectué que par le fabricant ou des fournisseurs de service agréés.*


3 SYMBOLES FIGURANT SUR LA MACHINE



Certains des symboles suivants peuvent être utilisés sur cet outil. Veuillez les étudier et apprendre leur signification. Une bonne interprétation de ces symboles vous permettra de mieux utiliser l'outil et de manière plus sécuritaire.

Symbole	Explication
V	Voltage
A	Courant
Hz	Fréquence (cycles par seconde)
Wh	Capacité de stockage d'énergie
Ah	Capacité actuelle
Lm	Lumen
	Courant alternatif
	Courant direct
	Alerte de sécurité
	Lisez et comprenez toutes les instructions avant d'utiliser cette machine, et suivez tous les avertissements et les consignes de sécurité.
	Ne pas exposer la machine à la pluie ou à l'humidité.

4 NIVEAUX DE RISQUES

Les termes de mise en garde suivants et leur signification ont pour but d'expliquer les niveaux de risques associés à l'utilisation de ce produit.

SYM-BOLE	SIGNAL	SIGNIFICATION
	DANGER	Indique une situation dangereuse imminente qui, si elle n'est pas évitée, peut entraîner la mort ou des blessures graves.

SYM-BOLE	SIGNAL	SIGNIFICATION
	AVERTISSEMENT	Indique une situation potentiellement dangereuse qui, si elle n'est pas évitée, peut entraîner la mort ou des blessures graves.
	MISE EN GARDE	Indique une situation potentiellement dangereuse qui, si elle n'est pas évitée, pourrait causer des blessures mineures ou modérées.
	MISE EN GARDE	(Sans symbole d'alerte de sécurité) indique une situation pouvant entraîner des dommages matériels.

5 SÉCURITÉ DES ENFANTS

Des accidents tragiques peuvent se produire si l'opérateur n'est pas au courant de la présence des enfants.

- Éloignez les enfants de la zone de travail et placez-les sous la surveillance d'un adulte responsable.
- Ne laissez pas un enfant de moins de 14 ans utiliser cette machine. Les enfants de 14 ans et plus doivent lire et comprendre les instructions d'utilisation et les règles de sécurité contenues dans ce manuel et doivent être formés et supervisés par un parent.
- Restez vigilant et éteignez la machine si un enfant ou une autre personne entre dans la zone de travail.
- Soyez extrêmement prudent lorsque vous vous approchez d'un angle mort, d'une porte, d'un arbuste, d'un arbre ou de tout autre objet qui pourrait masquer la vue d'un enfant qui pourrait se heurter à la machine.

6 PROPOSITION 65

▲ AVERTISSEMENT

Ce produit contient un produit chimique connu dans l'état de Californie comme étant une cause de cancer, de malformations congénitales ou d'autres problèmes de reproduction. Certaines poussières produites par le ponçage mécanique, le sciage, le meulage, le perçage et d'autres activités de construction contiennent des produits chimiques connus pour causer le cancer, des malformations congénitales ou d'autres problèmes de reproduction. Voici quelques exemples de ces produits chimiques :

- Plomb provenant de peintures à base de plomb;
- Silice cristalline provenant de briques, de ciment et d'autres produits de maçonnerie;
- Arsenic et chrome provenant de bois traité chimiquement.

Votre risque d'exposition à ces produits chimiques varie selon la fréquence à laquelle vous faites ce type de travail. Pour réduire votre exposition à ces produits chimiques, travaillez dans un endroit bien ventilé et utilisez un équipement de sécurité approuvé, comme des masques anti-poussière spécialement conçus pour filtrer les particules microscopiques.

Conservez ces instructions.

7 ÉLIMINATION DES BATTERIES SANS DANGER POUR L'ENVIRONNEMENT



Les matières toxiques et corrosives ci-dessous se trouvent dans les batteries utilisées dans cette machine : **Lithium-ion, une substance toxique.**

▲ AVERTISSEMENT

Éliminez toutes les substances toxiques d'une manière spécifiée afin de prévenir la contamination de l'environnement. Avant de jeter une batterie au lithium-ion endommagée ou usée, contactez votre agence locale d'élimination des déchets ou l'agence locale de protection de l'environnement pour obtenir des informations et des instructions spécifiques. Apportez les batteries à un centre local de recyclage ou d'élimination certifié pour l'élimination de batteries au lithium-ion.

▲ AVERTISSEMENT

Si la batterie se fend ou se brise, avec ou sans fuites, ne la rechargez pas et ne l'utilisez pas. Jetez-la et remplacez-la par une nouvelle batterie. **N'ESSAYEZ PAS DE LA RÉPARER !** Pour prévenir les blessures et les risques d'incendie, d'explosion ou de décharge électrique, et pour éviter tout dommage à l'environnement :

- Couvrez les bornes de la batterie avec du ruban adhésif résistant.
- **NE PAS** essayer d'enlever ou de détruire les composants de la batterie.
- **NE PAS** essayer d'ouvrir ou de réparer la batterie.
- En cas de fuite, les électrolytes rejetés sont corrosifs et toxiques. **NE laissez PAS** entrer la solution dans les yeux ou en contact avec la peau et ne l'avalez pas.
- **NE PAS** jeter vos batteries usagées dans votre poubelle à ordures ménagères.
- **N'incinerez PAS** les batteries.
- **NE LES Mettez PAS** dans un endroit où ils feront partie d'un site d'enfouissement de déchets ou d'un flux de déchets solides municipaux.
- Emmenez-les dans un centre de recyclage ou d'élimination certifié.

8 INSTALLATION

8.1 DÉBALLER LA MACHINE

▲ AVERTISSEMENT

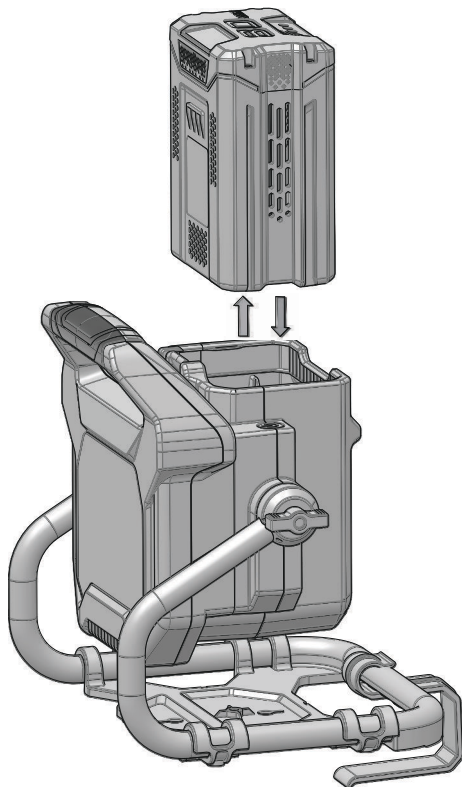
Assurez-vous d'assembler correctement la machine avant de l'utiliser.

▲ AVERTISSEMENT

- Si les pièces de la machine sont endommagées, ne l'utilisez pas.
- Si vous n'avez pas toutes les pièces, n'utilisez pas la machine.
- Si des pièces sont endommagées ou manquantes, communiquez avec le centre de service.

1. Ouvrez l'emballage.
2. Lisez la documentation contenue dans la boîte.
3. Retirez toutes les pièces non assemblées de la boîte.
4. Retirez la machine de sa boîte.
5. Jetez la boîte et l'emballage conformément aux règlements locaux.

8.2 INSTALLEZ LE BLOC-BATTERIE



▲ AVERTISSEMENT

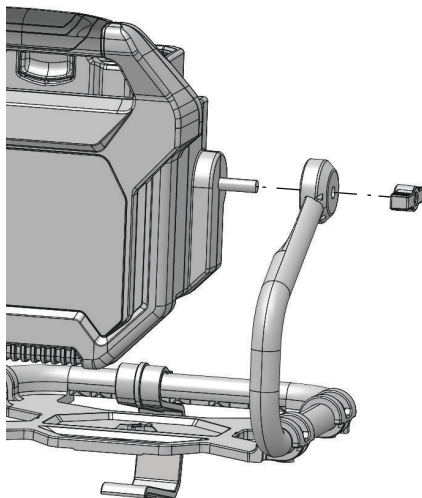
- Si le bloc-batterie ou le chargeur est endommagé, remplacez-le, au besoin.
- Arrêtez la machine et attendez que le moteur s'arrête avant d'installer ou de retirer le bloc-batterie.
- Lisez, comprenez et suivez les instructions du manuel du bloc-batterie et du chargeur.

1. Alignez les languettes du bloc-batterie avec les rainures du compartiment de batterie.
2. Poussez le bloc-batterie dans le compartiment de batterie jusqu'à ce qu'il soit bien encliqueté.
3. Vous devriez entendre un clic lorsque le bloc-batterie sera inséré correctement.

8.3 RETIREZ LA BATTERIE

1. Poussez et maintenez enfoncé le bouton de déblocage de la batterie.
2. Retirez la batterie de la machine.

8.4 INSTALLEZ LA TÊTE D'ÉCLAIRAGE



▲ AVERTISSEMENT

- Les outils à batterie sont toujours en état de fonctionnement. Par conséquent, éteignez toujours la lumière lorsqu'elle n'est pas utilisée ou lorsque vous transportez la machine à vos côtés.

1. Alignez le boulon sur le trou (sur le support).
2. Insérez le boulon dans le trou jusqu'à ce qu'il se bloque en place, puis serrez-les avec des boutons.
3. Faites la même opération sur l'autre côté.

8.5 RETIREZ LA TÊTE D'ÉCLAIRAGE

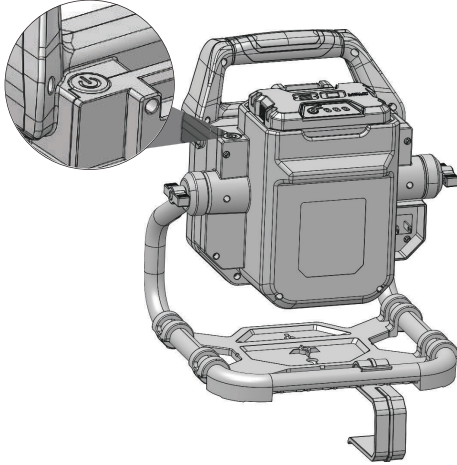
1. Déverrouillez les boutons droit et gauche.
2. Retirez les boutons.

9 UTILISATION

▲ AVERTISSEMENT

N'utilisez pas d'autres pièces ou d'accessoires non recommandés par le fabricant de ce produit.

9.1 DÉMARREZ LA MACHINE



1. Installez la batterie ou connectez la source d'alimentation.
2. Appuyez sur l'interrupteur ON / OFF pour allumer la machine. La machine sera allumée à une luminosité maximale.
3. Pour réduire la luminosité, appuyez à nouveau sur l'interrupteur MARCHE / ARRÊT.

Fonctionnement basse tension

Lorsque la batterie est inférieure à 5 %, la machine clignote trois fois avec une luminosité de 500 lumens.

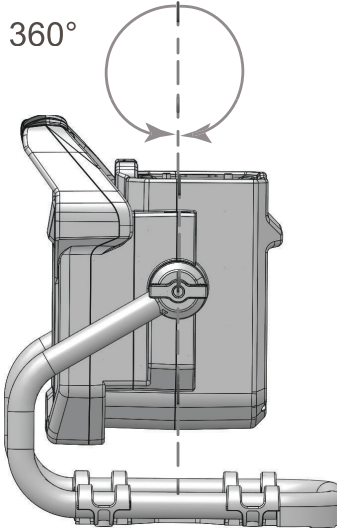
▲ AVERTISSEMENT

- Ne continuez pas à appuyer sur l'interrupteur MARCHE / ARRÊT après l'arrêt automatique de la machine. La batterie peut être endommagée.

9.2 ARRÊTEZ LA MACHINE

1. Appuyez sur l'interrupteur ON / OFF pour éteindre la machine.

9.3 FAITES PIVOTER LA TÊTE D'ÉCLAIRAGE



1. Tenez la poignée auxiliaire et déverrouillez les boutons droit et gauche.
2. Tournez la tête d'éclairage dans la position nécessaire.
3. Serrez les boutons.

10 ENTRETIEN

▲ AVERTISSEMENT

Retirez le bloc-batterie de la machine avant l'entretien.

▲ AVERTISSEMENT

N'utilisez pas de solvants ou de détergents puissants sur le boîtier ou les composants en plastique.

10.1 NETTOYEZ LA MACHINE

▲ ATTENTION

La machine doit être sèche. L'humidité peut provoquer des risques de chocs électriques.

- Enlevez les matières indésirables de l'évent d'air à l'aide d'un aspirateur.
- Ne vaporisez pas l'évent d'air et ne le plongez pas dans des solvants.
- Nettoyez le boîtier et les composants en plastique avec un chiffon doux et humide.

11 DONNÉES TECHNIQUES

Voltage	80 V
Lumens	2500 lm
Durée de fonctionnement (avec une batterie 80V 2 Ah)	Jusqu'à 5.5 heures (feux à puissance élevée) Jusqu'à 11 heures (feux à puissance faible)
Angle de rotation	360°
Poids sans batterie	4.4 lb (2 kg)
pooids avec batterie 80V 2ah	8.05 lbs (3.65 kg)
Batterie (modèle)	2901302 et autres séries BAB
Chargeur (modèle)	CAB801 et autres séries CAB

The recommended ambient temperature range:

Item	Temperature
Appliance storage temperature range	32°F (0°C) - 158°F (70°C)
Appliance operation temperature range	32°F (0°C) - 104°F (40°C)
Battery charging temperature range	39°F (4°C) - 104°F (40°C)
Charger operation temperature range	39°F (4°C) - 104°F (40°C)
Battery storage temperature range	32°F (0°C) - 73°F (23°C)
Battery discharging temperature range	32°F (0°C) - 113°F (45°C)

12 GARANTIE LIMITÉE



Greenworks garantit par la présente ce produit, à l'acheteur original avec preuve d'achat, pour une période de quatre (4) ans contre tout défaut de matériaux, de pièces ou de main-d'œuvre. Greenworks, à sa propre discrétion, réparera ou remplacera toutes les pièces défectueuses, dans des conditions normales d'utilisation, sans frais pour le client. Cette garantie n'est valable que pour les appareils qui ont été utilisés à des fins personnelles, qui n'ont pas été loués à des fins industrielles ou commerciales et qui ont été entretenus

conformément aux instructions du manuel du propriétaire fourni avec le produit neuf.

ARTICLES NON COUVERTS PAR LA GARANTIE :

1. Toute pièce qui est devenue inopérante en raison d'une mauvaise utilisation, d'une utilisation commerciale, d'un abus, d'une négligence, d'un accident, d'un entretien inapproprié ou d'une modification; ou
2. L'appareil, s'il n'a pas été utilisé et/ou entretenu conformément au manuel du propriétaire; ou
3. Usure normale, sauf comme indiqué ci-dessous;
4. Articles d'entretien courant tels que lubrifiants, affûtage des lames;
5. Détérioration normale du fini extérieur due à l'utilisation ou à l'exposition.

ASSISTANCE TÉLÉPHONIQUE :

Le service de garantie est disponible en appelant notre ligne d'assistance téléphonique sans frais, au 1-855-345-3934.

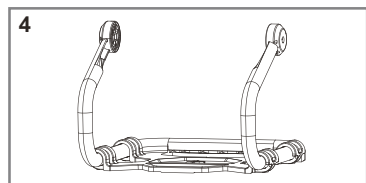
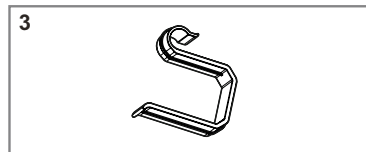
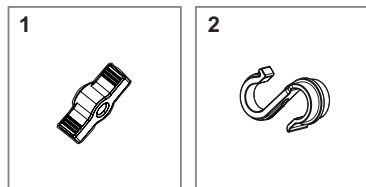
FRAIS DE TRANSPORT :

Les frais de transport pour le déplacement de tout équipement motorisé ou accessoire sont à la charge de l'acheteur. Il incombe à l'acheteur de payer les frais de transport pour toute pièce retournée pour remplacement en vertu de la présente garantie, à moins qu'un tel retour soit demandé par écrit par Greenworks.

Adresse aux États-Unis : Adresse au Canada :

Greenworks Tools	Greenworks Tools Canada Inc.
P.O. Box 1238	P.O. Box 93095, Newmarket,
	Ontario
Mooresville, NC 28115	L3Y 8K3

13 VUE ÉCLATÉES



No	No. de réf.	QTÉ	Description
1.	R0201158-00	2	Bouton
2.	R0201156-00	1	Crochet en S
3.	R0201157-00	1	Crochet
4.	R0201155-00	1	Support

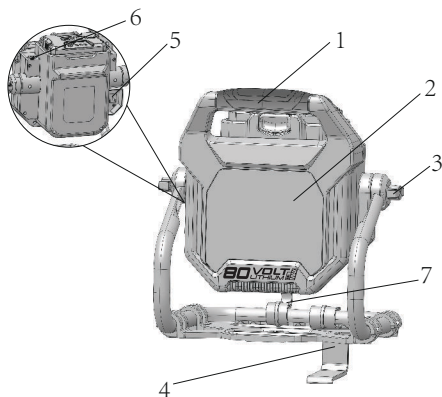
1	Descripción.....	21	6	Propuesta 65.....	24
1.1	Finalidad.....	21	7	Eliminación de batería segura para el medio ambiente.....	24
1.2	PERSPECTIVA GENERAL.....	21	8	Instalación.....	24
1.3	Lista de embalaje.....	21	8.1	Desembalaje de la máquina.....	24
2	Advertencias generales de seguridad para herramientas eléctricas.....	21	8.2	Instalación de la batería.....	25
2.1	Advertencias generales de seguridad para herramientas eléctricas.....	21	8.3	Retirada de la batería.....	25
2.2	Seguridad eléctrica.....	21	8.4	Instalación de la luz delantera.....	25
2.3	Cables alargadores.....	22	8.5	Retirada de la luz delantera.....	25
2.4	Utilización y cuidado de herramientas eléctricas.....	22	9	Funcionamiento.....	25
2.5	Utilización y cuidado de herramientas a batería.....	22	9.1	Puesta en marcha de la máquina.....	26
2.6	Servicio.....	23	9.2	Detención de la máquina.....	26
3	Símbolos en el producto.....	23	9.3	Inclinación de la luz delantera.....	26
4	Niveles de riesgo.....	23	10	Mantenimiento.....	26
5	Seguridad infantil.....	23	10.1	Limpieza de la máquina.....	26
			11	Datos técnicos.....	27
			12	Garantía limitada.....	27
			13	Vista despiezada.....	28

1 DESCRIPCIÓN

1.1 FINALIDAD

La máquina se utiliza para iluminar la zona de trabajo.

1.2 PERSPECTIVA GENERAL



- | | |
|----------------|------------------------------------|
| 1 Asa auxiliar | 5 Enchufe |
| 2 Lente | 6 Interruptor de encendido/apagado |
| 3 Mando | 7 S Gancho |
| 4 Gancho | |

1.3 LISTA DE EMBALAJE

- | | |
|-------------------|-------------|
| 1. Luz de trabajo | 3. S Gancho |
| 2. Gancho | 4. Manual |

2 ADVERTENCIAS GENERALES DE SEGURIDAD PARA HERRAMIENTAS ELÉCTRICAS

▲ AVISO

Lea todas las advertencias de seguridad y todas las instrucciones. El incumplimiento de las advertencias e instrucciones puede provocar descargas eléctricas, incendios o lesiones graves.

Guarde todas las advertencias e instrucciones para su consulta posterior.

El término "herramienta eléctrica" empleado en las advertencias se refiere a su herramienta eléctrica con funcionamiento de red (con cable) o herramienta eléctrica con funcionamiento a BATERÍA (inalámbrica).

2.1 ADVERTENCIAS GENERALES DE SEGURIDAD PARA HERRAMIENTAS ELÉCTRICAS

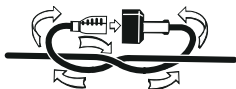
- Verifique que la herramienta eléctrica esté segura mientras se transporta.
- Guarde la herramienta eléctrica en un lugar seco para evitar su uso no autorizado o daños. Mantenga fuera del alcance de los niños.
- Mantenga las asas secas, limpias y sin restos de residuos. Limpie la herramienta eléctrica tras cada uso. Consulte la sección de mantenimiento de este manual para obtener más información.
- Guarde estas instrucciones en un lugar seguro para su consulta posterior. Consúltelas con frecuencia y utilícelas para instruir a otros usuarios. Toda persona que utilice esta herramienta eléctrica debe leer detenidamente estas instrucciones.
- Realice el mantenimiento de la herramienta eléctrica con cuidado. Siga las instrucciones para la lubricación y el cambio de accesorios.

2.2 SEGURIDAD ELÉCTRICA

- Para desconectar, sitúe todos los controles en la posición de apagado ("O"), posteriormente, retire el enchufe de la toma.
- No desenchufe tirando del cable. Para desenchufar, agarre el enchufe, no el cable.
- Desenchufe de la toma cuando no esté en uso y antes de realizar el mantenimiento o la limpieza.
- No utilice ningún producto con un enchufe (o cable) dañado, o después de que el producto se haya averiado, caído o dañado del modo que sea. Devuelva el producto al centro de servicio autorizado más cercano para su examen, reparación, ajuste eléctrico o mecánico.
- No maltrate el cable – Nunca transporte el producto por el cable ni tire de este para desconectar del enchufe. Mantenga el cable alejado del calor, el aceite y los bordes afilados.
- Desconecte el producto de la fuente de alimentación cuando no esté en uso, antes de realizar tareas de servicio, cuando cambie bombillas (lámpara), limpie y acciones similares.
- Cuando utilice una herramienta eléctrica a una distancia considerable de una fuente de alimentación, asegúrese de utilizar un cable alargador que tenga la capacidad de manejar la corriente que utilizará el producto. Un cable de tamaño insuficiente producirá una caída en la tensión de la línea, lo que a su vez generará sobrecalentamiento y pérdida de energía. Utilice el gráfico para determinar el tamaño mínimo de cable necesario en un cable alargador. Únicamente deben utilizarse cables redondos revestidos con certificación de Underwriter's Laboratories (UL).
- No introduzca objetos extraños en este producto.

2.3 CABLES ALARGADORES

- Utilice únicamente cables alargadores que tengan enchufes y tomas que acepten el enchufe del producto. Sustituya los cables alargadores dañados.
- Cuando trabaje en el exterior con un producto, utilice un cable alargador que se haya diseñado para uso en exterior. Este tipo de cable está designado "W-A" o "W" en el revestimiento del cable. Antes de utilizar cualquier cable alargador, inspeccione si hay hilos sueltos o expuestos y si el aislamiento está cortado o desgastado.
- Asegúrese de que su cable alargador esté en buenas condiciones. Cuando utilice un cable alargador, asegúrese de utilizar uno lo suficientemente pesado como para transportar la corriente que su producto consumirá. Un cable alargador de tamaño insuficiente producirá una caída en la tensión de línea, lo que a su vez generará pérdida de energía y sobrecalentamiento. La tabla de la siguiente página muestra el tamaño correcto a utilizar según la longitud del cable y el amperaje nominal de la placa de identificación. En caso de duda, utilice el siguiente calibre más pesado. Cuanto menor sea el número de calibre, más pesado es el cable.



Calibre mínimo para cables alargadores (AWG)

(únicamente cuando se utilizan 120 V)

Amperaje	Longitud total del cable en pies (metros)				
	Más de	No más de	25' (7,6 m)	50' (15 m)	100' (30 m)
0	6	18	16	16	14
6	10	18	16	14	12
10	12	16	16	14	12
12	16	14	12	No se recomienda	

Mantenga el cable alargador alejado de la superficie de trabajo. Coloque el cable de manera que no quede atrapado en madera, herramientas u otras obstrucciones mientras trabaja con una herramienta eléctrica. De no hacerlo podrían producirse lesiones personales graves.

Compruebe los cables alargadores antes de cada uso. En caso de daños sustituya inmediatamente. Nunca utilice el producto con un cable dañado, ya que si toca la zona dañada podría producirse una descarga eléctrica con las consiguientes lesiones graves.

2.4 UTILIZACIÓN Y CUIDADO DE HERRAMIENTAS ELÉCTRICAS

- Si es inevitable utilizar el producto en un lugar húmedo, entonces el producto solo debe conectarse a un circuito que esté protegido mediante un interruptor de circuito de fallo a tierra (GFCI). La utilización de un GFCI reduce el riesgo de descarga eléctrica.
- Guarde el producto en interior cuando no lo utilice.
- Mantenga fuera del alcance de los niños.
- No limpie este producto con un spray de agua o similar. Siga las instrucciones de limpieza del fabricante.
- Evite la exposición directa a los ojos. No dirija el haz de luz hacia personas o animales y no mire fijamente al haz de luz (ni siquiera a distancia). La luz de trabajo puede deslumbrar.
- No utilice la luz de trabajo al circular por carretera. La luz de trabajo inalámbrica no está homologada para la iluminación al circular por carretera.
- La lente se calienta mucho durante el uso. Para reducir el riesgo de quemaduras no toque la lente. Utilice únicamente el conjunto de cable alargador con receptáculo NEMA 5-15R y enchufe NEMA 5-15P.

2.5 UTILIZACIÓN Y CUIDADO DE HERRAMIENTAS A BATERÍA

- Desconecte la batería de la luz de trabajo antes de realizar ajustes, cambiar accesorios o almacenar herramientas eléctricas, etc.
- No permita que los niños utilicen la luz de trabajo; no es un juguete. Los niños pueden deslumbrarse accidentalmente a sí mismos o a otras personas.
- Recargue solo con el cargador de batería especificado por el fabricante. Un cargador de batería adecuado para un tipo de batería puede dar lugar a un riesgo de incendio cuando se usa con otra batería.
- Utilice únicamente con las baterías designadas específicamente. El uso de cualquier otra batería puede dar lugar a un riesgo de lesiones e incendio.
- Cuando la batería no esté en uso, manténgala alejada de otros objetos metálicos como clips, monedas, llaves, clavos, tornillos u otros objetos metálicos pequeños que puedan hacer una conexión entre los terminales. El cortocircuito de los terminales de la batería puede provocar quemaduras o un incendio.
- La batería puede resultar dañada por objetos puntiagudos como clavos o destornilladores o por fuerza aplicada externamente. Puede producirse un cortocircuito interno y la batería puede quemarse, echar humo, explotar o sobrecalentarse.
- Bajo condiciones abusivas, es posible que salga líquido despedido de la batería; evite el contacto. Si se produce un contacto accidental, aclare con agua. Si el líquido entra en contacto con los ojos, acuda también al médico. El líquido despedido de la batería puede provocar irritación o quemaduras.






- La eliminación de la batería debe cumplir con los reglamentos locales en materia de eliminación de materiales peligrosos; no debe incinerarse la batería.

2.6 SERVICIO

- **Solicite a un técnico de reparación cualificado que realice las tareas de servicio de su herramienta eléctrica utilizando únicamente piezas de repuesto idénticas.** *Esto garantizará el mantenimiento de la seguridad de la herramienta eléctrica.*
- **Nunca repare las baterías dañadas.** *La reparación de las baterías únicamente debe ser realizada por el fabricante o los proveedores de servicio técnico autorizados.*




3 SÍMBOLOS EN EL PRODUCTO

En esta herramienta pueden utilizarse algunos de los siguientes símbolos. Le rogamos que los estudie y aprenda su significado. La interpretación correcta de estos símbolos le permitirá manejar la herramienta mejor y de manera más segura.

Símbolo	Explicación
V	Tensión
A	Corriente
Hz	Frecuencia (ciclos por segundo)
Wh	Capacidad de almacenamiento de energía
Ah	Capacidad de corriente
Lm	Lumen
	Corriente alterna
	Corriente continua
	Alerta de seguridad
	Debe leer y entender todas las instrucciones antes de manejar el producto, así como seguir todas las advertencias e instrucciones de seguridad.
	No exponga el producto a la lluvia o a condiciones de humedad.

4 NIVELES DE RIESGO

Las siguientes indicaciones y significados tienen como fin explicar los niveles de riesgo asociados a este producto.

SÍMBOLO	INDICACIÓN	SIGNIFICADO
	PELIGRO	Indica una situación de peligro inminente que, de no evitarse, provocará lesiones graves o incluso la muerte.
	ADVERTENCIA	Indica una situación de peligro potencial que, de no evitarse, podría provocar lesiones graves o incluso la muerte.
	PRECAUCIÓN	Indica una situación de peligro potencial que, de no evitarse, puede provocar lesiones leves o moderadas.
	PRECAUCIÓN	(Sin símbolo de alerta sobre seguridad) Indica una situación que puede provocar daños materiales.

5 SEGURIDAD INFANTIL

Pueden producirse accidentes trágicos si el operario no es consciente de la presencia de niños.

- Mantenga a los niños fuera de la zona de trabajo y bajo la vigilancia de un adulto responsable.
- No permita que niños menores de 14 años utilicen esta máquina. Los niños de 14 años y mayores deben leer y entender las instrucciones de funcionamiento y las normas de seguridad que se encuentran en este manual y deben recibir formación y supervisión por parte de uno de sus progenitores.
- Manténgase alerta y apague la máquina si un niño o cualquier otra persona entra en la zona de trabajo.
- Tenga mucho cuidado al acercarse a esquinas ciegas, portales, arbustos, árboles u otros objetos que puedan ocultar su visión de un niño que pueda correr hacia el recorrido de la máquina.

6 PROPUESTA 65

▲ AVISO

Este producto contiene una sustancia química conocida en el estado de California como causante de cáncer, defectos de nacimiento u otros daños reproductivos. El polvo generado por el lijado eléctrico, el serrado, el esmerilado, la perforación y otras actividades de construcción contiene sustancias químicas que se sabe que son causantes de cáncer, defectos de nacimiento u otros daños reproductivos. Algunos ejemplos de estas sustancias químicas son:

- Plomo de pinturas con base de plomo;
- Sílice cristalina de ladrillos y cemento y otros productos de albañilería;
- Arsénico y cromo de la madera tratada químicamente.

El riesgo de exposición a estas sustancias químicas varía según la frecuencia con la que realice este tipo de trabajo. Para reducir su exposición a estas sustancias químicas, trabaje en una zona bien ventilada y trabaje con equipos de seguridad aprobados, como máscaras antipolvo, que estén especialmente diseñadas para filtrar partículas microscópicas.

Conserve estas instrucciones.

7 ELIMINACIÓN DE BATERÍA SEGURA PARA EL MEDIO AMBIENTE



Los materiales tóxicos y corrosivos que figuran a continuación se encuentran en las baterías utilizadas en esta máquina: **Ion de litio, un material tóxico.**

▲ AVISO

Deseche todos los materiales tóxicos de una manera especificada para evitar la contaminación del medio ambiente. Antes de desechar una batería de ion de litio dañada o agotada, contacte con la agencia local de eliminación de residuos o con la agencia de protección ambiental local para obtener información e instrucciones específicas. Lleve las baterías a un centro de reciclaje o eliminación local, certificado para la eliminación de ion de litio.

▲ AVISO

Si la batería se agrieta o se rompe, con o sin fugas, no la recargue ni la utilice. Deséchela y sustitúyala por una batería nueva. ¡NO INTENTE REPARARLA! Para evitar lesiones y riesgos de incendio, explosión o descarga eléctrica, y para evitar daños al medio ambiente:

- Cubra los terminales de la batería con cinta adhesiva resistente.
- NO intente retirar o destruir ninguno de los componentes de la batería.
- NO intente abrir la batería.
- Si se produce una fuga, los electrolitos liberados son corrosivos y tóxicos. NO deje que la solución entre en contacto con los ojos o la piel, y no la ingiera.
- NO deseche estas baterías con la basura doméstica normal.
- NO incinere.
- NO lleve las baterías a lugares donde formarán parte de vertederos de residuos o flujos de residuos sólidos urbanos.
- Llévelas a un centro de reciclaje o eliminación certificado.

8 INSTALACIÓN

8.1 DESEMBALAJE DE LA MÁQUINA

▲ AVISO

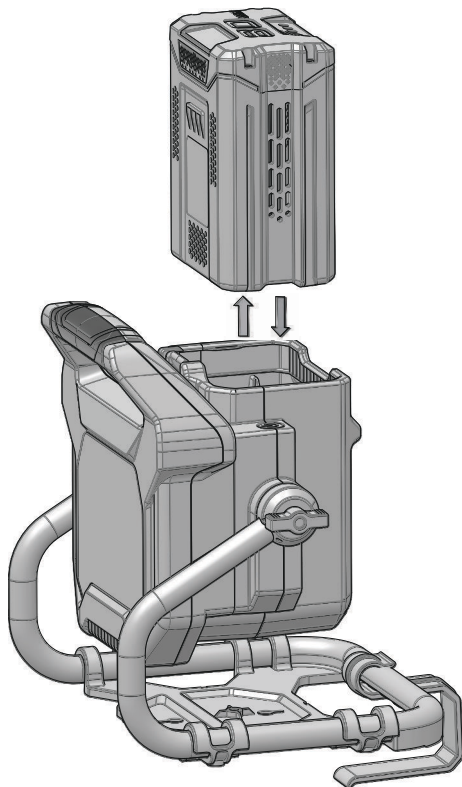
Asegúrese de montar correctamente la máquina antes del uso.

▲ AVISO

- Si las piezas de la máquina presentan daños, no utilice la máquina.
- Si no tiene todas las piezas, no utilice la máquina.
- Si faltan piezas o hay piezas dañadas, contacte con el centro de servicio.

1. Abra el embalaje.
2. Lea la documentación que se proporciona en la caja.
3. Retire todas las piezas sin montar de la caja.
4. Retire la máquina de la caja.
5. Deseche la caja y el material de embalaje de conformidad con los reglamentos locales.

8.2 INSTALACIÓN DE LA BATERÍA



▲ AVISO

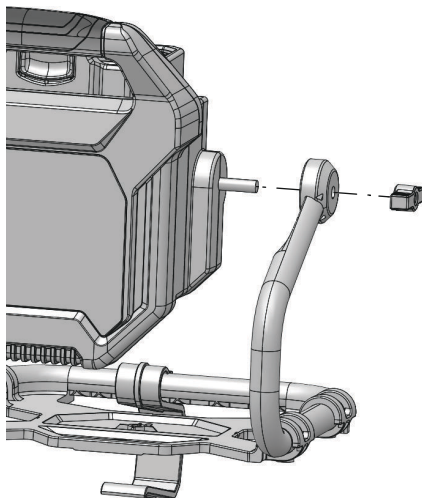
- Si la batería o el cargador ha sufrido daños, sustituya la batería o el cargador.
- Detenga la máquina y espere hasta que el motor se pare antes de instalar o retirar la batería.
- Debe leer, conocer y seguir las instrucciones del manual de la batería y el cargador.

1. Alinee las nervaduras de elevación de la batería con las ranuras del compartimento de la batería.
2. Introduzca la batería en el compartimento de la batería hasta que encaje en su posición.
3. Cuando escuche un clic, la batería está instalada.

8.3 RETIRADA DE LA BATERÍA

1. Pulse y mantenga pulsado el botón de desbloqueo de la batería.
2. Retire la batería de la máquina.

8.4 INSTALACIÓN DE LA LUZ DELANTERA



▲ AVISO

- Las herramientas a batería siempre están en estado de funcionamiento. Por tanto, apague siempre la luz cuando no la utilice o cuando lleve la máquina a su lado.

1. Alinee el perno en el orificio (del soporte).
2. Inserte el perno en el orificio hasta que se encaje en su posición y, posteriormente, apriete con los mandos.
3. Realice la misma operación en el otro lado.

8.5 RETIRADA DE LA LUZ DELANTERA

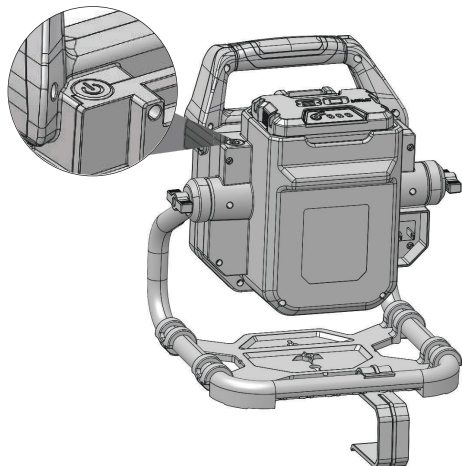
1. Desbloquee los mandos derecho e izquierdo.
2. Retire los pernos.

9 FUNCIONAMIENTO

▲ AVISO

No utilice ningún accesorio no recomendado por el fabricante de este producto.

9.1 PUESTA EN MARCHA DE LA MÁQUINA



1. Instale la batería o conecte la fuente de alimentación.
2. Pulse el botón de encendido/apagado para encender la máquina. La máquina se encenderá con el máximo brillo.
3. Para reducir el brillo, pulse de nuevo el interruptor de encendido/apagado.

Funcionamiento a baja tensión

Cuando la batería esté a menos del 5%, la máquina parpadeará tres veces con un brillo de 500 lúmenes.

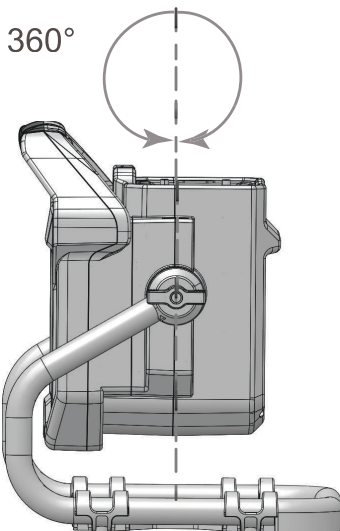
▲ AVISO

- No siga pulsando el interruptor de encendido y apagado después de que la máquina se haya apagado automáticamente. La batería puede resultar dañada.

9.2 DETENCIÓN DE LA MÁQUINA

1. Pulse el botón de encendido/apagado para apagar la máquina.

9.3 INCLINACIÓN DE LA LUZ DELANTERA



1. Sujete el asa auxiliar y desbloquee los mandos derecho e izquierdo.
2. Gire la luz delantera a la posición necesaria.
3. Apriete los mandos.

10 MANTENIMIENTO

▲ AVISO

Retire la batería de la máquina antes de realizar tareas de mantenimiento.

▲ AVISO

No utilice disolventes o detergentes fuertes en la carcasa o los componentes de plástico.

10.1 LIMPIEZA DE LA MÁQUINA

▲ PRECAUCIÓN

La máquina debe estar seca. La humedad supone un riesgo de descargas eléctricas.

- Quite el material no deseado del respiradero con un aspirador.
- No pulverice el respiradero ni lo introduzca en disolventes.
- Limpie la carcasa y los componentes de plástico con un paño húmedo y suave.

11 DATOS TÉCNICOS

Tensión	80 V
Lúmenes	2500 lm
Tiempo de funcionamiento (con batería de 80V 2AH)	Hasta 5.5 horas (luz alta) Hasta 11 horas (luz baja)
Ángulo de rotación	360°
Peso sin batería	4.4 lbs (2 kg)
peso con batería 80V 2ah	8.05 lbs (3.65 kg)
Modelo de batería	2901302 y otras series BAB
Modelo de cargador	CAB801 y otras series CAB

El intervalo de temperatura ambiente recomendado:

Elemento	Temperatura
Intervalo de temperatura de almacenamiento del aparato	32°F (0°C) - 158°F (70°C)
Intervalo de temperatura de funcionamiento del aparato	32°F (0°C) - 104°F (40°C)
Intervalo de temperatura de carga de la batería	39°F (4°C) - 104°F (40°C)
Intervalo de temperatura de funcionamiento del cargador	39°F (4°C) - 104°F (40°C)
Intervalo de temperatura de almacenamiento de la batería	32°F (0°C) - 73°F (23°C)
Intervalo de temperatura de descarga de la batería	32°F (0°C) - 113°F (45°C)

12 GARANTÍA LIMITADA



Por la presente Greenworks garantiza este producto, al comprador original con el comprobante de compra, durante un periodo de cuatro (4) años frente a defectos en materiales, piezas o mano de obra. A su entera discreción Greenworks reparará o sustituirá cualquiera y todas las piezas que resulten ser defectuosas, con un uso normal, sin coste alguno para el cliente. Esta garantía es válida únicamente para unidades que se hayan utilizado para uso personal que no han sido arrendadas o alquiladas para uso industrial/comercial y cuyo mantenimiento se ha realizado de acuerdo con las instrucciones del manual del propietario suministrado con el producto nuevo.

ARTÍCULOS NO CUBIERTOS POR LA GARANTÍA:

1. Cualquier pieza que no funcione debido a mal uso, uso comercial, abuso, negligencia, accidente, mantenimiento inadecuado o alteración; o
2. La unidad, si no ha sido utilizada o mantenida de acuerdo con el manual del propietario; o
3. Desgaste normal, excepto en lo indicado a continuación;
4. Artículos de mantenimiento de rutina tales como lubricantes, afilado de cuchillas;
5. Deterioro normal del acabado exterior debido al uso o la exposición.

LÍNEA DE ASISTENCIA TELEFÓNICA:

Puede contactar con el servicio de garantía llamando a nuestra línea de asistencia telefónica gratuita, a 1-855-345-3934.

COSTES DE TRANSPORTE:

Los costes de transporte por el desplazamiento de cualquier unidad o accesorio de equipos eléctricos son responsabilidad del comprador. Es responsabilidad del comprador pagar los costes de transporte de cualquier pieza enviada para su sustitución bajo esta garantía, a menos que dicha devolución sea solicitada por escrito por Greenworks.

Dirección en EE.UU.:

Greenworks Tools
P.O. Box 1238

Mooresville, NC 28115

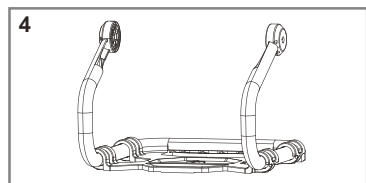
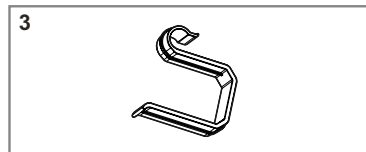
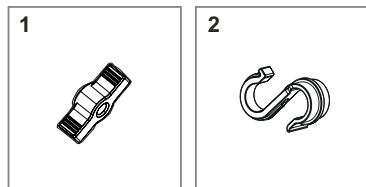
Dirección en Canadá:

Greenworks Tools Canada Inc.
P.O. Box 93095, Newmarket,
Ontario

L3Y 8K3

13 VISTA DESPIEZADA

ES



Nº	Nº de art.	CAN T.	Descripción
1.	R0201158-00	2	Mando
2.	R0201156-00	1	Gancho en S
3.	R0201157-00	1	Gancho
4.	R0201155-00	1	Soporte