



Balers & Hay Tools

DISCO
VOLTO
LINER

ROLLANT
VARIANT
QUADRANT

CLAAS



CLAAS Balers and Hay Tools

More power for your harvest chain.

Perfectly coordinated - harvesting systems by CLAAS.

For daily grassland-based operations, you need more than just robust machinery. You need technology that you enjoy running – reliable machinery and technology that works in unison when the going gets tough and when there seems to be no end in sight. And, you need harvesting systems that piece together seamlessly.

As a leading equipment manufacturer of hay and forage machinery, CLAAS provides the ideal harvesting chain for any farm or business size. Our coordinated machines support you in your day-to-day operations and enable you to achieve optimal results in forage harvesting.





CLAAS value factor. New for 2020.

1 NEW: DISCO 4000 TRC.

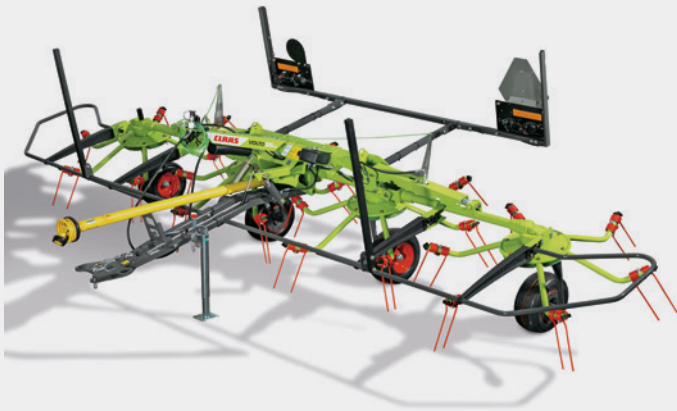
The new DISCO 4000 TRC couples the drawbar hook-up with a swivel gearbox for tight turns. The hydraulic flotation makes for less wear, less ash, and better cut quality. The new adjustable windrow forming plates allow the operator to make a perfectly sized windrow for their needs.



2 NEW: ROLLANT 520.

The new ROLLANT 520 4 x 4 fixed-chamber round baler features an updated design, 8 newly designed heavy-duty rollers that have a 4mm wall thickness and the shafts bolted to 15mm thick flanges for improved strength and durability when baling tough crops.





3 NEW: VOLTO 55 TH.

The new VOLTO 55 TH gives customers faster ground speed and a more even spread pattern with the MAX SPREAD tine system. The strong tube tine arms and PERMALINK drive system allow for high workloads. The innovative folding and tilt system make it fast to move from field to field.

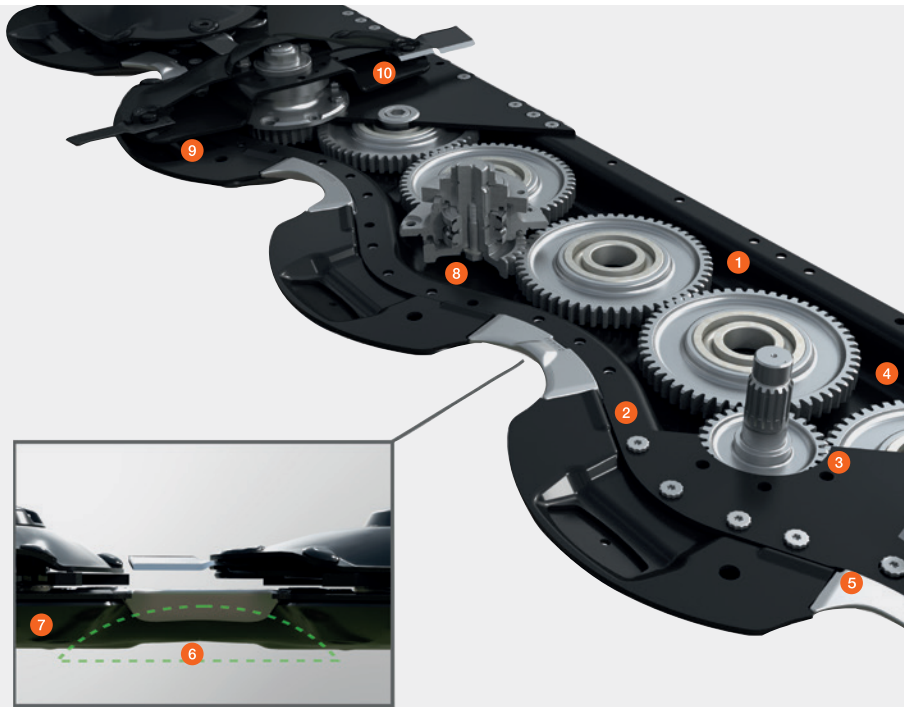


4 NEW: QUADRANT 5300.

The new 3 x 4 square baler from CLAAS includes all new features such as Automatic Pressure Control, a longer bale chamber, new HD II single knotters, a knotter monitoring system option, as well as an optional bale scale and LED work lights to create heavy bales with unmatched bale shape and reliable tying every time.

DISCO Mower Technology

MAX CUT Cutterbar

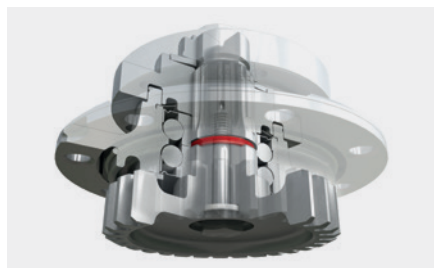


- 1 Cutterbar stamped from a single piece of steel
- 2 Machined base and cover bolted for maximum impact resistance
- 3 Efficient drive line concept for PTO speeds as low as 850 rpm
- 4 Lifetime and permanently lubricated cutterbar
- 5 Special hardened and bolted connection pieces
- 6 Optimized tunnel effect
- 7 Wear skids, high-cut skids, double highcut skids and bar protection device available as optional equipment
- 8 SAFETY LINK shear hub
- 9 Quick knife blade change
- 10 Fully rotating knives



Maximum pressing force and ultra-precise fit.

The core of the DISCO cutterbar is the wave shaped bed stamped from a single piece of steel. The base and cover are machined together for an ultra-precise fit between the two halves of the structure. The innovative bolt design provides a perfect connection for maximum deflection and impact resistance unlike welded versions. The high-strength fine-grain steel ensures maximum service life.



SAFETY LINK.

Each disc is protected by a pre-determined breaking point that shears off to protect the drive train. An axial bolt holds the mowing disc module securely to the mower bed until it can be replaced.



ACTIVE FLOAT.

With ACTIVE FLOAT, you can adapt quickly and easily to changing conditions. The ground pressure of the mower can be flexibly adjusted with a single-acting spool valve, even while moving.

Conditioner options.

DISCO mowers offer different conditioner options for your operation.

- without conditioner - windrowing for silage baling or chopping
- full-width tine conditioner - a spiral configuration ideal for grass harvest
- full-width roller conditioner - to perfectly condition crops like alfalfa without destroying leaves.

DISCO Triple Mowers.

Unprecedented productivity.



DISCO 1100 TREND / 1100 C / 1100 RC.

Unprecedented productivity.

With a working width of up to 35'1" (10.7 m), the DISCO 1100 TREND and DISCO 1100 C / RC are the largest CLAAS mowers on the market today, and offer mowing with either no conditioner, tine conditioner, or rubber roller conditioning.

The drive concept.

The drive train design is ultra reliable with very little maintenance. The external mower drive means that a simple telescoping drive shaft is all that is needed.

The telescoping booms.

Each of the two telescoping booms, fitted with a 12'6" (3.8 m) MAX CUT cutterbar, has infinitely variable adjustment of working width options via the terminal or remote. The inside travel measurement rams provide flexible overlap on tight curves or on slopes. For transport, the booms are folded up for a maximum height of 13'1" (3.99 m).



DISCO 9200 Series and front-mounted mowers.

DISCO 9200 Series: large-scale options.

The 29'2" / 29'10" (8.9 / 9.1 m) DISCO 9200 series mowers come with either no conditioners, tine conditioners, or roller conditioners, and is a sturdy, reliable mower in all conditions. The mower features ACTIVE FLOAT, mechanical breakaway protection, and a hydraulic transport locking device. The DISCO 9200 C AS comes with a tine conditioner and mergers. The mergers can swath all the cut crop into one windrow for easier pickup, but also can be folded out of the way when not needed.

DISCO front mowers.

DISCO front mowers deliver outstanding results on their own, but combined with a rear triple mower, are an unbeatable system.

PROFIL – three-dimensional ground tracking.

The PROFIL linkage allows three-dimensional ground tracking independent of the tractor's movement for consistent mowing quality, protection of grass cover, and higher mowing speeds.

DISCO MOVE mowers.

The CLAAS DISCO MOVE offers a unique vertical freedom of movement combined with fast ground contour adaption.

- Vertical freedom of movement of 24" (600 mm) up and 16" (400 mm) down
- Perfect interaction of the MOVE headstock lateral turning point and the pivot point at the cutterbar
- Superior ground contour following even with big tractors

DISCO 3-Point Mowers.

Outstanding reliability.



DISCO CONTOUR mowers

ACTIVE FLOAT (4000, 3600, 3200).

The hydropneumatic ACTIVE FLOAT system allows you to adapt ground pressure quickly and easily to changing terrain or crop conditions. This means improved riding comfort and improved mowing quality. Hydraulic flotation will result in less wear and long-term reliability.

Optimum ground contour following.

The mower units in the CONTOUR model series are hitched at the center of gravity to pivot freely and adapt to the ground contour. The correct adjustment height is indicated with arrows on the booms.

Safe and secure on the road.

The 120° transport position and the center of gravity close to the tractor provide outstanding stability for safety and ease of handling on the road. The mechanical lock system holds the mower securely while in transport.

Conditioner options.

DISCO 3600 CONTOUR Series rear mowers are now available with a tine, roller, or no conditioner.



DISCO 50 Series mowers

Excellent flotation on rough terrain (3550, 3150, 2750).

Spring flotation provides mower suspension, transferring the machine's weight to the tractor which allows the residual weight to be carried over the full length of the cutterbar. With varying cutting conditions, ground pressure can be adjusted easily on the mower frame.

Compact transport position.

The pivot point is located well inside, giving the mower a center of gravity close to the tractor to ensure excellent stability on the road. For added safety, the mower is secured mechanically.



Easily adjustable.

Adjustable lower link pins are used to set the tractor track width. This allows use of the full working width and setting of the optimum overlap when operating in combination with a front mower. Pins at different lengths ensure easy and convenient hitching.

Save space.

A practical, space-saving parking bracket option is also available in the 50 rear-mounted DISCO model range, allowing you to make best use of the space available on the farm.

DISCO Trailed Mowers.

Spectacular performance.



DISCO 3150 TC / TRC

- Side pull mower
- 9'10" (3 m) working width
- with tine or roller conditioner



DISCO 3600 TC/TRC and DISCO 4000 TC

- Center pivot mower
- 11'2" - 12'6" (3.4-3.8 m) working width
- tine or roller conditioner



New DISCO 4000 TRC.

- Center pivot mower
- 12'6" (3.8 m) working width
- roller conditioner



Side-pull mowers.

Trailed DISCO mowers provide all the capacity needed for high work rates

- swivel gearbox to make sharp turns while keeping the driveline straight
- ability to float backwards and upwards and avoid objects, plus reduce ash and wear on machine



Convenient operation.

Center pivot mowers feature:

- pivoting gearbox for tight turns
- ACTIVE FLOAT and suspension that pulls back and over obstacles
- PROFIL link allows cutterbar to rock back and over terrain to keep cutterbar from colliding with dirt mounds



New DISCO 4000 TRC.

Trailed mower features:

- swath plates to adjust windrow widths
- drawbar attached with swivel gearbox for tight turning
- double roller drive on roller conditioner
- tool-free quick windrow guard adjustment for optimal width and density

VOLTO tedders.

Even spreading for shorter drying times.



NEW: VOLTO 55 TH.

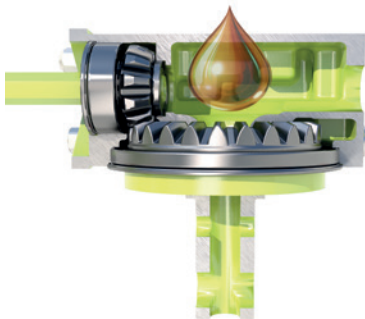
The VOLTO 55 TH is an ideal no-frills, four-rotor tedder for smaller acreages. With a 17'1" (5.2 m) working width, this model offers a working quality equal to that of larger machines.

- MAX SPREAD crop flow
- New drawbar
- New flexible guards
- Hydraulic fold and tilt from cab
- 6 tines per rotor
- Drive shaft with overload protection
- PERMALINK drive line
- Large, 16-inch balloon tires

MAX SPREAD Series tedders.

The MAX SPREAD crop flow concept on all VOLTO tedders is characterized by the tangential linkage of the tines and tine angle of 29.3°. MAX SPREAD tines work for 33 percent longer, facing or crosswise to the direction of travel. With MAX SPREAD, higher work speed or operation at a reduced engine speed is possible.

The tines on all VOLTO machines are equipped with fingers of equal length. These pick up the crop in layers and ensure that it is mixed thoroughly. The result is a homogeneous spreading pattern that facilitates rapid drying.



Driveline & square tubes.

The hermetically sealed transmission runs in low-viscosity grease and is encased in rugged cast-iron housings. The tedder frame is designed with square tubes for maximum stability.

PERMALINK.

The innovative PERMALINK power flow transmission system is at the heart of the VOLTO.

- Low-wear, cast-steel components with large, flattened finger contact surfaces.
- The system stays fully engaged when folding through 180° with reliable power flow in every situation.



LINER rakes.

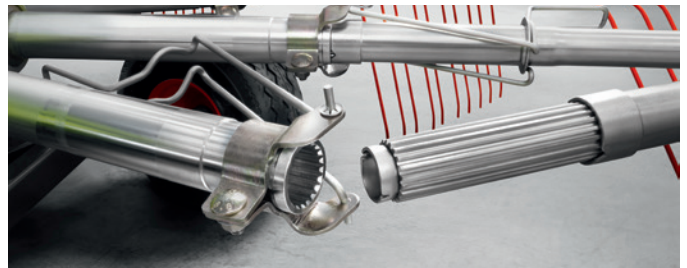
Taking raking to a whole new dimension.



From the single rotor rake, dual rotor center or side delivery rakes, to the four rotor large-scale rake, CLAAS has the perfect solution to master any challenge. From working widths of 12' to 49'3" (3.7 to 15 m), the LINER range of rotary rakes all provide optimum ground-contour following to protect both the soil and the crop.



Continuously lubricated rotor housing assembly. The rake's rotor housing is filled with oil and hermetically sealed so that the transmission is protected from dirt and maintenance-free. The cam rollers operate smoothly in an oil bath for frictionless operation and maximum service life.



PROFIX tine arm bracket. The patented PROFIX tine arm bracket with multiple splines keeps the tine arms firmly attached. Additionally, in a collision, the predefined bending point protects the rotor assembly from damage.



3-D rotor suspension. The gimbal suspension ensuring rotors adjust laterally and longitudinally to the ground contours independently from all tractor functions. This allows the LINER to deliver superior windrows in any conditions.



Tandem axle. The optional six-wheel rotor chassis with additional tandem axles and trailing wheels provides even better ground-contour following, high work speeds and top forage quality.

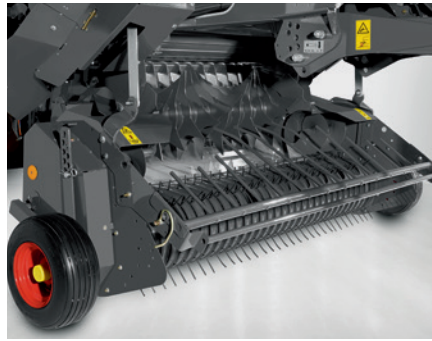
ROLLANT.

Fixed chamber round balers.



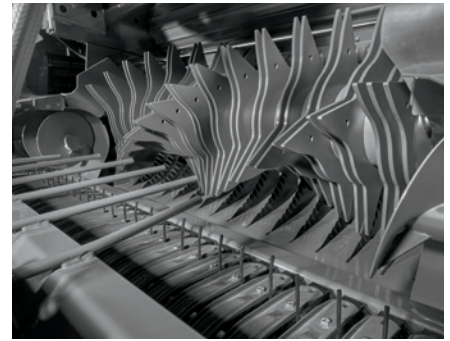
Pick-up.

With an 83" (2.1 m) pickup, the ROLLANT balers take in wide windrows cleanly and thoroughly for efficient baler feeding, no matter what crop you are working in.



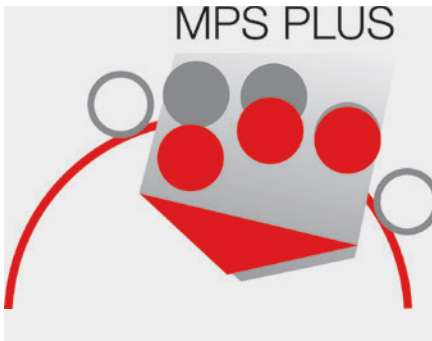
ROTO FEED.

The rotor blades are arranged in dynamic spirals for uniform intake and efficient output. ROTO FEED excels in delicate crops like alfalfa. The spiral arrangement helps protect the crop and produces top-quality forage – while helping to ensure optimum bale shape.



ROTO CUT.

Top-quality silage is the hallmark of the CLAAS ROTO CUT system. Properly chopped silage can be packed more densely in the bale, creating the ideal conditions for lactic acid fermentation, and ultimately higher milk production.



MPS II and MPS PLUS.

With baling pressure freely configurable from 60 to 100% of maximum delivery, the ROLLANT with MAXIMUM PRESSURE SYSTEM (MPS) or MPS PLUS delivers perfectly shaped bales. With MPS PLUS, highly compacted bales can be produced for optimal storing, even at high vehicle speeds.



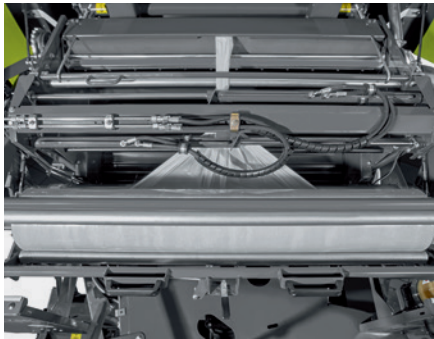
Bale chamber: rugged design for maximum reliability.

The durable steel rollers in the ROLLANT bale chamber are designed for the harsh conditions of silage baling and have a longer life span than belt balers of similar size. Additionally, select ROLLANT models are equipped with the Maximum Pressure System (MPS) which creates higher density bales for greater silage quality.



Automatic tying – twine, net wrap, or both.

Twine or net – ROLLANT gives you the choice. The ROLLATEX net wrapping system saves time with its fully automated system that takes only a matter of seconds. The fully adjustable net guidance system applies netwrap tightly along the entire width of the bale and firmly binds the edges, and the number of wraps can easily be adjusted.



Film wrapping for ROLLANT 455 UNIWRAP.

The new film wrapping system optimizes forage preservation and also ensures a consistent bale shape. You only need to have one kind of packaging material on board, and require less wraps with the bale wrapper.

UNIWRAP: baling and wrapping in one step.

ROLLANT 455 UNIWRAP allows you to bale and wrap simultaneously, not only saving you a second trip through the field that would be necessary with independent bale wrappers, but it lets you continue to bale as the prestretched film is wrapping the bale.

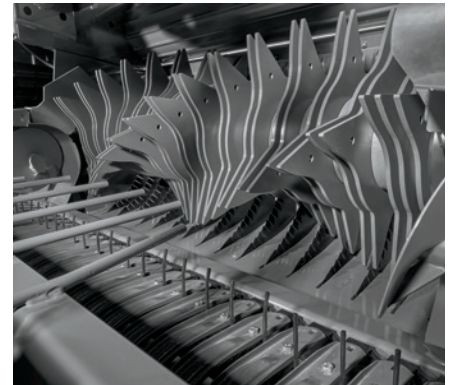
After tying, the bale is carefully transferred from the bale chamber to the wrapping table where two 29.5 in (750 mm) wrapping arms tightly wraps six layers of film around the bale in just 23 seconds. After wrapping, the optional bale twister safely deposits the bale onto the ground, positioning it on its end to help minimize damage from field stubble.

ROLLANT 540 and ROLLANT 520.

The newest members of the ROLLANT family.

Maximum strength for maximum reliability.

The new ROLLANT round balers are newly designed, rugged, reliable fixed chamber round balers from CLAAS. With all new rollers, feeding system, axle, lubrication system, pressure kinematics, and net binding, the ROLLANT 540 and 520 balers are ideally suited for daily work, especially in dry crops.



Pick up.

The 83" (2.1 m) pick-up (73" / 1.85 m for the ROLLANT 520 R) provides full utilization of the baler's capacity and ensures high throughput in any type of forage. The wide range of drawbar settings give more flexibility for hitching to different tractors.

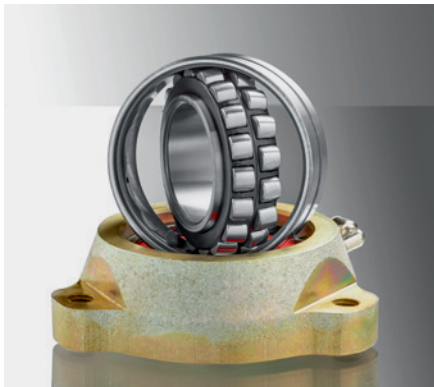
ROTO CUT.

The ROTO CUT chopping system (15 knives on ROLLANT 540, 14 knives on ROLLANT 520) is geared for maximum throughput. The crop is fed accurately over the knife bed by helical rotor blades running a high cutting frequency. The sturdy double-tempered steel blades provide a long service life.



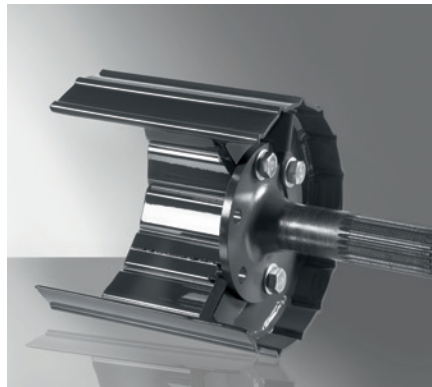
Drop floor (ROLLANT 540)

As the baler encounters blockages, sensors send an acoustic signal to the cab. To clear the baler, the operator activates the automatic blockage clearance cycle to drop the knives and hydraulically lower the cutting floor. Once the cycle clears the blockage, the knives and cutting floor are raised so the operator can resume baling.



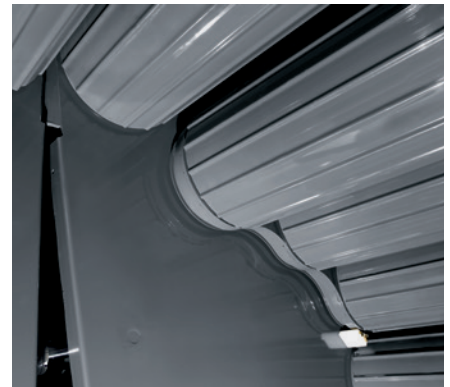
NEW: Optimized drive concept.

In addition to the rollers, the ROLLANT 540 and 520 drive concept was also updated. Chains, gears and bearings were strengthened to better handle heavy use for several hours under maximum load. Thanks to larger gears and an extremely stable cast rolling bearing head, the ROLLANT 540 and 520 are also ready for heavy crop.



NEW: Heavy Duty frame and rollers.

The new reinforced heavy duty frame is 20% thicker than the previous 300 Series balers. The stronger frame allows ROLLANT 540 and 520 balers to support heavier rollers and withstand the toughest harvesting conditions. The riveted joint provides greater flexibility and take on more stress during baling.



Bale chamber

The new ROLLANT bale chamber contains reinforced rollers (16 reinforced HD rollers in the ROLLANT 540, and 8 reinforced HD rollers in the ROLLANT 520) featuring 4mm thick walls, a bolted 15 mm flange (vs. previous welded versions), and a laser welded seamless sleeve that is perfect for robust harvesting conditions, like wet crop or silage baling.

VARIANT 400 Series.

Redesigned to give you more.



The VARIANT 400 Series balers from CLAAS offer more convenience, better feeding, extra wide net-wrapping so that you can make the most of your time out in the field. The VARIANT is still a proven design that offers enormous throughput capacity and outstanding performance features.

From the industry-first 83" (2.1 m) pick-up to ROTO FEED and ROTO CUT feeding options, the four endless belts in the baling chamber, or the wider CLAAS Covered XW (extra wide) net wrapping, the VARIANT baler is built for rugged performance. All components demonstrate high operational reliability and long service life, no matter what crops you plan to bale with your VARIANT.



Extra wide pickup.

With a huge appetite, nothing gets left behind. The VARIANT 400 Series baler comes with a standard 83 in (2.1 m) pickup and tool-free height adjustment. The VARIANT 480, 460, and 465 can also be fitted with an optional 92.5 in (2.35 m) pickup for even wider working width.



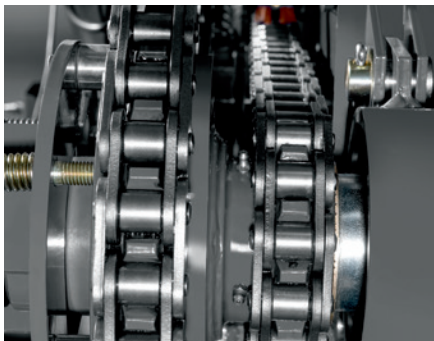
Drop floor (optional).

The PRO hydraulically lowerable floor aids in maintaining high chop quality and continuous crop flow. The system can be initiated from the cab, and unlike competitive brands of balers, the rear pivot point immediately creates more area for blockages to be cleared. In addition, the individual s



CLAAS OPERATOR with new monitor layout.

The CLAAS OPERATOR displays pressure settings in 10 increments instead of bar/psi pressure values to make adjustment easier, as well as the addition of 5 automatic settings that can be pre-set for silage, dry hay, and 3 manual settings for height, density, and soft core. As an option, net wrap settings can also be set from the VARIANT in-cab monitor.



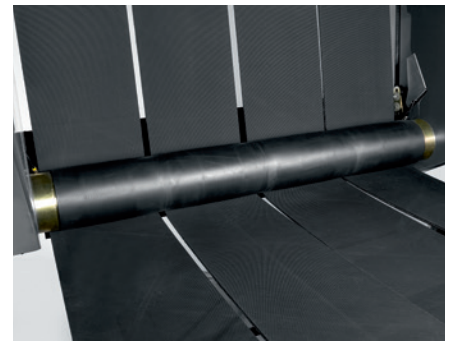
Heavy duty drive.

The heavy duty drive train in the VARIANT 400 series balers delivers top performance in the toughest crop conditions. The heavy duty gearbox increases throughput, the baling belts are seamless for reduced wear points, and the 1.25" chains are built for the long haul. Plus, with the optional CLAAS automatic lubrication system, the chains are continually lubricated for longer service life.



Unique to CLAAS: the rotor gets the bale rolling.

Only from CLAAS: the belts and the chopping rotor turn in opposite directions, allowing for the immediate bale start necessary to produce a compact core. The high-speed rotor reaches directly into the bale, forcing the bale start – for each and every bale, and in all conditions. This also prevents belt slippage.



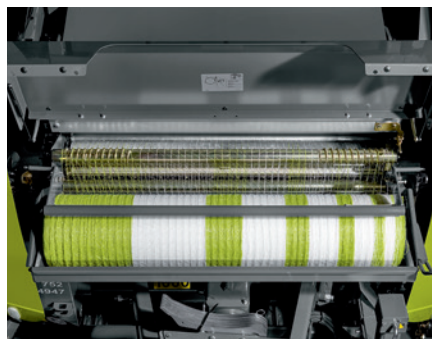
Four seamless belts for perfect bale shape and density.

The four heavy-duty seamless baling belts on the VARIANT also contribute to consistently high performance and bale density. Driven by two cambered rubber-coated rollers and a belt speed of 10 ft/sec, the VARIANT turns faster and compresses more densely than any other baler. With maximum surface coverage by the four belts, minimizing crop loss.



CLAAS Covered XW (extra wide) over the edge net wrap.

The CLAAS Covered XW net wrap comes standard on all VARIANT balers. The VARIANT can operate with 48" "Edge to Edge" net wrap or Extra Wide 51", and transition from one size to the other by moving a few pins. The over the edge net



wrap provides coverage 2-3" over the edge of the bale for more secure binding and easier transport. Plus, with the optional COMFORT tying system, the operator sets the number of wraps from the cab to reduce waste on lighter crops.



Visibility and net wrap storage.

The VARIANT is designed so that wrapping takes place in a highly visible area. You see exactly when it starts, follow the action as it progresses, and know the moment it's finished. Plus, the storage compartment is easily accessible and large enough for two net wrap rolls.

NEW

QUADRANT 5300

The baler with more.



ROTO CUT.

CLAAS ROTO CUT is one of the highest chopping frequency systems on the market, enabling chop lengths of 1.8 in (45 mm) with excellent chop quality. The 25 knife ROTO CUT system is renowned for:

- Less time spent mixing in the feed mixer
- Better forage quality
- Less feed residue

FINE CUT.

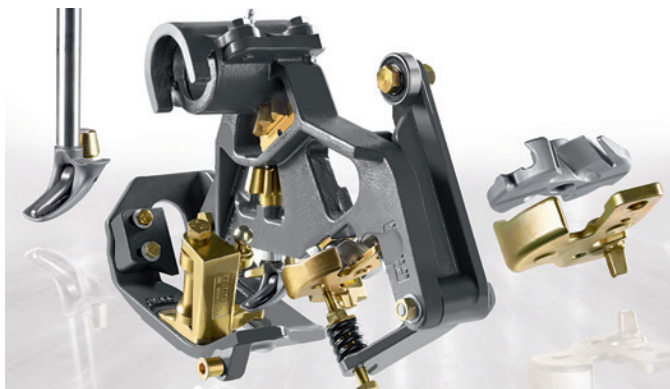
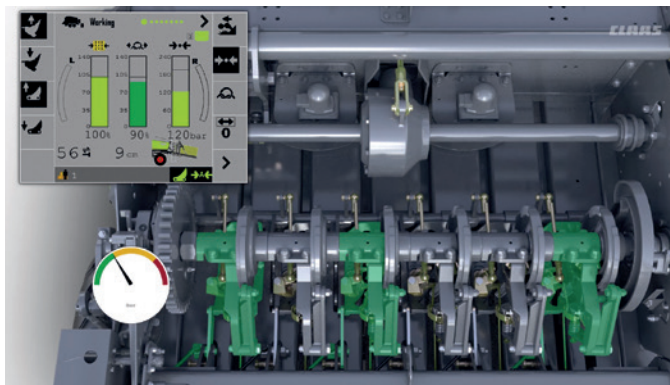
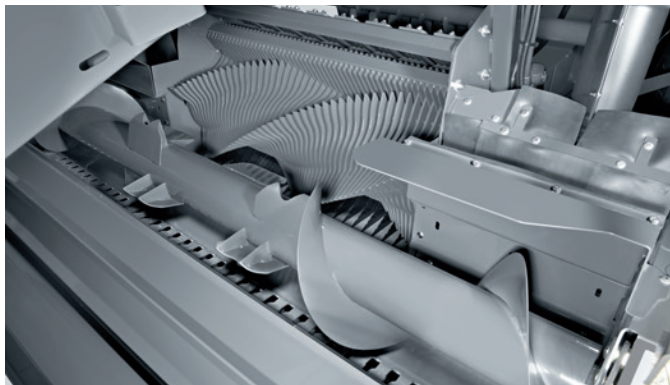
FINE CUT straw breaks down easily, and it mixes directly with the added silage. The new knife group combinations offer greater flexibility and better chop quality.

- Significantly better crop intake
- Reduced waste
- Stimulation of rumen action
- Increase of overall crop intake
- Cuts time for replacing food residues and cleaning feeding stations

Ready for anything.

The QUADRANT 5300 is available with a hydraulically driven pick-up roller crop press and PFS auger. The advantages of the new hydraulic feed system are:

- Individual adjustment to crop and field conditions for greater forage protection
- Greater adaptability to field conditions
- Optimized crop flow
- Reverse control from the cab, for maximum user-friendliness



POWER FEEDING SYSTEM.

The POWER FEEDING SYSTEM features a transverse feed auger for increased and more even crop flow. Wider stars reduce the distance to the knife, enhance chop quality, and give maximum durability. This lets the QUADRANT take in enormous capacity even large, uneven windrows.

Automatic Pressure Control.

CLAAS now offers an automatic control system for baling pressure unique to the market. The baling pressure is controlled not just by the load on the main frame, but also the twine tension. Paired with the new 152 in (3.85 m) bale chamber with new side retainers, better-shaped and high-density bales are created every time.

HD II Knotter, knotter monitoring & turbo fan.

The HD II knotter's stronger material and reworked design offer better tying reliability than before. The new monitoring system includes sensors on the knotter and front frame to measure twine tension and bending forces, then adjusts bale pressure according to the load. The TURBO FAN system with active airflow protects and cleans the knotter with 87 mph (140 km/h) airflow and air diffusers.

LED light & bale scale.

The QUADRANT can be equipped with LED lights for late evening work and an integrated weighing system that displays exact bale weight on the terminal and can be saved to the customer job - ideal for commercial hay operations.

Specifications.

DISCO		1100 RC	1100 C	1100 TREND	9200 C AS	9200 RC	9200 C	9200
Triple mowers								
Working width	ft (m)	35'1"-30'10" (10.7-9.4)	35'1"-30'10" (10.7-9.4)	35'1"-30'10" (10.7-9.4)	29'10"-29'2" (9.1-8.9)	29'10" - 29'2" (9.1-8.9)	29'10" - 29'2" (9.1-8.9)	29'10" - 29'2" (9.1-8.9)
3-point mounting category		III / IV-N	III / IV-N	III / IV-N	III / IV-N	III / IV-N	III / IV-N	III / IV-N
PTO shaft speed	rpm	1000	1000	1000	1000	1000	1000	1000
Cutterbar		MAX CUT	MAX CUT	MAX CUT	MAX CUT	MAX CUT	MAX CUT	MAX CUT
Number of discs		2 x 9	2 x 9	2 x 9	2 x 8	2 x 8	2 x 8	2 x 8
Conditioner type		Roller	Tine	–	Tine & Merger	Roller	Tine	–
Flotation style		ACTIVE FLOAT	ACTIVE FLOAT	ACTIVE FLOAT	ACTIVE FLOAT	ACTIVE FLOAT	ACTIVE FLOAT	ACTIVE FLOAT
Hydraulic spool valves		LS or 1 x sa + FR	LS or 1 x sa + FR	LS or 1 x sa + FR	LS or 1 x sa + FR	1 x da + (1 x sa)	1 x da + (1 x sa)	1 x da + (1 x sa)
Hydraulically foldable protective covers		●	●	●	○	○	○	○
Standard terminal		COMMUNICATOR II	COMMUNICATOR II	COMMUNICATOR II	COMMUNICATOR II	OPERATOR	OPERATOR	OPERATOR

DISCO		4000	3600 RC	3600 C	3600	3200	3550	3150	2750
3-Point mowers									
Working width	ft (m)	12'6" (3.8)	11'2" (3.4)	11'2" (3.4)	11'2" (3.4)	9'10" (3)	11'2" (3.4)	9'10" (3)	8'6" (2.6)
3-point mounting category		III	II / III	II / III	II / III	II / III	II	II	II
PTO shaft speed	rpm	1000	1000	1000	1000	1000	540	540	540
Cutterbar		MAX CUT	MAX CUT	MAX CUT	MAX CUT	MAX CUT	MAX CUT	MAX CUT	MAX CUT
Number of discs		9	8	8	8	7	8	7	6
Conditioner type		–	Roller	Tine	–	–	–	–	–
Flotation style		ACTIVE FLOAT	ACTIVE FLOAT	ACTIVE FLOAT	ACTIVE FLOAT	ACTIVE FLOAT	Spring	Spring	Spring
Hydraulic spool valves		1 x da + (1 x sa)	1 x da + (1 x sa)	1 x da + (1 x sa)	1 x da + (1 x sa)	1 x da + (1 x sa)	1 x sa	1 x sa	1 x sa

DISCO		4000 TRC	4000 TC	3600 TRC	3600 TC	3150 TRC	3150 TC
Trailed mowers							
Working width	ft (m)	12'6" (3.8)	12'6" (3.8)	11'2" (3.4)	11'2" (3.4)	9'10" (3)	9'10" (3)
2-point mounting category		III	III	II	II	II	II
Drawbar		III / II	III / II	–	–	–	–
Trailed type		Center	Center	Center	Center	Side	Side
PTO shaft speed	rpm	1000	1000	1000	1000	540	540
Cutterbar		MAX CUT	MAX CUT	MAX CUT	MAX CUT	MAX CUT	MAX CUT
Number of discs		9	9	8	8	7	7
Conditioner type		Roller	Tine	Roller	Tine	Roller	Tine
Flotation style		ACTIVE FLOAT	ACTIVE FLOAT	ACTIVE FLOAT	ACTIVE FLOAT	Spring	Spring
Hydraulic spool valves		1 x da + 1 x sa (+1 x sa)	1 x da + 1 x sa (+1 x sa)	1 x da + 1 x sa (+1 x sa)	1 x da + 1 x sa (+1 x sa)	1 x da + (1 x sa)	1 x da + (1 x sa)

DISCO		3600 FRC MOVE	3600 FC MOVE	3600 F MOVE	3600 FRC PROFIL	3600 FC PROFIL	3600 F PROFIL	3200 FRC PROFIL	3200 FC PROFIL	3200 F PROFIL
Front mowers										
Working width	ft (m)	11'2" (3.4)	11'2" (3.4)	11'2" (3.4)	11'2" (3.4)	11'2" (3.4)	11'2" (3.4)	9'10" (3)	9'10" (3)	9'10" (3)
3-point mounting category		II	II	II	II	II	II	II	II	II
PTO shaft speed	rpm	1000	1000	1000	1000	1000	1000	1000	1000	1000
Cutterbar		MAX CUT	MAX CUT	MAX CUT	MAX CUT	MAX CUT	MAX CUT	MAX CUT	MAX CUT	MAX CUT
Number of discs		8	8	8	8	8	8	7	7	7
Conditioner type		Roller	Tine	–	Roller	Tine	–	Roller	Tine	–
Flotation style		ACTIVE FLOAT	ACTIVE FLOAT	ACTIVE FLOAT	Spring	Spring	Spring	Spring	Spring	Spring
Hydraulic spool valves		1 x sa +(1 x sa)	1 x sa +(1 x sa)	1 x sa +(1 x sa)	(1 x sa)	(1 x sa)	(1 x sa)	(1 x sa)	(1 x sa)	(1 x sa)
Hydraulically foldable protective covers		○	○	○	○	○	○	○	○	○

● Standard ○ Optional – Not Available

VOLTO		1300 T	1100 T	900 T	800	800 TH	55 TH
Tedders							
Working width	ft (m)	42'8" (13)	35'1" (10.7)	28'7" (8.7)	25'3" (7.7)	25'3" (7.7)	17'1" (5.2)
Hitch Type		2-pt trailed	2-pt trailed	2-pt trailed	Cat II 3-pt	Drawbar	Drawbar
Mounting category		II	II	II	II	II	II
PTO shaft speed		1000	540	540	540	540	540
PERMALINK		•	•	•	•	•	•
Maintenance free transmission		•	•	•	•	•	–
Number of rotors		10	10	8	6	6	4
Rotor diameter	in (m)	67 (1.7)	59 (1.5)	59 (1.5)	67 (1.7)	67 (1.7)	59 (1.5)
Tine arms per rotor		7	6	6	7	7	6
MAX SPREAD crop flow		•	•	•	•	•	•
Hydraulic spool valves		1 x da	1 x da + 1 x sa	1 x da	1 x da	1 x da + 1 x sa	1 x sa

LINER		4000	3600	3100	2900	2800	2700	2600
-------	--	------	------	------	------	------	------	------

Rotary rakes

		Four Rotor Rakes		Dual Center Delivery Rakes				
Mounting type		2-pt trailed	2-pt trailed	2-pt trailed	2-pt trailed	2-pt trailed	2-pt trailed	2-pt trailed
Mounting category		Cat. III	Cat. II	Cat. II	Cat. II	Cat. II	Cat. II	Cat. II
Working width	ft (m)	40' - 49'3" (12.2 - 15)	32'6" - 41' (9.9 - 12.5)	28'7" - 32'10" (8.7 - 10)	26'3" - 29'6" (8 - 9)	24'3" - 26'11" (7.4 - 8.2)	22'4" - 24'3" (6.8 - 7.4)	20'4" - 22'4" (6.2 - 6.8)
Windrow width	ft, approx (m)	4'11" - 8'6" (1.5 - 2.6)	3'11" - 7'7" (1.2 - 2.3)	4'11" - 8'6" (1.5 - 2.6)	4'7" - 7'10" (1.4 - 2.4)	3'11" - 7'3" (1.2 - 2.2)	3'11" - 6'7" (1.2 - 2)	3'7" - 5'11" (1.1 - 1.8)
Number of rotors		4	4	2	2	2	2	2
Rotor diameter	ft (m)	12'6" (3.8)	10'10" (3.3)	13'9" (4.2)	12'6" (3.8)	11'6" (3.5)	10'6" (3.2)	9'6" (2.9)
Tine arms per rotor set		14	12	14	14	12	12	11
Dual tines per arm set		4	4	5	4	4	4	4
Tine diameter	mm	9.5	9.5	9.5	9.5	9.5	9	9
PROFIX tine arm bracket		•	•	•	•	•	•	–
Windrow laying position		Center	Center	Center	Center	Center	Center	Center
PTO shaft speed	rpm	540	540	540	540	540	540	540
Hydraulic spool valves		1 x da	1 x da	1 x da + 1 x sa	1 x da + 1 x sa	1 x da + 1 x sa	1 x sa	1 x sa

LINER rakes		1900	1800 TWIN	1700 TWIN	800 TWIN	700 TWIN	500 T	450 T	370 T
-------------	--	------	-----------	-----------	----------	----------	-------	-------	-------

Rotary rakes

		Dual Side Delivery Rakes				Single Rotor Rakes			
Mounting type		2-pt trailed	2-pt trailed	2-pt trailed	Trailed	Trailed	Trailed	Trailed	Trailed
Mounting category		Cat. II	Cat. II	Cat. II	–	–	–	–	–
Working width	ft (m)	26'5" (8.05)	24'5" - 28'6" (7.45 - 8.4)	22'5" - 26'4" (6.7 - 7.85)	13'2" - 24'7" (4 - 7.5)	11'6" - 20'8" (3.5 - 6.3)	15'9" (4.8)	14'9" (4.5)	11'6" (3.7)
Number of rotors		2	2	2	2	2	1	1	1
Rotor diameter	ft (m)	12'6" (3.8)	11'6" (3.5)	10'6" (3.2)	11'6" (3.5)	9'6" (2.9)	12'6" (3.8)	11'6" (3.5)	9'6" (2.9)
Tine arms per rotor set		14	12	12	12	11	14	12	11
Dual tine		4	4	4	4	4	4	4	4
PROFIX tine arm bracket		•	•	•	•	•	•	•	Cotter Pin
Windrow laying position		Left	Left	Left	Left	Left	Left	Left	Left
PTO shaft speed	rpm	540	540	540	540	540	540	540	540
Hydraulic spool valves		1 x da + 1 x sa	1 x da + 1 x sa	1 x da + 1 x sa	1 x da + 1 x sa	1 x da + 1 x sa	1 x sa	1 x sa	1 x sa

Specifications.

ROLLANT		455 UNIWRAP	375 UNIWRAP	455 RC	540 RC PRO	520 RC / RF	620 RF
Fixed-chamber round balers							
Pick-up width	in (m)	83 (2.1)	83 (2.1)	83 (2.1)	83 (2.1)	83 (2.1)	83 (2.1)
Rotor type		ROTO CUT	ROTO CUT	ROTO CUT	ROTO CUT	ROTO CUT/ ROTO FEED	ROTO FEED
Number of knives		25	16	25	15	14 / –	–
Lowerable PRO drop floor		●	●	●	–	–	–
Bale chamber width	in (m)	47 (1.2)	47 (1.2)	47 (1.2)	48 (1.22)	47 (1.2)	48 (1.22)
Bale chamber diameter	in (m)	49-53 (1.25-1.35)	49 (1.25)	49-53 (1.25-1.35)	49 (1.25)	49 (1.25)	60 (1.5)
Recommended tractor PTO hp		150	120	110	95	70	72
Baler PTO speed	rpm	1000	540	1000	540	540	540
Bale density system		MPS PLUS	MPS II	MPS PLUS	MPS II	MPS II	–
Bale wrapper		●	●	–	–	–	–
Standard terminal		COMMUNICATOR II	COMMUNICATOR II	COMMUNICATOR II	COMMUNICATOR II	CST	OPERATOR
Standard tires		550 / 60-22.5	560 / 45-22.5	15 / 55-17 10PR	15 / 55-17 10PR	15 / 55-17 10PR	15 / 55-17 10PR

VARIANT		480 RC	465 RC PRO	460 RC	480 RF	460 RF
Variable chamber balers						
Pick-up width	in (m)	83 (2.1)	83 (2.1)	83 (2.1)	83 (2.1)	83 (2.1)
Rotor type		ROTO CUT	ROTO CUT	ROTO CUT	ROTO FEED	ROTO FEED
Number of knives		14	14	14	–	–
Bale chamber width	in (m)	48 (1.22)	48 (1.22)	48 (1.22)	48 (1.22)	48 (1.22)
Lowerable PRO drop floor		–	●	–	–	–
Bale diameter	in (m)	36 - 69 (0.9 - 1.75)	36 - 61 (0.9 - 1.55)	36 - 61 (0.9 - 1.55)	36 - 69 (0.9 - 1.75)	36 - 61 (0.9 - 1.55)
Adjustable bale density/size from monitor		●	●	●	●	●
Baler PTO speed	rpm	540/1000	540/1000	540/1000	540/1000	540/1000
Standard terminal		OPERATOR	OPERATOR	OPERATOR	OPERATOR	OPERATOR
Standard tires		15.5 / 55-17	15.5 / 55-17	15.5 / 55-17	15.5 / 55-17	15.5 / 55-17

QUADRANT		5300 FC	5300 RC Tandm	5300 RC Single	5300 RF Tandem	5300 RF Single
Large square balers						
Pickup width	in (m)	92.5 (2.35)	92.5 (2.35)	92.5 (2.35)	92.5 (2.35)	92.5 (2.35)
POWER FEEDING SYSTEM		●	●	●	●	●
Rotor type		FINE CUT	ROTO CUT	ROTO CUT	ROTO FEED	ROTO FEED
Number of knives		51	25	25	–	–
Drop floor		●	●	●	–	–
Bale chamber length	in (m)	152 (3.85)	152 (3.85)	152 (3.85)	152 (3.85)	152 (3.85)
Bale chamber width	in (m)	47 (1.2)	47 (1.2)	47 (1.2)	47 (1.2)	47 (1.2)
Bale chamber height	in (m)	35 (0.9)	35 (0.9)	35 (0.9)	35 (0.9)	35 (0.9)
Number of CLAAS HD II knotters		6	6	6	6	6
Weighing system		○	○	○	○	○
LED lights		○	○	○	○	○
Standard terminal		COMMUNICATOR II	COMMUNICATOR II	COMMUNICATOR II	COMMUNICATOR II	COMMUNICATOR II
Standard tires		500 / 55-20 or 620 / 50-R22.5	500 / 55-20 or 620 / 50-R22.5	710 / 40-R22.5	500 / 55-20 or 620 / 50-R22.5	710 / 40-R22.5

● Standard ○ Optional – Not Available

©2018 CLAAS of America Inc. All descriptions and specifications should be considered approximate and may include optional equipment. In certain cases, protective panels have been removed to show detail. To avoid risk of injury, never remove these panels yourself. Please refer to operators manual for instructions. Product and specifications subject to change without notice.

CLAAS Service & Parts. Whatever it takes.



Your needs matter.

You can always rely on CLAAS Service & Parts. We'll be there whenever you need us, around the clock if necessary, to provide the perfect solution for your machine and your business. Whatever it takes.

Reliability can be planned.

With our service products, you can increase your machine reliability and minimize your risk of breakdowns with confidence. CLAAS MAXI CARE offers planned reliability for your machine.

Worldwide coverage from Columbus, Regina and Hamm.

The CLAAS of America Parts Logistics Centers in Columbus, Indiana, and Regina, Saskatchewan, provide world-class parts support throughout North America for all CLAAS products. Supported by the CLAAS worldwide spare parts depot in Hamm, Germany, we provide the CLAAS dealer network with reliable, consistent parts availability and industry-leading responsiveness. Your local CLAAS dealer can supply the right parts solution for your business to maximize machine uptime.



Ensuring a better **harvest.**

CLAAS of America Inc
8401 S 132nd Street
Omaha, NE 68138
Phone: 402 861-1000
claas.com