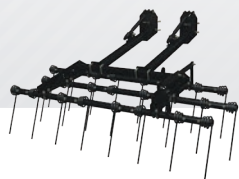


Mounted Attachments

Mounted Attachments



Harrows



Rolling Baskets



Rolling Choppers



Accessories



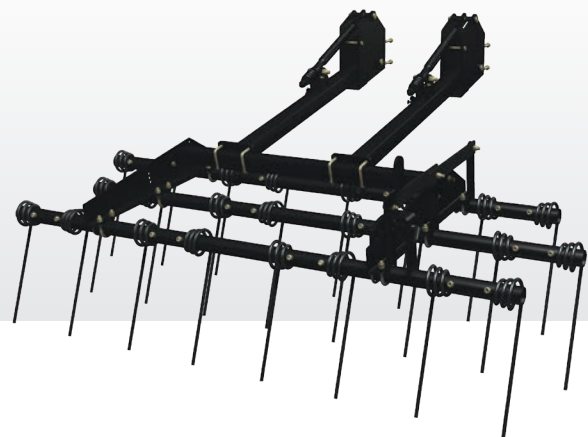
Field Tested TOUGH!™

It's more than a slogan. Field Tested Tough is the entire philosophy behind Summers Manufacturing. Every product from our line of tillage equipment, sprayers, land rollers, rock pickers and mounted attachments has been engineered for maximum performance...and then pushed to the limit in the field. Only after our equipment has passed the toughest tests and proven its longevity does it deserve to have the **SUMMERS** name on it.

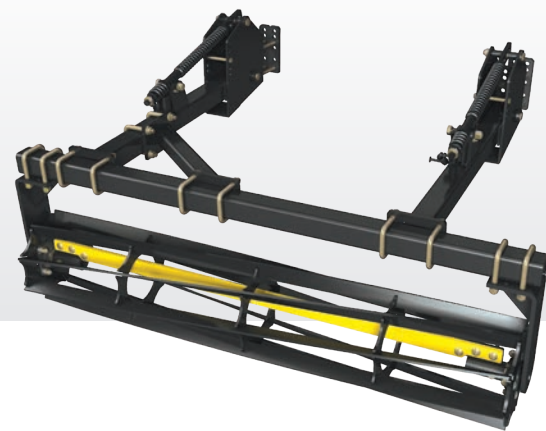


Supercoultter with Mounted Harrows and Rolling Baskets

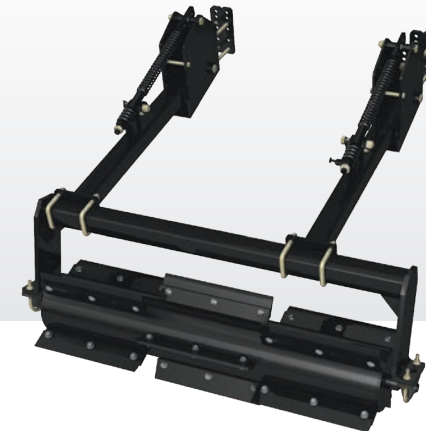
Harrows



Rolling Baskets



Rolling Choppers



Accessories





Superchisel with Mounted Harrows

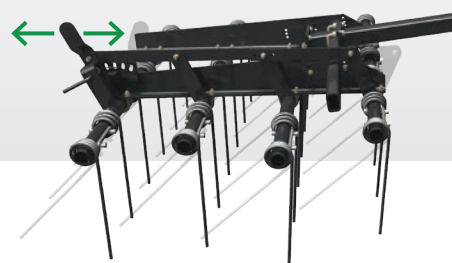
Harrows

Whether you own a Summers tillage tool or something else, our mounted harrows attach to just about any piece of equipment and are an excellent option for distributing residue and leveling the soil in some of the toughest conditions. They offer heavy-duty construction and come with unique features to provide unmatched performance. Available in 3- and 4-bar configurations, the harrows can be adjusted for the ideal amount of aggressiveness and field finish.

MODELS	MH 1094			MH 1104			MH 1105			MH 1106			MH 1108			
	4-½'	6'	7-½'	6'	8'	10'	6'	8'	10'	6'	8'	10'	6'	8'	10'	
Mounting Bar Diameter	2"			2-3/8"			2-3/8"			2-3/8"			2-3/8"			
Tine Diameter	3/8"			1/2"			1/2"			9/16"			5/8"			
Tine Length	18-1/2"			20"			26"			26"			28"			
# of Tines Per Bar	3	4	5	3	4	5	3	4	5	3	4	5	3	4	5	
Weight (Section Only)	3-Bar	120	152	186	210	260	319	215	266	326	230	290	354	255	320	391
	4-Bar	150	190	232	290	352	426	296	359	434	314	382	472	344	424	516
Usage	Level & firm a variety of soil conditions; distribute residue			Low frame implements			Lateral action & smoother field finish			Aggressive leveling & maximum residue flow			Most extreme conditions			
Suggested Implement	Field cultivator			Field cultivator/chisel/disk			Chisel plow			Chisel plow/disk-ripper			Ripper			

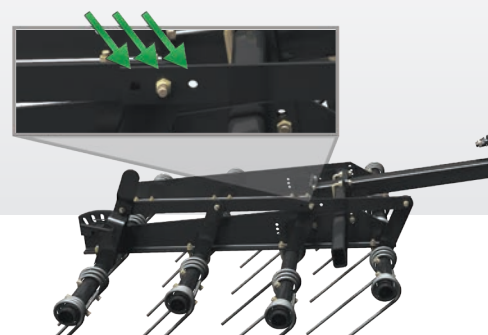
Adjustable Tine Angle

To match any field condition, the tine angle can easily be changed to one of five positions. The rear-mounted lever simply locks into place for quick adjustment.



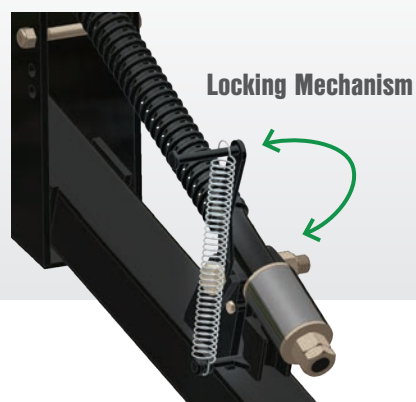
Independently Adjustable Front Tines

The front row of harrow tines can be adjusted to be less or more aggressive than the other rows. Three holes (indicated by arrows in the photo) allow users to make these fine-tune adjustments to fit the desired finish of their field.



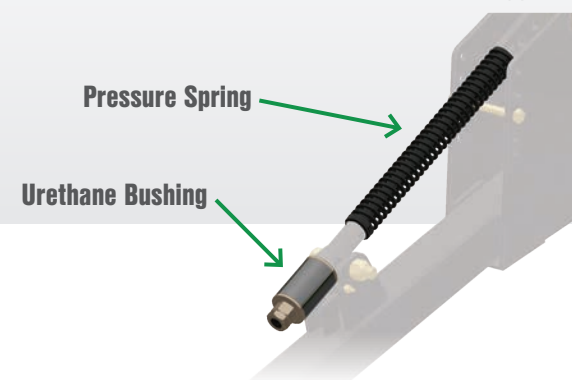
Locking Positions

The mounted harrows can be locked in the "up" position during operation when not needed.



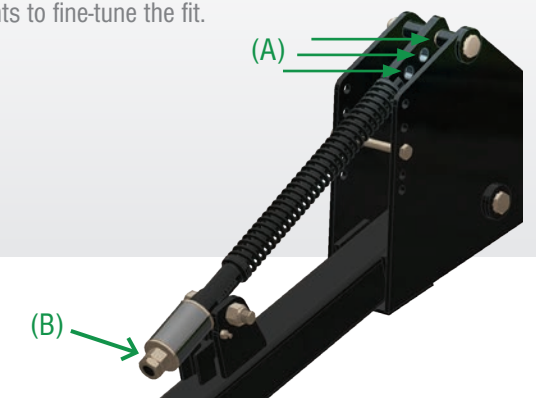
Compression Springs

Heavy-duty pressure springs help the tines achieve optimum soil penetration. The arms are equipped with urethane bushings to absorb shock during transportation. Also a standard feature for mounted rolling baskets and rolling choppers.



Adjustable Arms

The mounted harrow arm can be raised or lowered to the optimal height on any piece of tillage equipment. Three holes (A) at the top of the spring rod allow for height settings, while a nut at the bottom end (B) of the spring rod offers incremental adjustments to fine-tune the fit.



Rolling Baskets

Unlike any other rolling baskets on the market, ours are equipped with patented internally mounted mud scrapers to keep the paddles clean for continuous high performance, even in the wettest conditions. This makes them an ideal option for breaking up clumps, leveling the soil and preparing a seedbed in most operations. Our rolling baskets are designed for use on a variety of tillage implements, and can be used in combination with 3-bar mounted harrows for greater residue management and a smoother field finish.



Mud Scrapers

Rolling baskets come equipped with patented internally mounted mud scrapers, which keep the baskets clean and allow them to move soil properly. They also help prevent damage from heavy mud buildup within the baskets. The scrapers can be easily removed when not needed, although they don't hinder performance in dry conditions.

Diamond Disk with Rolling Baskets

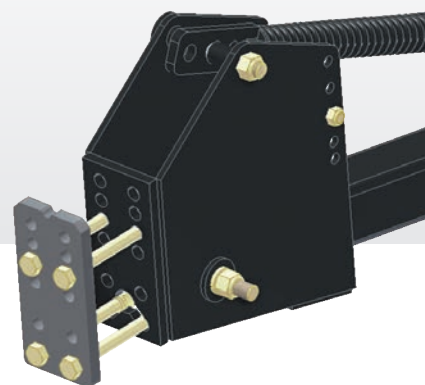
Attachment Arms

The 3-inch square mounting arms are the strongest available. They ensure consistent performance for years to come.



Mounting Flexibility

Multiple sets of holes in the back of the mounting arm ensure a perfect fit to any size frame. This feature is standard on mounted harrows and rolling choppers also.



Sealed Bearings

The 13-inch diameter baskets are equipped with sealed bearings for maintenance free operation and maximum dependability.



The Ideal Match

Get the benefits of rolling basket attachments no matter what tillage equipment you run. Summers mounted rolling baskets can attach to almost any piece of tillage equipment, regardless of manufacturer.



MODELS	RB 1130			
	4'	6'	8'	10'
Weight (Baskets Only)	194	254	387	449
Basket Diameter	13"			
Mounting Arm	3" sq.			
Harrow Combinations	N/A	3-Bar MH 1104		

Rolling Choppers

Rolling Choppers cut through tough residue for better sizing and more complete incorporation. They can be used to offset CO₂ losses while increasing plant germination and producing more uniform stands.



Supercoultter with Rolling Choppers

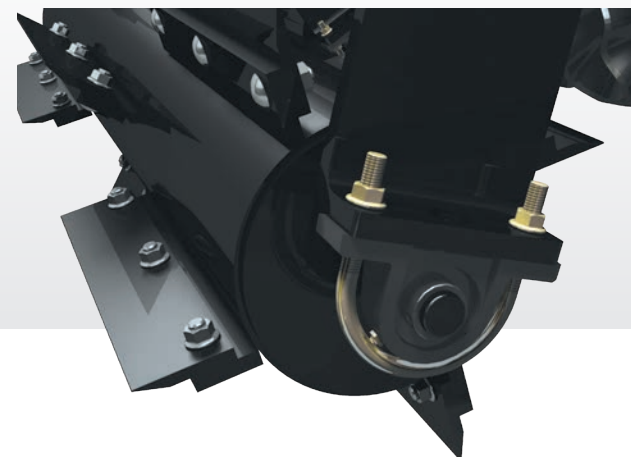
Hardened Blades

The blades of the rolling chopper are 3/8-inch thick by 3 inches deep, and are induction-hardened for durability. They also are easily replaceable, resulting in low maintenance needs.



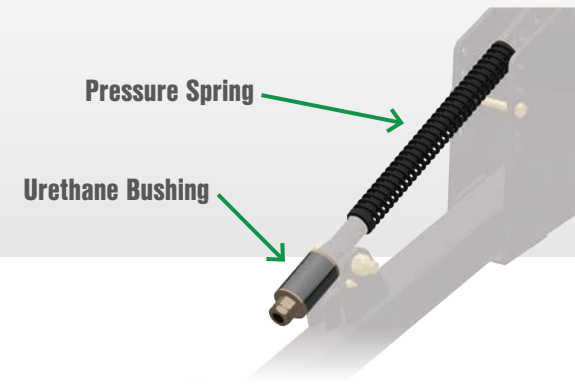
Sealed Bearings

The rolling choppers are equipped with relubricable, triple-lip sealed bearings for maximum dependability.



Compression Springs

Heavy-duty pressure springs help the blades achieve optimum soil penetration for residue incorporation. The arms are also equipped with urethane bushings to absorb shock during transportation.



MODELS	RC 1160		
	4'-2"	5'-3"	7'
Weight (Choppers Only)	350	435	550
Mounting Arm	3" sq.		
# of Blades	12	16	20

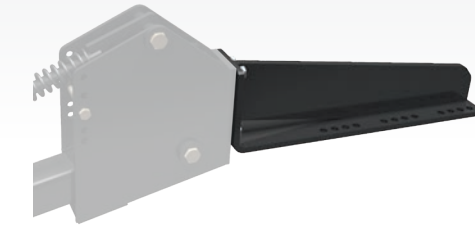
Accessories

We also offer a selection of mounting brackets and extensions to make our mounted attachments highly adaptable to a wide variety of tillage equipment – even implements from other manufacturers. We do this because no one should be without a heavy-duty field finisher from Summers.



Universal Disk Mounting Bracket

This bracket is used for installing Summers attachments on tillage tools with rear-angled frames. The distance from the top of the frame to the bottom of the disk/coulter must be less than 32 inches.



Rolling Baskets Mounted on a John Deere 2700 Disk Ripper



3-bar Harrow Mounted on a DMI Disk Ripper

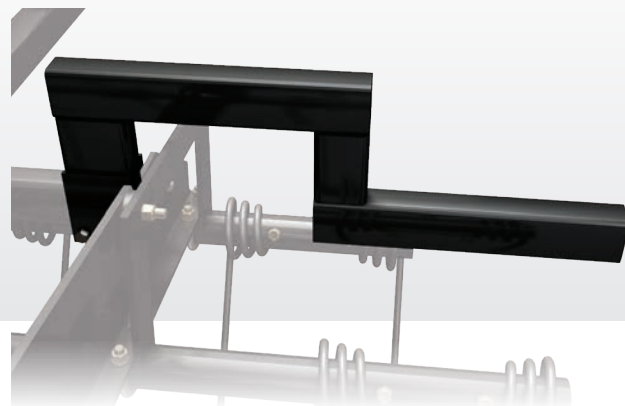


3-bar Harrow Mounted on a Case IH Disk Ripper

Diamond Disk with Rolling Baskets

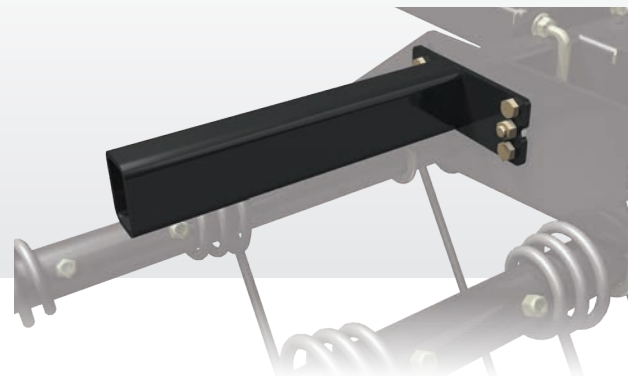
Right-Hand Extension Bracket

This extension bracket is designed to avoid frame interference on the right-hand side of MH1094 mounted harrows.



Left-Hand Extension Bracket

This bracket is used to avoid frame interference on the left-hand side of mounted harrows. It comes standard on 6-foot harrow sections, and optional on 8- and 10-foot sections.



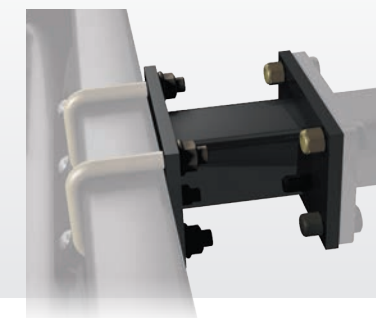
High Clearance Disk Mounting Bracket

Use this mounting bracket to install Summers attachments on high-clearance tillage tools with rear-angled frames, in which the distance from the top of the frame to the bottom of the disk/coulter is greater than 32 inches.



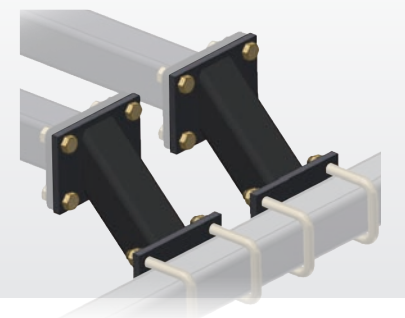
Mounting Arm Extension

Extend the mounting arms 6 inches with this bracket.



Mounting Arm Drop Bracket

The 8-inch drop bracket extends the mounting arm at a 45-degree angle.





See *Field Tested TOUGH!*™ in action!



www.summersmfg.com



Tillage



S-Tine Cultivators/Harrows



Sprayers & Applicators



Land Rollers/Coil Packers



Rock Pickers



Mounted Attachments



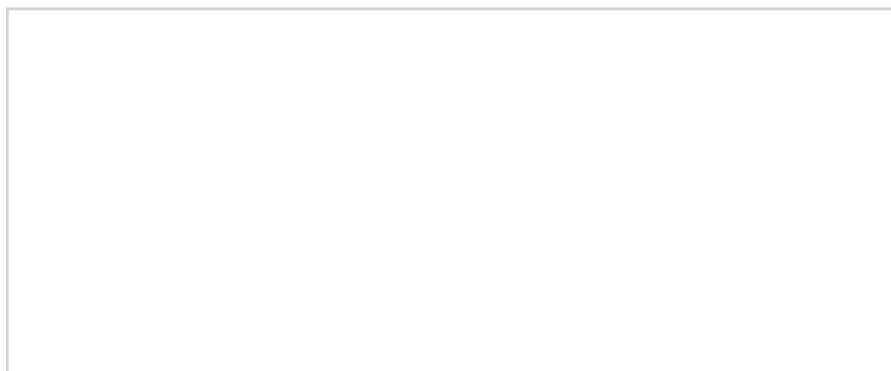
Summers Manufacturing Inc.
103 Summers St NW
Devils Lake, ND 58301

T: 800-732-4392
www.summersmfg.com

Find us on
Facebook
facebook.com/SummersMfg

YouTube
youtube.com/SummersManufacturing

Contact your dealer today!



K-0119-2500