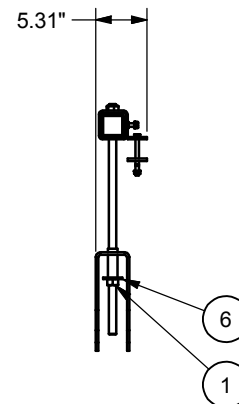
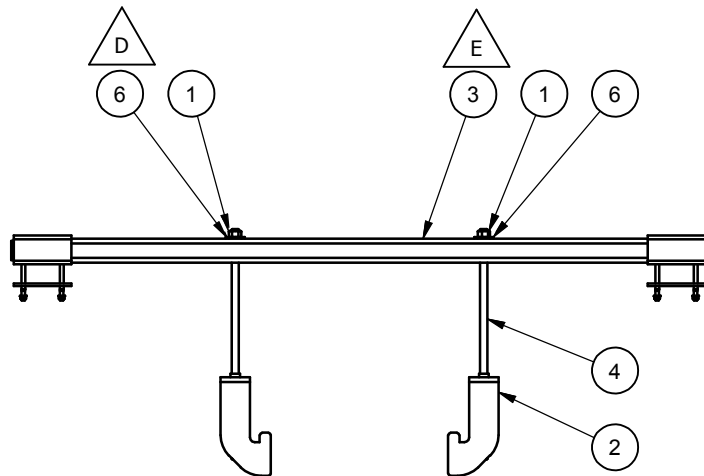
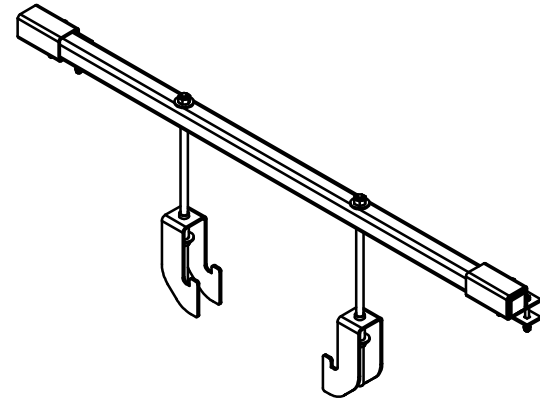
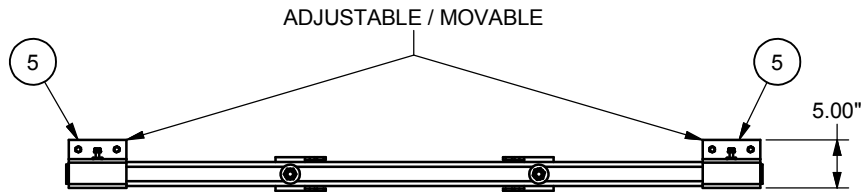


ITEM	QTY	MASS	PART #	DESCRIPTION
1	4	0.139 lbmass	19394	NUT, HEX 3/4-10 UNC Steel, Mild
2	2	5.755 lbmass	38802	HANGER BRACKET UNDER BIN MOUNT RED
3	1	43.140 lbmass	38803	Tube Support Under Bin Mount Red
4	2	3.008 lbmass	27951	HANGER ROD UNDER BIN MOUNT
5	2	5.530 lbmass	38800	SLIDER ASSEMBLED UNDER BIN MOUNT
6	4	0.110 lbmass	13073500012	WASHER FLAT 3/4, ZINC PLATED
7	-	-	N/A	REMOVED PER ECO 31-3511



Tolerances unless otherwise specified:

X/X = ± 0.03	Symbol
.X = ± 0.1	Tolerance
.XX = ± 0.03	t = ± 0.005
.XXX = ± 0.01	⊙ = 0.015
∠ = ± 0.5°	⊥ = 0.015

Dimensions and tolerances shall be interpreted in accordance with ASME Y14.5-2009.

REVISION HISTORY

REV	DESCRIPTION	DATE	DESIGNER
A	RELEASED	3/27/2013	I. P. M.
B	CHANGES ON HANGER BRACKET & ROD	07/25/2013	BP
C	UPDATED PER ECO #1069	9/6/13	DMP
D	REVISED ITEM 6 (ECO# 31-3515)	09/04/20105	RD
E	REVISED ITEM 3, REMOVED ITEM 7 PER ECO 31-3511	09/10/2015	DYA

**MERIDIAN**  
MANUFACTURING GROUP

www.meridianmfg.com		
DRAWN BY: I.P.M.	DRAWN BY DATE: 2013-04-04	SHEET SIZE: A - SIZE
CHECKED BY:	CHECKED BY DATE:	SCALE: REV: 1:20 E

THIS DRAWING IS THE EXCLUSIVE PROPERTY OF MERIDIAN MANUFACTURING GROUP AND MAY NOT BE DUPLICATED BY ANY MEANS WITHOUT THE SPECIFIC PERMISSION FROM AN AUTHORITY OF MERIDIAN MANUFACTURING GROUP

PROJECT NAME: SEED SITE CONVEYORS	MATERIAL: PART WEIGHT: 72.72 lbmass
PART DESCRIPTION: Under Bin Support Cross Tube Style	PART/DRAWING NUMBER: 38801