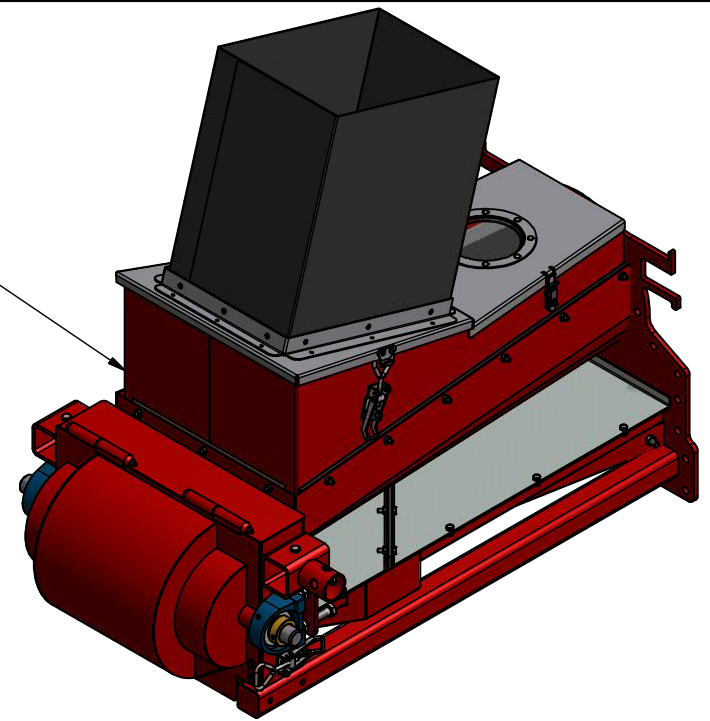
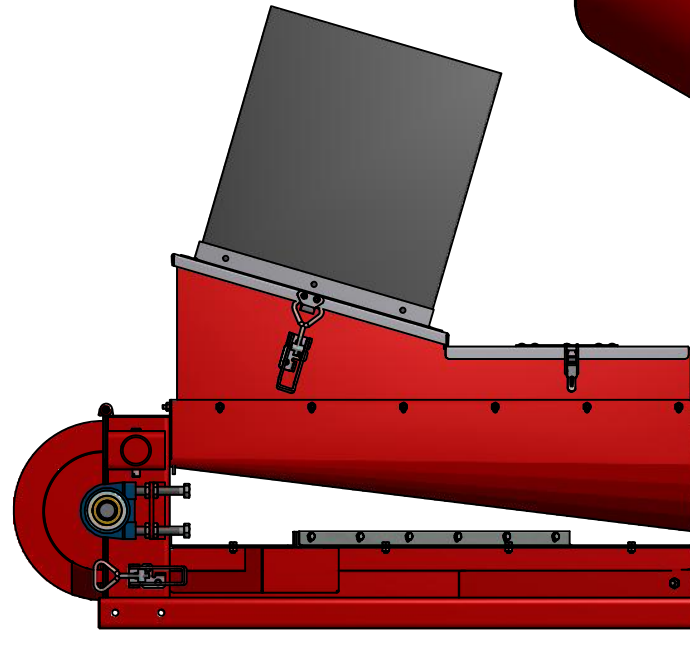
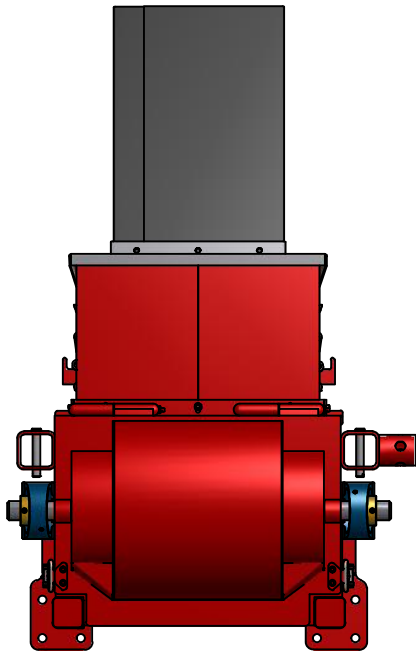



UNDER BIN TO INCLINE CONVEYOR TRANSITION



|   |                              |   |                               |                  |                               |
|---|------------------------------|---|-------------------------------|------------------|-------------------------------|
| <br><a href="http://www.meridianmfg.com">www.meridianmfg.com</a>       |                              | PROJECT/CUSTOMER NAME:<br>SEED SITE CONVEYORS                 |                               |                  |                               |
|   |                              | PART DESCRIPTION:<br>UNDER BIN TO INCLINE CONVEYOR TRANSITION |                               |                  |                               |
| <small>THIS DRAWING IS THE EXCLUSIVE PROPERTY OF MERIDIAN MFG INC. DUPLICATION BY ANY MEANS IS PROHIBITED WITHOUT PERMISSION FROM MERIDIAN MFG INC.</small> |                              | MATERIAL:   |                               | WEIGHT: N/A      |                               |
|   |                              |   |                               | FABRICATION: XXX |                               |
| DRAWN BY:<br>SJP  | DRAWN BY DATE:<br>11/10/2014 | CHECKED BY:   | PART/DRAWING NUMBER:<br>38759 | REV:<br>A        | SCALE:<br>SHEET No:<br>1 OF 1 |