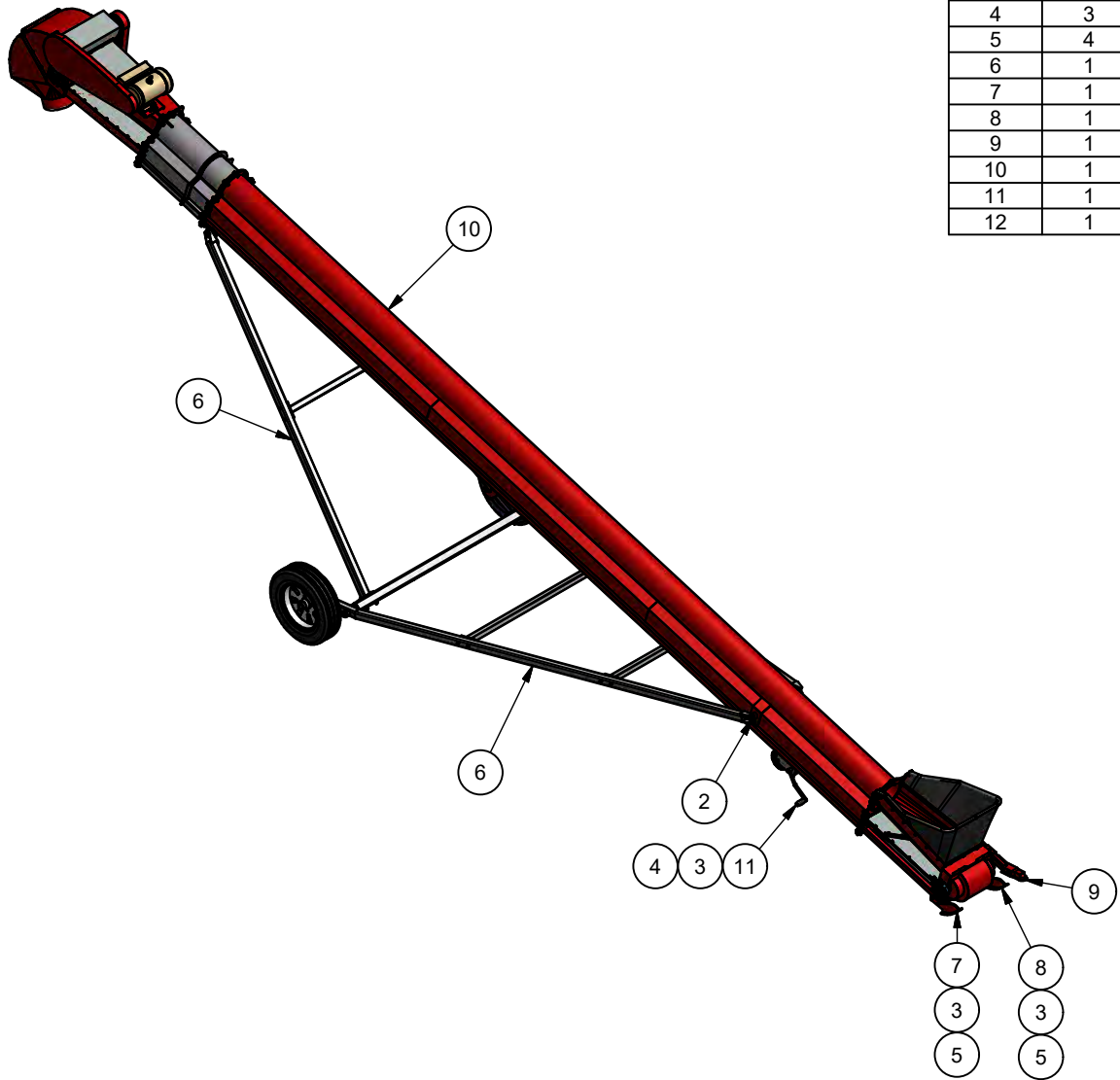


ITEM	QTY	PART #	DESCRIPTION
1	2	13000002433	CABLE CLAMP 5/16IN
2	2	18471	PIN, CLEVIS, 0.375 X 1.5 Steel, Mild
3	7	19564	NUT, HEX, FLANGED, 3/8-16 UNC
4	3	19577	BOLT, HEX, FLANGED, 3/8-16 UNC X 0.75
5	4	19596	BOLT, HEX, 3/8-16 UNC X4
6	1	37589	35FT CONVEYOR ASSEMBLED A-FRAME
7	1	37650	SUPPORT BOOT LEFT RED
8	1	37651	SUPPORT BOOT RIGHT RED
9	1	37654	HITCH TUBE ASSM RED
10	1	37655	TUBE ASSEMBLY 35FT A-FRAME RED
11	1	38587	WINCH CRANK ASSM
12	1	38587-03	WINCH CABLE 35FT CONVEYOR



TOLERANCES UNLESS OTHERWISE SPECIFIED	
.X = +/- .75mm	MATERIAL GUIDE +/- .005mm
.XX = +/- .25mm	HOLE Ø .X +/- .125mm
.XXX = +/- .125mm	HOLE Ø .XX +/- .0125mm
.XXXX = +/- .0125mm	ANGLES +/- .1°

**MERIDIAN**  
MANUFACTURING GROUP

www.meridianmfg.com

DRAWN BY:	DRAWN DATE:	SHEET SIZE:
Juan	7/18/2012	A - SIZE
DETAILED BY:	DETAILED DATE:	SCALE: REV:
JPB	7/18/2012	B

THIS DRAWING IS THE EXCLUSIVE PROPERTY OF MERIDIAN MANUFACTURING GROUP AND MAY NOT BE DUPLICATED BY ANY MEANS WITHOUT THE SPECIFIC PERMISSION FROM AN AUTHORITY OF MERIDIAN MANUFACTURING GROUP

PROJECT NAME:	MATERIAL:
SEED SITE CONVEYORS	PART WEIGHT: 2085.92 lbmass
PART DESCRIPTION:	PART/DRAWING NUMBER:
35FT A-FRAME CONVEYOR ASSY RED	47332

REVISION HISTORY			
REV	DESCRIPTION	DATE	DESIGNER
A	RELEASED	07/18/2012	JPB
B	ADDED WINCH CABLE AND CLAMPS	03/20/2013	SJP