



Husqvarna®



525BX

EN Operator's manual
ES-MX Manual del usuario
FR-CA Manuel d'utilisation

2-15
16-31
32-46

Contents

Introduction.....	2	Troubleshooting.....	11
Safety.....	4	Transportation and storage.....	12
Assembly.....	6	Technical data.....	13
Operation.....	7	Warranty.....	14
Maintenance.....	9		

Introduction

Product description

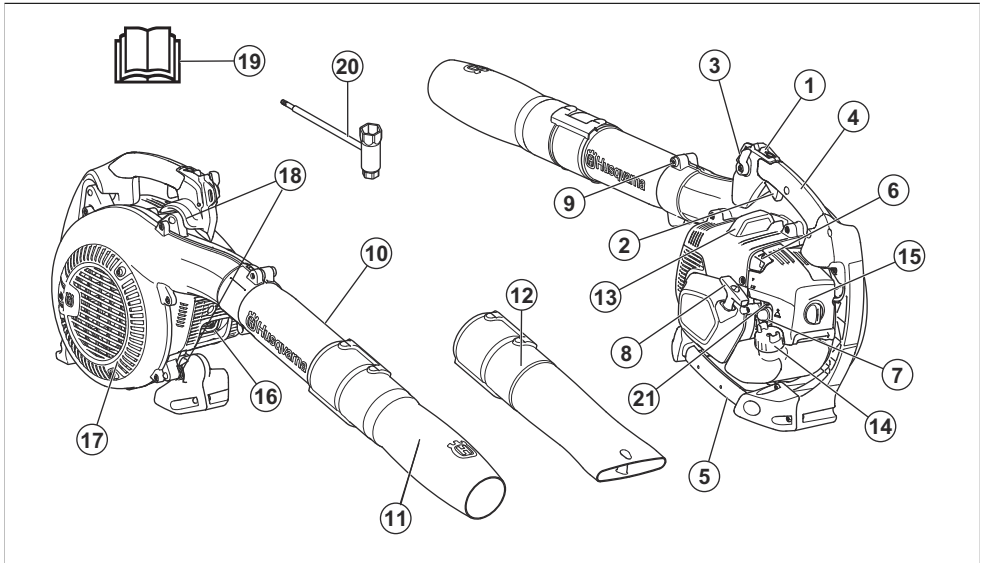
This product is a blower with a fuel engine.

We have a policy of continuous product development and therefore reserve the right to modify the design and appearance of products without prior notice.

Intended use

Use the product to blow leaves and other unwanted material from areas such as lawns, pathways and asphalt roads.

Product overview



- | | |
|------------------------|------------------------------|
| 1. Start/stop switch | 13. Spark plug |
| 2. Throttle trigger | 14. Fuel tank cap |
| 3. Throttle control | 15. Air filter |
| 4. Control handle | 16. Muffler |
| 5. Handle | 17. Air intake screen |
| 6. Choke control | 18. Vibration damping system |
| 7. Primer bulb | 19. Operator's manual |
| 8. Starter rope handle | 20. Combination wrench |
| 9. Clamp screw | 21. Idle speed screw |
| 10. Intermediate pipe | |
| 11. Round nozzle | |
| 12. Flat nozzle | |

Symbols on the product



WARNING! This product can be dangerous and cause serious injury or death to the operator or others. Be careful and use the product correctly.



Read the operator's manual carefully and make sure that you understand the instructions before use.



Use approved hearing protection and approved eye protection. If the environment contains dust, use a breathing mask.



Use approved protective gloves.



Mixture of gasoline and two-stroke oil.



Air purge bulb.



Choke, open position.



Choke, closed position.



Look out for thrown objects. Thrown objects can cause serious injury. Use personal protective equipment.



Keep a safety distance at a minimum of 15 m to persons or animals.

yyyywwxxxx

The rating plate shows the serial number. **yyyy** is the production year and **ww** is the production week.

Note: Other symbols/decals on the product refer to certification requirements for other commercial areas.

EPA III

EMISSION CONTROL INFORMATION	
ECS / SUBSYSTEMS	DISPL.: 60
PUSHVARMA AIR HUKKAVARMA 00000000	
THIS ENGINE MEETS U.S. EPA EXH/EVP REGS FOR <input type="checkbox"/>	
ENGINE FAMILY:	
EMISSION CONTROL SYSTEM: EXH: / EVP:	
COMPLIANCE PERIOD:	
MANUFACTURED:	
CAN ICES-002/NMB-002	

The Emissions Compliance Period referred to on the Emission Compliance label indicates the number of operating hours for which the engine has been shown to meet Federal emissions requirement. Maintenance, replacement or repair of the emission control devices and system may be performed by any nonroad engine repair establishment or individual.

EMISSION CONTROL LABEL ABBREVIATIONS

General:

DISPL	Displacement	EVAP	Evaporative	REGS	Regulations
ECS	Emission control system	HRS	Hours	US EPA	United States Environmental Protection Agency
EXH/EVP	Exhaust and Evaporative				

Exhaust emission control system:			
ECM	Engine control module (Autotune)	OC	Oxidizing Catalyst
EM	Engine modification	TWC	Three way catalyst

Exhaust emission control system:			
C	Coextruded (Multilayer)	P	Treated HDPE or PE
N	Nylon	S	Sealed

Product damage

We are not responsible for damages to our product if:

- the product is incorrectly repaired.
- the product is repaired with parts that are not from the manufacturer or not approved by the manufacturer.
- the product has an accessory that is not from the manufacturer or not approved by the manufacturer.
- the product is not repaired at an approved service center or by an approved authority.

Safety

Safety definitions

The definitions below give the level of severity for each signal word.



WARNING: Injury to persons.



CAUTION: Damage to the product.

Note: This information makes the product easier to use.

General safety instructions



WARNING: Read the warning instructions that follow before you use the product.

- Do not do changes to the product without approval from the manufacturer and always use original accessories. Modifications and/or accessories that are not approved can result in serious injury or the death of the operator or others.
- Do not use a damaged product. Do the safety checks and maintenance given in this operator's manual. All other maintenance must be done by approved servicing personnel.

- All servicing and repair operations must be done by approved servicing personnel. If a part of the product is damaged, speak to your servicing dealer.

Safety instructions for operation



WARNING: Read the warning instructions that follow before you use the product.

- This product can be dangerous and cause serious injury or death to the operator or others. Be careful and use the product correctly.
- Do an inspection of the product before use. Refer to *Maintenance schedule on page 9*.
- Do not operate the product when you are tired, ill or under the influence of alcohol or other drugs that can decrease your vision, judgment or coordination.
- Install all covers and guards before use. To prevent electrical shock, make sure that the spark plug cap and ignition cable are not damaged.
- Do not touch the spark plug or ignition cable when the engine is on.
- Keep a safety distance at a minimum of 15 m to persons or animals. If persons, children or animals come nearer than 15 m, stop the product. Point the product away from persons, animals, open windows and other objects.
- Do not let children operate the product. Make sure that all operators read and understand the contents of this operator's manual.

- Keep hands or other objects away from the blower housing during operation. Rotating parts can cause serious injury.
- Do not use the product if the air intake screen is not installed. Always make sure that the air intake screen is installed and not damaged before use.
- If an emergency occurs, release the waist belt and chest belt of the harness and let the product fall.
- Obey national regulations and directives.
- Keep all body parts away from hot surfaces.
- Too much vibration can cause damage to the circulation or the nervous system. Speak to your physician if you have symptoms, for example numbness, loss of feeling, tingling, pricking, pain, loss of strength or changes in skin color in your fingers, hands or wrists.
- Look out for thrown objects. Thrown objects can cause serious injury.
- Do not use the product in bad weather, for example fog, rain, strong winds and too cold environments. To do work in bad weather can cause tiredness and dangerous conditions.
- Make sure that you can move and keep a stable position. Do a check of the work area for possible obstacles, for example rocks. Be careful if you operate the product on a slope.
- Do not put the product on the ground with the engine on.
- Do not operate the product from high positions, for example on a ladder.
- Make sure that you can always be heard if an accident occurs.
- Make sure that the exhaust fume outlet is not blocked. To prevent damage to the product, keep obstacles at a minimum distance of 50 cm from the exhaust fume outlet.
- Do not start the product indoors, in bad airflow or near flammable material. The engine exhaust fumes contain carbon monoxide, which can cause carbon monoxide poisoning. The engine exhaust fumes are hot and can contain sparks which can start a fire.

Personal protective equipment



WARNING: Read the warning instructions that follow before you use the product.

- Use approved personal protective equipment when you use the product. Personal protective equipment cannot fully prevent injury but it can decrease the degree of injury. Speak to your dealer for more information.
- Use approved hearing protection. Long-term exposure to noise can result in permanent hearing damage.
- Use approved eye protection. If you use a visor, you must also use approved protective goggles. Approved protective goggles must agree with the

ANSI Z87.1 standard in the USA or EN 166 in EU countries.

- Use protective gloves during operation and maintenance.
- Use protective boots or shoes with non-slip soles.
- Use clothing of strong fabric and of full length. Do not use jewelry or open shoes. To decrease the risk on injury, your clothing must be close-fitting but not limit your movements. Put your hair above your shoulders to prevent that your hair enters rotating parts or catches on branches.
- Use breathing protection when there is a risk of dust.
- Keep first aid equipment near.

Safety devices on the product



WARNING: Read the warning instructions that follow before you use the product.

- Do not use a product with safety devices that are damaged or do not operate correctly.
- Do a check of the safety devices regularly. Refer to *Maintenance schedule on page 9*.
- If the safety devices are damaged or do not operate correctly, speak to your Husqvarna servicing dealer.

To do a check of the muffler



WARNING: Do not use a product with a defective muffler.



WARNING: The muffler becomes very hot during and after operation, also at idle speed. Use protective gloves to prevent burn injuries.



WARNING: The inner side of the muffler contains chemicals that may be carcinogenic. Do not touch the muffler if it is damaged.

- Regularly do a visual check of the muffler. The muffler keeps noise levels to a minimum and sends exhaust fumes away from the operator. Refer to *To do maintenance on the muffler on page 10*.

To do a check of the vibration damping system

1. Make sure that there are no cracks or deformation on the vibration damping units.
2. Make sure that the vibration damping units are correctly attached to the engine unit and handle unit.

Refer to *Product overview on page 2* for information about where the vibration damping system is on your product.

To do a check of the start/stop switch

1. Use the start/stop switch to stop the engine.
2. Make sure that the engine stops fully.

To see where the start/stop switch is on your product, refer to *Product overview on page 2*.

Fuel safety



WARNING: Read the warning instructions that follow before you use the product.

- Do not mix or add the fuel indoors or near a heat source.
- Do not start the product if there is fuel or oil on the product or on your body.
- Do not start the product if the engine has a fuel leak. Examine the engine for fuel leaks regularly.
- Always be careful with fuel. Fuel is flammable and the fuel fumes are explosive and can cause serious injury or death.
- Do not breathe in the fuel fumes, it can cause injury. Make sure that there is a sufficient airflow.

- Do not smoke near the fuel or the engine.
- Do not put the product or a fuel container near warm objects, an open flame, a spark or a pilot light.
- Always use approved containers for storage and transportation of fuel.

Safety instructions for maintenance



WARNING: Read the warning instructions that follow before you use the product.

- Stop the engine, remove the spark plug and let the engine become cool before maintenance and assembly.
- A blocked spark arrestor screen causes the engine to become too hot which causes damage to the engine.
- If the spark arrestor screen is frequently blocked, it can be a sign that performance of the catalytic converter is decreased. Speak to your servicing dealer to examine the muffler.

Assembly

Introduction

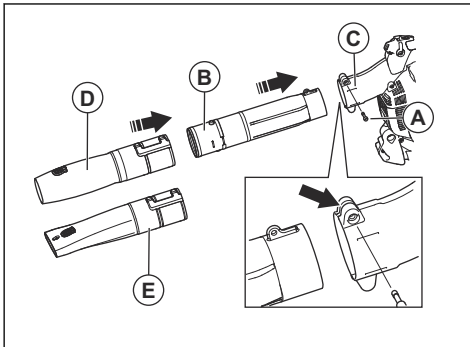


WARNING: Read and understand the safety chapter before you assemble the product.

2. Install the intermediate pipe (B) to the blower pipe (C).
3. Install and tighten the clamp screw (A).
4. Install the round nozzle (D) or the flat nozzle (E) to the intermediate pipe.

To assemble the blower pipe

1. Loosen the clamp screw (A).



Operation

Introduction



WARNING: Read and understand the safety chapter before you use the product.

Fuel

This product has a two-stroke engine.



CAUTION: Incorrect type of fuel can result in engine damage. Use a mixture of gasoline and two-stroke oil.

Premixed fuel

- Use Husqvarna premixed alkylate fuel for best performance and extension of the engine life. This fuel contains less harmful chemicals compared to regular fuel, which decreases harmful exhaust fumes. The quantity of remains after combustion is lower with this fuel, which keeps the components of the engine more clean.

To mix fuel

Gasoline

- Use good quality unleaded gasoline with a maximum of 10% ethanol contents.



CAUTION: Do not use gasoline with an octane grade less than 90 RON/87 AKI. Use of a lower octane grade can cause engine knocking, which causes engine damages.

Two-stroke oil

- For best results and performance use Husqvarna two-stroke oil.
- If Husqvarna two-stroke oil is not available, use a two-stroke oil of good quality for air-cooled engines. Speak to your servicing dealer to select the correct oil.



CAUTION: Do not use two-stroke oil for water-cooled outboard engines, also referred to as outboard oil. Do not use oil for four-stroke engines.

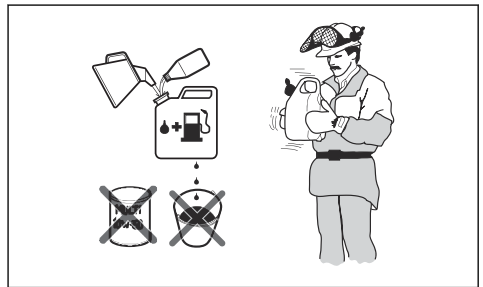
To mix gasoline and two-stroke oil

Gasoline, liter	Two-stroke oil, liter
	2% (50:1)

5	0.10
10	0.20
15	0.30
20	0.40
US gallon	US fl. oz.
1	2 ½
2 1/2	6 ½
5	12 ½



CAUTION: Small errors can influence the ratio of the mixture drastically when you mix small quantities of fuel. Measure the quantity of oil carefully and make sure that you get the correct mixture.



- Fill half the quantity of gasoline in a clean container for fuel.
- Add the full quantity of oil.
- Shake the fuel mixture.
- Add the remaining quantity of gasoline to the container.
- Carefully shake the fuel mixture.



CAUTION: Do not mix fuel for more than 1 month at a time.

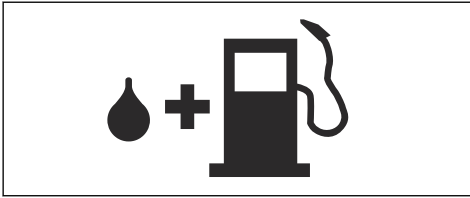
To fill the fuel tank



WARNING: Obey the procedure that follows for your safety.

- Stop the engine and let the engine become cool.

2. Clean the area around the fuel tank cap.



3. Shake the container and make sure that the fuel is fully mixed.
4. Remove the fuel tank cap slowly to release the pressure.
5. Fill the fuel tank.



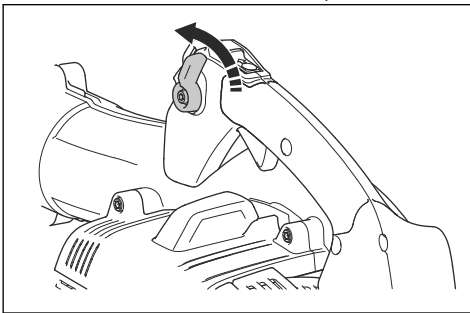
CAUTION: Make sure that there is not too much fuel in the fuel tank. The fuel expands when it becomes hot.

6. Tighten the fuel tank cap carefully.
7. Clean fuel spillage on and around the product.
8. Move the product 3 m/10 ft or more away from the refueling area and fuel source before you start the engine.

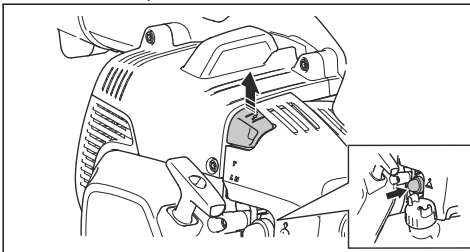
Note: To see where the fuel tank is on your product, refer to *Introduction on page 2*.

To start the product

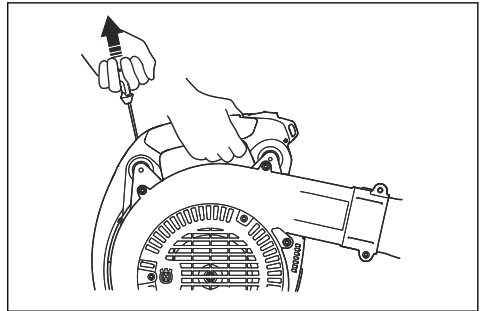
1. Move the throttle control to the idle position.



2. If the engine is cold push the choke control to the closed choke position.



3. Push the air purge bulb again and again until fuel starts to fill the air purge bulb. It is not necessary to fill the air purge bulb fully.
4. Put the product on a flat surface on the ground.
5. Hold the product with the right hand.



CAUTION: Do not use your feet to hold the product.

6. Pull the starter rope handle slowly until resistance occurs.
7. Pull the starter rope handle quickly with the left hand. Pull the starter rope handle again and again until the engine starts.

Note: Do not pull the starter rope handle to full extension and do not let go of the starter rope handle.

8. If the engine is cold set the choke control to the open position.
9. If the engine is cold let the engine operate for 2-3 minutes to become warm before operation.



WARNING: Air is released when the engine is started and when the product is set at idle speed. Do not let persons to come near the product or the blower pipe.

To operate the product

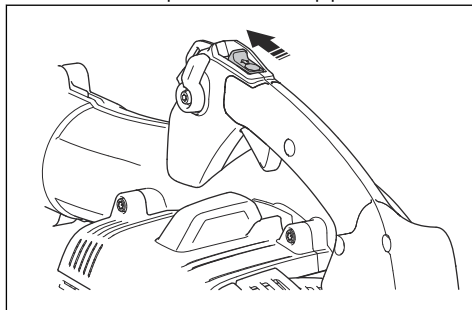
- Operate the product at usual work hours. Obey local regulations.
- Decrease the pieces of equipment and select the correct speed for your task. Use the throttle at lowest position possible to prevent more noise and dust than necessary.
- Keep the blower nozzle near the ground.

Note: Husqvarna recommends that you use the full blower nozzle extension.

- Make a note of the wind direction and operate the product in the direction of the wind.

- Use applicable garden tools to release material from the ground.
- In areas with dust, use spray equipment to wet the area. This decreases the operation time.
- After operation, keep the product in storage vertically.

- Put the start/stop switch in the stop position.



To stop the engine



CAUTION: Do not stop the product at full speed.

Maintenance

Introduction



WARNING: Read and understand the safety chapter before you do maintenance on the product.

Maintenance schedule

Maintenance	Daily	Weekly	Monthly
Clean the external surfaces.	X		
Make sure that the throttle control operates correctly.	X		
Make sure that the start/stop switch operates correctly. Refer to <i>To do a check of the start/stop switch on page 6.</i>	X		
Examine the engine, the fuel tank and the fuel lines for leaks. Examine the fuel filter for contamination. Replace the fuel filter if it is necessary.	X		
Clean the air filter. Replace the air filter if it is necessary.	X		
Tighten nuts and screws.	X		
Examine the air intake and make sure that it is not blocked.	X		
Examine the starter and the starter rope for damages.		X	
Examine the vibration damping units for damages, cracks and deformation. Make sure that the vibration damping units are correctly installed.		X	
Examine the spark plug. Refer to <i>To do a check of the spark plug on page 10.</i>		X	
Clean the cooling system.		X	
Clean the external surface of the carburetor and the area around it.		X	
Clean the fuel tank.			X
Examine all cables and connections.			X
Examine and clean the spark arrestor screen on the muffler (for products without catalytic converter).		X	

Maintenance	Daily	Weekly	Monthly
Examine and clean the spark arrestor screen on the muffler (for products with catalytic converter).			X
Replace the spark plug. Replace if it is necessary.			X

To adjust the idle speed

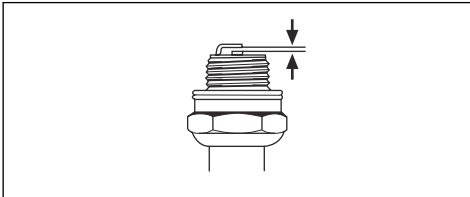
1. Make sure that the air filter is clean and that the air filter cover is attached.
2. Adjust the idle speed with the idle speed screw. To see where the idle speed screw is on your product, refer to *Product overview on page 2*.

To do a check of the spark plug



CAUTION: Use the recommended spark plug. Refer to *To do a check of the spark plug on page 10*. An incorrect spark plug can cause damage to the product.

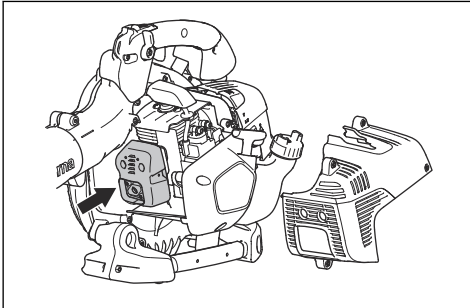
1. Stop the engine and let the product become cool.
2. Clean the spark plug if it is dirty.
3. Make sure that the electrode gap is correct. Refer to .



4. Replace the spark plug monthly or more frequently if it is necessary.

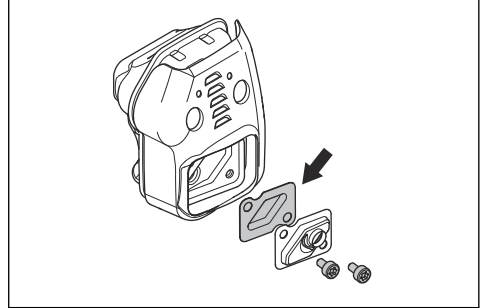
To do maintenance on the muffler

1. Stop the engine and let the muffler become cool. Use protective gloves.



2. Remove the muffler cover.

3. Do a visual check. Replace the spark arrestor screen if it is damaged.



To examine and clean the cooling system

The cooling system includes the cooling fins on the cylinder and the air intake screen.

1. Stop the engine.
2. Make sure that the cooling system is not dirty or blocked. If it is necessary, clean the air intake screen and cooling fins.



CAUTION: A dirty or blocked cooling system can increase the temperature of the engine and cause damage to the product. A clogged air intake screen decreases the blow force.

3. Examine the cooling system for damages. Make sure that the parts are attached correctly to the product.

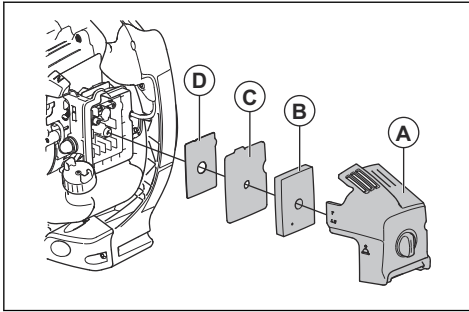
To clean the air filter



CAUTION: Do not use a product without an air filter or with a damaged air filter. Dust in the air can cause damage to the engine.

1. Push the choke control to the closed choke position.

2. Remove the air filter cover (A).



3. Remove the air filter (B) from the filter frame.

4. Clean the air filter (B) with warm water and soap.

Note: An air filter that has been used for a long time cannot be fully cleaned. Replace the air filter regularly and always replace a defective air filter.

5. Clean the inner surface of the air filter cover (A) with a brush.

6. Remove and replace the felt filter (C) if it is dirty.

7. Install the screen (D), the felt filter (C) and the air filter (B).

8. Install the air filter cover (A) to the product.

Troubleshooting

The engine is not possible to start		
Check	Possible cause	Solution
Stop button.	Stop position	Set the stop switch to the start position.
Starter pawl/s.	Blocked or worn starter pawl/s.	Adjust or replace the starter pawl/s.
		Clean around the starter pawl/s.
		Speak to an approved servicing dealer.
Fuel tank.	Incorrect fuel type.	Drain the fuel tank and use correct fuel.
Carburetor.	Adjustment of the idle speed.	Adjust the idle speed with the idle adjustment screw.
Spark (no spark).	Spark plug dirty or wet.	Make sure that the spark plug is dry and clean.
	Electrode gap on the spark plug is incorrect.	Clean the spark plug. Make sure that the electrode gap is correct. Make sure that the spark plug is installed with a suppressor.
		Refer to technical data for the correct electrode gap.
Spark plug.	Spark plug is loose.	Tighten the spark plug.
	There is unwanted material on the spark plug electrodes.	Make sure that the fuel mixture is correct.
		Make sure that the air filter is clean.

Engine starts but stops again		
Check	Possible cause	Solution
Fuel tank.	Incorrect fuel type.	Drain it and use the correct fuel.
Carburetor.	Engine will not operate correctly at idle speed.	Speak to your servicing dealer.
Air filter.	Clogged air filter.	Clean the air filter.

Transportation and storage



WARNING: To prevent the risk of fire, make sure that there are no leaks or fumes during transportation or storage. Make sure that there is no risk of sparks or fire.

- Empty the fuel tank before transportation or long-term storage. Push the air purge bulb to make sure that all fuel is removed. Discard the fuel at an applicable disposal location.
- Make sure that the product is clean and that a full servicing is done before long-term storage.
- Remove the spark plug and put approximately 15 ml of two-stroke oil into the cylinder. Turn the product 3 times and install the spark plug again.
- Attach the product safely to the vehicle during transportation.
- Keep the product in a dry, cool and clean space with good airflow. Keep the product away from children.

Technical data

Technical data

	Husqvarna 525BX
Engine	
Cylinder displacement, cm ³	25.4
Idle speed, rpm	3000
Catalytic converter	Yes
Ignition system	
Spark plug	NGK BPMR8Y
Electrode gap, mm / in	0.6-0.7 / 0.024-0.028
Fuel and lubrication system	
Fuel tank capacity, l / US pint	0.45 / 0.95
Weight	
Weight without fuel, kg / lb	4.4 / 9.7
Fan performance	
Max. air velocity with round nozzle, m/s	70
Max. air velocity with flat nozzle, m/s	86
Air flow with round nozzle, m ³ /min	13
Air flow with flat nozzle, m ³ /min	10

Warranty

U.S. FEDERAL, AND CANADA EXHAUST AND EVAPORATIVE EMISSIONS CONTROL WARRANTY STATEMENT

YOUR WARRANTY RIGHTS AND OBLIGATIONS

The U.S. Environmental Protection Agency (EPA), Environment and Climate Change Canada and Husqvarna Professional Products, Inc. are pleased to explain the exhaust and evaporative emissions ("emissions") control system warranty on your 2012 and later small off-road engine. In U.S. and Canada, new equipment that use small off-road engines must be designed, built, and equipped to meet State's stringent anti-smog standards. Husqvarna Professional Products, Inc. must warrant the emissions control system on your small off-road engine for the periods of time listed below provided there has been no abuse, neglect or improper maintenance of your small off-road engine or equipment leading to the failure of the emissions control system. Your emissions control system may include parts such as the carburetor or fuel injection system, the ignition system, catalytic convertor, fuel tanks, fuel lines (for liquid fuel and fuel vapors), fuel caps, valves, canisters, filters, clamps and other associated components. Also included may be hoses, belts, connectors, and other emission-related assemblies. Where a warrantable condition exists, Husqvarna Professional Products, Inc. will repair your small off-road engine at no cost to you including diagnosis, parts and labor.

MANUFACTURER'S WARRANTY COVERAGE

The exhaust and evaporative emissions control system on your small off-road engine is warranted for two years. If any emissions-related part on your small off-road engine is defective, the part will be repaired or replaced by Husqvarna Professional Products, Inc..

OWNER'S WARRANTY RESPONSIBILITIES

- As the small off-road engine owner, you are responsible for performance of the required maintenance listed in your owner's manual. Husqvarna Professional Products, Inc. recommends that you retain all receipts covering maintenance on your small off-road engine, but Husqvarna Professional Products, Inc. cannot deny warranty coverage solely for the lack of receipts or for your failure to ensure the performance of all scheduled maintenance.
- As the small off-road engine owner, you should however be aware that Husqvarna Professional Products, Inc. may deny you warranty coverage if your small off-road engine or a part has failed due to abuse, neglect, or improper maintenance or unapproved modifications.

- You are responsible for presenting your small off-road engine to a Husqvarna Professional Products, Inc. authorized servicing dealer as soon as the problem exists. The warranty repairs shall be completed in a reasonable amount of time, not to exceed 30 days. If you have any questions regarding your warranty rights and responsibilities, you should contact Husqvarna Professional Products, Inc. in USA at 1-800-487-5951, in CANADA at 1-800-805-5523 or send e-mail correspondence to emissions@husqvarnagroup.com or warranty@hpp-emissions.com.

WARRANTY COMMENCEMENT DATE

The warranty period begins on the date the engine or equipment is delivered to an ultimate purchaser.

LENGTH OF COVERAGE

Husqvarna Professional Products, Inc. warrants to the ultimate purchaser and each subsequent owner that the engine or equipment is designed, built, and equipped so as to conform with all applicable regulations adopted by EPA, and is free from defects in materials and workmanship that causes the failure of a warranted part for a period of two years.

WHAT IS COVERED

REPAIR OR REPLACEMENT OF PARTS: Repair or replacement of any defective warranted part will be performed at no charge to you at a brand authorized servicing dealer. Except for repairs and replacement under this Emission Control Warranty, you may choose a repair shop or other person to maintain, replace or repair emission control devices and systems. However, Husqvarna Professional Products, Inc. recommends that all maintenance, replacement and repairs of emission control devices and systems be performed by a brand authorized servicing dealer.

IMPORTANT: This product is compliant with U.S. EPA Phase 3 regulations for exhaust and evaporative emissions. To ensure EPA Phase 3, and Climate Change Canada regulation, we recommend using only genuine product branded replacement parts. Use of non-compliant replacement parts is a violation of federal and state laws.

WARRANTY PERIOD: Any warranted part which is not scheduled for replacement as required maintenance, or which is scheduled only for regular inspection to the effect of "repair or replace as necessary" is warranted for 2 years (or time defined in the product warranty statement, whichever is longer) from the date of purchase by the initial consumer purchaser. Any warranted part which is scheduled for replacement as required maintenance is warranted for the period of the time up to the first scheduled replacement for that part.

Any part repaired or replaced under the warranty must be warranted for the remaining warranty period.

DIAGNOSIS: You will not be charged for diagnostic labor that leads to the determination that a warranted part is in fact defective, provided that such diagnostic work is performed at a brand authorized servicing dealer.

OTHER DAMAGES: Husqvarna Professional Products, Inc. will repair other engine components caused by the failure of a warranted part still under warranty.

EMISSION WARRANTY PARTS LIST

1. Carburetor and intake parts or fuel injection system.
2. Air filter and fuel filter covered up to maintenance schedule.
3. Spark Plug, covered up to maintenance schedule.
4. Ignition Module.
5. Mufflers with catalyst and exhaust manifolds.
6. Fuel tank, fuel lines (for liquid fuel and fuel vapors), fuel cap, carbon canister and tip-over/anti-slosh valves as applicable.*
7. Electronic Controls, Vacuum, temperature, and time sensitive valves and switches.
8. Hoses, connectors, and assemblies.
9. All other components the failure of which would increase the engine's exhaust and evaporative emissions of any regulated pollutant as set forth at the following:
 - For U.S. and Canada see US Federal Code of Regulations, 40 C.F.R 1068 Appendix I (iii).

WHAT IS NOT COVERED

All failures caused by abuse, neglect, unapproved modifications, misuse or improper maintenance are not covered.

ADD -ON OR MODIFIED PARTS: Add-on or modified parts that are not exempted by EPA may not be used. The use of any non-exempted add-on or modified parts will be grounds for disallowing a warranty claim. Husqvarna Professional Products, Inc. will not be liable to warrant failures of warranted parts caused by the use of a non-exempted add-on or modified part.

HOW TO FILE A CLAIM

If you have any questions regarding your warranty rights and responsibilities, you should contact your nearest authorized servicing dealer or call Husqvarna Professional Products, Inc. in USA at 1-800-487-5951, in CANADA at 1-800-805-5523 or send e-mail correspondence to emissions@husqvarnagroup.com or warranty@hpp-emissions.com.

WHERE TO GET WARRANTY SERVICE

Warranty services or repairs are provided through all Husqvarna Professional Products, Inc. authorized servicing dealers. If the nearest authorized servicing dealer is more than 100 miles from your location,

Husqvarna Professional Products, Inc. will arrange and pay for the shipping costs to and from a brand authorized servicing dealer or otherwise arrange for warranty service in accordance with applicable regulations.

MAINTENANCE, REPLACEMENT AND REPAIR OF EMISSION-RELATED PARTS

Any replacement part may be used in the performance of any warranty maintenance or repairs and must be provided without charge to the owner. Such use will not reduce the warranty obligations of the manufacturer.

MAINTENANCE STATEMENT

The owner is responsible for the performance of all required maintenance, as defined in the owner's manual.

* Evaporative emission parts.

Contenido

Introducción.....	16	Solución de problemas.....	26
Seguridad.....	18	Transporte y almacenamiento.....	27
Montaje.....	21	Datos técnicos.....	28
Funcionamiento.....	21	Garantía.....	29
Mantenimiento.....	24		

Introducción

Descripción del producto

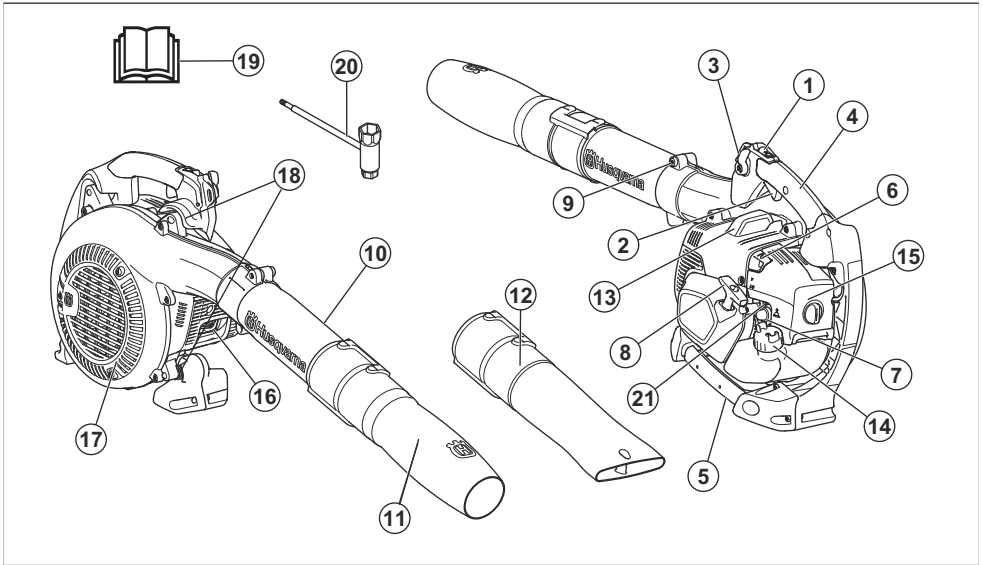
Este producto es un soplador de hojas con motor de combustible.

Tenemos una política de desarrollo continuo de productos y, por lo tanto, se reserva el derecho de modificar el diseño y el aspecto de los productos sin previo aviso.

Uso específico

Utilice el producto para soplar hojas y otros materiales no deseados de zonas como césped, senderos y caminos de asfalto.

Descripción general del producto



1. Interruptor START/STOP
2. Acelerador
3. Control del acelerador
4. Mango de control
5. Manilla
6. Estrangulador
7. Pera de cebado
8. Empuñadura de la cuerda de arranque
9. Tornillo de fijación
10. Tubo intermedio
11. Boquilla redonda
12. Boquilla plana
13. Bujía
14. Tapa del depósito de combustible
15. Filtro de aire
16. Silenciador
17. Rejilla de aspiración de aire
18. Sistema amortiguador de vibraciones
19. Manual de usuario
20. Llave combinada

21. Tornillo de ralentí

Símbolos en el producto



ADVERTENCIA: Este producto puede ser peligroso y provocar daños graves o fatales al operador o a otras personas. Tenga cuidado y utilice el producto correctamente.



Lea atentamente el manual de instrucciones y asegúrese de que entiende las instrucciones antes de usar el producto.



Utilice protectores auriculares y oculares aprobados. Si el ambiente contiene polvo, utilice una máscara respiratoria.



Use guantes protectores homologados.



Utilice una mezcla de gasolina y de aceite para motores de dos tiempos.



Bulbo de la purga de aire.



Estrangulador, posición abierta.



Posición cerrada de estrangulamiento.



Esté atento a que no salgan objetos despedidos. Los objetos despedidos pueden causar daños graves. Utilice el equipo de protección personal.



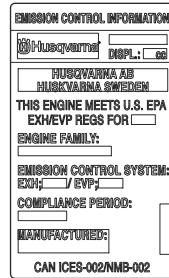
Mantenga una distancia de seguridad de un mínimo de 15 m para personas o animales.

aaaassxxxx

La placa de características muestra el número de serie. **aaaa** es el año de producción y **ss** es la semana de producción.

Tenga en cuenta: Otros símbolos o etiquetas del producto hacen referencia a requisitos de certificación para otras zonas comerciales.

EPA III



El período de cumplimiento de emisiones al que se hace referencia en la etiqueta de cumplimiento de emisiones indica la cantidad de horas de funcionamiento para la que se ha demostrado que el motor cumple el requisito de emisiones federales. El mantenimiento, reemplazo o reparación de los dispositivos y sistemas de control de emisiones puede realizarlo cualquier establecimiento o persona de que repare motores para uso fuera de carretera.

ABREVIATURAS DE LA ETIQUETA DE CONTROL DE EMISIONES

Información general:

DISPL	Desplazamiento	EVAP	Evaporación	REGS	Normativas
-------	----------------	------	-------------	------	------------

ABREVIATURAS DE LA ETIQUETA DE CONTROL DE EMISIONES

Información general:

ECS	Sistema de control de emisiones	HRS	Horas	US EPA	Agencia de Protección Ambiental de Estados Unidos
EXH/EVP	Escape y evaporación				

Sistema de control de emisiones de escape:

ECM	Módulo de control del motor (afinación automática)	OC	Catalizador oxidante
EM	Modificación del motor	TWC	Catalizador de tres vías

Sistema de control de emisiones de escape:

C	Coextrusionado (multicapa)	P	HDPE o PE tratados
N	Nailon	S	Sellado

Daños en el producto

No somos responsables de los daños a nuestro producto en los siguientes casos:

- el producto se repara incorrectamente
- el producto se repara con piezas que no son del fabricante o que este no autoriza

- el producto tiene un accesorio que no es del fabricante o que este no autoriza
- el producto no se repara en un centro de servicio autorizado o por una autoridad aprobada.

Seguridad

Definiciones de seguridad

Las siguientes definiciones proporcionan el nivel de gravedad de cada palabra clave.



ADVERTENCIA: Lesiones a personas.



AVISO: Daños en el producto.

Tenga en cuenta: Esta información hace que el producto sea más fácil de usar.

Instrucciones generales de seguridad



ADVERTENCIA: Lea estas instrucciones de advertencia antes de usar el producto.

- No realice cambios en el producto sin la aprobación del fabricante y siempre utilice accesorios originales. Las modificaciones o accesorios que no estén aprobados pueden provocar daños graves o la muerte del operador u otras personas.
- No use un producto dañado. Realice los controles de seguridad y las tareas de mantenimiento como se describen en este manual de usuario. El personal de un taller de servicio aprobado debe realizar todas las demás tareas de mantenimiento.
- Todas las operaciones de mantenimiento y reparación las debe realizar el personal de mantenimiento aprobado. Si una pieza del producto está dañada, comuníquese con el distribuidor de servicio.

Instrucciones de seguridad para el funcionamiento



ADVERTENCIA: Lea atentamente las instrucciones de advertencia siguientes antes de usar el producto.

- Este producto puede ser peligroso y provocar daños graves o fatales al operador o a otras personas. Tenga cuidado y utilice el producto correctamente.
- Inspeccione el producto antes de utilizarlo. Consulte *Programa de mantenimiento en la página 24*.
- No opere el producto si está cansado, enfermo o bajo la influencia de alcohol u otras drogas que puedan disminuir su vista, criterio o coordinación.
- Instale todas las cubiertas y protecciones del producto antes de utilizarlo. Para evitar sacudidas eléctricas, asegúrese de que el sombrerete de la bujía y el cable de encendido no estén dañados.
- No toque la bujía ni el cable de encendido cuando el motor esté encendido.
- Mantenga una distancia de seguridad de un mínimo de 15 m para personas o animales. Si personas, niños o animales se acercan a menos de 15 m, detenga el producto. Apunte el producto lejos de personas, animales, ventanas abiertas y otros objetos.
- No deje que los niños operen el producto. Asegúrese de que todos los operadores lean y comprendan el contenido de este manual de usuario.
- Mantenga las manos u otros objetos alejados de la carcasa de la sopladora durante el funcionamiento. Las piezas giratorias pueden provocar daños graves.
- No utilice el producto si la rejilla de aspiración de aire no está instalada. Asegúrese siempre de que la rejilla de aspiración de aire está instalada y no esté dañada antes de cada uso.
- Si se produce una emergencia, suelte el cinturón y el cinturón del pecho del arnés, y deje caer el producto.
- Obedezca las normativas y directivas nacionales.
- Mantenga todas las partes del cuerpo lejos de las superficies calientes.
- Demasiada vibración puede causar daños a la circulación o al sistema nervioso. Hable con su médico si tiene síntomas como insensibilidad, pérdida de sensación, hormigueo, picazón, dolor, pérdida de fuerza o cambios en el color de la piel de los dedos, manos o muñecas.
- Esté atento a que no salgan objetos despedidos. Los objetos despedidos pueden causar daños graves.
- No opere el producto en condiciones climáticas desfavorables, como niebla, lluvia, vientos fuertes ni frío intenso. Trabajar con mal tiempo puede causar cansancio y condiciones peligrosas.

- Asegúrese de poder moverse libremente y mantenerse en una posición estable. Revise el área de trabajo para ver si hay posibles obstáculos, como rocas. Tenga cuidado cuando opere el producto en pendientes.
- No deje el producto en el piso con el motor en marcha.
- No utilice el producto desde posiciones altas, por ejemplo, en una escalera.
- Asegúrese de que siempre lo puedan escuchar en caso de producirse un accidente.
- Asegúrese de que la salida de los gases de escape no esté obstruida. Para evitar daños en el producto, mantenga los obstáculos a una distancia mínima de 50 cm de la salida de los gases de escape.
- No encienda el producto en interiores, lugares con mala ventilación o cerca de materiales inflamables. Los gases de escape del motor contienen monóxido de carbono, que puede provocar intoxicación por monóxido de carbono. Los gases de escape están calientes y pueden contener chispas que podrían provocar un incendio.

Equipo de protección personal



ADVERTENCIA: Lea atentamente las instrucciones de advertencia siguientes antes de usar el producto.

- Utilice siempre el equipo de protección personal aprobado cuando use el producto. El equipo de protección personal no puede impedir por completo el riesgo de lesiones, pero puede disminuir su grado. Comuníquese con su concesionario para obtener más información.
- Use protección auricular aprobada. La exposición prolongada al ruido puede provocar daños permanentes en la audición.
- Use protección ocular homologada. Si utiliza un visor, también debe usar gafas protectoras homologadas. Las gafas protectoras homologadas deben cumplir con la norma ANSI Z87.1 de EE. UU. o con EN 166 en los países de la UE.
- Utilice guantes protectores durante el funcionamiento y mantenimiento.
- Utilice botas o zapatos de protección con suelas antideslizantes.
- Utilice ropa de tejido resistente y que lo cubra por completo. No utilice joyas ni calzado abierto. Para reducir el riesgo de lesiones, la ropa debe estar ajustada, pero no limitar los movimientos. Manténgase el pelo sobre los hombros para evitar que se enganche entre en las piezas giratorias o en las ramas.
- Utilice una protección respiratoria cuando haya riesgo de polvo.
- Mantenga cerca el equipo de primeros auxilios.

Dispositivos de seguridad en el producto



ADVERTENCIA: Lea atentamente las instrucciones de advertencia siguientes antes de usar el producto.

- No utilice un producto con dispositivos de seguridad dañados o que no funcionen correctamente.
- Revise los dispositivos de seguridad de forma regular. Consulte *Programa de mantenimiento en la página 24*.
- Si los dispositivos de seguridad están dañados o no funcionan correctamente, hable con su distribuidor de servicio de Husqvarna.

Para comprobar el silenciador



ADVERTENCIA: No utilice un producto con un silenciador defectuoso.



ADVERTENCIA: El silenciador se calienta mucho durante el funcionamiento o después de este, así como en el régimen de ralentí. Utilice guantes protectores para evitar quemaduras.



ADVERTENCIA: El interior del silenciador contiene productos químicos que pueden ser cancerígenos. No toque el silenciador si está dañado.

- Realice una inspección visual del silenciador de manera regular. El silenciador mantiene los niveles de ruido al mínimo y dirige los gases de escape lejos del operador. Consulte *Para realizar tareas de mantenimiento en el silenciador en la página 25*.

Para comprobar el sistema amortiguador de vibraciones

1. Asegúrese de que no haya grietas o deformación en los amortiguadores de vibraciones.
2. Asegúrese de que los amortiguadores de vibraciones estén firmemente acoplados a la unidad del motor y a la unidad del mango.

Consulte la sección *Descripción general del producto en la página 16* para obtener más información sobre la ubicación del sistema amortiguador de vibraciones en su producto.

Para comprobar el interruptor de arranque/detención

1. Utilice el interruptor de arranque/detención para detener el motor.

2. Asegúrese de que el motor se detenga por completo.

Para conocer la ubicación del interruptor de arranque/detención en el producto, consulte *Descripción general del producto en la página 16*.

Seguridad de combustible



ADVERTENCIA: Lea atentamente las instrucciones de advertencia siguientes antes de usar el producto.

- No mezcle ni agregue combustible en interiores o cerca de una fuente de calor.
- No encienda el producto si derrama aceite o combustible en él o en su cuerpo.
- No arranque el producto si el motor tiene una fuga de combustible. Examine frecuentemente el motor en busca de fugas de combustible.
- Sea siempre cuidadoso con el combustible. El combustible es inflamable y los gases son explosivos; además, pueden causar daños graves o fatales.
- No respire los gases del combustible, ya que pueden causar lesiones. Asegúrese de que haya suficiente flujo de aire.
- No fume cerca del combustible o del motor.
- No coloque el producto ni un recipiente de combustible cerca de objetos calientes, una llama abierta, chispas o una llama de gas.
- Siempre use contenedores aprobados para el almacenamiento y el transporte del combustible.

Instrucciones de seguridad para el mantenimiento



ADVERTENCIA: Lea atentamente las instrucciones de advertencia siguientes antes de usar el producto.

- Pare el motor, quite la bujía y deje que el motor se enfríe antes de realizar el mantenimiento y el montaje.
- Si la red apagachispas está obstruida, el motor se sobrecalentará y se dañará.
- Si la rejilla apagachispas se bloquea con frecuencia, puede ser indicio de que el rendimiento del catalizador disminuye. Comuníquese con su concesionario de servicio para examinar el silenciador.

Montaje

Introducción

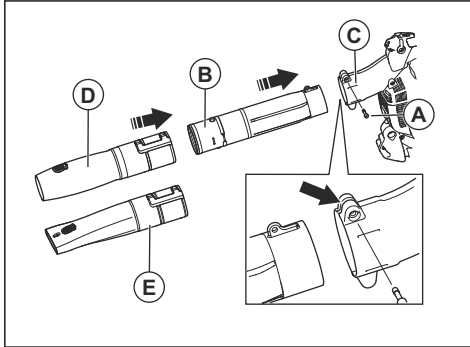


ADVERTENCIA: Asegúrese de leer y comprender el capítulo de seguridad antes de montar el producto.

2. Instale el tubo intermedio (B) en el tubo del soplador (C).
3. Instale y apriete el tornillo de fijación (A).
4. Instale la boquilla redonda (D) o la boquilla plana (E) en el tubo intermedio.

Para montar el tubo del soplador

1. Afloje el tornillo de fijación (A).



Funcionamiento

Introducción



ADVERTENCIA: Asegúrese de leer y comprender el capítulo de seguridad antes de utilizar el producto.

Combustible

Este producto tiene un motor de dos tiempos.



AVISO: Usar el tipo incorrecto de combustible puede causar daños en el motor. Utilice una mezcla de gasolina y de aceite para motores de dos tiempos.

Combustible premezclado

- Utilice combustible de alquilate premezclado Husqvarna para obtener el mejor rendimiento y prolongar la vida útil del motor. Este combustible contiene menos químicos dañinos en comparación con el combustible normal, lo cual disminuye los gases de escape dañinos. La cantidad de restos después de la combustión es menor con este combustible, que mantiene más limpios los componentes del motor.

Para mezclar combustible

Gasolina

- Utilice gasolina sin plomo de buena calidad con un contenido máximo de un 10 % de etanol.



AVISO: No utilice gasolina con un octanaje inferior a 90 RON/87 AKI. El uso de gasolina de octanaje inferior puede causar el golpeteo del motor, lo que provoca daños en el motor.

Aceite para motores de dos tiempos

- Para obtener los mejores resultados y el mejor rendimiento, utilice aceite para motores de dos tiempos Husqvarna.
- Si el aceite para motores de dos tiempos Husqvarna no está disponible, utilice un aceite para motores de dos tiempos de buena calidad para motores enfriados por aire. Contáctese con su concesionario de servicio para seleccionar el aceite correcto.



AVISO: No utilice aceite para motores de dos tiempos para motores fueraborda refrigerados por agua, también conocido como aceite para

fueraborda. No utilice aceite para motores de cuatro tiempos.



AVISO: No mezcle el combustible durante más de 1 mes cada vez.

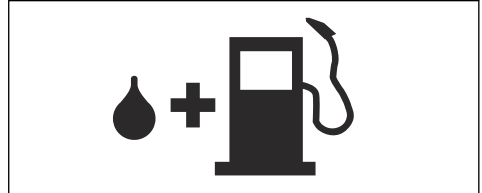
Para mezclar gasolina y aceite para motores de dos tiempos

Gasolina, litros	Aceite para motores de dos tiempos, litro
	2 % (50:1)
5	0,10
10	0,20
15	0,30
20	0,40
Galón estadounidense	Onza líquida EE. UU.
1	2 ½
2 1/2	6 ½
5	12 ¾



ADVERTENCIA: Para su seguridad, siga el procedimiento que se indica a continuación.

1. Detenga el motor y deje que se enfríe.
2. Limpie el área alrededor del tapón del depósito de combustible.



3. Agite el recipiente y asegúrese de que el combustible esté totalmente mezclado.
4. Retire lentamente la tapa del depósito de combustible para liberar la presión.
5. Llene el depósito de combustible.



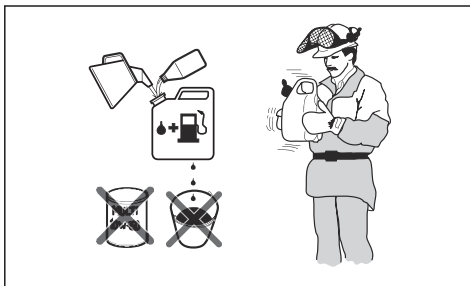
AVISO: Los errores pequeños pueden influir drásticamente en la proporción de la mezcla cuando se mezclan cantidades pequeñas de combustible. Mida cuidadosamente la cantidad de aceite y asegúrese de obtener la mezcla correcta.



AVISO: Asegúrese de que el depósito de combustible no esté demasiado lleno. El combustible se expande cuando se calienta.

6. Apriete bien la tapa del depósito de combustible cuidadosamente.
7. Limpie los derrames de combustible en el producto y los alrededores.
8. Antes de arrancarlo, aleje el producto 3 m/10' o más del área de recarga de combustible y de la fuente de combustible.

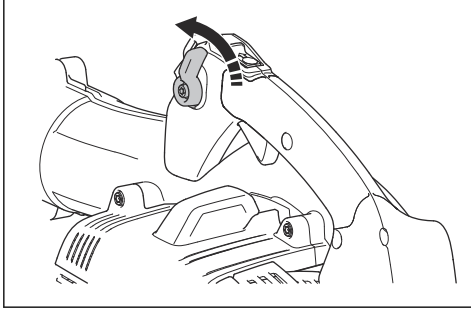
Tenga en cuenta: Para conocer la ubicación del depósito de combustible en el producto, consulte *Introducción en la página 16*.



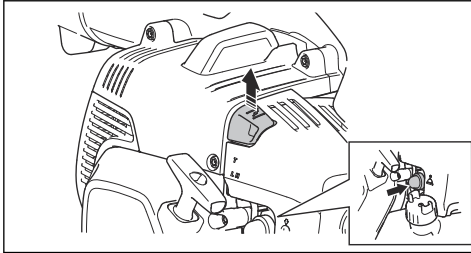
1. Llene la mitad de la cantidad de gasolina en un recipiente limpio para combustible.
2. Agregue la cantidad total de aceite.
3. Agite la mezcla de combustible.
4. Agregue la cantidad restante de gasolina al recipiente.
5. Agite cuidadosamente la mezcla de combustible.

Para poner en marcha el producto

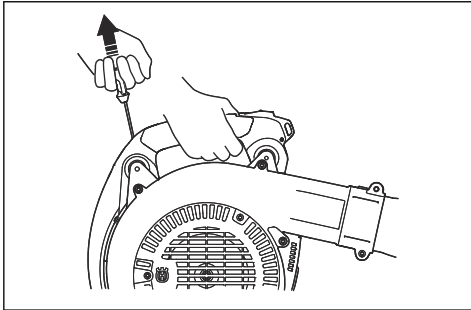
1. Mueva el control del acelerador a la posición de ralentí.



2. Si el motor está frío, presione el control del estrangulador hacia la posición de estrangulamiento cerrado.



3. Presione el bulbo de purga de aire una y otra vez hasta que el combustible comience a llenar el bulbo de purga de aire. No es necesario llenar completamente el bulbo de la purga de aire.
4. Coloque el producto sobre una superficie plana en el suelo.
5. Sujete el producto con la mano derecha.



AVISO: No sujete el producto con los pies.

6. Tire lentamente de la empuñadura de la cuerda de arranque hasta que se produzca resistencia.

7. Tire de la empuñadura de la cuerda de arranque rápidamente con la mano izquierda. Tire de la empuñadura de la cuerda de arranque una y otra vez hasta que arranque el motor.

Tenga en cuenta: No tire de la empuñadura de la cuerda de arranque en toda su extensión ni suelte la empuñadura de la cuerda de arranque.

8. Si el motor está frío, lleve el control del estrangulador a la posición de apertura.
9. Si el motor está frío, déjelo funcionar durante 2 a 3 minutos para que se caliente antes de utilizar el producto.



ADVERTENCIA: Se libera aire cuando se arranca el motor y cuando el producto se ajusta al régimen de ralentí. No permita que se acerquen personas al producto o al tubo del soplador.

Para hacer funcionar el producto

- Opere el producto en las horas de trabajo habituales. Siga las normativas locales.
- Reduzca la cantidad de piezas del equipo y seleccione la velocidad correcta para su tarea. Utilice el acelerador en la posición más baja posible para evitar producir más ruido y polvo del necesario.
- Mantenga la boquilla de la sopladora cerca del suelo.

Tenga en cuenta: Husqvarna recomienda utilizar la extensión completa de la boquilla de la sopladora.

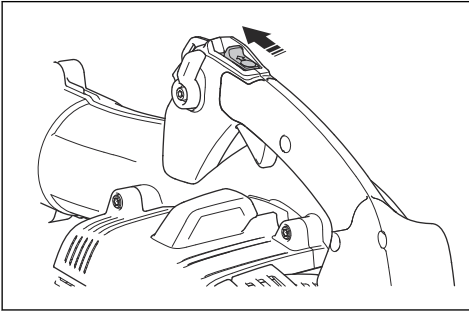
- Determine la dirección del viento y opere el producto en la dirección del viento.
- Utilice las herramientas de jardín correspondientes para liberar material del suelo.
- En zonas polvorientas, utilice un equipo de pulverización para humedecer la zona. Esto reduce el tiempo de funcionamiento.
- Después de la operación, almacene el producto en posición vertical.

Detener el motor



AVISO: No detenga el producto cuando funcione a máxima velocidad.

- Ponga el interruptor de START/STOP en la posición STOP.



Mantenimiento

Introducción



ADVERTENCIA: Lea detenidamente el capítulo de seguridad antes de realizar mantenimiento en el producto.

Programa de mantenimiento

Mantenimiento	A diario	Una vez por semana	Una vez al mes
Limpie las superficies externas.	X		
Asegúrese de que el acelerador funcione correctamente.	X		
Asegúrese de que el interruptor START/STOP funcione correctamente. Consulte <i>Para comprobar el interruptor de arranque/detención en la página 20.</i>	X		
Examine el motor, el depósito de combustible y los conductos de combustible para determinar si hay fugas. Examine el filtro de combustible en busca de contaminación. Reemplace el filtro de combustible si es necesario.	X		
Limpie el filtro de aire. Reemplace el filtro de aire si es necesario.	X		
Apriete tuercas y tornillos.	X		
Examine la toma de aire y asegúrese de que no esté obstruida.	X		
Examine el arranque y la cuerda de arranque en busca de daños.		X	
Inspeccione los amortiguadores de vibraciones para determinar si presentan daños, grietas o deformación. Asegúrese de que los amortiguadores de vibraciones estén instalados correctamente.		X	
Examine la bujía. Consulte <i>Para comprobar la bujía en la página 25.</i>		X	
Limpie el sistema refrigerante.		X	
Limpie la superficie exterior del carburador y el espacio que lo rodea.		X	
Limpie el depósito de combustible.			X
Examine todos los cables y conexiones.			X

Mantenimiento	A diario	Una vez por semana	Una vez al mes
Examine y limpie la rejilla de la red apagachispas en el silenciador (para productos sin catalizador).		X	
Examine y limpie la rejilla de la red apagachispas en el silenciador (para productos con catalizador).			X
Reemplace la bujía. Reemplácelos si es necesario.			X

Para ajustar el régimen de ralentí

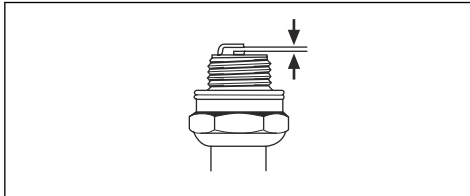
1. Asegúrese de que el filtro de aire esté limpio y de que tenga la cubierta colocada.
2. Ajuste el régimen de ralentí con el tornillo de régimen de ralentí. Para conocer la ubicación del tornillo de régimen de ralentí en el producto, consulte *Descripción general del producto en la página 16*.

Para comprobar la bujía



AVISO: Utilice la bujía recomendada. Consulte *Para comprobar la bujía en la página 25*. Una bujía incorrecta puede causar daños al producto.

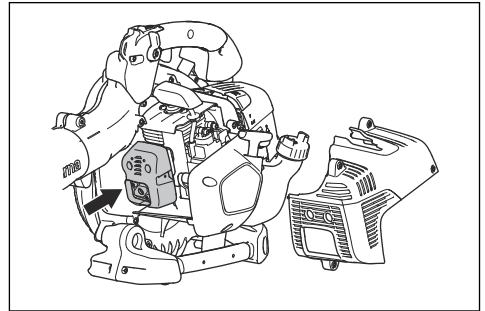
1. Detenga el motor y deje que el producto se enfríe.
2. Limpie la bujía si está sucia.
3. Asegúrese de que la distancia entre los electrodos sea la correcta. Consulte .



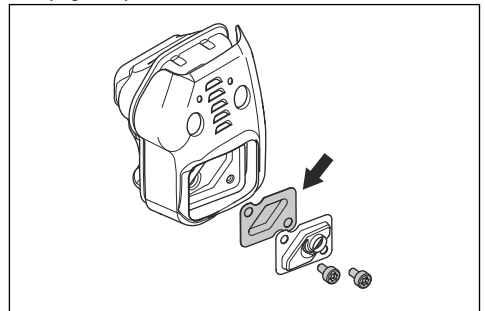
4. Reemplace la bujía cada mes o más a menudo si es necesario.

Para realizar tareas de mantenimiento en el silenciador

1. Detenga el motor y deje que el silenciador se enfríe. Use guantes protectores.



2. Quite la cubierta del silenciador.
3. Realice una inspección visual. Cambie la rejilla apagachispas si está dañada.



Para examinar y limpiar el sistema de refrigeración

El sistema refrigerante incluye las aletas de refrigeración en el cilindro y la rejilla de aspiración de aire.

1. Detenga el motor.
2. Asegúrese de que el sistema refrigerante no esté sucio ni obstruido. Si es necesario, limpie la rejilla de aspiración de aire y las aletas de refrigeración.



AVISO: Si el sistema refrigerante está sucio o bloqueado, puede aumentar la temperatura del motor y dañarlo. Una rejilla de aspiración de aire obstruida reduce la fuerza de soplado.

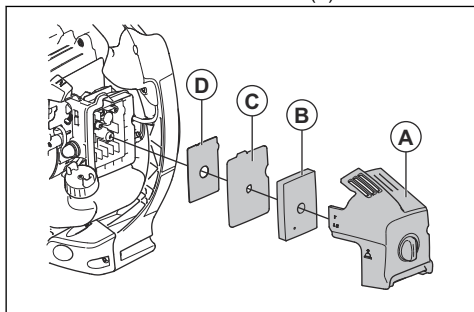
3. Revise si el sistema refrigerante presenta daños. Asegúrese de que las piezas están correctamente colocadas en el producto.

Para limpiar el filtro de aire



AVISO: No utilice un producto sin un filtro de aire o con un filtro de aire dañado. El polvo en el aire puede dañar el motor.

1. Presione el control del estrangulador hacia la posición de estrangulación.
2. Quite la cubierta del filtro de aire (A).



3. Quite el filtro de aire (B) del bastidor del filtro.
4. Limpie el filtro de aire (B) con agua jabonosa tibia.

Tenga en cuenta: Si un filtro de aire se ha utilizado durante mucho tiempo, nunca quedará completamente limpio. Sustituya el filtro de aire periódicamente, al igual que cuando presente defectos.

5. Limpie la superficie interior de la cubierta del filtro de aire (A) con un cepillo.
6. Retire y reemplace el filtro de fieltro (C) si está sucio.
7. Instale la rejilla (D), el filtro de fieltro (C) y el filtro de aire (B).
8. Instale la cubierta del filtro de aire (A) en el producto.

Solución de problemas

No es posible arrancar el motor		
Verificar	Causa posible	Solución
Botón de detención.	Posición de parada	Mueva el interruptor de detención hacia la posición de arranque.
Ganchos de arranque	Ganchos de arranque del motor obstruidos o desgastados	Ajuste o reemplace los ganchos de arranque.
		Limpie alrededor de los ganchos de arranque.
		Consulte a un taller de servicio autorizado.
Depósito de combustible	Tipo de combustible incorrecto	Vacíe el depósito de combustible y utilice el combustible correcto.
Carburador.	Ajuste del régimen de ralentí.	Ajuste la velocidad de ralentí con el tornillo de ajuste de ralentí.

No es posible arrancar el motor		
Verificar	Causa posible	Solución
Chispa (sin chispa).	Bujía sucia o mojada.	Asegúrese de que la bujía esté limpia y seca.
	La distancia entre los electrodos en la bujía es incorrecta.	Limpie la bujía. Asegúrese de que la distancia entre los electrodos sea la correcta. Asegúrese de que la bujía está instalada con un supresor. Consulte los datos técnicos para conocer la distancia correcta entre los electrodos.
Bujía	La bujía está suelta.	Ajuste la bujía.
	Hay material no deseado en los electrodos de la bujía.	Asegúrese de que la mezcla de combustible es la correcta. Asegúrese de que el filtro de aire esté limpio.

El motor arranca, pero se detiene de nuevo.		
Verificar	Causa posible	Solución
Depósito de combustible	Tipo de combustible incorrecto	Vaciélo y utilice el combustible correcto.
Carburador.	El motor no funciona correctamente a régimen de ralentí.	Consulte a su concesionario de servicio.
Filtro de aire.	Filtro de aire obstruido.	Limpie el filtro de aire.

Transporte y almacenamiento



ADVERTENCIA: Para evitar el riesgo de incendio, asegúrese de que no haya fugas ni liberación de gases durante el transporte o el almacenamiento. Asegúrese de que no haya riesgo de chispas o incendio.

- Vacíe el depósito de combustible antes del transporte o de un almacenamiento prolongado. Empuje el bulbo de purga de aire para asegurarse de que se haya quitado todo el combustible. Deseche el combustible en un lugar adecuado para tal propósito.
- Asegúrese de que el producto esté limpio y de que se le realice un mantenimiento completo antes de un almacenamiento prolongado.
- Extraiga la bujía y ponga aproximadamente 15 ml de aceite para motores de dos tiempos en el cilindro. Gire el producto 3 veces e instale nuevamente la bujía.
- Fije el producto de manera segura al vehículo durante el transporte.
- Mantenga el producto en un lugar seco, fresco y limpio con un flujo de aire adecuado. Mantenga el producto alejado de los niños.

Datos técnicos

Datos técnicos

	Husqvarna 525BX
Motor	
Cilindrada, cm ³	25,4
Régimen de ralentí, rpm	3000
Catalizador	Sí
Sistema de encendido	
Bujía	NGK BPMR8Y
Distancia entre los electrodos, mm / in	0,6-0,7 / 0,024-0,028
Combustible y sistema de lubricación	
Capacidad del depósito de combustible, l / pinta EE. UU.	0,45 / 0,95
Peso	
Peso sin combustible, kg / lb	4,4 / 9,7
Rendimiento del ventilador	
Velocidad máxima del aire con boquilla redonda, m/s	70
Velocidad máxima del aire con boquilla plana, m/s	86
Flujo de aire con boquilla redonda, m ³ /min	13
Flujo de aire con boquilla plana, m ³ /min	10

Garantía

DECLARACIÓN DE GARANTÍA DEL CONTROL DE EMISIONES DE VAPORES Y DE ESCAPE CONFORME A LA NORMATIVA FEDERAL DE LOS ESTADOS UNIDOS Y LA NORMATIVA DE CANADÁ

DERECHOS Y OBLIGACIONES DE LA GARANTÍA

La Agencia de Protección Medioambiental de EE. UU. (EPA, del inglés "Environmental Protection Agency"), el ministerio de Medioambiente y Cambio Climático de Canadá y Husqvarna Professional Products, Inc. se complacen en profundizar sobre la garantía del sistema de control de emisiones de vapores y de escape ("emisiones") para los modelos de motores pequeños para todoterreno del año 2012 y posteriores. En EE. UU. y Canadá, los nuevos equipos que utilizan motores pequeños para todoterreno se deben diseñar, construir y equipar conforme a las estrictas normas de control de emisiones contaminantes del Estado. Husqvarna Professional Products, Inc. debe proporcionar una garantía para el sistema de control de emisiones del motor pequeño para todoterreno por los períodos que se indican a continuación, siempre que no haya ningún abuso, negligencia ni mantenimiento incorrecto del motor pequeño para todoterreno o del equipo que pueda provocar la falla del sistema de control de emisiones. El sistema de control de emisiones puede incluir piezas como un carburador o un sistema de inyección de combustible, un sistema de encendido, un catalizador, depósitos de combustible, tuberías de combustible (para combustible líquido y vapores de combustible), tapones de combustible, válvulas, depósitos, filtros, abrazaderas y otros componentes asociados. Además, puede incluir mangueras, correas, conectores y otros montajes relacionados con las emisiones. Cuando exista una condición cubierta por la garantía, Husqvarna Professional Products, Inc. reparará el motor de pequeña cilindrada para todo terreno sin costo, incluido el diagnóstico, las piezas y la mano de obra.

COBERTURA DE LA GARANTÍA DEL FABRICANTE

El sistema de control de emisiones de vapores y de escape del motor pequeño para todoterreno tiene una garantía de dos años. Si alguna de las piezas del motor de pequeña cilindrada para todo terreno relacionada con las emisiones tiene una falla, Husqvarna Professional Products, Inc. reparará o reemplazará la pieza.

RESPONSABILIDADES DE GARANTÍA DEL PROPIETARIO

- Como propietario del motor pequeño para todoterreno, usted es responsable de la ejecución del mantenimiento necesario que se detalla en el manual del propietario. Husqvarna Professional Products, Inc. recomienda que conserve todos los recibos que cubran el mantenimiento del motor pequeño para todoterreno; sin embargo, Husqvarna Professional Products, Inc. no puede negar la cobertura de la garantía solo por la falta de recibos o porque no pueda garantizar la realización de todo el mantenimiento programado.
- No obstante, como propietario del motor de pequeña cilindrada para todo terreno debe saber que Husqvarna Professional Products, Inc. puede negar la cobertura de la garantía si dicho motor o una de sus piezas falló como resultado del abuso, negligencia o mantenimiento incorrecto, o modificaciones no aprobadas.
- Usted es responsable de llevar el motor pequeño para todoterreno a un taller de servicio autorizado Husqvarna Professional Products, Inc. lo antes posible en cuanto surja un problema. Las reparaciones bajo garantía se deben realizar dentro de un tiempo razonable que no supere los 30 días. Si tiene preguntas acerca de los derechos y las responsabilidades que implica esta garantía, debe comunicarse con Husqvarna Professional Products, Inc. en EE. UU. al 1-800-487-5951, en CANADÁ al 1-800-805-5523 o enviar un correo electrónico a emissions@husqvarnagroup.com o warranty@hpp-emissions.com.

FECHA DE INICIO DE LA GARANTÍA

El período de garantía comienza en el momento en que se entrega el motor o equipo al comprador final.

EXTENSIÓN DE LA COBERTURA

Husqvarna Professional Products, Inc. garantiza al comprador final y a cualquier comprador posterior que el motor, así como el equipo, se diseñaron, construyeron y equiparon conforme a las normativas pertinentes adoptadas por la EPA, y que no presentan defectos en cuanto a los materiales ni la mano de obra que causen la falla de una pieza cubierta por la garantía durante un período de dos años.

ELEMENTOS CON COBERTURA

REPARACIÓN O REEMPLAZO DE PIEZAS: La reparación o el reemplazo de cualquier pieza defectuosa en garantía se realizará sin cargo para el propietario en un taller de servicio autorizado. El propietario puede elegir el taller de reparación o una persona que realice los servicios de mantenimiento, reemplazo o reparación de los dispositivos y sistemas de control de emisiones, con excepción de las reparaciones y el reemplazo detallados en esta garantía

de control de emisiones. Sin embargo, Husqvarna Professional Products, Inc. recomienda que un taller de servicio autorizado de la marca realice todos los servicios de mantenimiento, reemplazo y reparación de los dispositivos y sistemas de control de emisiones.

IMPORTANTE: este producto cumple con la normativa Fase 3 de la EPA (del inglés Environmental Protection Agency, Agencia de Protección Medioambiental) de EE. UU. referente a emisiones de escape y evaporación. A fin de garantizar el cumplimiento de la EPA Fase 3 de EE. UU. y la regulación del Ministerio de Medioambiente y Cambio Climático de Canadá (Environment and Climate Change Canada), recomendamos utilizar solo piezas de repuesto originales de la marca del producto. El uso de piezas de repuesto que no cumplan con esta norma es una violación de las leyes federales y estatales.

PERÍODO DE GARANTÍA: Cualquier pieza cubierta por la garantía que no esté programada para reemplazo como mantenimiento necesario, o que esté programada solo para una inspección regular al efecto de "reparación o reemplazo según sea necesario", contará con una garantía de 2 años (o la duración establecida en la garantía del producto, lo que sea mayor) desde la fecha de compra del comprador original. Toda pieza que esté programada para su reemplazo como parte del mantenimiento necesario contará con la garantía por el período hasta el primer reemplazo programado de la pieza. Cualquier pieza reparada o sustituida en conformidad con la garantía debe estar garantizada durante el lapso restante del período.

DIAGNÓSTICO: No se aplicarán tarifas por los trabajos de diagnóstico que lleven a determinar que una pieza bajo garantía se encuentra de hecho defectuosa, siempre y cuando dicho trabajo de diagnóstico se realice en un taller de servicio autorizado de la marca.

OTROS DAÑOS: Husqvarna Professional Products, Inc. reparará los daños a otros componentes del motor causados por la falla de una pieza garantizada que aún se encuentre cubierta por la garantía.

LISTADO DE PIEZAS DE EMISIONES CUBIERTAS POR LA GARANTÍA

1. Carburador y piezas de admisión o sistemas de inyección de combustible.
2. Filtro de aire y filtro de combustible, cubiertos hasta el programa de mantenimiento.
3. Bujía, cubierta hasta el programa de mantenimiento.
4. Módulo de encendido.
5. Silenciadores con catalizadores y colectores de escape.
6. Depósito de combustible, tuberías de combustible (para combustible líquido y vapores del combustible), tapón de combustible, depósito de carbono y válvulas de seguridad o antiderrame, según corresponda*.

7. Controles electrónicos, y válvulas e interruptores susceptibles al tiempo, la temperatura y la succión.
8. Mangueras, conectores y montajes.
9. Todos los otros componentes cuya falla aumentaría las emisiones de vapores y de escape del motor de cualquier contaminante reglamentado, como se establece en la siguiente sección:

- Para los Estados Unidos y Canadá, consulte el US Federal Code of Regulations (Código de disposiciones federales de los Estados Unidos), 40 C.F.R 1068, Anexo I (III).

ELEMENTOS SIN COBERTURA

Las fallas causadas por abuso, negligencia, modificaciones no aprobadas, mal uso o mantenimiento incorrecto no están cubiertas por la garantía.

AÑADIDURAS O PIEZAS MODIFICADAS: No pueden utilizarse complementos o piezas modificadas no exentos por la EPA. La utilización de añadiduras o de piezas modificadas no exentas podrá servir de fundamento para anular una reclamación de garantía. Husqvarna Professional Products, Inc. no será responsable de las fallas de garantía de las piezas garantizadas provocadas por el uso de complementos o piezas modificadas no exentas.

CÓMO PRESENTAR UNA RECLAMACIÓN

Si tiene preguntas relacionadas con sus derechos y responsabilidades de la garantía, deberá comunicarse con su concesionario de servicio autorizado más cercano o llamar a Husqvarna Professional Products, Inc. en EE. UU. al 1-800-487-5951, en CANADÁ al 1-800-805-5523 o enviar un correo electrónico a emissions@husqvarnagroup.com o warranty@hpp-emissions.com.

DÓNDE OBTENER SERVICIOS DE LA GARANTÍA

Las reparaciones o los servicios de la garantía se brindan a través de todos los talleres de servicio autorizados de Husqvarna Professional Products, Inc.. Si el taller de servicio autorizado más cercano se encuentra a más de 100 millas de su ubicación, Husqvarna Professional Products, Inc. se encargará de organizar y pagar los costos de envío al taller de servicio autorizado de la marca, y desde este, o dispondrá un servicio de garantía en conformidad con las normativas correspondientes.

MANTENIMIENTO, REEMPLAZO Y REPARACIÓN DE PIEZAS RELACIONADAS CON EL CONTROL DE EMISIONES

Cualquier pieza para sustituir una defectuosa puede utilizarse en cualquier mantenimiento o reparación bajo garantía y deben proporcionarse al propietario sin cargo. Dicho uso no reducirá las obligaciones de la garantía por parte del fabricante.

DECLARACIÓN DE MANTENIMIENTO

El propietario es responsable de la realización de todo el mantenimiento requerido, según se establece en el manual de usuario.

* Piezas de emisiones evaporativas.

Table des matières

Introduction.....	32	Dépannage.....	42
Sécurité.....	34	Transport et entreposage.....	43
Montage.....	37	Données techniques.....	44
Fonctionnement.....	37	Garantie.....	45
Entretien.....	40		

Introduction

Description du produit

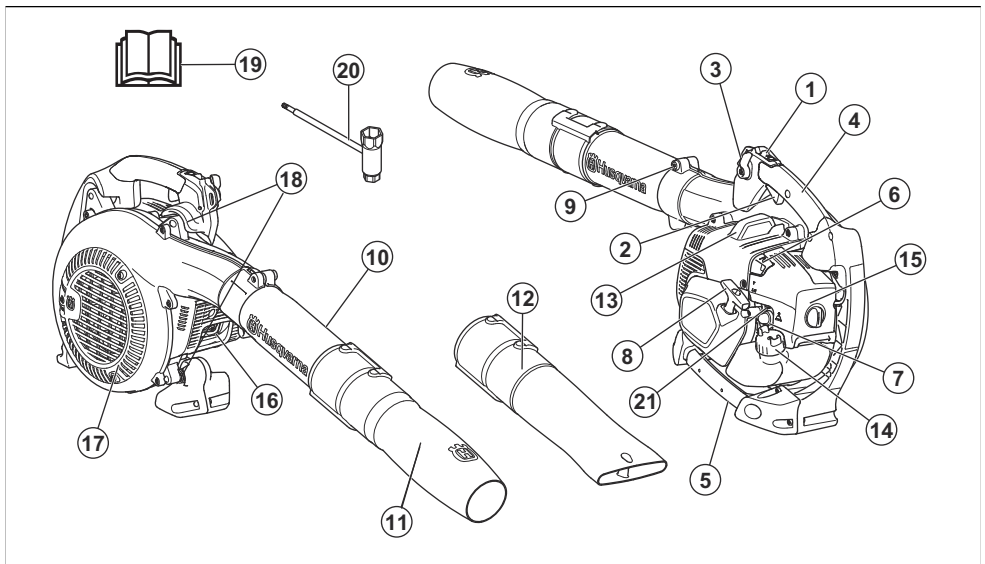
Ce produit est un aspirateur-souffleur équipé d'un moteur à carburant.

Nous avons une politique de développement continu et nous réservons donc le droit de modifier la conception et l'apparence des produits sans préavis.

Utilisation prévue

Utiliser ce produit pour souffler les feuilles et les autres matériaux indésirables des zones telles que des pelouses, des allées et des voies asphaltées.

Aperçu du produit



- | | |
|----------------------------------|---------------------------------------|
| 1. Interrupteur de marche/arrêt | 12. Buse plate |
| 2. Gâchette d'accélération | 13. Bougie |
| 3. Commande d'accélération | 14. Bouchon du réservoir de carburant |
| 4. Poignée de commande | 15. Filtre à air |
| 5. Poignée | 16. Silencieux |
| 6. Starter | 17. Grille de prise d'air |
| 7. Pompe à carburant | 18. Système anti-vibrations |
| 8. Poignée du câble du démarreur | 19. Manuel d'utilisation |
| 9. Vis de serrage | 20. Clé mixte |
| 10. Tube intermédiaire | 21. Vis de régime de ralenti |
| 11. Buse ronde | |

Symboles concernant le produit



AVERTISSEMENT! Ce produit peut être dangereux et causer des blessures très graves, ou même mortelles, à l'utilisateur et à d'autres personnes. soyez prudent et utilisez le produit correctement.



Avant d'utiliser la tondeuse, lire attentivement le manuel d'utilisation et veiller à bien comprendre les directives.



Utilisez des protège-oreilles et des protections pour les yeux homologués. Si l'environnement est poussiéreux, utilisez un masque respiratoire.



Utiliser des gants de protection homologués.



Mélange d'essence et d'huile pour moteur à deux-temps.



Poire de la pompe à carburant.



Starter, position ouverte.



Starter, position fermée.



Faire preuve de prudence à l'égard des projections d'objets. Les objets projetés peuvent engendrer de graves blessures. Utiliser un équipement de protection personnelle.



Maintenez une distance de sécurité d'au moins 15 m par rapport aux personnes ou aux animaux.

yyyywwxxxx

La plaque signalétique indique le numéro de série. **aaaa** désigne l'année de production et **ww** correspond à la semaine de production.

Remarque : Les autres symboles/autocollants présents sur le produit concernent des exigences de certification spécifiques à d'autres zones commerciales.

EPA III

EMISSION CONTROL INFORMATION	
CO ₂ SUBCOMMITTEE	DISPL.: 60
HUSQVARNA AB HUSKVARNA SWEDEN	
THIS ENGINE MEETS U.S. EPA EX/NEVP REGS FOR <input type="checkbox"/>	
ENGINE FAMILY:	
EMISSION CONTROL SYSTEM: EXH: <input type="checkbox"/> / EVF: <input type="checkbox"/>	
COMPLIANCE PERIOD:	
MANUFACTURED:	
CAN ICES-002/NMB-002	

La période de conformité aux normes d'émissions indiquée sur les étiquettes de conformité aux normes d'émissions se rapporte au nombre d'heures de fonctionnement du moteur qui répond aux exigences fédérales en matière d'émissions. N'importe quel atelier de réparation de moteurs hors route ou réparateur peut effectuer l'entretien, le remplacement et la réparation des dispositifs et du système de contrôle des émissions.

ABRÉVIATIONS SUR LES ÉTIQUETTES DU SYSTÈME DE CONTRÔLE DES ÉMISSIONS

Généralités :

CYL	Cylindrée	EVAP	Évaporation	REGS	Règlements
ECS	Système de contrôle des émissions	HRS	À toutes les heures	US EPA	Office de protection de l'environnement des États-Unis

ABRÉVIATIONS SUR LES ÉTIQUETTES DU SYSTÈME DE CONTRÔLE DES ÉMISSIONS

Généralités :

EXH/EVP	Échappement et évaporation				
---------	----------------------------	--	--	--	--

Système de contrôle des émissions d'échappement :

ECM	Module de commande du moteur (Autotune)	OC	Catalyseur oxydant
EM	Modification du moteur	TWC	Catalyseur trifonctionnel

Système de contrôle des émissions d'échappement :

C	Coextrudé (multicouche)	P	Polyéthylène ou polyéthylène haute densité traité
N	Nylon	S	Fermé hermétiquement

Produit endommagé

Nous ne sommes pas responsables des dommages causés à notre produit si :

- Le produit n'est pas réparé de façon adéquate.
- Le produit est réparé avec des pièces qui ne sont pas fournies ou homologuées par le fabricant.

- Le produit comprend un accessoire qui n'est pas fourni ou homologué par le fabricant.
- Le produit n'est pas réparé par un centre de service après-vente agréé ou par une autorité homologuée.

Sécurité

Définitions relatives à la sécurité

Les définitions ci-dessous indiquent le niveau de gravité pour chaque mot signal.



AVERTISSEMENT : Blessures aux personnes.



MISE EN GARDE : Dommages causés à l'outil.

Remarque : Cette information facilite l'utilisation de l'outil.

Consignes générales de sécurité



AVERTISSEMENT : Lire les messages d'avertissement qui suivent avant d'utiliser l'appareil.

- Ne pas modifier le produit sans l'approbation du fabricant et utiliser toujours des accessoires d'origine. Les modifications ou accessoires non autorisés peuvent entraîner des blessures graves ou la mort de l'opérateur ou d'autres personnes.
- Ne pas utiliser l'outil s'il est endommagé. Effectuer les vérifications de sécurité et l'entretien conformément aux instructions présentées dans le manuel de l'opérateur. Tous les autres travaux d'entretien doivent être effectués par du personnel d'entretien agréé.
- Tous les travaux d'entretien et de réparation doivent être effectués par du personnel d'entretien agréé. Si une partie du produit est défectueuse, communiquer avec votre centre de réparation.

Consignes de sécurité pour l'utilisation



AVERTISSEMENT : Lire les messages d'avertissement qui suivent avant d'utiliser l'appareil.

- Ce produit peut être dangereux et causer des blessures très graves, ou même mortelles, à l'utilisateur et à d'autres personnes. Faire attention et utiliser le produit correctement.
- Vérifier le produit avant son utilisation. Se reporter à la section *Calendrier d'entretien à la page 40*.
- Ne pas utiliser l'outil si vous êtes fatigué, malade ou sous l'emprise de l'alcool ou d'une drogue qui peuvent diminuer l'acuité visuelle, le jugement ou la coordination.
- Poser les couvercles et les protections avant l'utilisation. Pour éviter tout risque d'électrocution, s'assurer que le chapeau de bougie et le câble d'allumage ne sont pas endommagés.
- Ne pas toucher la bougie d'allumage ou le câble d'allumage lorsque le moteur est en marche.
- Maintenir une distance de sécurité d'au moins 15 m avec d'autres personnes ou des animaux. Si des personnes, des enfants ou des animaux s'approchent à moins de 15 m, arrêter le produit. Éloigner le produit des personnes, des animaux, des fenêtres ouvertes et d'autres objets.
- Ne pas laisser un enfant utiliser la machine. S'assurer que les opérateurs lisent et comprennent le contenu de ce manuel d'utilisation.
- Garder les mains ou d'autres objets à l'écart du carter du souffleur pendant le fonctionnement. Les pièces en rotation peuvent engendrer de graves blessures.
- Ne pas utiliser le produit si la grille d'entrée d'air n'est pas installée. Toujours s'assurer que la grille d'entrée d'air est installée et qu'elle n'est pas endommagée avant l'utilisation.
- En cas d'urgence, relâcher la ceinture et la sangle d'épaule du harnais et laisser tomber le produit.
- Respecter les directives et règlements nationaux.
- Garder les parties du corps à l'écart des surfaces chaudes.
- Une vibration trop importante peut endommager la circulation ou le système nerveux. Parler à un médecin en cas de symptômes suivants : engourdissement, perte de sensibilité, fourmillement, picotement, douleur, faiblesse musculaire, décoloration de la peau au niveau des doigts, des mains ou des poignets.
- Faire preuve de prudence à l'égard des projections d'objets. La projection d'objets peut causer des blessures graves.
- Ne pas utiliser le produit par mauvais temps (brouillard, pluie, vents violents et froid intense). Travailler par mauvais temps peut provoquer une fatigue et des conditions dangereuses.
- S'assurer qu'on peut se déplacer et garder une position stable. Vérifier la zone de travail pour détecter d'éventuels obstacles tels que des pierres. Faire attention lors de l'utilisation du produit dans une pente.
- Ne pas placer le produit sur le sol quand le moteur est en marche.
- Ne pas utiliser le produit à partir de positions élevées, par exemple sur une échelle.
- S'assurer de toujours être entendu en cas d'accident.
- S'assurer que la sortie de gaz d'échappement n'est pas obstruée. Pour éviter d'endommager le produit, maintenir les obstacles à une distance minimale de 50 cm de la sortie de gaz d'échappement.
- Ne pas démarrer le produit à l'intérieur, dans un endroit avec une mauvaise ventilation ou à proximité de matériaux inflammables. Les gaz d'échappement du moteur contiennent du monoxyde de carbone pouvant provoquer l'intoxication. Les gaz d'échappement du moteur sont très chauds et peuvent contenir des étincelles qui peuvent causer un incendie.

Équipement de protection personnelle



AVERTISSEMENT : Lire les messages d'avertissement qui suivent avant d'utiliser l'appareil.

- Utiliser un équipement de protection personnelle homologué lors de l'utilisation du produit. Cet équipement de protection personnelle n'élimine pas complètement les risques de blessures, mais il peut en réduire la gravité. Pour obtenir de plus amples renseignements, communiquer avec votre concessionnaire.
- Porter un dispositif de protection homologué pour les oreilles. L'exposition prolongée au bruit peut causer des lésions auditives permanentes.
- Utiliser un dispositif de protection homologué pour les yeux. Porter également des lunettes de protection homologuées en cas d'utilisation d'une visière. Les lunettes de protection homologuées doivent être conformes à la norme ANSI Z87.1 aux États-Unis ou à la norme EN 166 dans les pays de l'Union européenne.
- Utiliser des gants de protection pendant l'utilisation et l'entretien.
- Utiliser des bottes de protection ou des chaussures avec semelles antidérapantes.
- Utiliser des vêtements en tissus résistants longs. Ne pas porter de bijoux et de chaussures ouvertes. Pour réduire le risque de blessure, vos vêtements doivent être ajustés, mais ne doivent pas limiter vos mouvements. Garder les cheveux au-dessus des épaules pour éviter qu'ils ne pénètrent dans les pièces en rotation ou qu'ils ne s'accrochent aux branches.
- Utiliser une protection respiratoire lorsqu'il y a un risque de poussière.
- Maintenir l'équipement de premiers secours à proximité.

Dispositifs de sécurité sur l'outil



AVERTISSEMENT : Lire les messages d'avertissement qui suivent avant d'utiliser l'appareil.

- Ne pas utiliser le produit si les dispositifs de sécurité sont endommagés ou s'ils ne fonctionnent pas correctement.
- Vérifier régulièrement les dispositifs de sécurité. Se reporter à *Calendrier d'entretien à la page 40*.
- Si les dispositifs de sécurité sont endommagés ou ne fonctionnent pas correctement, communiquez avec votre concessionnaire réparateur Husqvarna.

Pour vérifier le silencieux



AVERTISSEMENT : Ne pas utiliser un produit dont le silencieux est défectueux.



AVERTISSEMENT : Le silencieux devient extrêmement chaud pendant et après utilisation, même lorsque le moteur tourne au ralenti. Utiliser des gants de protection pour éviter des brûlures.



AVERTISSEMENT : L'intérieur du silencieux contient des produits chimiques pouvant être cancérigènes. Ne pas toucher le silencieux s'il est endommagé.

- Effectuer régulièrement une vérification visuelle du silencieux. Le silencieux maintient le niveau sonore au minimum et dirige les gaz d'échappement loin de l'utilisateur. Se reporter à la section *Pour procéder à l'entretien du silencieux à la page 41*.

Pour vérifier le système antivibrations

1. S'assurer que les unités antivibrations ne présentent aucune fissure ou déformation.
2. S'assurer que les unités antivibrations sont correctement fixées à l'unité à moteur et à l'ensemble poignée.

Reportez-vous à la section *Aperçu du produit à la page 32* pour obtenir des renseignements sur l'emplacement du système antivibrations sur votre produit.

Pour vérifier l'interrupteur de marche/arrêt

1. Utiliser l'interrupteur de marche/arrêt pour arrêter le moteur.

2. S'assurer que le moteur s'arrête complètement.

Pour connaître l'emplacement de l'interrupteur de marche/arrêt sur votre produit, se reporter à *Aperçu du produit à la page 32*.

Sécurité – carburant



AVERTISSEMENT : Lire les messages d'avertissement qui suivent avant d'utiliser l'outil.

- Ne pas mélanger ou ajouter le carburant à l'intérieur ou à proximité d'une source de chaleur.
- Ne pas démarrer le produit si de l'huile ou du carburant se renverse sur le produit ou sur le corps.
- Ne pas démarrer l'outil si le moteur présente une fuite. Vérifier régulièrement le moteur à la recherche de fuites de carburant.
- Toujours faire preuve de prudence lors de la manipulation du carburant. Celui-ci est inflammable et ses vapeurs sont explosives et peuvent causer des blessures graves ou la mort.
- Ne pas respirer les vapeurs de carburant, car elles peuvent causer des blessures. Vérifier que la ventilation est suffisante.
- Ne pas fumer à proximité du carburant ou du moteur.
- Ne pas placer le produit ou un bidon d'essence près d'objets chauds, d'une flamme nue, d'étincelles ou d'une veilleuse.
- Utiliser toujours des contenants agréés pour entreposer ou transporter le carburant.

Consignes de sécurité pour l'entretien



AVERTISSEMENT : Lire les messages d'avertissement qui suivent avant d'utiliser l'appareil.

- Arrêter le moteur, retirer la bougie et laisser refroidir le moteur avant l'entretien et le montage.
- Un écran pare-étincelles bloqué engendre une surchauffe du moteur, ce qui lui cause des dommages.
- Si l'écran pare-étincelles est souvent colmaté, cela peut être le signe d'une réduction de la performance du pot catalytique. Aller chez le fournisseur de services d'entretien pour examiner le silencieux.

Montage

Introduction

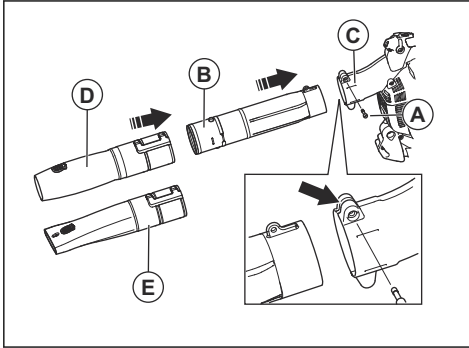


AVERTISSEMENT : Lire et comprendre le chapitre sur la sécurité avant d'assembler le produit.

2. Installez le tuyau intermédiaire (B) sur le tuyau de l'aspiro-souffleur (C).
3. Installez et serrez la vis de serrage (A).
4. Installez la buse ronde (D) ou la buse plate (E) sur le tuyau intermédiaire.

Assemblage du tuyau de l'aspiro-souffleur

1. Desserrez les deux vis de serrage (A).



Fonctionnement

Introduction



AVERTISSEMENT : Lire et comprendre le chapitre sur la sécurité avant d'utiliser le produit.

Carburant

Cet outil est équipé d'un moteur à deux-temps.



MISE EN GARDE : Un type de carburant inapproprié peut endommager le moteur. Utilisez un mélange d'essence et d'huile pour moteur à deux-temps.

Carburant prémélangé

- Utilisez du carburant alkylat prémélangé Husqvarna, pour atteindre une performance optimale et un prolonger la durée de vie du moteur. Ce carburant contient moins de substances chimiques nocives par rapport à un carburant régulier, ce qui réduit les gaz d'échappement nocifs. La quantité de dépôts après combustion est inférieure avec ce carburant, ce qui maintient les composants du moteur plus propres.

Pour mélanger le carburant

Essence

- Utilisez de l'essence sans plomb de bonne qualité contenant au maximum 10 % d'éthanol.



MISE EN GARDE : Ne pas utiliser d'essence à indice d'octane inférieur à 90 RON (87 AKI). L'utilisation d'un indice d'octane inférieur peut entraîner le cognement du moteur, ce qui provoque des dommages au moteur.

Huile à moteur deux temps

- Pour obtenir un meilleur résultat et un fonctionnement optimal, utilisez l'huile pour moteur à deux-temps Husqvarna.
- Si l'huile pour moteur à deux temps Husqvarna n'est pas disponible, utilisez une huile pour moteur à deux temps de bonne qualité destinée aux moteurs refroidis à l'air. Communiquez avec votre centre de services pour sélectionner l'huile appropriée.



MISE EN GARDE : Ne pas utiliser l'huile pour moteur à deux temps dans des moteurs hors-bord refroidis à l'eau, également appelée huile pour moteur hors-bord. Ne pas utiliser l'huile pour des moteurs à quatre temps.



MISE EN GARDE : Ne pas mélanger le carburant pendant plus de 1 mois à la fois.

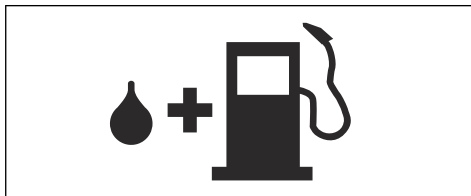
Pour mélanger l'essence et l'huile pour moteur à deux temps

Essence, litre	Huile pour moteur à deux temps, litre
	2 % (50:1)
5	0,10
10	0,20
15	0,30
20	0,40
gallon US	once liquide US
1	2 ½
2 1/2	6 ½
5	12 ¾



AVERTISSEMENT : Respecter la procédure suivante pour assurer la sécurité.

1. Couper le moteur et le laisser refroidir.
2. Nettoyer la zone autour du bouchon du réservoir de carburant.



3. Secouer le bidon et s'assurer que le carburant est complètement mélangé.
4. Retirer le bouchon du réservoir de carburant lentement pour libérer la pression.
5. Remplir le réservoir de carburant.



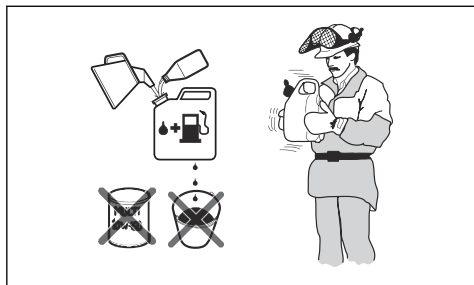
MISE EN GARDE : S'assurer qu'il n'y a pas trop de carburant dans le réservoir. Le carburant se dilate lorsqu'il devient chaud.

6. Serrer fermement le bouchon du réservoir de carburant.
7. Nettoyer le déversement de carburant sur le produit et autour de celui-ci.
8. Éloigner le produit de 3 m (10 pi) ou plus de la zone de remplissage et de la source de carburant avant de démarrer.

Remarque : Pour connaître l'emplacement du réservoir de carburant sur votre machine, se reporter à *Introduction à la page 32*.



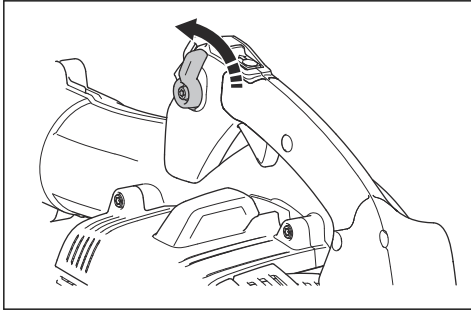
MISE EN GARDE : De petites erreurs peuvent influencer considérablement le ratio de mélange lors du mélange de petites quantités de carburant. Mesurer soigneusement la quantité d'huile et s'assurer d'obtenir le mélange approprié.



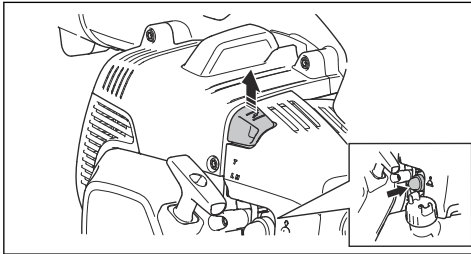
1. Remplir la moitié de la quantité d'essence dans un récipient propre destiné à contenir du carburant.
2. Ajouter la quantité totale d'huile.
3. Agiter le mélange de carburant.
4. Ajouter la quantité restante d'essence dans un récipient.
5. Agiter avec précaution le mélange de carburant.

Mise sous tension de l'appareil

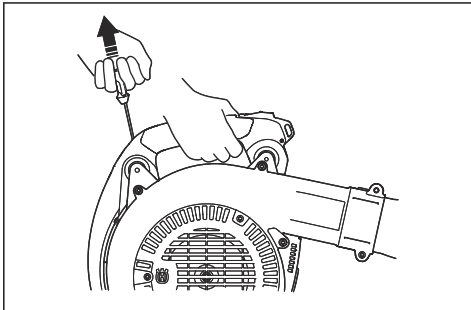
1. Placez la commande d'accélération en position de ralenti.



2. Si le moteur est froid, poussez le starter en position du starter fermé.



3. Appuyer sur la poire de purge d'air à plusieurs reprises jusqu'à ce que du carburant commence à remplir la poire de purge. Il n'est pas nécessaire de remplir entièrement la poire de pompe à carburant.
4. Placez le produit sur une surface plane au sol.
5. Tenez le produit avec la main droite.



MISE EN GARDE : N'utilisez pas vos pieds pour tenir le produit.

6. Tirez lentement la poignée du câble du démarreur jusqu'à ressentir une résistance.

7. Tirez rapidement la poignée du câble du démarreur avec votre main droite. Tirez sur la poignée du câble du démarreur plusieurs fois jusqu'à ce que le moteur démarre.

Remarque : Ne pas tirer complètement le câble du lanceur et ne pas lâcher la poignée du câble du lanceur.

8. Si le moteur est froid, placez le starter en position ouverte.
9. Si le moteur est froid, laissez-le chauffer pendant 2 à 3 minutes avant de l'utiliser.



AVERTISSEMENT : L'air est libéré au démarrage du moteur et lorsque le produit est réglé au régime de ralenti. Ne laissez personne s'approcher à proximité du produit ou du tuyau de l'aspiro-souffleur.

Utilisation du produit

- Utiliser le produit aux heures de travail habituelles. Respecter les règlements locaux.
- Réduire le nombre de pièces d'équipement et sélectionner la vitesse adaptée à votre tâche. Utiliser l'accélérateur à la position la plus basse possible pour éviter plus de bruit et de poussière que nécessaire.
- Maintenir la buse de soufflante près du sol.

Remarque : Husqvarna recommande d'utiliser l'extension de buse de soufflante complète.

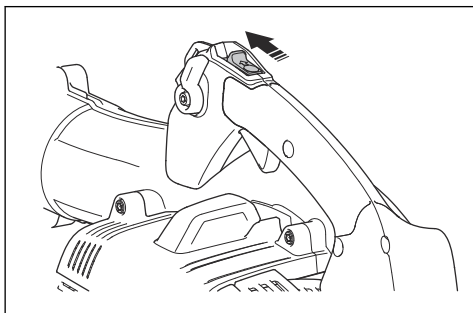
- Noter la direction du vent et faire fonctionner le produit dans la direction du vent.
- Utiliser les outils de jardin appropriés pour dégager les matériaux du sol.
- Dans les zones où de la poussière est présente, utiliser un pulvérisateur pour mouiller la zone. Cela permet de réduire le temps de fonctionnement.
- Après utilisation, garder le produit en position verticale lors de l'entreposage.

Pour couper le moteur



MISE EN GARDE : Ne pas arrêter le produit à pleine vitesse.

- Mettez l'interrupteur de marche/arrêt en position d'arrêt.



Entretien

Introduction



AVERTISSEMENT : Lire et comprendre le chapitre sur la sécurité avant de faire l'entretien du produit.

Calendrier d'entretien

Entretien	Quotidien	Toutes les semaines	Mensuel
Nettoyer les surfaces externes.	X		
S'assurer que la commande d'accélération fonctionne correctement.	X		
S'assurer que l'interrupteur de marche/arrêt fonctionne correctement. Reportez-vous à la section <i>Pour vérifier l'interrupteur de marche/arrêt à la page 36.</i>	X		
Vérifiez si le moteur, le réservoir de carburant et les conduites de carburant présentent des fuites. Vérifier le filtre à carburant à la recherche de contamination. Remplacez le filtre à carburant si nécessaire.	X		
Nettoyez le filtre à air. Remplacez le filtre à air si nécessaire.	X		
Serrer les écrous et les vis.	X		
Examiner l'admission d'air et vérifier qu'elle n'est pas obstruée.	X		
Vérifiez si le démarreur et le câble de démarreur sont endommagés.		X	
Examiner les éléments antivibrations pour s'assurer qu'ils ne présentent pas de dommages, de fissures ou de déformations. Vérifier que les éléments antivibrations sont correctement installés.		X	
Vérifier la bougie d'allumage. Reportez-vous à la section <i>Pour vérifier la bougie d'allumage à la page 41.</i>		X	
Nettoyez le système de refroidissement.		X	
Nettoyez la surface extérieure du carburateur et la zone autour de celui-ci.		X	
Nettoyez le réservoir de carburant.			X

Entretien	Quotidien	Toutes les semaines	Mensuel
Vérifier tous les câbles et toutes les connexions.			X
Examiner et nettoyer l'écran pare-étincelles sur le silencieux (pour les produits sans pot catalytique).		X	
Examiner et nettoyer l'écran pare-étincelles sur le silencieux (pour les produits avec pot catalytique).			X
Remplacer la bougie d'allumage. Les remplacer au besoin.			X

Réglage du régime de ralenti

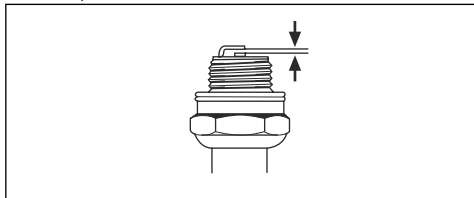
1. S'assurer que le filtre à air est propre et que le couvercle de filtre à air est fixé.
2. Régler le régime de ralenti à l'aide de la vis de réglage de ralenti. Pour connaître l'emplacement de la vis de réglage de ralenti sur votre produit, se reporter à *Aperçu du produit à la page 32*.

Pour vérifier la bougie d'allumage



MISE EN GARDE : Utiliser la bougie recommandée. Se reporter à la section *Pour vérifier la bougie d'allumage à la page 41*. Une bougie inadéquate peut endommager l'outil.

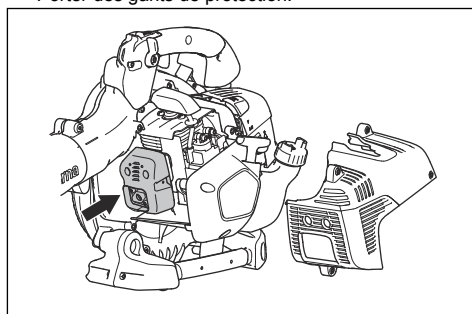
1. Couper le moteur et le laisser refroidir.
2. Nettoyer la bougie si elle est sale.
3. Vérifier que l'écartement des électrodes est correct. Se reporter à la section .



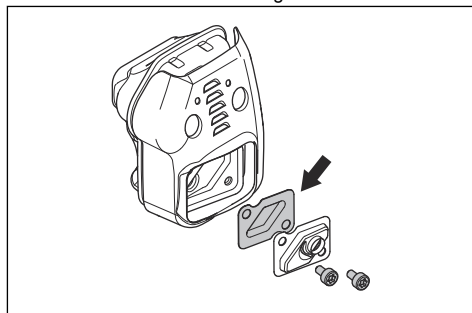
4. Remplacer la bougie d'allumage une fois par mois ou plus fréquemment, au besoin.

Pour procéder à l'entretien du silencieux

1. Couper le moteur et laisser le silencieux refroidir. Porter des gants de protection.



2. Retirez la protection du silencieux.
3. Procéder à un contrôle visuel. Remplacez l'écran antiflamme s'il est endommagé.



Examiner et nettoyer le système de refroidissement

Le système de refroidissement comprend les ailettes de refroidissement du cylindre et la grille d'entrée d'air.

1. Couper le moteur.
2. S'assurer que le système de refroidissement n'est pas sale ou obstrué. Si nécessaire, nettoyer la grille d'entrée d'air et les ailettes de refroidissement.



MISE EN GARDE : Un système de refroidissement encrassé ou bloqué peut augmenter la température du moteur, ce qui peut endommager le produit. Une grille d'entrée d'air obstruée diminue la force de soufflage.

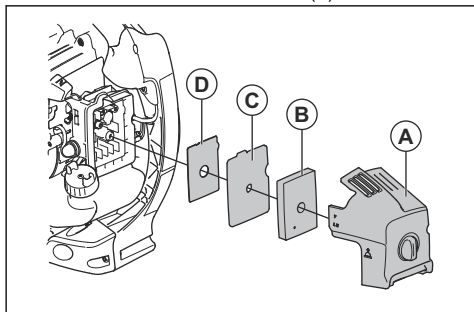
3. Examiner le système de refroidissement pour détecter d'éventuels dommages. S'assurer que les pièces sont correctement fixées au produit.

Nettoyage du filtre à air



MISE EN GARDE : n'utilisez pas de produit sans filtre à air ou avec un filtre à air endommagé. La poussière présente dans l'air peut endommager le moteur.

1. Poussez le starter en position du starter fermé.
2. Retirer le couvercle du filtre à air (A).



3. Retirer le filtre à air (B) du carter de filtre.
4. Nettoyez le filtre à air (B) avec de l'eau chaude et du savon.

Remarque : Un filtre à air qui a servi longtemps ne peut pas être complètement propre. Remplacez le filtre à air régulièrement et remplacez toujours un filtre à air défectueux.

5. Nettoyer la surface intérieure du couvercle du filtre à air (A) à l'aide d'une brosse.
6. Retirez et remplacez le filtre en feutre (C) s'il est sale.
7. Installez l'écran (D), le filtre en feutre (C) et le filtre à air (B).
8. Installez le couvercle de filtre à air (A) sur le produit.

Dépannage

Il est impossible de démarrer le moteur

Vérification	Cause possible	Solution
Touche Stop.	Position Stop	Régler l'interrupteur d'arrêt à la position de démarrage.
Cliquets de lanceur à rappel.	Cliquets de lanceur à rappel bloqués ou usés.	Régler ou remplacer les cliquets de lanceur à rappel.
		Nettoyer alentour des cliquets.
		Communiquer avec un fournisseur de services d'entretien agréé.
Réservoir de carburant.	Type de carburant inapproprié.	Vidanger le réservoir de carburant et utiliser le carburant correct.
Carburateur.	Réglage du régime de ralenti.	Régler le régime de ralenti à l'aide de la vis de réglage de ralenti.

Il est impossible de démarrer le moteur		
Vérification	Cause possible	Solution
Allumage (aucun allumage).	Bougie d'allumage sale ou humide.	S'assurer que la bougie est propre et sèche.
	L'écartement des électrodes sur la bougie d'allumage est incorrect.	Nettoyer la bougie d'allumage. Vérifier que l'écartement des électrodes est correct. S'assurer que la bougie est installée avec un supprimeur.
		Consulter les caractéristiques techniques pour connaître l'écartement correct des électrodes.
Bougie d'allumage.	Bougie desserrée.	Serrer la bougie d'allumage.
	Il y a des débris sur les électrodes de la bougie d'allumage.	Vérifier que le mélange de carburant est correct.
		Vérifier que le filtre à air est propre.

Le moteur démarre, mais s'arrête à nouveau		
Vérifier	Cause possible	Solution
Réservoir de carburant.	Type de carburant inapproprié.	Vidanger et utiliser le carburant approprié.
Carburateur.	Le moteur ne fonctionne pas correctement au régime de ralenti.	Communiquer avec votre centre de services.
Filtre à air.	Filtre à air bouché.	Nettoyer le filtre à air.

Transport et entreposage



AVERTISSEMENT : Pour éviter tout risque d'incendie, s'assurer qu'il n'y a pas de fuites ou de fumées pendant le transport ou l'entreposage. S'assurer qu'il n'y a pas de risque de production d'étincelles ou d'incendie.

- Retirer la bougie d'allumage et verser environ 15 ml d'huile deux-temps dans le cylindre. Faire tourner 3 fois le moteur à vide et remettre la bougie en place.
 - Fixer le produit au véhicule de façon sécuritaire pendant le transport.
 - Garder le produit dans un endroit sec et frais et propre avec une bonne circulation d'air. Garder la machine à l'écart des enfants.
- Vider le réservoir de carburant avant tout transport ou remisage pendant une période prolongée. Appuyez sur la poire d'amorçage d'air pour s'assurer que tout le carburant est retiré. Mettre au rebut le carburant à un emplacement adéquat.
 - Avant d'entreposer le produit à long terme, s'assurer qu'il est bien nettoyé et en effectuer l'entretien complet.

Données techniques

Caractéristiques techniques

	Husqvarna 525BX
Moteur	
Cylindrée, cm ³	25,4
Régime de ralenti, tr/min	3000
Convertisseur catalytique	Oui
Système d'allumage	
Bougie	NGK BPMR8Y
Écartement des électrodes, mm / po	0,6 à 0,7/0,024 à 0,028
Circuits d'alimentation et de lubrification	
Capacité du réservoir de carburant, L / pte US	0,45/0,95
Poids	
Poids sans carburant, kg / lb	4,4/9,7
Performances du ventilateur	
Vitesse maximale de l'air avec buse ronde, m/s	70
Vitesse maximale de l'air avec buse plate, m/s	86
Débit d'air avec buse ronde, m ³ /min	13
Débit d'air avec buse plate, m ³ /min	10

Garantie

DÉCLARATION DE GARANTIE DU SYSTÈME DE CONTRÔLE DES ÉMISSIONS D'ÉCHAPPEMENT ET D'ÉVAPORATION DU GOUVERNEMENT FÉDÉRAL AMÉRICAIN ET DU CANADA

VOS DROITS ET OBLIGATIONS EN VERTU DE LA GARANTIE

La U.S. Environmental Protection Agency (EPA), Environnement et Changement climatique Canada et Husqvarna Professional Products, Inc. vous présentent la garantie du système de contrôle des émissions d'échappement et d'évaporation (les « émissions ») qui protège votre petit moteur hors route de l'année 2012 et ultérieure*. Aux États-Unis et au Canada, l'équipement neuf équipé d'un petit moteur hors-route doit être conçu, fabriqué et équipé de manière à répondre aux strictes normes antipollution de l'État ou de la province. Husqvarna Professional Products, Inc. doit garantir les systèmes de contrôle antipollution de votre petit moteur hors route pendant les périodes figurant sur la liste ci-dessous à condition que votre petit moteur hors route ou tout autre équipement ne présente aucun signe d'abus, de négligence ou d'entretien inapproprié menant à la défaillance du système de contrôle des émissions. Votre système de contrôle des émissions peut contenir des pièces telles qu'un carburateur ou système d'injection de carburant, un système d'allumage, un pot catalytique, des réservoirs de carburant, des conduites de carburant (pour le carburant liquide et les vapeurs de carburant), des bouchons de réservoir de carburant, des vannes, des cartouches, des filtres, des colliers de serrage et d'autres composants associés. Il peut aussi comprendre des tuyaux, des courroies, des connecteurs et d'autres pièces relatives aux émissions. Si une condition de garantie existe, Husqvarna Professional Products, Inc. réparera gratuitement votre petit moteur non routier (diagnostic, pièces et main-d'œuvre compris).

COUVERTURE DE LA GARANTIE DU FABRICANT

Le système de contrôle des émissions polluantes et par évaporation de votre petit moteur non routier est garanti pendant deux ans. Si une des pièces liées aux émissions de votre petit moteur non routier est défectueuse, la pièce sera réparée ou remplacée par Husqvarna Professional Products, Inc..

RESPONSABILITÉS DU PROPRIÉTAIRE EN VERTU DE LA GARANTIE

- À titre de propriétaire d'un petit moteur hors route, vous êtes tenu d'effectuer l'entretien obligatoire indiqué dans le manuel de l'utilisateur. Husqvarna Professional Products, Inc. vous recommande de

conserver tous les reçus concernant l'entretien de votre petit moteur non routier, mais Husqvarna Professional Products, Inc. ne peut pas refuser d'appliquer la garantie en se basant uniquement sur l'absence de reçus ou votre non-respect du programme d'entretien.

- En tant que propriétaire d'un petit moteur non routier, Husqvarna Professional Products, Inc. peut refuser d'appliquer la garantie si le défaut de votre petit moteur ou de l'une de ses pièces est dû à un abus, une négligence, un entretien inapproprié ou des modifications non autorisées.
- Vous devez présenter votre petit moteur hors route à un centre de réparation Husqvarna Professional Products, Inc. agréé dès que le problème se manifeste. Les réparations sous garantie doivent être effectuées dans un délai raisonnable de 30 jours maximum. Pour toute question relative à vos droits et responsabilités relativement à votre garantie, communiquer avec Husqvarna Professional Products, Inc. au CANADA au 1-800-487-5951 ou aux ÉTATS-UNIS au 1-800-805-5523, ou alors envoyer un courriel à l'adresse emissions@husqvarnagroup.com ou warranty@hqp-emissions.com.

DATE D'ENTRÉE EN VIGUEUR DE LA GARANTIE

La période de garantie commence à la date à laquelle le moteur ou l'équipement est livré à l'acheteur.

DURÉE DE LA COUVERTURE

Husqvarna Professional Products, Inc. garantit au dernier acheteur et à chacun des propriétaires suivants que le petit moteur ou l'équipement hors route a été conçu, construit et équipé dans le respect de toutes les réglementations applicables édictées par l'EPA et est exempt de tout défaut matériel ou de fabrication pouvant provoquer la panne d'une pièce garantie pendant une période de deux ans.

SONT COUVERTS

RÉPARATION OU REMPLACEMENT DES PIÈCES : la réparation ou le remplacement de toute pièce défectueuse sous garantie sera effectué sans aucuns frais pour le propriétaire au sein d'un atelier d'entretien agréé par la marque. Pour les travaux d'entretien, de remplacement et de réparation des dispositifs et des systèmes de contrôle des émissions non couverts par la garantie du contrôle des émissions, vous pouvez faire appel à n'importe quel atelier de réparation ou réparateur. Cependant, Husqvarna Professional Products, Inc. recommande que toutes les opérations d'entretien, de remplacement et de réparation des dispositifs et systèmes antipollution soient effectuées dans un centre de services agréé par la marque.

IMPORTANT : Le présent produit est conforme à la réglementation de la Phase 3 de l'Environmental Protection Agency (EPA) des États-Unis en ce qui concerne les émissions d'échappement et d'évaporation. Afin de garantir le respect des règlements de l'EPA Phase 3, d'Environnement et Changement climatique Canada, nous recommandons d'utiliser uniquement des pièces de rechange de la marque du produit d'origine. L'utilisation de pièces de rechange non conformes est une infraction à la législation fédérale et à celle de certains États.

PÉRIODE DE GARANTIE : Toute pièce sous garantie dont le remplacement n'est pas prévu dans le manuel d'entretien ou pour laquelle il est seulement prévu une inspection régulière en vue de « réparer ou remplacer si nécessaire » est garantie pour une période de 2 ans ou pour la période définie dans la garantie du produit (la durée la plus longue s'applique), à compter de la date d'achat par l'acquéreur et utilisateur initial. Toute pièce sous garantie dont le remplacement est prévu dans le manuel d'entretien est garantie uniquement pour la période allant jusqu'au premier remplacement prévu de cette pièce. Toute pièce réparée ou remplacée en vertu de la garantie est couverte pendant la période de garantie restante.

DIAGNOSTIC : le propriétaire n'est pas tenu de payer le diagnostic visant à déterminer si la pièce sous garantie est défectueuse si le diagnostic est effectué dans un atelier d'entretien agréé par la marque.

AUTRES DOMMAGES : Husqvarna Professional Products, Inc. réparera les dommages causés à d'autres pièces du moteur en raison de la défaillance d'une pièce encore couverte par la garantie.

LISTE DES PIÈCES COUVERTES PAR LA GARANTIE DE CONTRÔLE DES ÉMISSIONS

1. Carburateur et pièces du système d'admission ou système d'injection de carburant.
2. Filtre à air et filtre à carburant couverts dans la limite du calendrier d'entretien.
3. Bougie d'allumage, couverte si le calendrier d'entretien est respecté.
4. Module d'allumage.
5. Silencieux avec catalyseur et collecteurs d'échappement.
6. Réservoir de carburant, conduites de carburant (pour le carburant liquide et les vapeurs de carburant), bouchon de réservoir, réservoir à charbon actif, clapet antiretour en cas de retournement et clapets antibalottement si applicable.*
7. Commandes électroniques, soupapes et interrupteurs sensibles au vide, à la température et au temps.
8. Flexibles, raccords et ensembles.
9. Tous les autres composants dont la défaillance augmenterait les émissions polluantes et par

évaporation du moteur d'un polluant réglementé par les règlements suivants :

- pour les États-Unis et le Canada, voir US Federal Code of Regulations (le Code des règlements fédéraux), 40 C.F.R 1068, annexe I (iii).

NE SONT PAS COUVERTS

Toutes les pannes résultant d'une utilisation abusive, d'une négligence, de modifications non approuvées, d'une mauvaise utilisation ou d'un entretien inapproprié.

PIÈCES COMPLÉMENTAIRES OU MODIFIÉES

Aucune pièce complémentaire ou modifiée non affranchie par l'EPA ne peut être utilisée. L'utilisation de toute pièce complémentaire ou modifiée non exemptée peut constituer un motif de refus de prise en charge par la garantie. Husqvarna Professional Products, Inc. ne sera pas tenue de garantir les pannes de pièces sous garantie causées par l'utilisation d'une pièce complémentaire ou modifiée non exemptée.

COMMENT PRÉSENTER UNE DEMANDE D'INDEMNISATION

Pour toute question portant sur vos droits et responsabilités relatifs à la garantie, contactez votre atelier d'entretien agréé le plus proche ou appelez Husqvarna Professional Products, Inc. aux ÉTATS-UNIS au 1-800-487-5951, au CANADA au 1-800-805-5523, ou envoyez un e-mail à emissions@husqvarnagroup.com ou à warranty@hqp-emissions.com.

OÙ JOINDRE LE SERVICE DE GARANTIE?

Les entretiens ou les réparations dans le cadre de la garantie sont assurés par tous les ateliers d'entretien Husqvarna Professional Products, Inc. agréés. Si l'atelier d'entretien agréé se trouve à plus de 100 miles (1 600 km), Husqvarna Professional Products, Inc. gèrera et paiera le transport aller-retour vers un atelier d'entretien agréé par la marque, ou vous procura les services de garantie conformément aux réglementations applicables.

ENTRETIEN, REMPLACEMENT ET RÉPARATION DES PIÈCES RELATIVES AUX ÉMISSIONS

Toute pièce de remplacement peut être utilisée pour procéder à un entretien ou à une réparation sous garantie et elle sera fournie sans frais pour le propriétaire. Un tel remplacement n'aura pas pour effet de réduire les obligations du fabricant relativement à la garantie.

DÉCLARATION D'ENTRETIEN

Le propriétaire est tenu de respecter l'entretien obligatoire prévu dans le manuel de l'utilisateur.

* Pièces liées aux émissions par évaporation.

Husqvarna®

www.husqvarna.com

Original instructions
Instrucciones originales
Instructions d'origine

1143202-49



2024-02-01