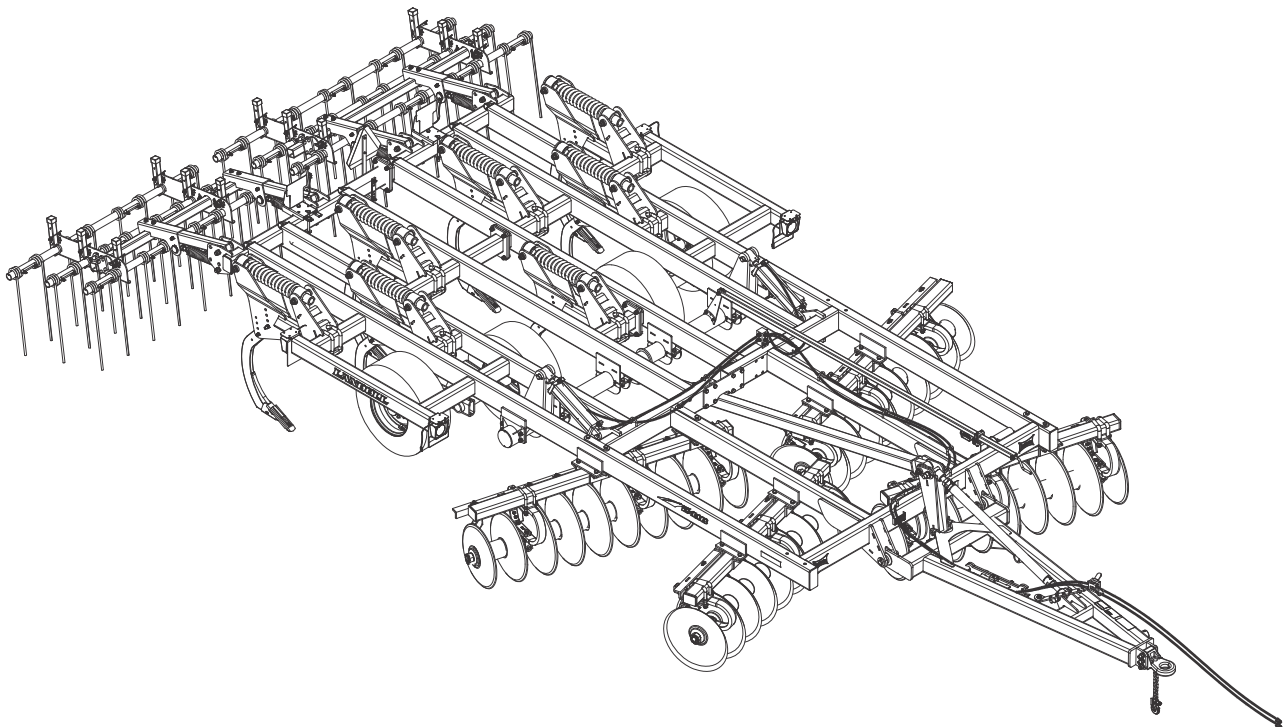




Model 2410 Weatherproofer I Parts Manual



LANDOLL CORPORATION

1900 North Street
Marysville, Kansas 66508
(785) 562-5381

800-428-5655 ~ WWW.LANDOLL.COM

Table of Contents

1 Instructions for Ordering Parts

2 Illustrated Parts List

GENERAL ASSEMBLY	2-1
FRAME ASSEMBLY (2410-6-24)	2-3
FRAME ASSEMBLY (2410-7-24)	2-5
FRAME ASSEMBLY (2410-9-24)	2-7
DEPTH STOP AND LIFT ASSEMBLY (2410-6-24)	2-9
HUB AND SPINDLE ASSEMBLY, 8 BOLT	2-11
DEPTH STOP AND LIFT ASSEMBLY (2410-7-24 & 2410-9-24)	2-13
HUB AND SPINDLE ASSEMBLY, 8 BOLT	2-15
HITCH AND LEVELING LINKAGE ASSEMBLY	2-17
HITCH ASSEMBLIES	2-18
7,000 Lb. Sidewind Jack Assembly	2-19
LEVELER ASSEMBLY	2-20
DEPTH STOP TUBE ASSEMBLY	2-23
SHANK CLAMP ASSEMBLY	2-25
DISC GANG ASSEMBLY, 26"	2-28
DISC GANG ASSEMBLY, 24"	2-32
DISC GANG ASSEMBLY, 24" ROLLABLE	2-36
FINISHING COMBO W/ CHOPPER REEL ASSEMBLY	2-39
FINISHING COMBO W/ CONDITIONER REEL ASSEMBLY	2-41
FINISHING COMBO W/ REEL HYDR. AND MISC. PARTS ASSEMBLY (2410-6-24)	2-43
FINISHING COMBO W/ REEL HYDR. AND MISC. PARTS ASSEMBLY (2410-7-24)	2-45
FINISHING COMBO W/ REEL HYDR. AND MISC. PARTS ASSEMBLY (2410-9-24)	2-47
COMBO ATTACHMENT HARROW ARM ASSEMBLY	2-49
Hydraulic Cylinder - 2-1/2" X 2-1/2"	2-50
Hydraulic Cylinder - 2-1/2" X 3-1/2" (7/8" Threads)	2-51
Hydraulic Cylinder - 2-1/2" X 3-1/2" (1-1/8" Threads)	2-52
3 ROW COIL TINE HARROW ASSEMBLY	2-55
FINISHING CHOPPER ASSEMBLY	2-57

FINISHING CONDITIONER REEL ASSEMBLY	2-59
FINISHING REEL HYDRAULIC AND MISCELLANEOUS PARTS ASSEMBLY (2410-6-24) ...	2-61
FINISHING REEL HYDRAULIC AND MISCELLANEOUS PARTS ASSEMBLY (2410-7-24) ...	2-63
FINISHING REEL HYDRAULIC AND MISCELLANEOUS PARTS ASSEMBLY (2410-9-24) ...	2-65
REEL/GANGBAR ASSEMBLY	2-67
CONDITIONER REEL/GANGBAR ASSEMBLY	2-69
REEL ARM ASSEMBLY	2-71
REEL ARM ASSEMBLY	2-73
FINISHING HARROW ASSEMBLY	2-75
COIL TINE HARROW ARM ASSEMBLY	2-77
3 ROW COIL TINE HARROW ASSEMBLY	2-79
REAR JACK ASSEMBLY	2-81
ELECTRICAL ASSEMBLY (PRIOR TO AUGUST, 2013) (2410-7-24)	2-83
ELECTRICAL ASSEMBLY W/ LED LIGHTS (AFTER AUGUST, 2013) (2410-7-24)	2-85
ELECTRICAL ASSEMBLY (PRIOR TO AUGUST, 2013) (2410-6-24 & 2410-9-24)	2-87
ELECTRICAL ASSEMBLY W/ LED LIGHTS (AFTER AUGUST, 2013) (2410-6-24 & 2410-9-24)	2-89
HYDRAULIC ASSEMBLY (2410-6-24)	2-91
HYDRAULIC ASSEMBLY (2410-7-24 & 2410-9-24)	2-93
Hydraulic Cylinder - 3-1/2" X 16"	2-94
Hydraulic Cylinder - 4" X 16"	2-95
DECAL INSTALLATION	2-97

3 Numerical Index

Instructions for Ordering Parts

ORDER PARTS FROM LANDOLL PARTS DISTRIBUTION CENTER

**** Repair parts must be ordered through an Authorized Dealer ****

PHONE NO.: 1-800-423-4320 OR 1-800-428-5655 OR 1-785-562-5381

FAX NO.: 888-527-3909

ORDER ONLINE: companystore.landoll.com

IDENTIFICATION PLATE

The identification plate, which lists the model number and serial number, is located on the left side of the hitch (See Figure 1-1.)

SERIAL NUMBER NOMENCLATURE

The serial number for the 2410 Weatherproofer I is located on the identification plate.

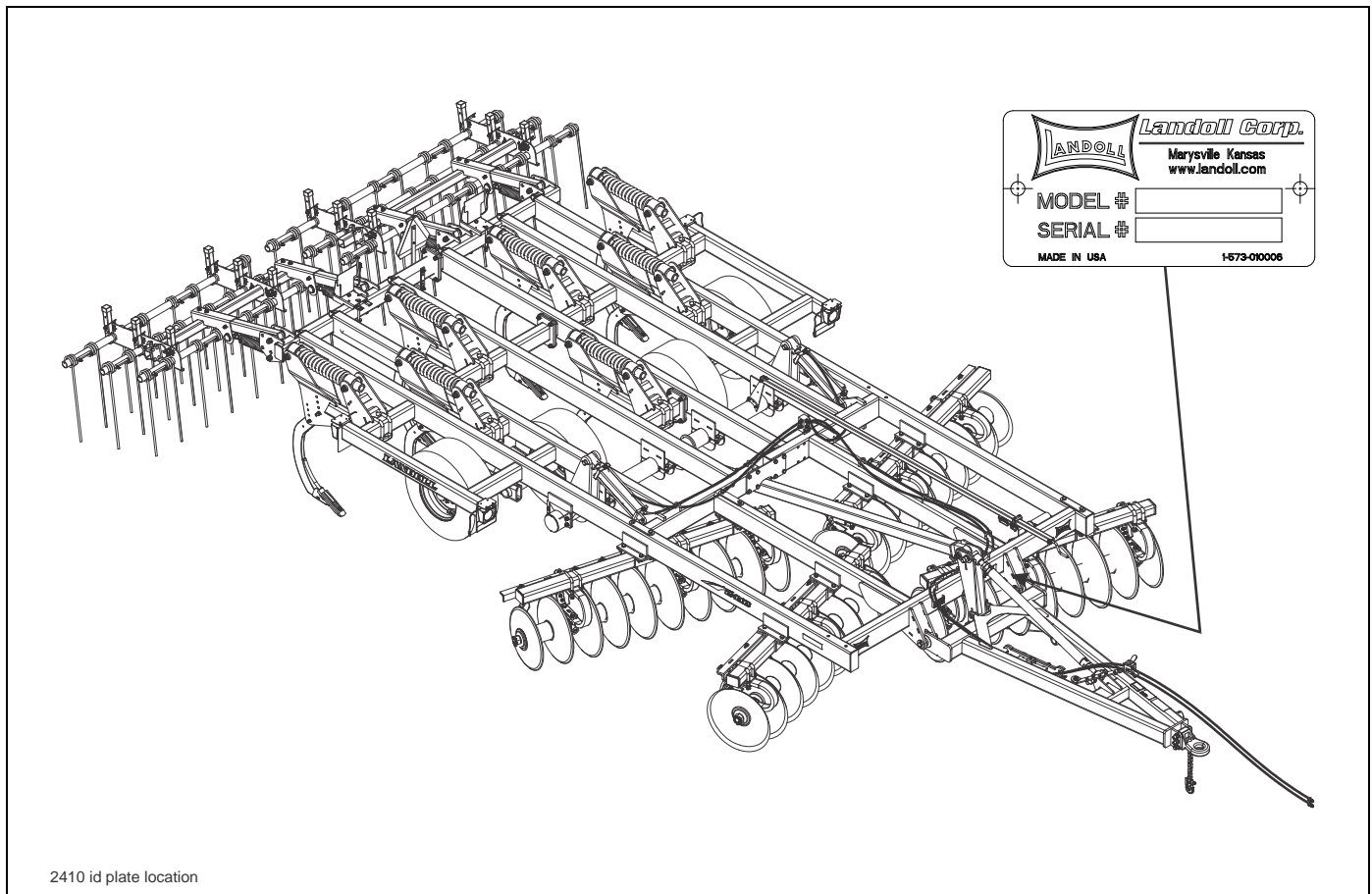


Figure 1-1: Identification Plate and Location

Page Intentionally Blank

Illustrated Parts List

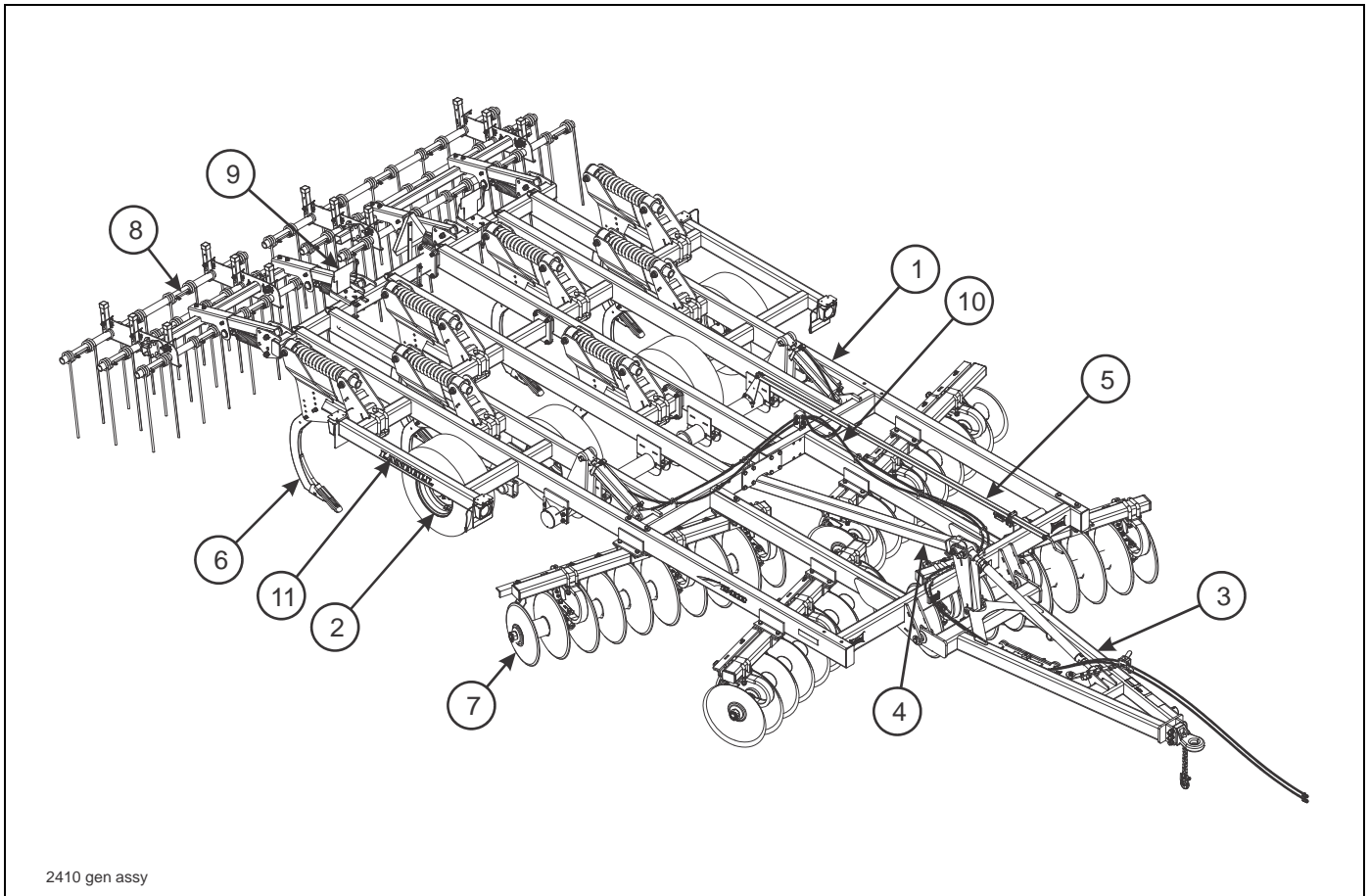
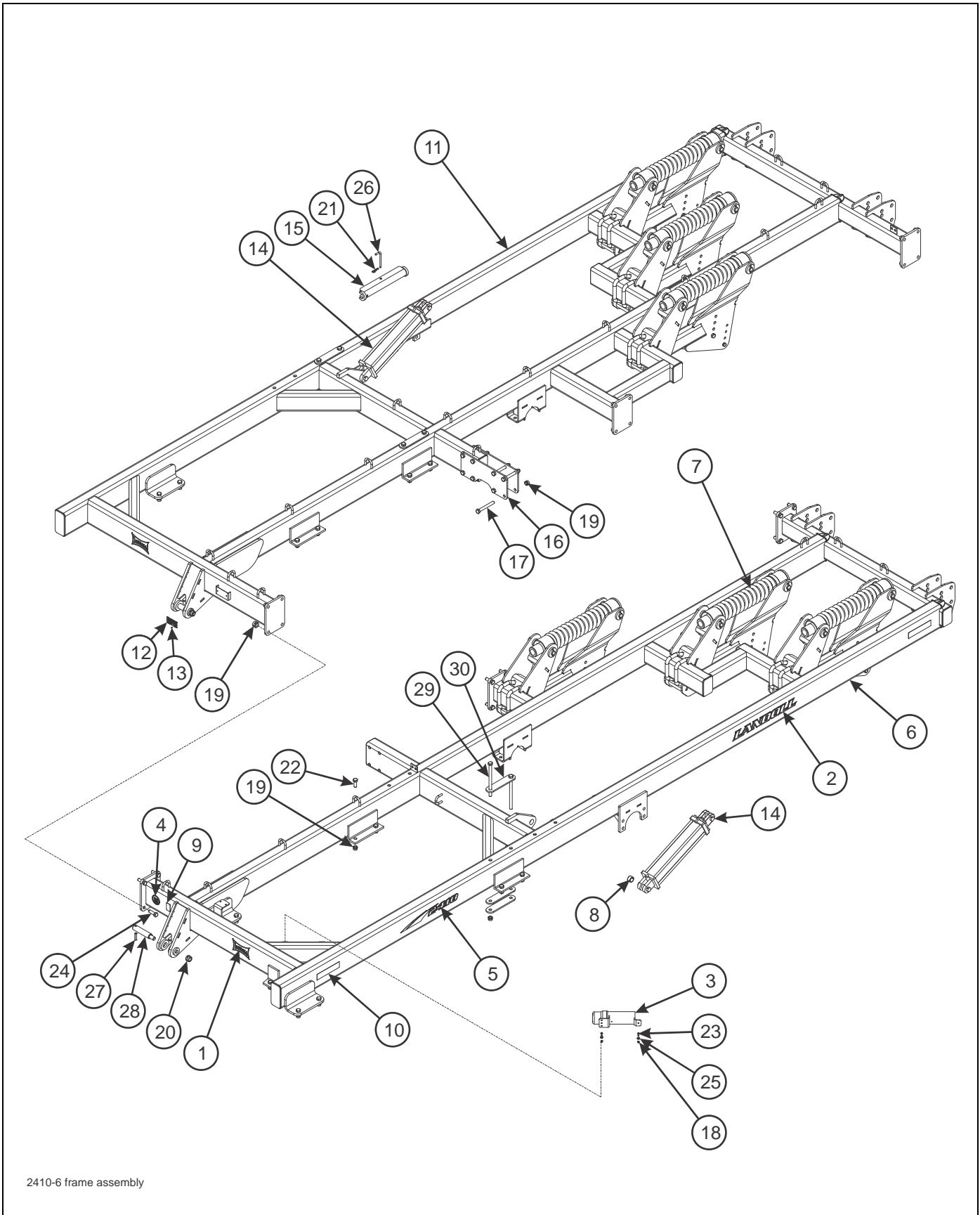


Figure 2-1: General Assembly

GENERAL ASSEMBLY

ITEM	PAGE NO.	DESCRIPTION	QTY.
1	2-2 - 2-7	FRAME ASSEMBLIES	
2	2-8 - 2-15	LIFT ASSEMBLIES	
3	2-16 - 2-18	HITCH ASSEMBLIES	
4	2-20	LEVELER ASSEMBLY	
5	2-22 - 2-23	DEPTH STOP TUBE ASSEMBLY	
6	2-24 - 2-25	SHANK CLAMP ASSEMBLY	
7	2-26 - 2-36	DISC GANG ASSEMBLIES	
8	2-38 - 2-81	FINISHING AND REAR JACK ASSEMBLIES	
9	2-82 - 2-89	ELECTRICAL ASSEMBLIES	
10	2-90 - 2-95	HYDRAULIC ASSEMBLIES	
11	2-96 - 2-97	DECAL INSTALLATION	

ILLUSTRATED PARTS LIST



2410-6 frame assembly

Figure 2-2: Frame Assembly (2410-6-24)

FRAME ASSEMBLY (2410-6-24)

ITEM	PART NO.	DESCRIPTION	QTY.
	172057	LH FRAME ASSEMBLY (2410-6-24)	
	172058	RH FRAME ASSEMBLY (2410-6-24)	
1	141259	DECAL, LANDOLL YELLOW	4
2	141260	DECAL, LANDOLL	2
3	142753	MANUAL HOLDER	1
4	144193	DECAL, SIS 20MPH	1
5	166571	DECAL, MODEL 2410	2
6	170286	FRAME WELDMENT, LH	1
7	171811	CLAMP ASSEMBLY (SEE PAGE 2-25)	7
8	2-150-010174	BUSHING, 1-5/8 X 1-1/4 X 1	2
9	2-573-010198	DECAL MEMBER FEMA	1
10	528934	REFLECTOR, YELLOW 2 X 9	4
11	170285	FRAME WELDMENT, RH	1
12	1-573-010006	PLATE, NAME	1
13	156010	RIVET, BLIND .156 X 1/2 GRIP	2
14	145207	CYLINDER, HYDRAULIC 3-1/2 X 16 (SEE PAGE 2-94)	2
15	146828	LOCKOUT, 1-1/2 X 16	2
16	170709	PLATE, FRAME JOINT	2
17	W908409-4	SCREW, HEX HEAD CAP 3/4-10 X 6	8
18	1-512-010005-01	NUT, HEX LOCK 1/4-20 GRB	2
19	1-512-010005-15	NUT, HEX LOCK 3/4-10 GRB	56
20	1-512-010005-19	NUT, HEX LOCK 1-8 GRB	2
21	1-557-010403	HAIRPIN, 1/8	2
22	1-654-010032-05	SCREW, HEX HEAD CAP 3/4-10 X 2 GR8	26
23	1-654-010047-06	SCREW, HEX HEAD CAP 1/4-20 X 1 GR5	2
24	1-654-010061-06	SCREW, HEX HEAD CAP 3/4-10 X 2-1/4 GR5	16
25	1-861-010032-07	WASHER, FLAT 1/4	2
26	104358	L PIN, CYL STOP	2
27	144115	PIN, GROOVED ALLOY 1/2 X 2-1/4	2
28	144493	PIN, HITCH	2
29	160789	SCREW, HEX HEAD CAP 3/4-10 X 11 GR8	6
30	170292	PLATE, CLAMP	9

ILLUSTRATED PARTS LIST

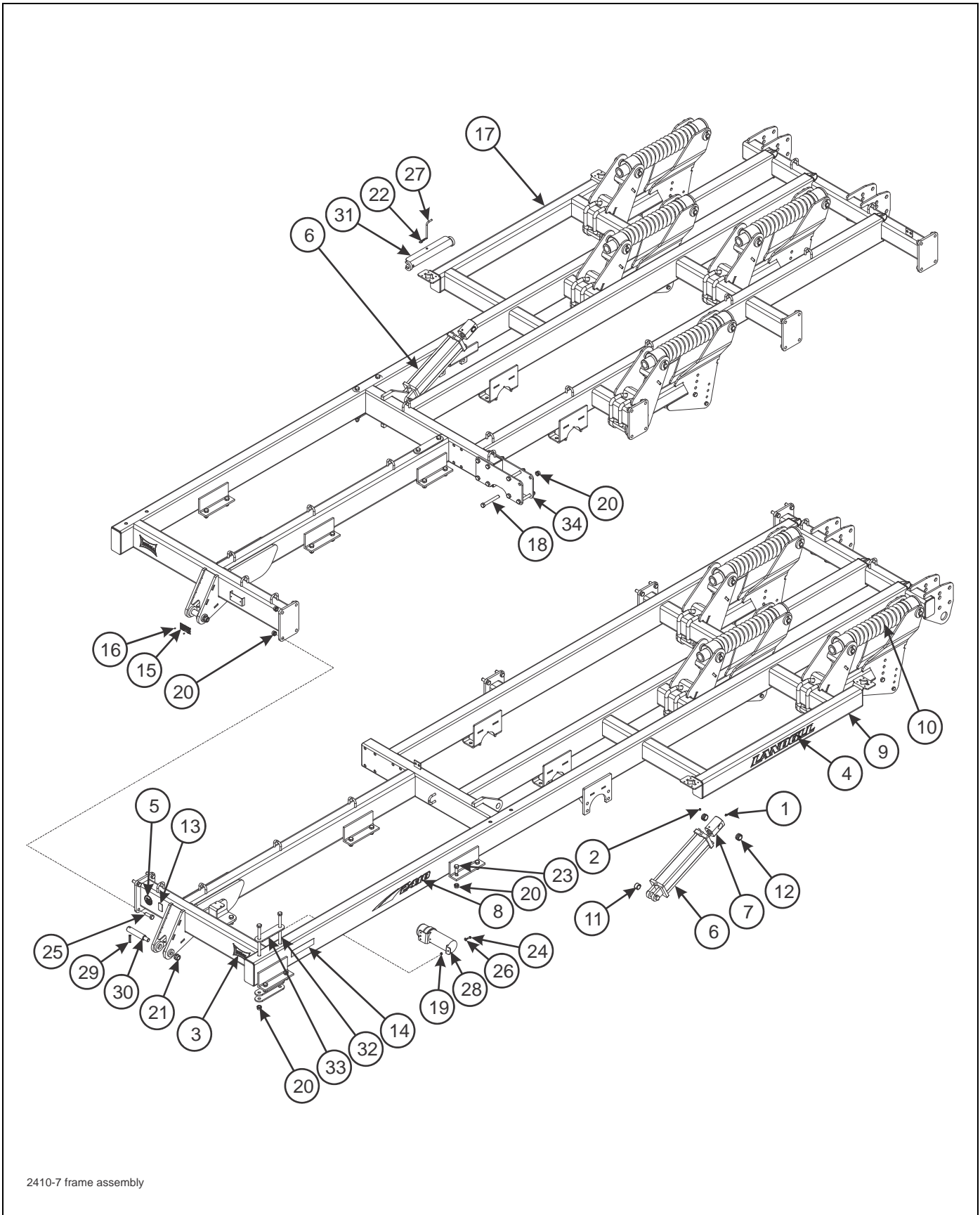


Figure 2-3: Frame Assembly (2410-7-24)

FRAME ASSEMBLY (2410-7-24)

ITEM	PART NO.	DESCRIPTION	QTY.
	172066	LH FRAME ASSEMBLY (2410-7-24)	
	172067	RH FRAME ASSEMBLY (2410-7-24)	
1	1-298-010001-1	FITTING, GREASE 1/4-28 STR SHORT	2
2	122709	SCREW, SET HEX SOCKET CUP POINT 3/8-16 X 1/2	2
3	141259	DECAL, LANDOLL YELLOW	4
4	141260	DECAL, LANDOLL	2
5	144193	DECAL, SIS 20MPH	1
6	144322	CYLINDER, HYDRAULIC 4 X 16 (SEE PAGE 2-95)	2
7	165238	BLOCK, CYLINDER ROD	2
8	166571	DECAL, MODEL 2410	2
9	170046	FRAME WELDMENT, LH	1
10	171811	CLAMP ASSEMBLY (SEE PAGE 2-25)	7
11	2-150-010174	BUSHING, 1-5/8 X 1-1/4 X 1	2
12	2-150-010218	BUSHING, LEVELING LINKAGE	4
13	2-573-010198	DECAL MEMBER FEMA	1
14	528934	REFLECTOR, YELLOW 2 X 9	4
15	1-573-010006	PLATE, NAME	1
16	156010	RIVET, BLIND .156 X 1/2 GRIP	2
17	170049	FRAME WELDMENT, RH	1
18	W908409-4	SCREW, HEX HEAD CAP 3/4-10 X 6	8
19	1-512-010005-01	NUT, HEX LOCK 1/4-20 GRB	2
20	1-512-010005-15	NUT, HEX LOCK 3/4-10 GRB	24
21	1-512-010005-19	NUT, HEX LOCK 1-8 GRB	2
22	1-557-010403	HAIRPIN, 1/8	2
23	1-654-010032-05	SCREW, HEX HEAD CAP 3/4-10 X 2 GR8	26
24	1-654-010047-06	SCREW, HEX HEAD CAP 1/4-20 X 1 GR5	2
25	1-654-010061-06	SCREW, HEX HEAD CAP 3/4-10 X 2-1/4 GR5	16
26	1-861-010032-07	WASHER, FLAT 1/4	2
27	104358	L PIN, CYL STOP	2
28	142753	MANUAL HOLDER	1
29	144115	PIN, GROOVED ALLOY 1/2 X 2-1/4	2
30	144493	PIN, HITCH	2
31	146828	LOCKOUT, 1-1/2 X 16	2
32	160789	SCREW, HEX HEAD CAP 3/4-10 X 11 GR8	6
33	170292	PLATE, CLAMP	9
34	170709	PLATE, FRAME JOINT	2

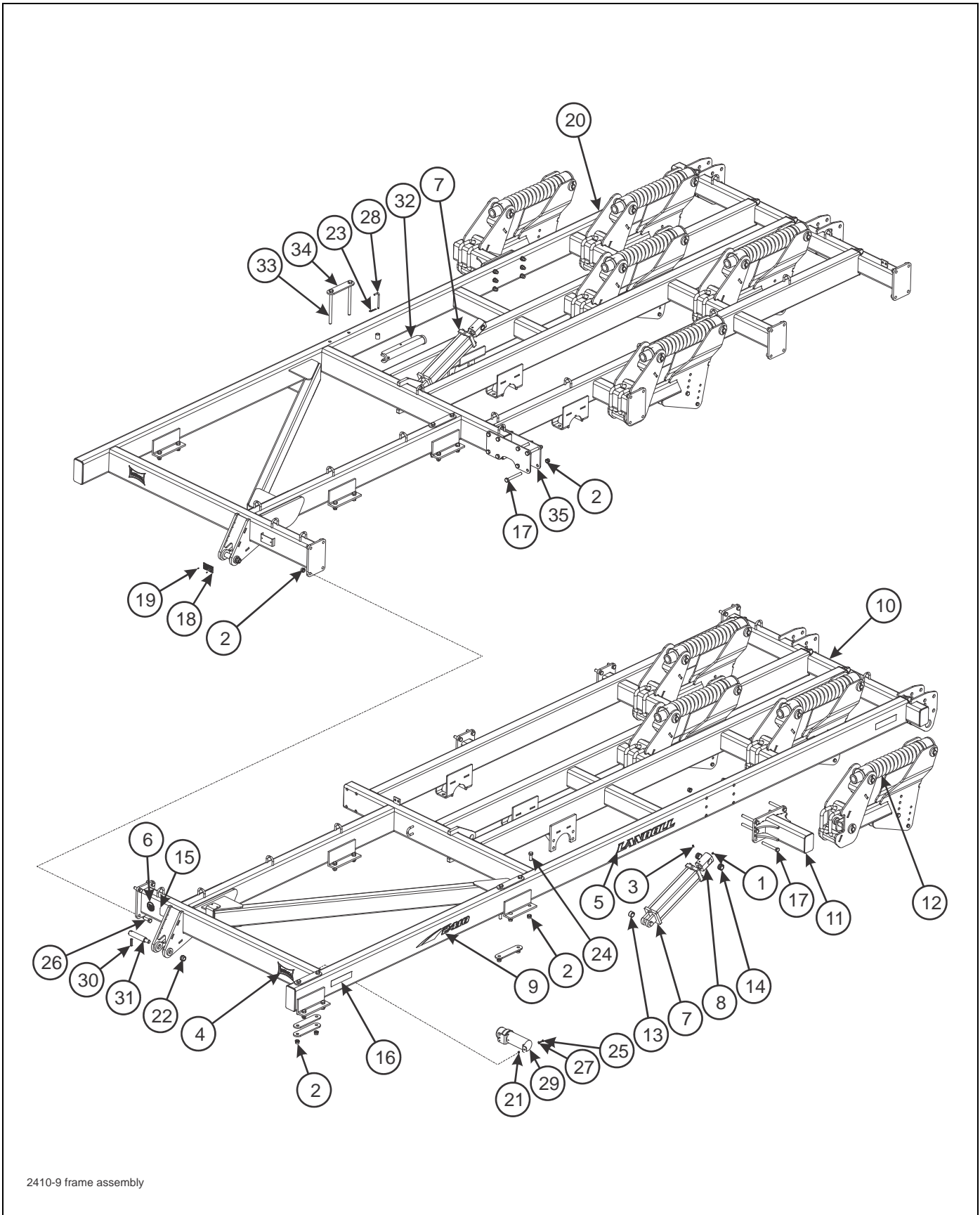
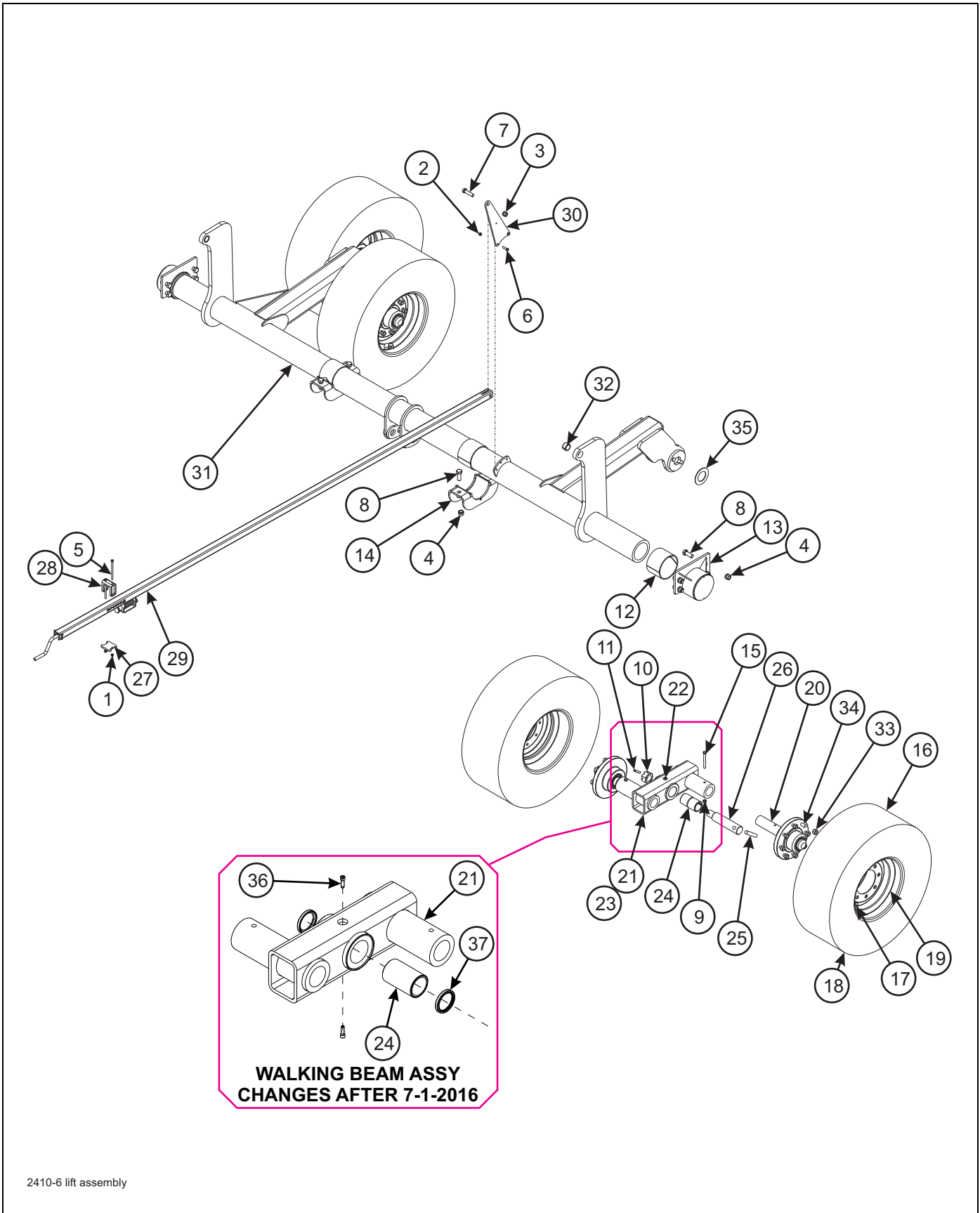


Figure 2-4: Frame Assembly (2410-9-24)

FRAME ASSEMBLY (2410-9-24)

ITEM	PART NO.	DESCRIPTION	QTY.
	172060	LH FRAME ASSEMBLY (2410-9-24)	
	172061	RH FRAME ASSEMBLY (2410-9-24)	
1	1-298-010001-1	FITTING, GREASE 1/4-28 STR SHORT	2
2	1-512-010005-15	NUT, HEX LOCK 3/4-10 GRB	68
3	122709	SCREW, SET HEX SOCKET CUP POINT 3/8-16 X 1/2	2
4	141259	DECAL, LANDOLL YELLOW	4
5	141260	DECAL, LANDOLL	2
6	144193	DECAL, SIS 20MPH	1
7	144322	CYLINDER, HYDRAULIC 4 X 16 (SEE PAGE 2-95)	2
8	165238	BLOCK, CYLINDER ROD	2
9	166571	DECAL, MODEL 2410	2
10	169720	FRAME WELDMENT, LH	1
11	170816	EXTENSION WELDMENT	1
12	171811	CLAMP ASSEMBLY (SEE PAGE 2-25)	9
13	2-150-010174	BUSHING, 1-5/8 X 1-1/4 X 1	2
14	2-150-010218	BUSHING, LEVELING LINKAGE	2
15	2-573-010198	DECAL MEMBER FEMA	1
16	528934	REFLECTOR, YELLOW 2 X 9	4
17	W908409-4	SCREW, HEX HEAD CAP 3/4-10 X 6	20
18	1-573-010006	PLATE, NAME	1
19	156010	RIVET, BLIND .156 X 1/2 GRIP	2
20	169719	FRAME WELDMENT, RH	1
21	1-512-010005-01	NUT, HEX LOCK 1/4-20 GRB	2
22	1-512-010005-19	NUT, HEX LOCK 1-8 GRB	2
23	1-557-010403	HAIRPIN, 1/8	2
24	1-654-010032-05	SCREW, HEX HEAD CAP 3/4-10 X 2 GR8	23
25	1-654-010047-06	SCREW, HEX HEAD CAP 1/4-20 X 1 GR5	2
26	1-654-010061-06	SCREW, HEX HEAD CAP 3/4-10 X 2-1/4 GR5	16
27	1-861-010032-07	WASHER, FLAT 1/4	2
28	104358	L PIN, CYL STOP	2
29	142753	MANUAL HOLDER	1
30	144115	PIN, GROOVED ALLOY 1/2 X 2-1/4	2
31	144493	PIN, HITCH	2
32	146828	LOCKOUT, 1-1/2 X 16	2
33	160789	SCREW, HEX HEAD CAP 3/4-10 X 11 GR8	8
34	170292	PLATE, CLAMP	12
35	170709	PLATE, FRAME JOINT	2



2410-6 lift assembly

Figure 2-5: Depth Stop and Lift Assembly (2410-6-24)

DEPTH STOP AND LIFT ASSEMBLY (2410-6-24)

ITEM	PART NO.	DESCRIPTION	QTY.
	172059	LIFT ASSEMBLY	
1	1-512-010005-03	NUT, HEX LOCK 5/16-18 GRB	2
2	1-512-010005-05	NUT, HEX LOCK 3/8-16 GRB	2
3	1-512-010005-13	NUT, HEX LOCK 5/8-11 GRB	1
4	1-512-010005-15	NUT, HEX LOCK 3/4-10 GRB	18
5	1-654-010049-19	SCREW, HEX HEAD CAP 5/16-18 X 5 GR5	2
6	1-654-010051-06	SCREW, HEX HEAD CAP 3/8-16 X 1-1/4 GR5	2
7	1-654-010059-07	SCREW, HEX HEAD CAP 5/8-11 X 2-1/2 GR5	1
8	1-654-010061-05	SCREW, HEX HEAD CAP 3/4-10 X 2 GR5	16
9	101988	NUT, HEX LOCK 7/16-14 GRB	4
10	119118	NUT, HEX SLOTTED 7/16-14 GRB	4
11	127712	PIN, SPRING SLOTTED 3/8 X 2-1/4	2
12	140519	BEARING, UHMW 4"	5
13	141209	BEARING CAP, LIFT	2
14	141234	BEARING CAP, LIFT	4
15	141809	SCREW, HEX HEAD CAP 7/16-14 X 4 GR5	2
16	142648	TIRE AND WHEEL ASSEMBLY 12.5L X 15 (PRIOR 1-1-2017) (INCL ITEMS 17-19)	4
	181615	TIRE & WHEEL ASSY, 340/60R16.5 (AFTER 1-1-2017) (INCL ITEMS 17-19)	4
17	140548	WHEEL, 15 X 10 8 BOLT (PRIOR 1-1-2017)	1
	181616	WHEEL, 16.5X11 8-BOLT 1.125 (AFTER 1-1-2017)	1
18	2-798-010106	TIRE, 12.5L X 15 HEAVY DUTY (PRIOR 1-1-2017)	1
	181617	TIRE 340/60R 16.5 IMP (AFTER 1-1-2017)	1
19	TR416	VALVE STEM, TUBELESS TIRE (PRIOR 1-1-2017)	1
	TR575	VALVE STEM TUBELESS TIRE (AFTER 1-1-2017)	
20	147553	8 BOLT HUB/SPINDLE ASSY, 2-1/4" (SEE PAGE 2-11)	4
21	156010	WALKING BEAM ASSEMBLY 2-1/4" (PRIOR 7-1-2016) (INCL. ITEMS 22 & 24)	2
	198342	WALKING BEAM ASSY 2-1/4" (AFTER 7-1-2016) (INCL ITEMS 24, 36 & 37)	
22	153804	FITTING, GREASE STR LONG 1/4-28 (PRIOR 7-1-2016)	4
23	157008	WALKING BEAM, 2-1/4 SPINDLE	2
24	158903	BUSHING, SPRING 2-1/2 X 2 X 4-5/8 (PRIOR 7-1-2016)	2
	187169	TANDEM PIVOT ASSY -2" (AFTER 7-1-2016)	
25	156992	PIN, WALKING BEAM SPINDLE	2
26	157019	SPINDLE, WALKING BEAM	2
27	165257	PAD, SLIDE	2
28	165265	GUIDE, DEPTH STOP	1
29	169726	DEPTH STOP TUBE ASSEMBLY (SEE PAGE 2-23)	1
30	169727	PLATE, DEPTH STOP TALL	1
31	170284	ROCKSHAFT	1
32	2-150-010174	BUSHING, 1-5/8 X 1-1/4 X 1	2
33	102600	LUG NUT (8 BOLT)	8
34	143067	STUD BOLT (8 BOLT)	8
35	160597	WASHER, THRUST 2"	4
36	200129	SCREW SOCKET HD CAP 5/16-24X1 (AFTER 7-1-2016)	4
37	198322	SEAL, V17, DOUBLE LIP 2" (AFTER 7-1-2016)	2

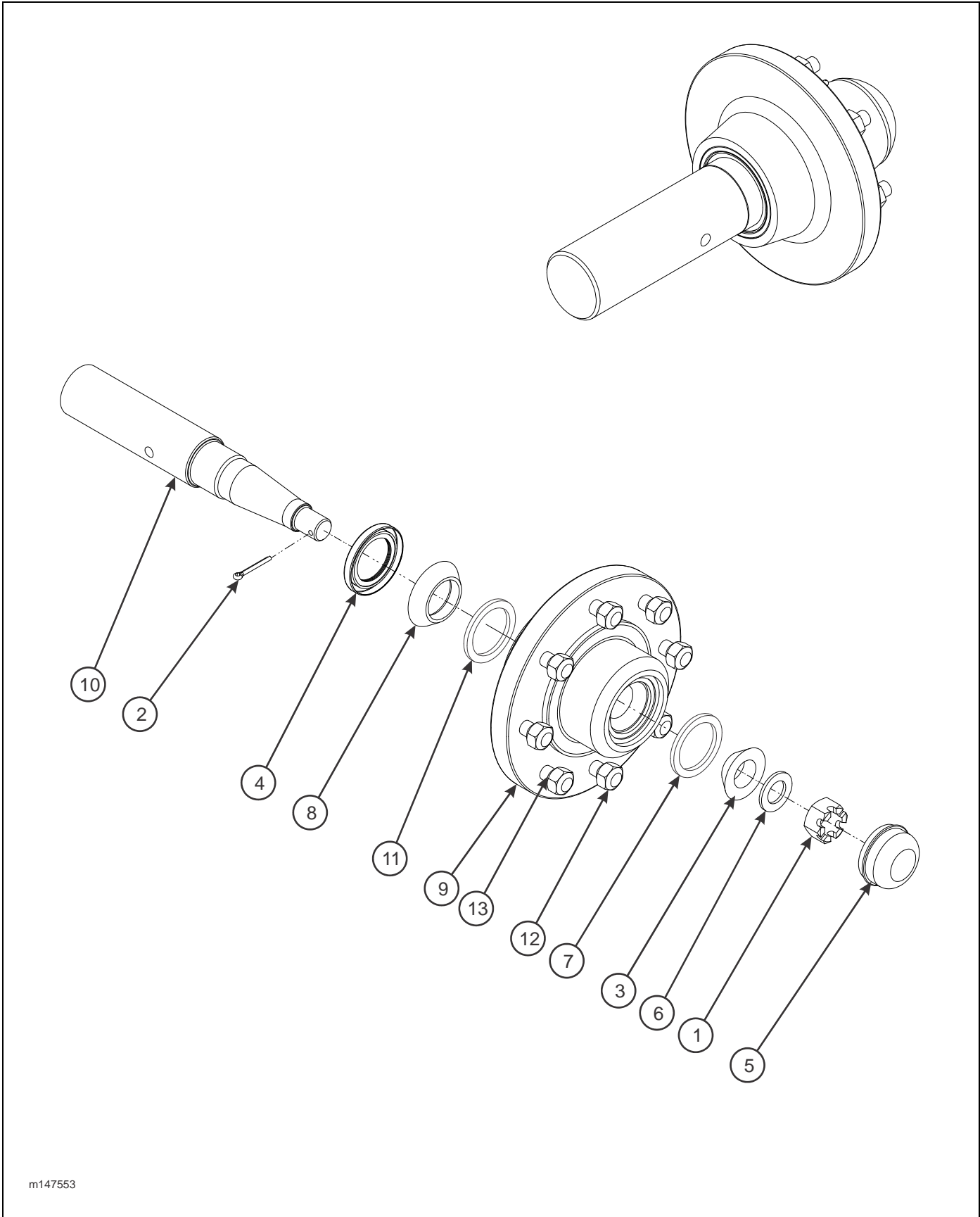


Figure 2-6: Hub and Spindle Assembly, 8-Bolt

HUB AND SPINDLE ASSEMBLY, 8 BOLT

ITEM	PART NO.	DESCRIPTION	QTY.
	147553	HUB AND SPINDLE ASSEMBLY, 8 BOLT	
1	1-516-010001-20	NUT, HEX SLOT 1-14	1
2	1-557-010362-51	PIN, COTTER 3/16 X 1-1/2	1
3	1-076-010007	CONE, OUTER BEARING	1
4	140554	SEAL, GREASE	1
5	141236	DUST CAP, WHEEL HUB	1
6	141238	WASHER, SPINDLE	1
7	1-076-010010	BEARING CUP	1
8	140595	CONE, BEARING	1
9	140646	HUB W/ CUPS 8 BOLT (INCL ITEMS 7 & 11)	1
10	141198	SPINDLE 2-1/4"	1
11	140594	CUP, BEARING INNER	1
12	102600	LUG NUT (8 BOLT)	8
13	143067	WHEEL STUD (8 BOLT)	8
	141867	HUB ASSEMBLY, 8 BOLT (INCL. ITEMS 3-5, 8-9)	

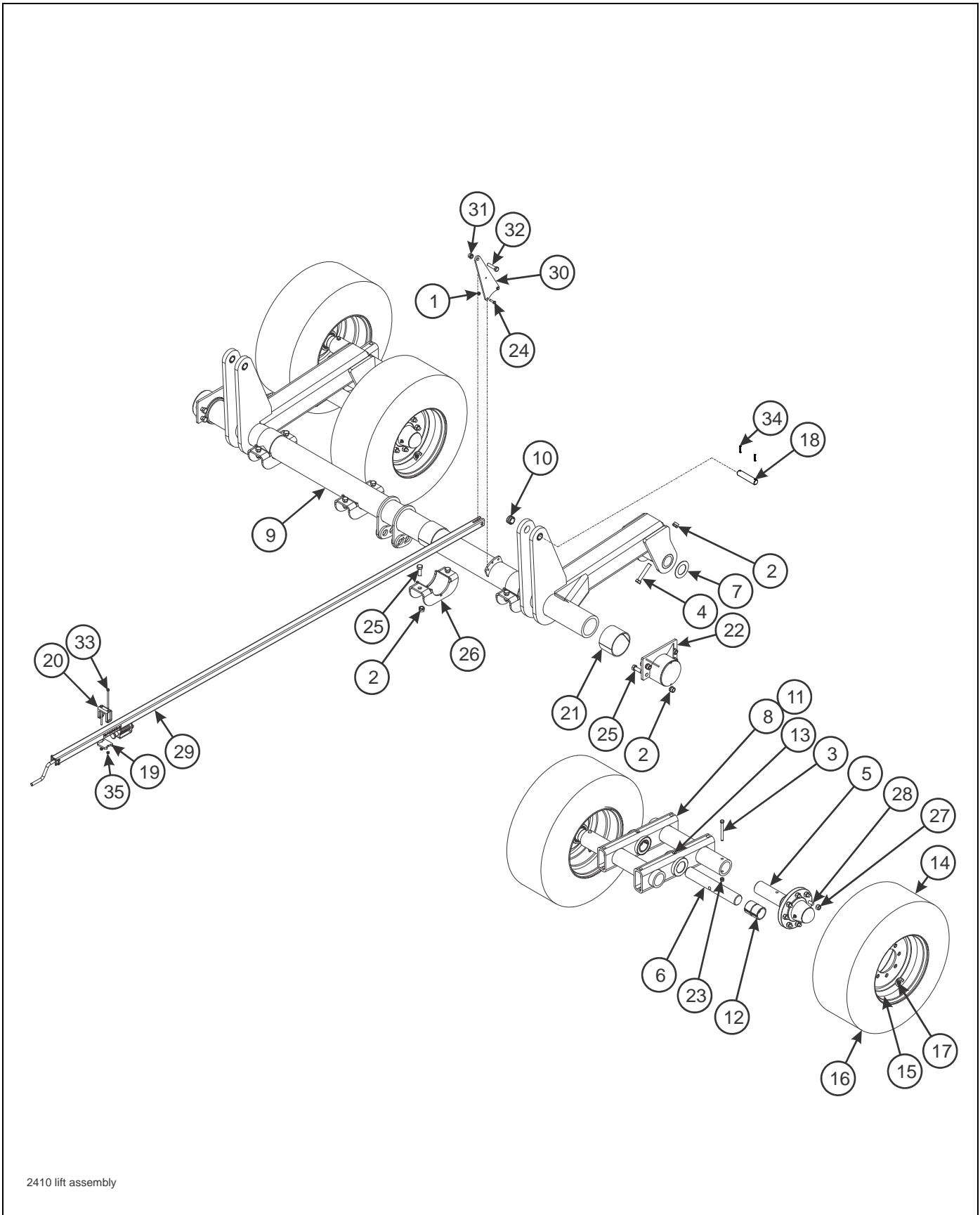


Figure 2-7: Depth Stop and Lift Assembly (2410-7-24 & 2410-9-24)

DEPTH STOP AND LIFT ASSEMBLY (2410-7-24 & 2410-9-24)

ITEM	PART NO.	DESCRIPTION	QTY.
	172062	STANDARD LIFT ASSEMBLY	
1	1-512-010005-05	NUT, HEX LOCK 3/8-16 GRB	2
2	1-512-010005-15	NUT, HEX LOCK 3/4-10 GRB	18
3	1-654-010055-15	SCREW, HEX HEAD CAP 1/2-13 X 5 GR5	4
4	126108	SCREW, HEX HEAD CAP 3/4-10 X 4-1/2 GR8	2
5	156972	HUB AND SPINDLE ASSEMBLY, 8 BOLT (SEE PAGE 2-15)	4
6	164501	SPINDLE, WALKING BEAM	2
7	164563	WASHER, THRUST 2-1/2	4
8	170296	WALKING BEAM ASSEMBLY, 3-1/4" (INCL ITEMS 9-11)	2
9	170706	ROCKSHAFT	2
10	2-150-010218	BUSHING, LEVELING LINKAGE	2
11	169167	WALKING TANDEM SPINDLE 3-1/4 SPECIAL	2
12	165286	BUSHING, SPRING 3 X 2-1/2 X 4	4
13	153804	FITTING, GREASE STR LONG 1/4-28	8
14	171010	TIRE AND WHEEL ASSEMBLY (INCL ITEMS 15-17)	4
15	171011	WHEEL, 8 BOLT	1
16	165236	TIRE, 380/55R 16.5 IMP	1
17	TR575	VALVE STEM, TUBELESS TIRE	1
18	165256	PIN, LIFT	2
19	165257	PAD, SLIDE	2
20	165265	GUIDE, DEPTH STOP	1
21	140519	BEARING, UHMW 4"	5
22	141209	BEARING CAP, LIFT	2
23	1-512-010005-09	NUT, HEX LOCK 1/2-13 GRB	4
24	1-654-010051-06	SCREW, HEX HEAD CAP 3/8-16 X 1-1/4 GR5	2
25	1-654-010061-05	SCREW, HEX HEAD CAP 3/4-10 X 2 GR5	16
26	141234	BEARING CAP, LIFT	4
27	102600	LUG NUT (8 BOLT)	8
28	143067	WHEEL STUD (8 BOLT)	8
29	169726	DEPTH STOP TUBE ASSEMBLY (SEE PAGE 2-23)	1
30	169727	PLATE, DEPTH STOP TALL	1
31	1-512-010005-13	NUT, HEX LOCK 5/8-11 GRB	1
32	1-654-010059-07	SCREW, HEX HEAD CAP 5/8-11 X 2-1/2 GR5	1
33	1-654-010049-19	SCREW, HEX HEAD CAP 5/16-18 X 5 GR5	2
34	1-647-010004240	PIN, SPRING SLOTTED 5/16 X 2-1/2	4
35	1-512-010005-03	NUT, HEX LOCK 5/16-18 GRB	2

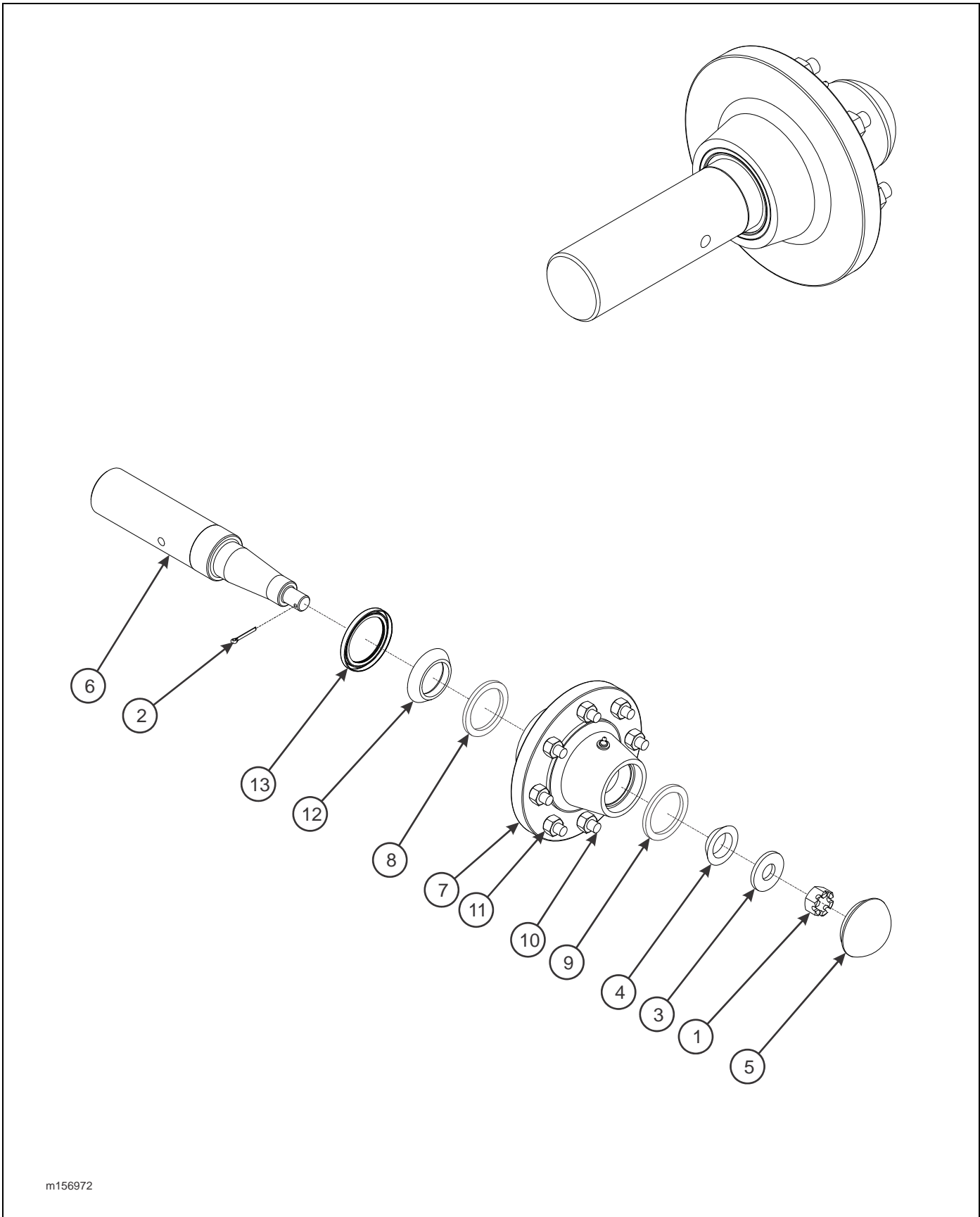


Figure 2-8: Hub and Spindle Assembly, 8-Bolt

HUB AND SPINDLE ASSEMBLY, 8 BOLT

ITEM	PART NO.	DESCRIPTION	QTY.
	156972	HUB AND SPINDLE ASSEMBLY, 8 BOLT	
1	1-516-010001-20	NUT, HEX SLOT 1-14	1
2	1-557-010362-51	PIN, COTTER 3/16 X 1-1/2	1
3	1-861-010005	WASHER, SPINDLE 1	1
4	102498	BEARING CONE, OUTER1.625	1
5	102601	HUB CAP, 8 BOLT	1
6	156973	SPINDLE, 3 X 16-1/2	1
7	156974	HUB W/ CUPS, 8 BOLT 7500 LBS. (INCL. ITEMS 8 - 11)	1
8	111962	INNER CUP	1
9	102604	OUTER CUP	1
10	143067	STUD BOLT	8
11	102600	NUT	8
12	156979	CONE BEARING	1
13	159970	SEAL, TRIPLE LIP 4OD X 3ID X 3/8	1
	168859	HUB ASSEMBLY, 8 BOLT (INCL. ITEMS 4-5, 7, 12-13)	

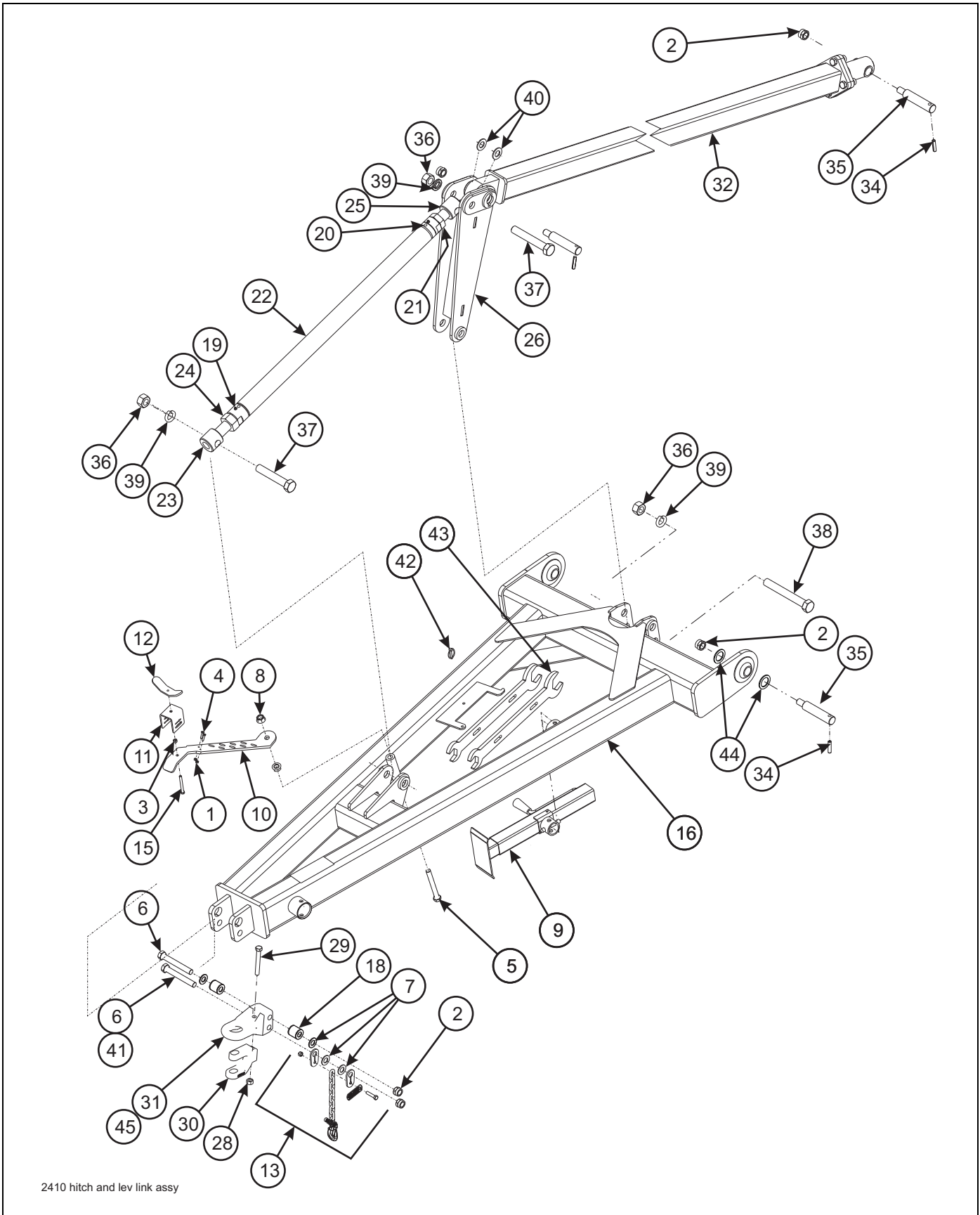


Figure 2-9: Hitch and Leveling Linkage Assembly

HITCH AND LEVELING LINKAGE ASSEMBLY

ITEM	PART NO.	DESCRIPTION	QTY.
	146822	HITCH ASSEMBLY, CAT III	
	146832	HITCH ASSEMBLY, CAT IV	
1	1-512-010005-01	NUT HEX LOCK 1/4-20 GRB	2
2	1-512-010005-19	NUT HEX LOCK 1-8 GRB	*9,8
3	1-512-010007-07	NUT, HEX 3/8-16	1
4	1-654-010047-06	SCREW, HEX HEAD CAP 1/4-20 X 1 GR5	2
5	1-654-010061-19	SCREW, HEX HEAD CAP 3/4-10 X 7 GR5	1
6	153696	BOLT, HITCH CLEVIS 1-8 X 7-1/2 GR8	*2,1
7	1-861-010032-24	WASHER, FLAT 1N	4
8	103841	NUT, FLANGE PREVAILING TORQUE 3/4-10	2
9	140647	JACK, SIDEWIND 7,000 LB (SEE PAGE 2-19)	1
10	141246	BRACKET, HOSE HOLDER	1
11	141247	CLAMP, HOSE HOLDER	1
12	141249	WING NUT, HOSE HOLDER	1
13	141434	SAFETY CHAIN	1
	156950	SAFETY CHAIN, 41,000 LB	1
15	141807	SCREW, ALL THREAD 3/8-16 X 3-1/2	1
16	144473	HITCH WELDMENT	1
18	2-150-010228	BUSHING, HITCH	2
19	1-298-010001-1	ZERK FITTING 1/4	2
20	103-0805	PIN, ROLL 1/4 X 1-3/4	2
21	155717	NUT, HEX JAM 1-3/4-5 LH GRB	1
22	155538	RADIUS ROD, HITCH	1
23	155534	RH SCREW ASSEMBLY, RADIUS ROD	1
24	155716	NUT, HEX JAM 1-3/4-5 GRB	1
25	155536	LH SCREW ASSEMBLY, RADIUS ROD	1
26	145190	TOWER, LEVELER	1
27	100844	HITCH AND CLEVIS, CAT III (INCL ITEMS 28-31)	1
28	1-512-010008-12	NUT, HEX 3/4-16 GRB	1
29	1-654-010087-16	SCREW, HEX HEAD CAP 3/4-16 X 5-1/2 GR8	1
30	100214	HITCH, CLEVIS	1
31	2-375-010601	HITCH, RING, CAT III	1
	2-375-010602	HITCH RING, CAT IV	1
32	169584	LEVELER ASSEMBLY (SEE PAGE 2-20)	1
33	2-181-010001	HOSE CLAMP (NOT SHOWN)	2
34	144115	PIN, GROOVED ALLOY 1/2 X 2-1/4	2
35	144493	PIN, HITCH	2
36	1-512-010007-16	NUT, HEX 1-1/4-7	3
37	1-654-010123-01	SCREW, HEX HEAD CAP 1-1/4-7 X 8 GR8	2
38	100808	SCREW, HEX HEAD CAP 1-1/4-7 X 9-1/2 GR8	1
39	100825	WASHER, SPLIT LOCK 1-1/4	3
40	116100	WASHER, FLAT 1-1/4 N	2
41	1-654-010125-22	SCREW, HEX HEAD CAP 1-8 X 8-1/2 GR8 (146832)	1
42	70239854	PIN, QUICK HITCH	1
43	155564	WRENCH, ADJUSTMENT	2
44	170258	BUSHING, MACHINE 1-1/2 X 10 GA	4
45	177030	HITCH, BALL CAT III (SEE PAGE 2-18)	1

* 1ST QUANTITY USED W/ P/N 146822 CAT III HITCH; 2ND QUANTITY USED W/ P/N 146832 CAT IV HITCH

ILLUSTRATED PARTS LIST

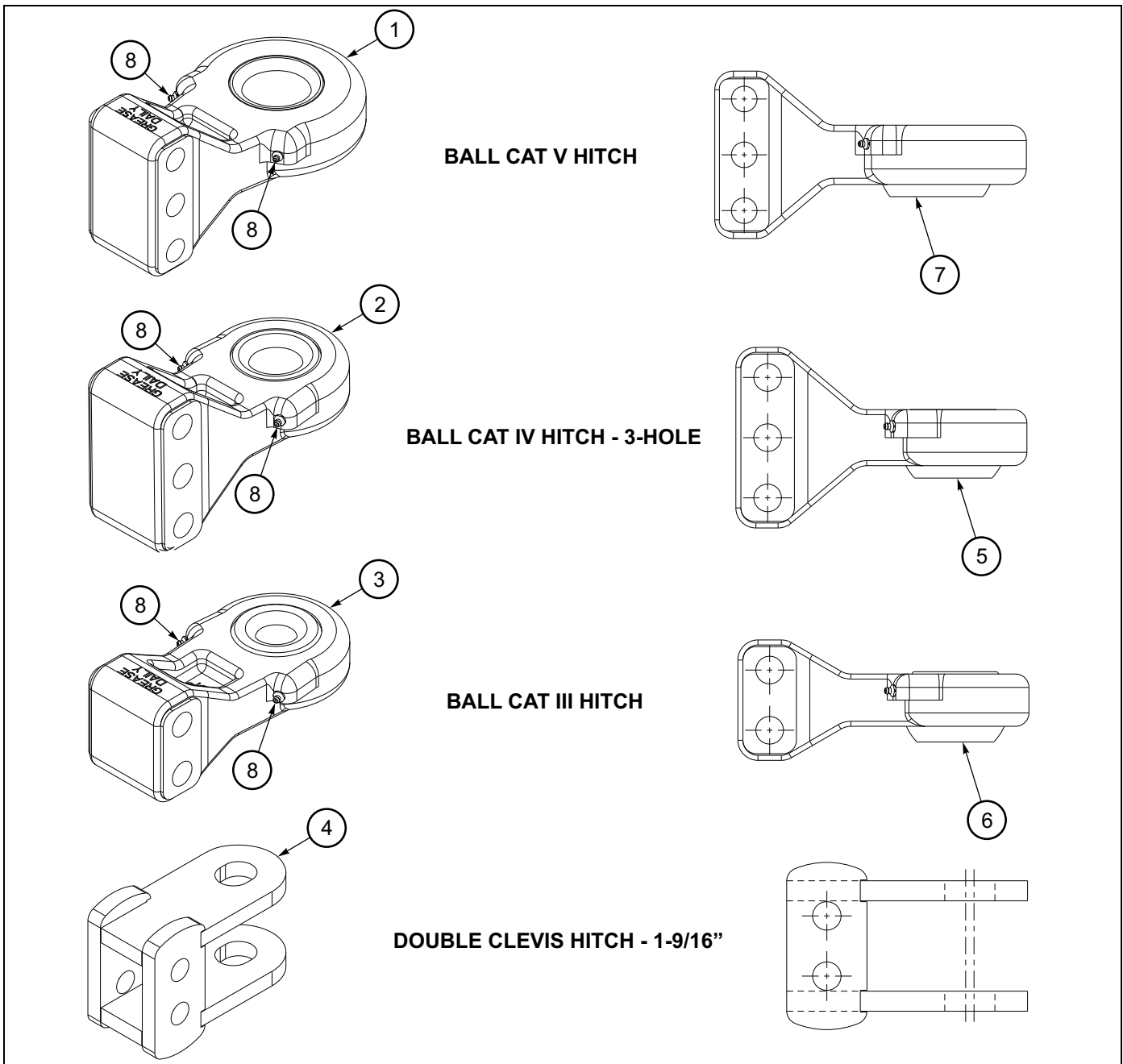


Figure 2-10: Hitch Assemblies

HITCH ASSEMBLIES

ITEM	PART NO.	DESCRIPTION	QTY.
1	177032	HITCH, BALL V	1
2	189451	HITCH, BALL CAT IV, 3-HOLE	1
3	177030	HITCH, BALL CAT III	1
4	161500	HITCH CLEVIS, DOUBLE 1-9/16"	1
5	189454	BUSHING, SPHERICAL, 2" ID	1
6	189453	BUSHING, SPHERICAL, 1-1/2" ID	1
7	189468	BUSHING, SPHERICAL, 2-3/4" ID	1
8	1-298-010001-01	ZERK	1

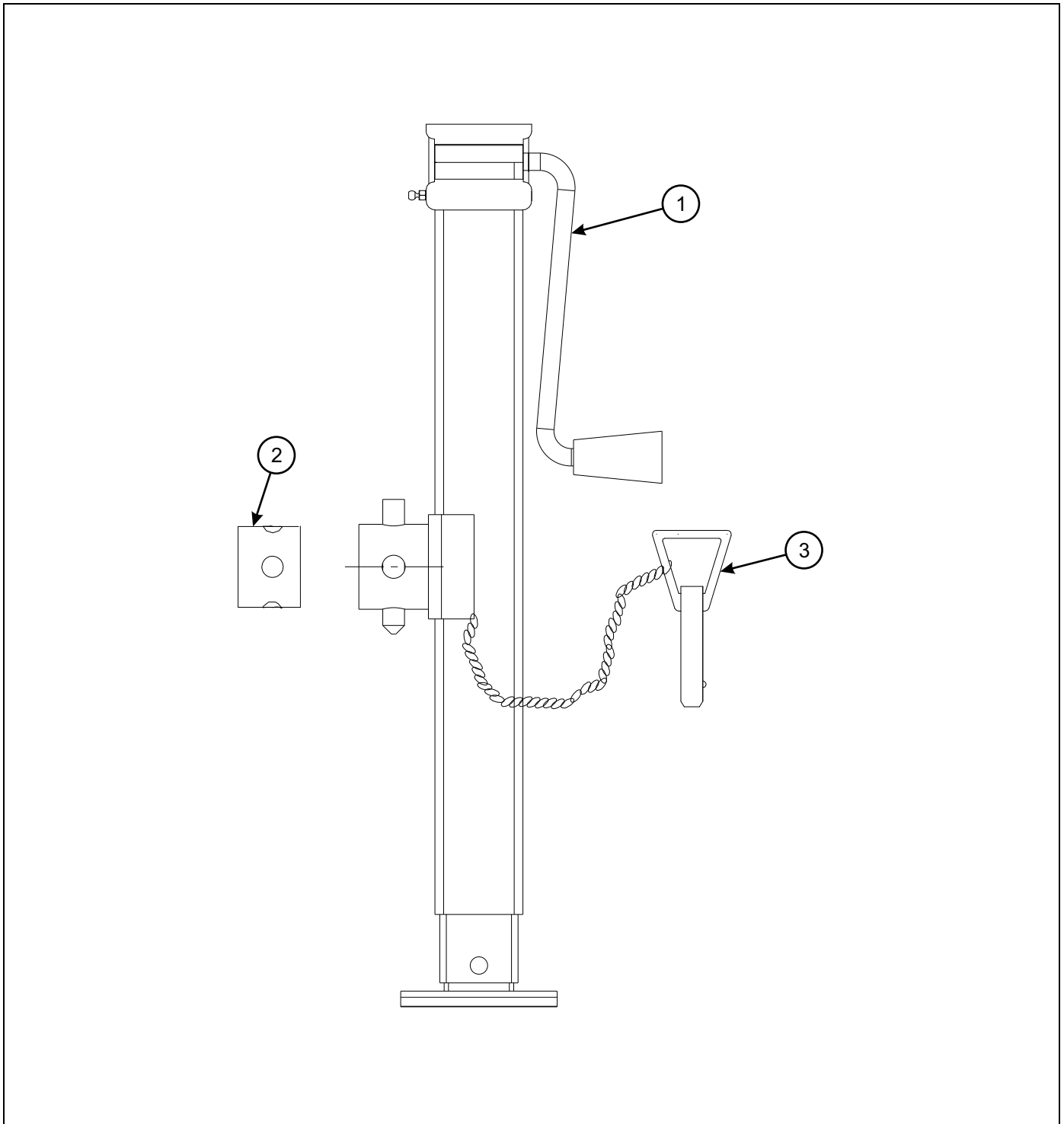


Figure 2-11: 7,000 Lb. Sidewind Jack Assembly

7,000 Lb. Sidewind Jack Assembly

ITEM	PART NO.	DESCRIPTION	QTY.
	140647	JACK, SIDEWIND 7000LB	
1	500171	HANDLE FOR JACK	1
2	142194	5/8" PIN	1
3	141250	TUBE, RD, JACK MOUNT	1

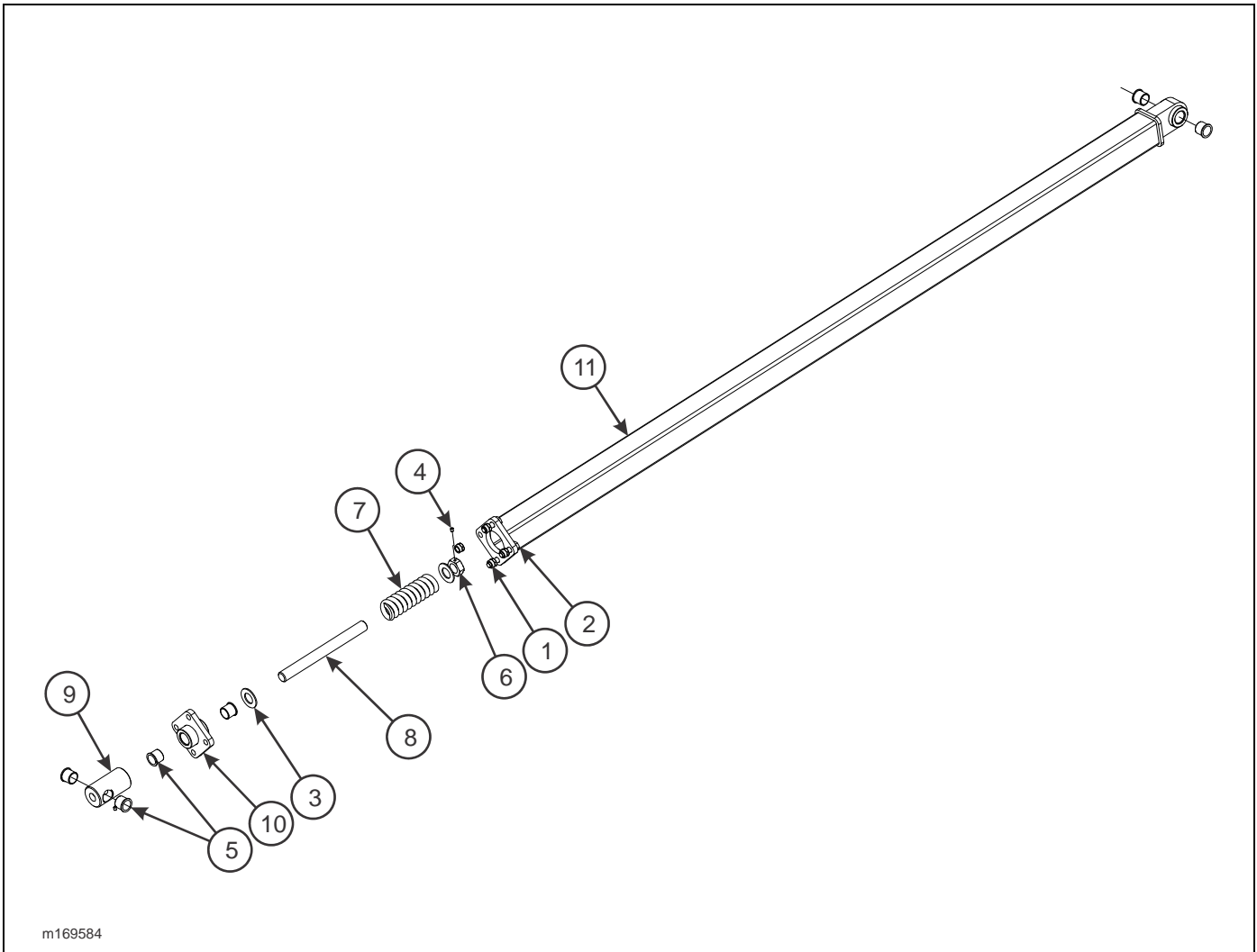
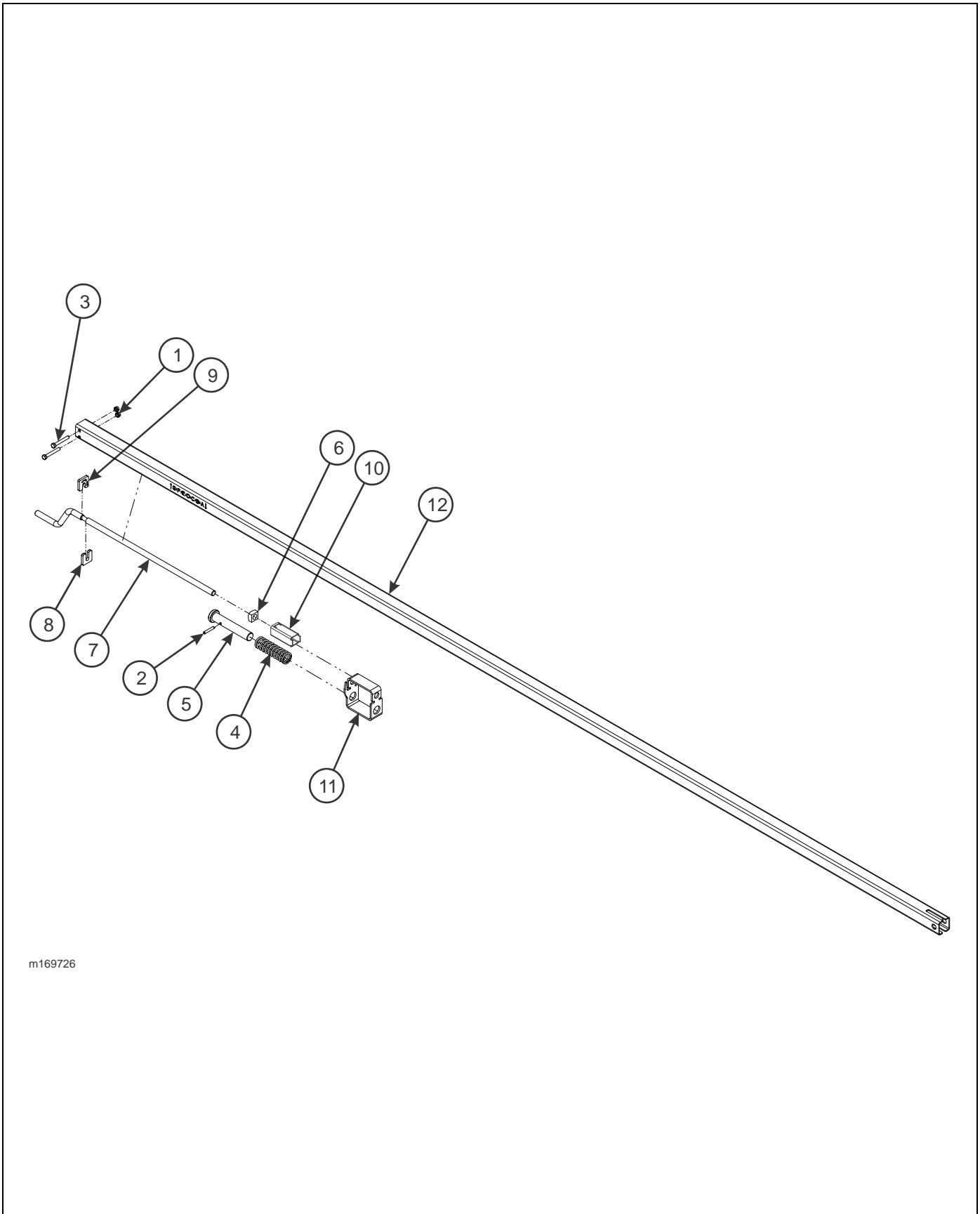


Figure 2-12: Leveler Assembly

LEVELER ASSEMBLY

ITEM	PART NO.	DESCRIPTION	QTY.
	169584	LEVELER ASSEMBLY	
1	1-512-010005-15	NUT, HEX LOCK 3/4-10 GRB	2
2	1-654-010061-07	SCREW, HEX HEAD CAP 3/4-10 X 2-1/2 GR5	2
3	1-861-010032-32	WASHER, FLAT 1-1/2N	2
4	122709	SCREW, SET HEX SOCKET CUP POINT 3/8-16 X 1/2	2
5	140599	BEARING, FLANGE 1-1/2	6
6	140610	NUT, HEX JAM W/O SET SCREW	1
7	140649	SPRING, LEVELER	1
8	149581	ROD, LEVELER SCREW	1
9	149582	PIVOT BLOCK, LEVELER TUBE	1
10	158803	SLIDE, LEVELER	1
11	169585	LEVELER TUBE	1

Page Intentionally Blank



m169726

Figure 2-13: Depth Stop Tube Assembly

DEPTH STOP TUBE ASSEMBLY

ITEM	PART NO.	DESCRIPTION	QTY.
	169726	DEPTH STOP TUBE ASSEMBLY (ITEMS 1-12)	
1	1-512-010005-03	NUT, HEX LOCK 5/16-18 GRB	2
2	1-647-010004217	SPRING PIN, SLOTTED 1/4 X 1-1/2	1
3	108628	SCREW, HEX HEAD CAP 5/16-18 X 2-1/4 GR5	2
4	122917	SPRING, COMPRESSION 4-1/2	1
5	141213	PIN, DEPTH STOP	1
6	144048	NUT, SQUARE 5/8-11 GR5	1
7	165258	HANDLE, DEPTH STOP	1
8	165259	STOP, HANDLE LONG	1
9	165260	STOP, HANDLE SHORT	1
10	166717	SQUARE TUBE, FLOATING	1
11	165262	SQUARE TUBE, DEPTH STOP	1
12	169725	SQUARE TUBE, DEPTH STOP	1

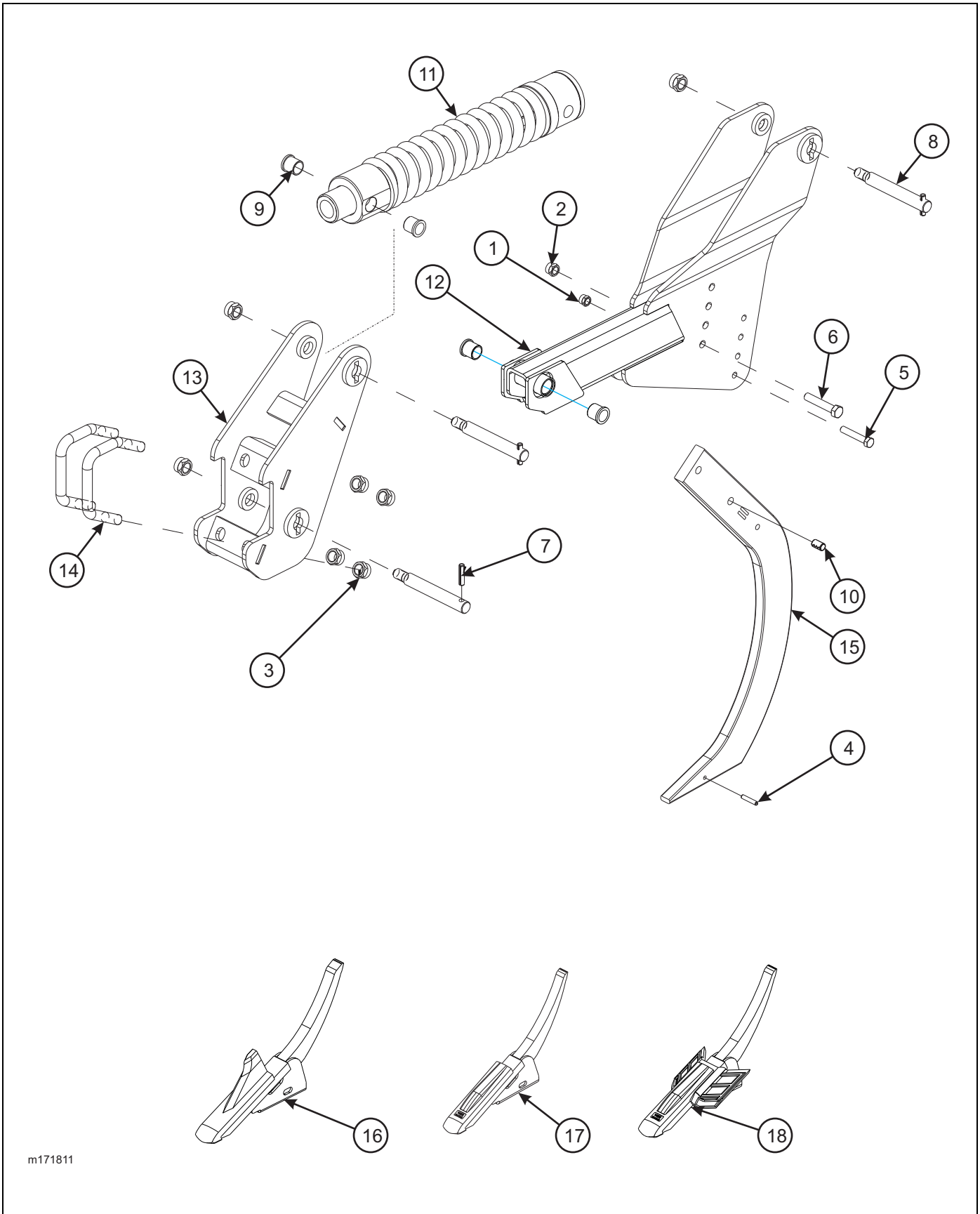


Figure 2-14: Shank Clamp Assembly

SHANK CLAMP ASSEMBLY

ITEM	PART NO.	DESCRIPTION	QTY.
	171811	CLAMP ASSEMBLY	
1	1-512-010005-13	NUT, HEX LOCK 5/8-11 GRB	1
2	1-512-010005-15	NUT, HEX LOCK 3/4-10 GRB	1
3	1-512-010005-19	NUT, HEX LOCK 1-8 GRB	7
4	1-647-010004255	PIN, SPRING SLOTTED 3/8 X 2	1
5	154172	SCREW, HEX HEAD CAP 5/8-11 X 3-3/4 GR5	1
6	1-654-010061-13	SCREW, HEX HEAD CAP 3/4 -10 X 4 GR5	1
7	141251	SPRING PIN, SLOTTED 1/2 X 2-1/4	3
8	144457	PIN, SHANK	3
9	144460	BEARING, FLANGE 1-1/4	4
10	150244	BUSHING, CONNEX 5/8 X 3/4 X 1-1/4	1
11	191067	SPRING ASSEMBLY	1
12	169484	CLAMP WELDMENT, SHANK 1-1/4"	1
13	169486	CLAMP TOOLBAR WELDMENT, SHANK	1
14	169492	BOLT, SHANK CLAMP	2
15	169493	SHANK, BOLT-IN 1-1/4 X 4	1
16	169498	POINT, SHARK FIN 1-1/4"	1
17	169502	POINT, V-CAP 1-1/4"	1
18	169510	POINT, WINGED SUBSOILER 1-1/4"	1

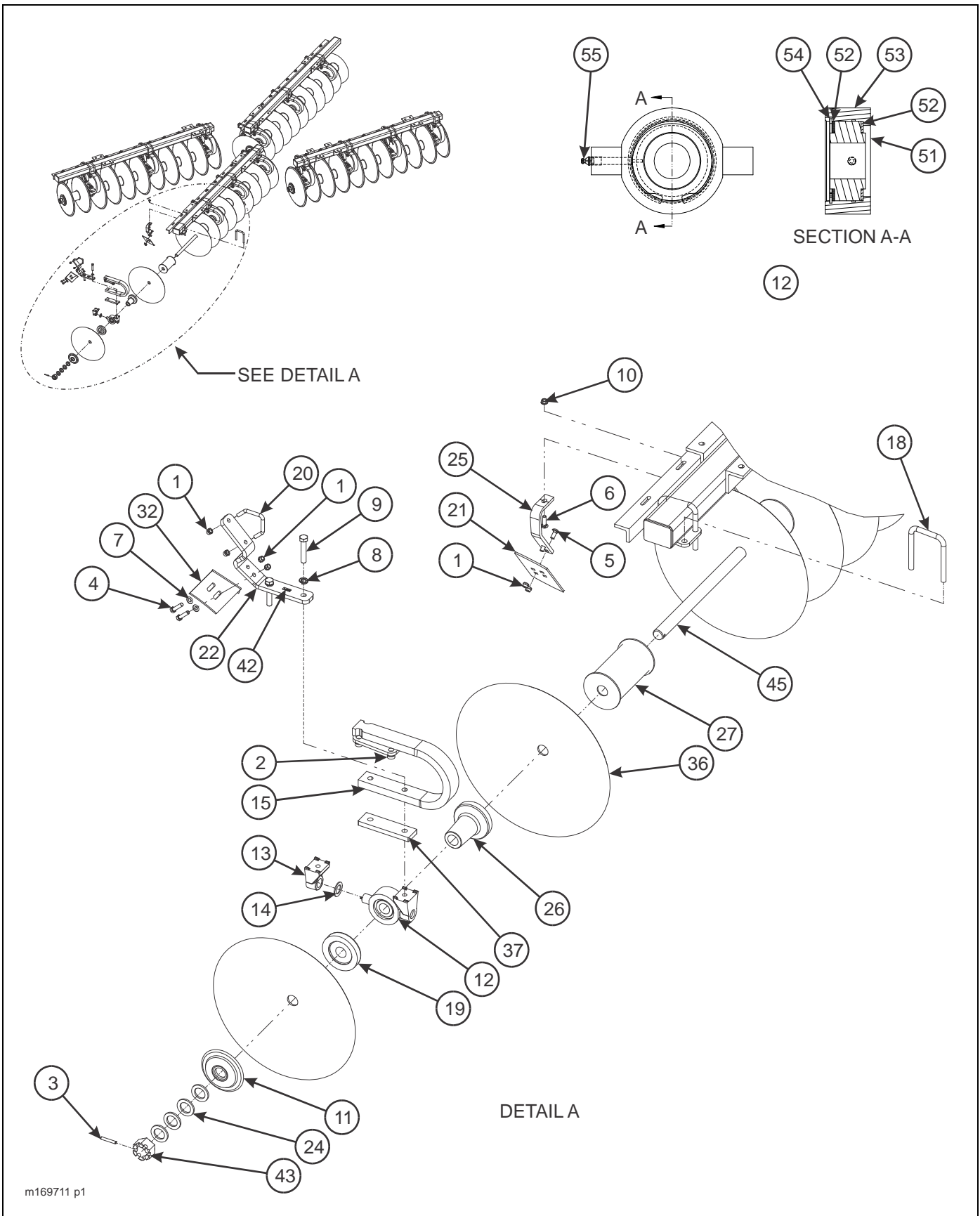
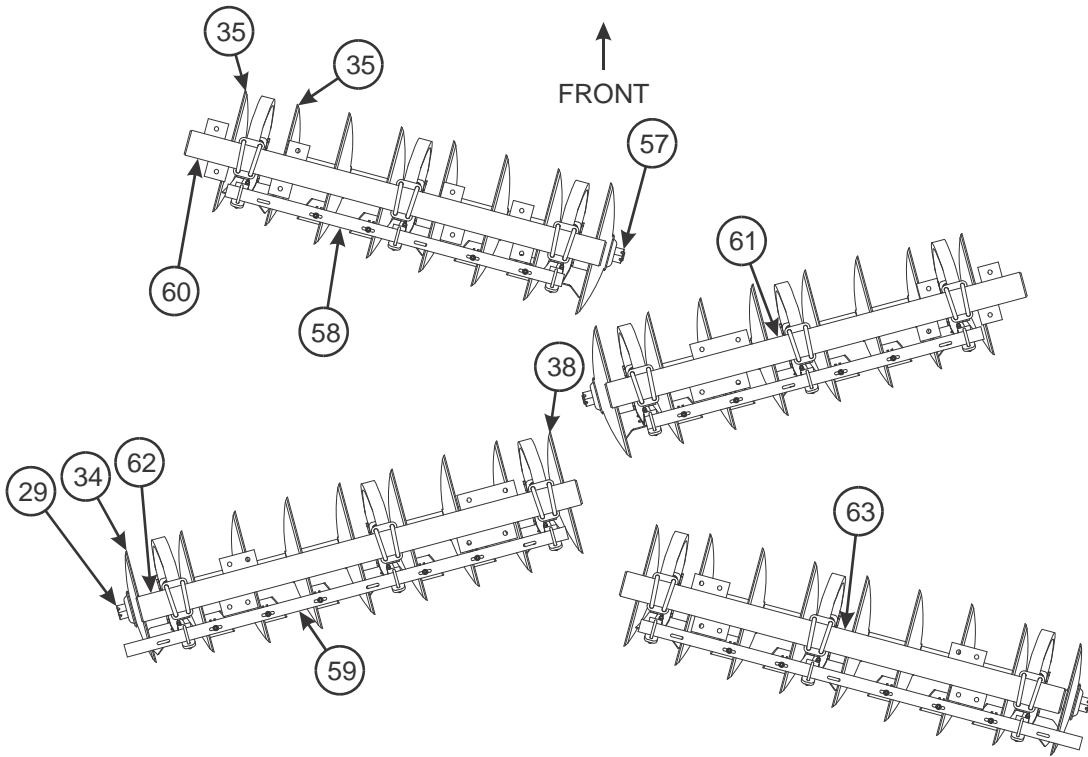
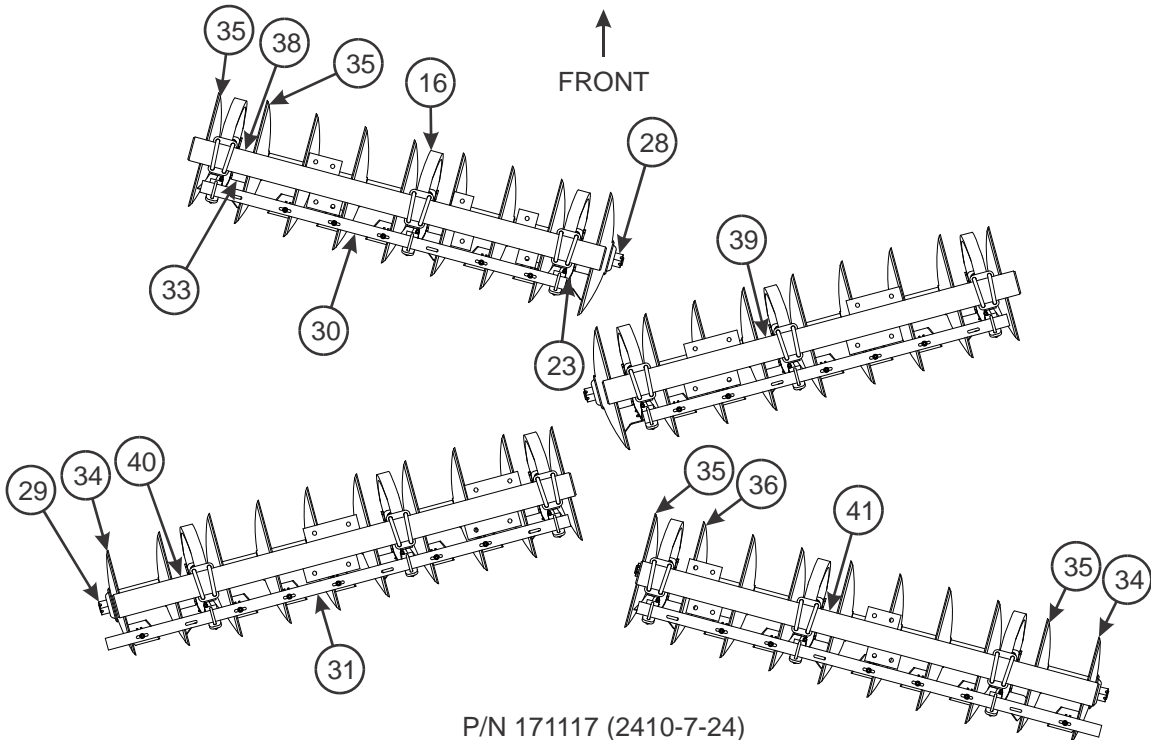


Figure 2-15: Disc Gang Assembly, 26" (1 of 3)

NOTE: ALL BLADES NOT OTHERWISE DESIGNATED ARE ITEM 36



P/N 170281 (2410-6-24)



P/N 171117 (2410-7-24)

m169711 p2

Figure 2-16: Disc Gang Assembly, 26" (2 of 3)

ILLUSTRATED PARTS LIST

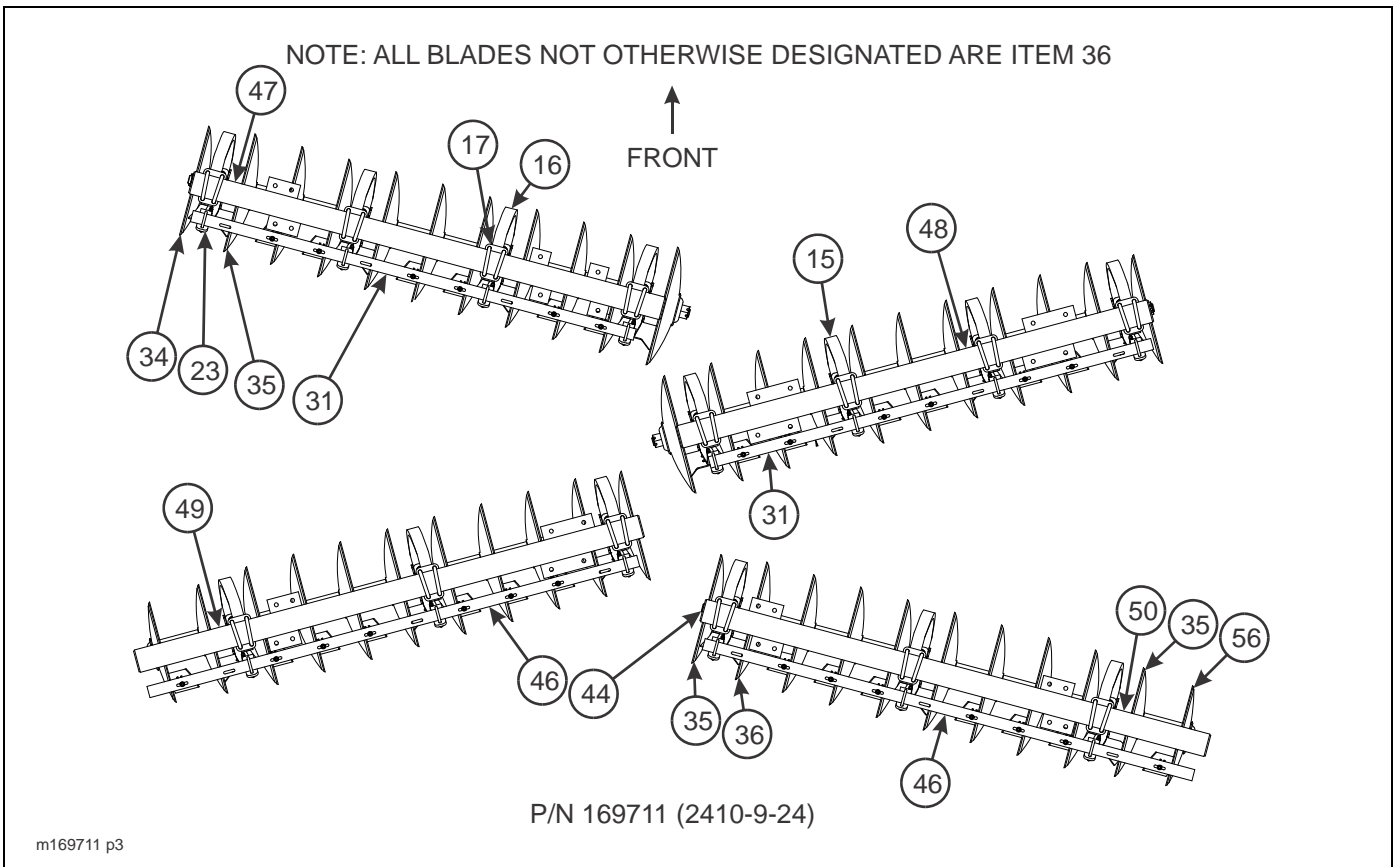


Figure 2-17: Disc Gang Assembly, 26" (3 of 3)

DISC GANG ASSEMBLY, 26"

ITEM	PART NO.	DESCRIPTION	QTY.		
	170281	DISC GANG ASSEMBLY 26" (2410-6-24)	*		
	171117	DISC GANG ASSEMBLY 26" (2410-7-24)	*		
	169711	DISC GANG ASSEMBLY 26" (2410-9-24)	*		
1	1-512-010005-09	NUT, HEX LOCK 1/2-13 GRB	84	92	108
2	1-512-010005-15	NUT, HEX LOCK 3/4-10 GRB	48	48	56
3	1-647-010004257	ROLL PIN, SLOTTED 3/8 X 2-1/2	8	8	8
4	1-654-010055-05	SCREW, HEX HEAD CAP 1/2-13 X 2 GR5	24	24	28
5	1-654-010070-02	SCREW, RD HEAD SQ NECK 1/2-13 X 1-3/4 GR5	36	44	52
6	1-654-010070-04	SCREW, RD HEAD SQ NECK 1/2-13 X 1-1/4 GR5	18	22	26
7	1-861-010032-14	WASHER, FLAT 1/2N	24	24	28
8	1-861-010034-17	WASHER, SPLIT LOCK 3/4	24	24	28
9	114029	SCREW, HEX HEAD CAP 3/4-10 X 4 GR8	24	24	28
10	124971	NUT, FLANGE HEAD SPIRALOCK 1/2-13	18	22	26
11	140469	END COLLAR	8	8	8
12	140477	BEARING, DISC 1.775 ID ASSEMBLY (INCL ITEMS 51-55)	12	12	14
13	140479	MOUNT, TRUNNION BEARING	24	24	28
14	140480	WASHER, TRUNNION	12	12	14
15	140481	SHANK, DISC BEARING RIGHT	6	6	7
16	140482	SHANK, DISC BEARING LEFT	6	6	7
17	140483	PLATE, DISC SHANK MOUNT	24	24	28
18	140484	U-BOLT 3/4 X 5	24	24	28
19	140485	HALF SPOOL, CONCAVE	12	12	14

DISC GANG ASSEMBLY, 26"

ITEM	PART NO.	DESCRIPTION	QTY.		
20	140487	U-BOLT, SCRAPER BAR MOUNT	12	12	14
21	140488	SCRAPER, 4-1/2	18	22	26
22	140490	MOUNT, SCRAPER BAR RIGHT	6	6	7
23	140491	MOUNT, SCRAPER BAR LEFT	6	6	7
24	141154	WASHER, GANG SHAFT	20	20	20
25	144155	ARM, SCRAPER	18	22	26
26	148363	HALF SPOOL, CONVEX	12	12	14
27	148364	SPOOL WELDMENT, 10-1/2	19	23	26
28	149592	SHAFT, GANG 90-1/2"	2	2	--
29	149593	SHAFT, GANG 101"	--	2	--
30	149604	SCRAPER BAR, 10-1/2 SP 7 HOLE	--	2	--
31	149606	SCRAPER BAR, 10-1/2 SP 9 HOLE	--	2	2
32	150231	SCRAPER, DUAL RIGHT 10-1/2	6	2	7
33	150232	SCRAPER, DUAL LEFT 10-1/2	6	6	7
34	155618	DISC BLADE 22" X 1/4 X 1-3/4	2	2	--
35	161530	DISC BLADE 24" X 1/4 X 1-3/4	8	8	6
36	169575	DISC BLADE 26" X 1/4 X 1-3/4	24	28	34
37	169601	PLATE, GANG SPACER	12	12	14
38	171122	GANG BAR	--	1	--
39	171123	GANG BAR	--	1	--
40	171124	GANG BAR	--	1	--
41	171125	GANG BAR	--	1	--
42	2-573-010330-02	DECAL, LUBRICATION 10 HOURS	12	12	14
43	23085	NUT, HEX SLOTTED 1-3/4 - 5	8	8	8
44	141187	SHAFT, GANG 111-1/2"	--	--	2
45	149594	SHAFT, GANG 112"	--	--	2
46	149607	SCRAPER BAR, 10-1/2 SP 10 HOLE	--	--	2
47	170265	GANG BAR	--	--	1
48	170266	GANG BAR	--	--	1
49	170267	GANG BAR	--	--	1
50	170268	GANG BAR	--	--	1
51	140464	BEARING, DISC 1.775ID	1	1	1
52	140473	WASHER, BEARING	2	2	2
53	140475	CASTING, TRUNNION BEARING	1	1	1
54	140476	INTERNAL RETAINING RING	1	1	1
55	5000	ZERK, FITTING 1/8	1	1	1
56	155617	DISC BLADE 22" X 1/4" 1-3/4 ID	--	--	2
57	149591	SHAFT, GANG 80"	2	--	--
58	149603	SCRAPER BAR, 10-1/2 SP 6 HOLE	2	--	--
59	149605	SCRAPER BAR, 10-1/2 SP 8 HOLE	2	--	--
60	170764	GANG BAR	1	--	--
61	170765	GANG BAR	1	--	--
62	170766	GANG BAR	1	--	--
63	170767	GANG BAR	1	--	--

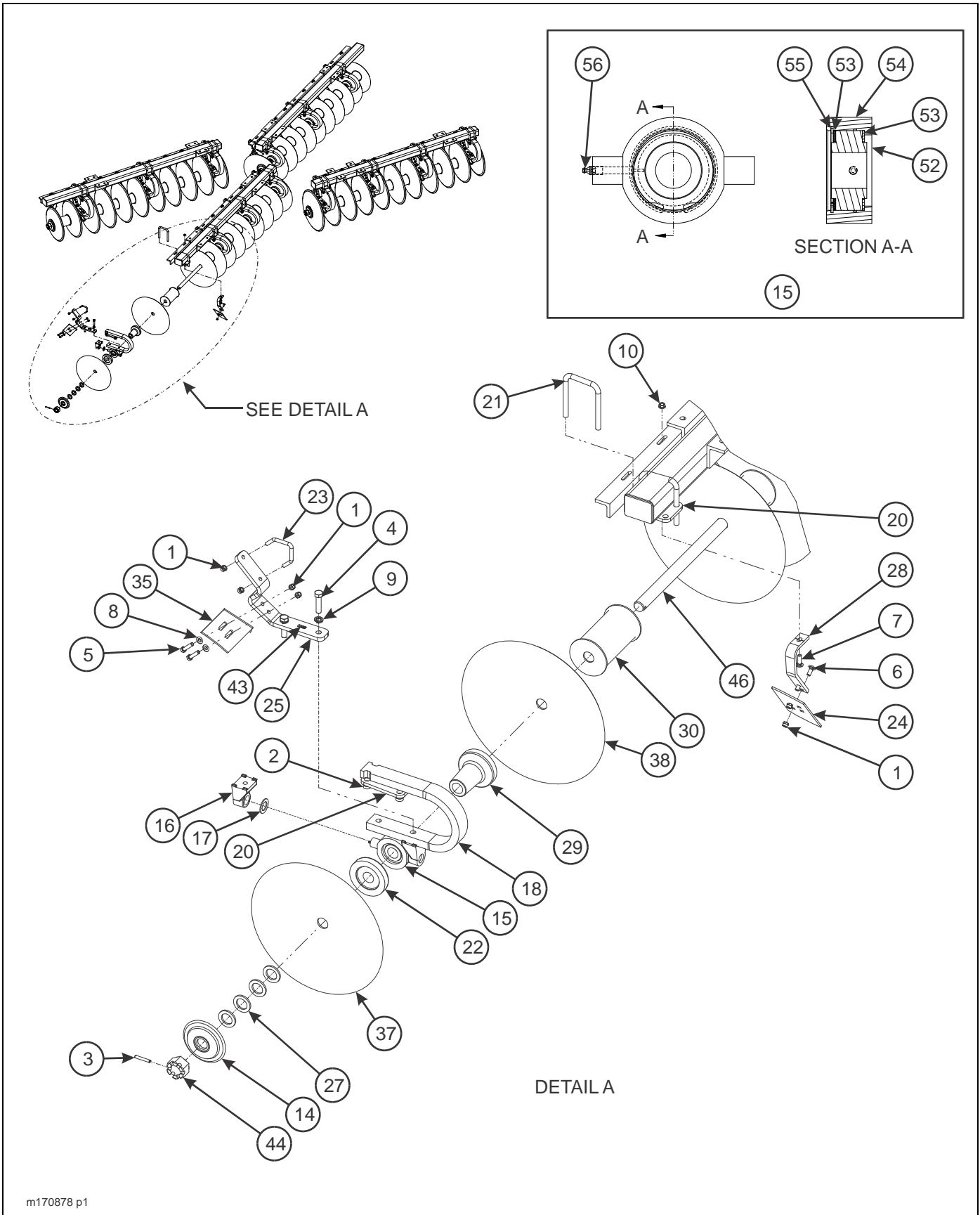
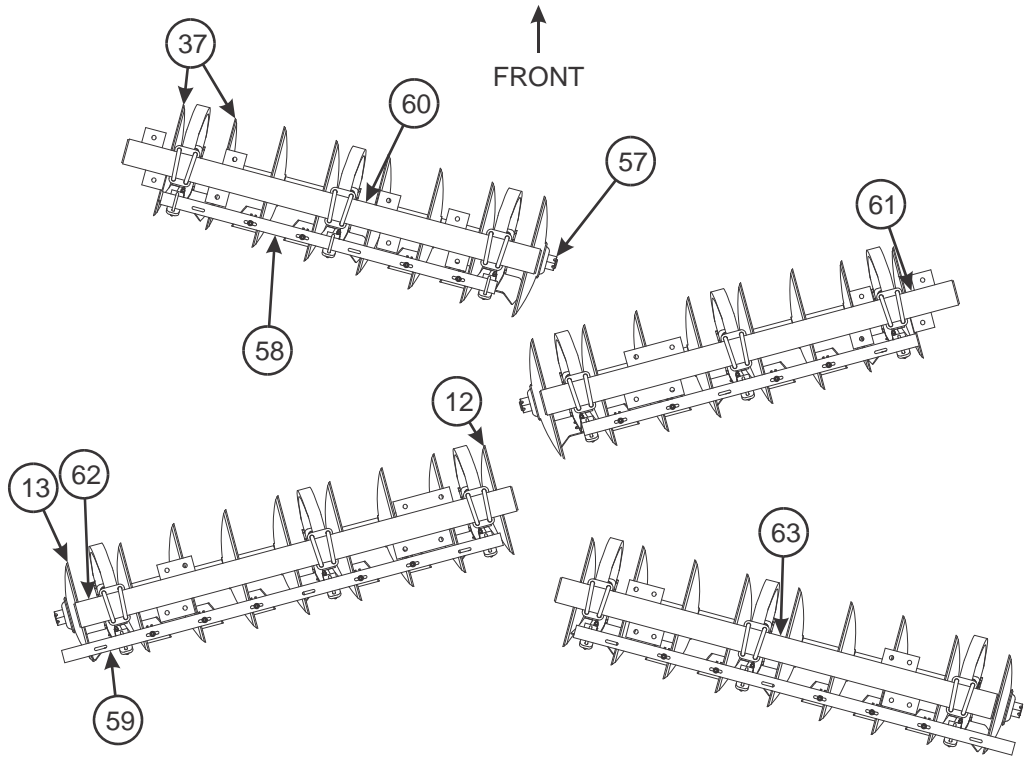
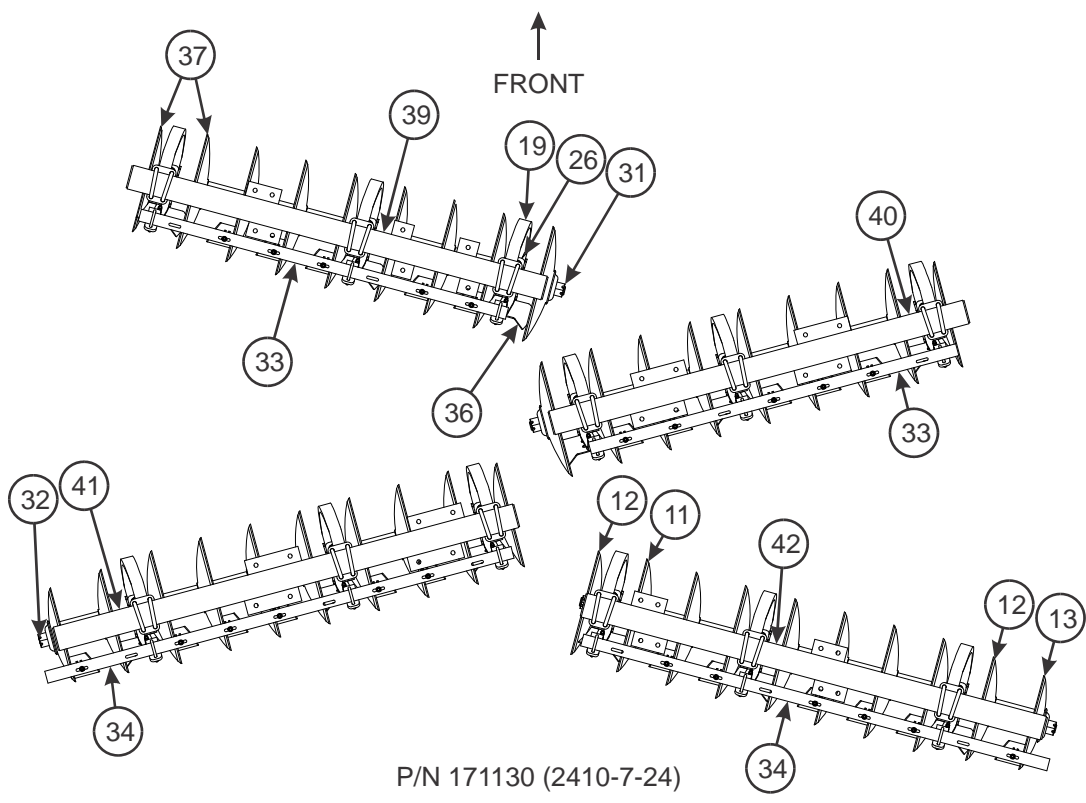


Figure 2-18: Disc Gang Assembly, 24" (1 of 3)

NOTE: FRONT GANG DISC BLADES NOT OTHERWISE DESIGNATED ARE ITEM 38
 REAR GANG DISC BLADES NOT OTHERWISE DESIGNATED ARE ITEM 11



P/N 171144 (2410-6-24)



P/N 171130 (2410-7-24)

m170878 p2

Figure 2-19: Disc Gang Assembly, 24" (2 of 3)

ILLUSTRATED PARTS LIST

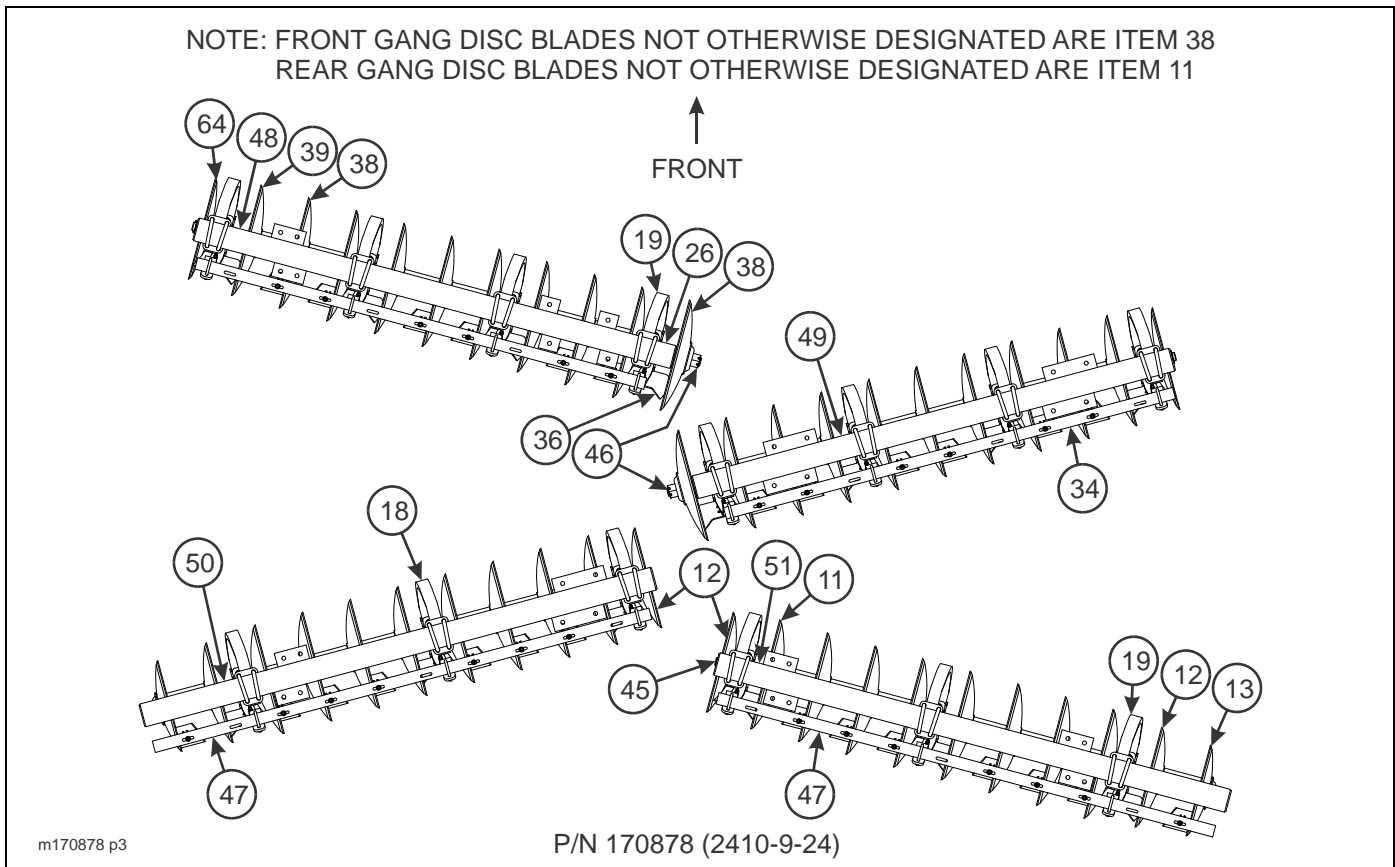


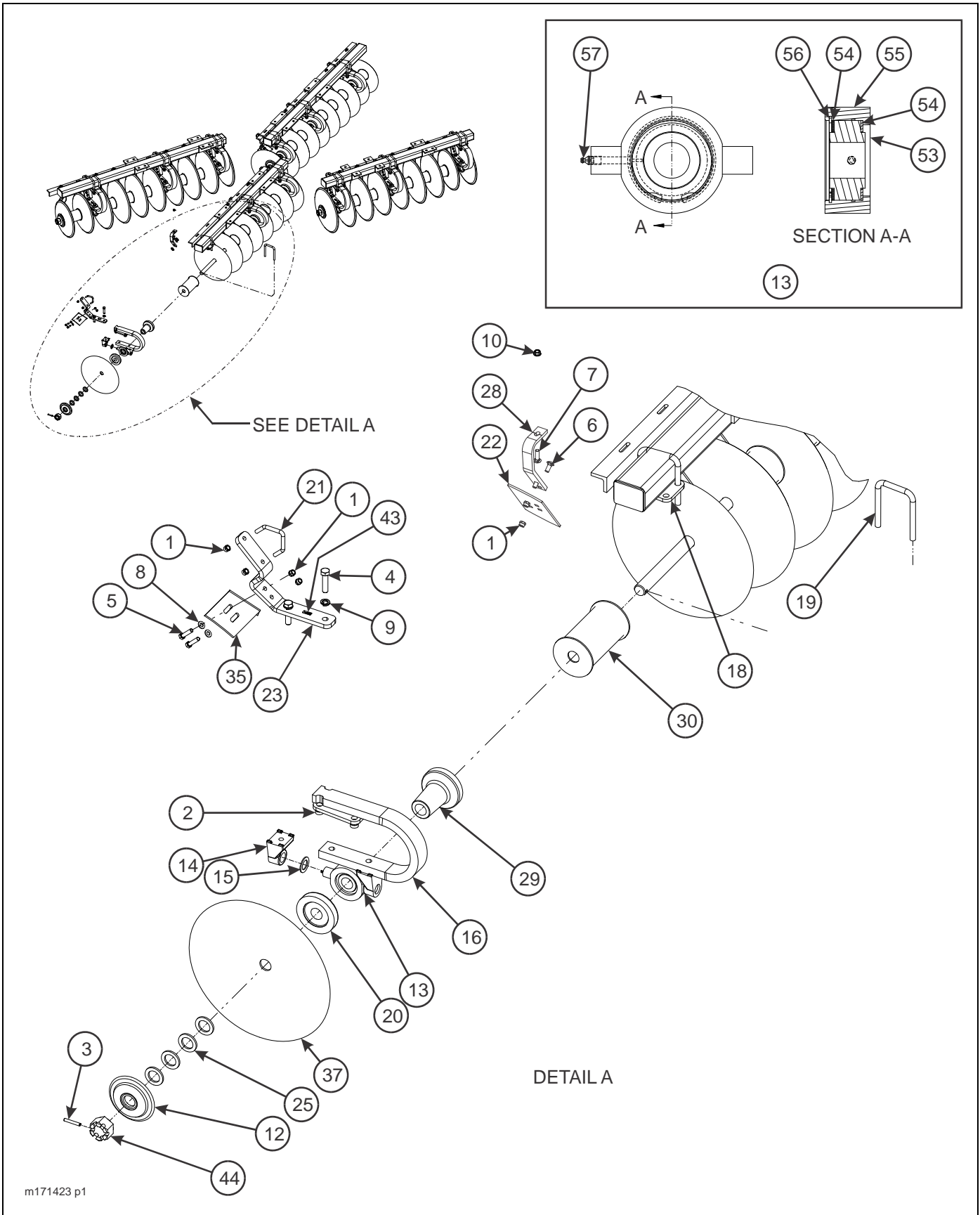
Figure 2-20: Disc Gang Assembly, 24" (3 of 3)

DISC GANG ASSEMBLY, 24"

ITEM	PART NO.	DESCRIPTION	QTY.		
	171144	DISC GANG ASSEMBLY 24" (2410-6-24)	*		
	171130	DISC GANG ASSEMBLY 24" (2410-7-24)		*	
	170878	DISC GANG ASSEMBLY 24" (2410-9-24)			*
1	1-512-010005-09	NUT, HEX LOCK 1/2-13 GRB	84	92	108
2	1-512-010005-15	NUT, HEX LOCK 3/4-10 GRB	48	48	56
3	1-647-010004257	ROLL PIN, SLOTTED 3/8 X 2-1/2	8	8	8
4	1-654-010032-09	SCREW, HEX HEAD CAP 3/4-10 X 3 GR8	24	24	28
5	1-654-010055-05	SCREW, HEX HEAD CAP 1/2-13 X 2 GR5	24	24	28
6	1-654-010070-02	SCREW, RD HEAD SQ NECK 1/2-13 X 1-3/4 GR5	36	44	52
7	1-654-010070-04	SCREW, RD HEAD SQ NECK 1/2-13 X 1-1/4 GR5	18	22	26
8	1-861-010032-14	WASHER, FLAT 1/2N	24	24	28
9	1-861-010034-17	WASHER, SPLIT LOCK 3/4	24	24	28
10	124971	NUT, FLANGE HEAD SPIRALOCK 1/2-13	18	22	26
11	140465	DISC BLADE 24" X 1/4 X 1-3/4	12	14	16
12	140466	DISC BLADE 22" X 1/4 X 1-3/4	4	4	4
13	140467	DISC BLADE 20" X 1/4 X 1-3/4	2	2	2
14	140469	END COLLAR	8	8	8
15	140477	BEARING, DISC 1.775 ID ASSEMBLY (INCL ITEMS 52-56)	12	12	14
16	140479	MOUNT, TRUNNION BEARING	24	24	28
17	140480	WASHER, TRUNNION	12	12	14
18	140481	SHANK, DISC BEARING RIGHT	6	6	7
19	140482	SHANK, DISC BEARING LEFT	6	6	7

DISC GANG ASSEMBLY, 24"

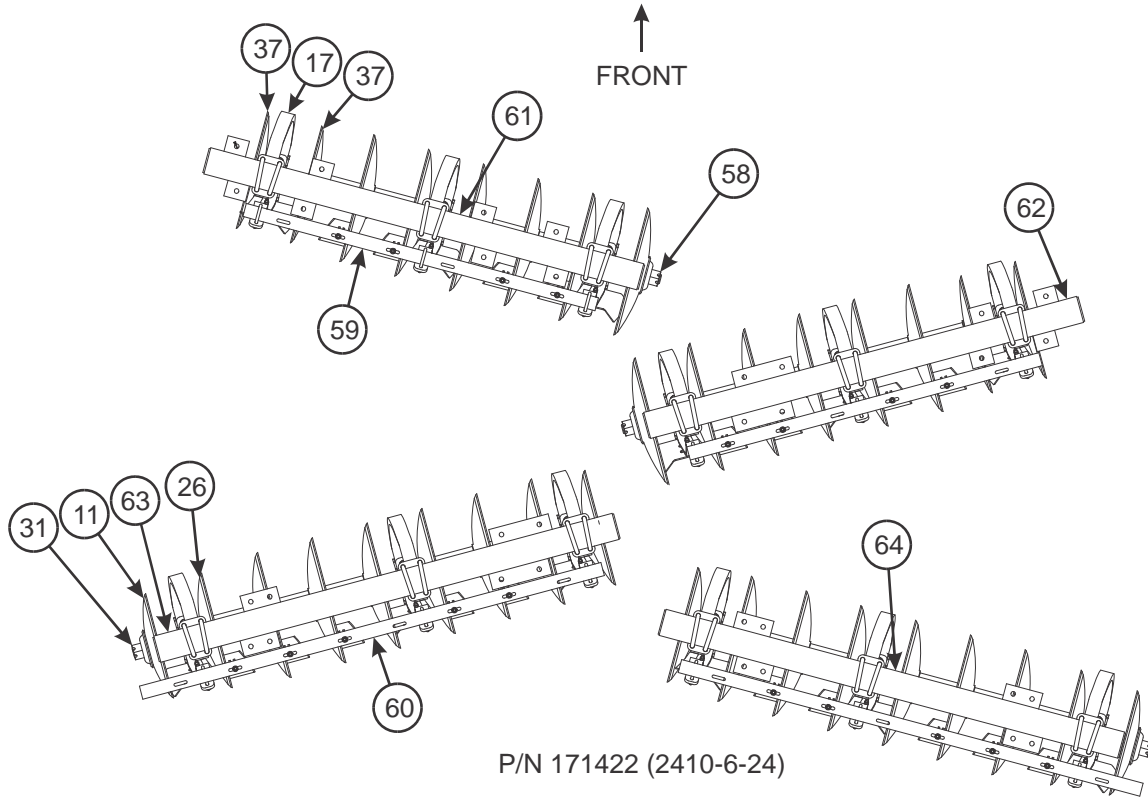
ITEM	PART NO.	DESCRIPTION	QTY.		
20	140483	PLATE, DISC SHANK MOUNT	24	24	28
21	140484	U-BOLT 3/4 X 5	24	24	28
22	140485	HALF SPOOL, CONCAVE	12	12	14
23	140487	U-BOLT, SCRAPER BAR MOUNT	12	12	14
24	140488	SCRAPER, 4-1/2	18	22	26
25	140490	MOUNT, SCRAPER BAR RIGHT	6	6	7
26	140491	MOUNT, SCRAPER BAR LEFT	6	6	7
27	141154	WASHER, GANG SHAFT	19	20	20
28	144155	ARM, SCRAPER	18	22	26
29	148363	HALF SPOOL, CONVEX	12	12	14
30	148364	SPOOL WELDMENT, 10-1/2	19	23	26
31	149592	SHAFT, GANG 90-1/2"	2	2	--
32	149593	SHAFT, GANG 101"	--	2	--
33	149604	SCRAPER BAR, 10-1/2 SP 7 HOLE	--	2	--
34	149606	SCRAPER BAR, 10-1/2 SP 9 HOLE	--	2	2
35	150231	SCRAPER, DUAL RIGHT 10-1/2	6	6	7
36	150232	SCRAPER, DUAL LEFT 10-1/2	6	6	7
37	155617	DISC BLADE 22" X 1/4" 1-3/4 ID	4	2	2
38	161530	DISC BLADE 24" X 1/4" 1-3/4 ID	12	16	20
39	171122	GANG BAR	--	1	--
40	171123	GANG BAR	--	1	--
41	171124	GANG BAR	--	1	--
42	171125	GANG BAR	--	1	--
43	2-573-010330-02	DECAL, LUBRICATION 10 HOURS	12	12	14
44	23085	NUT, HEX SLOTTED 1-3/4 - 5	8	8	8
45	141187	SHAFT, GANG 111-1/2"	--	--	2
46	149594	SHAFT, GANG 112"	--	--	2
47	149607	SCRAPER BAR, 10-1/2 SP 10 HOLE	--	--	2
48	170265	GANG BAR	--	--	1
49	170266	GANG BAR	--	--	1
50	170267	GANG BAR	--	--	1
51	170268	GANG BAR	--	--	1
52	140464	BEARING, DISC 1.775ID	1	1	1
53	140473	WASHER, BEARING	2	2	2
54	140475	CASTING, TRUNNION BEARING	1	1	1
55	140476	INTERNAL RETAINING RING	1	1	1
56	5000	ZERK, FITTING 1/8	1	1	1
57	149591	SHAFT, GANG 80"	2	--	--
58	149603	SCRAPER BAR, 10-1/2 SP 6 HOLE	2	--	--
59	149605	SCRAPER BAR, 10-1/2 SP 8 HOLE	2	--	--
60	170764	GANG BAR	1	--	--
61	170765	GANG BAR	1	--	--
62	170766	GANG BAR	1	--	--
63	170767	GANG BAR	1	--	--
64	155619	DISC BLADE 20" X 1/4 1-3/4" ID	--	--	2



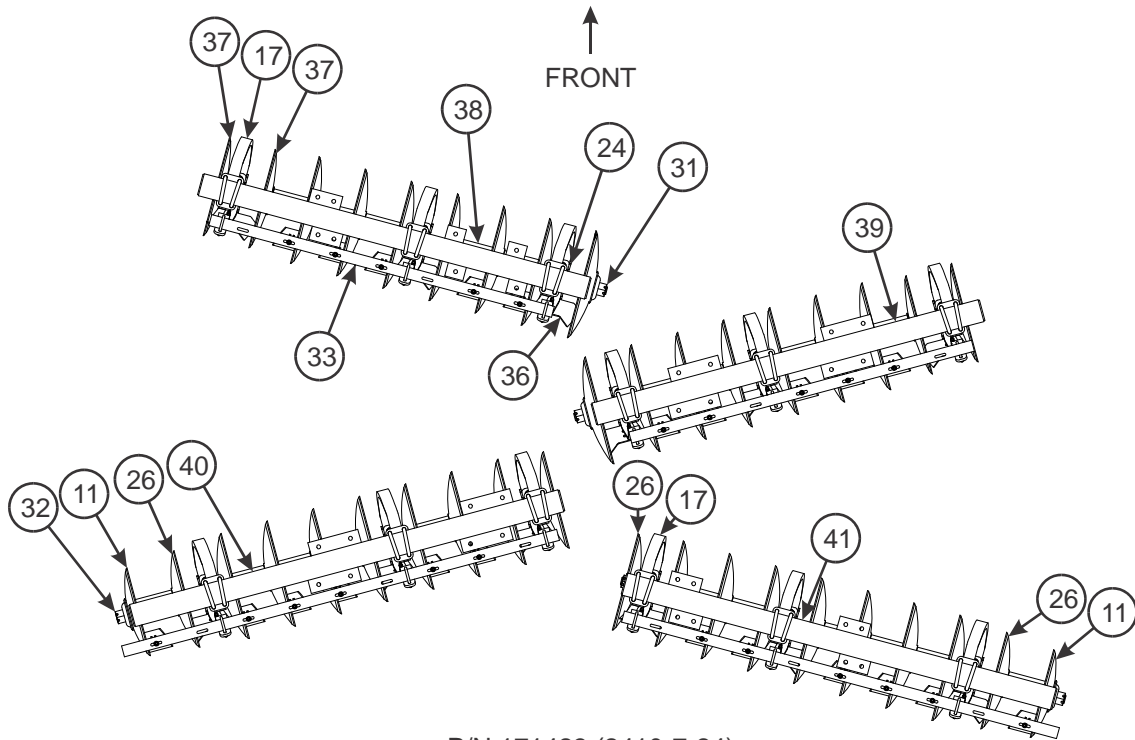
m171423 p1

Figure 2-21: Disc Gang Assembly, 24" Rollable (1 of 3)

NOTE: FRONT GANG DISC BLADES NOT OTHERWISE DESIGNATED ARE ITEM 42
 REAR GANG DISC BLADES NOT OTHERWISE DESIGNATED ARE ITEM 27



P/N 171422 (2410-6-24)



P/N 171423 (2410-7-24)

m171423 p2

Figure 2-22: Disc Gang Assembly, 24" Rollable (2 of 3)

ILLUSTRATED PARTS LIST

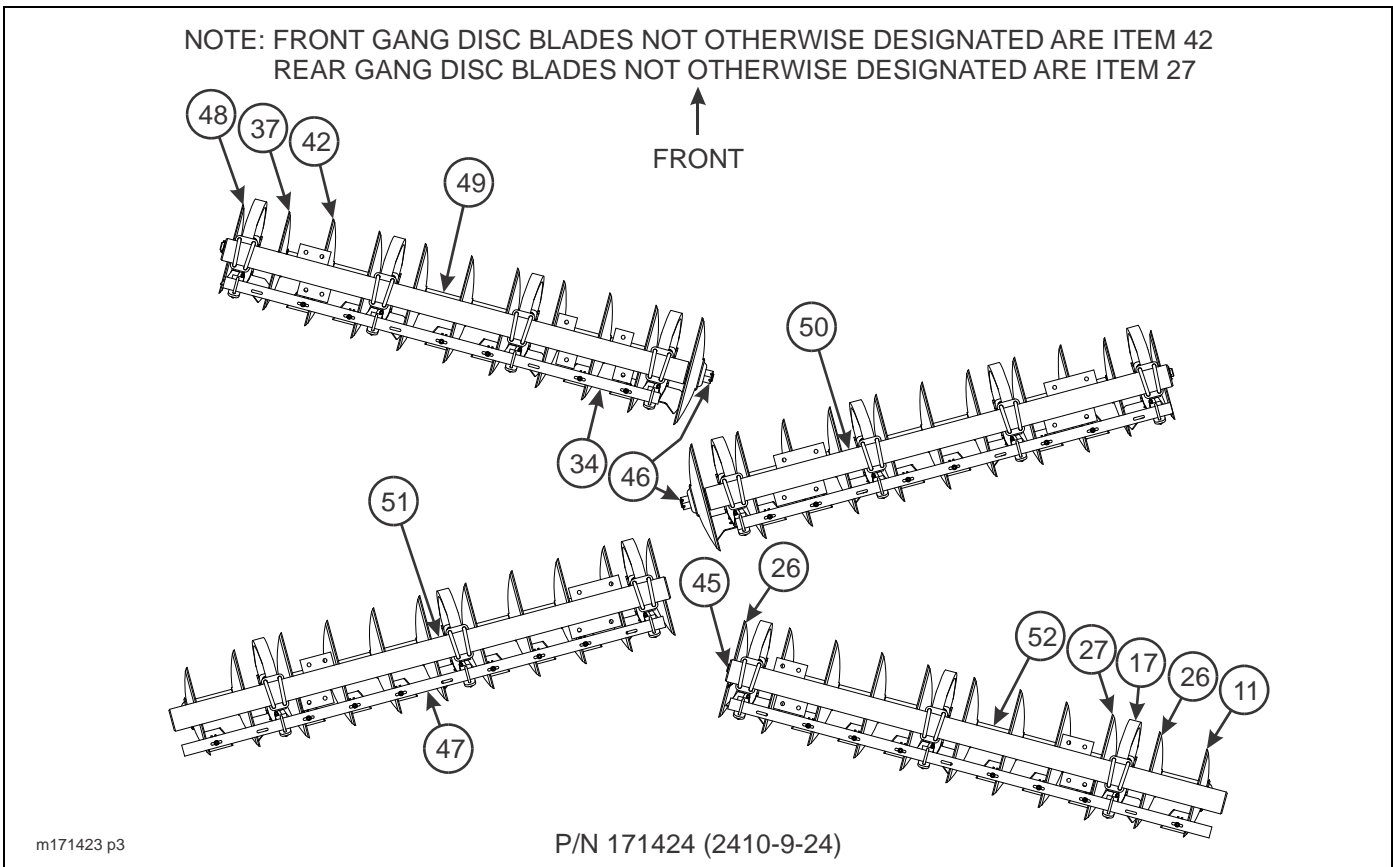


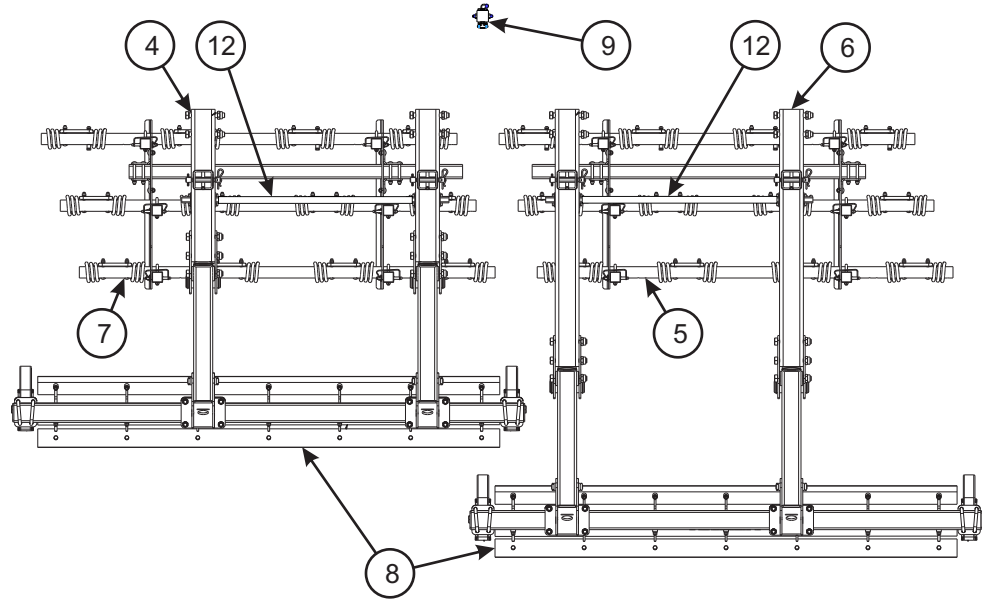
Figure 2-23: Disc Gang Assembly, 24" Rollable (3 of 3)

DISC GANG ASSEMBLY, 24" ROLLABLE

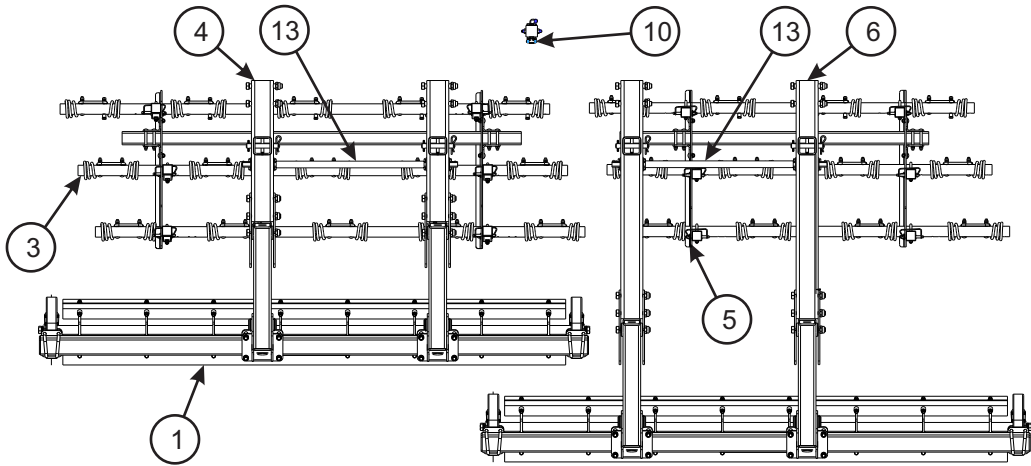
ITEM	PART NO.	DESCRIPTION	QTY.		
	171422	DISC GANG ASSEMBLY 24" ROLLABLE (2410-6-24)	*		
	171423	DISC GANG ASSEMBLY 24" ROLLABLE (2410-7-24)		*	
	171424	DISC GANG ASSEMBLY 24" ROLLABLE (2410-9-24)			*
1	1-512-010005-09	NUT, HEX LOCK 1/2-13 GRB	84	92	108
2	1-512-010005-15	NUT, HEX LOCK 3/4-10 GRB	48	48	56
3	1-647-010004257	ROLL PIN, SLOTTED 3/8 X 2-1/2	8	8	8
4	1-654-010032-09	SCREW, HEX HEAD CAP 3/4-10 X 3 GR8	24	24	24
5	1-654-010055-05	SCREW, HEX HEAD CAP 1/2-13 X 2 GR5	24	24	24
6	1-654-010070-02	SCREW, RD HEAD SQ NECK 1/2-13 X 1-3/4 GR5	36	44	44
7	1-654-010070-04	SCREW, RD HEAD SQ NECK 1/2-13 X 1-1/4 GR5	18	22	22
8	1-861-010032-14	WASHER, FLAT 1/2N	24	24	28
9	1-861-010034-17	WASHER, SPLIT LOCK 3/4	24	24	28
10	124971	NUT, FLANGE HEAD SPIRALOCK 1/2-13	18	22	26
11	140467	DISC BLADE 20" X 1/4 X 1-3/4	2	2	2
12	140469	END COLLAR	8	8	8
13	140477	BEARING, DISC 1.775 ID ASSEMBLY (INCL ITEMS 53-57)	12	12	14
14	140479	MOUNT, TRUNNION BEARING	24	24	28
15	140480	WASHER, TRUNNION	12	12	14
16	140481	SHANK, DISC BEARING RIGHT	6	6	7
17	140482	SHANK, DISC BEARING LEFT	6	6	7
18	140483	PLATE, DISC SHANK MOUNT	24	24	28
19	140484	U-BOLT 3/4 X 5	24	24	28

DISC GANG ASSEMBLY, 24" ROLLABLE

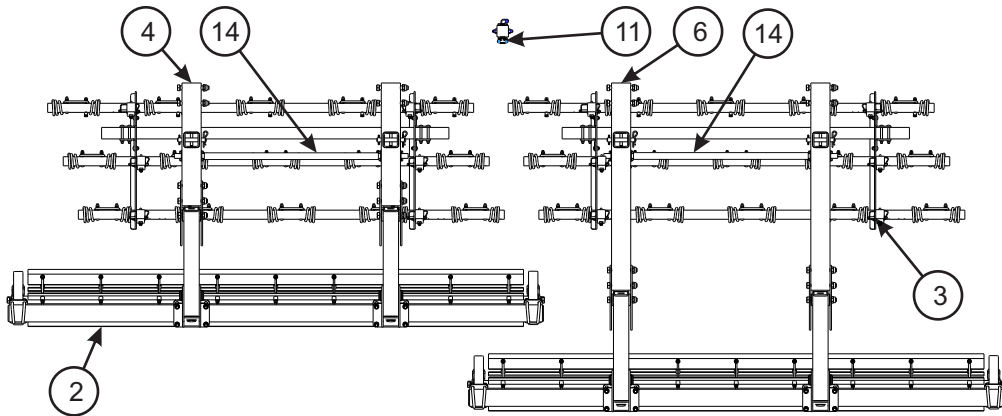
ITEM	PART NO.	DESCRIPTION	QTY.		
20	140485	HALF SPOOL, CONCAVE	12	12	14
21	140487	U-BOLT, SCRAPER BAR MOUNT	12	12	14
22	140488	SCRAPER, 4-1/2	18	22	26
23	140490	MOUNT, SCRAPER BAR RIGHT	6	6	7
24	140491	MOUNT, SCRAPER BAR LEFT	6	6	7
25	141154	WASHER, GANG SHAFT	19	20	20
26	142660	DISC BLADE 22" X 1/4 1-3/4" ID	4	4	4
27	142662	DISC BLADE 24" X 1/4 1-3/4" ID	12	14	16
28	144155	ARM, SCRAPER	18	22	26
29	148363	HALF SPOOL, CONVEX	12	12	14
30	148364	SPOOL WELDMENT, 10-1/2	19	23	26
31	149592	SHAFT, GANG 90-1/2"	2	2	--
32	149593	SHAFT, GANG 101"	--	2	--
33	149604	SCRAPER BAR, 10-1/2 SP 7 HOLE	--	2	--
34	149606	SCRAPER BAR, 10-1/2 SP 9 HOLE	--	2	2
35	150231	SCRAPER, DUAL RIGHT 10-1/2	6	6	7
36	150232	SCRAPER, DUAL LEFT 10-1/2	6	6	7
37	155618	DISC BLADE 22" X 1/4 1-3/4" ID	4	4	2
38	171122	GANG BAR	--	1	1
39	171123	GANG BAR	--	1	1
40	171124	GANG BAR	--	1	1
41	171125	GANG BAR	--	1	1
42	172076	DISC BLADE 24" X 1/4 1-3/4" ID	12	14	18
43	2-573-010330-02	DECAL, LUBRICATION 10 HOURS	12	12	12
44	23085	NUT, HEX SLOTTED 1-3/4 - 5	8	8	8
45	141187	SHAFT, GANG 111-1/2"	--	--	2
46	149594	SHAFT, GANG 112"	--	--	2
47	149607	SCRAPER BAR, 10-1/2 SP 10 HOLE	--	--	2
48	155619	DISC BLADE 20" X 1/4 1-3/4" ID	--	--	2
49	170265	GANG BAR	--	--	1
50	170266	GANG BAR	--	--	1
51	170267	GANG BAR	--	--	1
52	170268	GANG BAR	--	--	1
53	140464	BEARING, DISC 1.775ID	1	1	1
54	140473	WASHER, BEARING	2	2	2
55	140475	CASTING, TRUNNION BEARING	1	1	1
56	140476	INTERNAL RETAINING RING	1	1	1
57	5000	ZERK, FITTING 1/8	1	1	1
58	149591	SHAFT, GANG 80"	2	--	--
59	149603	SCRAPER BAR, 10-1/2 SP 6 HOLE	2	--	--
60	149605	SCRAPER BAR, 10-1/2 SP 8 HOLE	2	--	--
61	170764	GANG BAR	1	--	--
62	170765	GANG BAR	1	--	--
63	170766	GANG BAR	1	--	--
64	170767	GANG BAR	1	--	--



P/N 171115 (2410-6-24)



P/N 171128 (2410-7-24)



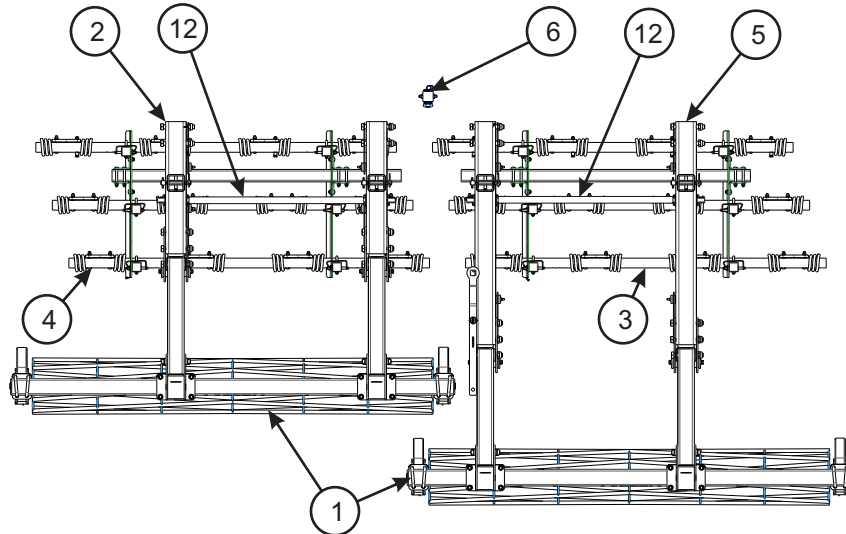
P/N 170066 (2410-9-24)

m171128

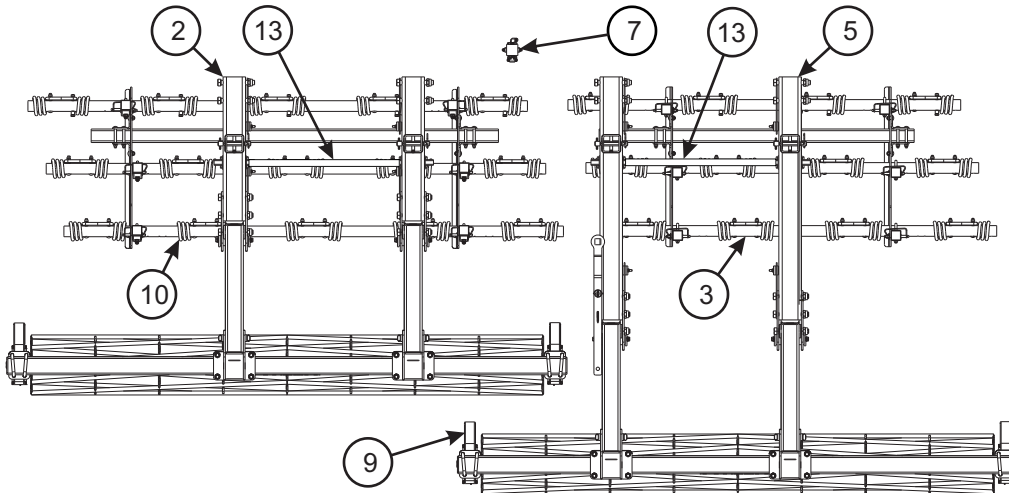
Figure 2-24: Finishing Combo w/ Chopper Reel Assembly

FINISHING COMBO W/ CHOPPER REEL ASSEMBLY

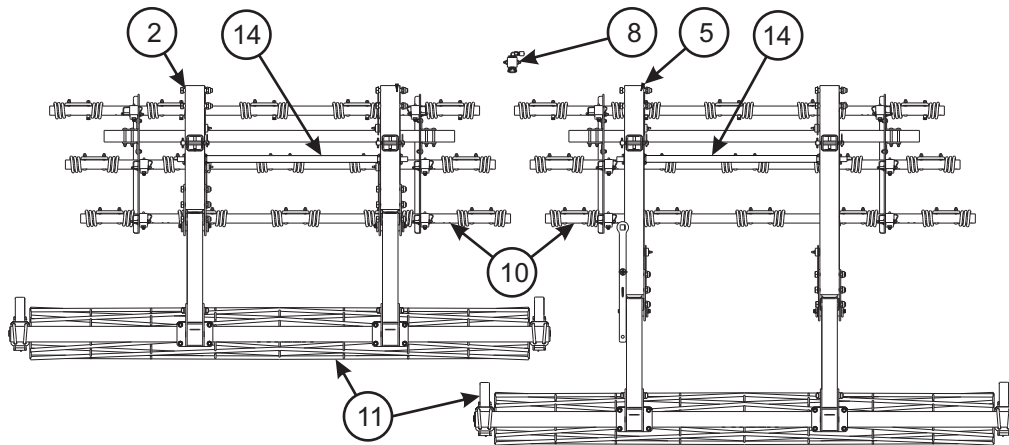
ITEM	PART NO.	DESCRIPTION	QTY.		
	171115	FINISHING COMBO W/ CHOPPER (2410-6-24)	*		
	171128	FINISHING COMBO W/ CHOPPER (2410-7-24)		*	
	170066	FINISHING COMBO W/ CHOPPER (2410-9-24)			*
1	154410	REEL/GANG BAR ASSEMBLY 114" (SEE PAGE 2-67)	--	2	--
2	155595	REEL/GANG BAR ASSEMBLY 129" (SEE PAGE 2-67)	--	--	2
3	172477	5 TINE HARROW ASSEMBLY, CENTER (SEE PAGE 2-55)	--	1	2
4	170847	HARROW ARM ASSEMBLY, COMBO ATTACH (SEE PAGE 2-49)	2	2	2
5	170864	4 TINE HARROW ASSEMBLY, RH (SEE PAGE 2-55)	1	1	--
6	170868	COMBO ATTACHMENT ARM ASSEMBLY, 30" EXT (SEE PAGE 2-49)	2	2	2
7	170865	4 TINE HARROW ASSEMBLY, LH (SEE PAGE 2-55)	1	--	--
8	172529	REEL/GANG BAR ASSEMBLY 97" (SEE PAGE 2-67)	2	--	--
9	172543	FINISHING COMBO CRATE (SEE PAGE 2-43)	1	--	--
10	172544	FINISHING COMBO CRATE (SEE PAGE 2-45)	--	1	--
11	172545	FINISHING COMBO CRATE (SEE PAGE 2-47)	--	--	1
12	180362	TUBE, SQUARE 1-1/2 X 14GA X 42	2	--	--
13	180325	TUBE, SQUARE 1-1/2 X 14GA X 33-1/8	--	2	--
14	180363	TUBE, SQUARE 1-1/2 X 14GA X 43-3/4	--	--	2



P/N 172492 (2410-6-24)



P/N 172493 (2410-7-24)



P/N 172494 (2410-9-24)

m172492

Figure 2-25: Finishing Combo w/ Conditioner Reel Assembly

FINISHING COMBO W/ CONDITIONER REEL ASSEMBLY

ITEM	PART NO.	DESCRIPTION	QTY.		
	172492	FINISHING COMBO W/ CONDITIONER REEL (2410-6-24)	*		
	172493	FINISHING COMBO W/ CONDITIONER REEL (2410-7-24)		*	
	172494	FINISHING COMBO W/ CONDITIONER REEL (2410-9-24)			*
1	155545	CONDITIONER REEL/GANGBAR ASSEMBLY 97" (SEE PAGE 2-69)	2	--	--
2	170847	HARROW ARM ASSEMBLY, COMBO ATTACH (SEE PAGE 2-49)	2	2	2
3	170864	4 TINE HARROW ASSEMBLY, RH (SEE PAGE 2-55)	1	1	--
4	170865	4 TINE HARROW ASSEMBLY, LH (SEE PAGE 2-55)	1	--	--
5	170868	COMBO ATTACHMENT ARM ASSEMBLY, 30" EXT (SEE PAGE 2-49)	2	2	2
6	172543	FINISHING COMBO CRATE (SEE PAGE 2-43)	1	--	--
7	172544	FINISHING COMBO CRATE (SEE PAGE 2-45)	--	1	--
8	172545	FINISHING COMBO CRATE (SEE PAGE 2-47)	--	--	1
9	154687	CONDITIONER REEL/GANGBAR ASSEMBLY 114" (SEE PAGE 2-69)		2	
10	172477	5 TINE HARROW ASSEMBLY, CENTER (SEE PAGE 2-55)	--	1	2
11	156125	CONDITIONER REEL/GANGBAR ASSEMBLY 129" (SEE PAGE 2-69)	--	--	2
12	180362	TUBE, SQUARE 1-1/2 X 14GA X 42	2	--	--
13	180325	TUBE, SQUARE 1-1/2 X 14GA X 33-1/8	--	2	--
14	180363	TUBE, SQUARE 1-1/2 X 14GA X 43-3/4	--	--	2

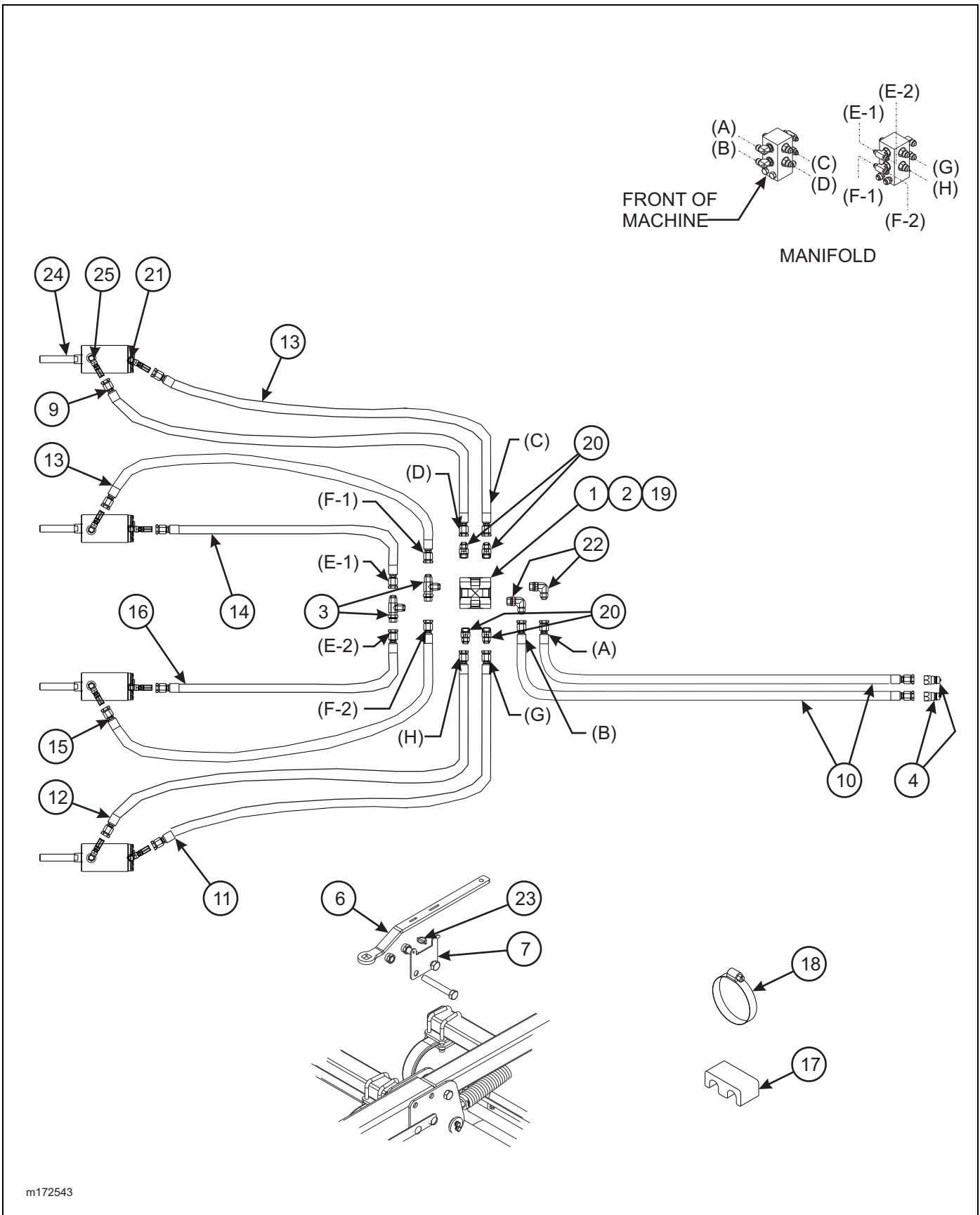
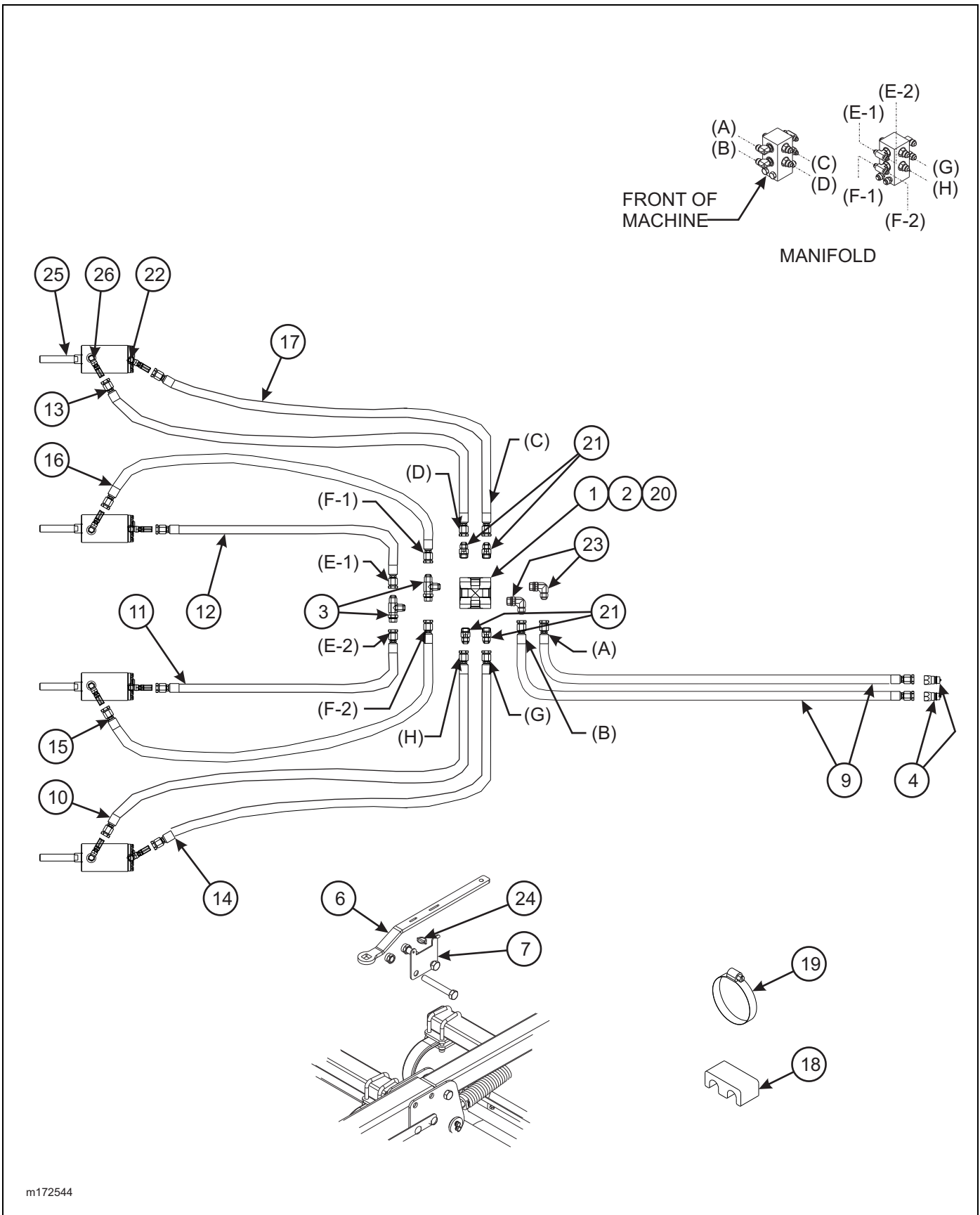


Figure 2-26: Finishing Combo w/ Reel Hydraulic and Miscellaneous Parts Assembly (2410-6-24)

FINISHING COMBO W/ REEL HYDR. AND MISC. PARTS ASSEMBLY (2410-6-24)

ITEM	PART NO.	DESCRIPTION	QTY.
	172543	FINISHING COMBO CRATE (2410-6-24)	1
1	1-512-010005-09	NUT, HEX LOCK 1/2-13 GRB	2
2	1-654-010055-11	SCREW, HEX HEAD CAP 1/2-13 X 3-1/2 GR5	2
3	139347	ADAPTER TEE	2
4	141828	COUPLER, MALE 3/4-16	2
5	155530	HOSE WRAP, BLACK 1" ID X 8" (NOT SHOWN)	1
6	171394	PLATE, WRENCH HARROW ADJUSTMENT	1
7	172480	MOUNT, WRENCH COMBO	1
8	172515	REAR JACK ASSEMBLY (NOT SHOWN) (SEE PAGE 2-81)	1
9	125648	HOSE ASSEMBLY 1/4 X 108	1
10	172481	HOSE ASSEMBLY 3/8 X 428	2
11	43030	HOSE ASSEMBLY 1/4 X 118-1/2	1
12	71509001	HOSE ASSEMBLY 1/4 X 137	1
13	71509004	HOSE ASSEMBLY 1/4 X 98	2
14	71509006	HOSE ASSEMBLY 1/4 X 80	1
15	71600529	HOSE ASSEMBLY 1/4 X 120	1
16	7779-102	HOSE ASSEMBLY, 1/4 X 102	1
17	172974	CLAMP, 2 HOSE	8
18	172977	CLAMP, HOSE 2-1/2 - 8-12	8
19	2-474-010022	MANIFOLD, HYDRAULIC ASSEMBLY 8 PORT	1
20	202702-8-6S	ADAPTER	4
21	2061-6-6S	ADAPTER, 45	4
22	2062-8-8S	ADAPTER, 90	2
23	70239854	PIN, QUICK HITCH	1
24	185766	CYLINDER, 2-1/2 X 3-1/2 STROKE (SEE PAGE 2-51) (BEFORE 6-8-2017)	REF
	206672	CYLINDER, 2-1/2 X 3-1/2 STROKE (SEE PAGE 2-52) (AFTER 6-8-2017)	REF
25	2062-6-6S	ADAPTER, 90	REF



m172544

Figure 2-27: Finishing Combo w/ Reel Hydraulic and Miscellaneous Parts Assembly (2410-7-24)

FINISHING COMBO W/ REEL HYDR. AND MISC. PARTS ASSEMBLY (2410-7-24)

ITEM	PART NO.	DESCRIPTION	QTY.
	172544	FINISHING COMBO CRATE (2410-7-24)	1
1	1-512-010005-09	NUT, HEX LOCK 1/2-13 GRB	2
2	1-654-010055-11	SCREW, HEX HEAD CAP 1/2-13 X 3-1/2 GR5	2
3	139347	ADAPTER TEE	2
4	141828	COUPLER, MALE 3/4-16	2
5	155530	HOSE WRAP, BLACK 1" ID X 8" (NOT SHOWN)	1
6	171394	PLATE, WRENCH HARROW ADJUSTMENT	1
7	172480	MOUNT, WRENCH COMBO	1
8	172515	REAR JACK ASSEMBLY (SEE PAGE 2-81)	1
9	172481	HOSE ASSEMBLY 3/8 X 428	2
10	71508981	HOSE ASSEMBLY 1/4 X 130	1
11	172568	HOSE ASSEMBLY 1/4 X 86	1
12	71509010	HOSE ASSEMBLY 1/4 X 64	1
13	71509123	HOSE ASSEMBLY 1/4 X 104	1
14	71509124	HOSE ASSEMBLY 1/4 X 116	1
15	7779-102	HOSE ASSEMBLY, 1/4 X 102	1
16	7779-78	HOSE ASSEMBLY, 1/4 X 78	1
17	7779-90	HOSE ASSEMBLY, 1/4 X 90	1
18	172974	CLAMP, 2 HOSE	8
19	172977	CLAMP, HOSE 2-1/2 - 8-12	8
20	2-474-010022	MANIFOLD, HYDRAULIC ASSEMBLY 8 PORT	1
21	202702-8-6S	ADAPTER	4
22	2061-6-6S	ADAPTER, 45	4
23	2062-8-8S	ADAPTER, 90	2
24	70239854	PIN, QUICK HITCH	1
25	185766	CYLINDER, 2-1/2 X 3-1/2 STROKE (SEE PAGE 2-51) (BEFORE 6-8-2007)	REF
	206672	CYLINDER, 2-1/2 X 3-1/2 STROKE (SEE PAGE 2-52) (AFTER 6-8-2007)	REF
26	2062-6-6S	ADAPTER, 90	REF

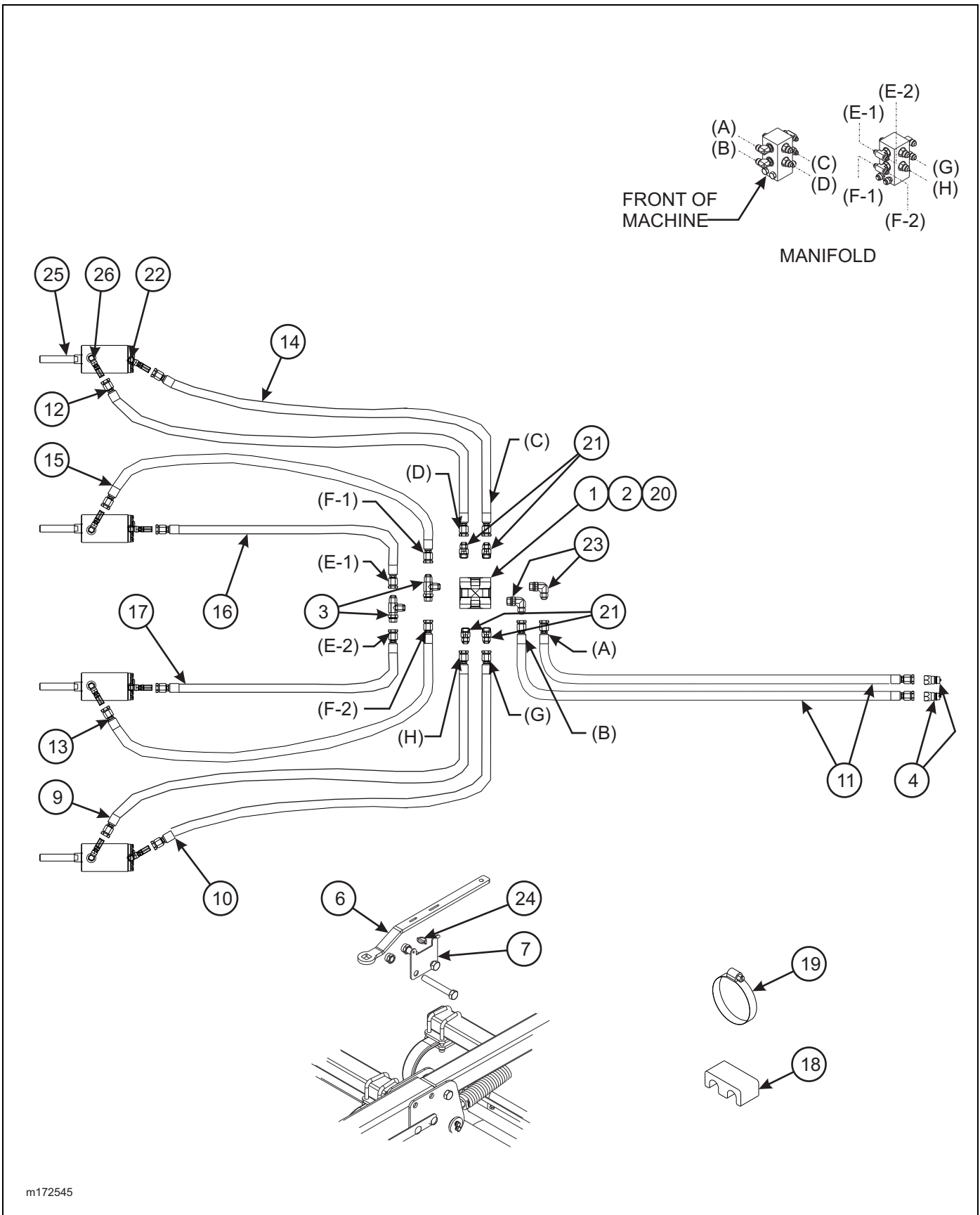
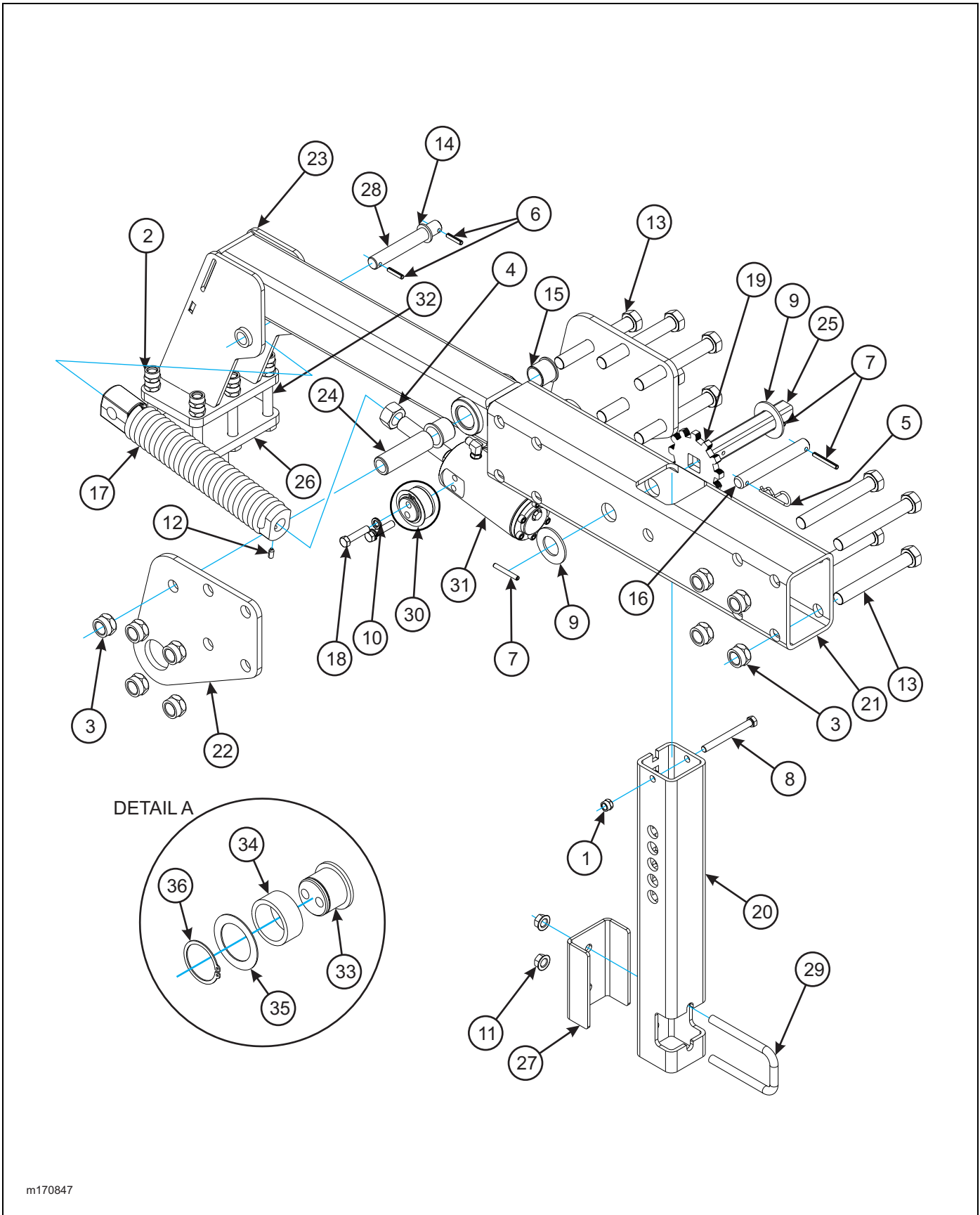


Figure 2-28: Finishing Combo w/ Reel Hydraulic and Miscellaneous Parts Assembly (2410-9-24)

FINISHING COMBO W/ REEL HYDR. AND MISC. PARTS ASSEMBLY (2410-9-24)

ITEM	PART NO.	DESCRIPTION	QTY.
	172545	FINISHING COMBO CRATE (2410-9-24)	1
1	1-512-010005-09	NUT, HEX LOCK 1/2-13 GRB	2
2	1-654-010055-11	SCREW, HEX HEAD CAP 1/2-13 X 3-1/2 GR5	2
3	139347	ADAPTER TEE	2
4	141828	COUPLER, MALE 3/4-16	2
5	155530	HOSE WRAP, BLACK 1" ID X 8" (NOT SHOWN)	1
6	171394	PLATE, WRENCH HARROW ADJUSTMENT	1
7	172480	MOUNT, WRENCH COMBO	1
8	172515	REAR JACK ASSEMBLY (SEE PAGE 2-81)	1
9	149007	HOSE ASSEMBLY 1/4 X 156	1
10	169849	HOSE ASSEMBLY 1/4 X 144	1
11	172481	HOSE ASSEMBLY 3/8 X 428	2
12	71508981	HOSE ASSEMBLY 1/4 X 130	1
13	71509123	HOSE ASSEMBLY 1/4 X 104	1
14	71509124	HOSE ASSEMBLY 1/4 X 116	1
15	71509788	HOSE ASSEMBLY 1/4 X 84	1
16	7779-72	HOSE ASSEMBLY 1/4 X 72	1
17	7779-90	HOSE ASSEMBLY, 1/4 X 90	1
18	172974	CLAMP, 2 HOSE	8
19	172977	CLAMP, HOSE 2-1/2 - 8-12	8
20	2-474-010022	MANIFOLD, HYDRAULIC ASSEMBLY 8 PORT	1
21	202702-8-6S	ADAPTER	4
22	2061-6-6S	ADAPTER, 45	4
23	2062-8-8S	ADAPTER, 90	2
24	70239854	PIN, QUICK HITCH	1
25	185766	CYLINDER, 2-1/2 X 3-1/2 STROKE (SEE PAGE 2-51) (BEFORE 6-8-2007)	REF
25	206672	CYLINDER, 2-1/2 X 3-1/2 STROKE (SEE PAGE 2-52) (AFTER 6-8-2007)	REF
26	2062-6-6S	ADAPTER, 90	REF



m170847

Figure 2-29: Combo Attachment Harrow Arm Assembly

COMBO ATTACHMENT HARROW ARM ASSEMBLY

ITEM	PART NO.	DESCRIPTION	QTY.	
	170847	HARROW ARM ASSEMBLY, COMBO ATTACH	*	
	170868	HARROW ARM ASSEMBLY, COMBO ATTACH 30" EXT	*	
1	1-512-010005-09	NUT, HEX LOCK 1/2-13 GRB	1	1
2	1-512-010005-15	NUT, HEX LOCK 3/4-10 GRB	10	10
3	1-512-010005-19	NUT, HEX LOCK 1-8 GRB	9	9
4	1-512-010007-14	NUT, HEX 1-8 GRB (BEFORE 6-8-2017)	1	1
	206675	NUT, 1-1/8 -12 UNF, Z/P GR 2 (AFTER 6-8-2017)	1	1
5	1-557-010013	PIN, HAIR 3/16	1	1
6	1-647-010004236	ROLL PIN, SLOTTED 5/16 X 1-1/2	2	2
7	1-647-010004240	SPRING PIN, SLOTTED 5/16 X 2-1/2	3	3
8	1-654-010055-15	SCREW, HEX HEAD CAP 1/2-13 X 5 GR5	1	1
9	1-861-010032-32	WASHER, FLAT 1-1/2N	2	2
10	1-861-010034-13	WASHER, SPLIT LOCK 1/2	4	4
11	29SFFL_5811	NUT, FLANGE HEAD LOCK 5/8-11 UNC	2	2
12	1P444	SET SCREW, 3/8-16 X 3/4 NYLON (AFTER 6-8-2017)	1	1
13	100856	SCREW, HEX HEAD CAP 1-8 X 7-1/2 GR5	9	9
14	117957	MACHINERY BUSHING	2	2
15	140599	BEARING, FLANGE 1-1/2	2	2
16	158299	PIN, 1 X 7-5/16	1	1
17	158795	SPRING ASSEMBLY, 17" (BEFORE 6-8-2017)	1	1
	206652	SPRING ASSY 17" 1-1/8 THD (AFTER 6-8-2017)	1	1
18	169690	SCREW, HEX HEAD CAP 1/2-13 X 2-1/4 GR5	4	4
19	170787	GEAR, HARROW ADJUSTMENT	1	1
20	170844	TUBE, HARROW ADJUST COMBO ATTACHMENT	1	1
21	170846	TUBE, COMBO HARROW ARM (170847)	1	--
	170869	TUBE, HARROW ARM 20" (170868)	--	1
22	170850	PLATE, SPRING MOUNT	2	2
23	170851	ARM, REEL	1	1
24	170852	BUSHING, PIVOT 5"	1	1
25	170857	TUBE, HARROW HEIGHT ADJ HANDLE	1	1
26	170862	PLATE, GANG BAR MOUNT	1	1
27	171427	PLATE, HARROW STIFFENER	1	1
28	172526	PIN, PIVOT	1	1
29	8-102-010043	U BOLT SPRING CLAMP	1	1
30	172534	TRUNNION, CYLINDER (BEFORE 2-20-2016)	2	2
	198321	ASSY, TRUNION MOUNT 1-5/8" (AFTER 2-20-2016) (INCLUDES ITEMS 33-36)		
31	172537	CYLINDER, HYDRAULIC 2-1/2 X 2-1/2 STROKE (SEE PAGE 2-50)(PRIOR TO 9/1/14)	1	1
	185766	CYLINDER, 2-1/2 X 3-1/2 STROKE (SEE PAGE 2-51)(EFFECTIVE FROM 9/1/14)	1	1
	206672	CYLINDER, 2-1/2 X 3-1/2 STROKE 1-1/8 THDS (SEE PAGE 2-52)(EFFECTIVE FROM 6/8/17)	1	1
32	172884	SCREW HEX CAP, 3/4-10 UNCX 6 GR8 ZP	5	5
33	188528	TRUNION, CYLINDER	1	1
34	188531	TRUNION, BEARING	1	1
35	109895	WASHER, 3ODX2-1/16X14GA	1	1
36	188530	SNAP RING, 2 SHAFT	1	1

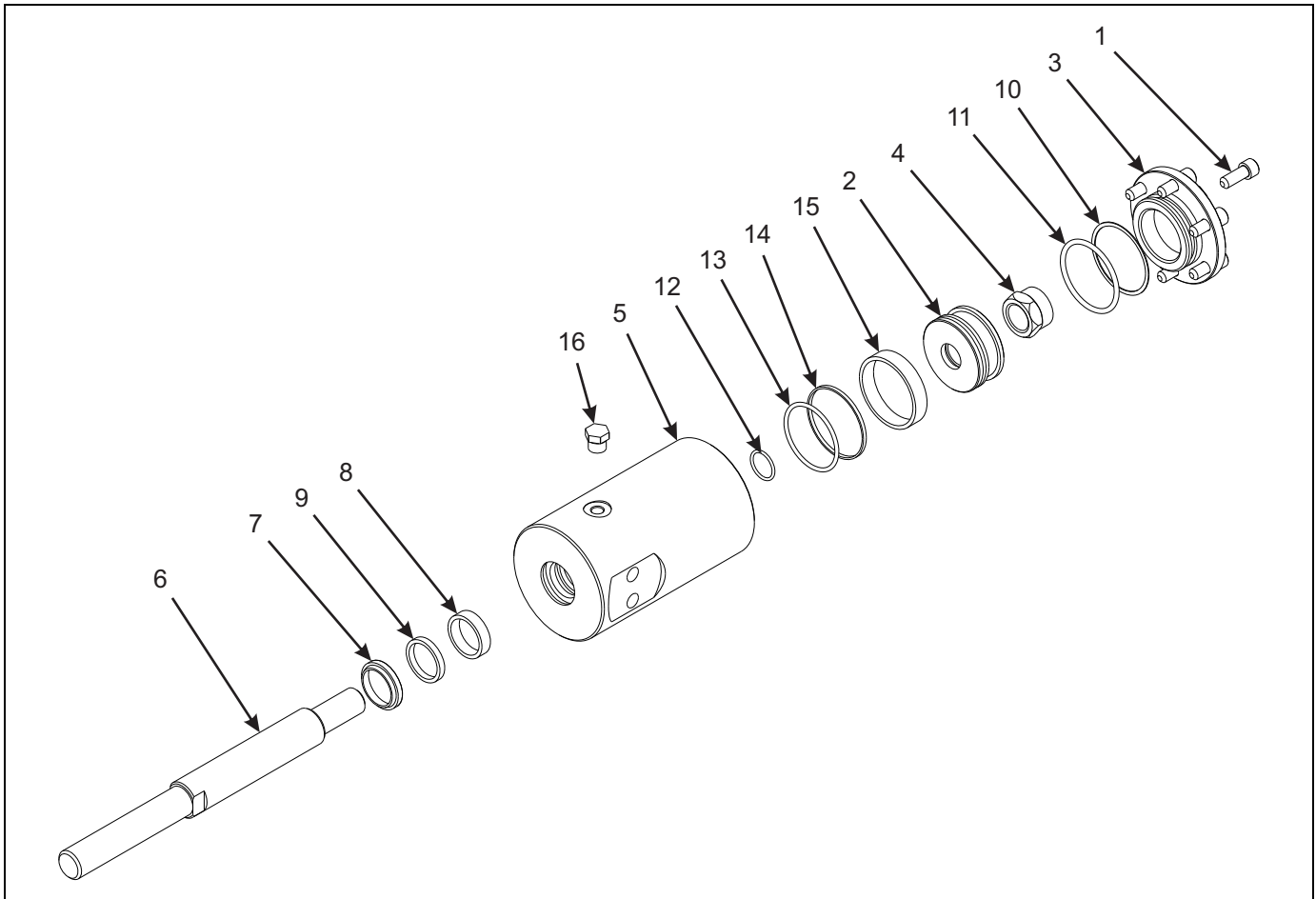


Figure 2-30: Hydraulic Cylinder - 2-1/2 X 2-1/2"

Hydraulic Cylinder - 2-1/2" X 2-1/2"

ITEM	PART NO.	DESCRIPTION	QTY.
	172537	CYLINDER, HYDRAULIC 2-1/2 X 2-1/2 STROKE (BEFORE 9/1/14)	
1	1-654-010104245	SCREW, HEX SOCKET 3/8-16 X 1	6
2	171079	PISTON, 2-1/2 BORE	1
3	171080	BASE CAP 2-1/2	1
4	171093	NUT, HEX LOCK 7/8-14 GRC	1
5	172538	CYLINDER, BARREL 2-1/2 STROKE	1
6	172539	ROD, 1-1/4 DIA, 2-1/2" STROKE	1
7	172948	WIPER, 1-1/4 ROD	1
8	172949	WEAR RING, 1-1/4 ROD	1
9	172950	U-CUP, 1-1/4 ROD	1
10	172951	BACK-UP RING, CAP	1
11	172952	O-RING, CAP	1
12	172953	O-RING, PISTON	1
13	172954	O-RING, PISTON	1
14	172955	SEAL, 2-1/2 PISTON	1
15	172956	WEAR RING, 2-1/2 PISTON	1
16	900598-6S	PLUG, O-RING 9/16-18	2
	171081	SEAL KIT (NOT SHOWN) (INCLUDES ITEMS 7-15)	

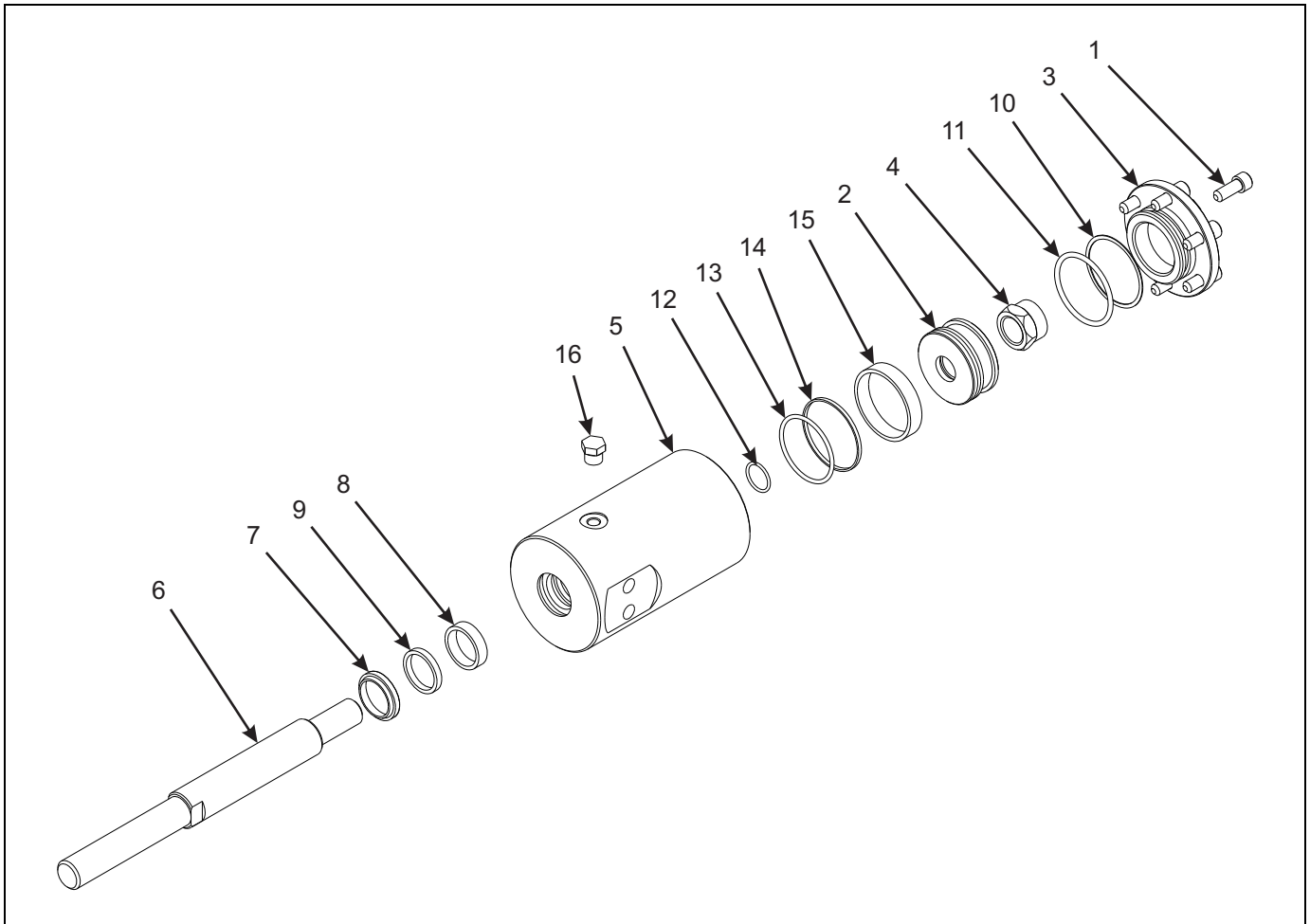


Figure 2-31: Hydraulic Cylinder - 2-1/2 X 3-1/2" (7/8" Threads)

Hydraulic Cylinder - 2-1/2" X 3-1/2" (7/8" Threads)

ITEM	PART NO.	DESCRIPTION	QTY.
	185766	CYLINDER, HYDRAULIC 2-1/2 X 3-1/2 STROKE (BEFORE 6-8-2017)	
1	1-654-010104245	SCREW, HEX SOCKET 3/8-16 X 1	6
2	171079	PISTON, 2-1/2 BORE	1
3	171080	BASE CAP 2-1/2	1
4	171093	NUT, HEX LOCK 7/8-14 GRC	1
5	185767	CYLINDER, BARREL 2-1/2 STROKE	1
6	185768	ROD, 1-1/4 DIA, 3-1/2" STROKE	1
7	172948	WIPER, 1-1/4 ROD	1
8	172949	WEAR RING, 1-1/4 ROD	1
9	172950	U-CUP, 1-1/4 ROD	1
10	172951	BACK-UP RING, CAP	1
11	172952	O-RING, CAP	1
12	172953	O-RING, PISTON	1
13	172954	O-RING, PISTON	1
14	172955	SEAL, 2-1/2 PISTON	1
15	172956	WEAR RING, 2-1/2 PISTON	1
16	900598-6S	PLUG, O-RING 9/16-18	2
	171081	SEAL KIT (NOT SHOWN) (INCLUDES ITEMS 7-15)	

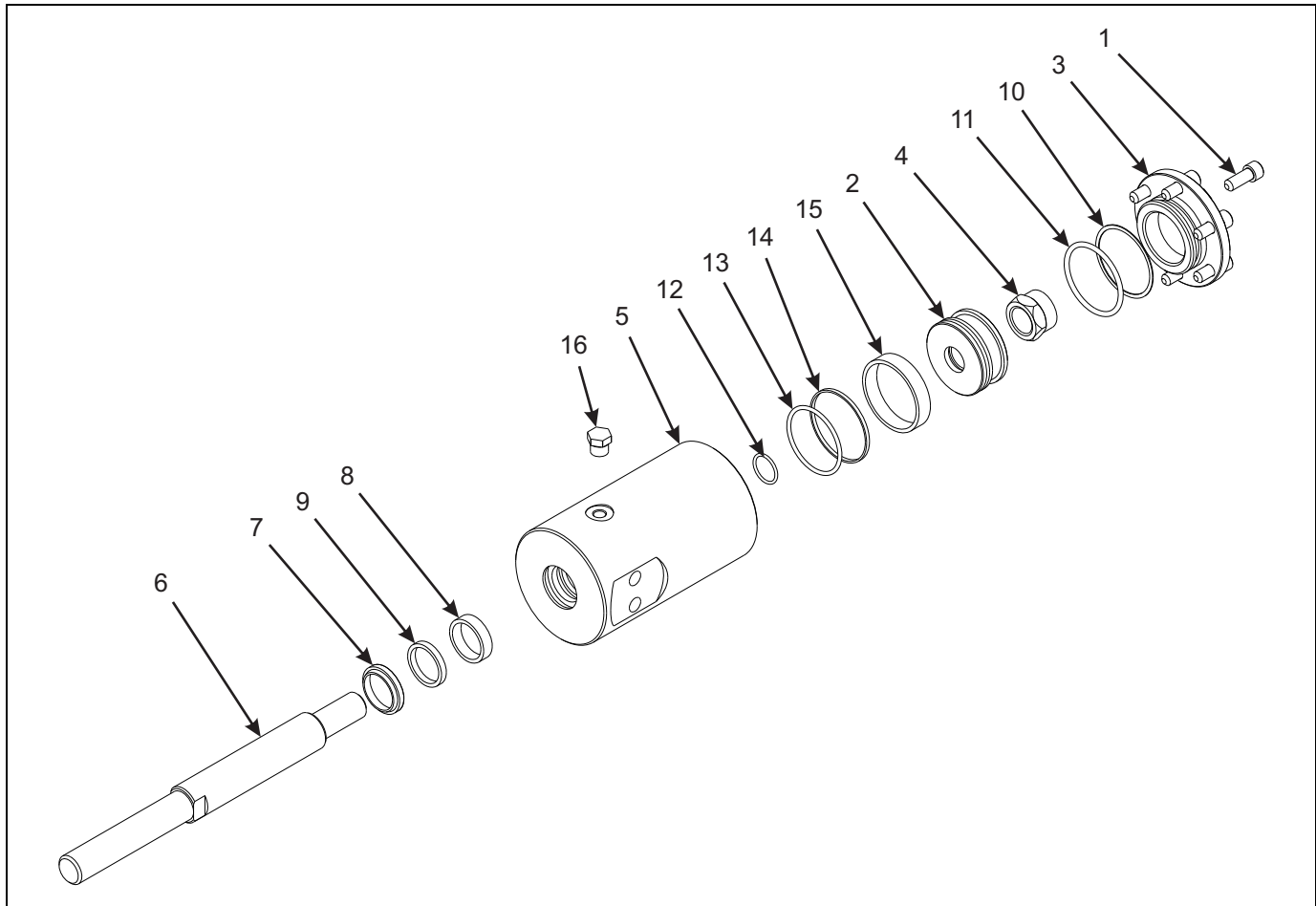


Figure 2-32: Hydraulic Cylinder - 2-1/2 X 3-1/2" (1-1/8" Threads)

Hydraulic Cylinder - 2-1/2" X 3-1/2" (1-1/8" Threads)

ITEM	PART NO.	DESCRIPTION	QTY.
	206672	CYLINDER, HYDRAULIC 2-1/2 X 3-1/2 ST 1-1/8THD (AFTER 6-8-2017)	
1	1-654-010104245	SCREW, HEX SOCKET 3/8-16 X 1	6
2	171079	PISTON, 2-1/2 BORE	1
3	171080	BASE CAP 2-1/2	1
4	171093	NUT, HEX LOCK 7/8-14 GRC	1
5	185767	CYLINDER, BARREL 2-1/2 STROKE	1
6	206674	ROD, 1-1/4 DIA, 3-1/2" STROKE (1-1/8 THREADS) (AFTER 6-8-2017)	1
7	172948	WIPER, 1-1/4 ROD	1
8	172949	WEAR RING, 1-1/4 ROD	1
9	172950	U-CUP, 1-1/4 ROD	1
10	172951	BACK-UP RING, CAP	1
11	172952	O-RING, CAP	1
12	172953	O-RING, PISTON	1
13	172954	O-RING, PISTON	1
14	172955	SEAL, 2-1/2 PISTON	1
15	172956	WEAR RING, 2-1/2 PISTON	1
16	900598-6S	PLUG, O-RING 9/16-18	2
	171081	SEAL KIT (NOT SHOWN) (INCLUDES ITEMS 7-15)	

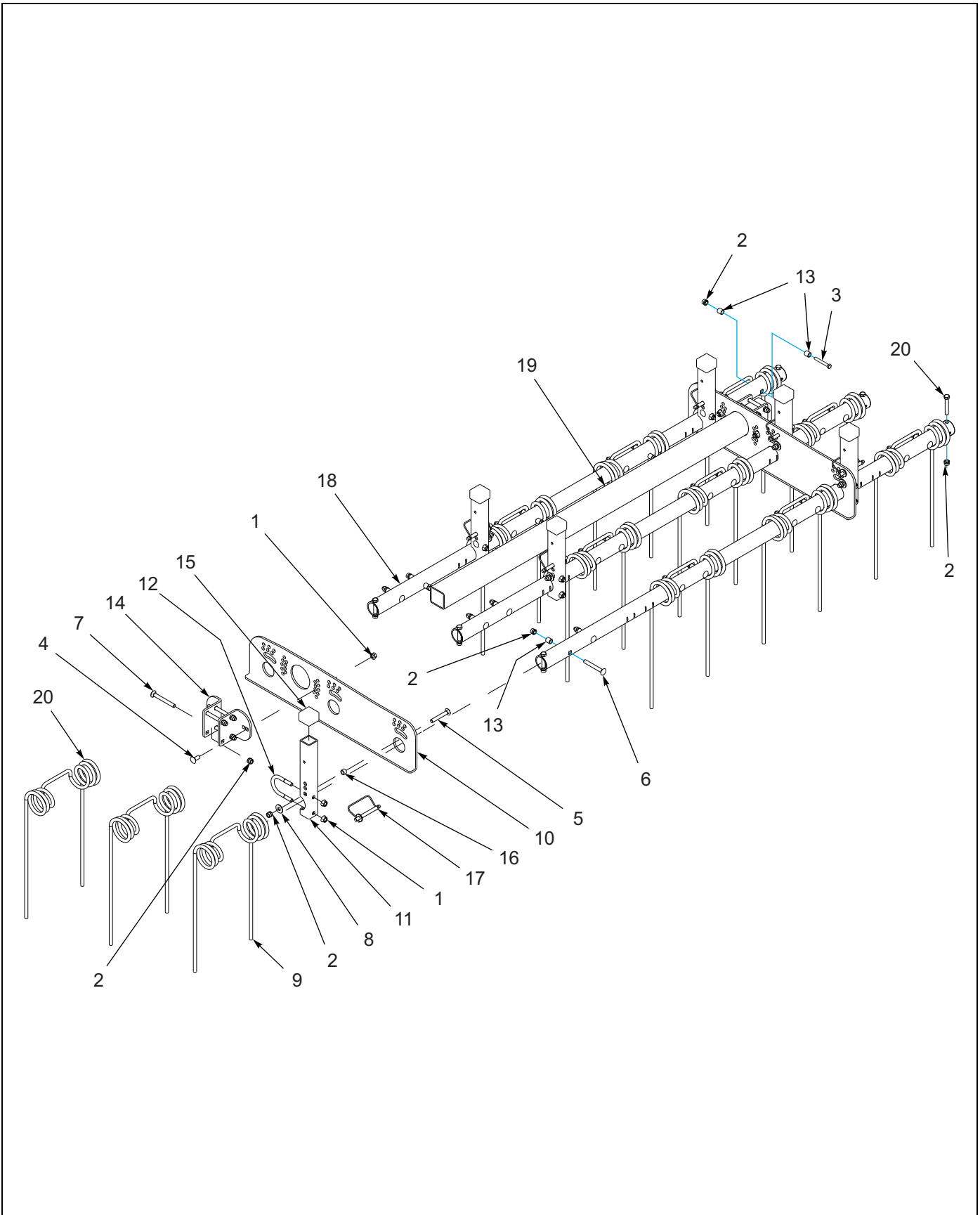


Figure 2-33: 3 Row Coil Tine Harrow Assembly

3 ROW COIL TINE HARROW ASSEMBLY

ITEM	PART NO.	DESCRIPTION	QTY.		
	172477	5 TINE HARROW ASSEMBLY, CENTER	*		
	170864	4 TINE HARROW ASSEMBLY, RH		*	
	170865	4 TINE HARROW ASSEMBLY, LH			*
1	1-510-010003-09	NUT, FLANGE HEAD SERRATED 1/2-13	24	16	16
2	1-512-010005-09	NUT, HEX LOCK 1/2-13 GRB	42	44	44
3	1-654-010055-14	SCREW, HEX HEAD CAP 1/2-13 X 4-1/2 GR5	5	4	4
4	1-654-010070-02	SCREW, RD HEAD SQ NECK 1/2-13 X 1-1/4	4	4	4
5	1-654-010070-11	SCREW, RD HEAD SQ NECK 1/2-13 X 3-1/2	6	6	6
6	1-654-010070-13	SCREW, RD HEAD SQ NECK 1/2-13 X 4	25	20	20
7	1-654-010070-14	SCREW, RD HEAD SQ NECK 1/2-13 X 4-1/2	8	8	8
8	1-861-010032-15	WASHER, FLAT 1/2 W	6	6	6
9	171421	TINE, HARROW SPRING	15	12	12
10	154993	PLATE, GANG BAR	2	2	2
11	154994	TUBE, ANGLE ADJUST	6	6	6
12	154995	U-BOLT, 1/2	6	6	6
13	154997	BUSHING, TINE RETAINER	35	28	28
14	154998	PLATE, ANGLE ADJUSTMENT	4	4	4
15	155927	CAP, TUBE 1.95 X 1.5 BLACK	6	6	6
16	155956	BUSHING, ANGLE ADJUSTMENT	6	6	6
17	155971	PIN, HARROW ADJUSTMENT	6	6	6
18	195244	GANG BAR, 5 TINE 111" (172477)	3	--	--
18	195243	GANG BAR, 4 TINE 87-1/4" (170864 & 170865)	--	3	3
19	156778	TUBE, RIDE BAR 90.5" (172477)	1	--	--
19	170870	TUBE, SQ. 3 X 3/16 X 70" (170864 & 170865)	--	1	1
20	1-654-010055-09	SCREW,HX CP,1/2-13UNCX3 GR5	6	6	6

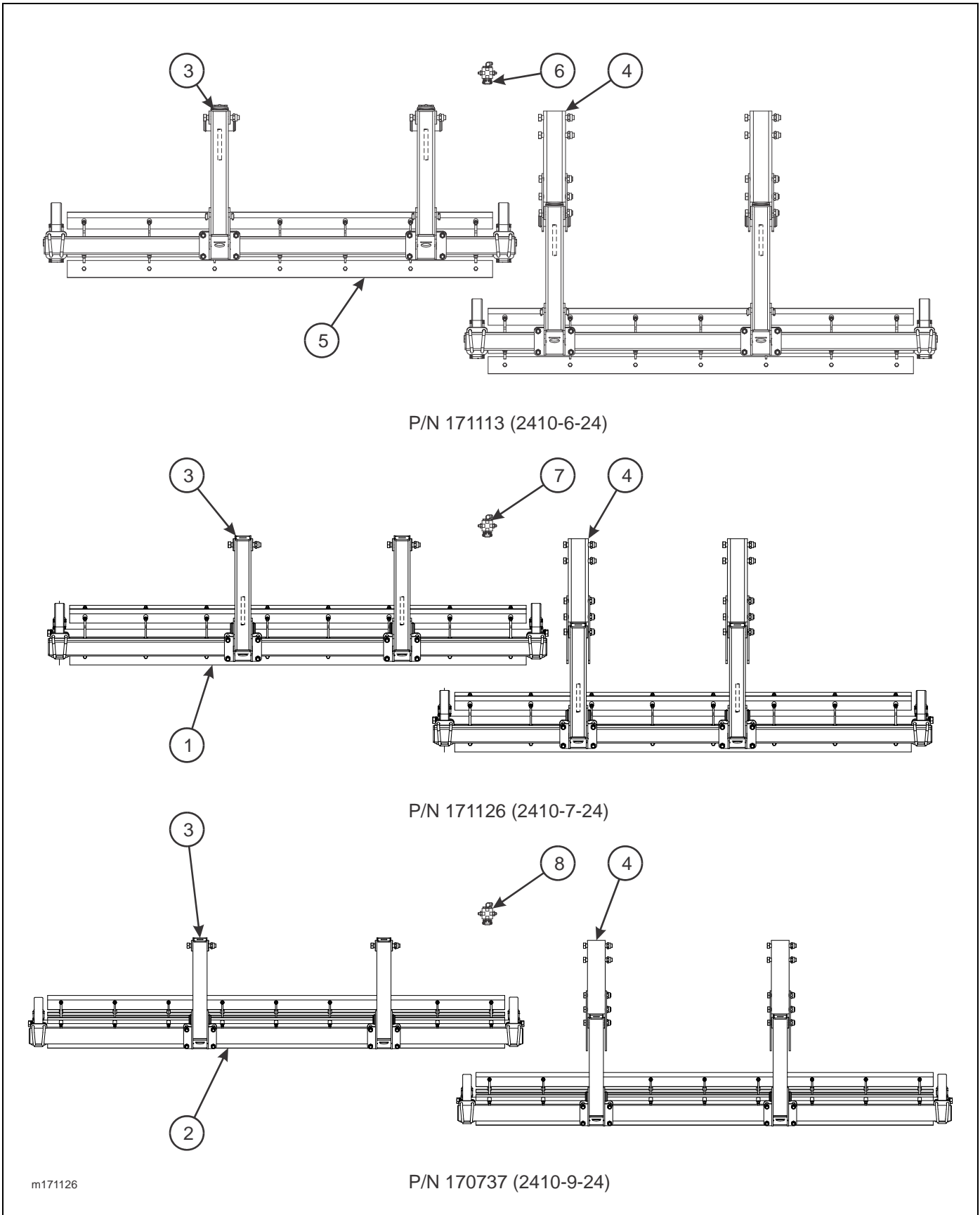


Figure 2-34: Finishing Chopper Assembly

FINISHING CHOPPER ASSEMBLY

ITEM	PART NO.	DESCRIPTION	QTY.		
	171113	FINISHING CHOPPER ASSEMBLY (2410-6-24)	*		
	171126	FINISHING CHOPPER ASSEMBLY (2410-7-24)		*	
	170737	FINISHING CHOPPER ASSEMBLY (2410-9-24)			*
1	154410	REEL/GANG BAR ASSEMBLY 114" (SEE PAGE 2-67)	--	2	--
2	155595	REEL/GANG BAR ASSEMBLY 129" (SEE PAGE 2-67)	--	--	2
3	170727	REEL ARM ASSEMBLY (SEE PAGE 2-71)	2	2	2
4	170732	REEL ARM ASSEMBLY, 20" EXT (SEE PAGE 2-73)	2	2	2
5	172529	REEL/GANG BAR ASSEMBLY 97" (SEE PAGE 2-67)	2	--	--
6	172549	STD. REEL CRATE (SEE PAGE 2-61)	1	--	--
7	172550	STD. REEL CRATE (SEE PAGE 2-63)	--	1	--
8	172551	STD. REEL CRATE (SEE PAGE 2-65)	--	--	1

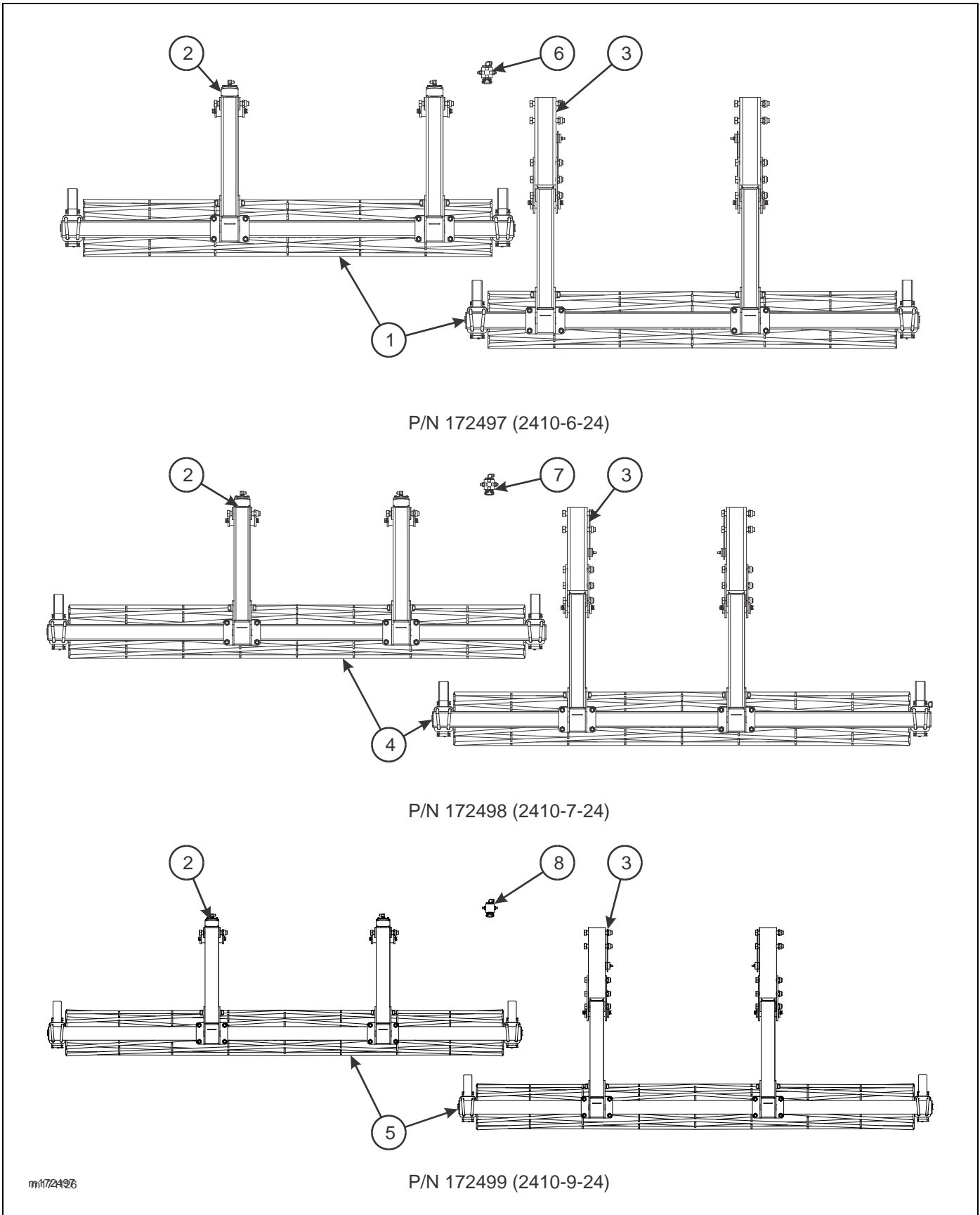


Figure 2-35: Finishing Conditioner Reel Assembly

FINISHING CONDITIONER REEL ASSEMBLY

ITEM	PART NO.	DESCRIPTION	QTY.		
	172497	FINISHING CONDITIONER REEL ASSEMBLY (2410-6-24)	*		
	172498	FINISHING CONDITIONER REEL ASSEMBLY (2410-7-24)		*	
	172499	FINISHING CONDITIONER REEL ASSEMBLY (2410-9-24)			*
1	155545	CONDITIONER REEL/GANGBAR ASSEMBLY 97" (SEE PAGE 2-69)	2	--	--
2	170727	REEL ARM ASSEMBLY (SEE PAGE 2-71)	2	2	2
3	170732	REEL ARM ASSEMBLY, 20" EXT (SEE PAGE 2-73)	2	2	2
4	154687	CONDITIONER REEL/GANGBAR ASSEMBLY 114" (SEE PAGE 2-69)		2	
5	156125	CONDITIONER REEL/GANGBAR ASSEMBLY 129" (SEE PAGE 2-69)	--	--	2
6	172549	STD. REEL CRATE (SEE PAGE 2-61)	1	--	--
7	172550	STD. REEL CRATE (SEE PAGE 2-63)	--	1	--
8	172551	STD. REEL CRATE (SEE PAGE 2-65)	--	--	1

ILLUSTRATED PARTS LIST

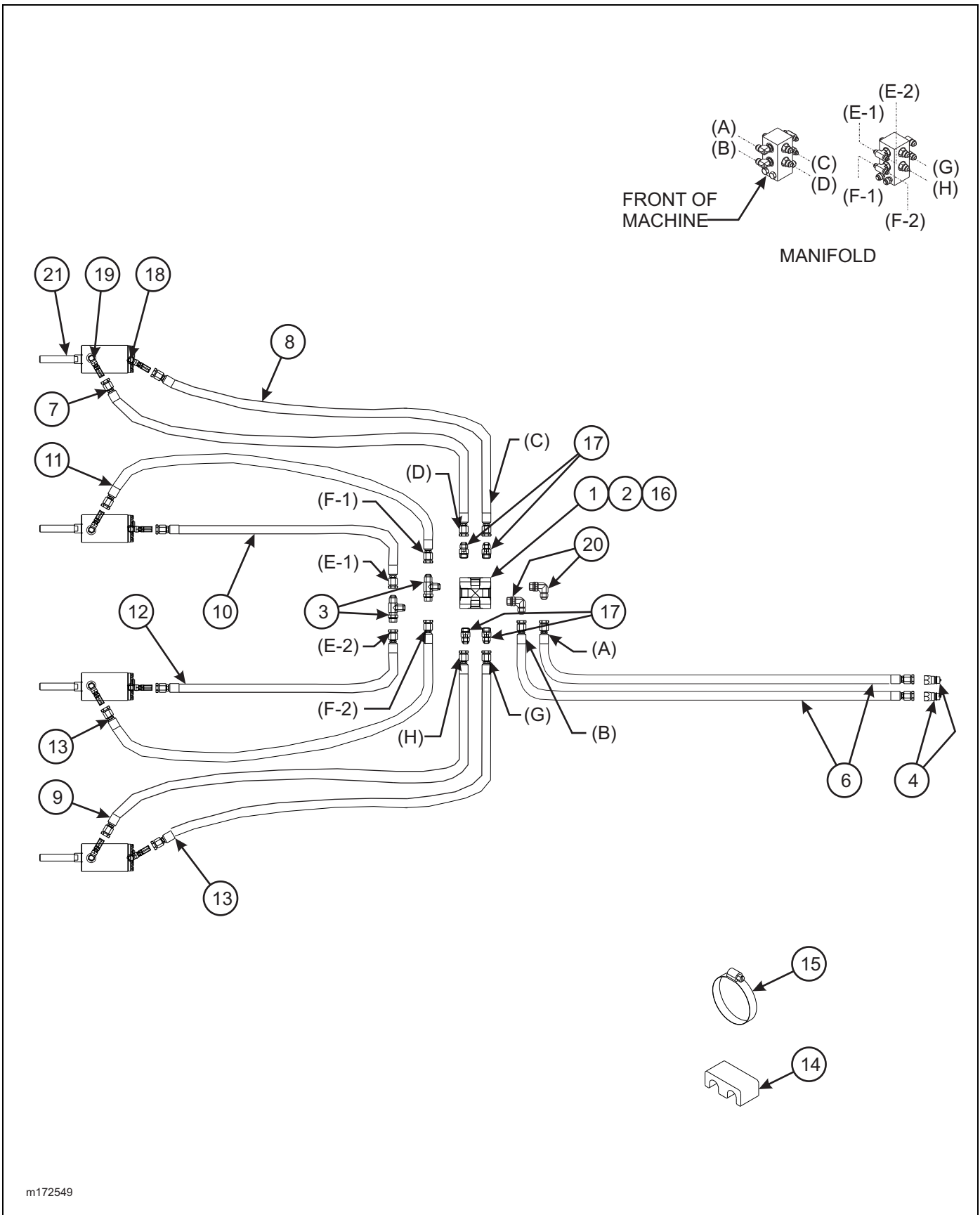


Figure 2-36: Finishing Reel Hydraulic and Miscellaneous Parts Assembly (2410-6-24)

FINISHING REEL HYDRAULIC AND MISCELLANEOUS PARTS ASSEMBLY (2410-6-24)

ITEM	PART NO.	DESCRIPTION	QTY.
	172549	FINISHING REEL CRATE (2410-6-24)	1
1	1-512-010005-09	NUT, HEX LOCK 1/2-13 GRB	2
2	1-654-010055-11	SCREW, HEX HEAD CAP 1/2-13 X 3-1/2 GR5	2
3	139347	ADAPTER TEE	2
4	141828	COUPLER, MALE 3/4-16	2
5	155530	HOSE WRAP, BLACK 1" ID X 8" (NOT SHOWN)	1
6	172481	HOSE ASSEMBLY 3/8 X 428	2
7	71509006	HOSE ASSEMBLY 1/4 X 80	1
8	71509010	HOSE ASSEMBLY 1/4 X 64	1
9	7779-102	HOSE ASSEMBLY, 1/4 X 102	1
10	7779-54	HOSE ASSEMBLY 1/4 X 54	1
11	7779-72	HOSE ASSEMBLY, 1/4 X 72	1
12	7779-78	HOSE ASSEMBLY, 1/4 X 78	1
13	7779-90	HOSE ASSEMBLY, 1/4 X 90	2
14	172974	CLAMP, 2 HOSE	8
15	172977	CLAMP, HOSE 2-1/2 - 8-12	8
16	2-474-010022	MANIFOLD, HYDRAULIC ASSEMBLY 8 PORT	1
17	202702-8-6S	ADAPTER	4
18	2061-6-6S	ADAPTER, 45	4
19	2062-6-6S	ADAPTER, 90	6
20	2062-8-8S	ADAPTER, 90	2
21	172537	CYLINDER, 2-1/2 X 2-1/2 STROKE (SEE PAGE 2-50)	REF

ILLUSTRATED PARTS LIST

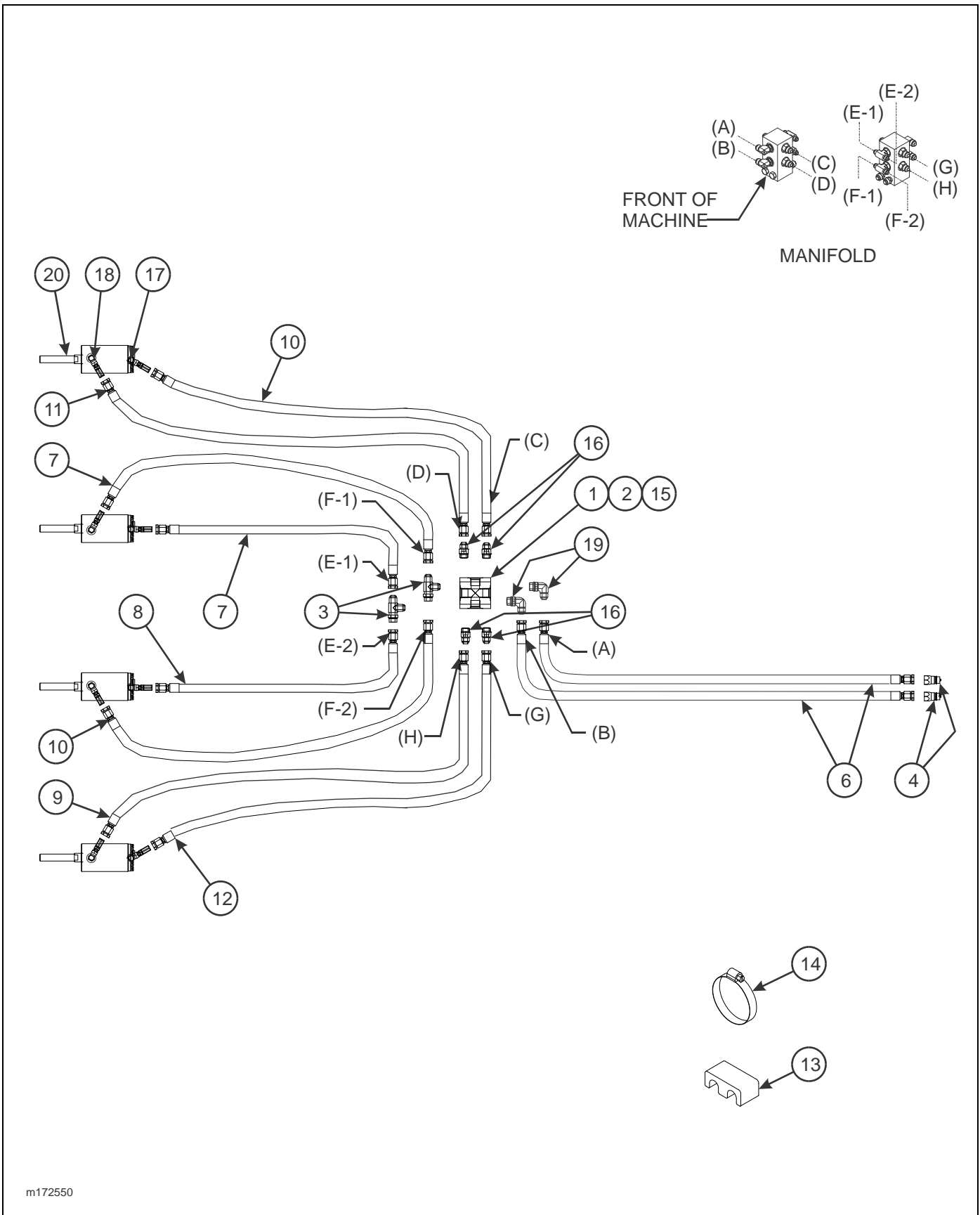


Figure 2-37: Finishing Reel Hydraulic and Miscellaneous Parts Assembly (2410-7-24)

FINISHING REEL HYDRAULIC AND MISCELLANEOUS PARTS ASSEMBLY (2410-7-24)

ITEM	PART NO.	DESCRIPTION	QTY.
	172550	FINISHING REEL CRATE (2410-7-24)	1
1	1-512-010005-09	NUT, HEX LOCK 1/2-13 GRB	2
2	1-654-010055-11	SCREW, HEX HEAD CAP 1/2-13 X 3-1/2 GR5	2
3	139347	ADAPTER TEE	2
4	141828	COUPLER, MALE 3/4-16	2
5	155530	HOSE WRAP, BLACK 1" ID X 8" (NOT SHOWN)	1
6	172481	HOSE ASSEMBLY 3/8 X 428	2
7	71500165	HOSE ASSEMBLY 1/4 X 46	2
8	71500166	HOSE ASSEMBLY 1/4 X 52	2
9	71509004	HOSE ASSEMBLY 1/4 X 98	1
10	7779-72	HOSE ASSEMBLY, 1/4 X 72	1
11	7779-78	HOSE ASSEMBLY, 1/4 X 78	1
12	7779-84	HOSE ASSEMBLY 1/4 X 84	1
13	172974	CLAMP, 2 HOSE	8
14	172977	CLAMP, HOSE 2-1/2 - 8-12	8
15	2-474-010022	MANIFOLD, HYDRAULIC ASSEMBLY 8 PORT	1
16	202702-8-6S	ADAPTER	4
17	2061-6-6S	ADAPTER, 45	4
18	2062-6-6S	ADAPTER, 90	6
19	2062-8-8S	ADAPTER, 90	2
20	172537	CYLINDER, 2-1/2 X 2-1/2 STROKE (SEE PAGE 2-50)	REF

FINISHING REEL HYDRAULIC AND MISCELLANEOUS PARTS ASSEMBLY (2410-9-24)

ITEM	PART NO.	DESCRIPTION	QTY.
	172551	FINISHING REEL CRATE (2410-9-24)	1
1	1-512-010005-09	NUT, HEX LOCK 1/2-13 GRB	2
2	1-654-010055-11	SCREW, HEX HEAD CAP 1/2-13 X 3-1/2 GR5	2
3	139347	ADAPTER TEE	2
4	141828	COUPLER, MALE 3/4-16	2
5	155530	HOSE WRAP, BLACK 1" ID X 8" (NOT SHOWN)	1
6	125648	HOSE ASSEMBLY 1/4 X 108	1
7	172481	HOSE ASSEMBLY 3/8 X 428	2
8	71509004	HOSE ASSEMBLY 1/4 X 98	1
9	71509010	HOSE ASSEMBLY 1/4 X 64	1
10	71600529	HOSE ASSEMBLY 1/4 X 120	1
11	7779-48	HOSE ASSEMBLY 1/4 X 48	2
12	7779-78	HOSE ASSEMBLY, 1/4 X 78	1
13	7779-90	HOSE ASSEMBLY, 1/4 X 90	1
14	172974	CLAMP, 2 HOSE	2
15	172977	CLAMP, HOSE 2-1/2 - 8-12	2
16	2-474-010022	MANIFOLD, HYDRAULIC ASSEMBLY 8 PORT	1
17	202702-8-6S	ADAPTER	4
18	2061-6-6S	ADAPTER, 45	2
19	2062-6-6S	ADAPTER, 90	6
20	2062-8-8S	ADAPTER, 90	2
21	172537	CYLINDER, 2-1/2 X 2-1/2 STROKE (SEE PAGE 2-50)	REF

ILLUSTRATED PARTS LIST

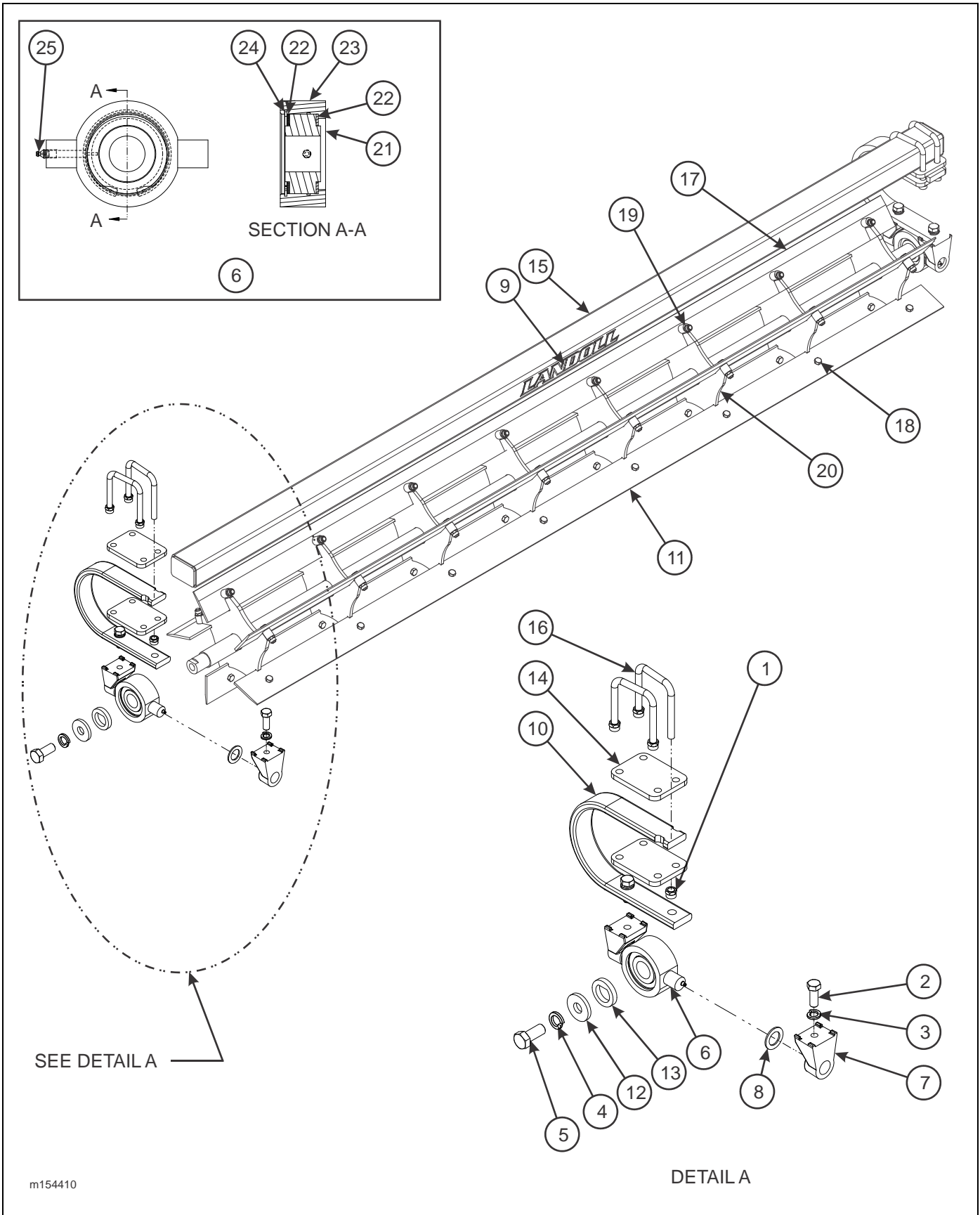
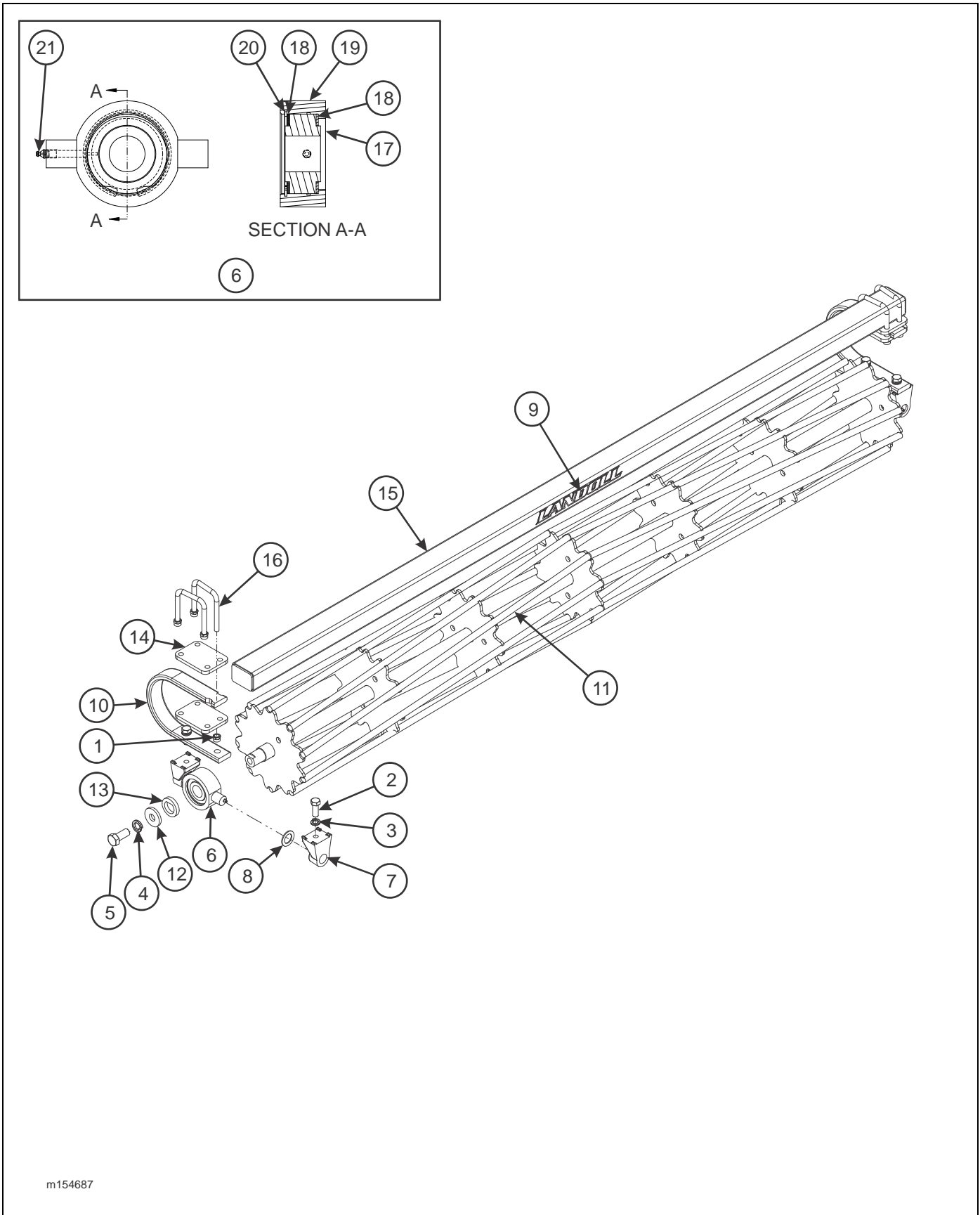


Figure 2-39: Reel/Gang Bar Assembly

REEL/GANGBAR ASSEMBLY

ITEM	PART NO.	DESCRIPTION	QTY.
	154410	REEL/GANGBAR ASSEMBLY 114"	
	155595	REEL/GANGBAR ASSEMBLY 129"	
	172529	REEL/GANG BAR ASSEMBLY 97"	
1	1-512-010005-13	NUT, HEX LOCK 5/8-11 GRB	8
2	1-654-010032-05	SCREW, HEX HEAD CAP 3/4-10 X 2 GR8	4
3	1-861-010034-17	WASHER, SPLIT LOCK 3/4	4
4	1-861-010034-21	WASHER, SPLIT LOCK 1"	2
5	137943	SCREW, HEX HEAD CAP 1-8 X 2-1/4 GR5	2
6	140477	BEARING, DISC 1.775 ID ASSEMBLY (INCL. ITEMS 21 - 25)	2
7	140479	MOUNT, TRUNNION BEARING	4
8	140480	WASHER, TRUNNION	2
9	148337	ATTACHMENT DECAL, LANDOLL	1
10	153716	SHANK, STRAIGHT 3/4 X 2-1/2	2
11	154182	REEL ASSEMBLY 114" BLADE (154410) (INCL ITEMS 17-20)	1
	155592	REEL ASSEMBLY 129" BLADE (155595) (INCL ITEMS 17-20)	1
	172528	REEL ASSEMBLY 97" BLADE (172529) (INCL ITEMS 17-20)	1
12	154185	WASHER, 3/8	2
13	154186	WASHER, FLAT TOP	2
14	154393	PLATE, SHANK MOUNT	4
15	154659	GANG BAR, 124" REEL 114" (154410)	1
	155594	GANG BAR, 139" REEL 129" (155595)	1
	155544	GANG BAR, 107" REEL 97 (155544)	1
16	6-102-010009	U-BOLT	4
17	8-622-010081	REEL BLADE 114" (154182)	5
	155589	REEL BLADE 129" (155592)	5
	172531	REEL BLADE 97" (172528)	5
18	1-654-010055-05	SCREW, HEX HEAD CAP 1/2-13 X 2 GR5	40
19	1-512-010005-09	NUT, HEX LOCK 1/2-13 GRB	40
20	154138	REEL ASSEMBLY 114" BLADE (154182)	1
	155591	REEL ASSEMBLY 129" BLADE (155592)	1
	172527	REEL ASSEMBLY 97" BLADE (172528)	1
21	140464	BEARING, DISC 1.775ID	1
22	140473	WASHER, BEARING	2
23	140475	CASTING, TRUNNION BEARING	1
24	140476	INTERNAL RETAINING RING	1
25	5000	ZERK, FITTING 1/8	1

ILLUSTRATED PARTS LIST

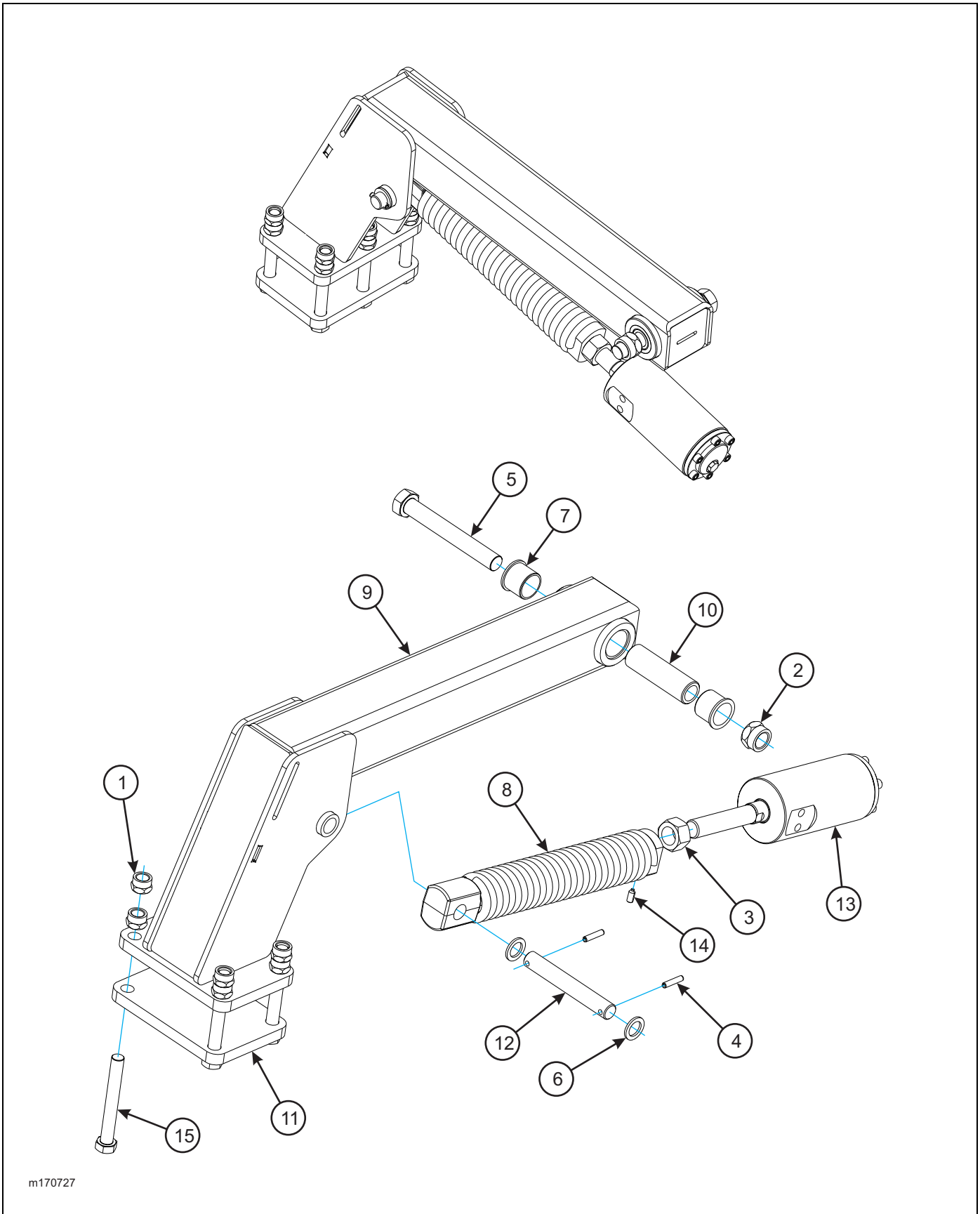


m154687

Figure 2-40: Conditioner Reel/Gang Bar Assembly

CONDITIONER REEL/GANGBAR ASSEMBLY

ITEM	PART NO.	DESCRIPTION	QTY.
	154687	CONDITIONER REEL/GANGBAR ASSY, 114"	
	156125	CONDITIONER REEL/GANGBAR ASSY, 129"	
	155545	CONDITIONER REEL/GANGBAR ASSY, 97"	
1	1-512-010005-13	NUT, HEX LOCK 5/8-11 GRB	8
2	1-654-010032-05	SCREW, HEX HEAD CAP 3/4-10 X 2 GR8	4
3	1-861-010034-17	WASHER, SPLIT LOCK 3/4	4
4	1-861-010034-21	WASHER, SPLIT LOCK 1"	2
5	137943	SCREW, HEX HEAD CAP 1-8 X 2-1/4 GR5	2
6	140477	BEARING, DISC 1.775 ID ASSEMBLY (INCL. ITEMS 17 - 21)	2
7	140479	MOUNT, TRUNNION BEARING	4
8	140480	WASHER, TRUNNION	2
9	148337	ATTACHMENT DECAL, LANDOLL	1
10	153716	SHANK, STRAIGHT 3/4 X 2-1/2	2
11	156124	CONDITIONER REEL, 129" (156125)	1
	154692	CONDITIONER REEL, 114" (154687)	1
12	154185	WASHER, 3/8 THICK	2
13	154186	WASHER, FLAT TOP	2
14	154393	PLATE, SHANK MOUNT	4
15	155594	GANG BAR, 139" REEL 129" (156125)	1
	154659	GANG BAR, 124" REEL 114" (154687)	1
	155544	GANG BAR, 107" REEL 97" (155545)	1
16	6-102-010009	U-BOLT	4
17	140464	BEARING, DISC 1.775ID	1
18	140473	WASHER, BEARING	2
19	140475	CASTING, TRUNNION BEARING	1
20	140476	INTERNAL RETAINING RING	1
21	5000	ZERK, FITTING 1/8	1



m170727

Figure 2-41: Reel Arm Assembly

REEL ARM ASSEMBLY

ITEM	PART NO.	DESCRIPTION	QTY.
	170727	REEL ARM ASSEMBLY	
1	1-512-010005-15	NUT, HEX LOCK 3/4-10 GRB	10
2	1-512-010005-19	NUT, HEX LOCK 1-8 GRB	1
3	1-512-010007-14	NUT, HEX 1-8 GRB (BEFORE 6-8-2017)	1
	206675	NUT, HEX 1-1/8-12 UNF GR5 ZP (AFTER 6-8-2017)	1
4	1-647-010004236	ROLL PIN, SLOTTED 5/16 X 1-1/2	2
5	100856	SCREW, HEX HEAD CAP 1-8 X 7-1/2 GR5	1
6	117957	MACHINERY BUSHING	2
7	140599	BEARING, FLANGE 1-1/2	2
8	158795	SPRING ASSEMBLY, 17" (BEFORE 6-8-2017)	1
	206652	SPRING ASSEMBLY, 17" 1-1/8 THD (AFTER 6-8-2017)	1
9	170851	ARM, REEL	1
10	170852	BUSHING, PIVOT 5"	1
11	170862	PLATE, GANG BAR MOUNT	1
12	172526	PIN, PIVOT	1
13	172537	CYLINDER, HYDRAULIC 2-1/2 X 2-1/2 STROKE (SEE PAGE 2-50) (BEFORE 9/1/14)	1
13	185766	CYLINDER, HYDRAULIC 2-1/2 X 3-1/2 STROKE (SEE PAGE 2-51) (AFTER 9/1/14)	1
13	206675	CYLINDER, HYDRAULIC 2-1/2 X 3-1/2 ST 1-1/8 THDS (SEE PAGE 2-52) (AFTER 6-8-2017)	1
14	1P444	SET SCREW, 3/8-16 X 3/4 NYLON (AFTER 6-8-2017)	1
15	172884	SCREW, HEX CAP 3/4-10UNCX6 GR8 ZP	5

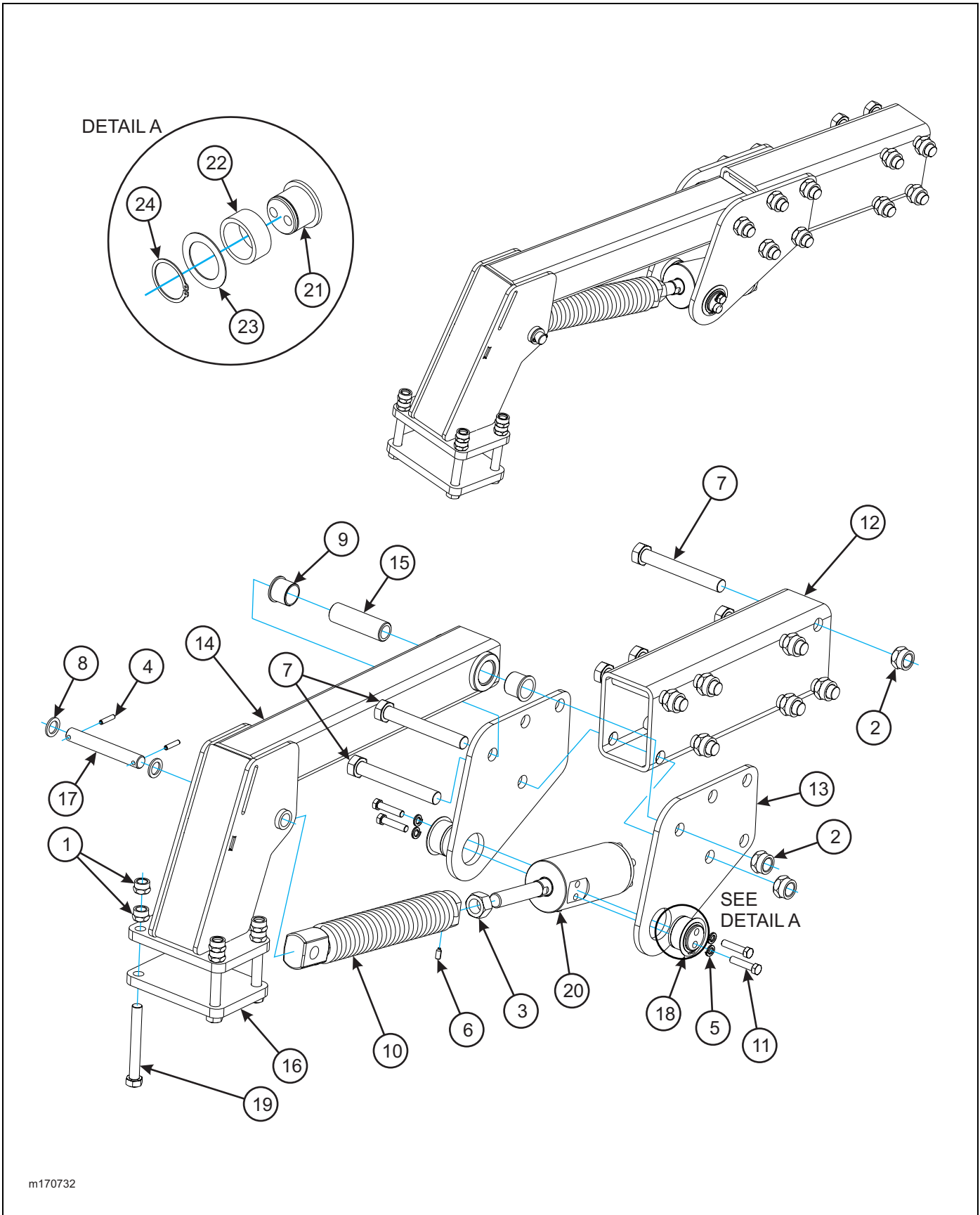


Figure 2-42: Reel Arm Assembly

REEL ARM ASSEMBLY

ITEM	PART NO.	DESCRIPTION	QTY.
	170732	REEL ARM ASSEMBLY	
1	1-512-010005-15	NUT, HEX LOCK 3/4-10 GRB	5
2	1-512-010005-19	NUT, HEX LOCK 1-8 GRB	9
3	1-512-010007-14	NUT, HEX 1-8 GRB (BEFORE 6-8-17)	1
	206675	NUT, HEX 1-1/8-12 UNF GR5 ZP (AFTER 6-8-17)	1
4	1-647-010004236	ROLL PIN, SLOTTED 5/16 X 1-1/2	2
5	1-861-010034-13	WASHER, LKG, HCL SPR, 1/2	4
6	1P444	SET SCREW, 3/8-16X3/4 NYLON (AFTER 6-8-17)	1
7	100856	SCREW, HEX 1-8UNC X 7-1/2 GR5	9
8	117957	MACHINERY BUSHING	2
9	140599	BEARING, FLANGE 1-1/2	2
10	158795	SPRING ASSEMBLY, 17" (BEFORE 6-8-17)	1
	206652	SPRING ASSY, 17" 1-7/8 THD (AFTER 6-8-17)	1
11	169690	SCREW, HEX HEAD CAP 1/2-13 X 2-1/4 GR5	4
12	170730	TUBE, HARROW ARM 20"	1
13	170850	PLATE, SPRING MOUNT	2
14	170851	ARM, REEL	1
15	170852	BUSHING, PIVOT 5"	1
16	170862	PLATE, GANG BAR MOUNT	1
17	172526	PIN, PIVOT	1
18	172534	TRUNNION, CYLINDER (BEFORE 2-20-16)	2
	198321	ASSY, TRUNION MOUNT 1-5/8" (AFTER 2-20-16)	2
19	172884	SCREW HEX CAP, 3/4-10UNCX6 GR8 ZP	5
20	172537	CYLINDER, HYDRAULIC 2-1/2 X 2-1/2 STROKE (SEE PAGE 2-50) (BEFORE 9/1/14)	1
	185766	CYLINDER, HYDRAULIC 2-1/2 X 3-1/2 STROKE (SEE PAGE 2-51) (AFTER 9/1/14)	1
	206672	CYLINDER, HYDRAULIC 2-1/2 X 3-1/2 ST 1-1/8 THDS (SEE PAGE 2-52) (AFTER 6/8/17)	1
21	188528	TRUNION, CYLINDER	1
22	188531	TRUNION, BEARING	1
23	109895	WASHER, 30D X 2-1/16 ID X 14GA	1
24	188530	SNAP RING, 2 SHAFT	1

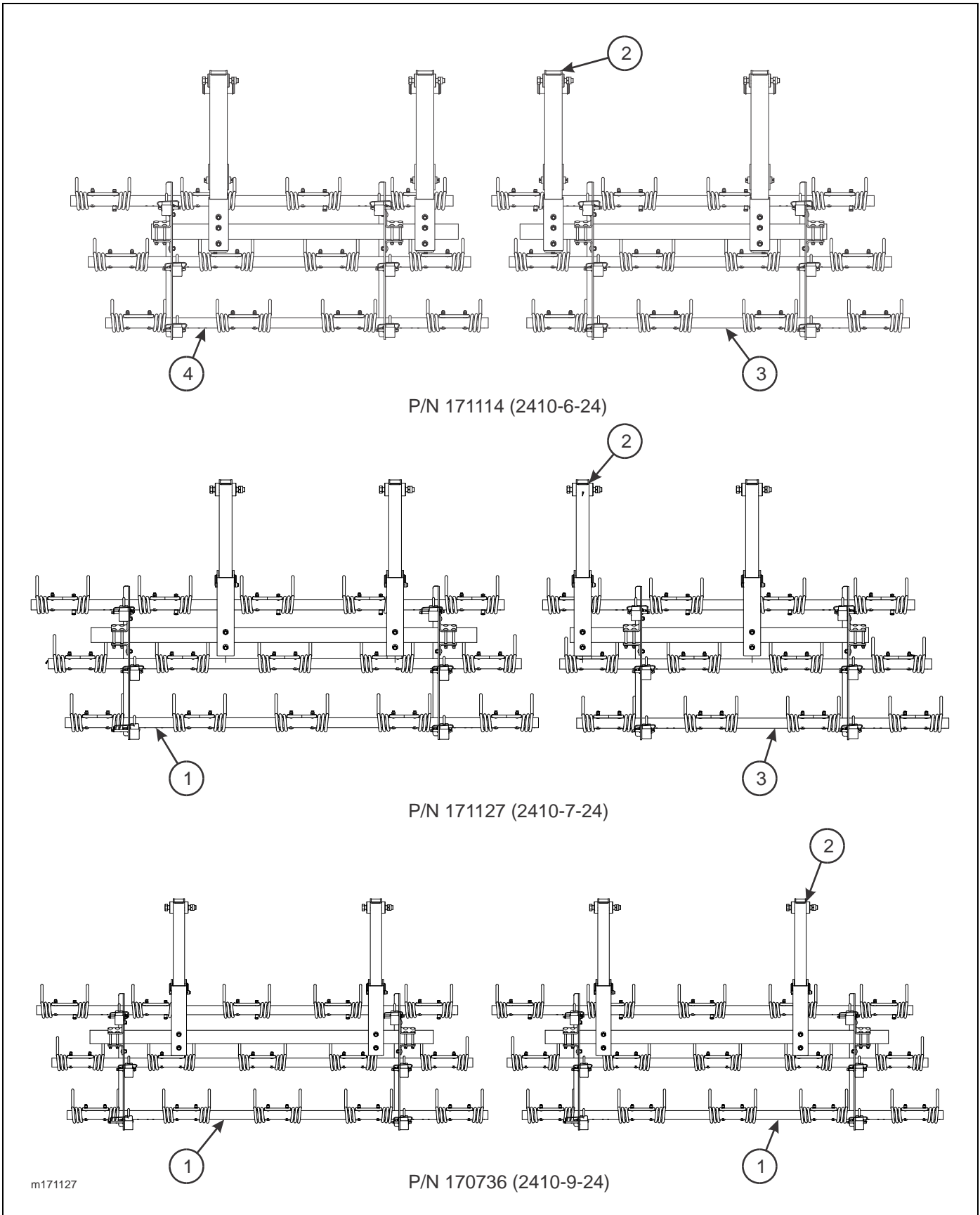
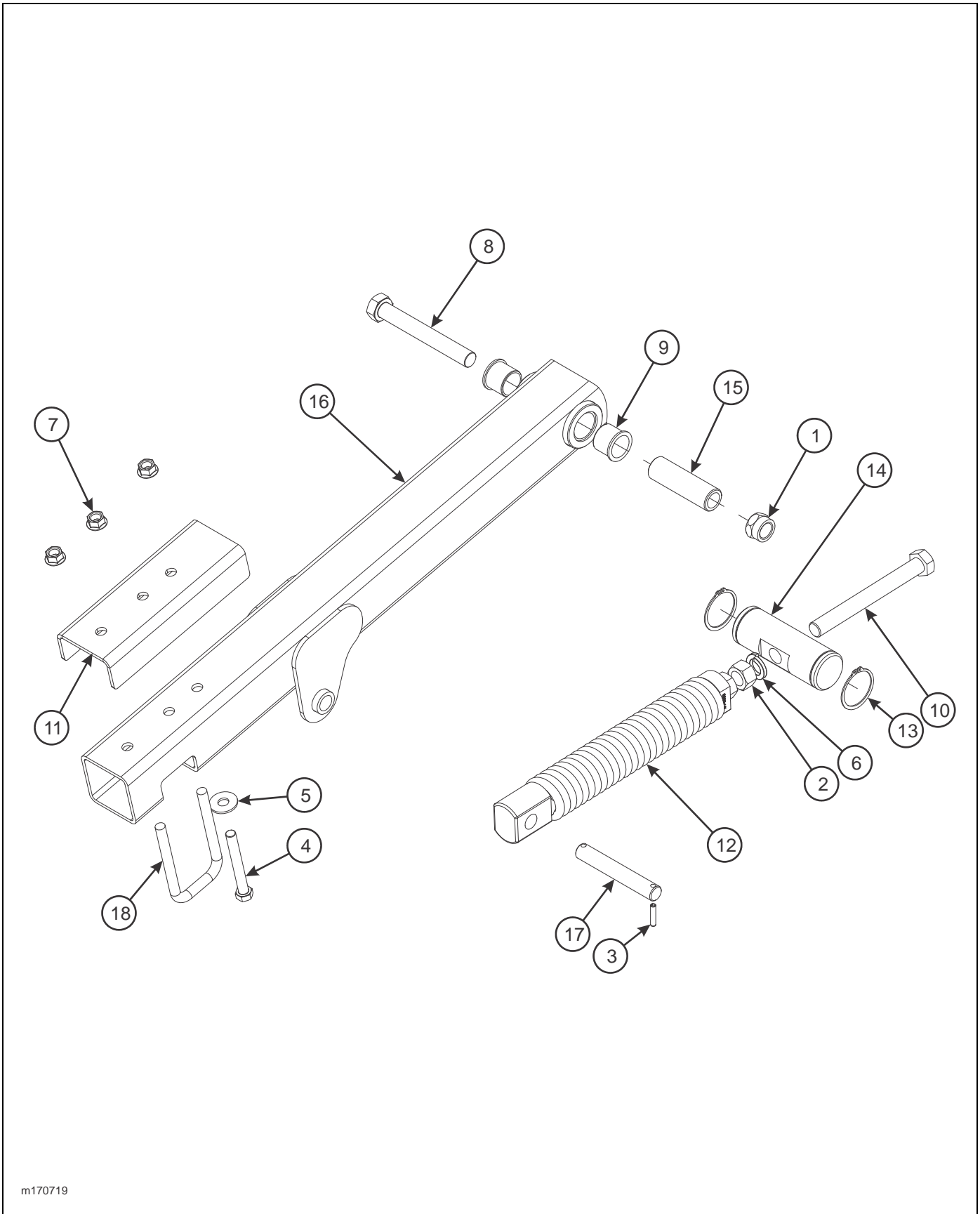


Figure 2-43: Finishing Harrow Assembly

FINISHING HARROW ASSEMBLY

ITEM	PART NO.	DESCRIPTION	QTY.		
	171114	3 ROW COIL TINE HARROW ASSEMBLY (2410-6-24)	*		
	171127	3 ROW COIL TINE HARROW ASSEMBLY (2410-7-24)		*	
	170736	3 ROW COIL TINE HARROW ASSEMBLY (2410-9-24)			*
1	164407	HARROW ASSEMBLY (SEE PAGE 2-79)	--	1	2
2	170719	HARROW ARM ASSEMBLY, COIL TINE (SEE PAGE 2-77)	--	4	4
3	170871	4 TINE HARROW ASSEMBLY, RH (SEE PAGE 2-79)	--	1	--
4	170721	4 TINE HARROW ASSEMBLY, LH (SEE PAGE 2-79)	1	--	--



m170719

Figure 2-44: Coil Tine Harrow Arm Assembly

COIL TINE HARROW ARM ASSEMBLY

ITEM	PART NO.	DESCRIPTION	QTY.
	170719	HARROW ARM ASSEMBLY, COIL TINE	
1	1-512-010005-19	NUT, HEX LOCK 1-8 GRB	1
2	1-512-010007-14	NUT, HEX 1-8 GRB	2
3	1-647-010004236	ROLL PIN, SLOTTED 5/16 X 1-1/2	2
4	1-654-010059-15	SCREW, HEX HEAD CAP 5/8-11 X5 GR5	1
5	1-861-010032-19	WASHER, FLAT 5/8W	1
6	1-861-010034-21	WASHER, SPLIT LOCK 1"	1
7	100827	NUT, FLANGE HEAD SERRATED 5/8-11	3
8	100856	SCREW, HEX HEAD CAP 1-8 X 7-1/2 GR5	1
9	140599	BEARING, FLANGE 1-1/2	2
10	152210	BOLT, SPRING ADJ 1 X 9	1
11	158080	PLATE, HARROW STIFFENER	1
12	158795	SPRING ASSEMBLY, 17"	1
13	158896	SNAP RING, 2-1/2 SHAFT	2
14	160199	PIN, ADJUSTMENT 7-1/4 W/ SNAP RING	1
15	170852	BUSHING, PIVOT 4-1/4	1
16	170858	ARM, TINE HARROW	1
17	172526	PIN, PIVOT	1
18	8-102-010043	U-BOLT, SPRING CLAMP	1

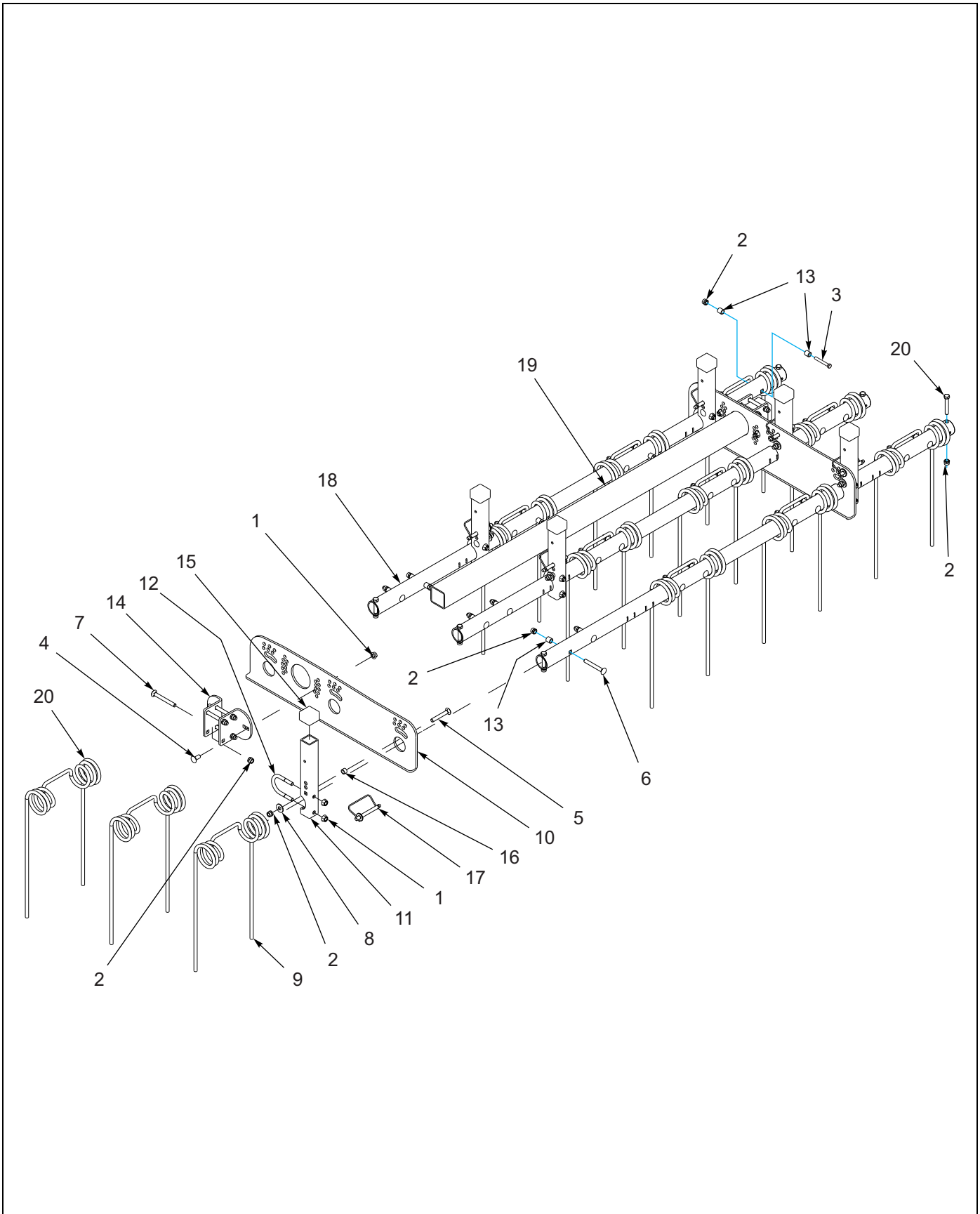
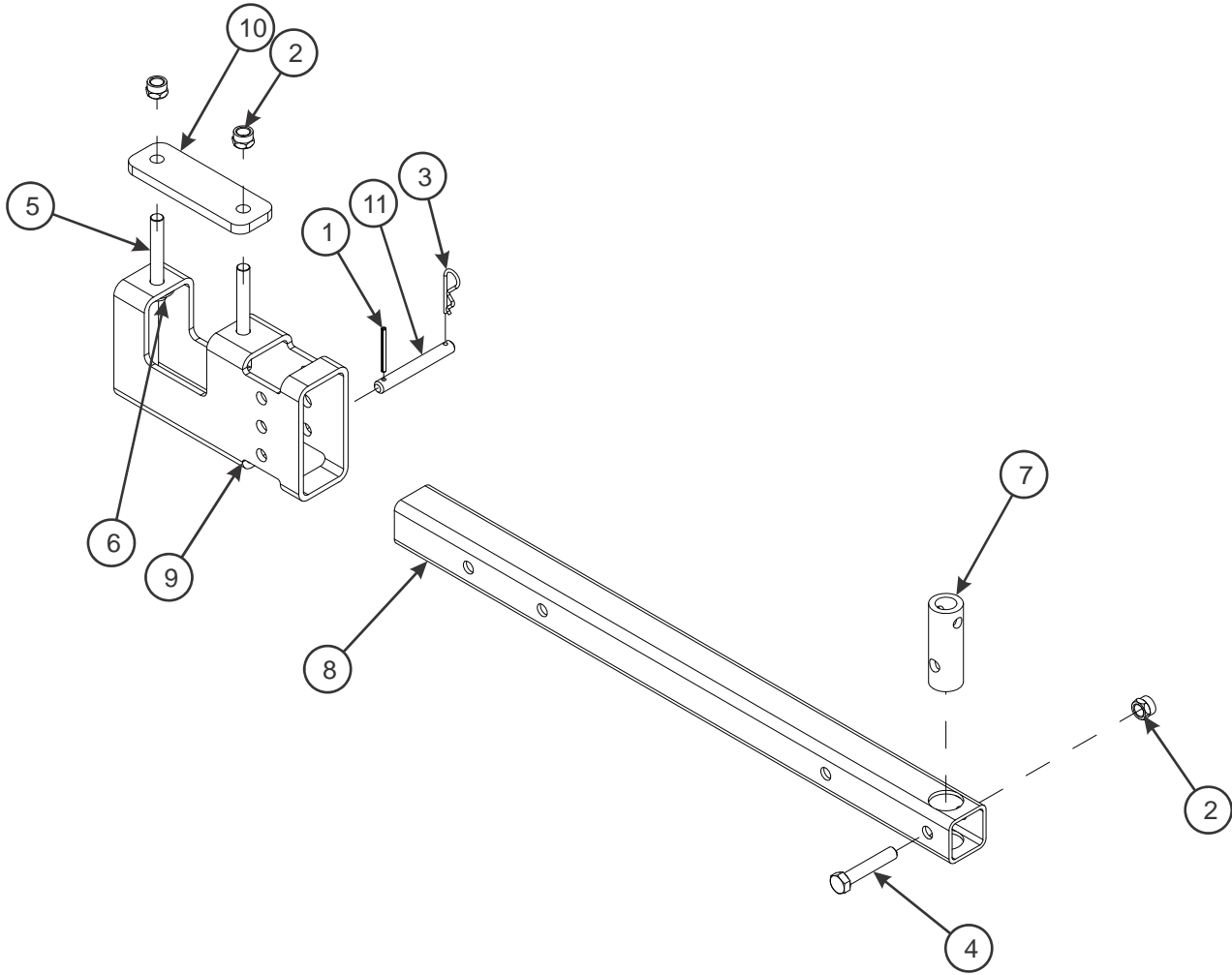


Figure 2-45: 3 Row Coil Tine Harrow Assembly

3 ROW COIL TINE HARROW ASSEMBLY

ITEM	PART NO.	DESCRIPTION	QTY.		
	164407	HARROW ASSEMBLY, 5 TINE	*		
	170871	HARROW ASSEMBLY, 4 TINE RH		*	
	170721	HARROW ASSEMBLY, 4 TINE LH			*
1	1-510-010003-09	NUT, FLANGE HEAD SERRATED 1/2-13	24	16	16
2	1-512-010005-09	NUT, HEX LOCK 1/2-13 GRB	42	44	44
3	1-654-010055-14	SCREW, HEX HEAD CAP 1/2-13 X 4-1/2 GR5	5	4	4
4	1-654-010070-02	SCREW, RD HEAD SQ NECK 1/2-13 X 1-1/4	4	4	4
5	1-654-010070-11	SCREW, RD HEAD SQ NECK 1/2-13 X 3-1/2	6	6	6
6	1-654-010070-13	SCREW, RD HEAD SQ NECK 1/2-13 X 4	25	20	20
7	1-654-010070-14	SCREW, RD HEAD SQ NECK 1/2-13 X 4-1/2	8	8	8
8	1-861-010032-15	WASHER, FLAT 1/2 W	6	6	6
9	164900	TINE, HARROW SPRING	15	12	12
10	154993	PLATE, GANG BAR	2	2	2
11	154994	TUBE, ANGLE ADJUST	6	6	6
12	154995	U-BOLT, 1/2	6	6	6
13	154997	BUSHING, TINE RETAINER	35	28	28
14	154998	PLATE, ANGLE ADJUSTMENT	4	4	4
15	155927	CAP, TUBE 1.95 X 1.5 BLACK	6	6	6
16	155956	BUSHING, ANGLE ADJUSTMENT	6	6	6
17	155971	PIN, HARROW ADJUSTMENT	6	6	6
18	195244	GANG BAR, 5 TINE 111" (164407)	3	--	--
18	195243	GANG BAR, 4 TINE 87-1/4" (170871 & 170721)	--	3	3
19	156778	TUBE, RIDE BAR 90.5" (164407)	1	--	--
19	170870	TUBE, SQ. 3 X 3/16 X 70 (170871 & 170721)	--	1	1
20	1-654-010055-09	SCREW,HX CP,1/2-13UNCX3 GR5	6	6	6



m172515

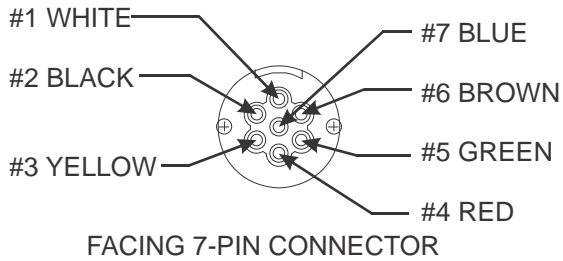
Figure 2-46: Rear Jack Assembly

REAR JACK ASSEMBLY

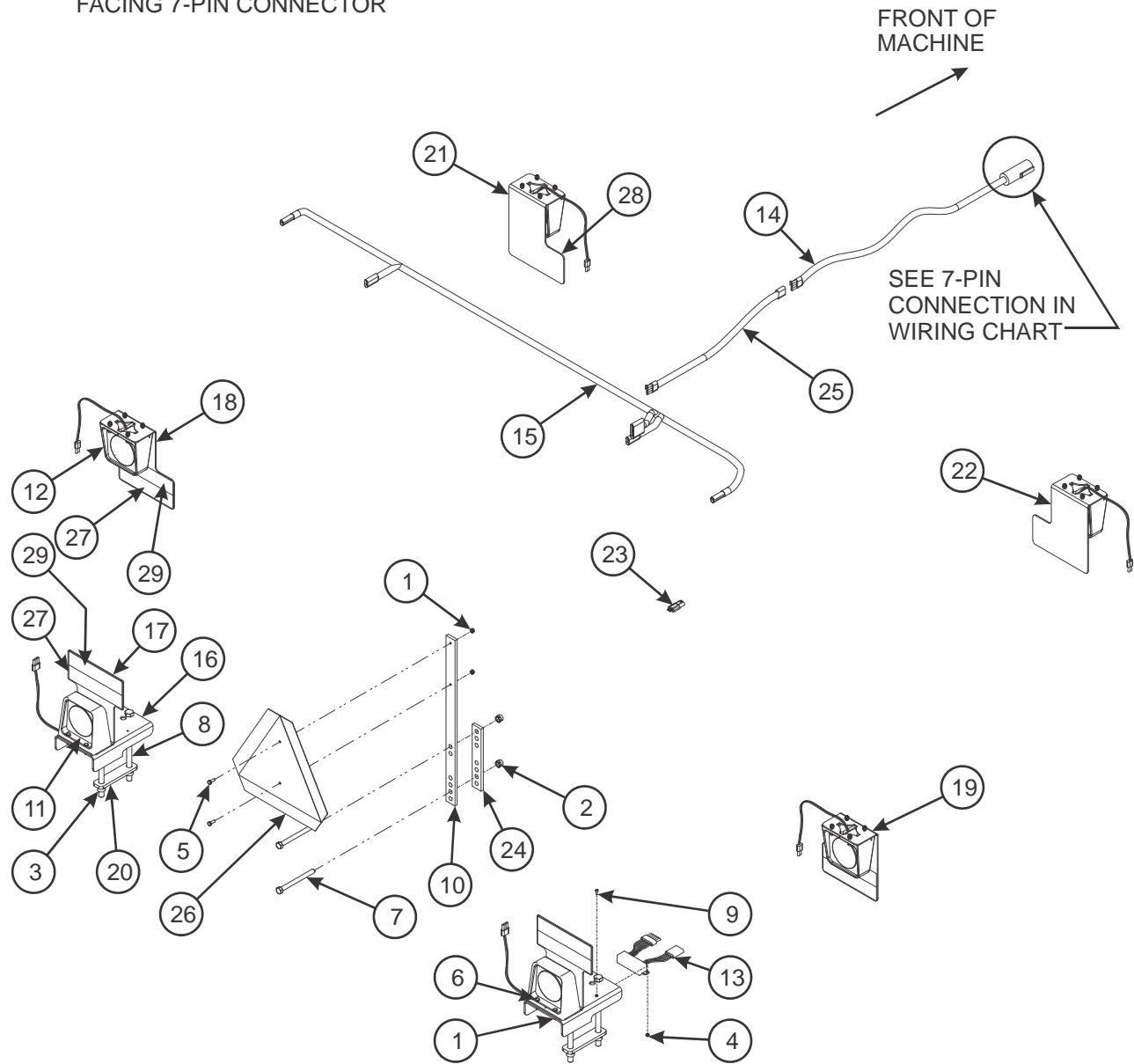
ITEM	PART NO.	DESCRIPTION	QTY.
	172515	REAR JACK ASSEMBLY	
1	0600-250-03000	ROLL PIN, SLOTTED 1/4 X 3	1
2	1-512-010005-15	NUT, HEX LOCK 3/4-10 GRB	3
3	1-557-010013	PIN, HAIR 3/16	1
4	1-654-010061-13	SCREW, HEX HEAD CAP 3/4-10 X 4 GR5	1
5	1-654-010061-15	SCREW, HEX HEAD CAP 3/4-10 X 5 GR5	2
6	1-861-010032-21	WASHER, FLAT 3/4W	2
7	156957	TUBE, JACK MOUNT	1
8	160602	SQ. TUBE, REAR JACK	1
9	172514	MOUNT, REAR JACK	1
10	172516	PLATE, REAR JACK MOUNT	1
11	2-557-010409	PIN, WING LOCK	1

ILLUSTRATED PARTS LIST

NOTE: IF REPAIRING OR REPLACING THE 7 PIN CONNECTOR, MATCH THE LETTERS AT THE BACK OF THE HARNESS TO THE 7 PIN CONNECTOR AS SHOWN. THE COLOR OF THE WIRE JACKET DOES NOT NECESSARILY MATCH THE COLOR MARKING OF THE 7 PIN CONNECTOR.



WIRING CHART	
7-PIN CONNECTION	4-PIN CONNECTION
GRND. 1	D
YEL. 3	B
GRN. 5	A
BRN. 6	C



m171139

Figure 2-47: Electrical Assembly (Prior to August, 2013) (2410-7-24)

ELECTRICAL ASSEMBLY (PRIOR TO AUGUST, 2013) (2410-7-24)

ITEM	PART NO.	DESCRIPTION	QTY.
	171139	LIGHT KIT	
1	1-512-010005-01	NUT, HEX LOCK 1/4-20 GRB	26
2	1-512-010005-09	NUT, HEX LOCK 1/2-13 GRB	2
3	1-512-010005-13	NUT, HEX LOCK 5/8-11 GRB	4
4	1-512-010007-02	NUT, HEX 8-32	2
5	1-654-010047-04	SCREW, HEX HEAD CAP 1/4-20 X 3/4 GR5	2
6	1-654-010047-07	SCREW, HEX HEAD CAP 1/4-20 X 1-1/4 GR5	24
7	1-654-010055-16	SCREW, HEX HEAD CAP 1/2-13 X 5-1/2 GR5	2
8	1-654-010059-24	SCREW, HEX HEAD CAP 5/8-11 X 9-1/2 GR5	4
9	107-0762	SCREW, SLOT PAN HEAD #8-32 X 1/2	2
10	108830	BRACKET MOUNTING, SMV	1
11	141576	LAMP, RED W/ BRAKE	2
12	141577	LAMP, AMBER SINGLE	4
13	141578	LIGHTING MODULE, ENHANCED	1
14	141579	HARNESS, MAIN WARNING LIGHTS	1
15	141580	HARNESS, REAR WARNING LIGHTS	1
16	164138	MOUNT, LIGHT TAIL	2
17	164140	REFLECTOR ASSEMBLY (INCL ITEMS 27 & 29)	2
18	170781	REFLECTOR ASSEMBLY (INCL ITEMS 27 & 29)	2
19	170782	REFLECTOR ASSEMBLY (INCL ITEMS 27 & 29)	2
20	170813	BRACKET, LIGHT MOUNT	2
21	171406	REFLECTOR ASSEMBLY, YELLOW (INCL ITEMS 28)	1
22	171407	REFLECTOR ASSEMBLY, YELLOW (INCL ITEMS 28)	1
23	171408	WIRING HARNESS, SPLITTER	2
24	2-054-010461	BAR WARNING LIGHTS	1
25	2-368-010273	HARNESS, 34" EXTENSION	3
26	70260977	SMV EMBLEM	1
27	528933	REFLECTOR, RED 2 X 9	2
28	528934	REFLECTOR, YELLOW 2 X 9	2
29	528938	STRIPE, ORANGE 2 X 9	2

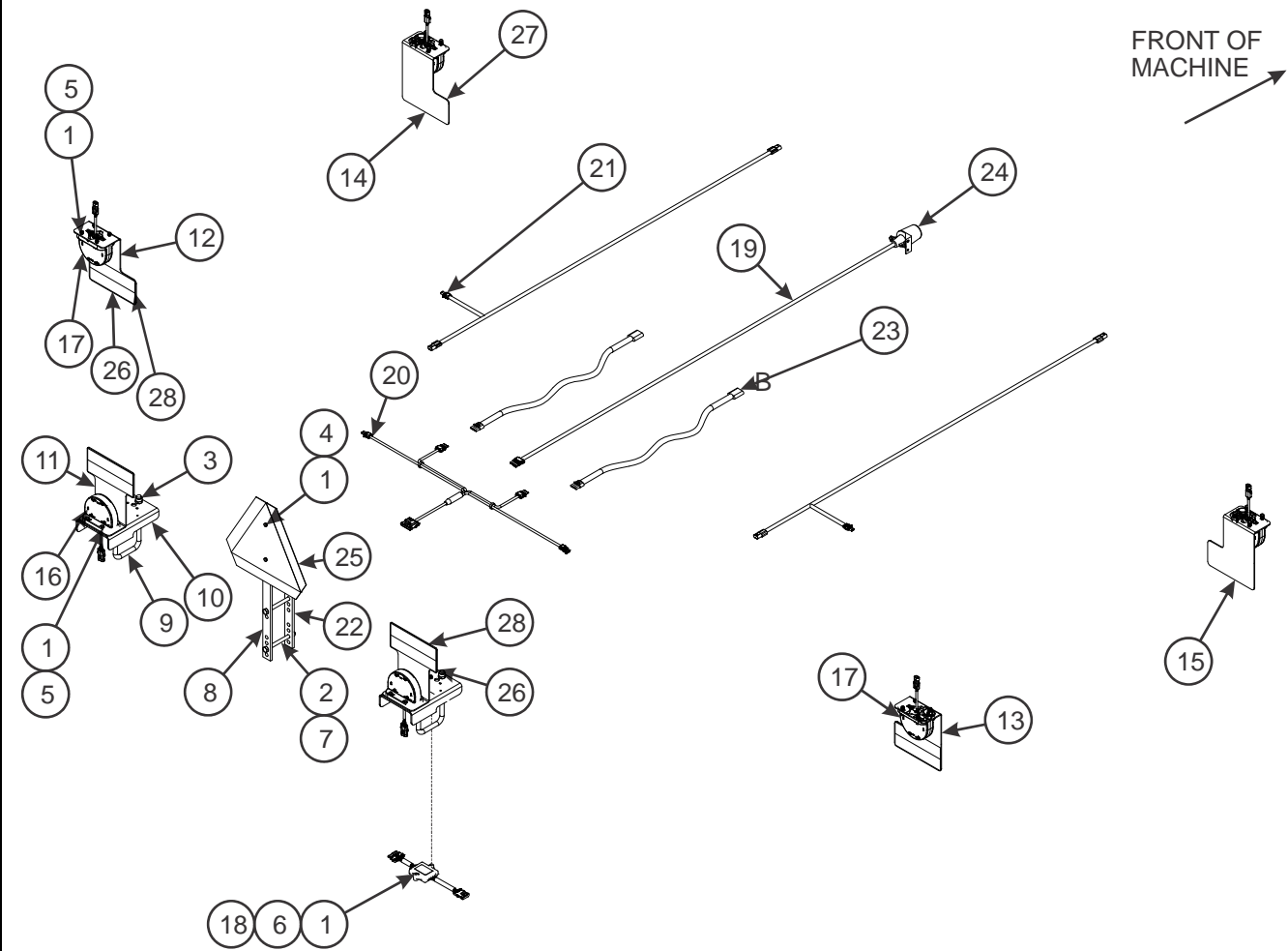
ILLUSTRATED PARTS LIST

WIRE DESIGNATIONS FOR MAIN HARNESS 19

7-PIN CONN	4-PIN TOWER	CIRCUIT	WIRE COLOR
1	D	GROUND	GROUND
2		WORK LAMPS	BLACK
3	B	LEFT FLASHING & TURN	YELLOW
4		STOP LAMPS	RED
5	A	RIGHT FLASHING & TURN	GREEN
6	C	TAIL LAMPS	BROWN
7		SWITCHED POWER (12V)	BLUE

WIRE DESIGNATIONS FOR REAR HARNESS 20

	1 2-PIN TOWER	2 3-PIN TOWER	3 6-PIN SHROUD	4 3-PIN TOWER	5 2-PIN TOWER
BLACK LEFT TURN			A	C	
WHITE GROUND	A	A	B	A	A
BROWN TAIL LIGHT		B	C	B	
YELLOW LEFT TURN			D		B
GREEN RIGHT TURN	B		E		
RED RIGHT TURN		C	F		



m177209

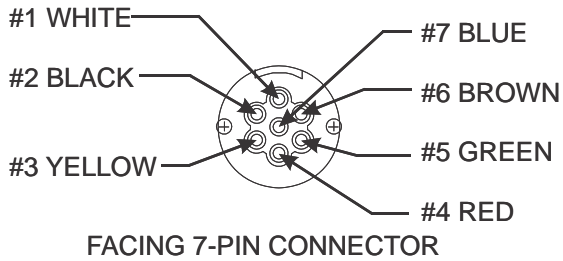
Figure 2-48: Electrical Assembly (After August, 2013) (2410-7-24)

ELECTRICAL ASSEMBLY W/ LED LIGHTS (AFTER AUGUST, 2013) (2410-7-24)

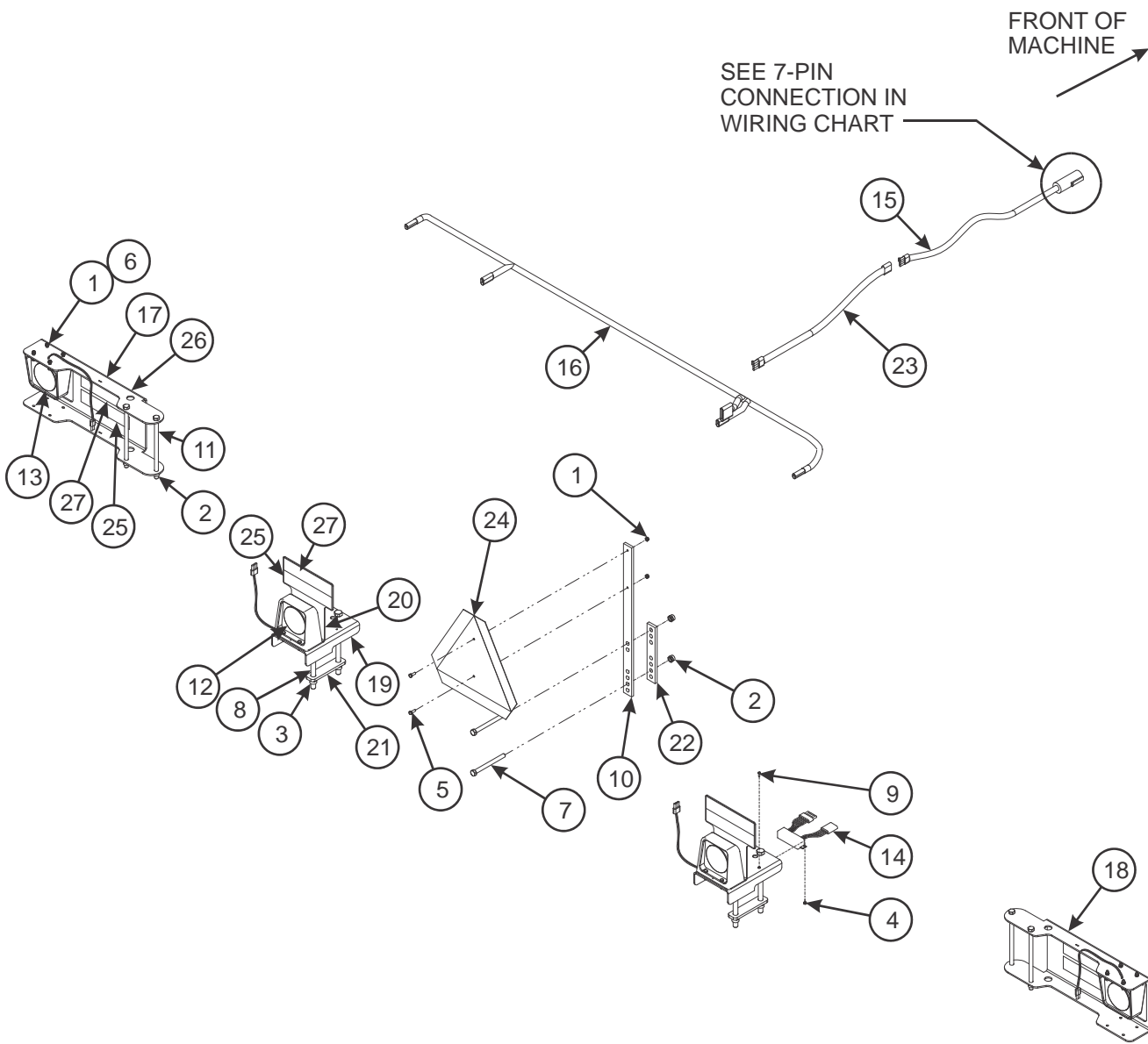
ITEM	PART NO.	DESCRIPTION	QTY.
	177209	LIGHT KIT	
1	1-512-010005-01	NUT, HEX LOCK 1/4-20 GRB	18
2	1-512-010005-09	NUT, HEX LOCK 1/2-13 GRB	6
3	1-512-010005-13	NUT, HEX LOCK 5/8-11 GRB	4
4	1-654-010047-04	SCREW, HEX HEAD CAP 1/4-20 X 3/4 GR5	2
5	1-654-010047-07	SCREW, HEX HEAD CAP 1/4-20 X 1-1/4 GR5	8
6	1-654-010047-08	SCREW, HEX HEAD CAP 1/4-20 X 1-1/2 GR5	10
7	1-654-010055-16	SCREW, HEX HEAD CAP 1/2-13 X 5-1/2 GR5	2
8	108830	BRACKET MOUNTING, SMV	1
9	157648	U-BOLT, HYDRAULIC MOUNT	2
10	164138	MOUNT, TAIL LIGHT	2
11	164140	REFLECTOR ASSEMBLY (INCL ITEMS 26 & 28)	2
12	170781	REFLECTOR ASSEMBLY (INCL ITEMS 26 & 28)	2
13	170782	REFLECTOR ASSEMBLY (INCL ITEMS 26 & 28)	2
14	171406	REFLECTOR ASSEMBLY, YELLOW (INCL ITEMS 27)	1
15	171407	REFLECTOR ASSEMBLY, YELLOW (INCL ITEMS 27)	1
16	174435	LAMP, AG RED SINGLE LED	2
17	174436	LAMP, AG AMBER SINGLE LED	2
18	174437	MODULE, AG FLASHER CONTROL	1
19	174438	HARNESS, MAIN WARNING LIGHTS	1
20	174439	HARNESS, REAR WARNING LIGHTS	1
21	177207	WIRING HARNESS, SPLITTER	2
22	2-054-010461	BAR WARNING LIGHTS	1
23	2-368-010273	HARNESS, 34" EXTENSION	3
24	2-368-010287	HARNESS, STOR-AWAY	1
25	70260977	SMV EMBLEM	1
26	528933	REFLECTOR, RED 2 X 9	2
27	528934	REFLECTOR, YELLOW 2 X 9	2
28	528938	STRIPE, ORANGE 2 X 9	2

ILLUSTRATED PARTS LIST

NOTE: IF REPAIRING OR REPLACING THE 7 PIN CONNECTOR, MATCH THE LETTERS AT THE BACK OF THE HARNESS TO THE 7 PIN CONNECTOR AS SHOWN. THE COLOR OF THE WIRE JACKET DOES NOT NECESSARILY MATCH THE COLOR MARKING OF THE 7 PIN CONNECTOR.



WIRING CHART	
7-PIN CONNECTION	4-PIN CONNECTION
GRND. 1	D
YEL. 3	B
GRN. 5	A
BRN. 6	C



m171135

Figure 2-49: Electrical Assembly (Prior to August, 2013) (2410-6-24 & 2410-9-24)

ELECTRICAL ASSEMBLY (PRIOR TO AUGUST, 2013) (2410-6-24 & 2410-9-24)

ITEM	PART NO.	DESCRIPTION	QTY.
	171135	LIGHT KIT	
1	1-512-010005-01	NUT, HEX LOCK 1/4-20 GRB	18
2	1-512-010005-09	NUT, HEX LOCK 1/2-13 GRB	6
3	1-512-010005-13	NUT, HEX LOCK 5/8-11 GRB	4
4	1-512-010007-02	NUT, HEX 8-32	2
5	1-654-010047-04	SCREW, HEX HEAD CAP 1/4-20 X 3/4 GR5	2
6	1-654-010047-07	SCREW, HEX HEAD CAP 1/4-20 X 1-1/4 GR5	16
7	1-654-010055-16	SCREW, HEX HEAD CAP 1/2-13 X 5-1/2 GR5	2
8	1-654-010059-24	SCREW, HEX HEAD CAP 5/8-11 X 9-1/2 GR5	4
9	107-0762	SCREW, SLOT PAN HEAD #8-32 X 1/2	2
10	108830	BRACKET MOUNTING, SMV	1
11	126368	SCREW, HEX HEAD CAP 1/2-13 X 9-1/2 GR5	4
12	141576	LAMP, RED W/ BRAKE	2
13	141577	LAMP, AMBER SINGLE	2
14	141578	LIGHTING MODULE, ENHANCED	1
15	141579	HARNESS, MAIN WARNING LIGHTS	1
16	141580	HARNESS, REAR WARNING LIGHTS	1
17	157556	BRACKET, LIGHT W/ REFLECTOR LH (INCL ITEMS 25 - 27)	1
18	157557	BRACKET, LIGHT W/ REFLECTOR RH (INCL ITEMS 25 - 27)	1
19	164138	MOUNT, LIGHT TAIL	2
20	164140	REFLECTOR ASSEMBLY (INCL ITEMS 25 & 27)	2
21	170813	BRACKET, LIGHT MOUNT	2
22	2-054-010461	BAR WARNING LIGHTS	1
23	2-368-010273	HARNESS, 34" EXTENSION	3
24	70260977	SMV EMBLEM	1
25	528933	REFLECTOR, RED 2 X 9	2
26	528934	REFLECTOR, YELLOW 2 X 9	2
27	528938	STRIPE, ORANGE 2 X 9	2

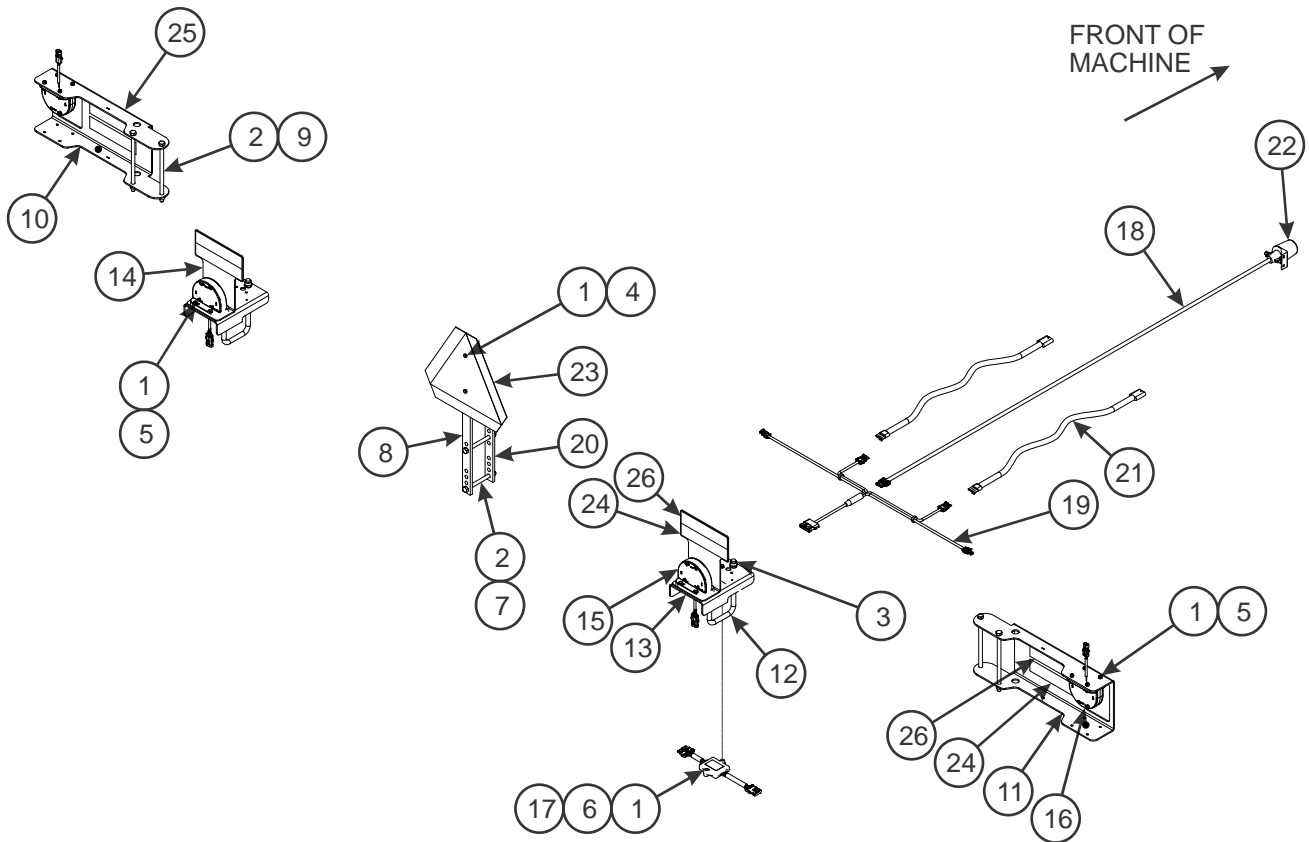
ILLUSTRATED PARTS LIST

WIRE DESIGNATIONS FOR MAIN HARNESS (18)

7-PIN CONN	4-PIN TOWER	CIRCUIT	WIRE COLOR
1	D	GROUND	GROUND
2		WORK LAMPS	BLACK
3	B	LEFT FLASHING & TURN	YELLOW
4		STOP LAMPS	RED
5	A	RIGHT FLASHING & TURN	GREEN
6	C	TAIL LAMPS	BROWN
7		SWITCHED POWER (12V)	BLUE

WIRE DESIGNATIONS FOR REAR HARNESS (19)

	1 2-PIN TOWER	2 3-PIN TOWER	3 6-PIN SHROUD	4 3-PIN TOWER	5 2-PIN TOWER
BLACK LEFT TURN			A	C	
WHITE GROUND	A	A	B	A	A
BROWN TAIL LIGHT		B	C	B	
YELLOW LEFT TURN			D		B
GREEN RIGHT TURN	B		E		
RED RIGHT TURN		C	F		



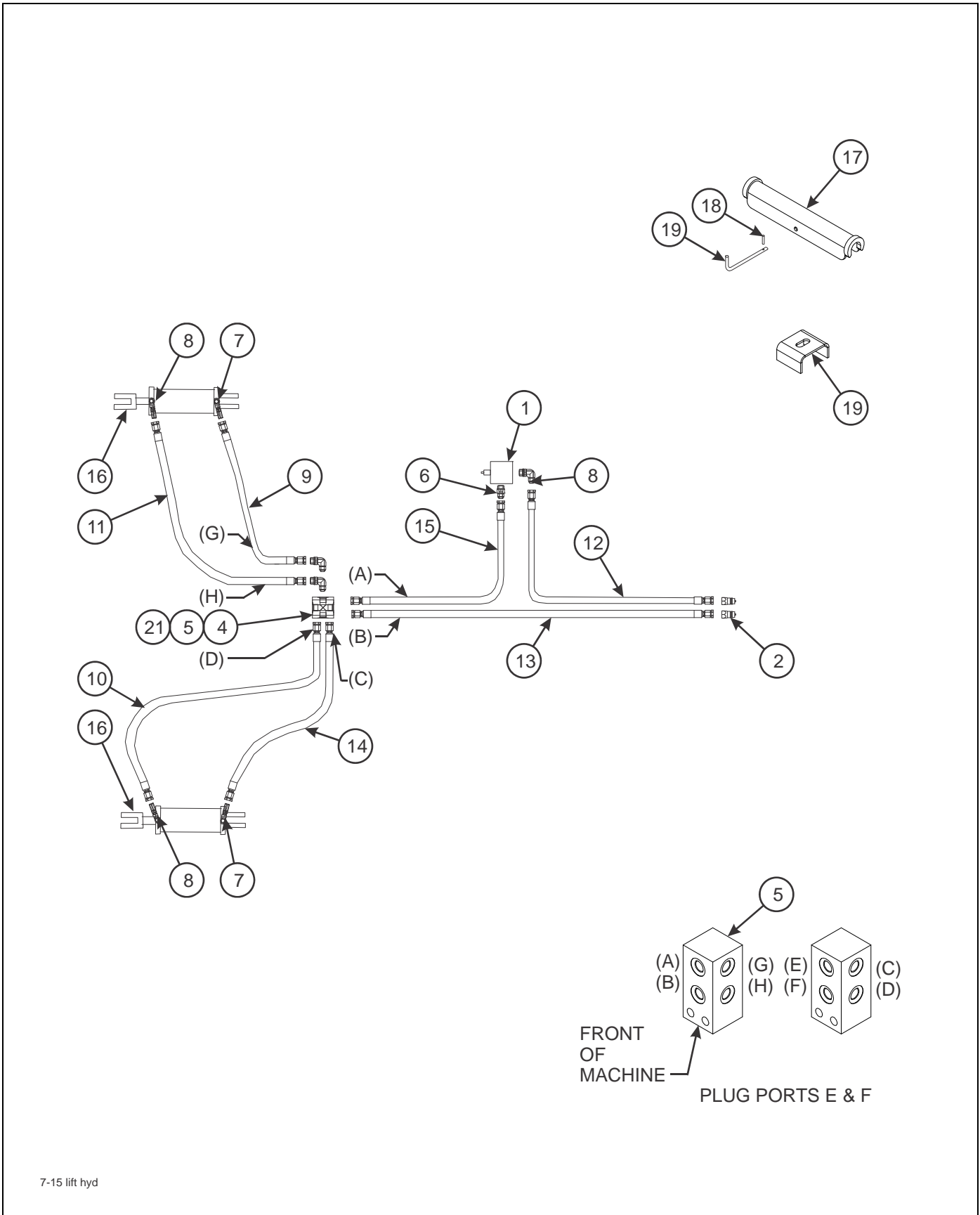
m177208

Figure 2-50: Electrical Assembly (After August, 2013) (2410-6-24 & 2410-9-24)

ELECTRICAL ASSEMBLY W/ LED LIGHTS (AFTER AUGUST, 2013) (2410-6-24 & 2410-9-24)

ITEM	PART NO.	DESCRIPTION	QTY.
	177208	LIGHT KIT	
1	1-512-010005-01	NUT, HEX LOCK 1/4-20 GRB	18
2	1-512-010005-09	NUT, HEX LOCK 1/2-13 GRB	6
3	1-512-010005-13	NUT, HEX LOCK 5/8-11 GRB	4
4	1-654-010047-04	SCREW, HEX HEAD CAP 1/4-20 X 3/4 GR5	2
5	1-654-010047-07	SCREW, HEX HEAD CAP 1/4-20 X 1-1/4 GR5	8
6	1-654-010047-08	SCREW, HEX HEAD CAP 1/4-20 X 1-1/2 GR5	10
7	1-654-010055-16	SCREW, HEX HEAD CAP 1/2-13 X 5-1/2 GR5	2
8	108830	BRACKET MOUNTING, SMV	1
9	126368	SCREW, HEX HEAD CAP 1/2-13 X 9-1/2 GR5	4
10	157556	BRACKET, LIGHT W/ REFLECTOR LH (INCL ITEMS 24 - 26)	1
11	157557	BRACKET, LIGHT W/ REFLECTOR RH (INCL ITEMS 24 - 26)	1
12	157648	U-BOLT, HYDRAULIC MOUNT	2
13	164138	MOUNT, TAIL LIGHT	2
14	164140	REFLECTOR ASSEMBLY (INCL ITEMS 24 & 26)	2
15	174435	LAMP, AG RED SINGLE LED	2
16	174436	LAMP, AG AMBER SINGLE LED	2
17	174437	MODULE, AG FLASHER CONTROL	1
18	174438	HARNESS, MAIN WARNING LIGHTS	1
19	174439	HARNESS, REAR WARNING LIGHTS	1
20	2-054-010461	BAR WARNING LIGHTS	1
21	2-368-010273	HARNESS, 34" EXTENSION	3
22	2-368-010287	HARNESS, STOR-AWAY	1
23	70260977	SMV EMBLEM	1
24	528933	REFLECTOR, RED 2 X 9	2
25	528934	REFLECTOR, YELLOW 2 X 9	2
26	528938	STRIPE, ORANGE 2 X 9	2

ILLUSTRATED PARTS LIST



7-15 lift hyd

Figure 2-51: Hydraulic Assembly (2410-6-24)

HYDRAULIC ASSEMBLY (2410-6-24)

ITEM	PART NO.	DESCRIPTION	QTY.
	171398	HYDRAULIC KIT (INCL. ITEMS 1-8)	
	172065	HOSE KIT (INCL. ITEMS 9-15)	
1	140693	VALVE, LIMIT	1
	142656	LIMIT VALVE PARTS KIT	1
2	141828	COUPLER, MALE 3/4-16	2
3	155528	HOSE WRAP, BLUE 1" ID X 8"	1
4	1-654-010055-11	SCREW, HEX HEAD CAP 1/2-13 X 3-1/2 GR5	2
5	2-474-010022	MANIFOLD, HYDRAULIC ASSEMBLY 8 PORT	1
6	202702-8-8S	ADAPTER	5
7	2061-8-8S	ADAPTER, 45	2
8	2062-8-8S	ADAPTER, 90	5
9	117259	HOSE ASSEMBLY 3/8 X 48	1
10	1413183	HOSE ASSEMBLY 3/8 X 103.25	1
11	153843	HOSE ASSEMBLY 3/8 X 67	1
12	156964	HOSE ASSEMBLY 1/2 X 204	1
13	168892	HOSE ASSEMBLY 1/2 X 271	1
14	71508987	HOSE ASSEMBLY 3/8 X 86	1
15	71600214	HOSE ASSEMBLY 1/2 X 96	1
16	145207	CYLINDER, HYDRAULIC 3-1/2 X 16 (SEE PAGE 2-94)	REF
17	146828	LOCKOUT, 1-1/2 X 16	REF
18	1-557-010403	HAIRPIN, 1/8	REF
19	104358	L PIN, CYL STOP	REF
20	2-181-010001	HOSE CLAMP	2
21	1-512-010005-09	NUT, HEX LOCK 1/2-13 GRB	2

ILLUSTRATED PARTS LIST

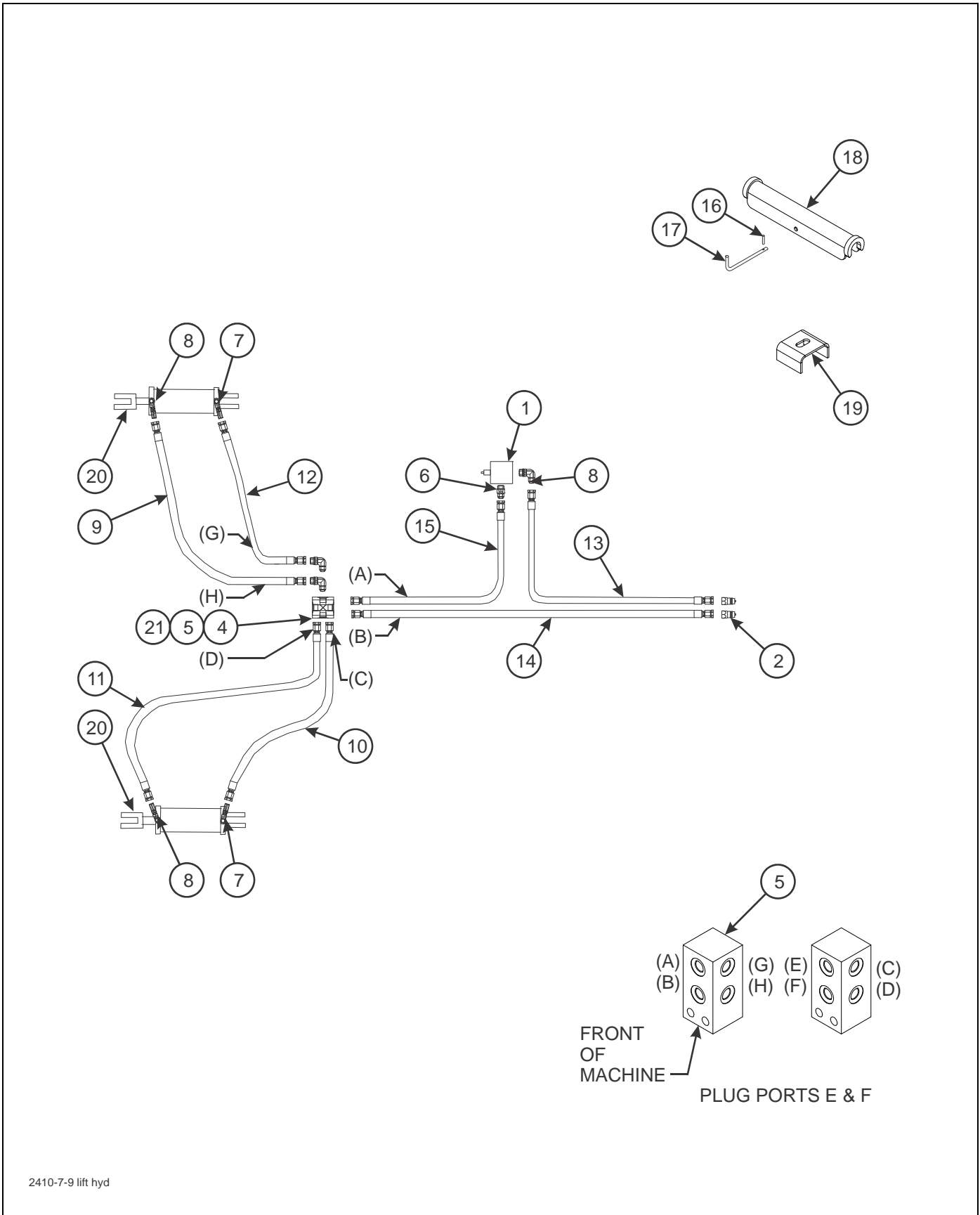


Figure 2-52: Hydraulic Assembly (2410-7-24 & 2410-9-24)

HYDRAULIC ASSEMBLY (2410-7-24 & 2410-9-24)

ITEM	PART NO.	DESCRIPTION	QTY.
	171138	HYDRAULIC KIT (INCL. ITEMS 1-8)	
	172069	HOSE KIT (INCL. ITEMS 9-15)	
1	140693	VALVE, LIMIT	1
	142656	LIMIT VALVE PARTS KIT	1
2	141828	COUPLER, MALE 3/4-16	2
3	155528	HOSE WRAP, BLUE 1" ID X 8"	1
4	1-654-010055-11	SCREW, HEX HEAD CAP 1/2-13 X 3-1/2 GR5	2
5	2-474-010022	MANIFOLD, HYDRAULIC ASSEMBLY 8 PORT	1
6	202702-8-8S	ADAPTER	5
7	2061-8-8S	ADAPTER, 45	2
8	2062-8-8S	ADAPTER, 90	5
9	1-397-010369054	HOSE ASSEMBLY 3/8 X 54	1
10	116490	HOSE ASSEMBLY 3/8 X 78	1
11	116491	HOSE ASSEMBLY 3/8 X 96	1
12	147584	HOSE ASSEMBLY, 3/8 X 40	1
13	156964	HOSE ASSEMBLY, 1/2 X 204	2
14	168892	HOSE ASSEMBLY 1/2 X 271	1
15	71600214	HOSE ASSEMBLY 1/2 X 96	1
16	1-557-010403	HAIRPIN, 1/8	REF
17	104358	L PIN, CYL STOP	REF
18	146828	LOCKOUT, 1-1/2 X 16	REF
19	2-181-010001	HOSE CLAMP	2
20	144322	CYLINDER, HYDRAULIC 4 X 16 (SEE PAGE 2-95)	REF
21	1-512-010005-09	NUT, HEX LOCK 1/2-13 GRB	2

ILLUSTRATED PARTS LIST

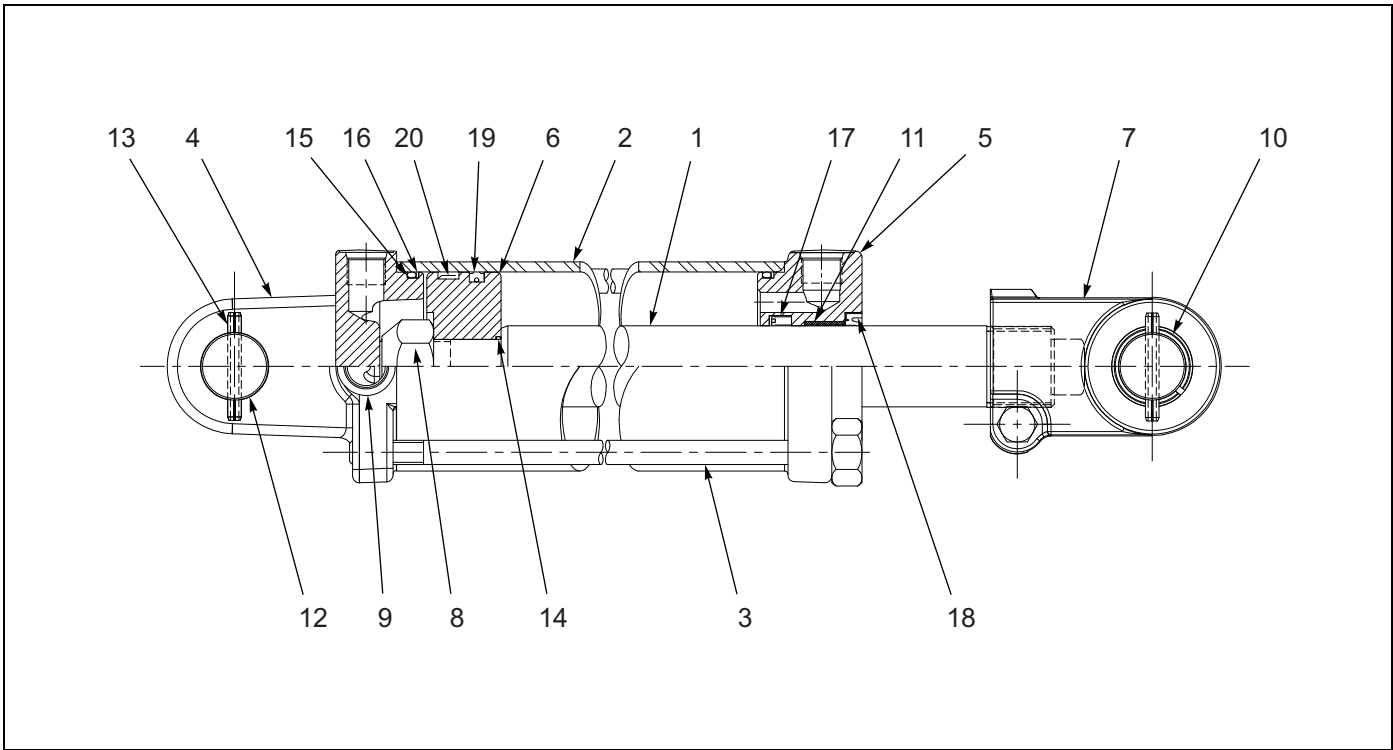


Figure 2-53: Hydraulic Cylinder - 3-1/2" X 16"

Hydraulic Cylinder - 3-1/2" X 16"

ITEM	PART NO.	DESCRIPTION	QTY.
	145207	CYLINDER, 3-1/2X16, 1-1/2 ROD	
1	147749	PISTON ROD	1
2	147750	TUBE	1
3	147751	TIEROD ASSEMBLY	4
4	147752	BUTT CLEVIS	1
5	147753	GLAND	1
6	147754	PISTON	1
7	137304	CLEVIS ASSEMBLY	1
8	220000210	LOCKNUT	1
9	200300040	PORT PLUG	3
10	135912	BUSHING	2
11	147757	DX BUSHING	1
12	147755	CLEVIS PIN	2
13	111789	ROLL PIN	4
14	----	O-RING	1
15	----	O-RING	2
16	----	BU-WASHER	2
17	----	U-CUP	1
18	----	CANNED WIPER	1
19	----	CROWN SEAL	1
20	----	BEARING RING	1
	147756	SEAL KIT (NOT SHOWN) (INCLUDES ITEMS 14-20)	

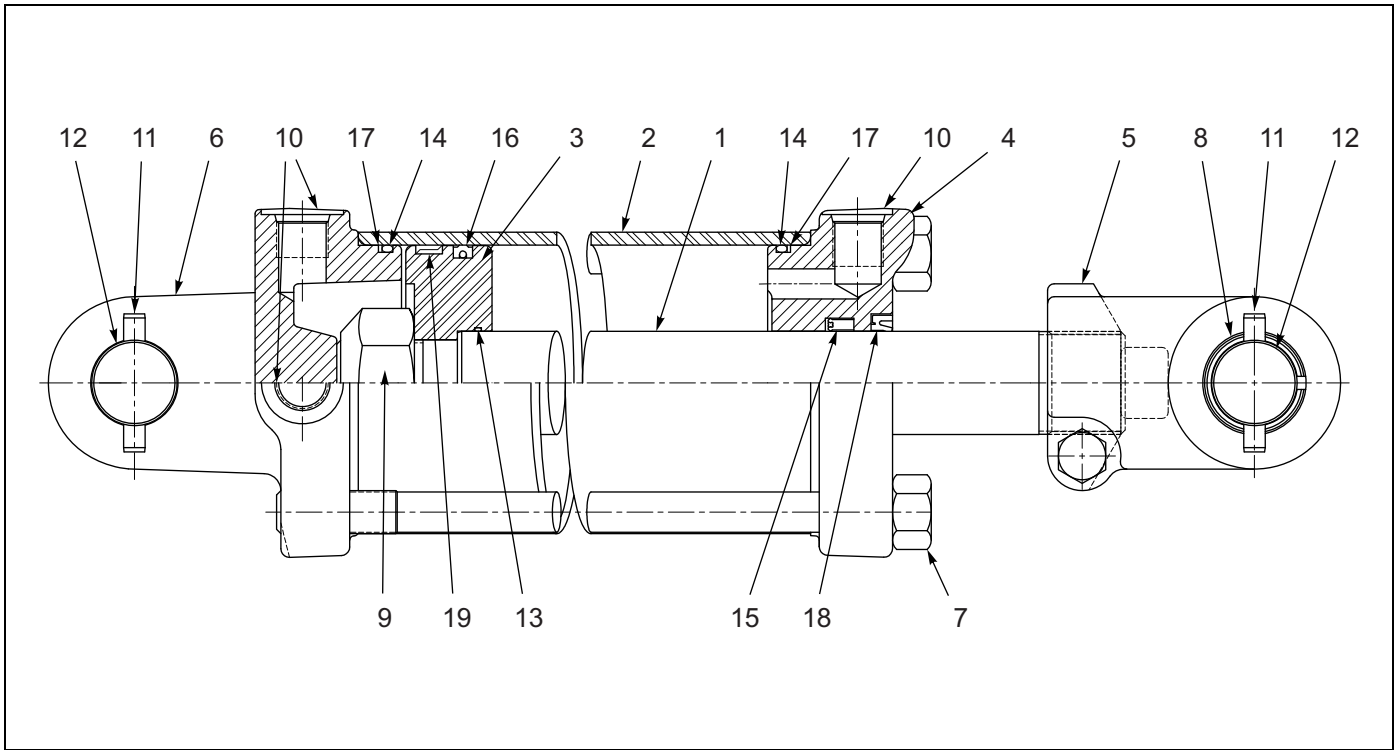


Figure 2-54: Hydraulic Cylinder - 4" X 16"

Hydraulic Cylinder - 4" X 16"

ITEM	PART NO.	DESCRIPTION	QTY.
	144322	CYLINDER, 4 X 16	
1	171604	PISTON ROD	1
2	----	TUBE	1
3	----	PISTON	1
4	142120	GLAND	1
5	137304	CLEVIS ASSEMBLY	1
6	----	BUTT CLEVIS	1
7	----	TIEROD ASSEMBLY	4
8	----	BUSHING	2
9	----	LOCKNUT	1
10	----	PORT PLUG	3
11	171605	ROLL PIN	4
12	147755	CLEVIS PIN	2
13	----	O-RING	1
14	----	O-RING	2
15	----	U-CUP	1
16	----	CROWN SEAL	1
17	----	BU-WASHER	2
18	----	CANNED WIPER	1
19	----	BEARING RING	1
20	----	DECAL (NOT SHOWN)	1
	154104	SEAL KIT (NOT SHOWN) (INCLUDES ITEMS 13-19)	

ILLUSTRATED PARTS LIST

Marysville
Kansas
66508

LANDOLL

MODEL NUMBER

SERIAL NUMBER

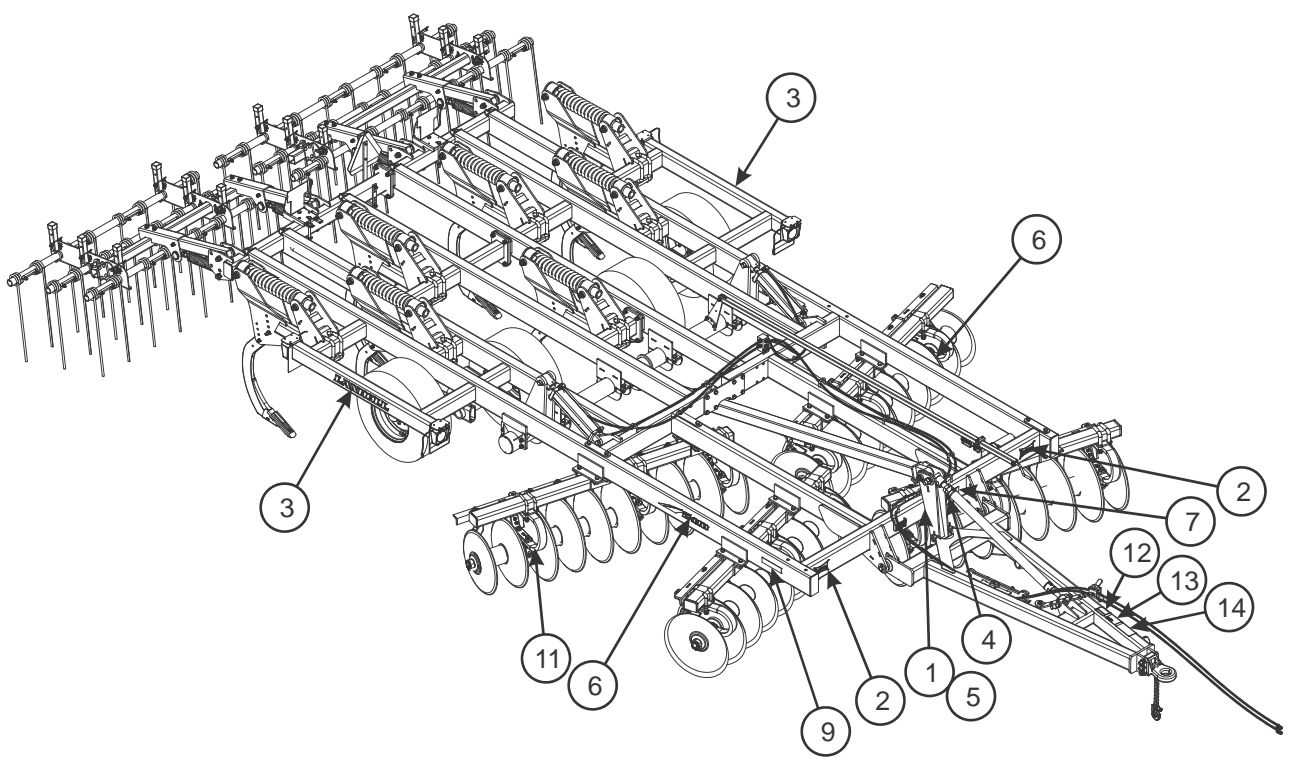
MADE IN U.S.A.


1873-00006

1  2 *LANDOLL* 3




4  5  6

7 




11  12

13

HOSE IDENTIFICATION	
	BLUE - LIFT WHEELS
	YELLOW - WING FOLD
	BLACK - AUXILIARY


 13

12

WARNING	
	WARNING
1. BEFORE OPERATING - STUDY OPERATORS MANUAL, SAFETY MESSAGES AND SAFE OPERATING PROCEDURES. READ SAFETY SIGNS ON THIS MACHINE. 2. TRANSPORT ON PUBLIC ROADS - OBSERVE FEDERAL, STATE AND LOCAL REGULATIONS; DISPLAY SMV EMBLEM; ATTACH PROPER STRENGTH IMPLEMENT SAFETY CHAIN; AND LIMIT MAXIMUM SPEED TO 30mph (32 km/h). 3. LOWER OR BLOCK ALL ELEVATED COMPONENTS BEFORE SERVICING OR LEAVING THIS MACHINE.	

 12

14

DANGER	
	ELECTROCUTION HAZARD
To prevent serious injury or death:	
• Stay away from power lines when transporting, extending or folding implement.	
• Electrocution can occur without contacting power lines.	

 14

2410 decal inst

Figure 2-55: Decal Installation

DECAL INSTALLATION

ITEM	PART NO.	DESCRIPTION	QTY.
1	1-573-010006	PLACARD, NAME	1
2	141259	DECAL, LANDOLL YELLOW	4
3	141260	DECAL, LANDOLL	2
4	144193	DECAL, SIS 20MPH	1
5	156010	RIVET, BLIND156 X 1/2 GRIP	2
6	166571	DECAL, MODEL 2410	2
7	2-573-010198	DECAL MEMBER FEMA	1
8*	528933	REFLECTOR, RED	AR
9*	528934	REFLECTOR, YELLOW	AR
10*	528938	STRIPE, ORANGE	AR
11	2-573-010330-02	DECAL LUBRICATION 10 HOURS	AR
12	8-573-010084	DECAL WARNING BEFORE OPERATING	1
13	155523	DECAL, HOSE IDENTIFICATION	1
14	141597	DECAL, DANGER ELECTROCUTION	1

* SEE PAGES 2-87 AND 2-87 FOR DECAL LOCATIONS

Numerical Index

Numerics

0600-250-03000	2-81	117957	2-49, 2-71, 2-73
100214	2-17	119118	2-9
100808	2-17	122709	2-5, 2-7, 2-20
100825	2-17	122917	2-23
100827	2-49, 2-77	124971	2-28, 2-32, 2-36
100844	2-17	125648	2-43, 2-65
100856	2-49, 2-71, 2-73, 2-77	126108	2-13
101988	2-9	126368	2-87, 2-89
102498	2-15	127712	2-9
102600	2-9, 2-11, 2-13, 2-15	1-298-010001-01	2-18
102601	2-15	1-298-010001-1	2-5, 2-7, 2-17
102604	2-15	135912	2-94
103-0805	2-17	137304	2-94, 2-95
103841	2-17	137943	2-67, 2-69
104358	2-3, 2-5, 2-7, 2-91, 2-93	139347	2-43, 2-45, 2-47, 2-61, 2-63, 2-65
107-0762	2-83, 2-87	1-397-010369054	2-93
1-076-010007	2-11	140464	2-29, 2-33, 2-37, 2-67, 2-69
1-076-010010	2-11	140465	2-32
108628	2-23	140466	2-32
108830	2-83, 2-85, 2-87, 2-89	140467	2-32, 2-36
109895	2-49, 2-73	140469	2-28, 2-32, 2-36
111789	2-94	140473	2-29, 2-33, 2-37, 2-67, 2-69
111962	2-15	140475	2-29, 2-33, 2-37, 2-67, 2-69
114029	2-28	140476	2-29, 2-33, 2-37, 2-67, 2-69
116100	2-17	140477	2-28, 2-32, 2-36, 2-67, 2-69
116490	2-93	140479	2-28, 2-32, 2-36, 2-67, 2-69
116491	2-93	140480	2-28, 2-32, 2-36, 2-67, 2-69
117259	2-91	140481	2-28, 2-32, 2-36
		140482	2-28, 2-32, 2-36

NUMERICAL INDEX

140483	2-28, 2-33, 2-36	141579	2-83, 2-87
140484	2-28, 2-33, 2-36	141580	2-83, 2-87
140485	2-28, 2-33, 2-37	141597	2-97
140487	2-29, 2-33, 2-37	141807	2-17
140488	2-29, 2-33, 2-37	141809	2-9
140490	2-29, 2-33, 2-37	141828	2-43, 2-45, 2-47, 2-61, 2-63, 2-65, 2-91, 2-93
140491	2-29, 2-33, 2-37	141867	2-11
140519	2-9, 2-13	142120	2-95
140548	2-9	142194	2-19
140554	2-11	142648	2-9
140594	2-11	142656	2-91, 2-93
140595	2-11	142660	2-37
140599	2-20, 2-49, 2-71, 2-73, 2-77	142662	2-37
140610	2-20	142753	2-3, 2-5, 2-7
140646	2-11	143067	2-9, 2-11, 2-13, 2-15
140647	2-17, 2-19	144048	2-23
140649	2-20	144115	2-3, 2-5, 2-7, 2-17
140693	2-91, 2-93	144155	2-29, 2-33, 2-37
141154	2-29, 2-33, 2-37	144193	2-3, 2-5, 2-7, 2-97
141187	2-29, 2-33, 2-37	144322	2-5, 2-7, 2-93, 2-95
141198	2-11	144457	2-25
141209	2-9, 2-13	144460	2-25
141213	2-23	144473	2-17
141234	2-9, 2-13	144493	2-3, 2-5, 2-7, 2-17
141236	2-11	145190	2-17
141238	2-11	145207	2-3, 2-91, 2-94
141246	2-17	146822	2-17
141247	2-17	146828	2-3, 2-5, 2-7, 2-91, 2-93
141249	2-17	146832	2-17
141250	2-19	147553	2-9, 2-11
141251	2-25	147584	2-93
141259	2-3, 2-5, 2-7, 2-97	147749	2-94
141260	2-3, 2-5, 2-7, 2-97	147750	2-94
1413183	2-91	147751	2-94
141434	2-17	147752	2-94
141576	2-83, 2-87	147753	2-94
141577	2-83, 2-87	147754	2-94
141578	2-83, 2-87	147755	2-94, 2-95

147756	2-94	152210	2-77
147757	2-94	153696	2-17
148337	2-67, 2-69	153716	2-67, 2-69
148363	2-29, 2-33, 2-37	153804	2-9, 2-13
148364	2-29, 2-33, 2-37	153843	2-91
149007	2-47	154104	2-95
149581	2-20	154138	2-67
149582	2-20	154172	2-25
149591	2-29, 2-33, 2-37	154182	2-67
149592	2-29, 2-33, 2-37	154185	2-67, 2-69
149593	2-29, 2-33, 2-37	154186	2-67, 2-69
149594	2-29, 2-33, 2-37	154393	2-67, 2-69
149603	2-29, 2-33, 2-37	154410	2-39, 2-57, 2-67
149604	2-29, 2-33, 2-37	154659	2-67, 2-69
149605	2-29, 2-33, 2-37	154687	2-41, 2-59, 2-69
149606	2-29, 2-33, 2-37	154692	2-69
149607	2-29, 2-33, 2-37	154993	2-55, 2-79
150231	2-29, 2-33, 2-37	154994	2-55, 2-79
150232	2-29, 2-33, 2-37	154995	2-55, 2-79
150244	2-25	154997	2-55, 2-79
1-510-010003-09	2-55, 2-79	154998	2-55, 2-79
1-512-010005-01	2-3, 2-5, 2-7, 2-17, 2-83, 2-85, 2-87, 2-89	155523	2-97
1-512-010005-03	2-9, 2-13, 2-23	155528	2-91, 2-93
1-512-010005-05	2-9, 2-13	155530	2-43, 2-45, 2-47, 2-61, 2-63, 2-65
1-512-010005-09	2-13, 2-28, 2-32, 2-36, 2-43, 2-45, 2-47, 2-49, 2-55, 2-61, 2-63, 2-65, 2-67, 2-79, 2-83, 2-85, 2-87, 2-89, 2-91, 2-93	155534	2-17
1-512-010005-13	2-9, 2-13, 2-25, 2-67, 2-69, 2-83, 2-85, 2-87, 2-89	155536	2-17
1-512-010005-15	2-3, 2-5, 2-7, 2-9, 2-13, 2-20, 2-25, 2-28, 2-32, 2-36, 2-49, 2-71, 2-73, 2-81	155538	2-17
1-512-010005-19	2-3, 2-5, 2-7, 2-17, 2-25, 2-49, 2-71, 2-73, 2-77	155544	2-67, 2-69
1-512-010007-02	2-83, 2-87	155545	2-41, 2-59, 2-69
1-512-010007-07	2-17	155564	2-17
1-512-010007-14	2-49, 2-71, 2-73, 2-77	155589	2-67
1-512-010007-16	2-17	155591	2-67
1-512-010008-12	2-17	155592	2-67
1-516-010001-20	2-11, 2-15	155594	2-67, 2-69
		155595	2-39, 2-57, 2-67
		155617	2-29, 2-33
		155618	2-29, 2-37
		155619	2-33, 2-37

NUMERICAL INDEX

1-557-010013	2-49, 2-81	161530	2-29, 2-33
1-557-010362-51	2-11, 2-15	164138	2-83, 2-85, 2-87, 2-89
1-557-010403	2-3, 2-5, 2-7, 2-91, 2-93	164140	2-83, 2-85, 2-87, 2-89
155716	2-17	164407	2-75, 2-79
155717	2-17	164501	2-13
155927	2-55, 2-79	164563	2-13
155956	2-55, 2-79	1-647-010004217	2-23
155971	2-55, 2-79	1-647-010004236	2-49, 2-71, 2-73, 2-77
156010	2-3, 2-5, 2-7, 2-9, 2-97	1-647-010004240	2-13, 2-49
156124	2-69	1-647-010004255	2-25
156125	2-41, 2-59, 2-69	1-647-010004257	2-28, 2-32, 2-36
156778	2-55, 2-79	164900	2-79
156950	2-17	165236	2-13
156957	2-81	165238	2-5, 2-7
156964	2-91, 2-93	165256	2-13
156972	2-13, 2-15	165257	2-9, 2-13
156973	2-15	165258	2-23
156974	2-15	165259	2-23
156979	2-15	165260	2-23
156992	2-9	165262	2-23
157008	2-9	165265	2-9, 2-13
157019	2-9	165286	2-13
1-573-010006	2-3, 2-5, 2-7, 2-97	1-654-010032-05	2-3, 2-5, 2-7, 2-67, 2-69
157556	2-87, 2-89	1-654-010032-09	2-32, 2-36
157557	2-87, 2-89	1-654-010047-04	2-83, 2-85, 2-87, 2-89
157648	2-85, 2-89	1-654-010047-06	2-3, 2-5, 2-7, 2-17
158080	2-77	1-654-010047-07	2-83, 2-85, 2-87, 2-89
158299	2-49	1-654-010047-08	2-85, 2-89
158795	2-49, 2-71, 2-73, 2-77	1-654-010049-19	2-9, 2-13
158803	2-20	1-654-010051-06	2-9, 2-13
158896	2-77	1-654-010055-05	2-28, 2-32, 2-36, 2-67
158903	2-9	1-654-010055-09	2-55, 2-79
159970	2-15	1-654-010055-11	2-43, 2-45, 2-47, 2-61, 2-63, 2-65, 2-91, 2-93
160199	2-77	1-654-010055-14	2-55, 2-79
160597	2-9	1-654-010055-15	2-13, 2-49
160602	2-81	1-654-010055-16	2-83, 2-85, 2-87, 2-89
160789	2-3, 2-5, 2-7	1-654-010059-07	2-9, 2-13
161500	2-18		

1-654-010059-15	2-77	169726	2-9, 2-13, 2-23
1-654-010059-24	2-83, 2-87	169727	2-9, 2-13
1-654-010061-05	2-9, 2-13	169849	2-47
1-654-010061-06	2-3, 2-5, 2-7	170046	2-5
1-654-010061-07	2-20	170049	2-5
1-654-010061-13	2-25, 2-81	170066	2-39
1-654-010061-15	2-81	170258	2-17
1-654-010061-19	2-17	170265	2-29, 2-33, 2-37
1-654-010070-02	2-28, 2-32, 2-36, 2-55, 2-79	170266	2-29, 2-33, 2-37
1-654-010070-04	2-28, 2-32, 2-36	170267	2-29, 2-33, 2-37
1-654-010070-11	2-55, 2-79	170268	2-29, 2-33, 2-37
1-654-010070-13	2-55, 2-79	170281	2-28
1-654-010070-14	2-55, 2-79	170284	2-9
1-654-010087-16	2-17	170285	2-3
1-654-010104245	2-50, 2-51, 2-52	170286	2-3
1-654-010123-01	2-17	170292	2-3, 2-5, 2-7
1-654-010125-22	2-17	170296	2-13
166571	2-3, 2-5, 2-7, 2-97	170706	2-13
166717	2-23	170709	2-3, 2-5, 2-7
168859	2-15	170719	2-75, 2-77
168892	2-91, 2-93	170721	2-75, 2-79
169167	2-13	170727	2-57, 2-59, 2-71
169484	2-25	170730	2-73
169486	2-25	170732	2-57, 2-59, 2-73
169492	2-25	170736	2-75
169493	2-25	170737	2-57
169498	2-25	170764	2-29, 2-33, 2-37
169502	2-25	170765	2-29, 2-33, 2-37
169510	2-25	170766	2-29, 2-33, 2-37
169575	2-29	170767	2-29, 2-33, 2-37
169584	2-17, 2-20	170781	2-83, 2-85
169585	2-20	170782	2-83, 2-85
169601	2-29	170787	2-49
169690	2-49, 2-73	170813	2-83, 2-87
169711	2-28	170816	2-7
169719	2-7	170844	2-49
169720	2-7	170846	2-49
169725	2-23	170847	2-39, 2-41, 2-49

NUMERICAL INDEX

170850	2-49, 2-73	171407	2-83, 2-85
170851	2-49, 2-71, 2-73	171408	2-83
170852	2-49, 2-71, 2-73, 2-77	171421	2-55
170857	2-49	171422	2-36
170858	2-77	171423	2-36
170862	2-49, 2-71, 2-73	171424	2-36
170864	2-39, 2-41, 2-55	171427	2-49
170865	2-39, 2-41, 2-55	171604	2-95
170868	2-39, 2-41, 2-49	171605	2-95
170869	2-49	171811	2-3, 2-5, 2-7, 2-25
170870	2-55, 2-79	172057	2-3
170871	2-75, 2-79	172058	2-3
170878	2-32	172059	2-9
171010	2-13	172060	2-7
171011	2-13	172061	2-7
171079	2-50, 2-51, 2-52	172062	2-13
171080	2-50, 2-51, 2-52	172065	2-91
171081	2-50, 2-51, 2-52	172066	2-5
171093	2-50, 2-51, 2-52	172067	2-5
171113	2-57	172069	2-93
171114	2-75	172076	2-37
171115	2-39	172477	2-39, 2-41, 2-55
171117	2-28	172480	2-43, 2-45, 2-47
171122	2-29, 2-33, 2-37	172481	2-43, 2-45, 2-47, 2-61, 2-63, 2-65
171123	2-29, 2-33, 2-37	172492	2-41
171124	2-29, 2-33, 2-37	172493	2-41
171125	2-29, 2-33, 2-37	172494	2-41
171126	2-57	172497	2-59
171127	2-75	172498	2-59
171128	2-39	172499	2-59
171130	2-32	172514	2-81
171135	2-87	172515	2-43, 2-45, 2-47, 2-81
171138	2-93	172516	2-81
171139	2-83	172526	2-49, 2-71, 2-73, 2-77
171144	2-32	172527	2-67
171394	2-43, 2-45, 2-47	172528	2-67
171398	2-91	172529	2-39, 2-57, 2-67
171406	2-83, 2-85	172531	2-67

172534	2-49, 2-73	181617	2-9
172537	2-49, 2-50, 2-61, 2-63, 2-65, 2-71, 2-73	185766	2-43, 2-45, 2-47, 2-49, 2-51, 2-71, 2-73
172538	2-50	185767	2-51, 2-52
172539	2-50	185768	2-51
172543	2-39, 2-41, 2-43	1-861-010005	2-15
172544	2-39, 2-41, 2-45	1-861-010032-07	2-3, 2-5, 2-7
172545	2-39, 2-41, 2-47	1-861-010032-14	2-28, 2-32, 2-36
172549	2-57, 2-59, 2-61	1-861-010032-15	2-55, 2-79
172550	2-57, 2-59, 2-63	1-861-010032-19	2-77
172551	2-57, 2-59, 2-65	1-861-010032-21	2-81
172568	2-45	1-861-010032-24	2-17
172884	2-73	1-861-010032-32	2-20, 2-49
172948	2-50, 2-51, 2-52	1-861-010034-13	2-49, 2-73
172949	2-50, 2-51, 2-52	1-861-010034-17	2-28, 2-32, 2-36, 2-67, 2-69
172950	2-50, 2-51, 2-52	1-861-010034-21	2-67, 2-69, 2-77
172951	2-50, 2-51, 2-52	187169	2-9
172952	2-50, 2-51, 2-52	188528	2-49, 2-73
172953	2-50, 2-51, 2-52	188530	2-49, 2-73
172954	2-50, 2-51, 2-52	188531	2-49, 2-73
172955	2-50, 2-51, 2-52	189451	2-18
172956	2-50, 2-51, 2-52	189453	2-18
172974	2-43, 2-45, 2-47, 2-61, 2-63, 2-65	189454	2-18
172977	2-43, 2-45, 2-47, 2-61, 2-63, 2-65	189468	2-18
174435	2-85, 2-89	191067	2-25
174436	2-85, 2-89	195243	2-55, 2-79
174437	2-85, 2-89	195244	2-55, 2-79
174438	2-85, 2-89	198321	2-49, 2-73
174439	2-85, 2-89	198322	2-9
177030	2-17, 2-18	198342	2-9
177032	2-18	1P444	2-49, 2-71, 2-73
177207	2-85	200129	2-9
177208	2-89	200300040	2-94
177209	2-85	202702-8-6S	2-43, 2-45, 2-47, 2-61, 2-63, 2-65
180325	2-39, 2-41	202702-8-8S	2-91, 2-93
180362	2-39, 2-41	2-054-010461	2-83, 2-85, 2-87, 2-89
180363	2-39, 2-41	2061-6-6S	2-43, 2-45, 2-47, 2-61, 2-63, 2-65
181615	2-9	2061-8-8S	2-91, 2-93
181616	2-9	2062-6-6S	2-43, 2-45, 2-47, 2-61, 2-63, 2-65

NUMERICAL INDEX

2062-8-8S 2-43, 2-45, 2-47, 2-61, 2-63, 2-65, 2-91,
2-93
206652 2-71, 2-73
206672 2-43, 2-45, 2-47, 2-49, 2-52, 2-73
206674 2-52
206675 2-49, 2-71, 2-73
2-150-010174 2-3, 2-5, 2-7, 2-9
2-150-010218 2-5, 2-7, 2-13
2-150-010228 2-17
2-181-010001 2-17, 2-91, 2-93
220000210 2-94
23085 2-29, 2-33, 2-37
2-368-010273 2-83, 2-85, 2-87, 2-89
2-368-010287 2-85, 2-89
2-375-010601 2-17
2-375-010602 2-17
2-474-010022 2-43, 2-45, 2-47, 2-61, 2-63, 2-65,
2-91, 2-93
2-557-010409 2-81
2-573-010198 2-3, 2-5, 2-7, 2-97
2-573-010330-02 2-29, 2-33, 2-37, 2-97
2-798-010106 2-9
43030 2-43
5000 2-29, 2-33, 2-37, 2-67, 2-69
500171 2-19
528933 2-83, 2-85, 2-87, 2-89, 2-97
528934 2-3, 2-5, 2-7, 2-83, 2-85, 2-87, 2-89, 2-97
528938 2-83, 2-85, 2-87, 2-89, 2-97
6-102-010009 2-67, 2-69
70239854 2-17, 2-43, 2-45, 2-47
70260977 2-83, 2-85, 2-87, 2-89
71500165 2-63
71500166 2-63
71508981 2-45, 2-47
71508987 2-91
71509001 2-43
71509004 2-43, 2-63, 2-65
71509006 2-43, 2-61

71509010 2-45, 2-61, 2-65
71509123 2-45, 2-47
71509124 2-45, 2-47
71509788 2-47
71600214 2-91, 2-93
71600529 2-43, 2-65
7779-102 2-43, 2-45, 2-61
7779-48 2-65
7779-54 2-61
7779-72 2-47, 2-61, 2-63
7779-78 2-45, 2-61, 2-63, 2-65
7779-84 2-63
7779-90 2-45, 2-47, 2-61, 2-65
8-102-010043 2-49, 2-77
8-573-010084 2-97
8-622-010081 2-67
900598-6S 2-50, 2-51, 2-52

T

TR416 2-9
TR575 2-9, 2-13

W

W908409-4 2-3, 2-5, 2-7, 2-49, 2-71



Intertek

Equipment from Landoll Corporation is built to exacting standards ensured by ISO 9001 registration at all Landoll manufacturing facilities.

Model 2410 Weatherproofer I Parts Manual

Re-Order Part Number F-621-0912

LANDOLL CORPORATION

1900 North Street

Marysville, Kansas 66508

(785) 562-5381

800-428-5655 ~ WWW.LANDOLL.COM



Copyright 2014. Landoll Corporation

“All rights reserved, including the right to reproduce this material or portions thereof in any form”