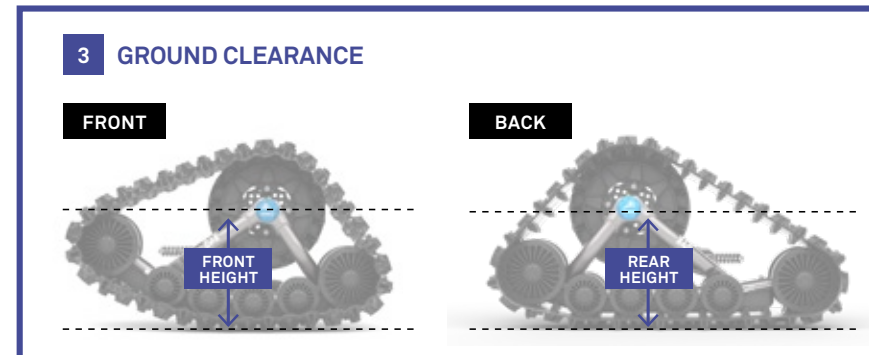
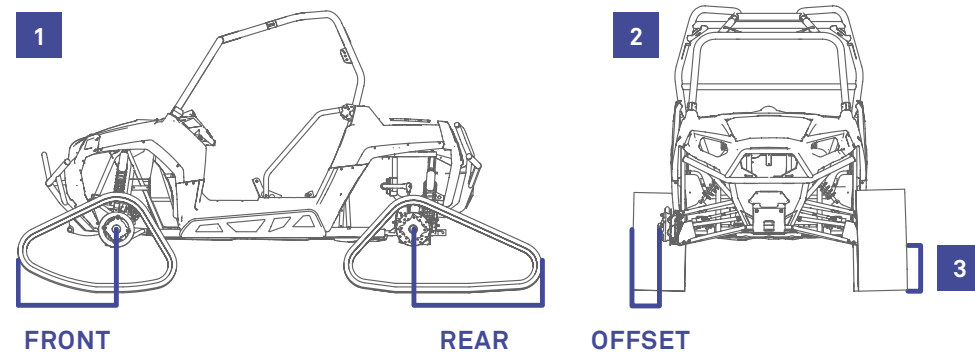


SYSTEM	CAMSO ATV R4S	CAMSO ATV T4S	NEW CAMSO X4S	CAMSO UTV 4S1
Vehicle size	300 cc to 500 cc	300 cc to 1000 cc	300 cc and more (ATV) 400 cc to 700 cc (UTV)	400 cc to 1000 cc
1 Offset (length)	Front: 25 in. (638 mm) Rear: 26 in. (658 mm)	Front: 24 in. (609 mm) Rear: 27 in. (685 mm)	Front: 24 in. (609 mm) Rear: 27 in. (685 mm)	Front: 26.5 in. (673 mm) Rear: 35 in. (889 mm)
2 Offset (width)	5.5 in. (140 mm)	6 in. (153 mm)	6 in. (153 mm)	7.25 in. (184 mm)
3 Ground clearance	Front height: 15 3/8 in. (390 mm) Rear height: 15 3/8 in. (390 mm)	Front height: 15 3/8 in. (390 mm) Rear height: 14 5/8 in. (372 mm)	Front height: 15 3/8 in. (390 mm) Rear height: 14 5/8 in. (372 mm)	Front height: 16 3/8 in. (416 mm) Rear height: 16 1/2 in. (418 mm)
Weight (average)	60 lb (27 kg)	71 lb (30 kg)	Front: 72.6 lb (33kg) Rear: 79.4 lb (36 kg)	Front: 103 lb (47 kg) Rear: 120 lb (54 kg)
Height	Front: 24 in. (610 mm) Rear: 24 in. (610 mm)	Front: 23.8 in. (604 mm) Rear: 23.2 in. (590 mm)	Front: 23.8 in. (604 mm) Rear: 23.2 in. (590 mm)	Front: 25 in. (637 mm) Rear: 24.7 in. (626 mm)
Length	Front: 40 in. (1016 mm) Rear: 43 in. (1092 mm)	Front: 40 in. (1016 mm) Rear: 42.5 in. (1081 mm)	Front: 40 in. (1016 mm) Rear: 42.5 in. (1081 mm)	Front: 42.5 in. (1081 mm) Rear: 52 in. (1321 mm)
Width	8.4 in. (213 mm)	22 in. (560 mm)	22 in. (560 mm)	25 in. (635 mm)
SPECIFICATIONS				
Drive type	Internal drive	Internal drive	Internal drive	Internal drive
Frame	Carbon steel	Carbon steel	Carbon steel	Carbon steel
Idler and mid-roller wheels/tires	134 mm double bearing and sealed mid-roller wheels. Bladder type wheel cap. 200 mm double bearing	134 and 202 mm encapsulated and sealed wheel including elastomer outer band. Bladder-type wheel cap.	134 and 202 mm double bearings wheel. Standard and replaceable sealed bearings. Elastomer outer band. Bladder-type wheel cap.	132 mm double-bearing mid-roller wheels (width: 50 mm) 241 mm double-bearing flat free tires. Bladder-type wheel cap and face seal.
Hub and bearing	Oiled 2 bearing with cast steel multi-bolt (4-5) pattern hub.	Cast steel multi-bolt (4) pattern hub.	Cast steel multi-bolt (4) pattern hub.	Oiled 3-bearing with forged steel multi-bolt (4-5) pattern hub.
Tandem and suspension	N/A	Mono front tandem on pivot point with bolted wheels.	Mono front tandem on pivot point with bolted wheels.	Rubber mount steel tandem. Rubber mount aluminium shaft axle. Maintenance free.
MAINTENANCE				
Installation time* (average)	2 hrs	2 hrs	2 hrs	2 hrs
Subsequent	1 hr	1 hr	1 hr	1 hr

*We recommend initial installation of Camso Track System be performed at an authorized dealer. Installation time may vary depending on vehicle make and model. Certain characteristics may vary depending on vehicle make and model. See product pages for details.

SYSTEM OFFSET AND CLEARANCE



2-YEAR LIMITED WARRANTY

CAMSO TRACK SYSTEMS ARE COVERED BY A BEST-IN-CLASS TWO-YEAR LIMITED WARRANTY.

