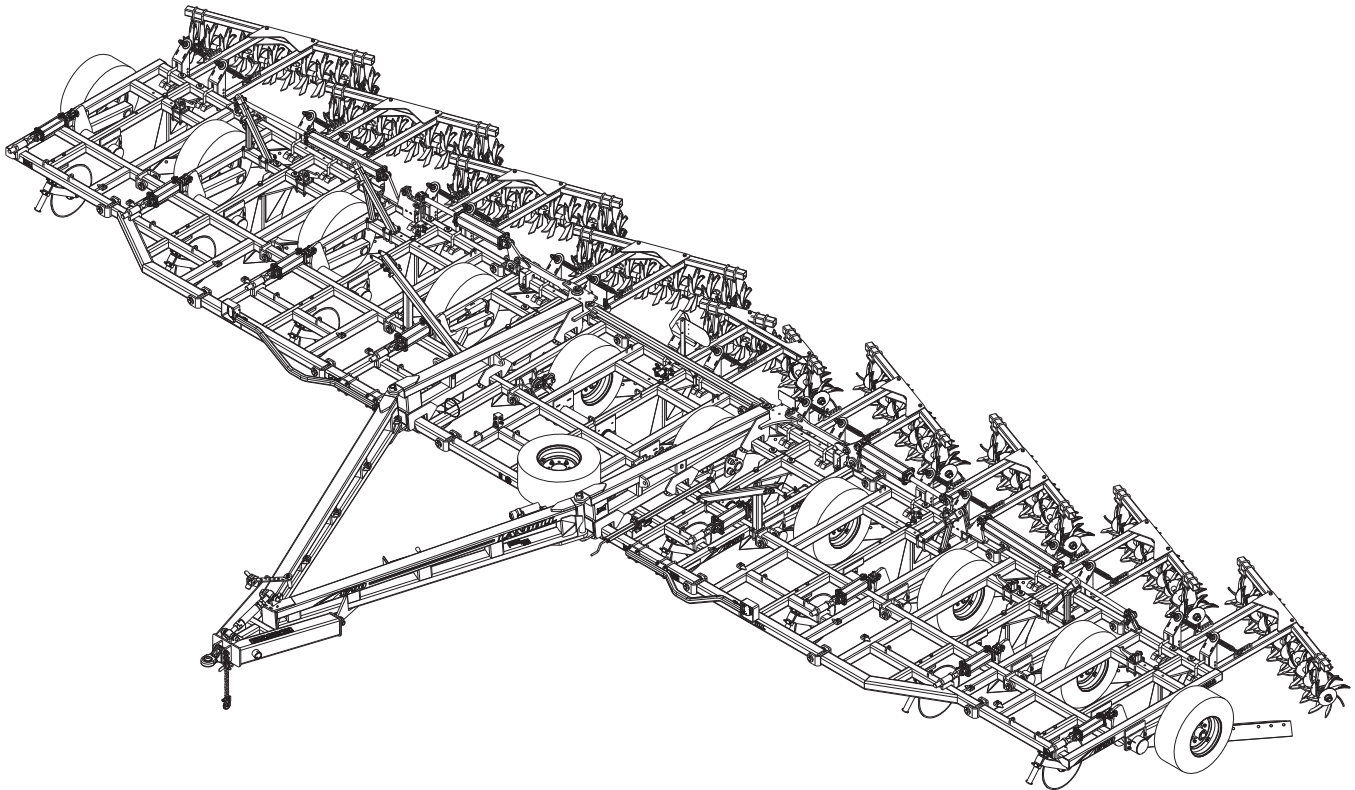




**Model 1760, 1770, 1790, 1710
Blade Plow
Parts Manual**



LANDOLL COMPANY, LLC

1900 North Street

Marysville, Kansas 66508

(785) 562-5381

800-428-5655 ~ WWW.LANDOLL.COM

Manuals for the 1760, 1770, 1790, 1710 Blade Plow

MANUAL NUMBER	MANUAL NAME
F-920	1760, 1770, 1790, 1710 BP Operator's Manual
F-XXXX	1760, 1770, 1790, 1710 BP Parts Manual

Table of Contents

1 Illustrated Parts List

Instructions For Ordering Parts	1-1
Center Frame Assemblies	1-2
Frame Assembly Center LH 1760-35'	1-3
Frame Assembly Center RH 1760-35'	1-7
Frame Assembly Center Mid 1770-40' & 1790-52'	1-9
Frame Assembly Center LH 1770-40' & 1790-52'	1-11
Frame Assembly Center Mid 1710-64'	1-15
Frame Assembly Center LH 1710-64'	1-17
Depth Stop Assembly	1-19
Hitch Assemblies	1-20
Hitch Assembly 1760-35'	1-21
Hitch Assembly 1770-40', 1790-52' & 1710-64'	1-23
Hitch Leveler Assembly 1760-35'	1-25
Hitch Leveler Assembly 1770-40', 1790-52' & 1710-64'	1-27
Turnbuckle Assembly	1-28
Radius Rod Assembly	1-29
Ball & Clevis Hitches	1-30
7,000 Lb. Sidewind Jack Assembly	1-31
Wing Frame Assemblies	1-32
Frame Assembly Wing LH - Inner 1760-35'	1-33
Frame Assembly Wing LH - Inner 1710-64'	1-35
Frame Assembly Wing LH - Inner 1790-52' & 1710-64'	1-37
Frame Assembly Wing LH - Middle 1770-40', 1790-52' & 1710-64'	1-39
Frame Assembly Wing LH - Outer 1760-35'	1-41
Frame Assembly Wing LH - Outer 1770-40', 1790-52' & 1710-64'	1-43
Hub & Spindles	1-44
Hub and Spindle Assembly - 156972	1-45
Hub and Spindle Assembly - 223440	1-47
Hub and Spindle Assembly 3.25" - 8 Bolt	1-49
Tire & Wheel Assemblies	1-50
Tire & Wheel Assembly 320/70R15	1-51
Tire & Wheel Assembly 380/55R 16.5	1-53
Tire & Wheel Assembly 480/45R17	1-55
Fold Assemblies	1-56
Wing Fold Assembly 1760-35'	1-57
Wing Fold Assembly 1770-40'	1-59
Inner Wing Fold Assembly 1790-52'	1-61
Outer Wing Fold Assembly 1790-52'	1-63
Outer Wing Fold Assembly 1710-64'	1-67
Blade Standard Assemblies	1-68
Shank & Blade Placement	1-69
Blade & Standard Assembly	1-71
Coulter Assemblies	1-72
Coulter Assembly	1-73

Coulter and Arm Assembly	1-75
Treader Wheel Assemblies	1-76
Treader Assembly 1760-35', 1770-40' & 1790-52'	1-77
Treader Assembly 1710-64'	1-79
Bracket & Treader Assembly	1-81
Hydraulic Bracket & Treader Assembly 1760-40' & 1770-52'	1-83
Hydraulic Bracket & Treader Assembly 1790-52' & 1710-64'	1-87
Hydraulic Treader Manifold & Hose Mount Assembly 1760-35' & 1770-40'	1-89
Hydraulic Treader Manifold & Hose Mount Assembly 1790-52' & 1710-64'	1-91
Treader Wheel Assembly LH	1-93
Treader Wheel Assembly RH	1-95
Treader Hydraulic Assembly 1760-35'	1-97
Treader Hydraulic Assembly 1770-40'	1-99
Treader Hydraulic Assembly 1790-52'	1-101
Treader Hydraulic Assembly 1710-64'	1-103
Lift Hydraulic Assemblies	1-104
Lift Hydraulic Assembly 1760-35'	1-105
Lift Hydraulic Assembly 1770-40'	1-107
Lift Hydraulic Assembly 1790-52'	1-109
Lift Hydraulic Assembly 1710-64'	1-111
Fold Hydraulic Assembly - 1760-35'	1-113
Fold Hydraulic Assembly - 1770-40'	1-115
Fold Hydraulic Assembly 1790-52'	1-117
Fold Hydraulic Assembly 1710-64'	1-119
Cylinder Assemblies	1-120
Cylinder - Rephase 3-1/4 X 10	1-120
Cylinder - Rephase 3-1/2 X 10	1-121
Cylinder - Rephase 3-3/4 X 10	1-122
Cylinder - Rephase 4 X 10	1-123
Cylinder - Rephase 4-1/2 X 10 (Prince)	1-124
Cylinder - Rephase 4-1/2 X 10 (Midway)	1-125
Cylinder - 4-1/2 X 20	1-126
Cylinder - 4 X 36	1-127
Cylinder - 4 X 48	1-128
Cylinder - 2-1/2 X 4	1-129
Electrical	1-131
Electrical Assembly W/ LED Lights 1760-35'	1-133
Electrical Assembly W/ LED Lights 1770-40', 1790-52' & 1710-64'	1-135
Decals	1-137
Decal Locations & Arrangements	1-139
Rear Tow Hitch Assembly	1-140
1700 Rear Tow Hitch Assembly	1-141
1700 Rear Tow Hitch Hydraulic Assembly	1-143
1760 Rear Tow Hitch Assembly	1-145
1760 Rear Tow Hitch Hydraulic Assembly	1-147

2 Index

Illustrated Parts List

Instructions For Ordering Parts

ORDER PARTS FROM LANDOLL PARTS DISTRIBUTION CENTER

**** Repair parts must be ordered through an Authorized Dealer ****

PHONE NO: 1-800-423-4320 OR 1-785-562-5381
ORDER ONLINE: Dealer.landoll.com

FAX NO: 888-527-3909

IDENTIFICATION PLATE

The identification plate, which lists the model number and serial number, is located on the front of the frame.
See Figure 1-1.

SERIAL NUMBER NOMENCLATURE

The serial number for the 1700 Blade Plow is located on the identification plate.

QR CODE DECAL

The 2100 series QR code decal, may be scanned to link you to the most current manuals, is located on the front of the frame *See Figure 1-1.*

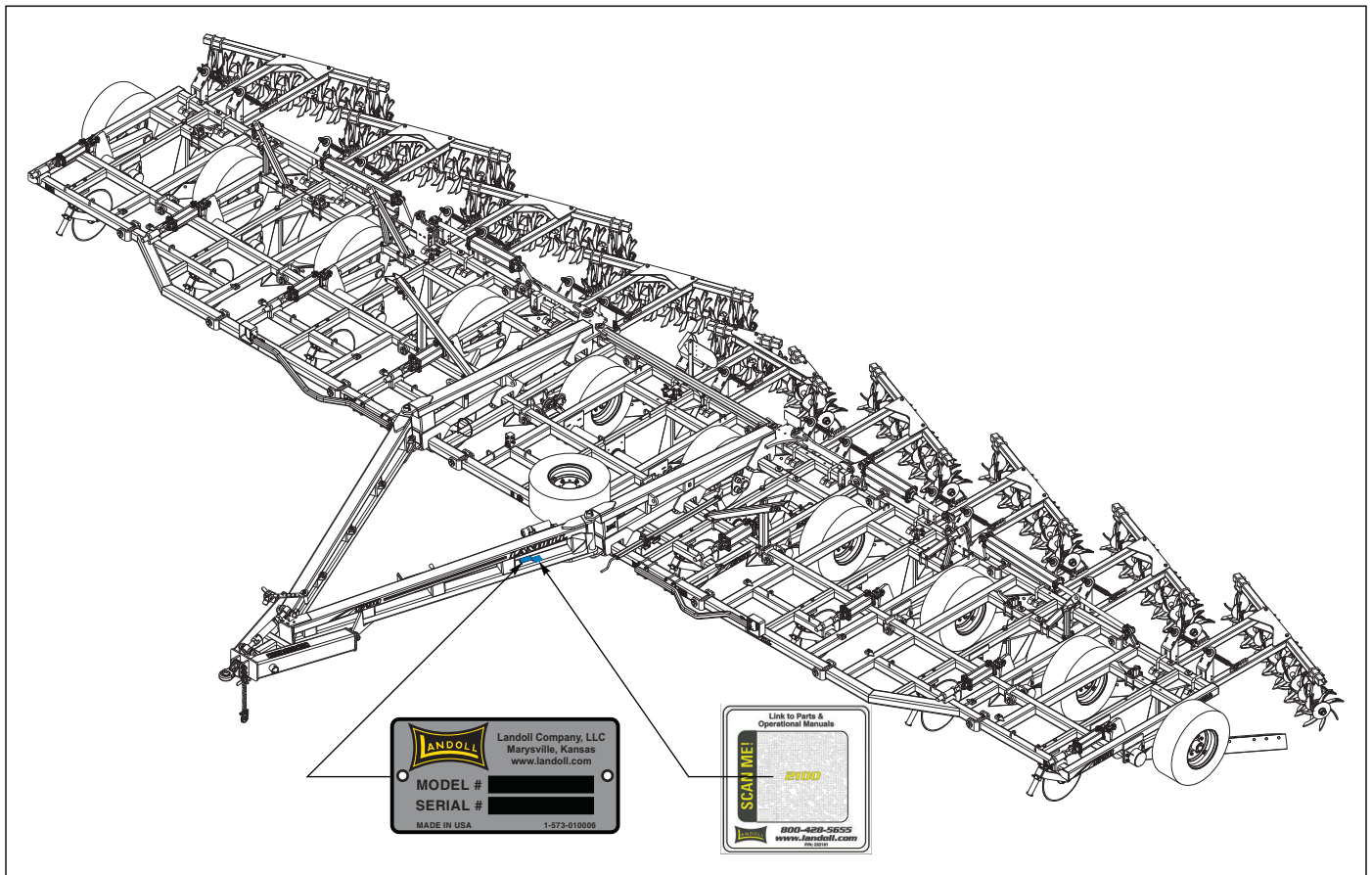


Figure 1-1: Identification Plate and QR Decal

Center Frame Assemblies

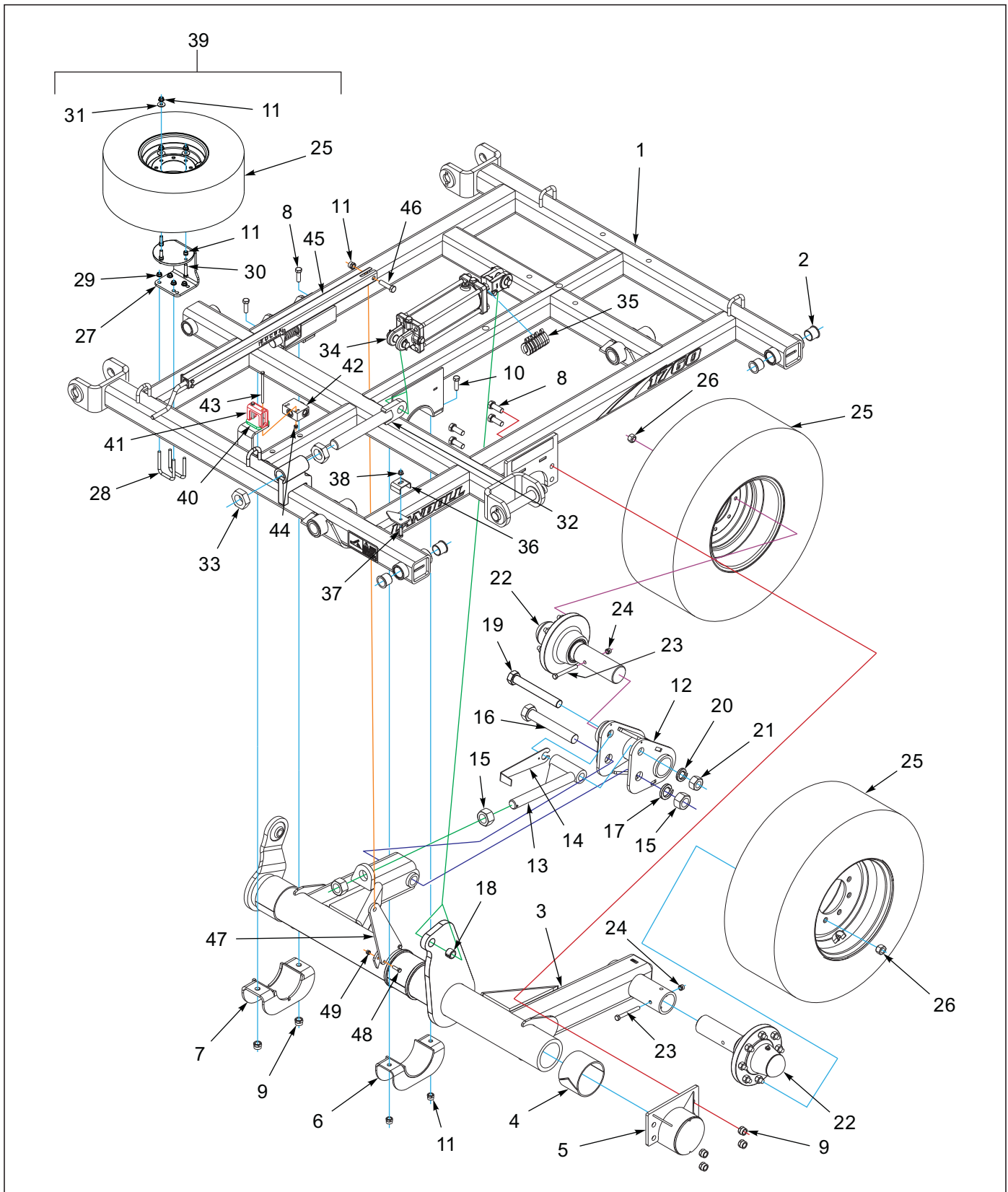


Figure 1-2: Frame Assembly Center LH 1760-35'

Frame Assembly Center LH 1760-35'

ITEM	PART NO.	DESCRIPTION	QTY.
--	209464	FRAME ASSY, LH CENTER	
1	209474	WLDMT, LH CENTER FRAME	1
2	140599	BEARING, FLANGE 1-1/2	2
3	209480	WLDMT, LH CENTER LIFT	1
4	101519	SHIM,STEEL .031X1.25IDX1.75OD	3
5	141209	BEARING CAP, LIFT	1
6	179691	BEARING CAP, LIFT WLDMT	1
7	141234	BEARING CAP, LIFT BLUE	1
8	1-654-010061-05	SCREW,HHC,3/4-10UNCX2,GR5,ZP	6
9	1-512-010005-15	NUT,HEX,SLFLKG GRB 3/4-10	9
10	1-654-010059-05	SCREW,HEX CAP,5/8-11UNCX2 GR5	2
11	1-512-010005-13	NUT,HEX SLFLKG GRB 5/8-11	3
12	207626	WLDMT, SPINDLE ADJUSTMENT, LH	1
13	207635	WLDMT, SPINDLE ADJ ROD	1
14	207639	SPINDLE ADJ GAUGE	1
15	102351	NUT,HEX 1-1/2-6UNC GR2 ZP	3
16	1-654-010076-24	SCREW HEX CAP 1-1/2-6X9.5 GR8	1
17	1-1/2SLW	1-1/2 WASHER SPLIT LOCK ZP	1
18	192890	BUSHING 1-3/8ODX1 IDX1 STEEL	1
19	100808	SCREW CP HXHD 1-1/4-7X9-1/2G8	1
20	100825	WASHER, LKG, HLCL SPR 1-1/4	1
21	1-512-010007-16	NUT,HEX 1-1/4-7 GR2 ZP	1
22	156972	HUB & SPINDLE ASSY, 8 BOLT (BEFORE 02-01-2020) (SEE PAGE 1-45)	2
22	223440	ASSY, 8 BOLT HUB & SPINDLE (AFTER 02-01-2020) (SEE PAGE 1-47)	2
23	1-654-010055-14	SCREW,HX CP,1/2-13UNCX4-1/2G5	2
24	1-512-010005-09	NUT,HEX,SLFLKG, 1/2-13 GRB	2
25	184708	TIRE ASSY,320/70R15,8 BOLTWHL (SEE PAGE 1-51)	3
26	102600	NUT,WHEEL BOLT, 5/8	16
27	208213	MOUNT, TIRE 8-BOLT	1
28	6-102-010009	U-BOLT RIGID GA WHEEL	2
29	29SFFL 5811	NUT,FLANGE HEAD LOCK5/8-11UNC	4
30	164147	SCREW HX CAP5/8-11X3 2-1/2THD	3
31	1-861-010032-19	WASHER, FLAT 5/8 W ZP/CD	3
32	167617	ROD, CYLINDER ANCHOR WLDMT	1
33	155716	NUT HX JAM 1-3/4-5UNC GR2	2
34	140470	CYLINDER 4X10 REPHASE (SEE PAGE 1-123)	1
35	211427	KIT,Ø1-3/8 ROD CYL STOP	1
36	2-181-010001	HOSE CLAMP	1
37	1-654-010051-07	SCREW,HEX CAP,3/8-16UNCX1-1/2	1
38	1-510-010001	NUT, 3/8-16 UNC FLANGE LOCK	1
39	211422	SPARE ASSY,320 TIRE 8-BOLT 4X4 (INCLUDES ITEMS 11, 25, 30-34)	1
40	165257	PAD, SLIDE (AFTER 11-1-2018)	1
41	165265	GUIDE, DEPTH STOP (AFTER 11-1-2018)	1
42	203467	VALVE-LIMIT, STROKE (AFTER 11-1-2018)	1
43	171556	SCREW,HEX CP,5/16-18UNCX5-1/2 (AFTER 11-1-2018)	2
44	1-512-010005-03	NUT HEX SLFLKG GRB 5/16-18 (AFTER 11-1-2018)	2
45	216127	ASSY, DEPTH STOP 41" (AFTER 11-1-2018) (SEE PAGE 1-19)	1
46	1-654-010059-07	SCREW HX CP 5/8-11UNCX2-1/2G5 (AFTER 11-1-2018)	1
47	164124	MOUNT, DEPTH CONTROL (AFTER 11-1-2018)	1

Frame Assembly Center LH 1760-35'

ITEM	PART NO.	DESCRIPTION	QTY.
48	1-654-010051-06	SCREW,HEX CAP 3/8-16UNCX1-1/4 (AFTER 11-1-2018)	2
49	1-512-010005-05	NUT, HEX, SLFLKG GRB 3/8-16 (AFTER 11-1-2018)	2

ILLUSTRATED PARTS LIST

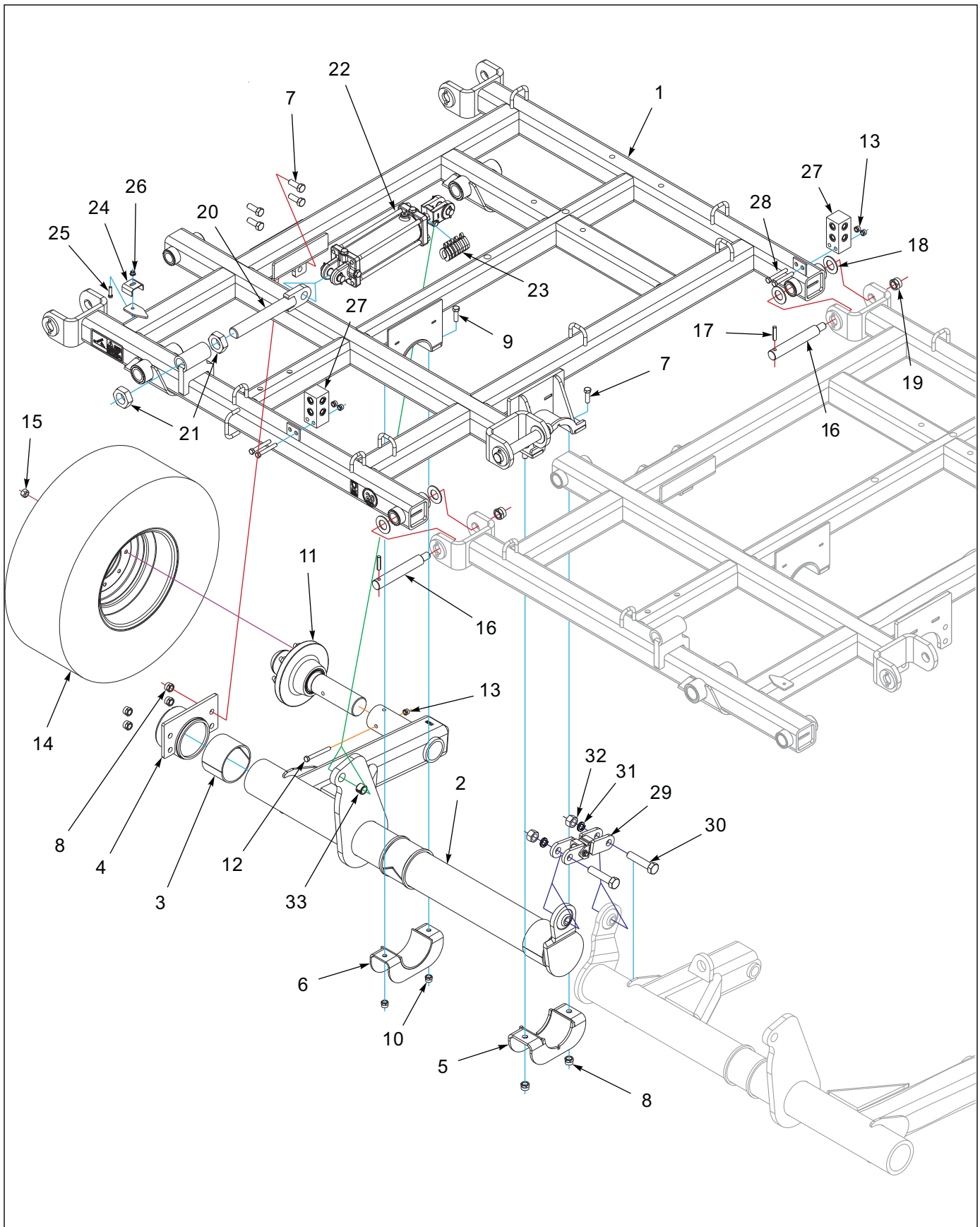


Figure 1-3: Frame Assembly Center RH 1760-35"

Frame Assembly Center RH 1760-35'

ITEM	PART NO.	DESCRIPTION	QTY.
--	209465	FRAME ASSY, RH CENTER	
1	209475	WLDMT, RH CENTER FRAME	1
2	209481	WLDMT, RH CENTER LIFT	1
3	140519	BEARING, UHMW 4IN	3
4	141209	BEARING CAP, LIFT	1
5	141234	BEARING CAP, LIFT BLUE	1
6	179691	BEARING CAP, LIFT WLDMT	1
7	1-654-010061-05	SCREW,HHC,3/4-10UNCX2,GR5,ZP	6
8	1-512-010005-15	NUT,HEX,SLFLKG GRB 3/4-10	6
9	1-654-010059-05	SCREW,HEX CAP,5/8-11UNCX2 GR5	2
10	1-512-010005-13	NUT,HEX SLFLKG GRB 5/8-11	2
11	156972	HUB & SPINDLE ASSY, 8 BOLT (BEFORE 02-01-2020) (SEE PAGE 1-45)	1
11	223440	ASSY, 8 BOLT HUB & SPINDLE (AFTER 02-01-2020) (SEE PAGE 1-47)	1
12	1-654-010055-14	SCREW,HX CP,1/2-13UNCX4-1/2G5	1
13	1-512-010005-09	NUT,HEX,SLFLKG, 1/2-13 GRB	5
14	184708	TIRE ASSY,320/70R15,8 BOLTWHL (SEE PAGE 1-51)	1
15	102600	NUT,WHEEL BOLT, 5/8	8
16	202277	PIN, HINGE Ø1.50 X 8-1/4	3
17	144115	PIN, GROOVED ALLOY 1/2X2-1/4	3
18	141266	WASHER, THRUST 1-1/2	6
19	1-512-010005-19	NUT 1-8 HEX SLF-LOCKING GRB	3
20	167617	ROD, CYLINDER ANCHOR WLDMT	1
21	155716	NUT HX JAM 1-3/4-5UNC GR2	2
22	140470	CYLINDER 4X10 REPHASE (SEE PAGE 1-123)	1
23	211427	KIT,Ø1-3/8 ROD CYL STOP	1
24	2-181-010001	HOSE CLAMP	1
25	1-654-010051-07	SCREW,HEX CAP,3/8-16UNCX1-1/2	1
26	1-510-010001	NUT, 3/8-16 UNC FLANGE LOCK	1
27	2-474-010022	MANIFOLD ASSY, HYDR 8 HOSE	2
28	1-654-010055-11	SCREW,HX CP 1/2-13UNCX3-1/2	4
29	208750	TURNBUCKLE ASSY (SEE PAGE 1-28)	1
30	141777	SCREW HX CP 1-8UNCX4-1/2 GR5	2
31	1-861-010034-21	WASHER, LKG HEL SPRG 1IN	2
32	1-512-010007-14	NUT, HEX 1-8 GR2 ZP	2
33	192890	BUSHING 1-3/8ODX1 IDX1 STEEL	1

ILLUSTRATED PARTS LIST

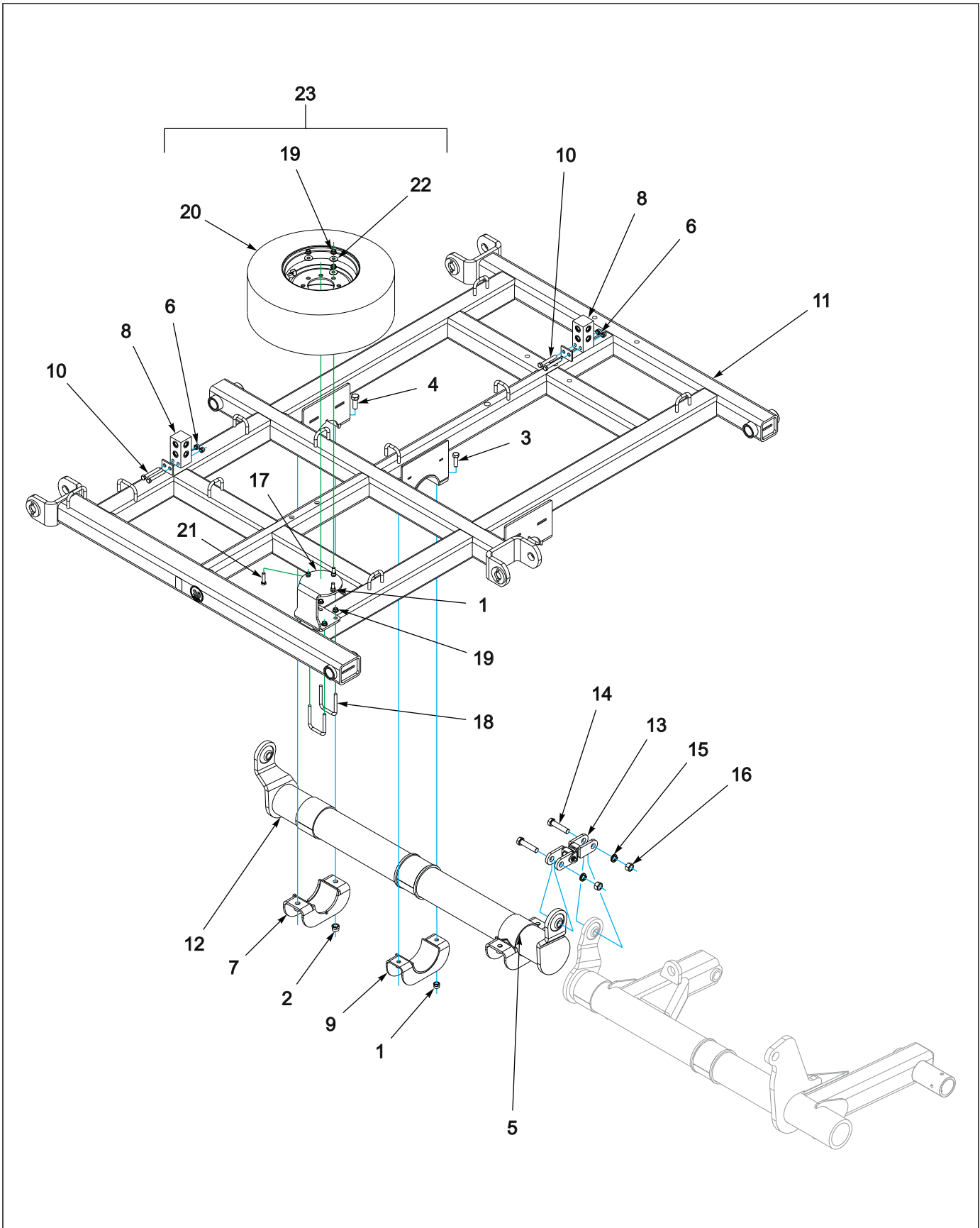


Figure 1-4: Frame Assembly Center Mid 1770-40' & 1790-52'

Frame Assembly Center Mid 1770-40' & 1790-52'

ITEM	PART NO.	DESCRIPTION	QTY.
--	209438	FRAME ASSY, MID CENTER (1770-40')	
--	209440	FRAME ASSY, MID CENTER (1790-52')	
1	1-512-010005-13	NUT,HEX SLFLKG GRB 5/8-11	2
2	1-512-010005-15	NUT,HEX,SLFLKG GRB 3/4-10	2
3	1-654-010059-05	SCREW,HEX CAP,5/8-11UNCX2 GR5	2
4	1-654-010061-05	SCREW,HHC,3/4-10UNCX2,GR5,ZP	2
5	140519	BEARING, UHMW 4IN	3
6	1-512-010005-09	NUT,HEX,SLFLKG, 1/2-13 GRB	4
7	141234	BEARING CAP, LIFT BLUE	2
8	2-474-010022	MANIFOLD ASSY, HYDR 8 HOSE	2
9	179691	BEARING CAP, LIFT	1
10	1-654-010055-11	SCREW,HX CP 1/2-13UNCX3-1/2	4
11	202289	WLDMT, MID CENTER FRAME	1
12	205440	WLDMT, CENTER IDLER LIFT	1
13	208750	TURNBUCKLE ASSY (SEE PAGE 1-28)	2
14	141777	SCREW HX CP 1-8UNCX4-1/2 GR5	2
15	1-861-010034-21	WASHER, LKG HEL SPRG 1IN	2
16	1-512-010007-14	NUT, HEX 1-8 GR2 ZP	2
17	208213	MOUNT, TIRE 8-BOLT	1
18	6-102-010009	U-BOLT RIGID GA WHEEL	2
19	29SFFL 5811	NUT,FLANGE HEAD LOCK5/8-11UNC	7
20	171010	TIRE & WHEEL ASSY,380/55RX16.5 (BEFORE 8/16/2019) (SEE PAGE 1-53)	1
20	221272	BKT 380 TIRE&WHL ASSY POS 1.5" (AFTER 8/16/2019) (SEE PAGE 1-53)	1
21	164147	SCREW HX CAP5/8-11X3 2-1/2THD	3
22	1-861-010032-19	WASHER, FLAT 5/8 W ZP/CD	3
23	208768	MOUNT ASSY, TIRE 8-BOLT 4X4 (INCLUDES ITEMS 1, 17-22)	1

ILLUSTRATED PARTS LIST

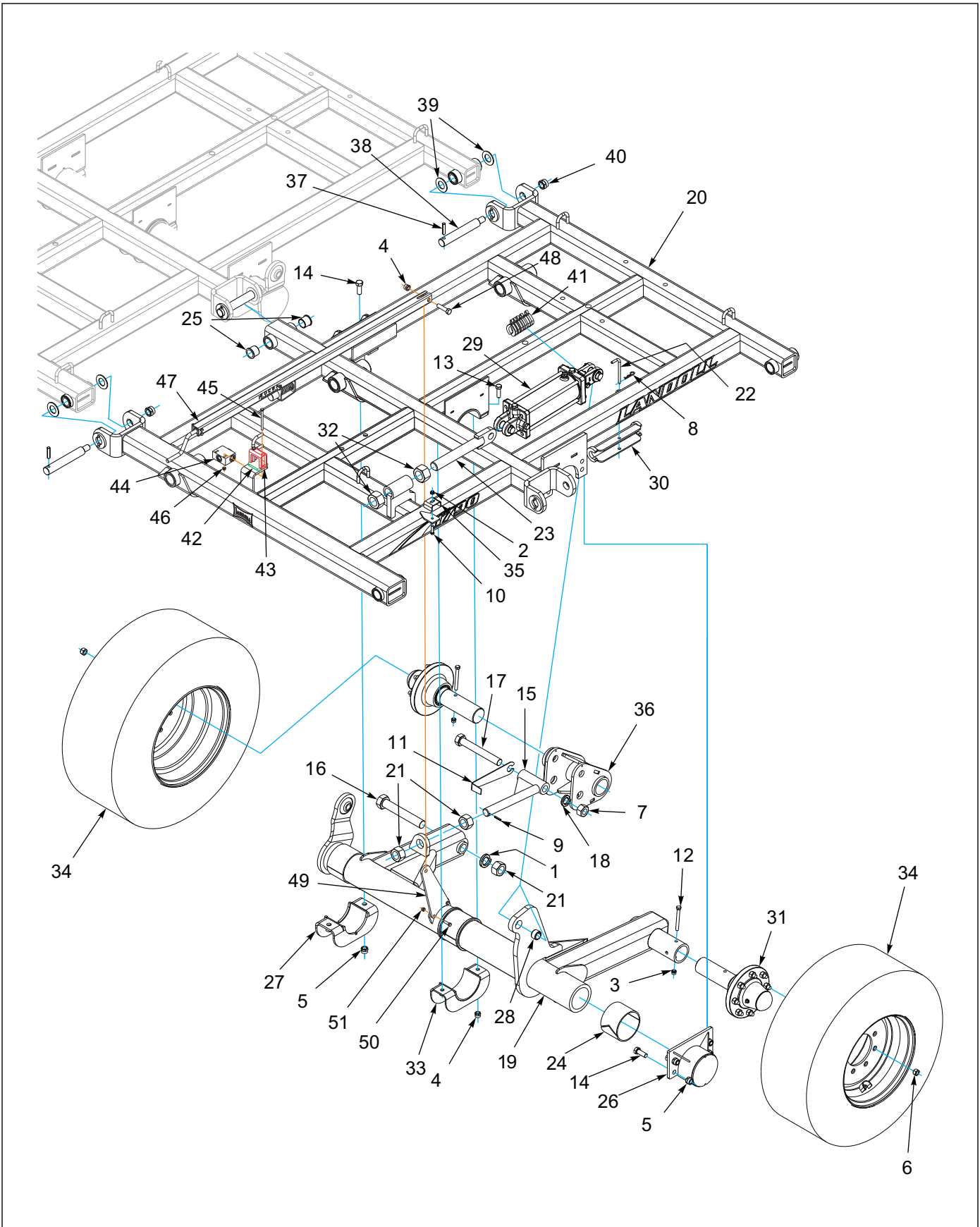


Figure 1-5: Frame Assembly Center LH 1770-40' & 1790-52'

Frame Assembly Center LH 1770-40' & 1790-52'

ITEM	PART NO.	DESCRIPTION	QTY.
--	209439	FRAME ASSY, LH CENTER (1770-40')	
--	209440	FRAME ASSY, RH CENTER (1770-40')	
--	202281	FRAME ASSY, LH CENTER (1790-52') (SHOWN)	
--	202282	FRAME ASSY, RH CENTER (1790-52') (NOT SHOWN)	
1	1-1/2SLW	1-1/2 WASHER SPLIT LOCK ZP	1
2	1-510-010001	NUT, 3/8-16 FLANGE LOCK	1
3	1-512-010005-09	NUT,HEX,SLFLKG, 1/2-13 GRB	2
4	1-512-010005-13	NUT,HEX SLFLKG GRB 5/8-11	3
5	1-512-010005-15	NUT,HEX,SLFLKG GRB 3/4-10	6
6	102600	NUT,WHEEL BOLT, 5/8	16
7	1-512-010007-16	NUT,HEX 1-1/4-7, ZP	1
8	1-557-010403	HAIRPIN 1/8	1
9	1-647-010004217	SPRING PIN, SLOTTED 1/4X1-1/2	1
10	1-654-010051-07	SCREW,HEX CAP,3/8-16UNCX1-1/2	1
11	207639	SPINDLE ADJ GAUGE	1
12	1-654-010055-14	SCREW,HX CP,1/2-13UNCX4-1/2G5	2
13	1-654-010059-05	SCREW,HEX CAP,5/8-11UNCX2 GR5	2
14	1-654-010061-05	SCREW,HHC,3/4-10UNCX2,GR5,ZP	6
15	207635	WLDMT, SPINDLE ADJ ROD	1
16	1-654-010076-24	SCREW HEX CAP 1-1/2-6X9.5 GR8	1
17	100808	SCREW CP HXHD 1-1/4-7X9-1/2G8	1
18	100825	WASHER, LKG, HLCL SPR 1-1/4	1
19	205441	WLDMT, LH CENTER LIFT (SHOWN 202281)	1
19	205442	WLDMT, RH CENTER LIFT (NOT SHOWN 202282)	1
20	202290	WLDMT, LH CENTER FRAME (SHOWN 202281)	1
20	202291	WLDMT, RH CENTER FRAME (NOT SHOWN 202282)	1
21	102351	NUT,HEX 1-1/2-6UNC GR2 ZP	3
22	104358	L PIN,CYL STOP	1
23	167617	ROD, CYLINDER ANCHOR	1
24	140519	BEARING, UHMW 4IN	3
25	140599	BEARING, FLANGE 1-1/2	6
26	141209	BEARING CAP, LIFT	1
27	141234	BEARING CAP, LIFT BLUE	1
28	2-150-010174	BUSHING,1-5/8X1-1/4X1	1
29	184784	CYLINDER, 4-1/2 X 10, REPHASE (SEE PAGE 1-124)	1
30	193844	LOCKOUT WLDMT 2" ROD X 10	1
31	156972	HUB & SPINDLE ASSY, 8 BOLT (BEFORE 02-01-2020) (SEE PAGE 1-45)	2
31	223440	ASSY, 8 BOLT HUB & SPINDLE (AFTER 02-01-2020) (SEE PAGE 1-47)	2
32	155716	NUT HX JAM 1-3/4-5UNC GR2	2
33	179691	BEARING CAP, LIFT	1
34	171010	TIRE & WHEEL ASSY,380/55RX16.5 (BEFORE 8/16/2019) (SEE PAGE 1-53)	2
34	221272	BKT 380 TIRE&WHL ASSY POS 1.5" (AFTER 8/16/2019) (SEE PAGE 1-53)	2
35	2-181-010001	HOSE CLAMP	1
36	207626	WLDMT, SPINDLE ADJUSTMENT, LH (SHOWN 202281)	1
36	207640	WLDMT, SPINDLE ADJUSTMENT, RH (NOT SHOWN 202282)	1
37	144115	PIN, GROOVED ALLOY 1/2X2-1/4	3
38	202277	PIN, HINGE 1.50 x 8-1/4	3
39	141266	WASHER, THRUST 1-1/2	6
40	1-512-010005-19	NUT 1-8 HEX SLF-LOCKING GRB	3

ILLUSTRATED PARTS LIST

Frame Assembly Center LH 1770-40' & 1790-52'

ITEM	PART NO.	DESCRIPTION	QTY.
41	209432	KIT, ø2 ROD CYL DEPTH STOP	1
42	165257	PAD, SLIDE (AFTER 11-1-2018)	1
43	165265	GUIDE, DEPTH STOP (AFTER 11-1-2018)	1
44	203467	VALVE-LIMIT, STROKE (AFTER 11-1-2018)	1
45	171556	SCREW,HEX CP,5/16-18UNCX5-1/2 (AFTER 11-1-2018)	2
46	1-512-010005-03	NUT HEX SLFLKG GRB 5/16-18 (AFTER 11-1-2018)	2
47	214615	ASSY, DEPTH STOP 59" (AFTER 11-1-2018) (SEE PAGE 1-19)	1
48	1-654-010059-07	SCREW HX CP 5/8-11UNCX2-1/2G5 (AFTER 11-1-2018)	1
49	164124	MOUNT, DEPTH CONTROL (AFTER 11-1-2018)	1
50	1-654-010051-06	SCREW,HEX CAP 3/8-16UNCX1-1/4 (AFTER 11-1-2018)	2
51	1-512-010005-05	NUT, HEX, SLFLKG GRB 3/8-16 (AFTER 11-1-2018)	2

ILLUSTRATED PARTS LIST

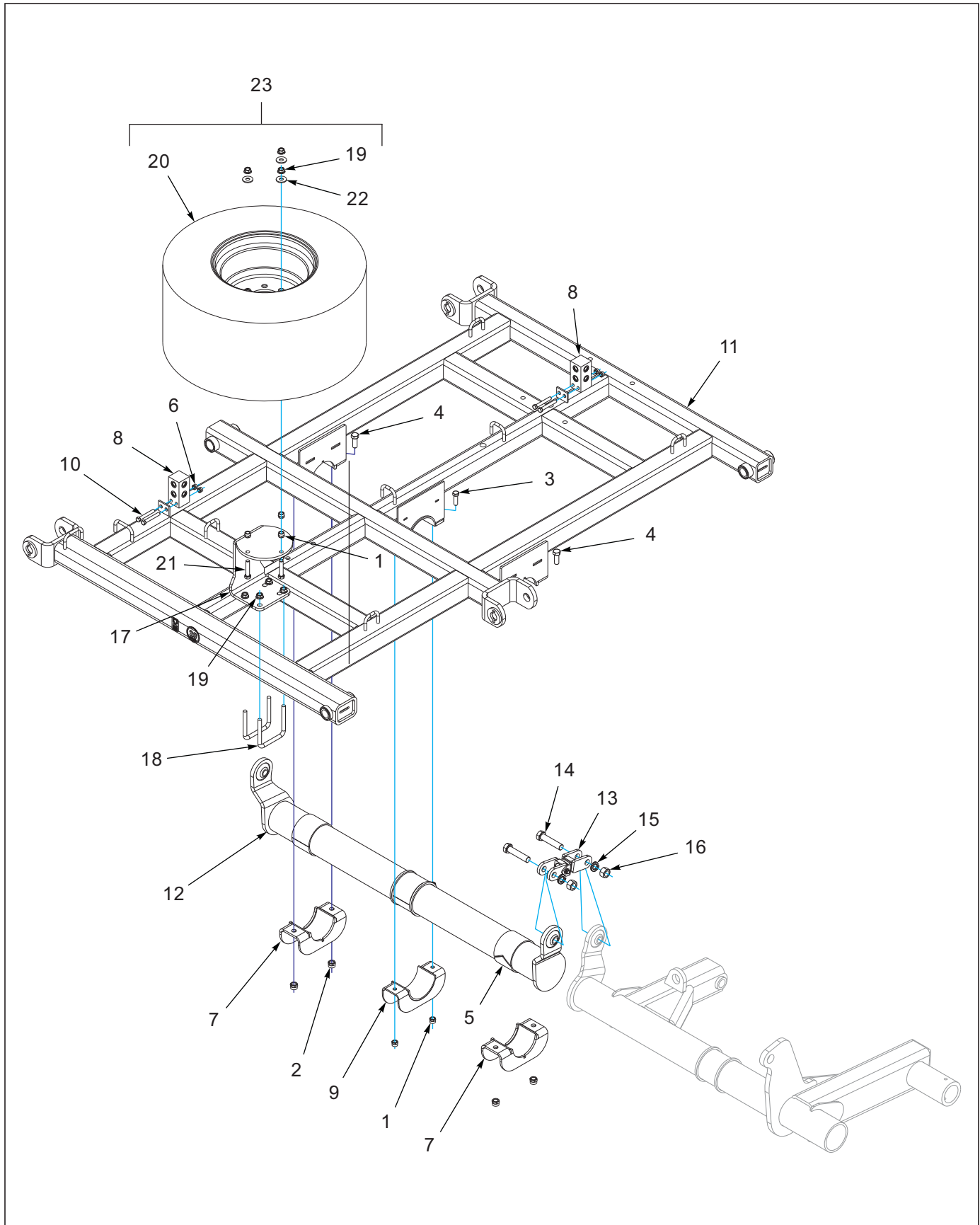


Figure 1-6: Frame Assembly Center Mid 1710-64'

Frame Assembly Center Mid 1710-64'

ITEM	PART NO.	DESCRIPTION	QTY.
	211432	FRAME ASSY, MID CENTER	
1	1-512-010005-13	NUT,HEX SLFLKG GRB 5/8-11	2
2	1-512-010005-15	NUT,HEX,SLFLKG GRB 3/4-10	4
3	1-654-010059-05	SCREW,HEX CAP,5/8-11UNCX2 GR5	2
4	1-654-010061-05	SCREW,HHC,3/4-10UNCX2,GR5,ZP	4
5	140519	BEARING, UHMW 4IN	3
6	1-512-010005-09	NUT,HEX,SLFLKG, 1/2-13 GRB	4
7	141234	BEARING CAP, LIFT BLUE	2
8	2-474-010022	MANIFOLD ASSY, HYDR 8 HOSE	2
9	179691	BEARING CAP, LIFT	1
10	1-654-010055-11	SCREW,HX CP 1/2-13UNCX3-1/2	4
11	214532	WLDMT, MID CENTER FRAME	1
12	205440	WLDMT, CENTER IDLER LIFT	1
13	208750	TURNBUCKLE ASSY (SEE PAGE 1-28)	1
14	141777	SCREW HX CP 1-8UNCX4-1/2 GR5	2
15	1-861-010034-21	WASHER, LKG HEL SPRG 1IN	2
16	1-512-010007-14	NUT, HEX 1-8 GR2 ZP	2
17	216115	MOUNT, TIRE 8-BOLT	1
18	6-102-010009	U-BOLT RIGID GA WHEEL	2
19	29SFFL 5811	NUT,FLANGE HEAD LOCK5/8-11UNC	7
20	203016	TIRE & WHEEL ASSY, 480/45R17AG (SEE PAGE 1-55)	1
21	164147	SCREW HX CAP5/8-11X3 2-1/2THD	3
22	1-861-010032-19	WASHER, FLAT 5/8 W ZP/CD	3
23	216114	SPARE ASSY, 480 TIRE 8-BOLT (INCLUDES ITEMS 1, 17-22)	

ILLUSTRATED PARTS LIST

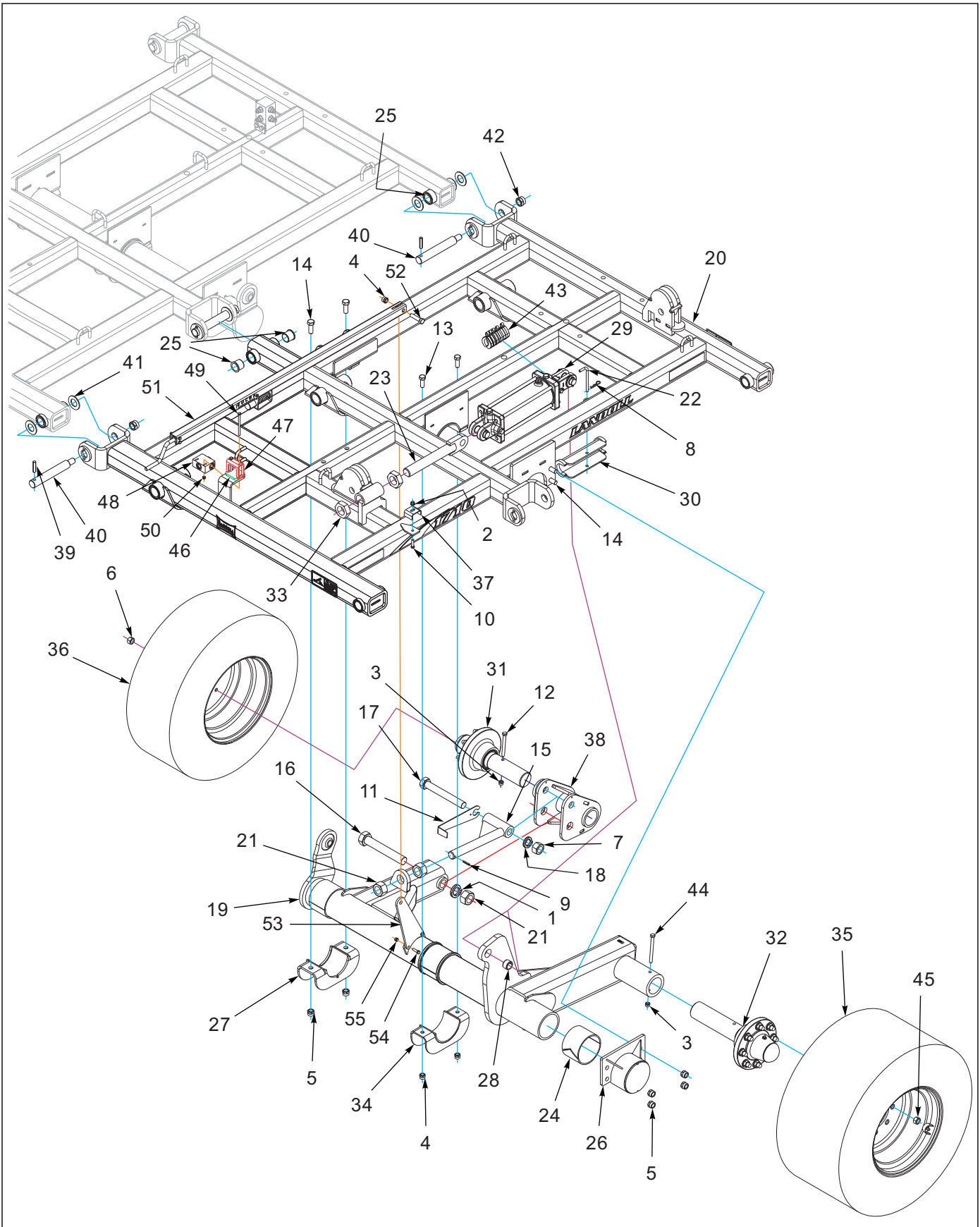


Figure 1-7: Frame Assembly Center LH 1710-64'

Frame Assembly Center LH 1710-64'

ITEM	PART NO.	DESCRIPTION	QTY.
--	211433	FRAME ASSY, LH CENTER (SHOWN)	
--	211434	FRAME ASSY, RH CENTER (NOT SHOWN)	
1	1-1/2SLW	1-1/2 WASHER SPLIT LOCK ZP	1
2	1-510-010001	NUT, 3/8-16 FLANGE LOCK	1
3	1-512-010005-09	NUT,HEX,SLFLKG, 1/2-13 GRB	2
4	1-512-010005-13	NUT,HEX SLFLKG GRB 5/8-11	3
5	1-512-010005-15	NUT,HEX,SLFLKG GRB 3/4-10	14
6	102600	NUT,WHEEL BOLT, 5/8	8
7	1-512-010007-16	NUT,HEX 1-1/4-7, ZP	1
8	1-557-010403	HAIRPIN 1/8	1
9	1-647-010004217	SPRING PIN, SLOTTED 1/4X1-1/2	1
10	1-654-010051-07	SCREW,HEX CAP,3/8-16UNCX1-1/2	1
11	207639	SPINDLE ADJ GAUGE	1
12	1-654-010055-14	SCREW,HX CP,1/2-13UNCX4-1/2G5	1
13	1-654-010059-05	SCREW,HEX CAP,5/8-11UNCX2 GR5	2
14	1-654-010061-05	SCREW,HHC,3/4-10UNCX2,GR5,ZP	6
15	207635	WLDMT, SPINDLE ADJ ROD	1
16	1-654-010076-24	SCREW HEX CAP 1-1/2-6X9.5 GR8	1
17	100808	SCREW CP HXHD 1-1/4-7X9-1/2G8	1
18	100825	WASHER, LKG, HLCL SPR 1-1/4	1
19	214543	WLDMT, LH CENTER LIFT (SHOWN)	1
19	214544	WLDMT, RH CENTER LIFT (NOT SHOWN)	1
20	214533	WLDMT, LH CENTER FRAME (SHOWN)	1
20	214534	WLDMT, RH CENTER FRAME (NOT SHOWN)	1
21	102351	NUT,HEX 1-1/2-6UNC GR2 ZP	3
22	104358	L PIN,CYL STOP	1
23	167617	ROD, CYLINDER ANCHOR	1
24	140519	BEARING, UHMW 4IN	3
25	140599	BEARING, FLANGE 1-1/2	6
26	141209	BEARING CAP, LIFT	1
27	141234	BEARING CAP, LIFT BLUE	1
28	2-150-010174	BUSHING,1-5/8X1-1/4X1	1
29	184784	CYLINDER, 4-1/2 X 10, REPHASE (SEE PAGE 1-124)	1
30	193844	LOCKOUT WLDMT 2" ROD X 10	1
31	156972	HUB & SPINDLE ASSY, 8 BOLT (BEFORE 02-01-2020) (SEE PAGE 1-45)	1
31	223440	ASSY, 8 BOLT HUB & SPINDLE (AFTER 02-01-2020) (SEE PAGE 1-47)	1
32	212840	HUB/SPINDLE ASSY 3.25", 8 BOLT (SEE PAGE 1-49)	1
33	155716	NUT HX JAM 1-3/4-5UNC GR2	2
34	179691	BEARING CAP, LIFT	1
35	203016	TIRE & WHEEL ASSY, 480/45R17AG (SEE PAGE 1-55)	1
36	171010	TIRE & WHEEL ASSY,380/55RX16.5 (BEFORE 8/16/2019) (SEE PAGE 1-53)	1
36	221272	BKT 380 TIRE&WHL ASSY POS 1.5" (AFTER 8/16/2019) (SEE PAGE 1-53)	1
37	2-181-010001	HOSE CLAMP	1
38	207626	WLDMT, SPINDLE ADJUSTMENT, LH (SHOWN)	1
38	207640	WLDMT, SPINDLE ADJUSTMENT, RH (NOT SHOWN)	1
39	144115	PIN, GROOVED ALLOY 1/2X2-1/4	3
40	202277	PIN, HINGE 1.50 x 8-1/4	3
41	141266	WASHER, THRUST 1-1/2	6
42	1-512-010005-19	NUT 1-8 HEX SLF-LOCKING GRB	3

ILLUSTRATED PARTS LIST

Frame Assembly Center LH 1710-64'

ITEM	PART NO.	DESCRIPTION	QTY.
43	209432	KIT, ø2 ROD CYL DEPTH STOP	1
44	1-654-010055-16	SCREW HEX CAP 1/2-13X5-1/2GR5	1
45	171773	NUT, HEX FLANGE 3/4-16 GR5 ZP	8
46	165257	PAD, SLIDE (AFTER 11-1-2018)	1
47	165265	GUIDE, DEPTH STOP (AFTER 11-1-2018)	1
48	203467	VALVE-LIMIT, STROKE (AFTER 11-1-2018)	1
49	171556	SCREW,HEX CP,5/16-18UNCX5-1/2 (AFTER 11-1-2018)	2
50	1-512-010005-03	NUT HEX SLFLKG GRB 5/16-18 (AFTER 11-1-2018)	2
51	214615	ASSY, DEPTH STOP 59" (AFTER 11-1-2018) (SEE PAGE 1-19)	1
52	1-654-010059-07	SCREW HX CP 5/8-11UNCX2-1/2G5 (AFTER 11-1-2018)	1
53	164124	MOUNT, DEPTH CONTROL (AFTER 11-1-2018)	1
54	1-654-010051-06	SCREW,HEX CAP 3/8-16UNCX1-1/4 (AFTER 11-1-2018)	2
55	1-512-010005-05	NUT, HEX, SLFLKG GRB 3/8-16 (AFTER 11-1-2018)	2

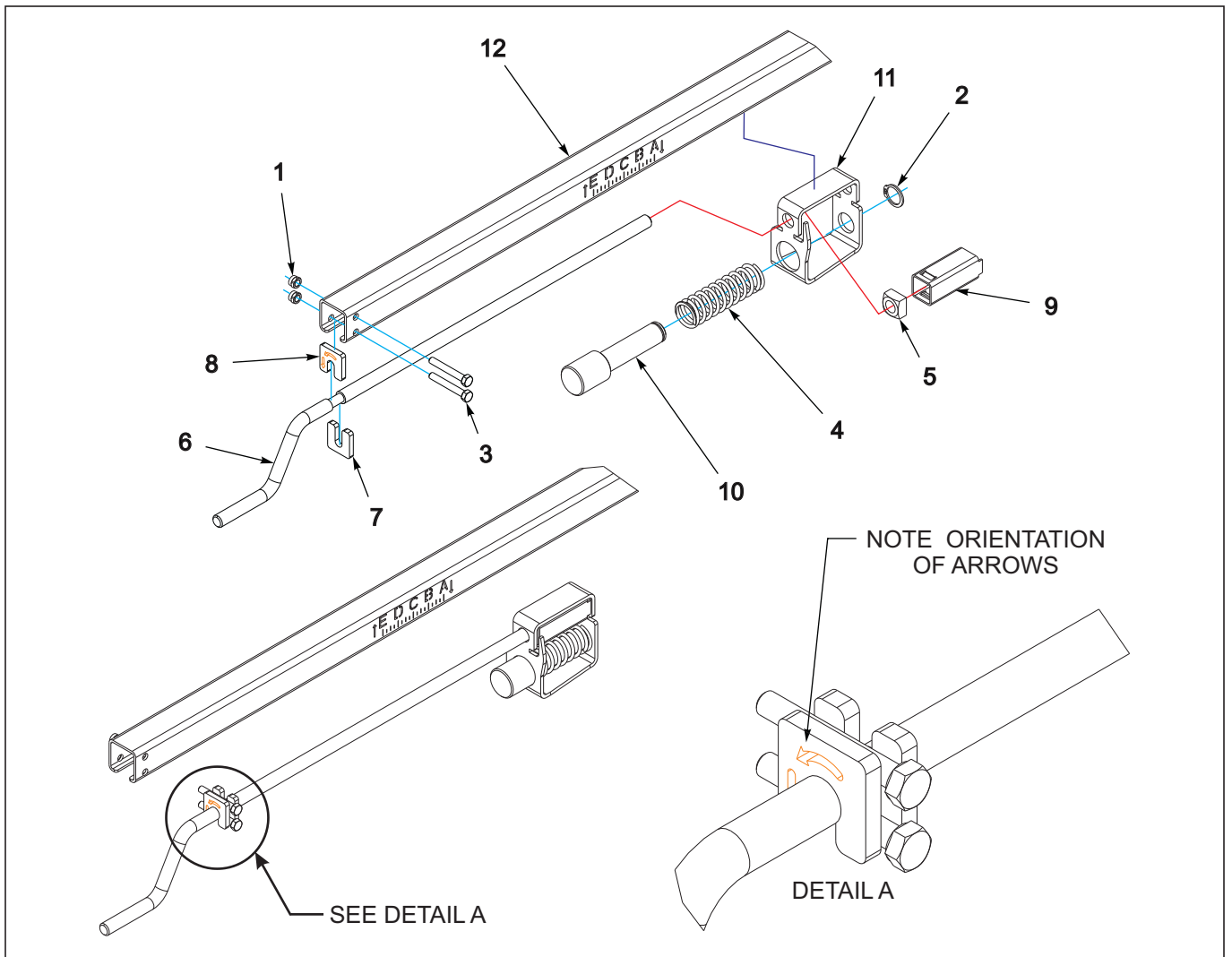


Figure 1-8: Depth Stop Assembly

Depth Stop Assembly

ITEM	PART NO.	DESCRIPTION	QTY.
--	216127	"ASSY, DEPTH STOP 41" (1760-35')	
--	214615	ASSY, DEPTH STOP 59" (1770-40', 1790-52' & 1710-64')	
1	1-512-010005-03	NUT HEX SLFLKG GRB 5/16-18	2
2	1-630-010021-03	RING, RETAINING 1.0 HD	1
3	108628	SCREW HX CP 5/16-18UNCX2-1/4	2
4	122917	SPRING COMPRESSION, 4-1/2 MONO	1
5	144048	NUT, SQ 5/8-11 GR5	1
6	165258	HANDLE, DEPTH STOP	1
7	165259	STOP, HANDLE LONG	1
8	165260	STOP, HANDLE SHORT	1
9	166717	SQ TUBE, FLOATING	1
10	174708	PIN, DEPTH STOP	1
11	174709	SQ TUBE, DEPTH STOP	1
12	216128	SQ TUBE, DEPTH STOP 41" (USED WITH 216127)	1
12	214616	SQ TUBE, DEPTH STOP 59" (USED WITH 214615)	

Hitch Assemblies

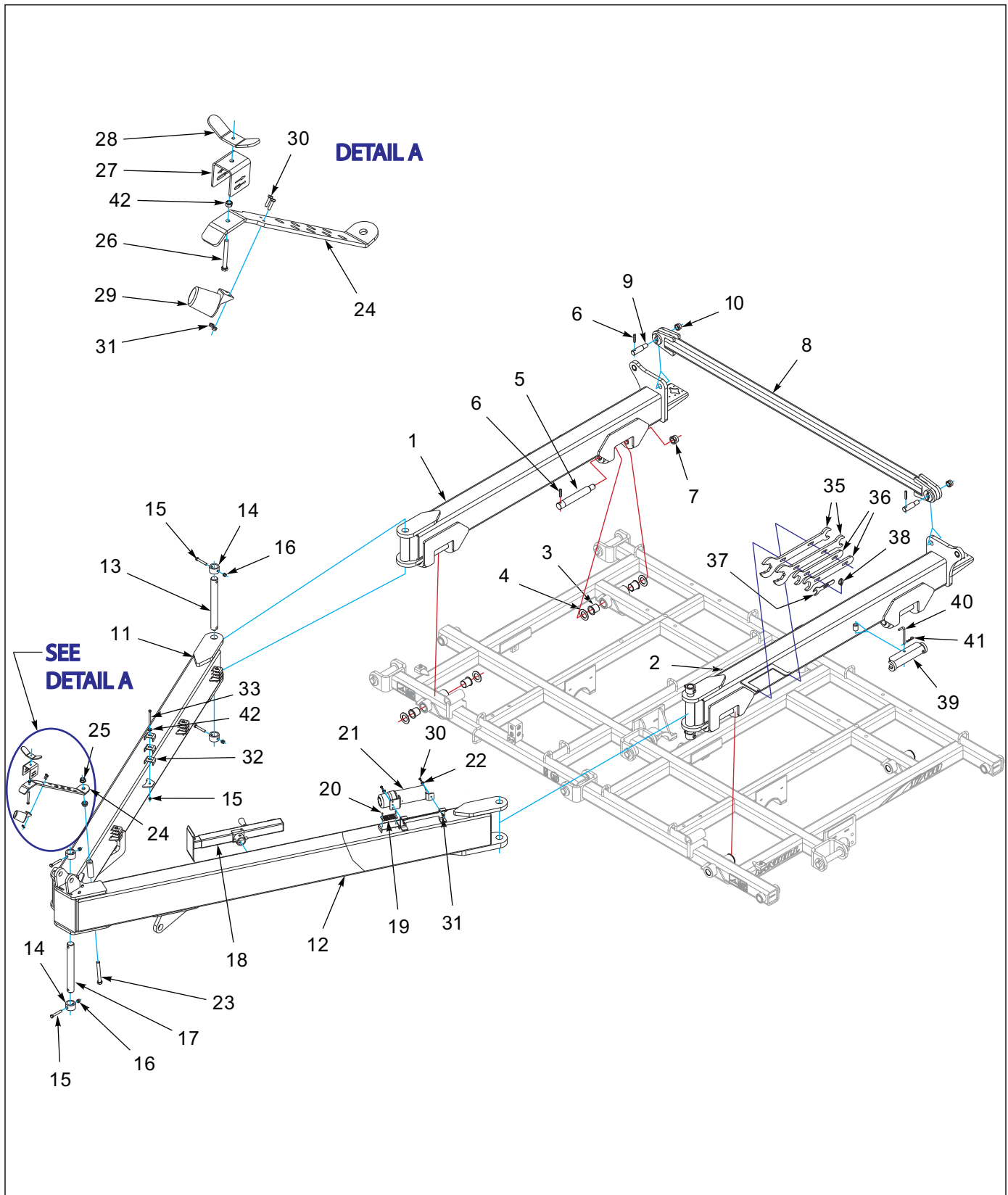


Figure 1-9: Hitch Assembly 1760-35'

Hitch Assembly 1760-35'

ITEM	PART NO.	DESCRIPTION	QTY.
1	209479	WLDMT, SPANNER HITCH, RH	1
2	209478	WLDMT, SPANNER HITCH, LH	1
3	164533	BEARING, FLANGE 1-3/4	8
4	164539	WASHER THRUST 1-3/4	8
5	202279	PIN, HINGE Ø1.75 X 10	4
6	144115	PIN, GROOVED ALLOY 1/2X2-1/4	6
7	101385	NUT,HEX SLFLKG,1-1/4-7 GRB	4
8	208775	WLDMT, SPANNER BEAM SUPT	1
9	193754	PIN, 1-1/4 X 2-3/4, STEP	2
10	1-512-010005-19	NUT 1-8 HEX SLF-LOCKING GRB	2
11	209471	WLDMT, HITCH BEAM, RH	1
12	209470	WLDMT, HITCH BEAM, LH	1
13	209494	PIN, HITCH Ø1.75 X 15-3/4	2
14	206934	RD TUBE, HITCH PIN COLLAR	6
15	1-654-010055-10	SCREW HEX CAP 1/2-13X3-1/4GR5	6
16	1-512-010005-09	NUT,HEX,SLFLKG, 1/2-13 GRB	6
17	207688	PIN HITCH Ø1.75 X 14-7/8	1
18	140647	JACK, SIDE WIND 7000/8000 LB (SEE PAGE 1-31)	1
19	1-573-010006	PLACARD, NAME	1
20	156010	RIVET, BLIND .156X1/2 GRIP	2
21	142753	MANUAL HOLDER	1
22	1-861-010032-07	WASHER,FLAT 1/4 ZP	2
23	1-654-010061-19	SCREW,HX CP 3/4-10UNCX7 GR5	1
24	141246	BRACKET, HOSE HOLDER	1
25	103841	NUT,FLG,LNK,SERRATED 3/4-10UNC	2
26	141807	SCREW 3/8-16UNCX3-1/2 ALLTHRD	1
27	141247	CLAMP, HOSE HOLDER	1
28	141249	WING NUT, HOSE HOLDER	1
29	2-368-010287	HARNESS, STOR-A-WAY	1
30	1-654-010047-06	SCREW,HX CP 1/4-20UNCX1 GR5	4
31	1-512-010005-01	NUT,HEX,SLFLKG GRB 1/4-20	4
32	2-181-010001	HOSE CLAMP	8
33	1-654-010051-13	SCREW,HX CP,3/8-16UNCX3,GR5	4
34	1-512-010005-05	NUT, HEX, SLFLKG GRB 3/8-16	6
35	141109	WRENCH, ADJUSTMENT	2
36	208780	WRENCH, 2-1/4"	2
37	208808	WRENCH, TURNBUCKLE	1
38	70239854	PIN QUICK HITCH	1
39	141274	LOCKOUT, 1-3/8 ROD X 10	1
40	104358	L PIN,CYL STOP	1
41	1-557-010403	HAIRPIN 1/8	1
42	1-861-010032-11	WASHER, FLAT 3/8 W ZP/CD	4

ILLUSTRATED PARTS LIST

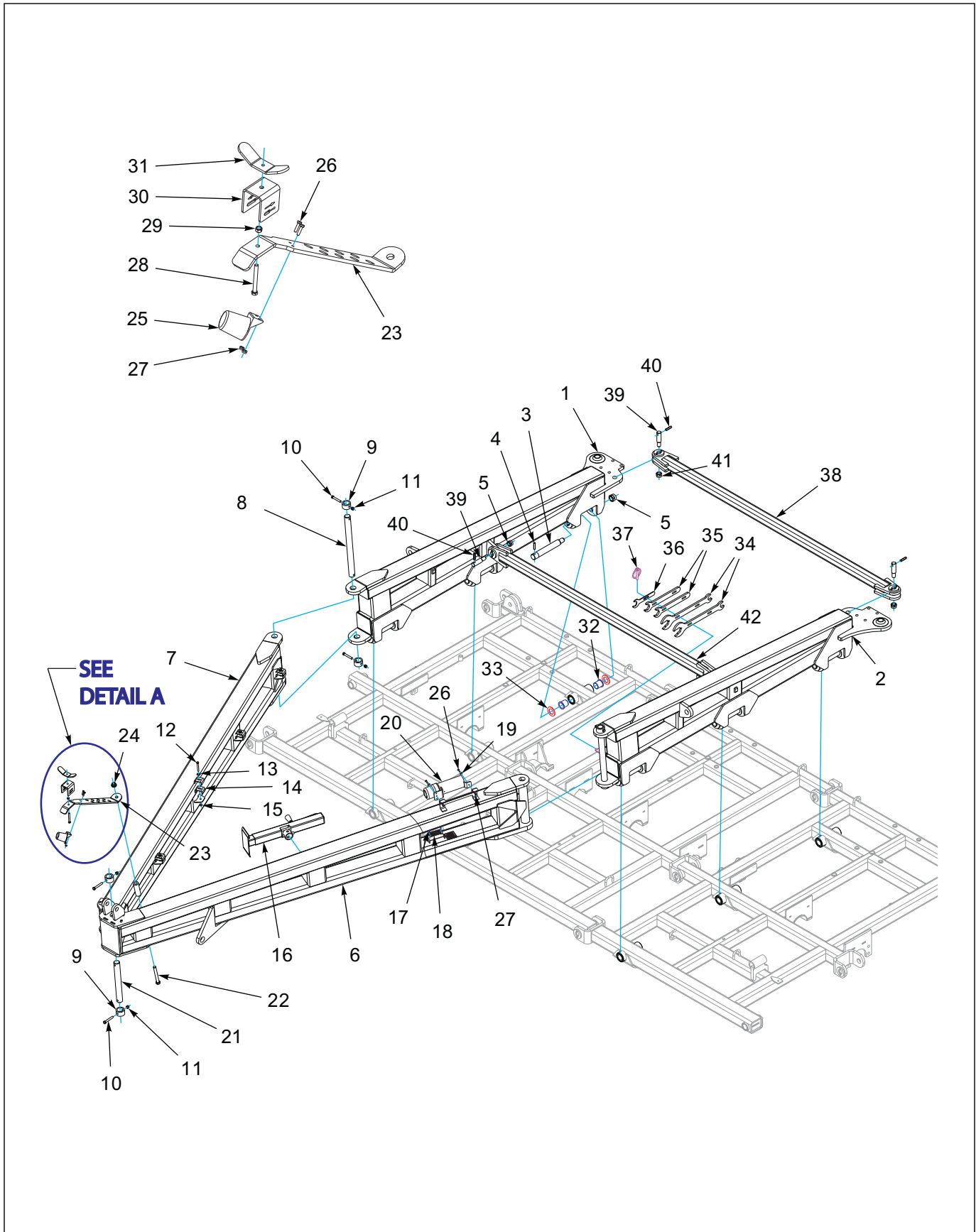


Figure 1-10: Hitch Assembly 1770-40', 1790-52' & 1710-64'

Hitch Assembly 1770-40', 1790-52' & 1710-64'

ITEM	PART NO.	DESCRIPTION	QTY.	
--	----	HITCH ASSEMBLY (1770-40' & 1790-52')	*	
--	----	HITCH ASSEMBLY (1710-64')	*	
1	207625	WLDMT, SPANNER HITCH, RH	1	1
2	205434	WLDMT, SPANNER HITCH, LH	1	1
3	202279	PIN, HINGE Ø1.75 X 10	6	6
4	144115	PIN, GROOVED ALLOY 1/2X2-1/4	6	6
5	101385	NUT,HEX SLFLKG,1-1/4-7 GRB	6	6
6	206785	WLDMT, HITCH BEAM, LH	1	1
7	206786	WLDMT, HITCH BEAM, RH	1	1
8	205465	PIN, HITCH Ø1.75 X 22-3/4	2	2
9	206934	RD TUBE, HITCH PIN COLLAR	6	6
10	1-654-010055-10	SCREW HEX CAP 1/2-13X3-1/4GR5	6	6
11	1-512-010005-09	NUT,HEX,SLFLKG, 1/2-13 GRB	6	6
12	1-654-010051-13	SCREW,HX CP,3/8-16UNCX3,GR5	4	4
13	1-861-010032-11	WASHER, FLAT 3/8 W ZP/CD	4	4
14	2-181-010001	HOSE CLAMP	8	8
15	1-512-010005-05	NUT, HEX, SLFLKG GRB 3/8-16	4	4
16	140647	JACK, SIDE WIND 7000/8000 LB (SEE PAGE 1-31)	1	1
17	156010	RIVET, BLIND .156X1/2 GRIP	2	2
18	1-573-010006	PLACARD, NAME	1	1
19	1-861-010032-07	WASHER,FLAT 1/4 ZP	2	2
20	142753	MANUAL HOLDER	1	1
21	207688	PIN HITCH Ø1.75 X 14-7/8	1	1
22	1-654-010061-19	SCREW,HX CP 3/4-10UNCX7 GR5	1	1
23	141246	BRACKET, HOSE HOLDER	1	1
24	103841	NUT,FLG,LNK,SERRATED 3/4-10UNC	1	1
25	2-368-010287	HARNESS, STOR-A-WAY	1	1
26	1-654-010047-06	SCREW,HX CP 1/4-20UNCX1 GR5	4	4
27	1-512-010005-01	NUT,HEX,SLFLKG GRB 1/4-20	4	4
28	141807	SCREW 3/8-16UNCX3-1/2 ALLTHRD	1	1
29	1-512-010007-07	NUT, HEX 3/8-16 ZP	1	1
30	141247	CLAMP, HOSE HOLDER	1	1
31	141249	WING NUT, HOSE HOLDER	1	1
32	164533	BEARING, FLANGE 1-3/4	12	12
33	164539	WASHER THRUST 1-3/4	12	12
34	141109	WRENCH, ADJUSTMENT	2	2
35	208780	WRENCH, 2-1/4"	2	2
36	208808	WRENCH, TURNBUCKLE	1	1
37	70239854	PIN QUICK HITCH	1	1
38	208775	WLDMT, SPANNER BEAM SUPT	1	1
39	193754	PIN, 1-1/4 X 2-3/4, STEP	2	4
40	144115	PIN, GROOVED ALLOY 1/2X2-1/4	2	4
41	1-512-010005-19	NUT 1-8 HEX SLF-LOCKING GRB	2	4
42	214569	WLDMT, SPANNER BEAM SUPT	--	1

ILLUSTRATED PARTS LIST

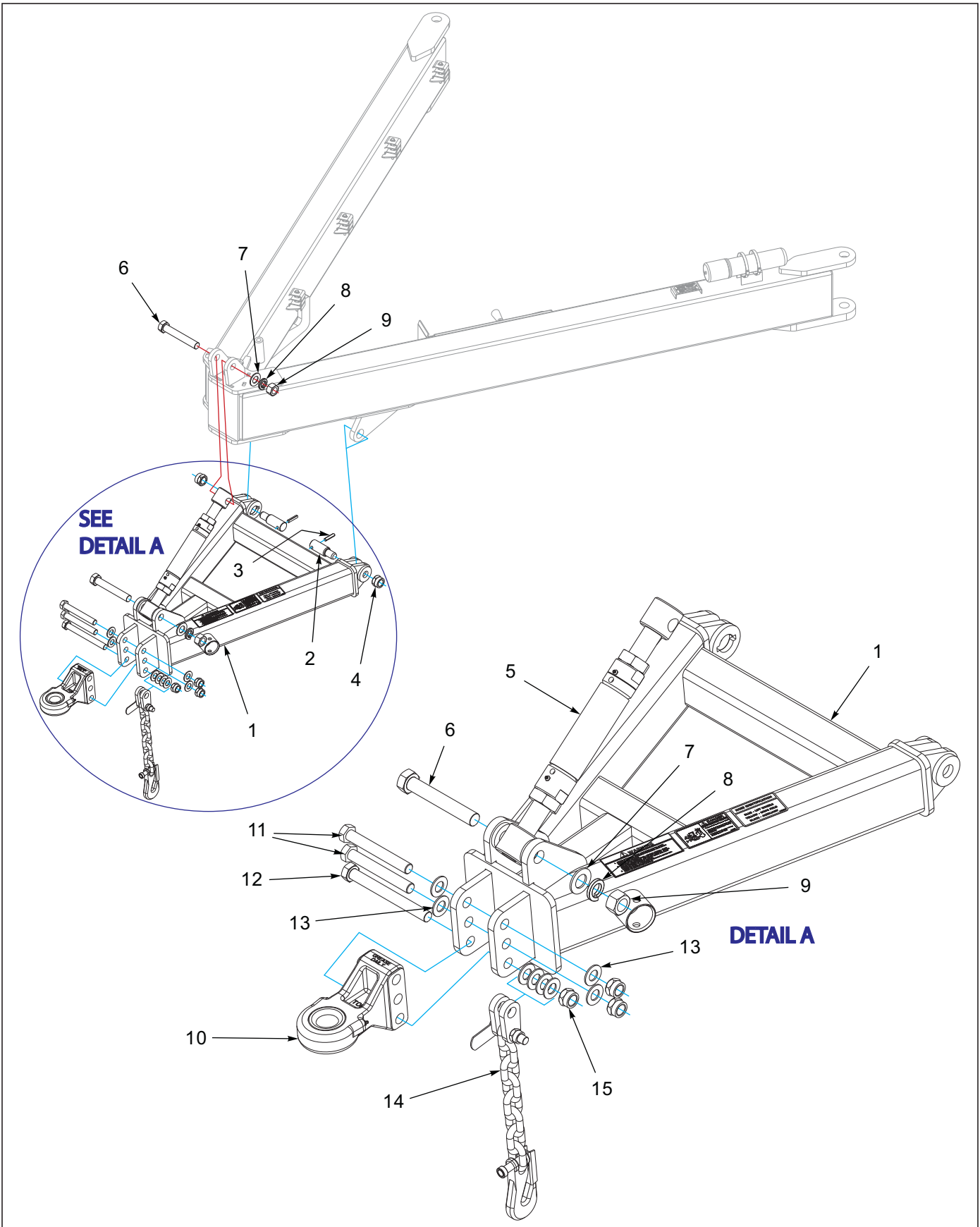


Figure 1-11: Hitch Leveler Assembly 1760-35'

Hitch Leveler Assembly 1760-35'

ITEM	PART NO.	DESCRIPTION	QTY.
--	209473	HITCH ASSY, CAT IV 1760	
--	209472	HITCH ASSY, CAT III 1760	
1	209482	WLDMT, LEVELER HITCH	1
2	207691	PIN, HITCH Ø1.75 X 2-3/4	2
3	144115	PIN, GROOVED ALLOY 1/2X2-1/4	2
4	101385	NUT,HEX SLFLKG,1-1/4-7 GRB	2
5	207681	RADIUS ROD ASSY 1-3/4 X 24 (SEE PAGE 1-29)	1
6	1-654-010123-01	SCREW,CAP,SPEC.,1-1/4-7X8G8	2
7	116100	WASHER 1-1/4 NAR FL ZP/CD	2
8	100825	WASHER, LKG, HLCL SPR 1-1/4	2
9	1-512-010007-16	NUT,HEX 1-1/4-7 GR2 ZP	2
10	189451	HITCH, BALL CAT IV 3-HOLE (SHOWN 209473)	1
10	177030	HITCH, BALL CAT III (NOT SHOWN 209472) (SEE PAGE 1-30)	1
11	153696	BOLT, HITCH CLEVIS	2
12	172581	SCREW HEX CAP 1-8UNCX9.5 GR8	1
13	1-861-010032-24	WASHER FL 1IN NARROW ZP	8
14	156950	SAFETY CHAIN 41,000 LBS	1
15	1-512-010005-19	NUT 1-8 HEX SLF-LOCKING GRB	3

ILLUSTRATED PARTS LIST

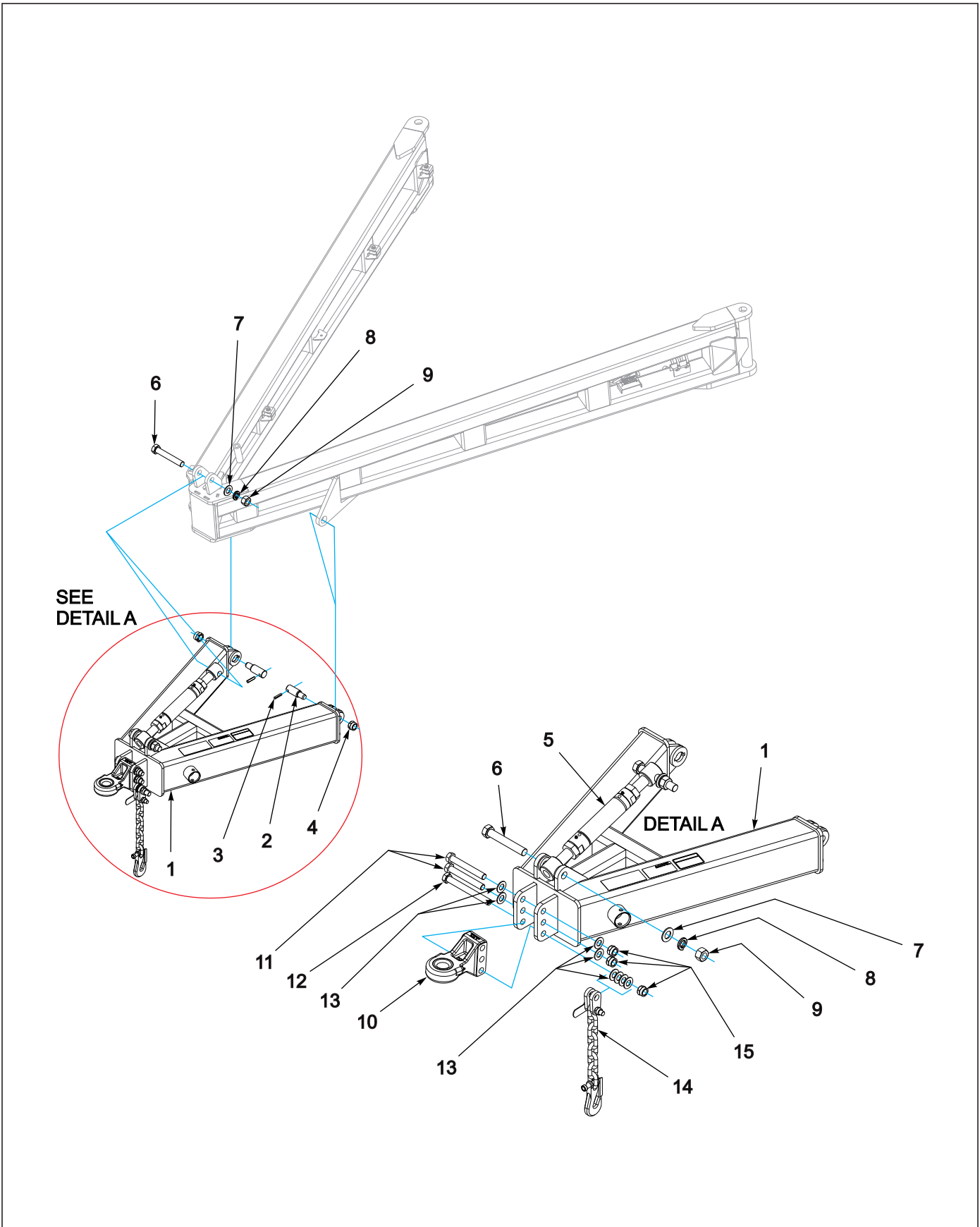


Figure 1-12: Hitch Leveler Assembly 1770-40', 1790-52' & 1710-64'

Hitch Leveler Assembly 1770-40', 1790-52' & 1710-64'

ITEM	PART NO.	DESCRIPTION	QTY.
--	205470	HITCH ASSY CAT IV 1700	
--	205471	HITCH ASSY CAT V 1700	
1	205472	WLDMT, LEVELER HITCH	1
2	207691	PIN, HITCH Ø1.75 X 2-3/4	2
3	144115	PIN, GROOVED ALLOY 1/2X2-1/4	2
4	101385	NUT,HEX SLFLKG,1-1/4-7 GRB	2
5	207681	RADIUS ROD ASSY 1-3/4 X 24 (SEE PAGE 1-29)	1
6	1-654-010123-01	SCREW,CAP,SPEC.,1-1/4-7X8G8	2
7	116100	WASHER 1-1/4 NAR FL ZP/CD	2
8	100825	WASHER, LKG, HLCL SPR 1-1/4	2
9	1-512-010007-16	NUT,HEX 1-1/4-7, ZP	2
10	189451	HITCH, BALL CAT IV 3-HOLE (SHOWN 205470)	1
10	177032	HITCH, BALL CAT V (NOT SHOWN 205471) (SEE PAGE 1-30)	1
11	153696	BOLT, HITCH CLEVIS	2
12	172581	SCREW HEX CAP 1-8UNCX9.5 GR8	1
13	1-861-010032-24	WASHER FL 1IN NARROW ZP	8
14	156950	SAFETY CHAIN 41,000 LBS	1
15	1-512-010005-19	NUT 1-8 HEX SLF-LOCKING GRB	3

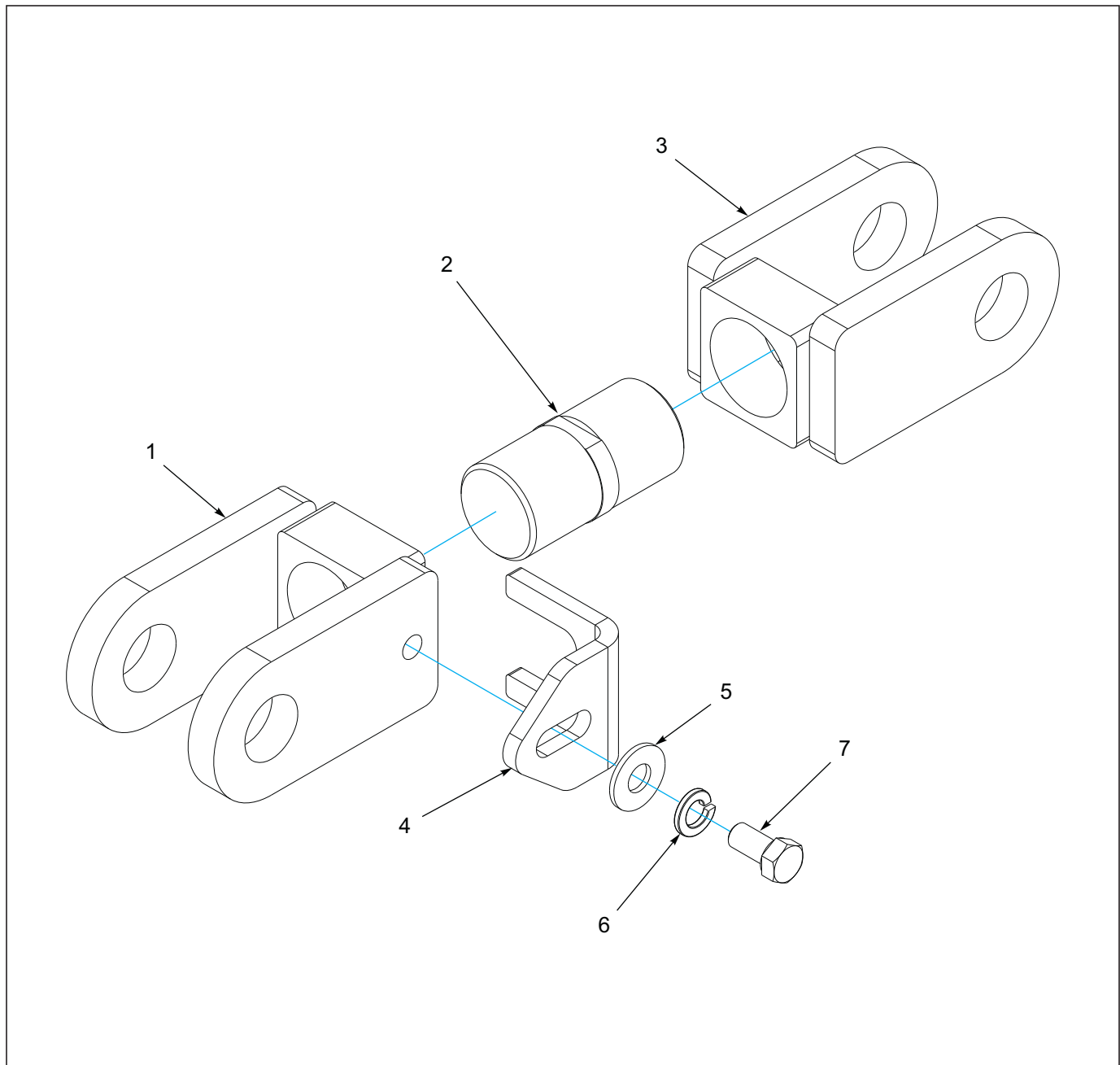


Figure 1-13: Turnbuckle Assembly

Turnbuckle Assembly

ITEM	PART NO.	DESCRIPTION	QTY.
--	208750	TURNBUCKLE ASSY	
1	208751	LH SCREW WLDMT TURNBUCKLE	1
2	208752	RH SCREW WLDMT TURNBUCKLE	1
3	208752	RH SCREW WLDMT TURNBUCKLE	1
4	208758	TURNBUCKLE LOCK	1
5	1-861-010032-11	WASHER, FLAT 3/8 W ZP/CD	1
6	1-861-010034-11	WASHER, LKG HLCL SPR, 3/8	1
7	1-654-010051-03	SCREW,HEX CAP,3/8-16UNCX3/4G5	1

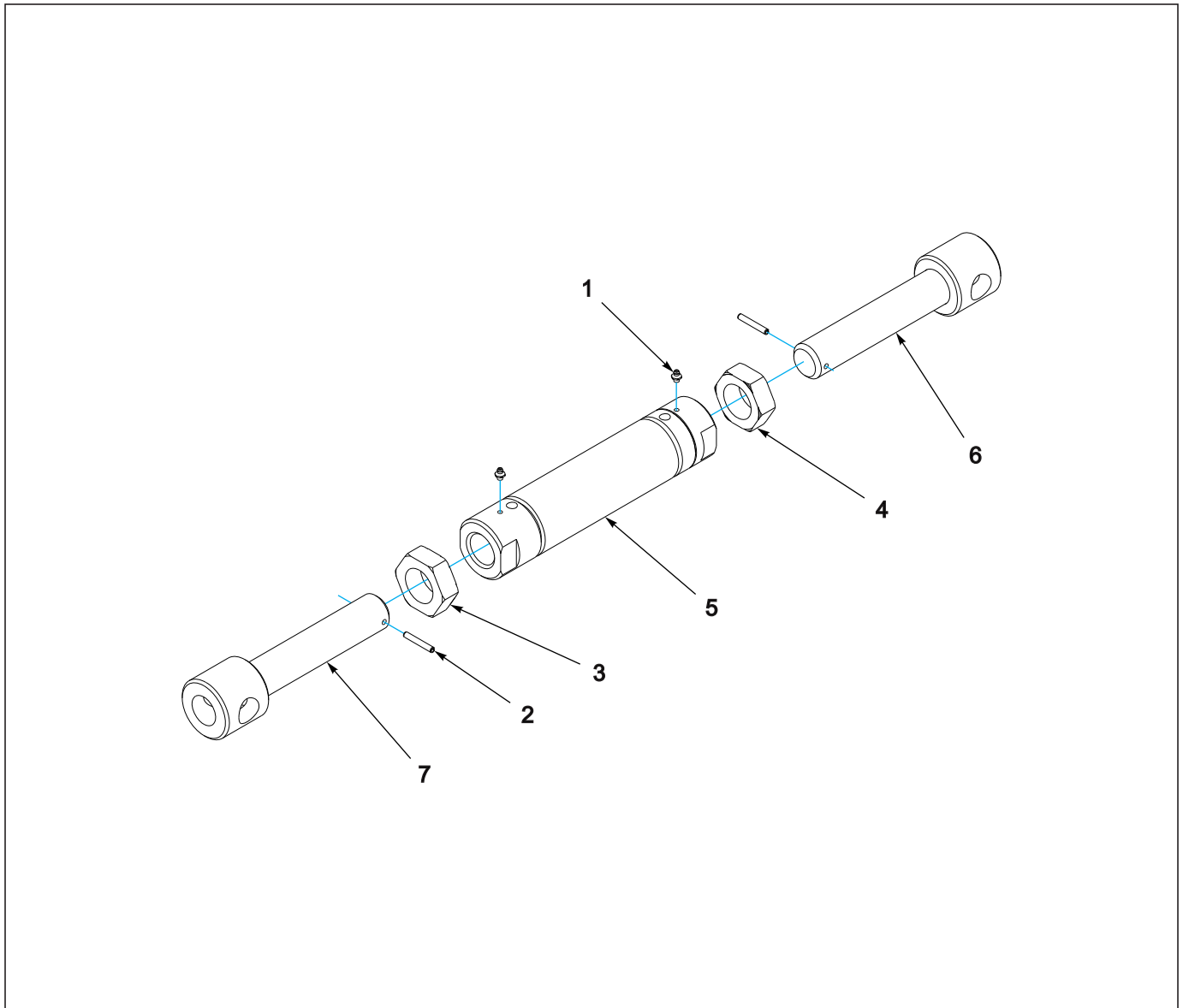


Figure 1-14: Radius Rod Assembly

Radius Rod Assembly

ITEM	PART NO.	DESCRIPTION	QTY.
--	207681	RADIUS ROD ASSY 1-3/4 X 24	
1	1-298-010001-1	ZERK FITTING 1/4 SAE	2
2	103-0805	PIN, ROLL 1/4X1-3/4LG	2
3	155716	NUT HX JAM 1-3/4-5UNC GR2	1
4	155717	NUT HX JAM LH 1-3/4-5UNC GR2	1
5	207682	WLDMT, 1-3/4 RADIUS ROD TUBE	1
6	207683	SCREW WLDMT LH 1-3/4 RAD ROD	1
7	207684	SCREW WLDMT RH 1-3/4 RAD ROD	1

ILLUSTRATED PARTS LIST

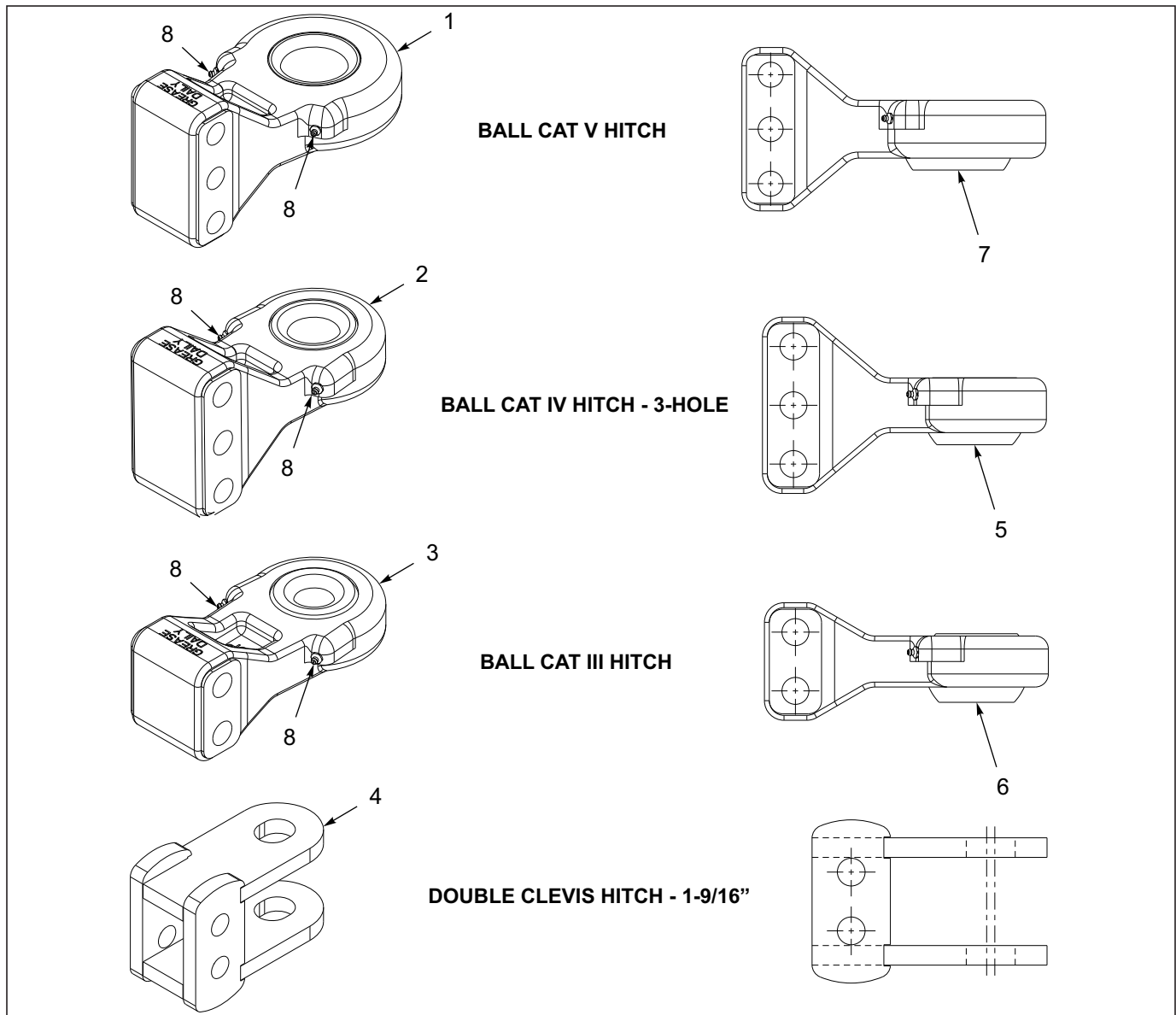


Figure 1-15: Ball & Clevis Hitches

Ball & Clevis Hitches

ITEM	PART NO.	DESCRIPTION	QTY.
1	177032	HITCH, BALL V	1
2	189451	HITCH, BALL CAT IV, 3-HOLE	1
3	177030	HITCH, BALL CAT III	1
4	161550	HITCH CLEVIS, DOUBLE 1-9/16"	1
5	189454	BUSHING, SPHERICAL, 2" ID (Standard)	1
5	189453	BUSHING, SPHERICAL 1-1/2 ID	1
6	189453	BUSHING, SPHERICAL, 1-1/2" ID (Standard)	1
6	189454	BUSHING, SPHERICAL 2 ID	1
7	189468	BUSHING, SPHERICAL, 2-3/4" ID (Standard)	1
7	189467	BUSHING, SPHERICAL 2 ID	1
8	1-298-010001-1	ZERK FITTING 1/4 SAE	1

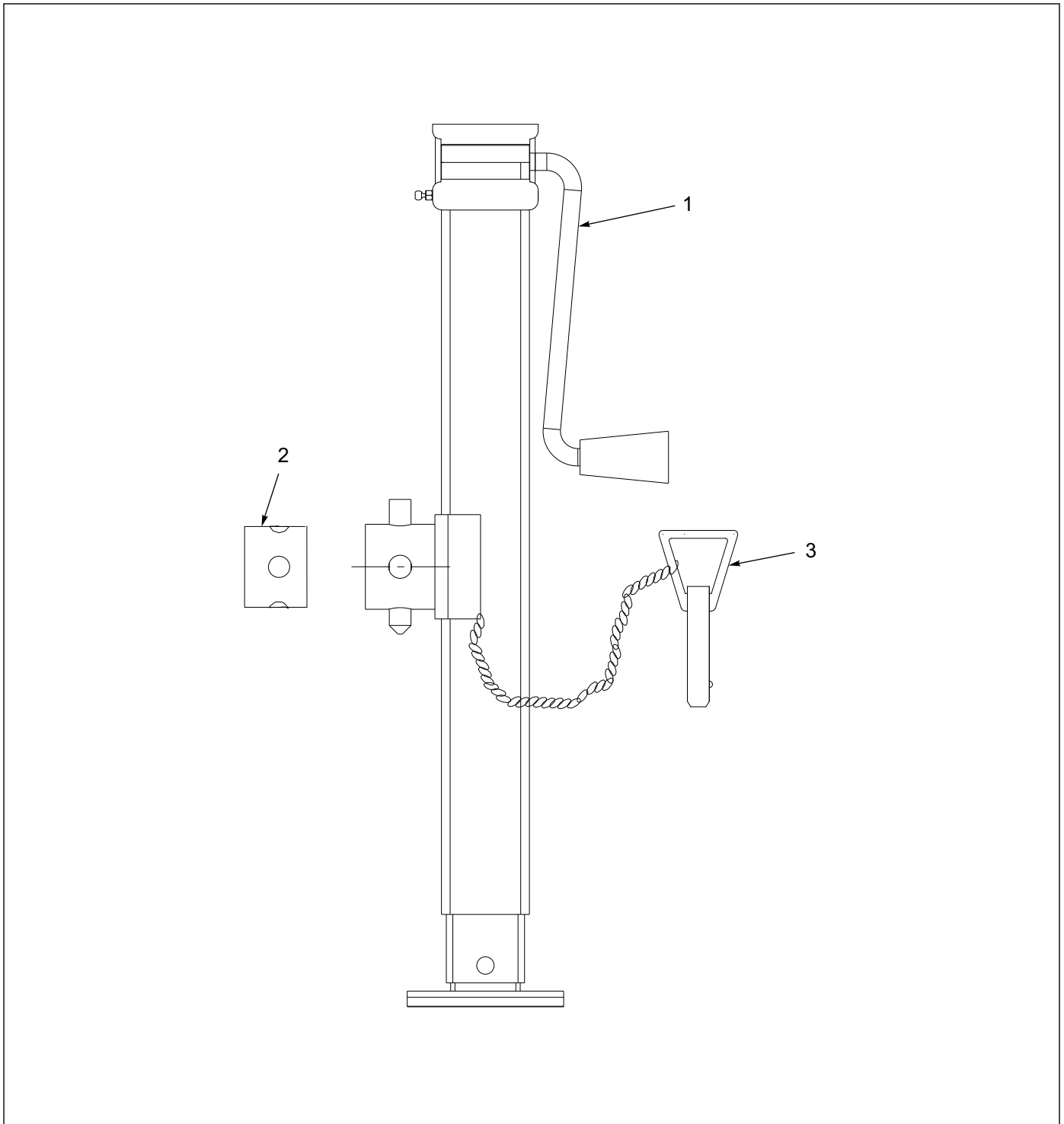


Figure 1-16: 7,000 Lb. Sidewind Jack Assembly

7,000 Lb. Sidewind Jack Assembly

ITEM	PART NO.	DESCRIPTION	QTY.
--	140647	JACK, SIDEWIND 7000LB	
1	500171	HANDLE FOR JACK	1
2	141250	TUBE, RD, JACK MOUNT	1
3	142194	5/8" PIN	1

Wing Frame Assemblies

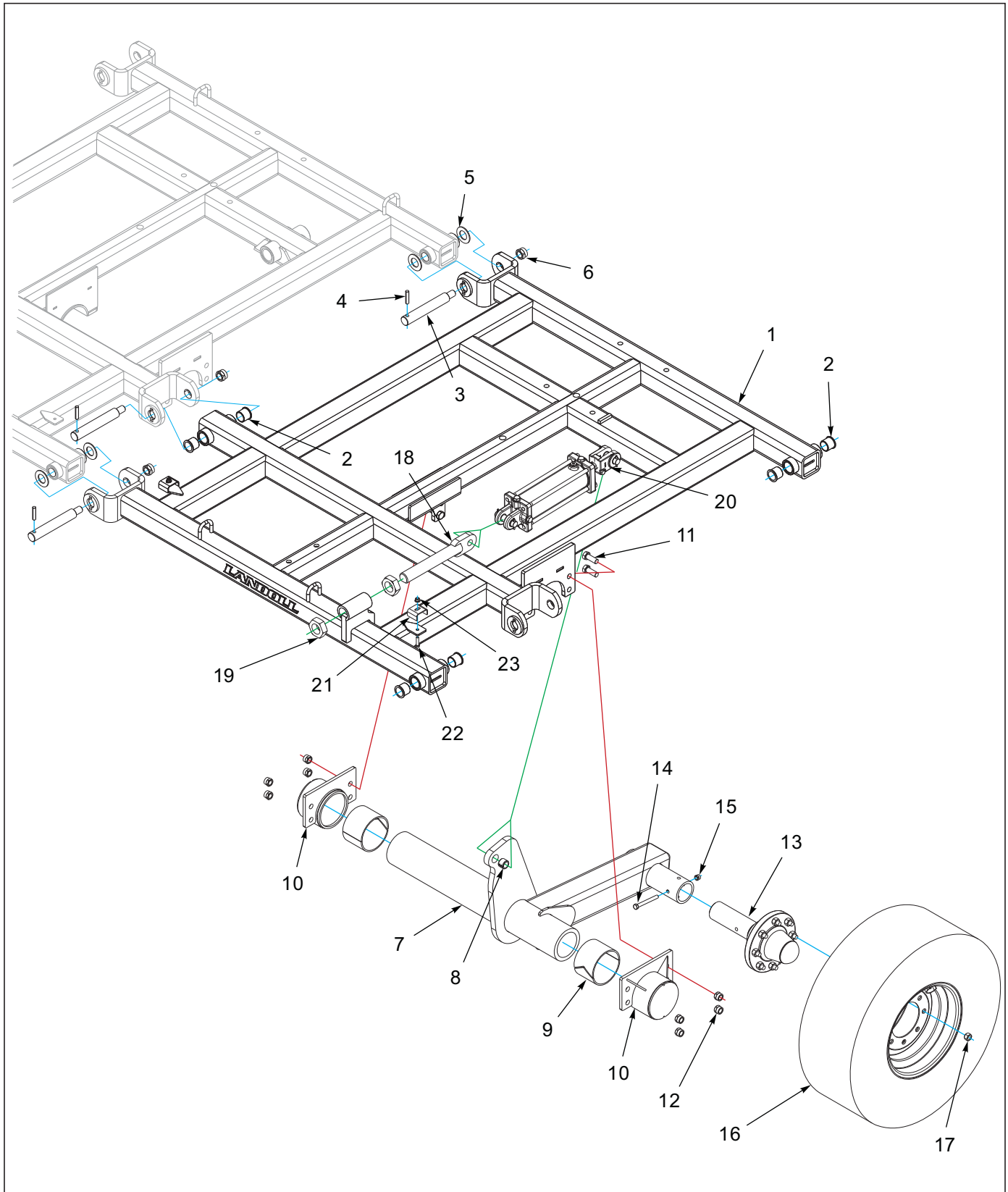


Figure 1-17: Frame Assembly Wing LH - Inner 1760-35'

Frame Assembly Wing LH - Inner 1760-35'

ITEM	PART NO.	DESCRIPTION	QTY.
--	209466	FRAME ASSY, LH WING (SHOWN)	
--	209468	FRAME ASSY, RH WING (NOT SHOWN)	
1	209495	WLDMT, LH WING FRAME (SHOWN 209466)	1
1	209496	WLDMT, RH WING FRAME (NOT SHOWN 209468)	1
2	140599	BEARING, FLANGE 1-1/2	6
3	202277	PIN, HINGE Ø1.50 X 8-1/4	3
4	144115	PIN, GROOVED ALLOY 1/2X2-1/4	3
5	141266	WASHER, THRUST 1-1/2	6
6	1-512-010005-19	NUT 1-8 HEX SLF-LOCKING GRB	3
7	205443	WLDMT, LH WING LIFT (SHOWN 209466)	1
7	205445	WLDMT, RH WING LIFT (NOT SHOWN 209468)	1
8	192890	BUSHING 1-3/8ODX1 IDX1 STEEL	1
9	140519	BEARING, UHMW 4IN	2
10	141209	BEARING CAP, LIFT	2
11	1-654-010061-05	SCREW,HHC,3/4-10UNCX2,GR5,ZP	8
12	1-512-010005-15	NUT,HEX,SLFLKG GRB 3/4-10	8
13	156972	HUB & SPINDLE ASSY, 8 BOLT (BEFORE 02-01-2020) (SEE PAGE 1-45)	1
13	223440	ASSY, 8 BOLT HUB & SPINDLE (AFTER 02-01-2020) (SEE PAGE 1-47)	1
14	1-654-010055-14	SCREW,HX CP,1/2-13UNCX4-1/2G5	1
15	1-512-010005-09	NUT,HEX,SLFLKG, 1/2-13 GRB	1
16	184708	TIRE ASSY,320/70R15,8 BOLTWHL (SEE PAGE 1-51)	1
17	102600	NUT,WHEEL BOLT, 5/8	8
18	159955	ROD, CYLINDER ANCHOR	1
19	155716	NUT HX JAM 1-3/4-5UNC GR2	2
20	140471	CYLINDER 3-3/4X10 REPHASE (SEE PAGE 1-122)	1
21	2-181-010001	HOSE CLAMP	2
22	1-654-010051-07	SCREW,HEX CAP,3/8-16UNCX1-1/2	2
23	1-510-010001	NUT, 3/8-16 UNC FLANGE LOCK	2

ILLUSTRATED PARTS LIST

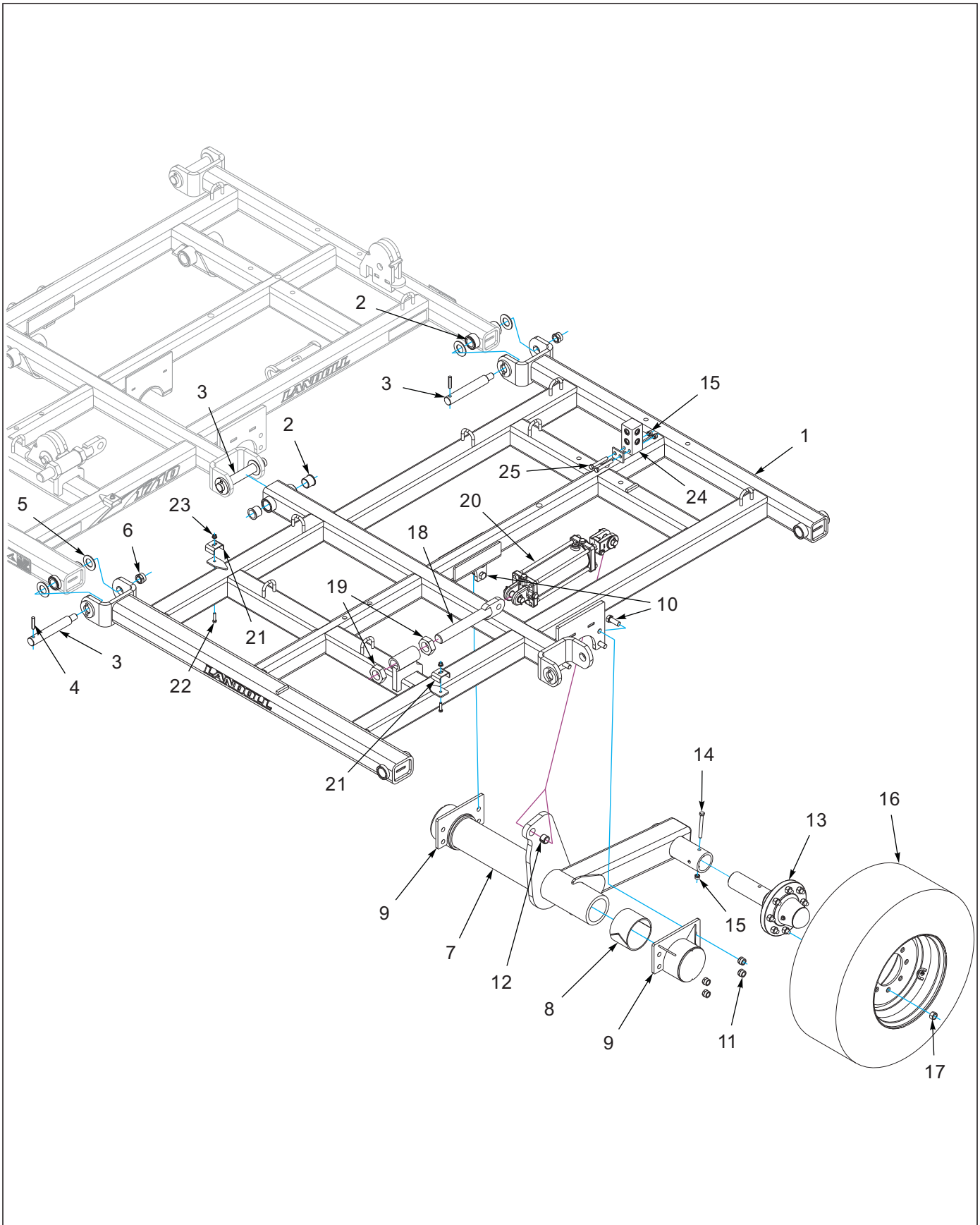


Figure 1-18: Frame Assembly Wing LH - Inner 1710-64'

Frame Assembly Wing LH - Inner 1710-64'

ITEM	PART NO.	DESCRIPTION	QTY.
1	214535	WLDMT, LH WING FAME (SHOWN)	1
1	214539	WLDMT, RH WING FRAME (NOT SHOWN)	1
2	140599	BEARING, FLANGE 1-1/2	6
3	202277	PIN, HINGE Ø1.50 X 8-1/4	3
4	144115	PIN, GROOVED ALLOY 1/2X2-1/4	3
5	141266	WASHER, THRUST 1-1/2	6
6	1-512-010005-19	NUT 1-8 HEX SLF-LOCKING GRB	3
7	205443	WLDMT, LH WING LIFT (214535 SHOWN)	1
7	205445	WLDMT, RH WING LIFT (214539 NOT SHOWN)	1
8	140519	BEARING, UHMW 4IN	2
9	141209	BEARING CAP, LIFT	2
10	1-654-010061-05	SCREW,HHC,3/4-10UNCX2,GR5,ZP	8
11	1-512-010005-15	NUT,HEX,SLFLKG GRB 3/4-10	8
12	192890	BUSHING 1-3/8ODX1 IDX1 STEEL	1
13	156972	HUB & SPINDLE ASSY, 8 BOLT (BEFORE 02-01-2020) (SEE PAGE 1-45)	1
13	223440	ASSY, 8 BOLT HUB & SPINDLE (AFTER 02-01-2020) (SEE PAGE 1-47)	1
14	1-654-010055-14	SCREW,HX CP,1/2-13UNCX4-1/2G5	1
15	1-512-010005-09	NUT,HEX,SLFLKG, 1/2-13 GRB	3
16	171010	TIRE & WHEEL ASSY,380/55RX16.5 (BEFORE 8/16/2019) (SEE PAGE 1-53)	1
16	221272	BKT 380 TIRE&WHL ASSY POS 1.5" (AFTER 8/16/2019) (SEE PAGE 1-53)	1
17	102600	NUT,WHEEL BOLT, 5/8	8
18	159955	ROD, CYLINDER ANCHOR	1
19	155716	NUT HX JAM 1-3/4-5UNC GR2	2
20	140470	CYLINDER 4X10 REPHASE (SEE PAGE 1-123)	1
21	2-181-010001	HOSE CLAMP	2
22	1-654-010051-07	SCREW,HEX CAP,3/8-16UNCX1-1/2	2
23	1-510-010001	NUT, 3/8-16 UNC FLANGE LOCK	2
24	2-474-010022	MANIFOLD ASSY, HYDR 8 HOSE	1
25	1-654-010055-11	SCREW,HX CP 1/2-13UNCX3-1/2	2

ILLUSTRATED PARTS LIST

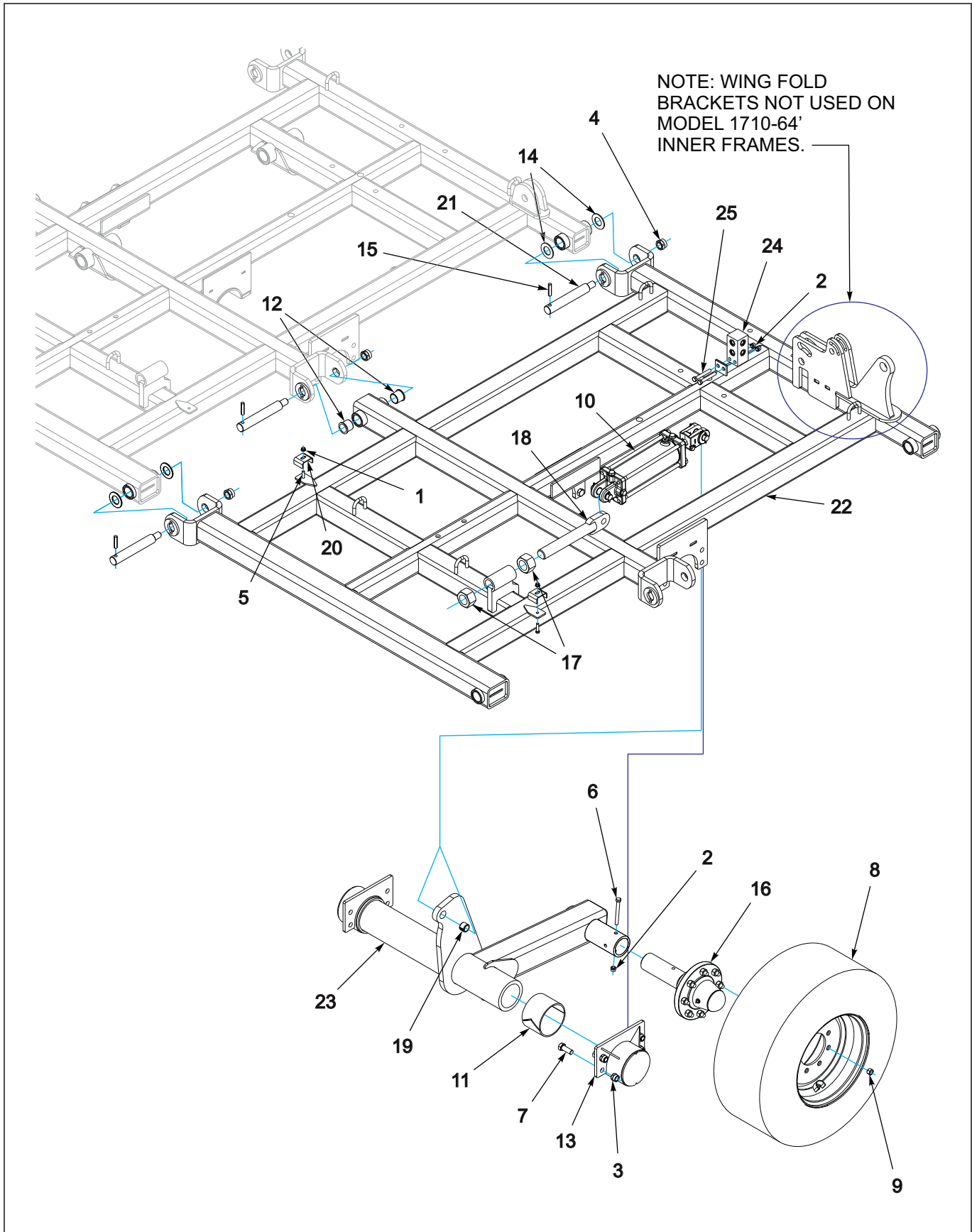


Figure 1-19: Frame Assembly Wing LH - Inner 1790-52' & 1710-64'

Frame Assembly Wing LH - Inner 1790-52' & 1710-64'

ITEM	PART NO.	DESCRIPTION	QTY.
--	202283	FRAME ASSY, LH WING (1790-54') (SHOWN)	
--	211435	FRAME ASSY, LH WING (17910-64') (NOT SHOWN)	
--	202286	FRAME ASSY, RH WING (1790-54') (NOT SHOWN)	
--	211439	FRAME ASSY, RH WING (17910-64') (NOT SHOWN)	
1	1-510-010001	NUT, 3/8-16 FLANGE LOCK	2
2	1-512-010005-09	NUT,HEX,SLFLKG, 1/2-13 GRB	3
3	1-512-010005-15	NUT,HEX,SLFLKG GRB 3/4-10	8
4	1-512-010005-19	NUT 1-8 HEX SLF-LOCKING GRB	3
5	1-654-010051-07	SCREW,HEX CAP,3/8-16UNCX1-1/2	2
6	1-654-010055-14	SCREW,HX CP,1/2-13UNCX4-1/2G5	1
7	1-654-010061-05	SCREW,HHC,3/4-10UNCX2,GR5,ZP	8
8	171010	TIRE & WHEEL ASSY,380/55RX16.5 (BEFORE 8/16/2019) (SEE PAGE 1-53)	1
8	221272	BKT 380 TIRE&WHL ASSY POS 1.5" (AFTER 8/16/2019) (SEE PAGE 1-53)	1
9	102600	NUT,WHEEL BOLT, 5/8	8
10	140470	CYLINDER 4X10 REPHASE (1790-52') (SEE PAGE 1-123)	1
10	140471	CYLINDER 3-3/4X10 REPHASE (1710-64') (SEE PAGE 1-122)	1
11	140519	BEARING, UHMW 4IN	2
12	140599	BEARING, FLANGE 1-1/2	6
13	141209	BEARING CAP, LIFT	2
14	141266	WASHER, THRUST 1-1/2	6
15	144115	PIN, GROOVED ALLOY 1/2X2-1/4	3
16	156972	HUB & SPINDLE ASSY, 8 BOLT (BEFORE 02-01-2020) (SEE PAGE 1-45)	1
16	223440	ASSY, 8 BOLT HUB & SPINDLE (AFTER 02-01-2020) (SEE PAGE 1-47)	1
17	155716	NUT HX JAM 1-3/4-5UNC GR2	2
18	159955	ROD, CYLINDER ANCHOR	1
19	192890	BUSHING 1-3/8ODX1 IDX1 STEEL	1
20	2-181-010001	HOSE CLAMP	2
21	202277	PIN, HINGE 1.50 x 8-1/4	3
22	202292	WLDMT, LH WING FRAME (1790-54') (SHOWN 202283)	1
22	214535	WLDMT, LH WING FAME (17910-64') (NOT SHOWN 211435)	1
22	202295	WLDMT, RH WING FRAME (1790-54') (NOT SHOWN 202286)	1
22	214539	WLDMT, RH WING FRAME (17910-64') (NOT SHOWN 211439)	1
23	205443	WLDMT, LH WING LIFT (SHOWN 202283)	1
23	205445	WLDMT, RH WING LIFT (NOT SHOWN 202286)	1
24	2-474-010022	MANIFOLD ASSY, HYDR 8 HOSE	1
25	1-654-010055-11	SCREW,HX CP 1/2-13UNCX3-1/2	2

ILLUSTRATED PARTS LIST

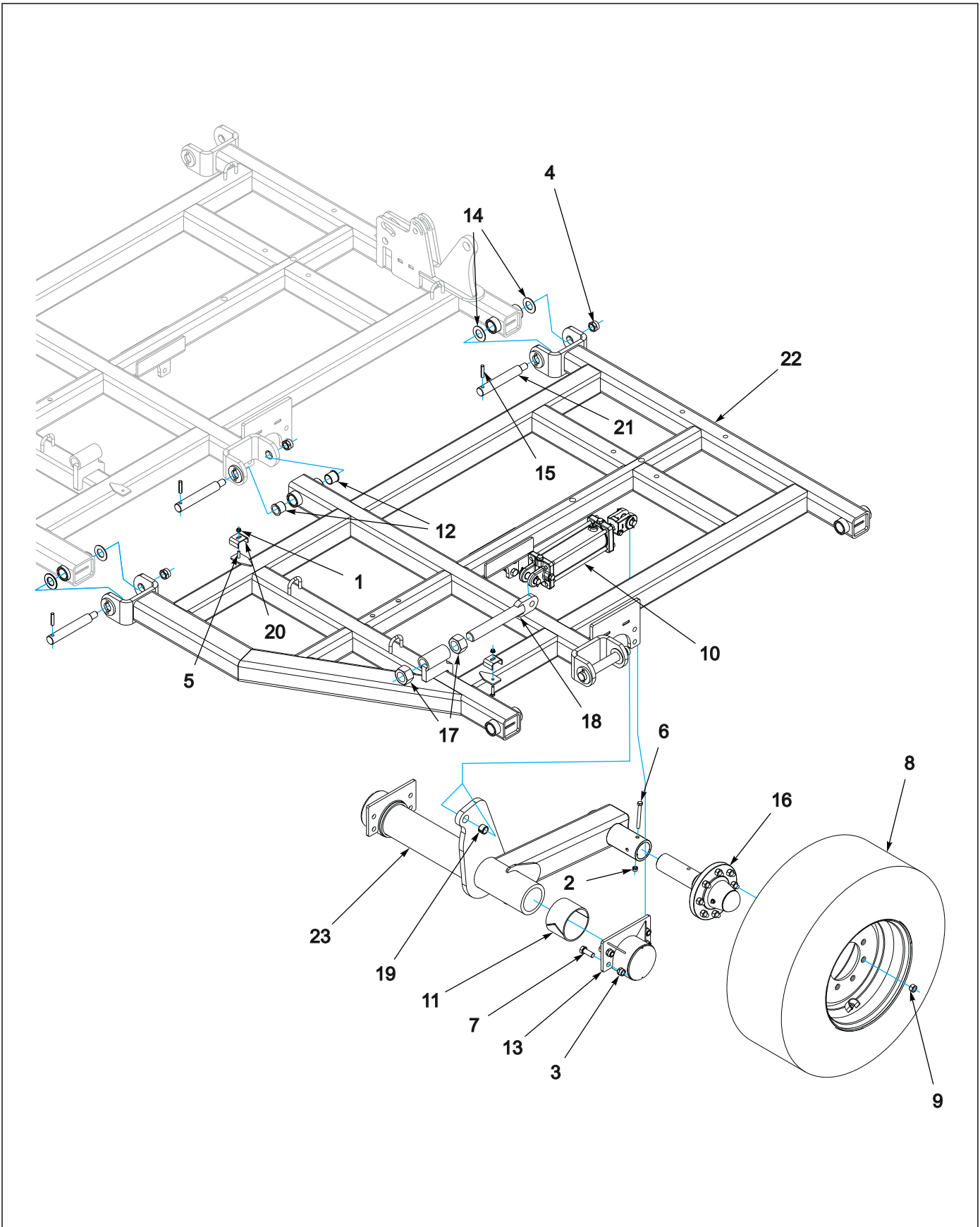


Figure 1-20: Frame Assembly Wing LH - Middle 1770-40', 1790-52' & 1710-64'

Frame Assembly Wing LH - Middle 1770-40', 1790-52' & 1710-64'

ITEM	PART NO.	DESCRIPTION	QTY.
--	209441	FRAME ASSY, LH WING (1770-40') (NOT SHOWN)	
--	202284	FRAME ASSY, LH WING (1790-52') (SHOWN)	
--	211437	FRAME ASSY, LH WING (1710-64') (NOT SHOWN)	
--	209443	FRAME ASSY, RH WING (1770-40') (NOT SHOWN)	
--	202287	FRAME ASSY, RH WING (1790-52') (NOT SHOWN)	
--	211441	FRAME ASSY, RH WING (1710-64') (NOT SHOWN)	
1	1-510-010001	NUT, 3/8-16 FLANGE LOCK	2
2	1-512-010005-09	NUT,HEX,SLFLKG, 1/2-13 GRB	1
3	1-512-010005-15	NUT,HEX,SLFLKG GRB 3/4-10	8
4	1-512-010005-19	NUT 1-8 HEX SLF-LOCKING GRB	3
5	1-654-010051-07	SCREW,HEX CAP,3/8-16UNCX1-1/2	2
6	1-654-010055-14	SCREW,HX CP,1/2-13UNCX4-1/2G5	1
7	1-654-010061-05	SCREW,HHC,3/4-10UNCX2,GR5,ZP	8
8	171010	TIRE & WHEEL ASSY,380/55RX16.5 (BEFORE 8/16/2019) (SEE PAGE 1-53)	1
8	221272	BKT 380 TIRE&WHL ASSY POS 1.5" (AFTER 8/16/2019) (SEE PAGE 1-53)	1
9	102600	NUT,WHEEL BOLT, 5/8	8
10	140470	CYLINDER 4X10 REPHASE (1770-40') (SEE PAGE 1-123)	1
10	140471	CYLINDER 3-3/4X10 REPHASE (1790-52') (SEE PAGE 1-122)	1
10	164172	CYLINDER 3-1/2X10, REPHASE (1710-64') (SEE PAGE 1-120)	1
11	140519	BEARING, UHMW 4IN	2
12	140599	BEARING, FLANGE 1-1/2	6
13	141209	BEARING CAP, LIFT	2
14	141266	WASHER, THRUST 1-1/2	6
15	144115	PIN, GROOVED ALLOY 1/2X2-1/4	3
16	156972	HUB & SPINDLE ASSY, 8 BOLT (BEFORE 02-01-2020) (SEE PAGE 1-45)	1
16	223440	ASSY, 8 BOLT HUB & SPINDLE (AFTER 02-01-2020) (SEE PAGE 1-47)	1
17	155716	NUT HX JAM 1-3/4-5UNC GR2	2
18	159955	ROD, CYLINDER ANCHOR	1
19	192890	BUSHING 1-3/8ODX1 IDX1 STEEL	1
20	2-181-010001	HOSE CLAMP	2
21	202277	PIN, HINGE 1.50 x 8-1/4	3
22	202293	WLDMT, LH WING FRAME (SHOWN 202284 & 209441)	1
22	214537	WLDMT, LH WING FRAME (NOT SHOWN 211437)	1
22	202296	WLDMT, RH WING FRAME (NOT SHOWN 202287 & 209443)	1
22	214541	WLDMT, RH WING FRAME (NOT SHOWN 211437)	1
23	205443	WLDMT, LH WING LIFT (SHOWN 202284 & 209441)	1
23	205445	WLDMT, RH WING LIFT (NOT SHOWN 211441)	1

ILLUSTRATED PARTS LIST

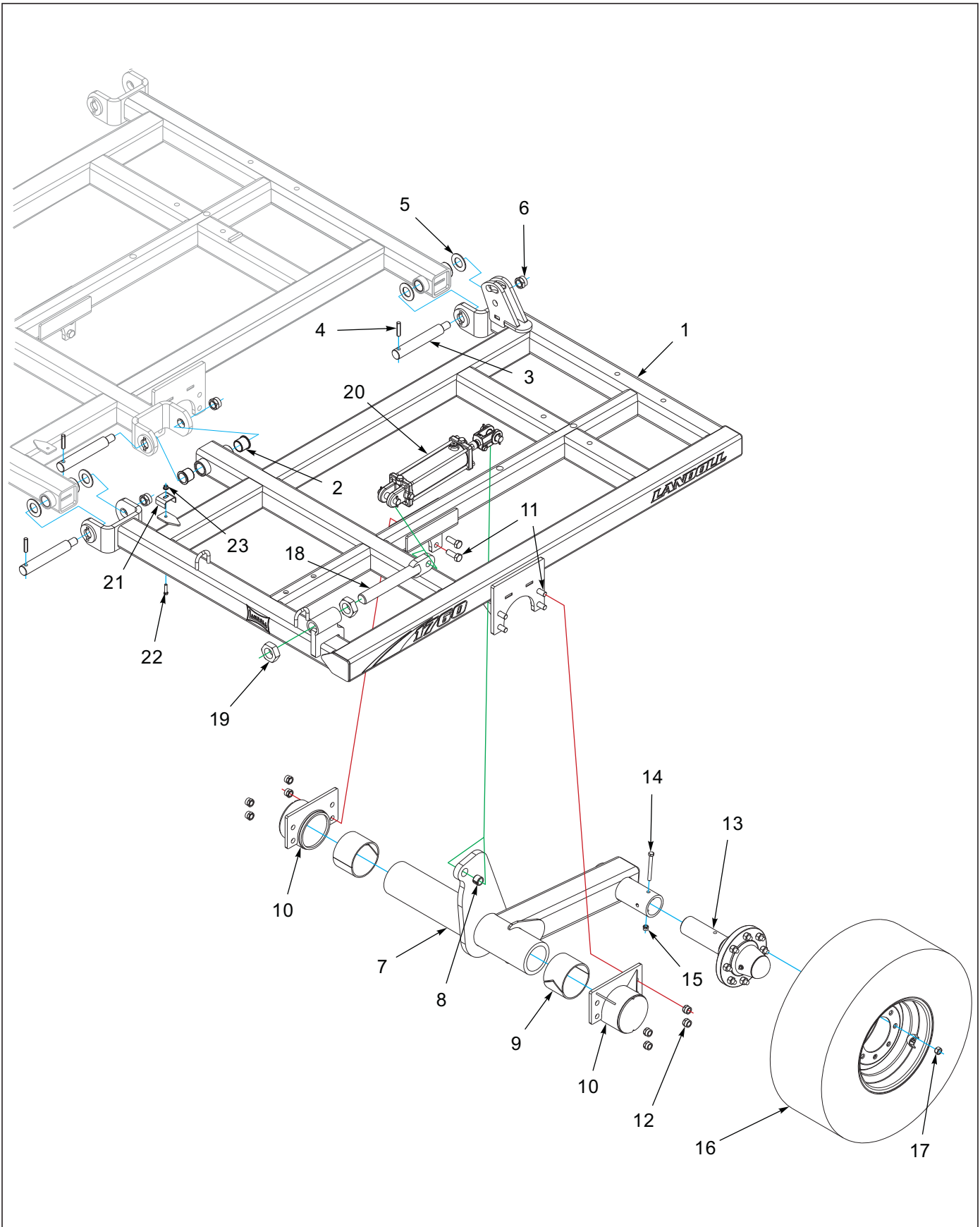


Figure 1-21: Frame Assembly Wing LH - Outer 1760-35'

Frame Assembly Wing LH - Outer 1760-35'

ITEM	PART NO.	DESCRIPTION	QTY.
--	209467	FRAME ASSY, LH WING	
--	209469	FRAME ASSY, RH WING	
1	209476	WLDMT, LH WING FRAME (SHOWN 209466)	1
1	209477	WLDMT, RH WING FRAME (NOT SHOWN 209468)	1
2	140599	BEARING, FLANGE 1-1/2	2
3	202277	PIN, HINGE Ø1.50 X 8-1/4	2
4	144115	PIN, GROOVED ALLOY 1/2X2-1/4	2
5	141266	WASHER, THRUST 1-1/2	4
6	1-512-010005-19	NUT 1-8 HEX SLF-LOCKING GRB	2
7	205444	WLDMT, LH WING LIFT (SHOWN 209466)	1
7	205446	WLDMT, RH WING LIFT (NOT SHOWN 209468)	1
8	192890	BUSHING 1-3/8ODX1 IDX1 STEEL	1
9	140519	BEARING, UHMW 4IN	2
10	141209	BEARING CAP, LIFT	2
11	1-654-010061-05	SCREW,HHC,3/4-10UNCX2,GR5,ZP	8
12	1-512-010005-15	NUT,HEX,SLFLKG GRB 3/4-10	8
13	156972	HUB & SPINDLE ASSY, 8 BOLT (BEFORE 02-01-2020) (SEE PAGE 1-45)	1
13	223440	ASSY, 8 BOLT HUB & SPINDLE (AFTER 02-01-2020) (SEE PAGE 1-47)	1
14	1-654-010055-14	SCREW,HX CP,1/2-13UNCX4-1/2G5	1
15	1-512-010005-09	NUT,HEX,SLFLKG, 1/2-13 GRB	1
16	184708	TIRE ASSY,320/70R15,8 BOLTWHL (SEE PAGE 1-51)	1
17	102600	NUT,WHEEL BOLT, 5/8	8
18	159955	ROD, CYLINDER ANCHOR	1
19	155716	NUT HX JAM 1-3/4-5UNC GR2	2
20	164172	CYLINDER 3-1/2X10, REPHASE (SEE PAGE 1-120)	1
21	2-181-010001	HOSE CLAMP	1
22	1-654-010051-07	SCREW,HEX CAP,3/8-16UNCX1-1/2	1
23	1-510-010001	NUT, 3/8-16 UNC FLANGE LOCK	1

ILLUSTRATED PARTS LIST

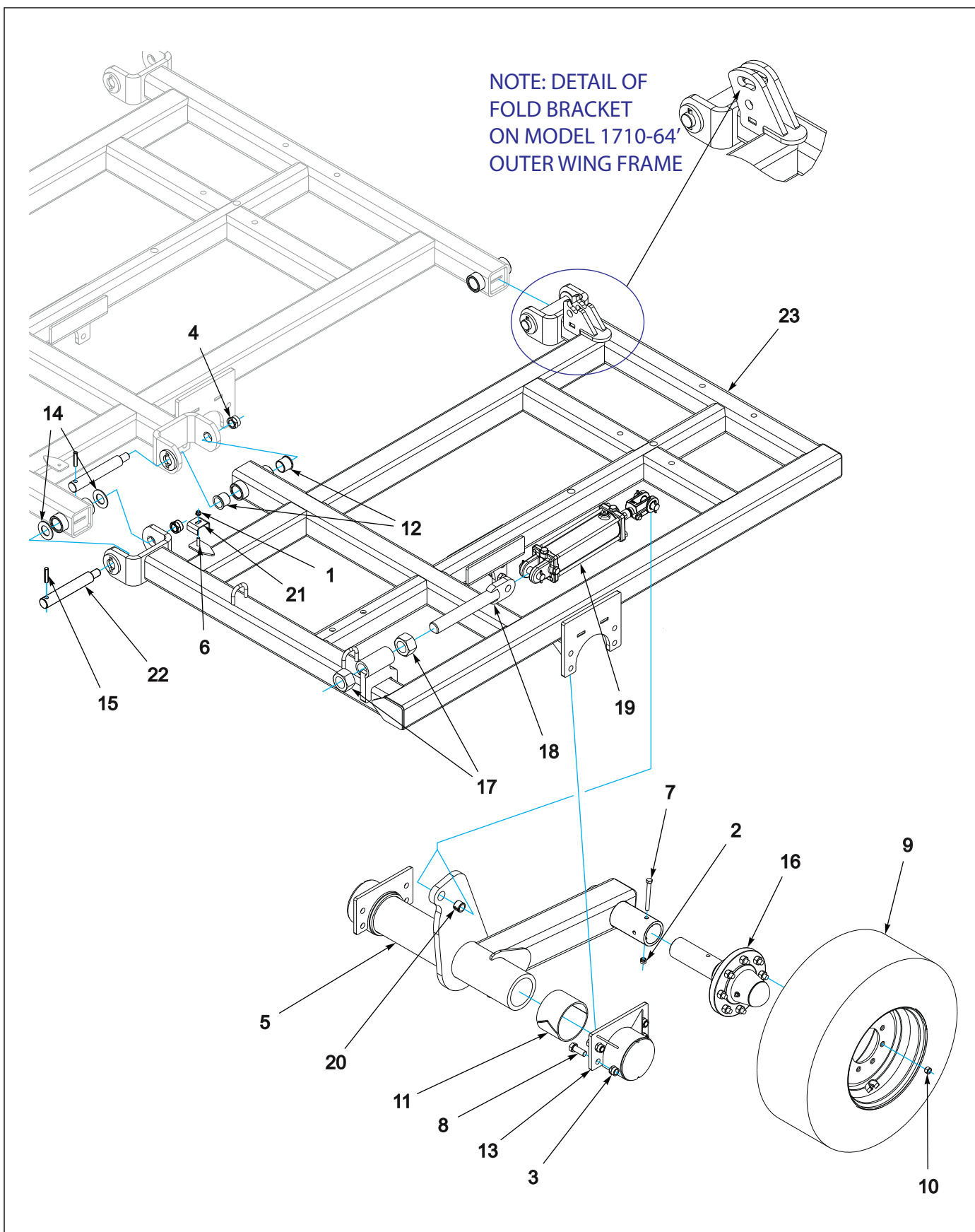


Figure 1-22: Frame Assembly Wing LH - Outer 1770-40', 1790-52' & 1710-64'

Frame Assembly Wing LH - Outer 1770-40', 1790-52' & 1710-64'

ITEM	PART NO.	DESCRIPTION	QTY.
--	209442	FRAME ASSY, LH WING (1770-40') (NOT SHOWN)	
--	202285	FRAME ASSY, LH WING (1790-52') (SHOWN)	
--	211438	FRAME ASSY, LH WING (1710-64') (NOT SHOWN)	
--	209444	FRAME ASSY, RH WING (1770-40') (NOT SHOWN)	
--	202288	FRAME ASSY, RH WING (1790-52') (NOT SHOWN)	
--	211442	FRAME ASSY, RH WING (1710-64') (NOT SHOWN)	
1	1-510-010001	NUT, 3/8-16 FLANGE LOCK	2
2	1-512-010005-09	NUT,HEX,SLFLKG, 1/2-13 GRB	1
3	1-512-010005-15	NUT,HEX,SLFLKG GRB 3/4-10	8
4	1-512-010005-19	NUT 1-8 HEX SLF-LOCKING GRB	2
5	205444	WLDMT, LH WING LIFT (SHOWN 202285)	1
5	205446	WLDMT, RH WING LIFT (NOT SHOWN 202288)	1
6	1-654-010051-07	SCREW,HEX CAP,3/8-16UNCX1-1/2	2
7	1-654-010055-14	SCREW,HX CP,1/2-13UNCX4-1/2G5	1
8	1-654-010061-05	SCREW,HHC,3/4-10UNCX2,GR5,ZP	8
9	171010	TIRE & WHEEL ASSY,380/55RX16.5 (BEFORE 8/16/2019) (SEE PAGE 1-53)	1
9	221272	BKT 380 TIRE&WHL ASSY POS 1.5" (AFTER 8/16/2019) (SEE PAGE 1-53)	1
10	102600	NUT,WHEEL BOLT, 5/8	8
11	140519	BEARING, UHMW 4IN	2
12	140599	BEARING, FLANGE 1-1/2	2
13	141209	BEARING CAP, LIFT	2
14	141266	WASHER, THRUST 1-1/2	4
15	144115	PIN, GROOVED ALLOY 1/2X2-1/4	2
16	156972	HUB & SPINDLE ASSY, 8 BOLT (BEFORE 02-01-2020) (SEE PAGE 1-45)	1
16	223440	ASSY, 8 BOLT HUB & SPINDLE (AFTER 02-01-2020) (SEE PAGE 1-47)	1
17	155716	NUT HX JAM 1-3/4-5UNC GR2	2
18	159955	ROD, CYLINDER ANCHOR	1
19	140471	CYLINDER 3-3/4X10 REPHASE (1770-40') (SEE PAGE 1-122)	1
19	164172	CYLINDER 3-1/2X10 REPHASE (1790-52') (SEE PAGE 1-120)	1
19	202273	CYLINDER, 3-1/4 X 10, REPHASE (1710-64') (SEE PAGE 1-120)	1
20	192890	BUSHING 1-3/8ODX1 IDX1 STEEL	1
21	2-181-010001	HOSE CLAMP	1
22	202277	PIN, HINGE 1.50 x 8-1/4	2
23	202294	WLDMT, LH WING FRAME (SHOWN 202285 & 209442)	1
23	214538	WLDMT, LH WING FRAME (NOT SHOWN 211438)	1
23	202297	WLDMT, RH WING FRAME (NOT SHOWN 202288 & 209444)	1
23	214542	WLDMT, RH WING FRAME (NOT SHOWN 211442)	1

Hub & Spindles

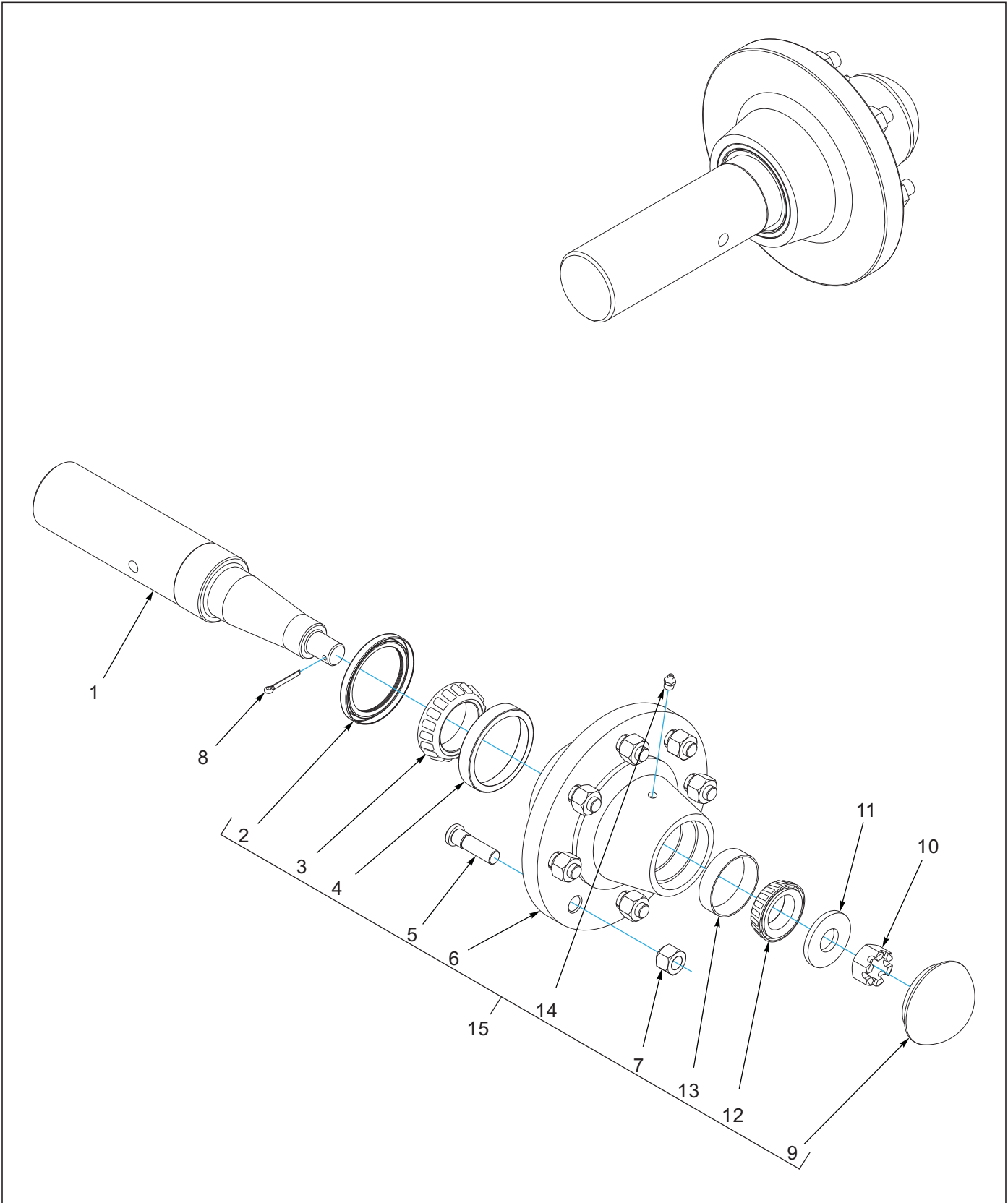


Figure 1-23: Hub and Spindle Assembly - 156972

Hub and Spindle Assembly - 156972

ITEM	PART NO.	DESCRIPTION	QTY.
--	156972	HUB & SPINDLE ASSY, 8 BOLT (BEFORE 2-1-2020)	
1	156973	SPINDLE 3 X 16-1/2	1
2	159970	SEAL,TRIPLE LIP 4 ODX3 IDX3/8	1
3	156979	CONE BEARING - 387AS	1
4	111962	OUTER BEARING CUP L20HD#382A	1
5	4001060	HUB 75-8 BOLTS 5/8-18 STUD	1
6	156974	HUB W/CUPS, 8 BOLT, 7500LBS (INCLUDES ITEMS 4, 5, 7, 13, 14)	1
7	102600	NUT,WHEEL BOLT, 5/8	8
8	1-557-010362-51	PIN, COTTER 3/16X1-1/2	1
9	102601	HUB CAP, 8-BOLT HUB	1
10	1-516-010001-20	NUT, HX SLOT 1-14	1
11	1-861-010005	WASHER, SPINDLE 1	1
12	102498	BEARING CONE,OUTER, 1.625	1
13	102604	BEARING CUP, OUTER	1
14	5000	ZERK FITTING 1/8NPT	1
15	168859	HUB ASSY, EIGHT BOLT (SERVICE KIT ONLY)	

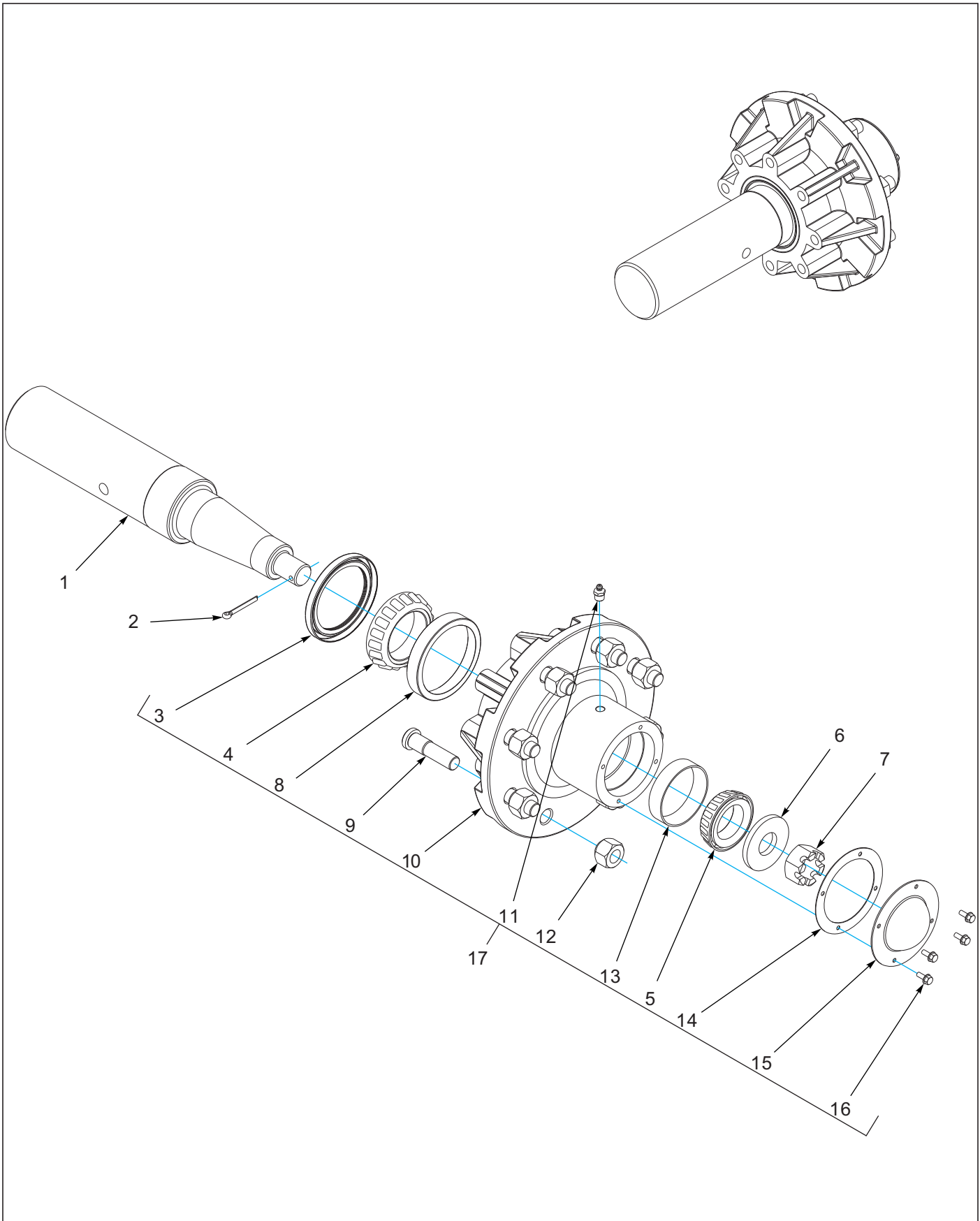


Figure 1-24: Hub and Spindle Assembly - 223440

Hub and Spindle Assembly - 223440

ITEM	PART NO.	DESCRIPTION	QTY.
--	223440	ASSY, 8 BOLT HUB & SPINDLE (AFTER 2-1-2020) (NOTE: P/N 223440 HUB & SPINDLE WILL REPLACE ALL EXISTING 156972 HUB & SPINDLE ASSEMBLIES)	
1	156973	SPINDLE 3 X 16-1/2	1
2	1-557-010362-51	PIN, COTTER 3/16X1-1/2	1
3	159970	SEAL,TRIPLE LIP 4 ODX3 IDX3/8	1
4	156979	CONE BEARING - 387AS	1
5	102498	BEARING CONE,OUTER, 1.625	1
6	1-861-010005	WASHER, SPINDLE 1	1
7	1-516-010001-20	NUT, HX SLOT 1-14	1
8	111962	OUTER BEARING CUP L20HD#382A	1
9	4001060	HUB 75-8 BOLTS 5/8-18 STUD	8
10	223435	HUB ASSY W/ CUPS,GASKET,CAP (INCLUDES ITEMS 8, 9, 11-16)	1
11	5000	ZERK FITTING 1/8NPT	1
12	102600	NUT,WHEEL BOLT, 5/8	8
13	102604	BEARING CUP, OUTER	1
14	223439	GASKET, DUST CAP	1
15	223437	DUST CAP, BOLT ON	1
16	223438	SCREW, 10-32X1/2 HEX FLANGE	4
17	168859	HUB ASSY, EIGHT BOLT (SERVICE KIT ONLY)	

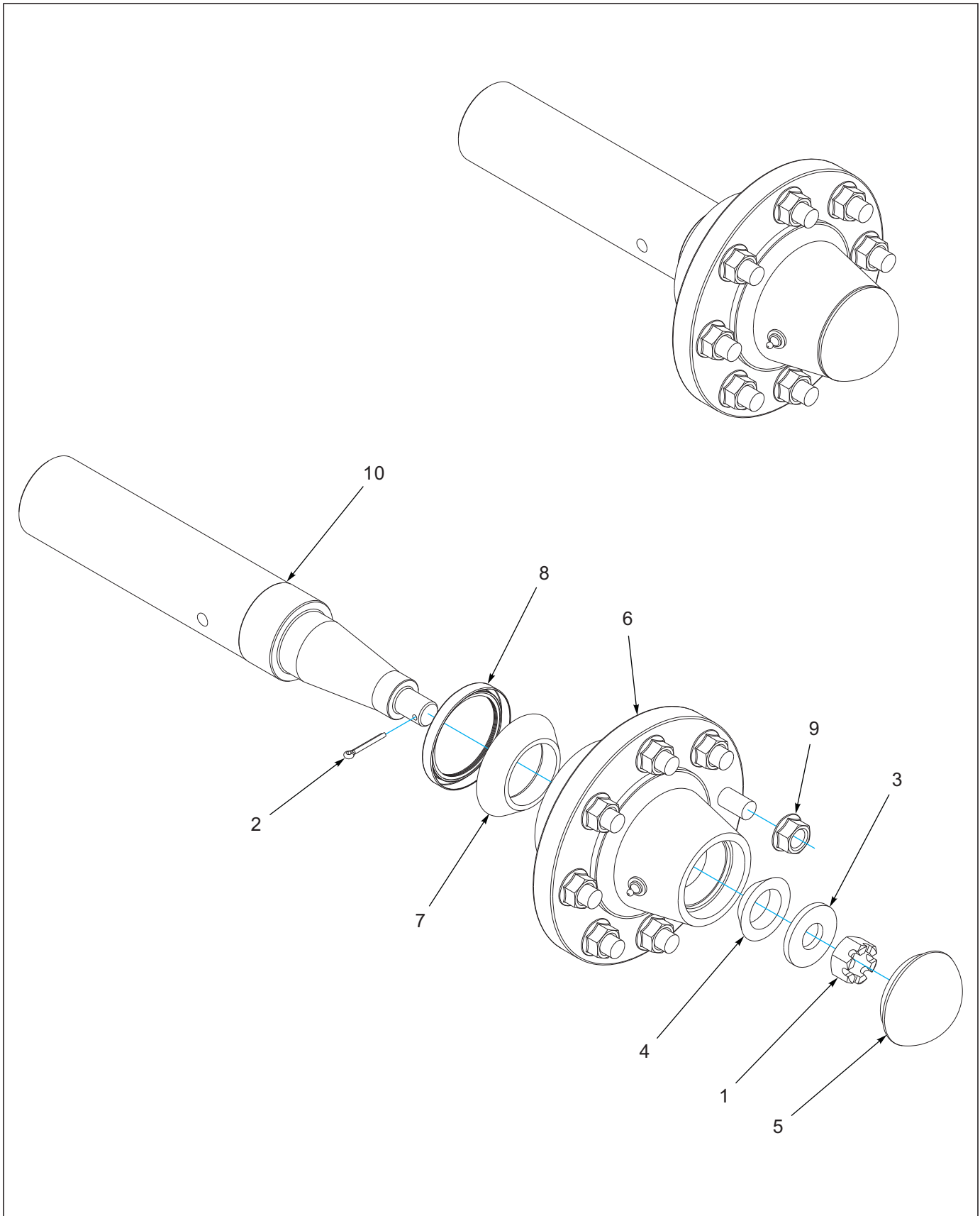


Figure 1-25: Hub and Spindle Assembly 3.25" - 8 Bolt

Hub and Spindle Assembly 3.25" - 8 Bolt

ITEM	PART NO.	DESCRIPTION	QTY.
--	212840	HUB/SPINDLE ASSY 3.25", 8 BOLT	
1	1-516-010001-20	NUT, HX SLOT 1-14	1
2	1-557-010362-51	PIN, COTTER 3/16X1-1/2	1
3	1-861-010005	WASHER, SPINDLE 1	1
4	102498	BEARING CONE, OUTER, 1.625	1
5	102601	HUB CAP, 8-BOLT HUB	1
6	170302	HUB W/ CUPS, 8 BOLT 10,000 LBS (INCLUDES ITEMS 4, 6, 7 & 9)	1
7	170310	CONE BEARING-39250-39412	1
8	171107	SEAL, TRIPLE LIP 4.125ODX3.251ID	1
9	171773	NUT, HEX FLANGE 3/4-16 GR5 ZP	8
10	212841	SPINDLE, 3-1/4 IN	1

Tire & Wheel Assemblies

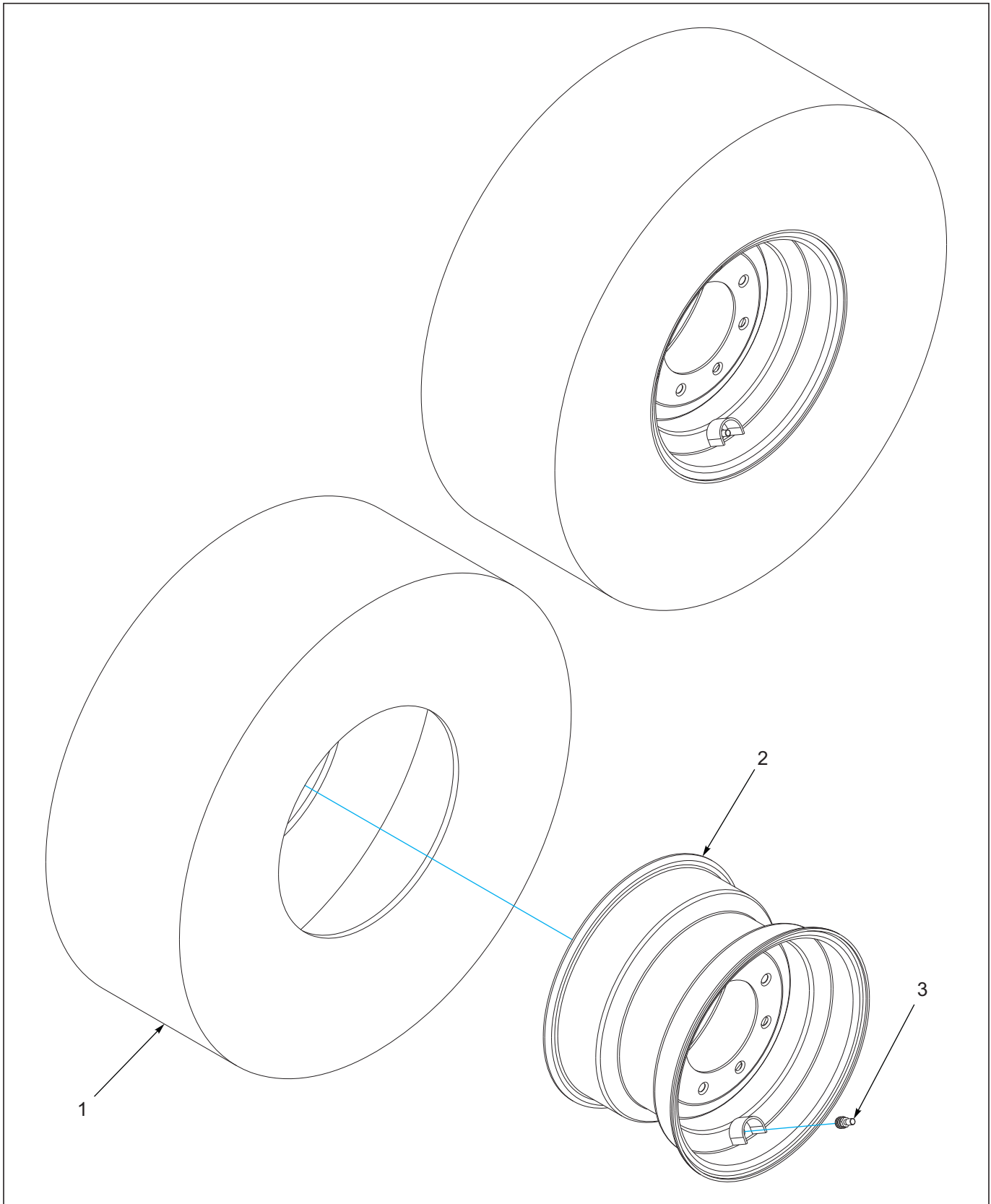


Figure 1-26: Tire & Wheel Assembly 320/70R15

Tire & Wheel Assembly 320/70R15

ITEM	PART NO.	DESCRIPTION	QTY.
--	184708	TIRE ASSY,320/70R15,8 BOLTWHL	
1	204385	FIRESTONE RADIAL 320/70R15	1
2	140548	WHEEL, 15 X 10 LB 8 BOLT	1
3	TR575	VALVE STEM TUBELESS TIRE	1

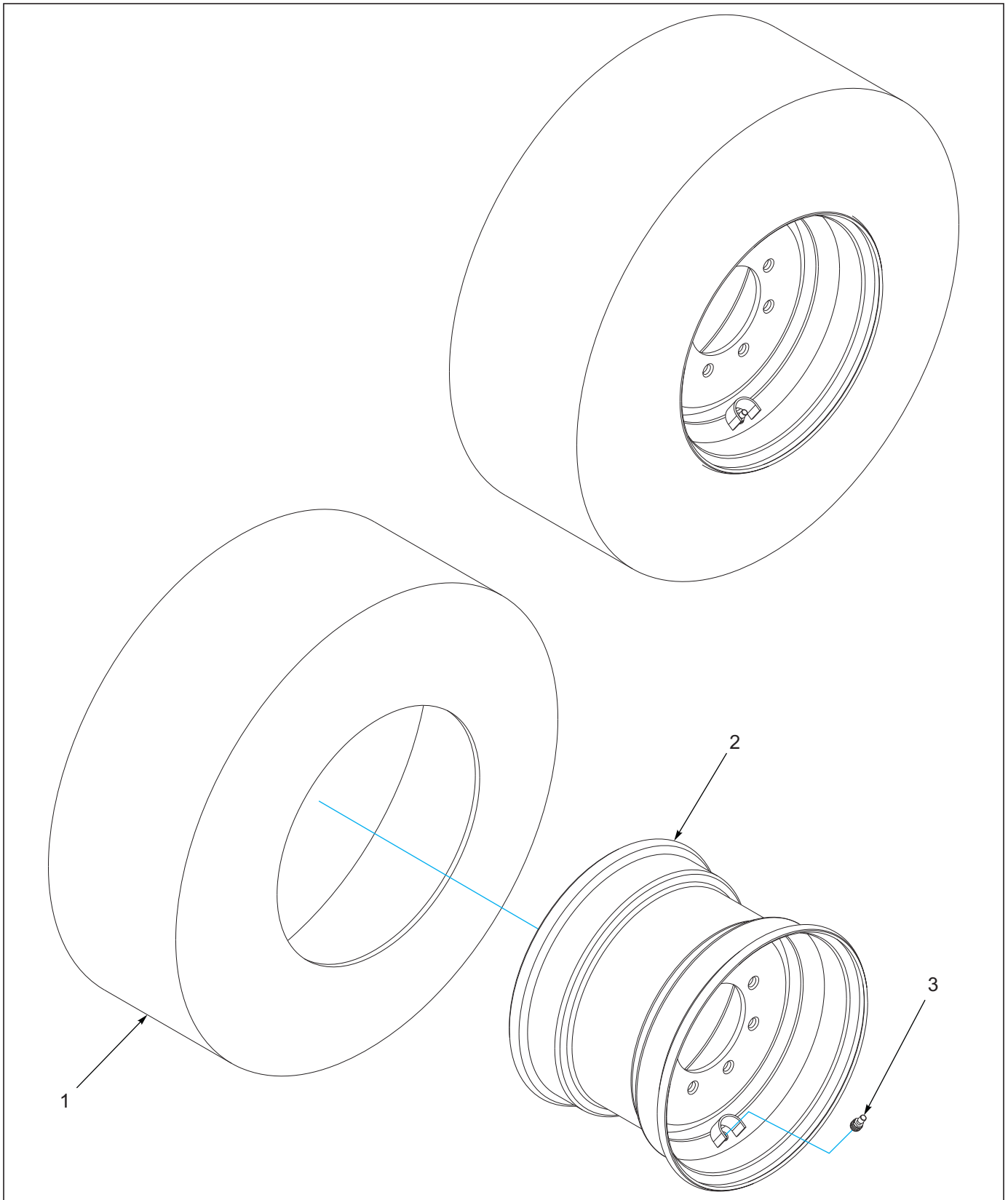


Figure 1-27: Tire & Wheel Assembly 380/55R 16.5

Tire & Wheel Assembly 380/55R 16.5

ITEM	PART NO.	DESCRIPTION	QTY.	
--	171010	TIRE & WHEEL ASSY,380/55RX16.5 (BEFORE 8/16/2019)	*	
--	221272	BKT 380 TIRE&WHL ASSY POS 1.5" (AFTER 8/16/2019)		*
1	165236	TIRE 380/55R 16.5 IMP	1	--
1	221270	BKT TIRE 380/55R 16.5 IMP	--	1
2	171011	WHEEL, 8 BOLT	1	1
3	TR575	VALVE STEM TUBELESS TIRE	1	1

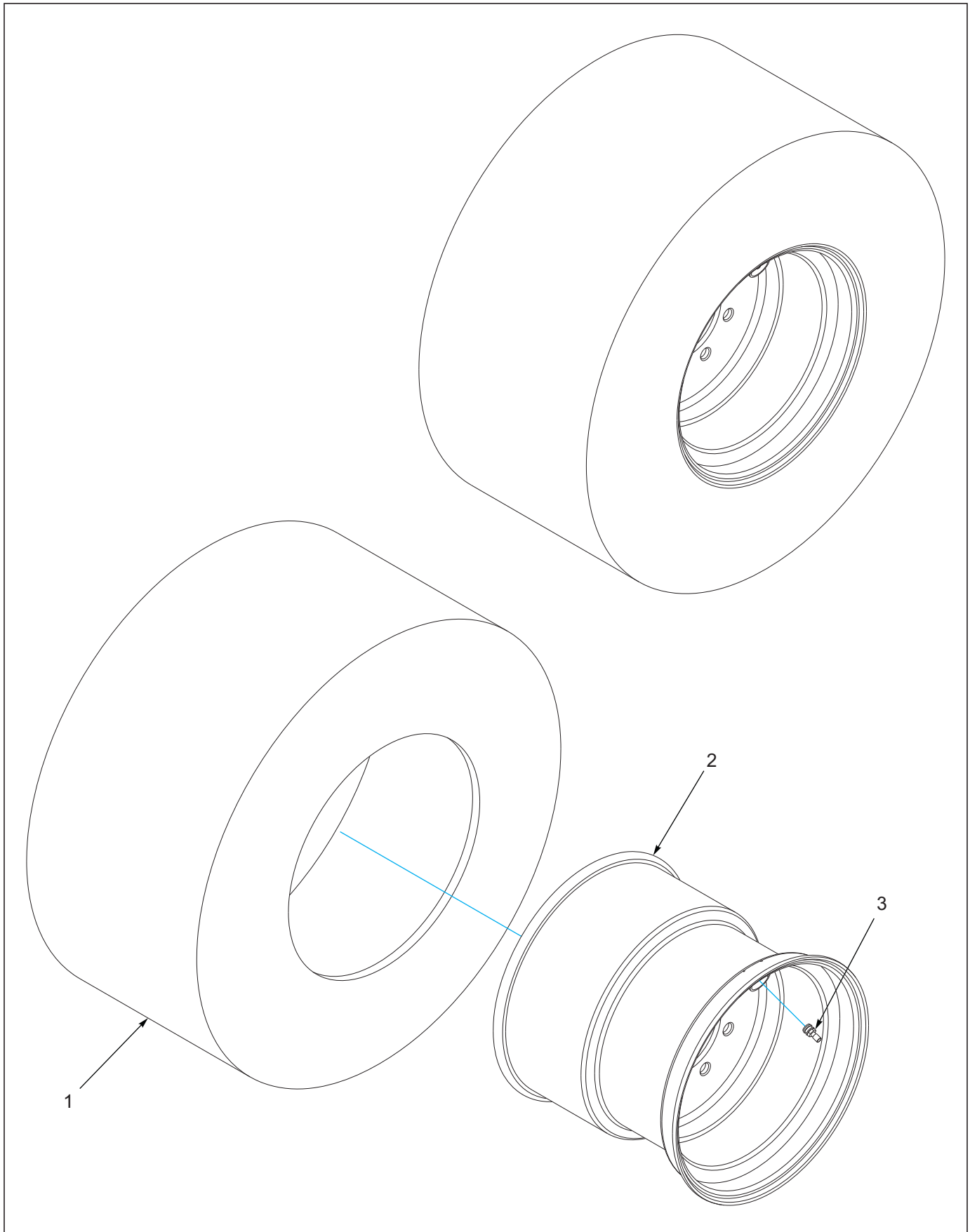


Figure 1-28: Tire & Wheel Assembly 480/45R17

Tire & Wheel Assembly 480/45R17

ITEM	PART NO.	DESCRIPTION	QTY.
--	203016	TIRE & WHEEL ASSY, 480/45R17AG	
1	204386	TIRE, BKT VF 480/45R17	1
2	208240	WHEEL, 17 X 16.00 8-BOLT	1
3	TR575	VALVE STEM TUBELESS TIRE	1

Fold Assemblies

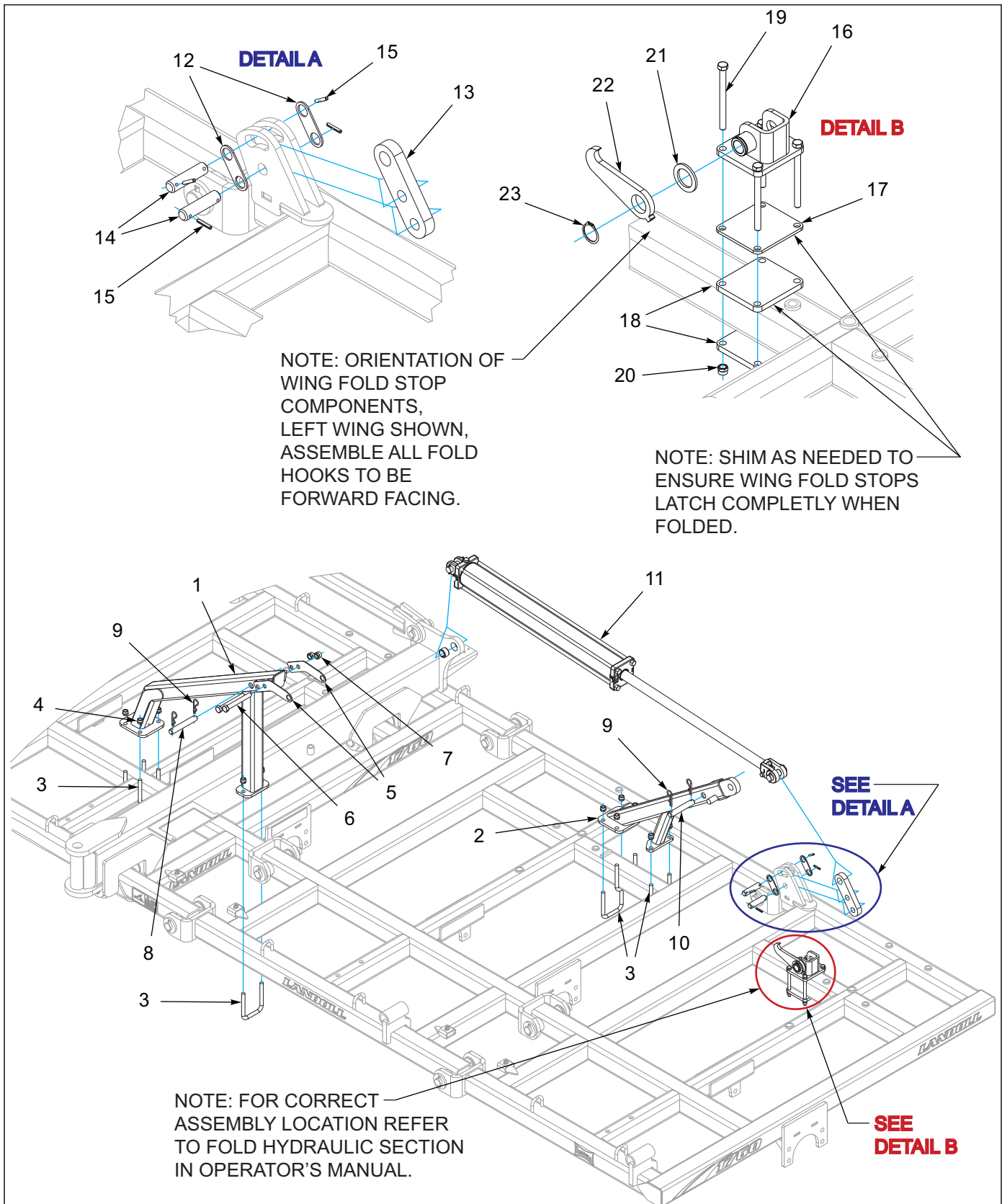


Figure 1-29: Wing Fold Assembly 1760-35'

Wing Fold Assembly 1760-35'

ITEM	PART NO.	DESCRIPTION	QTY.
1	211357	WLDMT, INNER WING STABILIZER	2
2	211353	WLDMT, OUTER WING STABILIZER	2
3	6-102-010009	U-BOLT RIGID GA WHEEL	12
4	1-512-010005-13	NUT,HEX,SLFLKG GRB 5/8-11	24
5	209453	BRACKET, WING STABILIZER	4
6	W908409-4	SCREW 3/4-10X6 HEX HD CAP	4
7	1-512-010005-15	NUT,HEX,SLFLKG GRB 3/4-10	4
8	2-557-010006	PIN RADIUS ROD LOWER	2
9	1-557-010013	PIN, HAIR 3/16 DIA	8
10	158299	PIN 1X7-5/16	2
11	206981	CYLINDER, 4 X 36 3000PSI, BLUE (SEE PAGE 1-127)	2
12	211418	WASHER, OUTER FOLD	4
13	209486	PLATE, FOLD LINKAGE	2
14	207647	PIN, Ø1 X 4 OUTER FOLD	4
15	1-647-010004217	SPRING PIN, SLOTTED 1/4X1-1/2	8
16	207696	WING FOLD STOP WLDMT	2
17	208809	1/4" SHIM, WING FOLD STOP	2
18	208729	PLATE, WING FOLD STOP	4
19	1-654-010055-18	SCREW HX CP,1/2-13UNCX6-1/2G5	8
20	1-512-010005-09	NUT,HEX,SLFLKG, 1/2-13 GRB	8
21	208730	WASHER, WING FOLD STOP	2
22	208727	HOOK, WING FOLD STOP	2
23	208728	SNAP RING, 1-5/8 SHAFT	2

ILLUSTRATED PARTS LIST

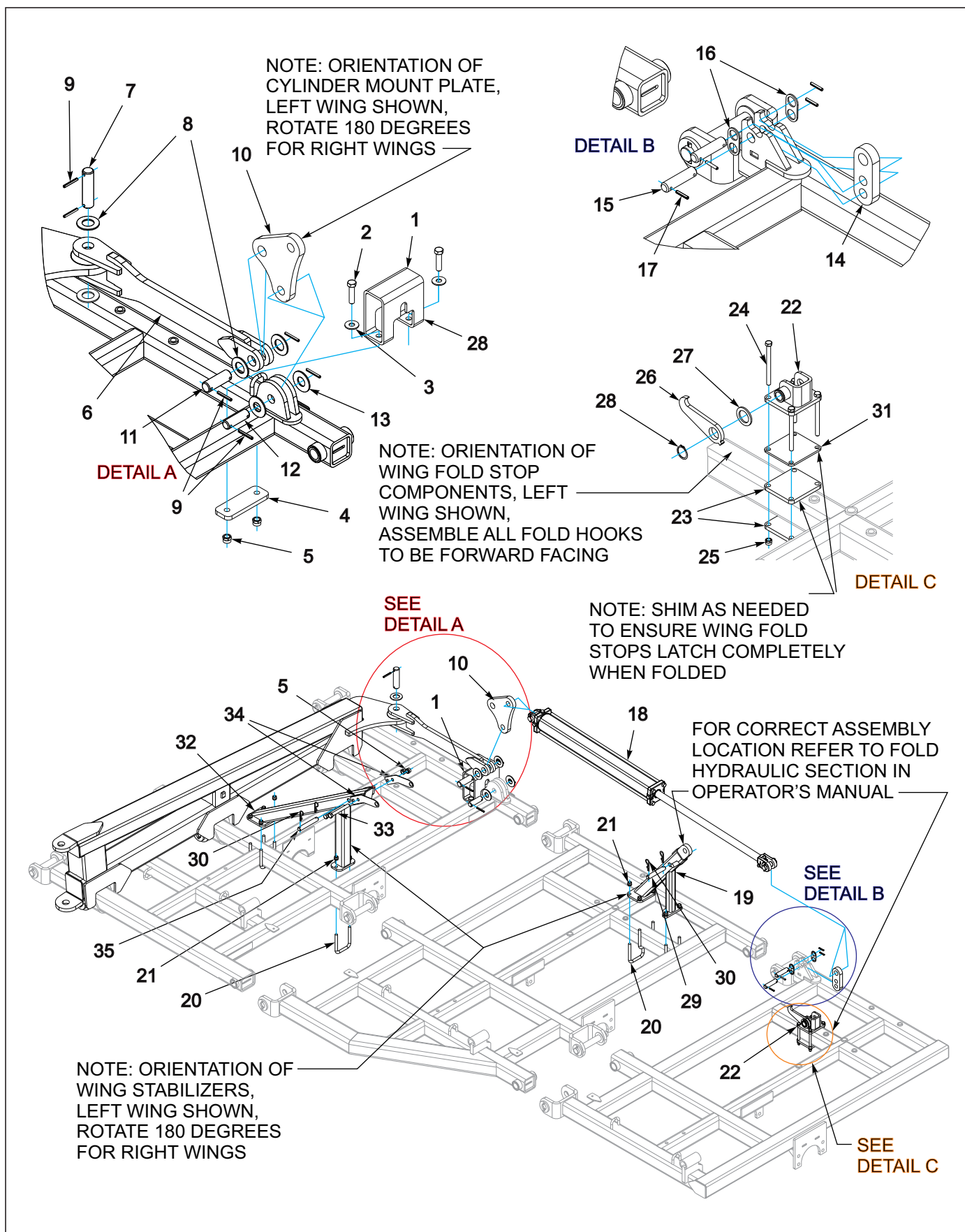
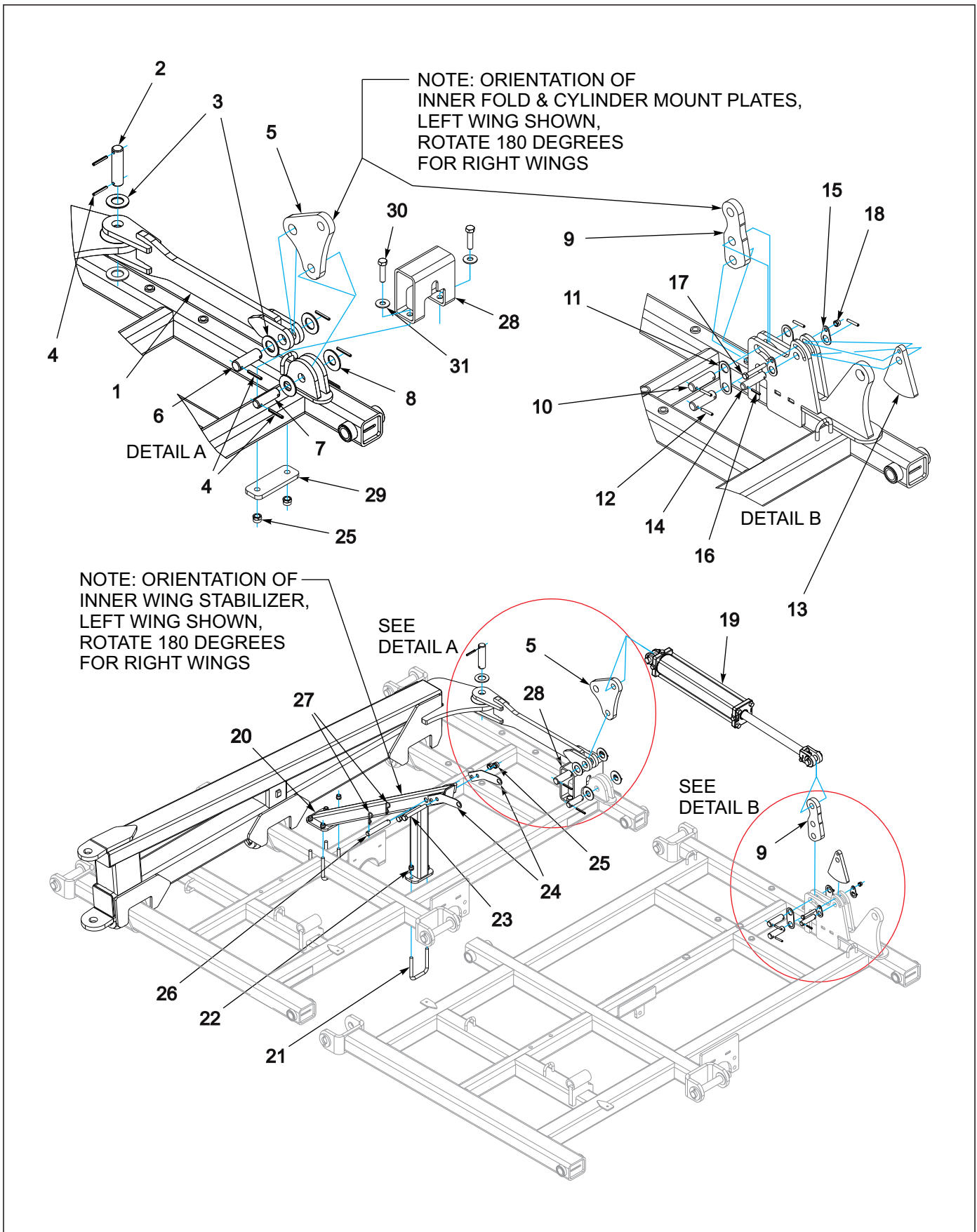


Figure 1-30: Wing Fold Assembly 1770-40'

Wing Fold Assembly 1770-40'

ITEM	PART NO.	DESCRIPTION	QTY.
1	208774	RECT TUBE, LINKAGE STOP	1
2	1-654-010061-09	SCREW HX CP 3/4-10UNCX3 GR5	2
3	1-861-010032-21	WASHER, FLAT 3/4 W ZP/CD	2
4	156955	PLATE, REAR JACK	1
5	1-512-010005-15	NUT,HEX,SLFLKG GRB 3/4-10	4
6	207026	WLDMT, FOLD CYL LINKAGE	1
7	207661	PIN, Ø1-1/2 X 5-3/4 FOLD LINK	1
8	1-861-010032-32	WASHER FLAT ZP/CD 1-1/2	4
9	1-647-010004240	PIN,SPRING,SLOTTED,5/16X2-1/2	6
10	209450	PLATE, FOLD CYL MNT	1
11	207660	PIN, Ø1-1/2 X 4-1/4 FOLD LINK	1
12	207658	PIN, Ø1-1/4 X 4 INNER FOLD	1
13	1-861-010032-29	WASHER, FLAT 1-1/4 W ZP/CD	2
14	205480	PLATE, OUTER FOLD	1
15	207647	PIN, Ø1 X 4 OUTER FOLD	2
16	207646	WASHER, OUTER FOLD	2
17	1-647-010004217	SPRING PIN, SLOTTED 1/4X1-1/2	4
18	206981	CYLINDER, 4 X 36 3000PSI, BLUE (SEE PAGE 1-127)	1
19	207697	WING STABILIZER WLDMT, OUTER	1
20	6-102-010009	U-BOLT RIGID GA WHEEL	6
21	1-512-010005-13	NUT,HEX SLFLKG GRB 5/8-11	12
22	207696	WING FOLD STOP WLDMT	2
23	208729	PLATE, WING FOLD STOP	6
24	1-654-010055-18	SCREW HX CP, 1/2-13UNCX6-1/2G5	4
25	1-512-010005-09	NUT,HEX,SLFLKG, 1/2-13 GRB	4
26	208727	HOOK, WING FOLD STOP	1
27	208730	WASHER, WING FOLD STOP	1
28	208728	SNAP RING, 1-5/8 SHAFT	1
29	158299	PIN 1X7-5/16	1
30	1-557-010013	PIN, HAIR 3/16 DIA	4
31	208809	1/4" SHIM, WING FOLD STOP	4
32	209452	WING STABILIZER WLDMT, INNER	1
33	W908409-4	SCR 3/4-10X6 HEX HD CAP	2
34	209453	BRACKET, WING STABILIZER	2
35	2-557-010006	PIN RADIUS ROD LOWER	1

ILLUSTRATED PARTS LIST



Inner Wing Fold Assembly 1790-52'

ITEM	PART NO.	DESCRIPTION	QTY.
1	207026	WLDMT, FOLD CYL LINKAGE	1
2	207661	PIN, Ø1-1/2 X 5-3/4 FOLD LINK	1
3	1-861-010032-32	WASHER FLAT ZP/CD 1-1/2	4
4	1-647-010004240	PIN, SPRING, SLOTTED, 5/16X2-1/2	6
5	207025	PLATE, FOLD CYL MNT	1
6	207660	PIN, Ø1-1/2 X 4-1/4 FOLD LINK	1
7	207658	PIN, Ø1-1/4 X 4 INNER FOLD	1
8	1-861-010032-29	WASHER, FLAT 1-1/4 W ZP/CD	2
9	207652	PLATE, INNER FOLD	1
10	207658	PIN, Ø1-1/4 X 4 INNER FOLD	2
11	207657	WASHER, INNER FOLD	2
12	147072	PIN, SPRING SLOTTED 5/16 X 2	4
13	207653	PLATE, INNER FOLD	1
14	207647	PIN, Ø1 X 4 OUTER FOLD	1
15	207659	WASHER, INNER FOLD	2
16	1-647-010004217	SPRING PIN, SLOTTED 1/4X1-1/2	2
17	1-654-010055-11	SCREW, HX CP 1/2-13UNCX3-1/2	1
18	1-512-010005-09	NUT, HEX, SLFLKG, 1/2-13 GRB	1
19	208779	CYLINDER, 4-1/2 X 20 3000PSI, BLUE (SEE PAGE 1-126)	1
20	207699	WING STABILIZER WLDMT, INNER	1
21	6-102-010009	U-BOLT RIGID GA WHEEL	3
22	1-512-010005-13	NUT, HEX SLFLKG GRB 5/8-11	6
23	W908409-4	SCR 3/4-10X6 HEX HD CAP	2
24	208745	BRACKET, WING STABILIZER	2
25	1-512-010005-15	NUT, HEX, SLFLKG GRB 3/4-10	4
26	2-557-010006	PIN RADIUS ROD LOWER	1
27	1-557-010013	PIN, HAIR 3/16 DIA	2
28	208774	RECT TUBE, LINKAGE STOP	1
29	156955	PLATE, REAR JACK	1
30	1-654-010061-09	SCREW HX CP 3/4-10UNCX3 GR5	2
31	1-861-010032-21	WASHER, FLAT 3/4 W ZP/CD	2

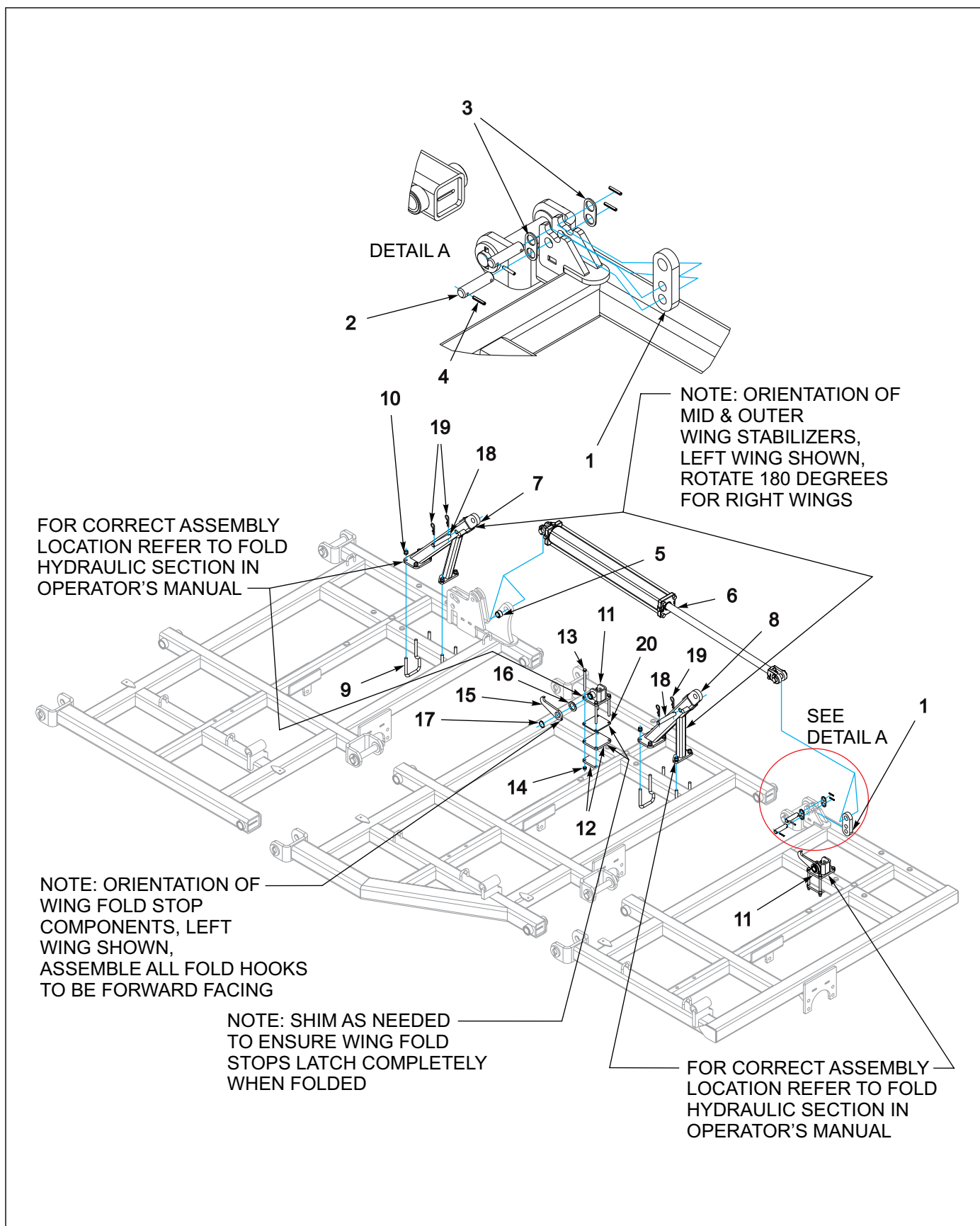


Figure 1-32: Outer Wing Fold Assembly 1790-52'

Outer Wing Fold Assembly 1790-52'

ITEM	PART NO.	DESCRIPTION	QTY.
1	205480	PLATE, OUTER FOLD	1
2	207647	PIN, Ø1 X 4 OUTER FOLD	2
3	207646	WASHER, OUTER FOLD	2
4	1-647-010004217	SPRING PIN, SLOTTED 1/4X1-1/2	4
5	2-150-010174	BUSHING,1-5/8X1-1/4X1	1
6	206981	CYLINDER, 4 X 36 3000PSI, BLUE (SEE PAGE 1-127)	1
7	207698	WING STABILIZER WLDMT, MID	1
8	207697	WING STABILIZER WLDMT, OUTER	1
9	6-102-010009	U-BOLT RIGID GA WHEEL	6
10	1-512-010005-13	NUT,HEX SLFLKG GRB 5/8-11	12
11	207696	WING FOLD STOP WLDMT	2
12	208729	PLATE, WING FOLD STOP	6
13	1-654-010055-18	SCREW HX CP,1/2-13UNCX6-1/2G5	8
14	1-512-010005-09	NUT,HEX,SLFLKG, 1/2-13 GRB	8
15	208727	HOOK, WING FOLD STOP	2
16	208730	WASHER, WING FOLD STOP	2
17	208728	SNAP RING, 1-5/8 SHAFT	2
18	158299	PIN 1X7-5/16	2
19	1-557-010013	PIN, HAIR 3/16 DIA	4
20	208809	1/4" SHIM, WING FOLD STOP	4

ILLUSTRATED PARTS LIST

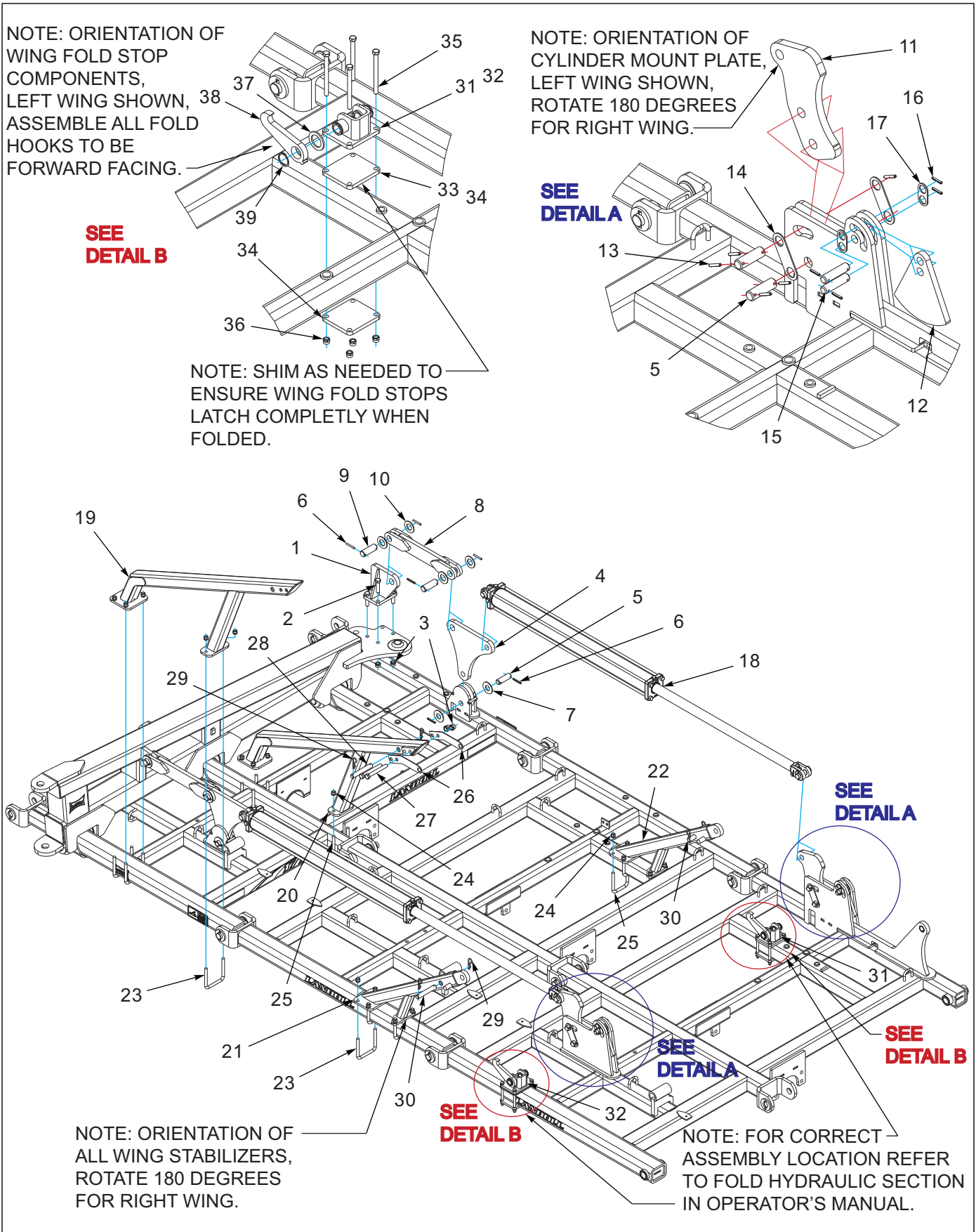


Figure 1-33: Inner Wing Fold Assembly 1710-64'

Inner Wing Fold Assembly 1710-64'

ITEM	PART NO.	DESCRIPTION	QTY.
1	216066	LINKAGE MNT, INNER FOLD WLDMT	1
2	1-654-010061-09	SCREW HX CP 3/4-10UNCX3 GR5	4
3	1-512-010005-15	NUT,HEX,SLFLKG GRB 3/4-10	6
4	214570	PLATE, FOLD CYL MNT	2
5	207658	PIN, Ø1-1/4 X 4 INNER FOLD	6
6	1-647-010004240	PIN,SPRING,SLOTTED,5/16X2-1/2	12
7	1-861-010032-29	WASHER, FLAT 1-1/4 W ZP/CD	4
8	216075	WLDMT, FOLD CYL LINKAGE	2
9	207660	PIN, Ø1-1/2 X 4-1/4 FOLD LINK	4
10	1-861-010032-32	WASHER FLAT ZP/CD 1-1/2	8
11	216095	PLATE, INNER FOLD	2
12	216096	PLATE, INNER FOLD	2
13	147072	PIN, SPRING SLOTTED 5/16 X 2	8
14	216097	WASHER, INNER FOLD	4
15	207647	PIN, Ø1 X 4 OUTER FOLD	4
16	1-647-010004217	SPRING PIN, SLOTTED 1/4X1-1/2	8
17	207646	WASHER, OUTER FOLD	4
18	201347	CYLINDER-HYD,4X48,2-1/4RD,3000 (SEE PAGE 1-128)	2
19	214566	WING STABILIZER INNER	1
20	214565	WING STABILIZER, INNER	1
21	214564	WING STABILIZER, INNER	1
22	214563	WING STABILIZER, INNER	1
23	176598	U-BOLT 5/8X5-11/16X5-1/2	6
24	1-512-010005-13	NUT,HEX SLFLKG GRB 5/8-11	12
25	6-102-010009	U-BOLT RIGID GA WHEEL	6
26	214567	BRACKET, WING STABILIZER	2
27	W908409-4	SCREW 3/4-10X6 HEX HD CAP	2
28	2-557-010006	PIN RADIUS ROD LOWER	1
29	1-557-010013	PIN, HAIR 3/16 DIA	6
30	158299	PIN 1X7-5/16	2
31	207696	WING FOLD STOP (USED ON 4 X 4 REAR TUBE)	1
32	214568	WING FOLD STOP WLDMT (USED ON 5 X 4 FRONT TUBE)	1
33	208809	1/4" SHIM, WING FOLD STOP (USED WITH 207696)	1
33	216073	1/4" SHIM, WING FOLD STOP (USED WITH 214568)	1
34	208729	PLATE, WING FOLD STOP (USED WITH 207696)	2
34	216072	PLATE, WING FOLD STOP (USED WITH 214568)	2
35	1-654-010055-14	SCREW,HX CP,1/2-13UNCX4-1/2G5 (USED WITH 207696)	4
35	1-654-010055-17	SCREW,HEX CAP,1/2-13UNCX6 GR5 (USED WITH 214568)	4
36	1-512-010005-09	NUT,HEX,SLFLKG, 1/2-13 GRB	8
37	208730	WASHER, WING FOLD STOP	2
38	208727	HOOK, WING FOLD STOP	2
39	208728	SNAP RING, 1-5/8 SHAFT	2

ILLUSTRATED PARTS LIST

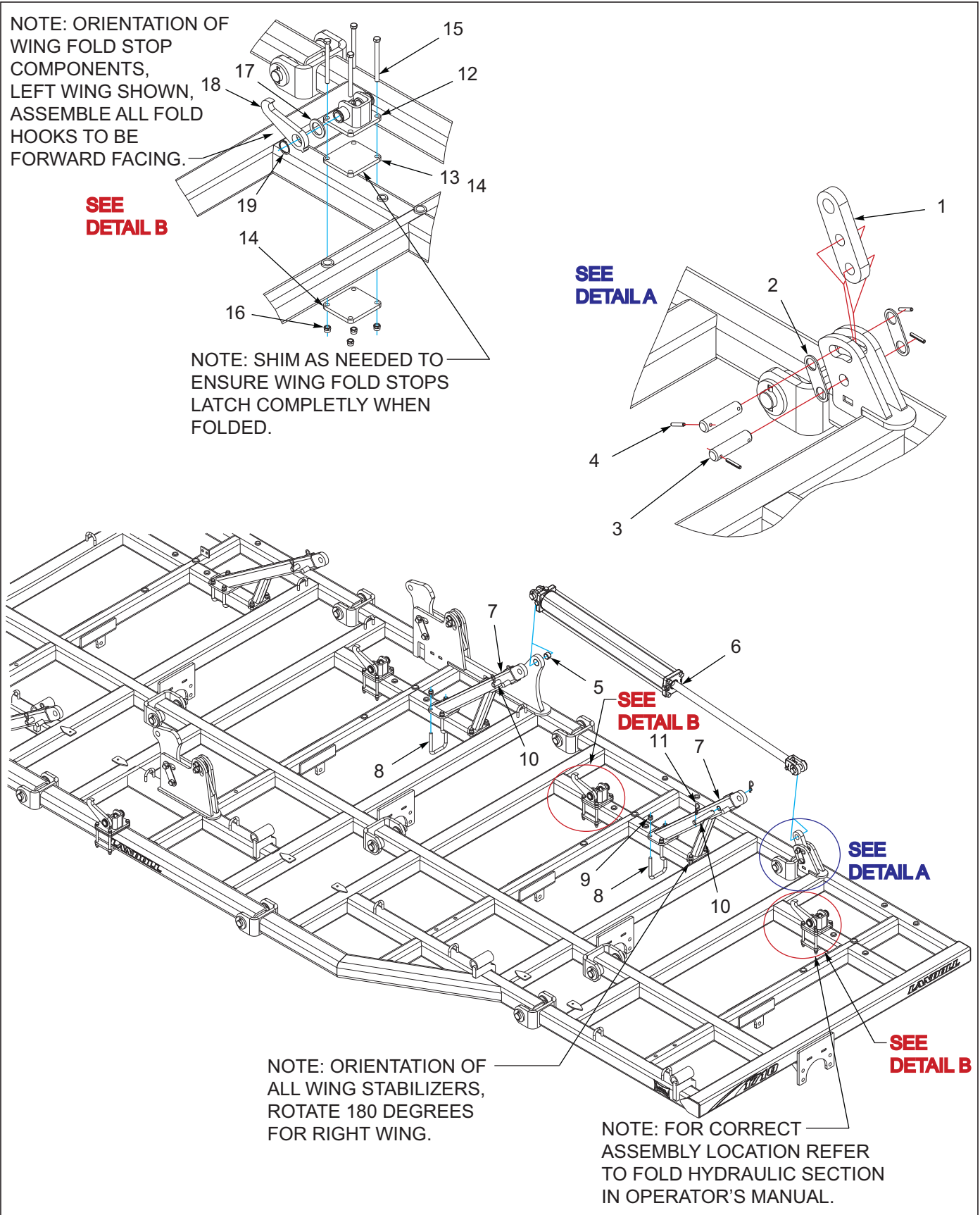


Figure 1-34: Outer Wing Fold Assembly 1710-64'

Outer Wing Fold Assembly 1710-64'

ITEM	PART NO.	DESCRIPTION	QTY.
1	216102	PLATE, OUTER FOLD	1
2	211418	WASHER, OUTER FOLD	2
3	207647	PIN, Ø1 X 4 OUTER FOLD	2
4	1-647-010004217	SPRING PIN, SLOTTED 1/4X1-1/2	4
5	2-150-010174	BUSHING,1-5/8X1-1/4X1	1
6	206981	CYLINDER, 4 X 36 3000PSI, BLUE (SEE PAGE 1-127)	1
7	214562	WING STABILIZER, OUTER	2
8	6-102-010009	U-BOLT RIGID GA WHEEL	6
9	1-512-010005-13	NUT,HEX SLFLKG GRB 5/8-11	12
10	158299	PIN 1X7-5/16	2
11	1-557-010013	PIN, HAIR 3/16 DIA	4
12	207696	WING FOLD STOP WLDMT	2
13	208809	1/4" SHIM, WING FOLD STOP	2
14	208729	PLATE, WING FOLD STOP	4
15	1-654-010055-17	SCREW,HEX CAP,1/2-13UNCX6 GR5	8
16	1-512-010005-09	NUT,HEX,SLFLKG, 1/2-13 GRB	8
17	208730	WASHER, WING FOLD STOP	2
18	208727	HOOK, WING FOLD STOP	2
19	208728	SNAP RING, 1-5/8 SHAFT	2

Blade Standard Assemblies

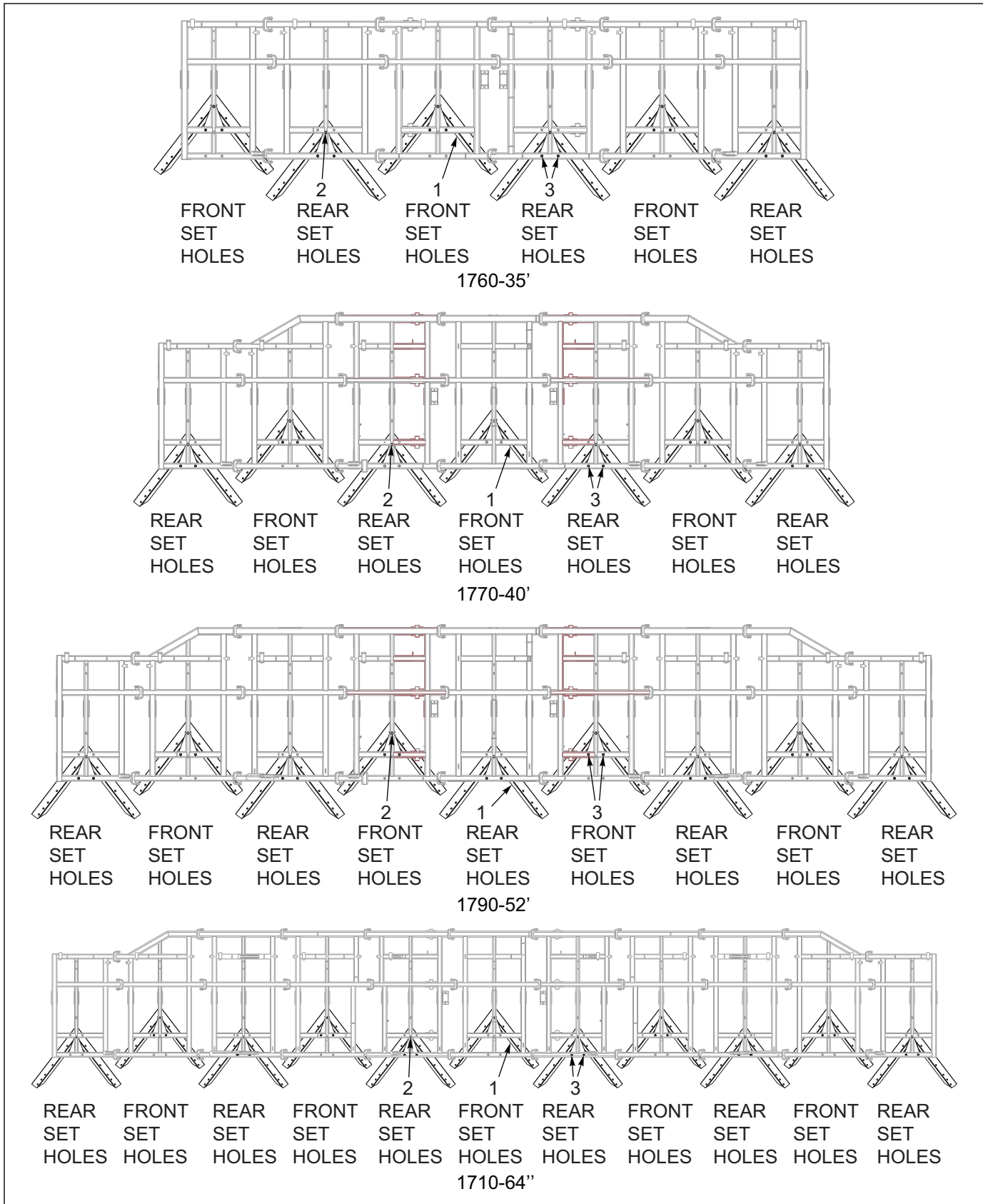


Figure 1-35: Shank & Blade Placement

Shank & Blade Placement

ITEM	PART NO.	DESCRIPTION	QTY.			
--	----	1760-35' SHANK & BLADE PLACEMENT'	*			
--	----	1770-40' SHANK & BLADE PLACEMENT'	*			
--	----	1790-52' SHANK & BLADE PLACEMENT'	*			
--	----	1710-64' SHANK & BLADE PLACEMENT'	*			
1	205451	WLDMT, 6' BLADE STANDARD (SEE PAGE 1-71)	6	7	9	11
1	202257	BLADE, 75° X 6' TOP HARDFACED	6	7	9	11
1	205461	BOLT, PLOW 1/2-13X1-3/4 GR5 ZP	84	98	126	154
1	114911	NUT,HVY HEX,1/2-13UNC GR5	54	98	126	154
2	100830	SCREW,HEX CAP,1-8X7,GR5	6	7	9	11
2	207666	1/16" SHIM, Ø1 BLADE STANDARD	6	7	9	11
2	207667	1/8" SHIM, Ø1 BLADE STANDARD	6	7	9	11
2	1-512-010005-19	NUT 1-8 HEX SLF-LOCKING GRB	6	7	9	11
3	1-654-010061-19	SCREW,HX CP 3/4-10UNCX7 GR5	12	14	18	22
3	207664	1/16"SHIM, Ø3/4 BLADE STANDARD	12	14	18	22
3	207665	1/8" SHIM, Ø3/4 BLADE STANDARD	12	14	18	22
3	622-3511-008	WASHER, FLAT 3/4 MIL-CARB SAE	12	14	18	22
3	1-512-010005-15	NUT,HEX,SLFLKG GRB 3/4-10	12	14	18	22

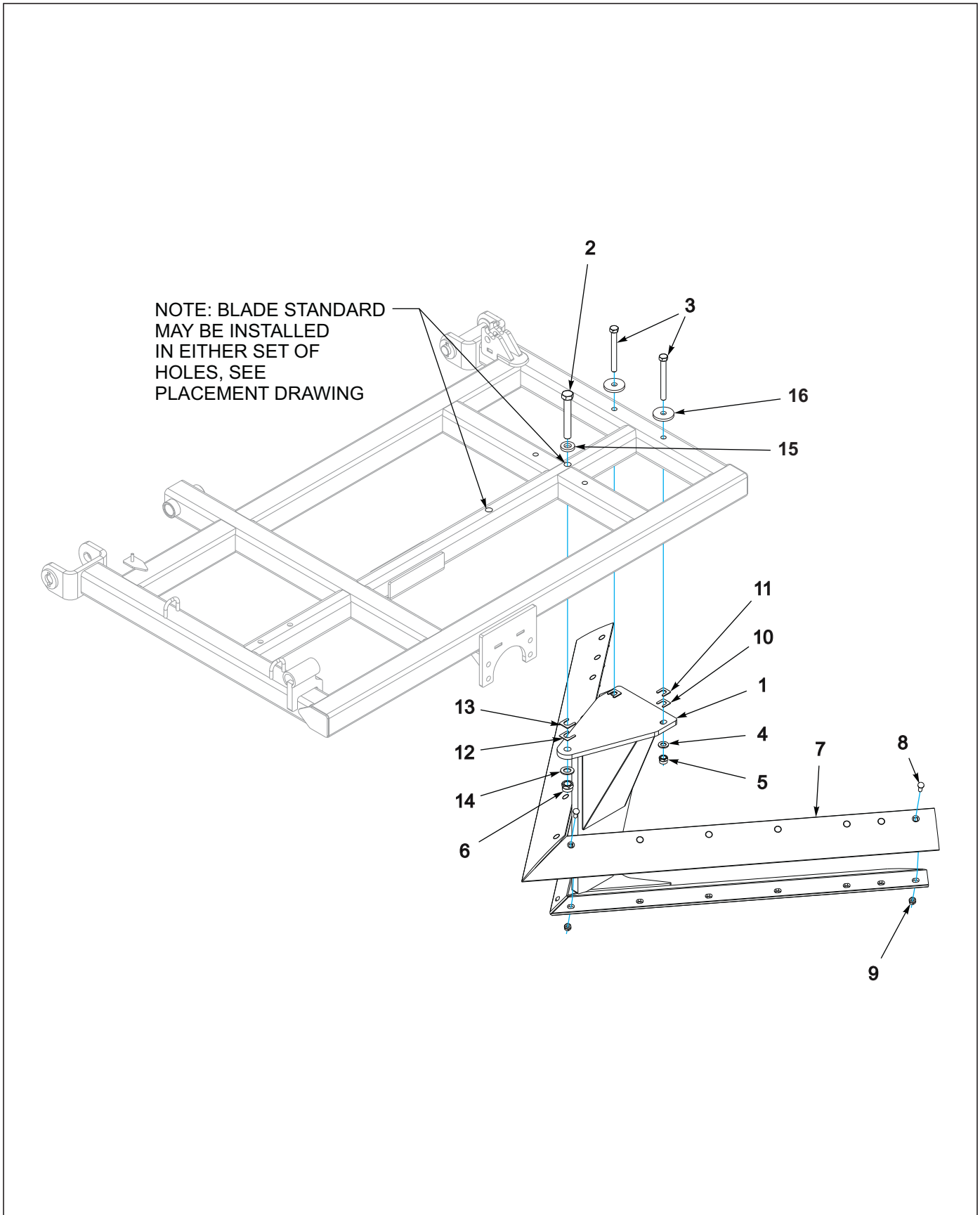


Figure 1-36: Blade & Standard Assembly

Blade & Standard Assembly

ITEM	PART NO.	DESCRIPTION	QTY.
1	205451	WLDMT, 6' BLADE STANDARD (SEE PAGE 1-68)	1
2	100830	SCREW,HEX CAP,1-8X7,GR5	1
3	1-654-010061-19	SCREW,HX CP 3/4-10UNCX7 GR5	2
4	622-3511-008	WASHER, FLAT 3/4 MIL-CARB SAE	2
5	1-512-010005-15	NUT,HEX,SLFLKG GRB 3/4-10	2
6	1-512-010005-19	NUT 1-8 HEX SLF-LOCKING GRB	1
7	202257	BLADE, 75° X 6' TOP HARDFACED	1
8	205461	BOLT, PLOW 1/2-13X1-3/4 GR5 ZP	14
9	114911	NUT,HVY HEX,1/2-13UNC GR5	14
10	207664	1/16"SHIM, Ø3/4 BLADE STANDARD	2
11	207665	1/8" SHIM, Ø3/4 BLADE STANDARD	2
12	207666	1/16" SHIM, Ø1 BLADE STANDARD	1
13	207667	1/8" SHIM, Ø1 BLADE STANDARD	1
14	622-3511-010	WASHER, FLAT 1" MIL-CARB SAE	1
15	225548	WASHER, Ø1.06 X Ø2.00 X 3/8 (AFTER 05-18-2020) (1760 QTY. 6, 1770 QTY. 7, 1790 QTY.9, 1710 QTY. 11)	
16	225549	WASHER, Ø.81 X Ø3.00 X 3/8 (AFTER 05-18-2020) (1760 QTY. 12, 1770 QTY. 14, 1790 QTY. 18, 1710 QTY. 18)	

Coulter Assemblies

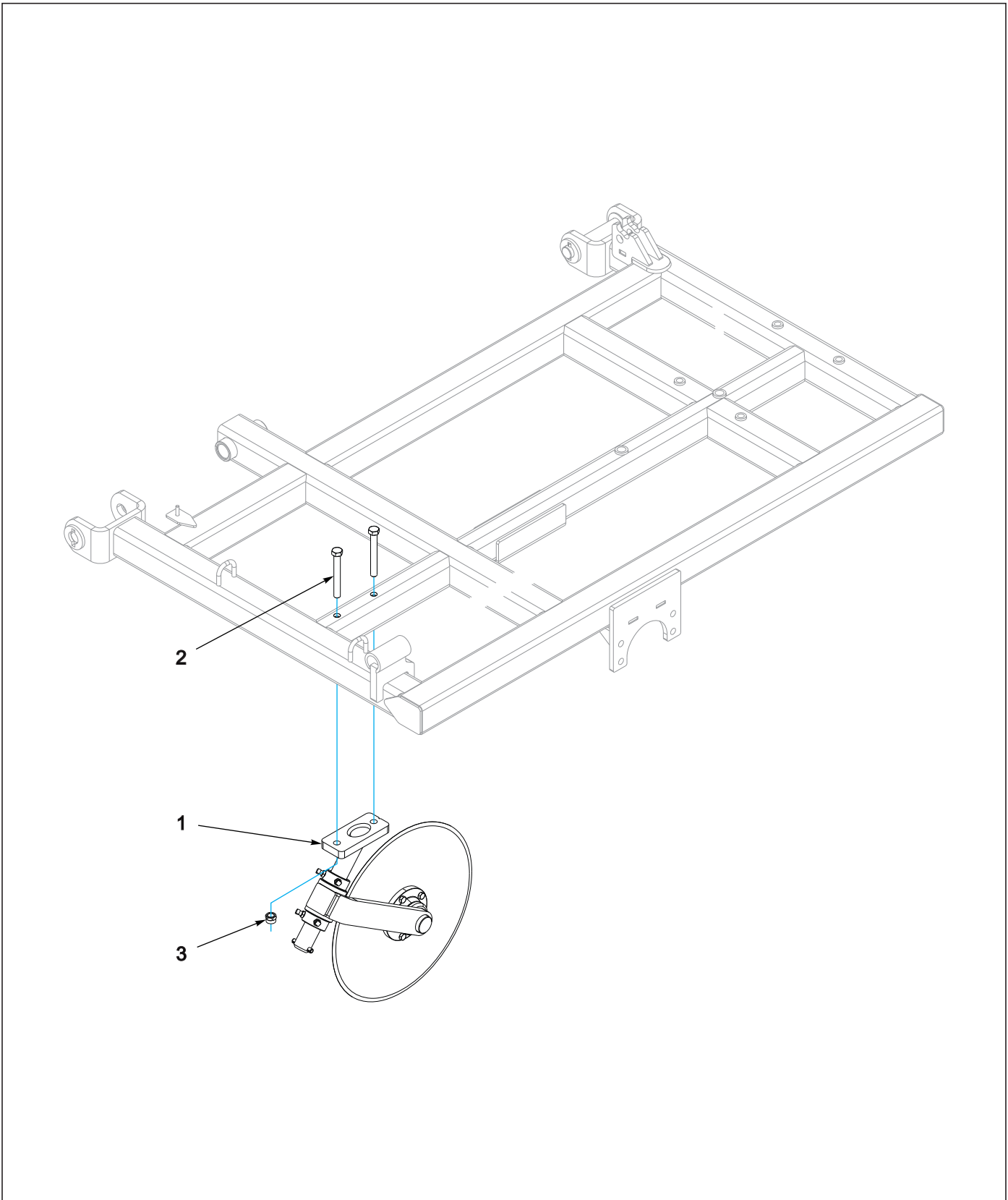


Figure 1-37: Coulter Assembly

Coulter Assembly

ITEM	PART NO.	DESCRIPTION	QTY.
1	205467	COULTER ASSY, 22" STR BLADE	1
2	W908409-4	SCR 3/4-10X6 HEX HD CAP	2
3	1-512-010005-15	NUT,HEX,SLFLKG GRB 3/4-10	2

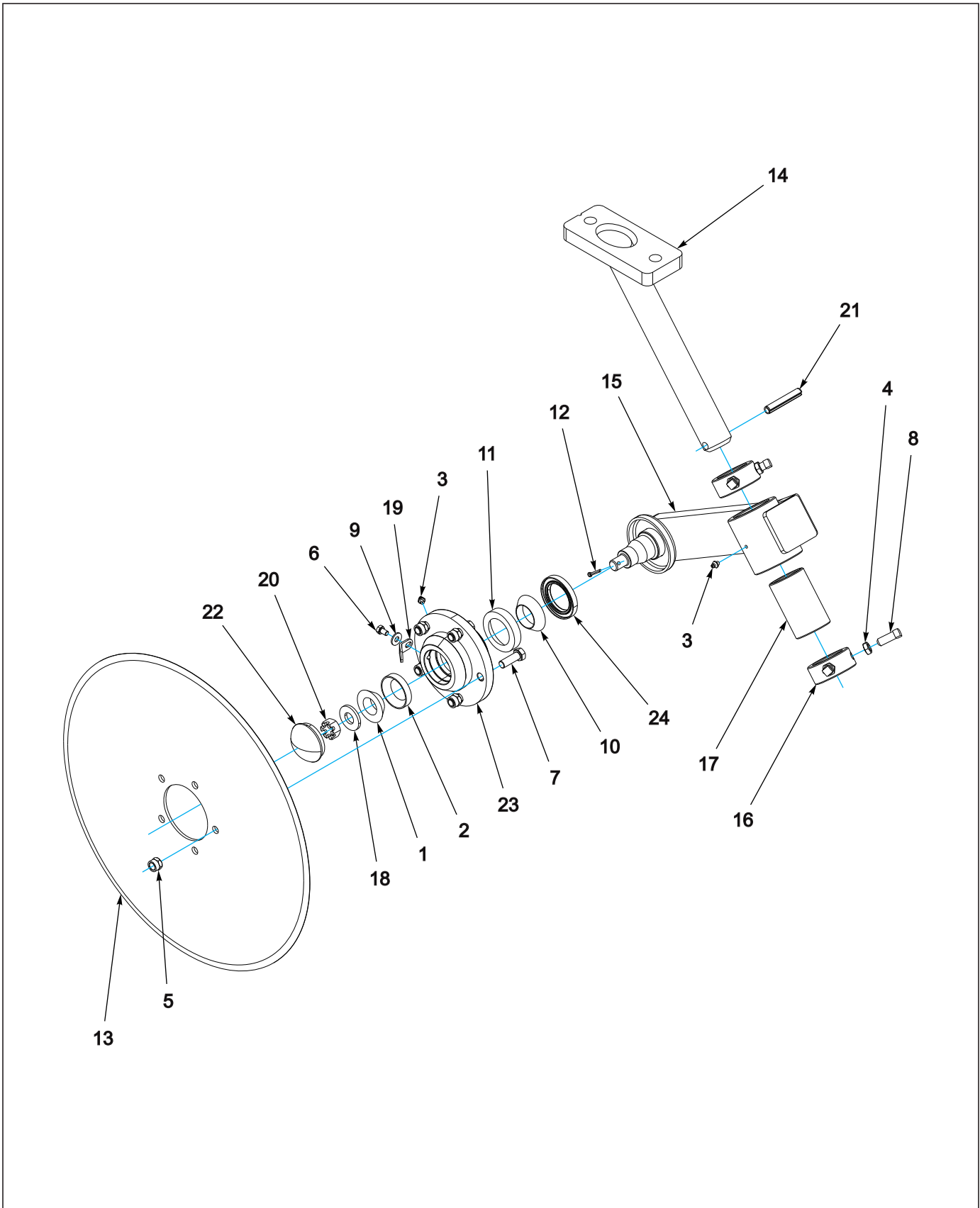


Figure 1-38: Coultter and Arm Assembly

Coulter and Arm Assembly

ITEM	PART NO.	DESCRIPTION	QTY.
--	205467	COULTER ASSY 22"STRAIGHT BLADE	
1	1-076-010007	CONE INNER	1
2	1-076-010010	CUP INNER	1
3	1-298-010001-1	ZERK FITTING 1/4 SAE	2
4	1-511-010001-05	NUT HEX JAM 1/2-13	4
5	1-512-010005-09	NUT,HEX,SLFLKG, 1/2-13 GRB	5
6	1-654-010049-01	SCREW,HEX CAP,5/16-18UNCX1/2	1
7	1-654-010055-03	SCREW,HEX CAP,1/2-13UNCX1-1/2	5
8	1-654-010080-2	SCREW SET1/2X1-1/4 SQHD CP PT	4
9	1-861-010032-09	WASHER, FLAT 5/16 W ZP/CD	1
10	102498	BEARING CONE,OUTER, 1.625	1
11	102604	BEARING CUP, OUTER	1
12	110-0344	5/32X1 COTTER PIN	1
13	176846	COULTER 22" SMOOTH	1
14	205468	WLDMT, COULTER MNT SHAFT	1
15	205469	WLDMT, COULTER ARM	1
16	207674	LOCKING COLLAR, Ø2" SHAFT	2
17	207675	2" BEARING, COULTER ARM	1
18	3J397	WASHER	1
19	3K613	CAP STRAP	1
20	3/4-16HSN	HEX SLOTTED NUT	1
21	5D979	ROLL PIN 1/2 X 3	1
22	6D337	HUB CAP	1
23	9K453	HUB (USES 3K612W HUB BLANK)	1
24	9K454	GREASE SEAL	1

Treader Wheel Assemblies

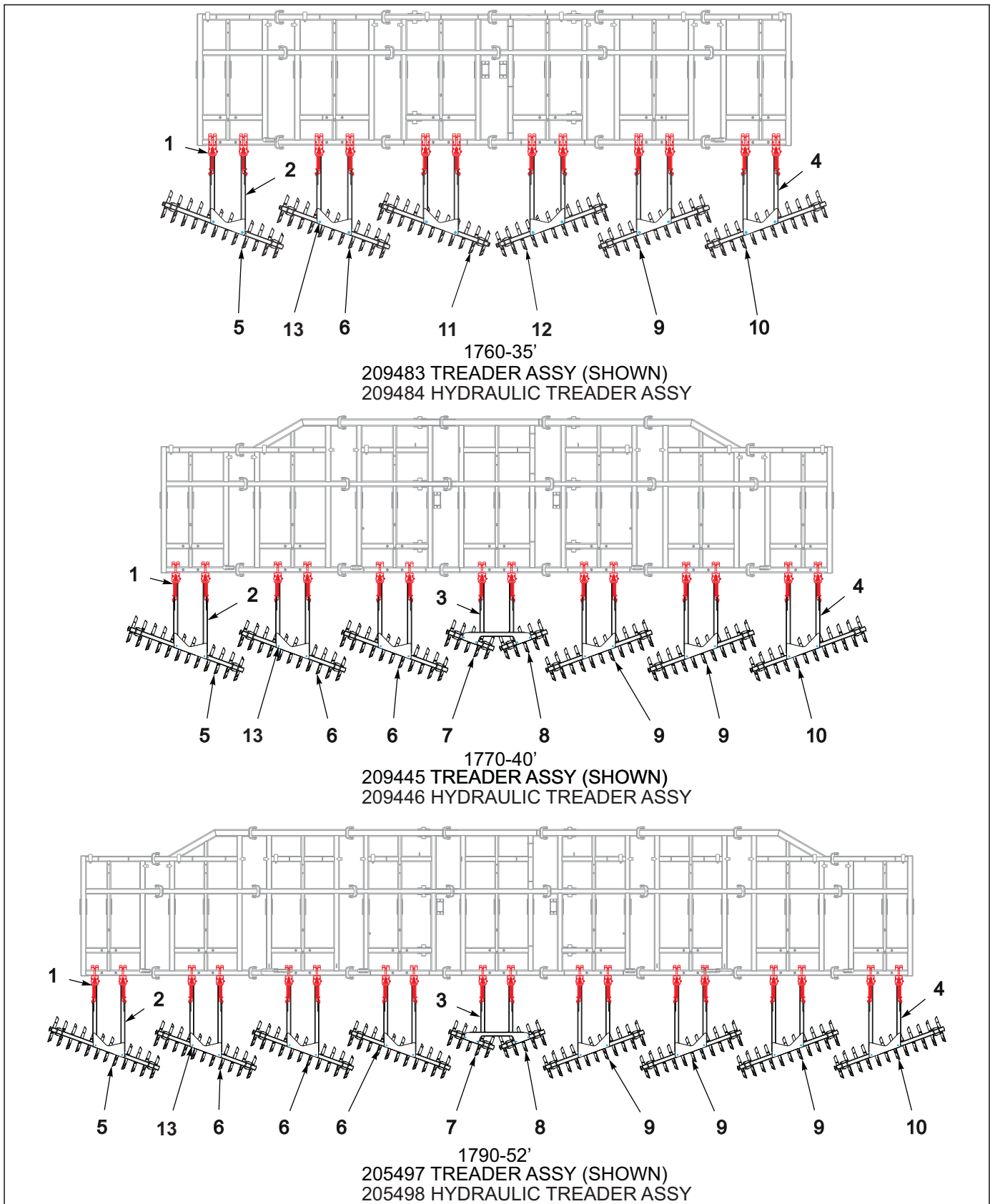


Figure 1-39: Treader Assembly 1760-35', 1770-40' & 1790-52'

Treader Assembly 1760-35', 1770-40' & 1790-52'

ITEM	PART NO.	DESCRIPTION	QTY.		
--	209483	TREADER ASSY, 1760-35 (SHOWN)	*		
--	209484	HYD TREADER ASSY, 1760-35	*		
--	209445	TREADER ASSY, 1770-40 (SHOWN)		*	
--	209446	HYD TREADER ASSY, 1770-40		*	
--	205497	TREADER ASSY, 1790-52 (SHOWN)			*
--	205498	HYD TREADER ASSY, 1790-52			*
1	-----	TREADER BRACKET ASSEMBLY (SEE PAGE 1-81) OR (SEE PAGE 1-83)	12	14	18
2	206966	WLDMT, TREADER ARM, LH (SEE PAGE 1-93)	2	3	4
3	206968	WLDMT, TREADER ARM, CTR (SEE PAGE 1-81)	--	1	1
4	206967	WLDMT, TREADER ARM, RH (SEE PAGE 1-81)	2	3	4
5	205492	GANG ASSY 12 WHL Ø20" TREAD LH (SEE PAGE 1-93)	1	1	1
6	205491	GANG ASSY 11 WHL Ø20" TREAD LH (SEE PAGE 1-93)	1	2	3
7	205493	GANG ASSY 5 WHL Ø20" TREAD LH (SEE PAGE 1-93)	--	1	1
8	205496	GANG ASSY 5 WHL Ø20" TREAD RH (SEE PAGE 1-95)	--	1	1
9	205494	GANG ASSY 11 WHL Ø20" TREAD RH (SEE PAGE 1-95)	1	2	3
10	205495	GANG ASSY 12 WHL Ø20" TREAD RH (SEE PAGE 1-95)	1	1	1
11	211419	GANG, 11 WHEEL Ø20" TREADER,LH (SEE PAGE 1-95)	1	--	--
12	211420	GANG, 11 WHEEL Ø20" TREADER,RH (SEE PAGE 1-95)	1	--	--
13	1-654-010061-15	SCREW,HX CP 3/4-10UNCX5 GR5	12	16	20
13	1-512-010005-15	NUT,HEX,SLFLKG GRB 3/4-10	12	16	20

ILLUSTRATED PARTS LIST

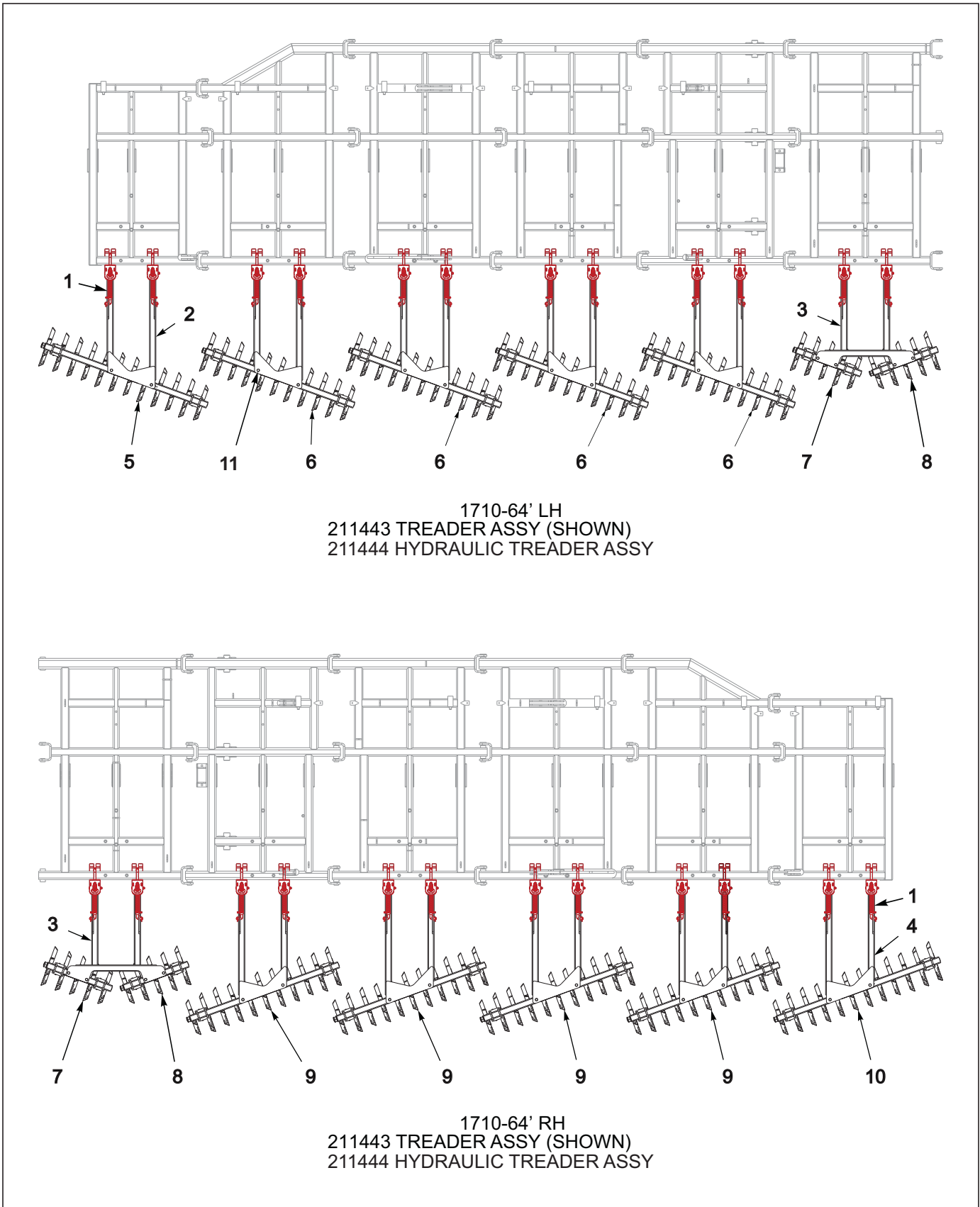


Figure 1-40: Treader Assembly 1710-64'

Treader Assembly 1710-64'

ITEM	PART NO.	DESCRIPTION	QTY.
--	211443	TREADER ASSY, 1710-64 (SHOWN)	
--	211444	HYD TREADER ASSY, 1710-64	
1	-----	TREADER BRACKET ASSEMBLY (SEE PAGE 1-81) OR (SEE PAGE 1-83)	22
2	206966	WLDMT, TREADER ARM, LH (SEE PAGE 1-93)	5
3	206968	WLDMT, TREADER ARM, CTR (SEE PAGE 1-81)	1
4	206967	WLDMT, TREADER ARM, RH (SEE PAGE 1-81)	5
5	205492	GANG ASSY 12 WHL Ø20" TREAD LH (SEE PAGE 1-93)	1
6	205491	GANG ASSY 11 WHL Ø20" TREAD LH (SEE PAGE 1-93)	4
7	205493	GANG ASSY 5 WHL Ø20" TREAD LH (SEE PAGE 1-93)	1
8	205496	GANG ASSY 5 WHL Ø20" TREAD RH (SEE PAGE 1-95)	1
9	205494	GANG ASSY 11 WHL Ø20" TREAD RH (SEE PAGE 1-95)	4
10	205495	GANG ASSY 12 WHL Ø20" TREAD RH (SEE PAGE 1-95)	1
11	1-654-010061-15	SCREW,HX CP 3/4-10UNCX5 GR5	12
11	1-512-010005-15	NUT,HEX,SLFLKG GRB 3/4-10	12

ILLUSTRATED PARTS LIST

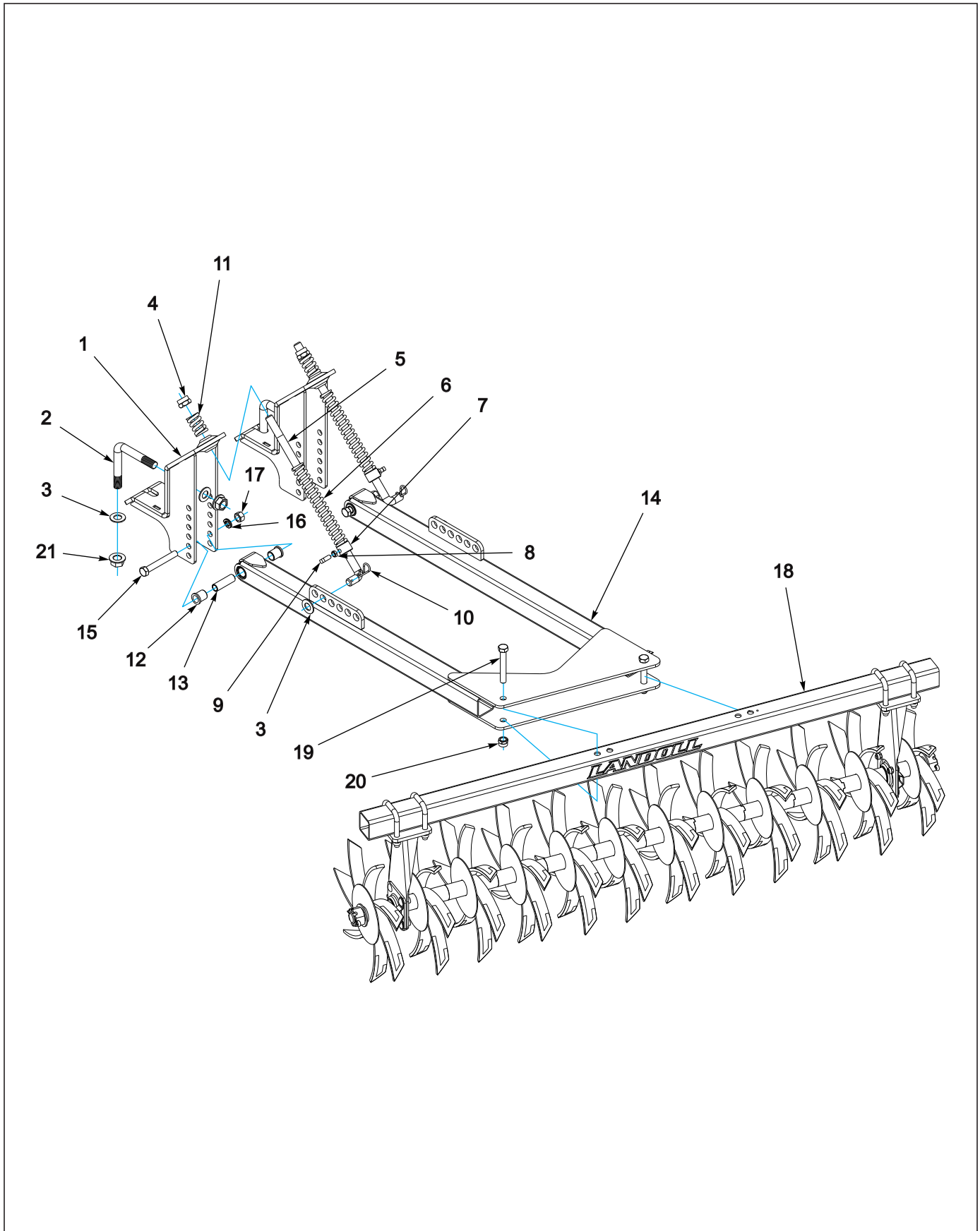


Figure 1-41: Bracket & Treader Assembly

Bracket & Treader Assembly

ITEM	PART NO.	DESCRIPTION	QTY.
1	206975	WLDMT, TREADER ARM MNT	2
2	206984	L-BOLT, 1-8UNC X 6-3/4 X 6-3/4	2
3	1-861-010032-24	WASHER FL 1IN NARROW ZP	6
4	1-512-010005-19	NUT 1-8 HEX SLF-LOCKING GRB	2
5	207694	RD ROD, TREADER ADJUSTMENT	2
6	206983	COMP SPRING,1.06IDX.33WX11-5/8	2
7	207695	LOCKING COLLAR, Ø1" SHAFT	2
8	1-511-010001-05	NUT HEX JAM 1/2-13	2
9	1-654-010080-2	SCREW SET1/2X1-1/4 SQHD CP PT	2
10	1-557-010013	PIN, HAIR 3/16 DIA	2
11	206982	COMP SPRING,1.06 IDX3/8WX2-5/8	2
12	144264	BEARING FLANGE	4
13	207693	BUSHING, TREADER HINGE	2
14	206966	WLDMT, TREADER ARM, LH (SEE PAGE 1-76)	1
14	206968	WLDMT, TREADER ARM, CTR (SEE PAGE 1-76)	1
14	206967	WLDMT, TREADER ARM, RH (SEE PAGE 1-76)	1
15	1-654-010061-16	SCREW 3/4-10UNCX5-1/2 HXCP G5	2
16	1-861-010034-17	WASHER,LKG,HLCL SPR,3/4	2
17	1-512-010007-12	NUT, HEX 3/4-10 GR2 ZP	2
18	-----	GANG TREADER WHEEL ASSEMBLY (SEE PAGE 1-92) & (SEE PAGE 1-94)	
19	1-654-010061-15	SCREW,HX CP 3/4-10UNCX5 GR5	2
20	1-512-010005-15	NUT,HEX,SLFLKG GRB 3/4-10	2
21	174732	NUT, FLG HD, TOPLOCK, 1-8 UNC	4

ILLUSTRATED PARTS LIST

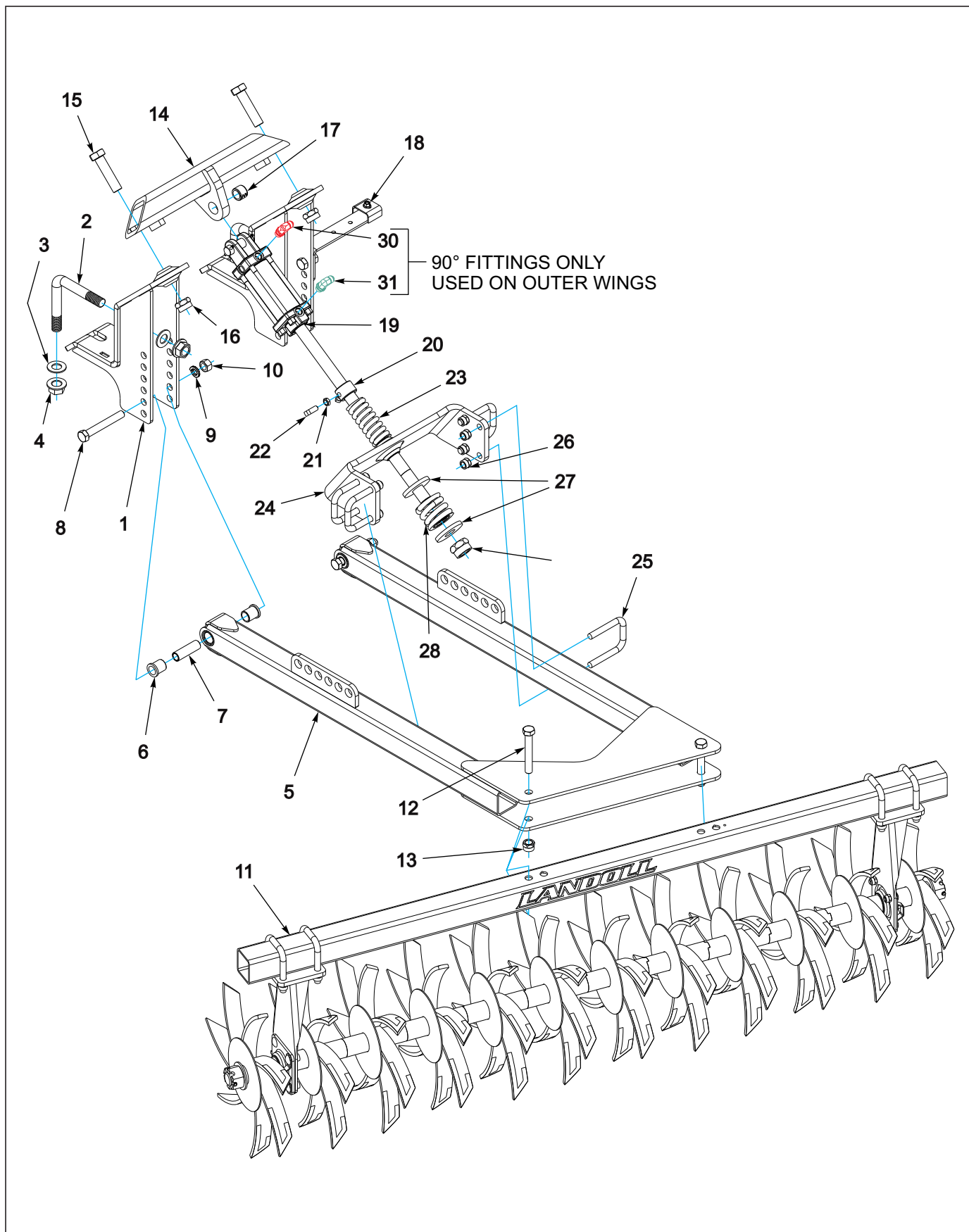


Figure 1-42: Hydraulic Bracket & Treater Assembly 1760-40' & 1770-52'

Hydraulic Bracket & Treader Assembly 1760-40' & 1770-52'

ITEM	PART NO.	DESCRIPTION	QTY.			
--	209484	HYD TREADER ASSY, 1760-35	*			
--	209446	HYD TREADER ASSY, 1770-40	*			
--	214629	1760 FIELD KIT, HYD TREADERS	*			
--	214630	1770 FIELD KIT, HYD TREADERS	*			
1	206975	WLDMT, TREADER ARM MNT	12	14	--	--
2	206984	L-BOLT, 1-8UNC X 6-3/4 X 6-3/4	12	14	--	--
3	1-861-010032-24	WASHER FL 1IN NARROW ZP	24	28	--	--
4	174732	NUT, FLG HD, TOPLOCK, 1-8 UNC	24	28	--	--
5	206966	WLDMT, TREADER ARM, LH (SEE PAGE 1-76)	3	3	--	--
5	206968	WLDMT, TREADER ARM, CTR (SEE PAGE 1-76)	--	1	--	--
5	206967	WLDMT, TREADER ARM, RH (SEE PAGE 1-76)	3	3	--	--
6	144264	BEARING FLANGE	24	28	--	--
7	207693	BUSHING, TREADER HINGE	12	14	--	--
8	1-654-010061-16	SCREW 3/4-10UNCX5-1/2 HXCP G5	12	14	--	--
9	1-861-010034-17	WASHER,LKG,HLCL SPR,3/4	10	10	--	--
10	1-512-010007-12	NUT, HEX 3/4-10 GR2 ZP	26	26	--	--
11	205492	GANG ASSY 12 WHL Ø20" TREAD LH (SEE PAGE 1-92) & (SEE PAGE 1-94)	1	1	--	--
11	205491	GANG ASSY 11 WHL Ø20" TREAD LH (SEE PAGE 1-92) & (SEE PAGE 1-94)	1	2	--	--
11	205493	GANG ASSY 5 WHL Ø20" TREAD LH (SEE PAGE 1-92) & (SEE PAGE 1-94)	--	1	--	--
11	205496	GANG ASSY 5 WHL Ø20" TREAD RH (SEE PAGE 1-92) & (SEE PAGE 1-94)	--	1	--	--
11	205494	GANG ASSY 11 WHL Ø20" TREAD RH (SEE PAGE 1-92) & (SEE PAGE 1-94)	1	2	--	--
11	205495	GANG ASSY 12 WHL Ø20" TREAD RH (SEE PAGE 1-92) & (SEE PAGE 1-94)	1	1	--	--
11	211419	GANG, 11 WHEEL Ø20" TREADER,LH (SEE PAGE 1-92) & (SEE PAGE 1-94)	1	--	--	--
11	211420	GANG, 11 WHEEL Ø20" TREADER,RH (SEE PAGE 1-92) & (SEE PAGE 1-94)	1	--	--	--
12	1-654-010061-15	SCREW,HX CP 3/4-10UNCX5 GR5	12	16	--	--
13	1-512-010005-15	NUT,HEX,SLFLKG GRB 3/4-10	12	16	--	--
14	208782	HYD TREADER MNT, UPPER WLDMT	6	7	6	7
15	1-654-010065-13	SCREW, HX CP 1-8UNC X 4 GR5	12	14	12	14
16	1-512-010005-19	NUT 1-8 HEX SLF-LOCKING GRB	12	14	12	14
17	192890	BUSHING 1-3/8ODX1 IDX1 STEEL	6	7	6	7
18	-----	HOSE MOUNT ASSEMBLY (SEE PAGE 1-88)	10	12	10	12
19	208773	CYLINDER, 2-1/2 X 4 3000 PSI	6	7	6	7
20	208788	LOCKING COLLAR,Ø1-1/4" SHAFT	6	7	6	7
21	1-511-010001-05	NUT HEX JAM 1/2-13	12	14	12	14
22	1-654-010080-2	SCREW SET1/2X1-1/4 SQHD CP PT	12	14	12	14
23	208787	COMP SPRING,1.313IDX.468WIREX5	6	7	6	7
24	208781	HYD TREADER MNT, LOWER WLDMT	6	7	6	7
25	8-102-010012	U BOLT	24	28	24	28
26	1-512-010005-13	NUT,HEX SLFLKG GRB 5/8-11	48	56	48	56
27	211366	WASHER, HYD TREADER	12	14	12	14
28	208786	INNER & OUTER COMP SPRING	6	7	6	7

Hydraulic Bracket & Treader Assembly 1760-40' & 1770-52'

ITEM	PART NO.	DESCRIPTION	QTY.			
29	101385	NUT,HEX SLFLKG,1-1/4-7 GRB	6	7	6	7
30	2062-8-8S	ADAPTER, 90, #8 O-RING-TUBE	2	2	2	2
31	141826	ELBOW 90 1/16 RES	2	2	2	2

ILLUSTRATED PARTS LIST

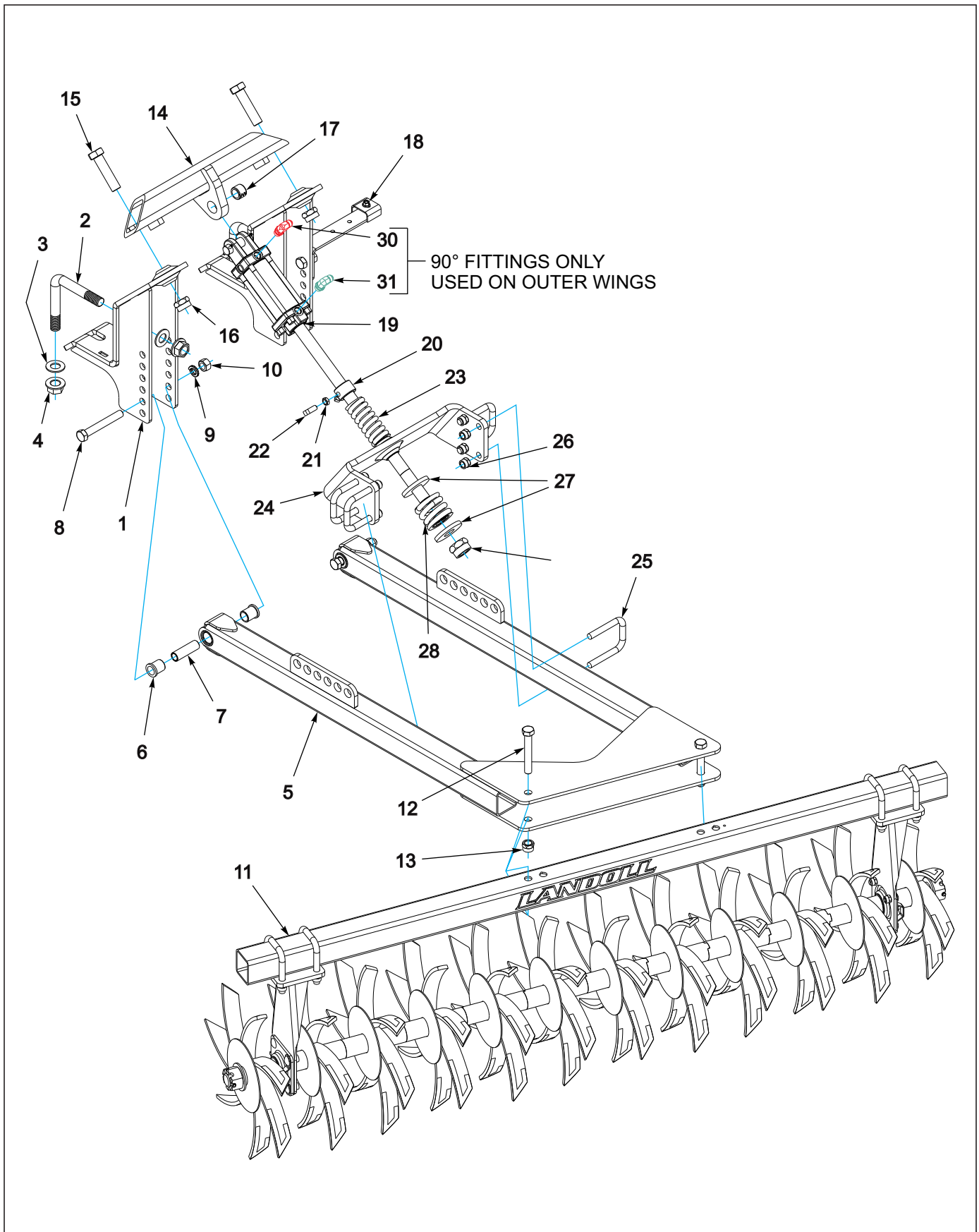


Figure 1-43: Hydraulic Bracket & Treader Assembly 1790-52' & 1710-64'

Hydraulic Bracket & Treader Assembly 1790-52' & 1710-64'

ITEM	PART NO.	DESCRIPTION	QTY.			
--	205498	HYD TREADER ASSY, 1790-52	*			
--	214631	1790 FIELD KIT, HYD TREADERS		*		
--	211444	HYD TREADER ASSY, 1710-64			*	
--	214632	1710 FIELD KIT, HYD TREADERS				*
1	206975	WLDMT, TREADER ARM MNT	18	--	22	--
2	206984	L-BOLT, 1-8UNC X 6-3/4 X 6-3/4	18	--	22	--
3	1-861-010032-24	WASHER FL 1IN NARROW ZP	36	--	44	--
4	174732	NUT, FLG HD, TOPLOCK, 1-8 UNC	36	--	44	--
5	206966	WLDMT, TREADER ARM, LH (SEE PAGE 1-76)	4	--	5	--
5	206968	WLDMT, TREADER ARM, CTR (SEE PAGE 1-76)	1	--	1	--
5	206967	WLDMT, TREADER ARM, RH (SEE PAGE 1-76)	4	--	5	--
6	144264	BEARING FLANGE	36	--	44	--
7	207693	BUSHING, TREADER HINGE	18	--	22	--
8	1-654-010061-16	SCREW 3/4-10UNCX5-1/2 HXCP G5	18	--	22	--
9	1-861-010034-17	WASHER,LKG,HLCL SPR,3/4	18	--	22	--
10	1-512-010007-12	NUT, HEX 3/4-10 GR2 ZP	34	--	42	--
11	205492	GANG ASSY 12 WHL Ø20" TREAD LH (SEE PAGE 1-92) & (SEE PAGE 1-94)	1	--	1	--
11	205491	GANG ASSY 11 WHL Ø20" TREAD LH (SEE PAGE 1-92) & (SEE PAGE 1-94)	3	--	4	--
11	205493	GANG ASSY 5 WHL Ø20" TREAD LH (SEE PAGE 1-92) & (SEE PAGE 1-94)	1	--	1	--
11	205496	GANG ASSY 5 WHL Ø20" TREAD RH (SEE PAGE 1-92) & (SEE PAGE 1-94)	1	--	1	--
11	205494	GANG ASSY 11 WHL Ø20" TREAD RH (SEE PAGE 1-92) & (SEE PAGE 1-94)	3	--	4	--
11	205495	GANG ASSY 12 WHL Ø20" TREAD RH (SEE PAGE 1-92) & (SEE PAGE 1-94)	1	--	1	--
12	1-654-010061-15	SCREW,HX CP 3/4-10UNCX5 GR5	20	--	24	--
13	1-512-010005-15	NUT,HEX,SLFLKG GRB 3/4-10	20	--	24	--
14	208782	HYD TREADER MNT, UPPER WLDMT	9	9	11	11
15	1-654-010065-13	SCREW, HX CP 1-8UNC X 4 GR5	18	18	22	22
16	1-512-010005-19	NUT 1-8 HEX SLF-LOCKING GRB	18	18	22	22
17	192890	BUSHING 1-3/8ODX1 IDX1 STEEL	9	9	11	11
18	----	HOSE MOUNT ASSEMBLY (SEE PAGE 1-88)	16	16	20	20
19	208773	CYLINDER, 2-1/2 X 4 3000 PSI	9	9	11	11
20	208788	LOCKING COLLAR,Ø1-1/4" SHAFT	9	9	11	11
21	1-511-010001-05	NUT HEX JAM 1/2-13	18	18	22	22
22	1-654-010080-2	SCREW SET1/2X1-1/4 SQHD CP PT	18	18	22	22
23	208787	COMP SPRING,1.313IDX.468WIREX5	9	9	11	11
24	208781	HYD TREADER MNT, LOWER WLDMT	9	9	11	11
25	8-102-010012	U BOLT	36	36	44	44
26	1-512-010005-13	NUT,HEX SLFLKG GRB 5/8-11	72	72	88	88
27	211366	WASHER, HYD TREADER	18	18	22	22
28	208786	INNER & OUTER COMP SPRING	9	9	11	11
29	101385	NUT,HEX SLFLKG,1-1/4-7 GRB	9	9	11	11
30	2062-8-8S	ADAPTER, 90, #8 O-RING-TUBE	2	2	6	6
31	141826	ELBOW 90 1/16 RES	2	2	2	2

ILLUSTRATED PARTS LIST

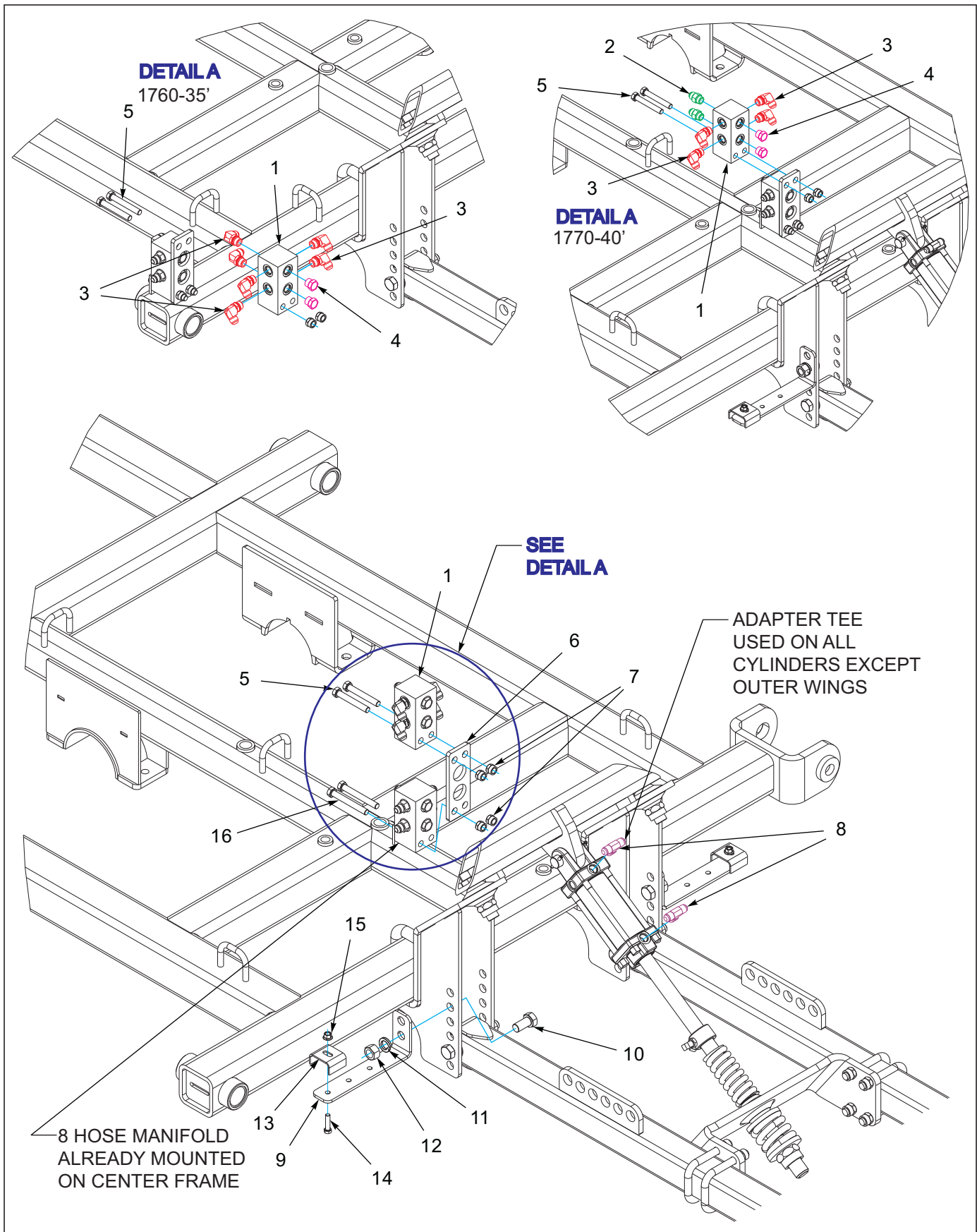


Figure 1-44: Hydraulic Treader Manifold & Hose Mount Assembly 1760-35' & 1770-40'

Hydraulic Treader Manifold & Hose Mount Assembly 1760-35' & 1770-40'

ITEM	PART NO.	DESCRIPTION	QTY.			
--	209484	HYD TREADER ASSY, 1760-35	*			
--	209446	HYD TREADER ASSY, 1770-40		*		
--	214629	1760 FIELD KIT, HYD TREADERS			*	
--	214630	1770 FIELD KIT, HYD TREADERS				*
1	2-474-010022	MANIFOLD ASSY, HYDR 8 HOSE (SEE PAGE 1-98 OR 1-100 FOR HOSE ROUTING)	1	1	1	1
2	202702-8-8S	ADAPTER #8 O-RING TO #8 TUBE	--	2	--	2
3	2062-8-8S	ADAPTER, 90, #8 O-RING-TUBE	6	4	6	4
4	1-007-010025	PLUG, 3/4-16 O-RING BOSS	2	2	2	2
5	1-654-010055-11	SCREW,HX CP 1/2-13UNCX3-1/2	2	2	2	2
6	211367	HYD MANIFOLD MNT	1	1	1	1
7	1-512-010005-09	NUT,HEX,SLFLKG, 1/2-13 GRB	4	4	4	4
8	203003-8-8S	ADAPTER,TEE,#8 O-RING-TUBE	8	10	8	10
9	214623	HOSE MNT, HYD TREADER	10	12	10	12
10	1-654-010061-03	SCREW,HX CP 3/4-10UNCX1-1/2	10	12	10	12
11	1-861-010034-17	WASHER,LKG,HLCL SPR,3/4	10	12	10	12
12	1-512-010007-12	NUT, HEX 3/4-10 GR2 ZP	10	12	10	12
13	2-181-010001	HOSE CLAMP	14	20	14	20
14	1-654-010051-07	SCREW,HEX CAP,3/8-16UNCX1-1/2	10	16	10	16
15	1-510-010001	NUT, 3/8-16 UNC FLANGE LOCK	10	16	10	16
16	1-654-010055-13	SCREW,HEX CAP,1/2-13UNCX4 GR5	2	2	2	2

ILLUSTRATED PARTS LIST

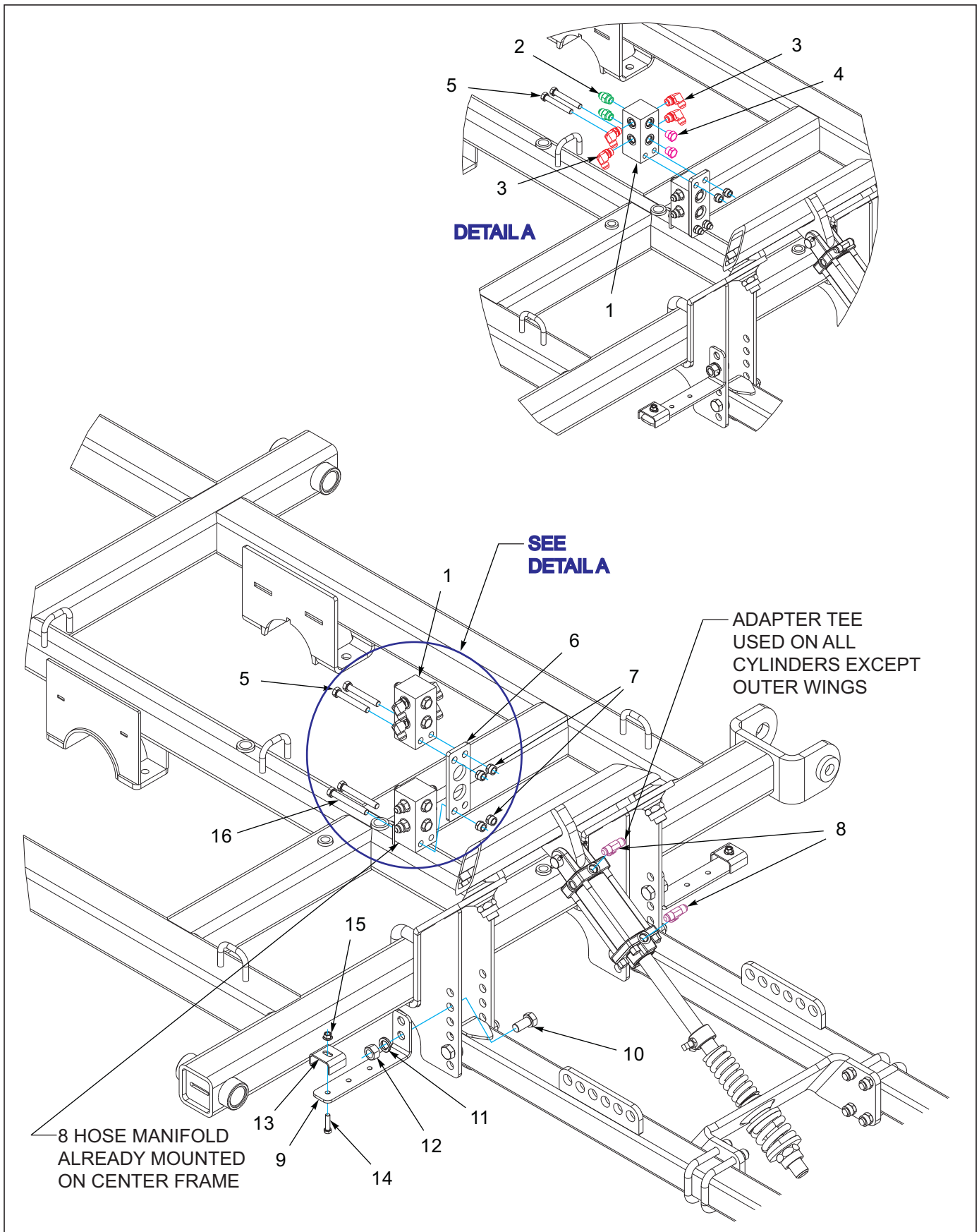


Figure 1-45: Hydraulic Treader Manifold & Hose Mount Assembly 1790-52' & 1710-64'

Hydraulic Treader Manifold & Hose Mount Assembly 1790-52' & 1710-64'

ITEM	PART NO.	DESCRIPTION	QTY.			
--	205498	HYD TREADER ASSY, 1790-52	*			
--	214631	1790 FIELD KIT, HYD TREADERS		*		
--	211444	HYD TREADER ASSY, 1710-64			*	
--	214632	1710 FIELD KIT, HYD TREADERS				*
1	2-474-010022	MANIFOLD ASSY, HYDR 8 HOSE (SEE PAGE 1-98 OR 1-100 FOR HOSE ROUTING)	9	9	11	11
2	202702-8-8S	ADAPTER #8 O-RING TO #8 TUBE	2	2	2	2
3	2062-8-8S	ADAPTER, 90, #8 O-RING-TUBE	4	4	6	6
4	1-007-010025	PLUG, 3/4-16 O-RING BOSS	2	2	2	2
5	1-654-010055-11	SCREW,HX CP 1/2-13UNCX3-1/2	2	2	2	2
6	211367	HYD MANIFOLD MNT	1	1	1	1
7	1-512-010005-09	NUT,HEX,SLFLKG, 1/2-13 GRB	4	4	4	4
8	203003-8-8S	ADAPTER,TEE,#8 O-RING-TUBE	14	14	18	18
9	214623	HOSE MNT, HYD TREADER	16	16	20	20
10	1-654-010061-03	SCREW,HX CP 3/4-10UNCX1-1/2	16	16	20	20
11	1-861-010034-17	WASHER,LKG,HLCL SPR,3/4	16	16	20	20
12	1-512-010007-12	NUT, HEX 3/4-10 GR2 ZP	16	16	20	20
13	2-181-010001	HOSE CLAMP	20	20	24	24
14	1-654-010051-07	SCREW,HEX CAP,3/8-16UNCX1-1/2	16	16	24	24
15	1-510-010001	NUT, 3/8-16 UNC FLANGE LOCK	16	16	20	20
16	1-654-010055-13	SCREW,HEX CAP,1/2-13UNCX4 GR5	2	2	2	2

ILLUSTRATED PARTS LIST

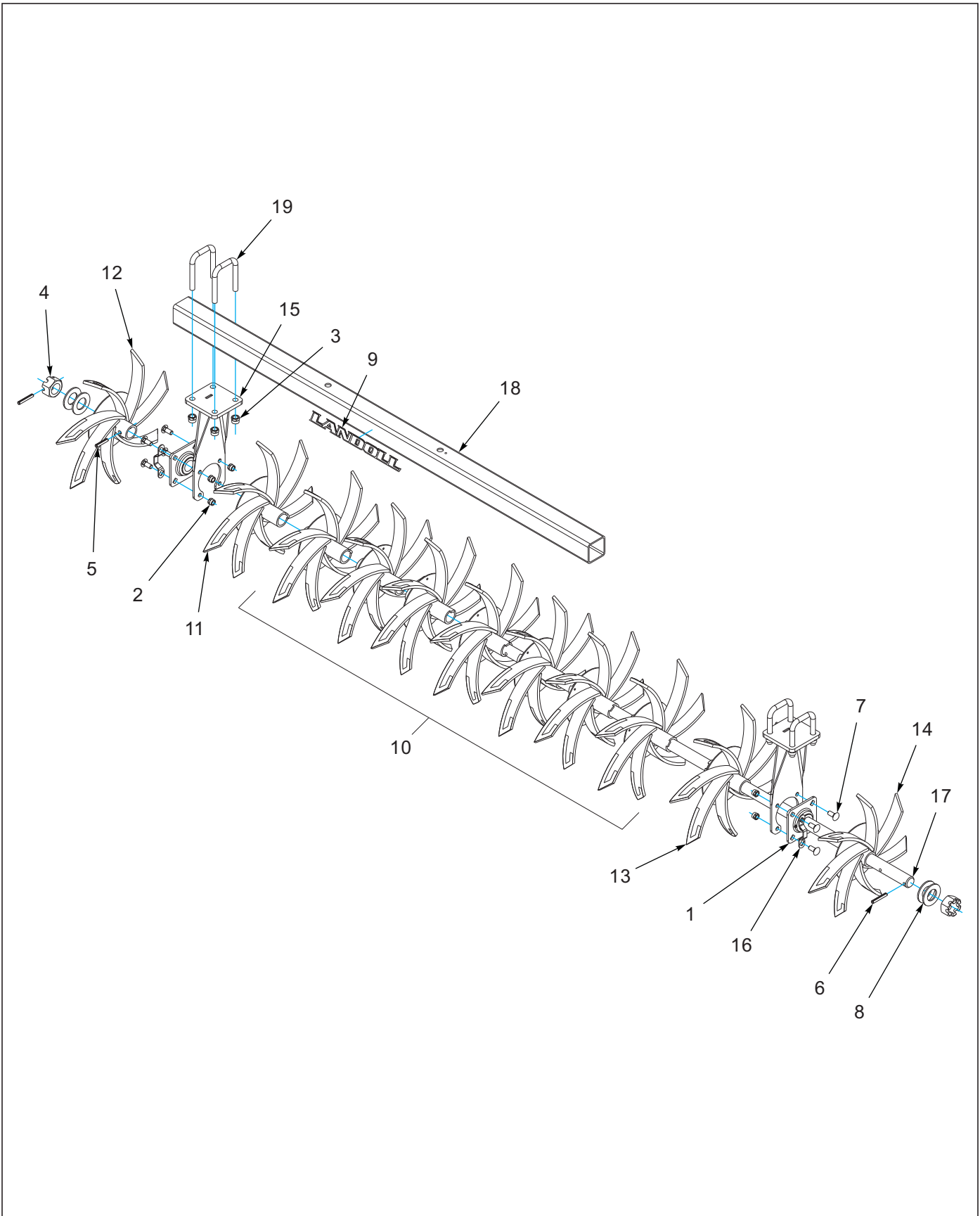


Figure 1-46: Treader Wheel Assembly LH

Treader Wheel Assembly LH

ITEM	PART NO.	DESCRIPTION	QTY.			
--	205491	GANG ASSY 11 WHL Ø20" TREAD LH	*			
--	211419	GANG, 11 WHEEL Ø20" TREADER,LH		*		
--	205492	GANG ASSY 12 WHL Ø20" TREAD LH			*	
--	205493	GANG ASSY 5 WHL Ø20" TREAD LH				*
1	1-065-010011	BEARING FLANGED 1-1/2ID	2	2	2	2
2	1-512-010005-09	NUT,HEX,SLFLKG, 1/2-13 GRB	8	8	8	8
3	1-512-010005-13	NUT,HEX SLFLKG GRB 5/8-11	8	8	8	8
4	1-516-010001-27	NUT,HX SLOT 1-1/2-6 ZP	2	2	2	2
5	1-647-010004255	PIN, SPRING, SLOTTED 3/8X2	2	2	2	2
6	1-647-010004257	PIN,SPRING,SLOTTED 3/8X2-1/2	2	2	2	2
7	1-654-010070-02	SCREW 1/2-13X1-1/4 RD HD SQNK	8	8	8	8
8	1-861-010032-32	WASHER FLAT ZP/CD 1-1/2	4	4	4	4
9	148337	ATTACHMENT DECAL, LANDOLL	1	1	1	1
10	205481	TREADER WLDMT Ø20" 7 TOOTH LH	7	7	8	1
11	205482	TREADER WLDMT Ø20" 7 TOOTH LH	1	1	1	1
12	205483	TREADER WLDMT Ø20" 7 TOOTH LH	1	1	1	1
13	205484	TREADER WLDMT Ø20" 7 TOOTH LH	1	1	1	1
14	205485	TREADER WLDMT Ø18" 7 TOOTH LH	1	1	1	1
15	206787	HANGER WLDMT TREADER BEARING	2	2	2	2
16	206790	PLATE, BEARING ZERK SHIELD	2	2	2	2
17	206792	SHAFT 11 WHEEL TREADER GANG	1	1	--	--
17	206793	SHAFT 12 WHEEL TREADER GANG	--	--	1	--
17	206791	SHAFT 5 WHEEL TREADER GANG	--	--	--	1
18	206795	GANG BAR, 11 WHEEL TREADER	1	--	--	--
18	211421	GANG BAR, 11 WHEEL TREADER	--	1	--	--
18	206796	GANG BAR, 12 WHEEL TREADER	--	--	1	--
18	206794	GANG BAR, 5 WHEEL TREADER	--	--	--	1
19	8-102-010012	U BOLT	4	4	4	4

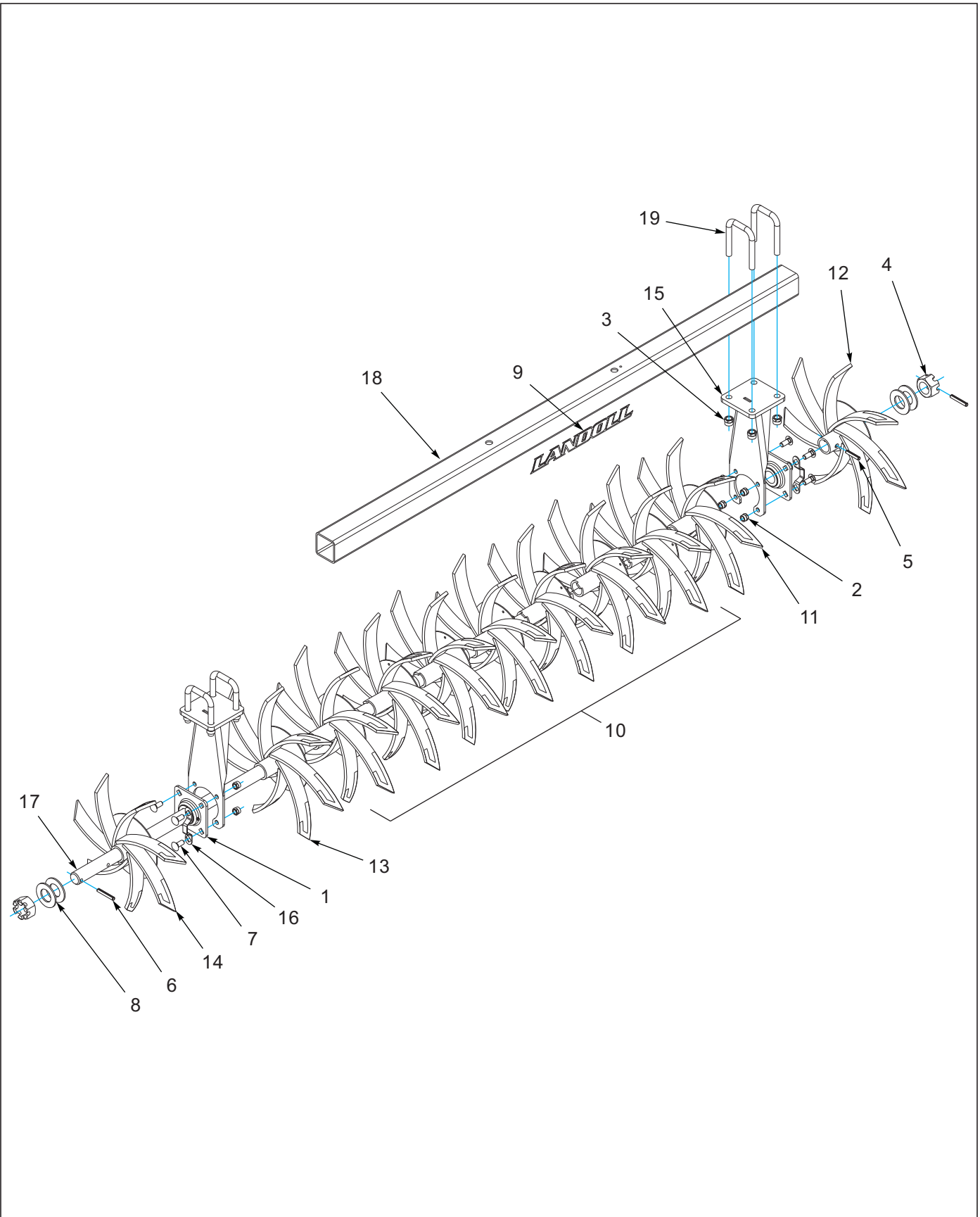


Figure 1-47: Treader Wheel Assembly RH

Treader Wheel Assembly RH

ITEM	PART NO.	DESCRIPTION	QTY.			
--	205494	GANG ASSY 11 WHL Ø20" TREAD RH	*			
--	211420	GANG, 11 WHEEL Ø20" TREADER,RH		*		
--	205495	GANG ASSY 12 WHL Ø20" TREAD RH			*	
--	205496	GANG ASSY 5 WHL Ø20" TREAD RH				*
1	1-065-010011	BEARING FLANGED 1-1/2ID	2	2	2	2
2	1-512-010005-09	NUT,HEX,SLFLKG, 1/2-13 GRB	8	8	8	8
3	1-512-010005-13	NUT,HEX SLFLKG GRB 5/8-11	8	8	8	8
4	1-516-010001-27	NUT,HX SLOT 1-1/2-6 ZP	2	2	2	2
5	1-647-010004255	PIN, SPRING, SLOTTED 3/8X2	2	2	2	2
6	1-647-010004257	PIN,SPRING,SLOTTED 3/8X2-1/2	2	2	2	2
7	1-654-010070-02	SCREW 1/2-13X1-1/4 RD HD SQNK	8	8	8	8
8	1-861-010032-32	WASHER FLAT ZP/CD 1-1/2	4	4	4	4
9	148337	ATTACHMENT DECAL, LANDOLL	1	1	1	1
10	205486	TREADER WLDMT Ø20" 7 TOOTH RH	7	7	8	1
11	205487	TREADER WLDMT Ø20" 7 TOOTH RH	1	1	1	1
12	205488	TREADER WLDMT Ø20" 7 TOOTH RH	1	1	1	1
13	205489	TREADER WLDMT Ø20" 7 TOOTH RH	1	1	1	1
14	205490	TREADER WLDMT Ø18" 7 TOOTH RH	1	1	1	1
15	206787	HANGER WLDMT TREADER BEARING	2	2	2	2
16	206790	PLATE, BEARING ZERK SHIELD	2	2	2	2
17	206792	SHAFT 11 WHEEL TREADER GANG	1	1	--	--
17	206793	SHAFT 12 WHEEL TREADER GANG	--	--	1	--
17	206791	SHAFT 5 WHEEL TREADER GANG	--	--	--	1
18	206795	GANG BAR, 11 WHEEL TREADER	1	--	--	--
18	211421	GANG BAR, 11 WHEEL TREADER	--	1	--	--
18	206796	GANG BAR, 12 WHEEL TREADER	--	--	1	--
18	206794	GANG BAR, 5 WHEEL TREADER	--	--	--	1
19	8-102-010012	U BOLT	4	4	4	4

ILLUSTRATED PARTS LIST

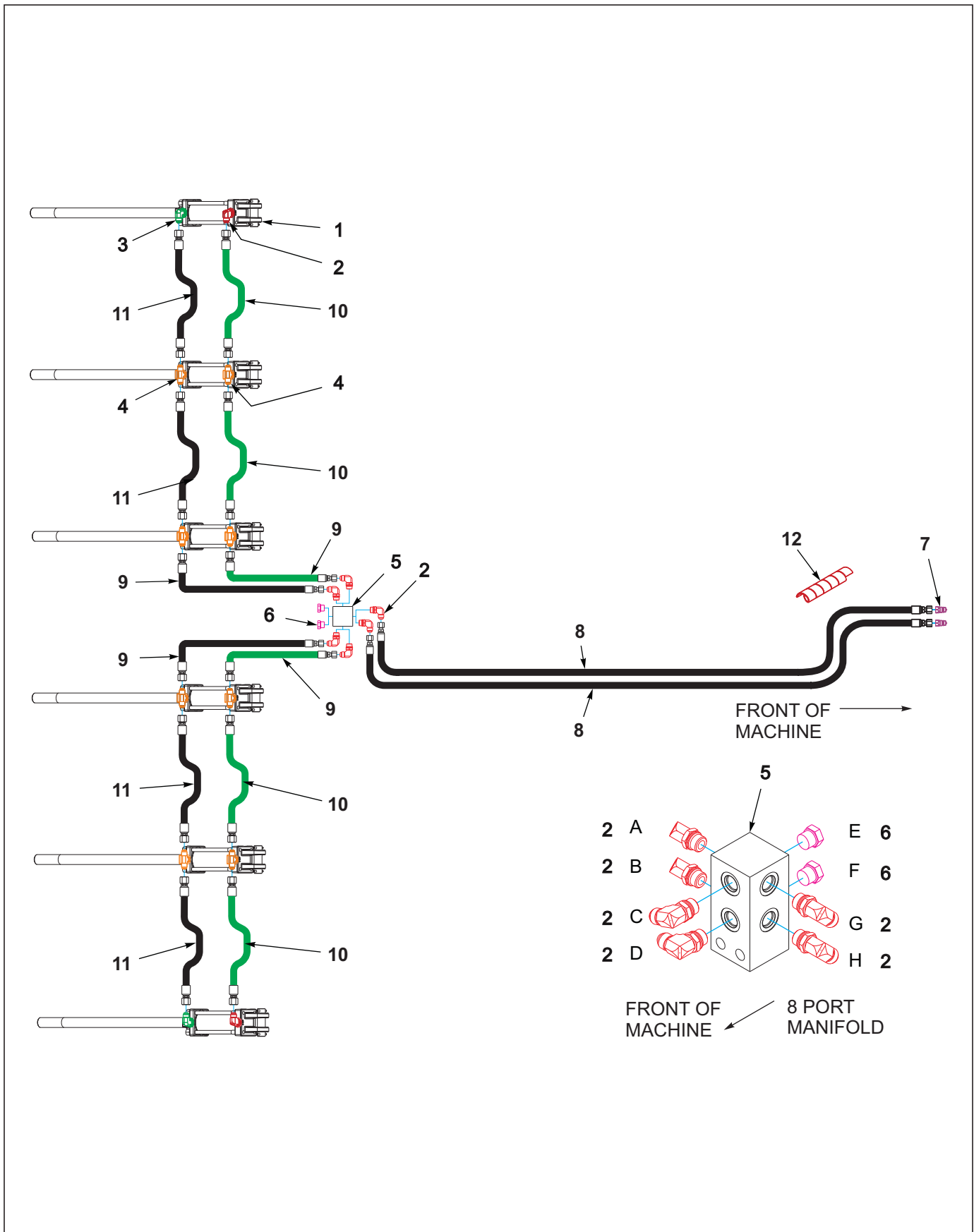


Figure 1-48: Treater Hydraulic Assembly 1760-35'

Treader Hydraulic Assembly 1760-35'

ITEM	PART NO.	DESCRIPTION	QTY.
1	208773	CYLINDER, 2-1/2 X 4 3000 PSI (SEE PAGE 1-129)	7
2	2062-8-8S	ADAPTER, 90, #8 O-RING-TUBE	6
3	141826	ELBOW 90 1/16 RES	2
4	203003-8-8S	ADAPTER,TEE,#8 O-RING-TUBE	10
5	2-474-010022	MANIFOLD ASSY, HYDR 8 HOSE	1
6	1-007-010025	PLUG, 3/4-16 O-RING BOSS	2
7	141828	COUPLER,MALE 3/4-16 O-RING	2
8	141888	HOSE ASSY 3/8X320 #8JICX#8OR	2
9	116432	HOSE ASSY, 3/8X60 #8 JIC SWV	4
10	116490	HOSE ASSY 3/8X78 #8 JIC SW	4
11	71508988	HOSE ASSY 3/8 X 80"	4
12	172973	HOSE WRAP, RED	1

ILLUSTRATED PARTS LIST

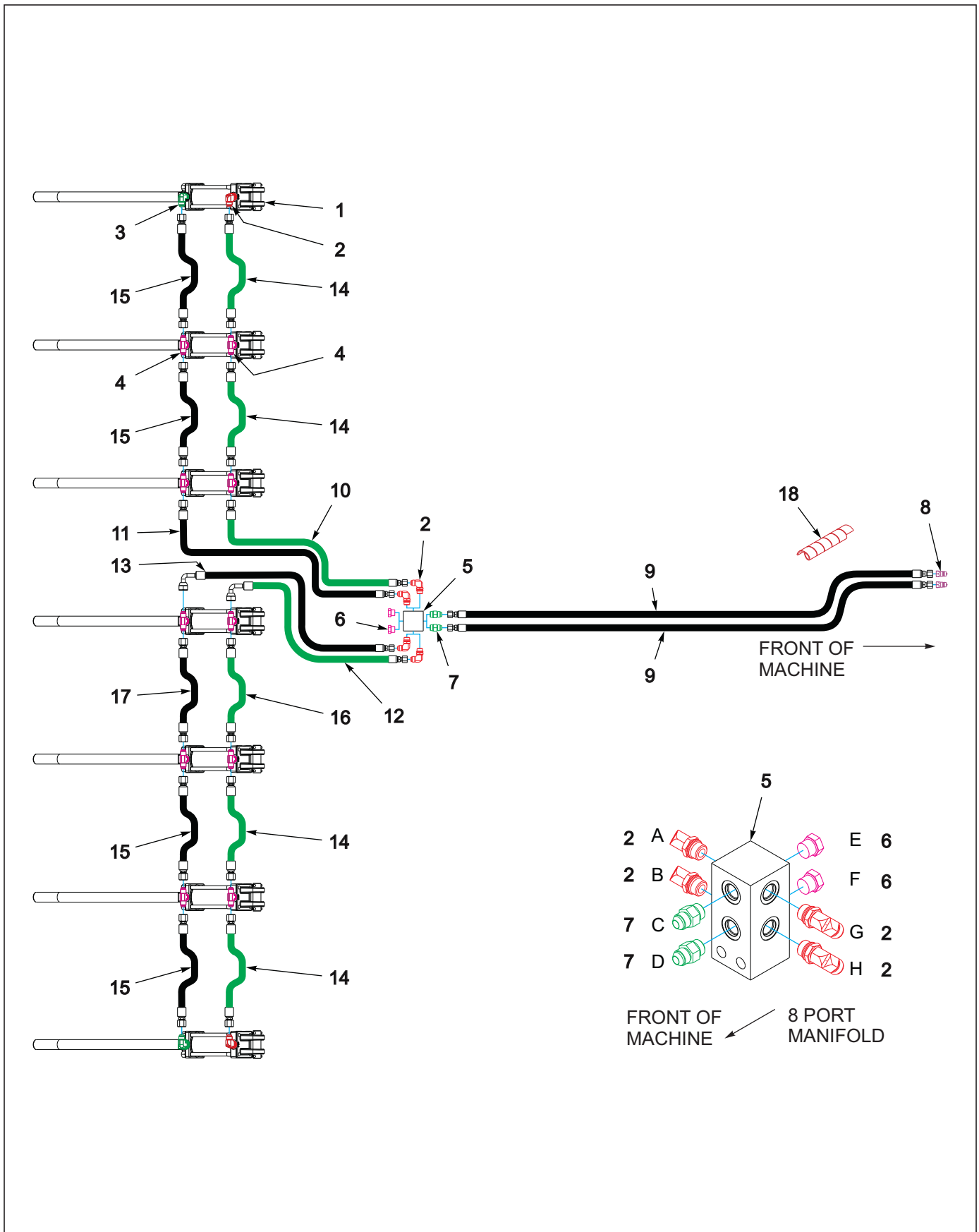


Figure 1-49: Treater Hydraulic Assembly 1770-40'

Treader Hydraulic Assembly 1770-40'

ITEM	PART NO.	DESCRIPTION	QTY.
1	208773	CYLINDER, 2-1/2 X 4 3000 PSI	7
2	2062-8-8S	ADAPTER, 90, #8 O-RING-TUBE	6
3	141826	ELBOW 90 1/16 RES	2
4	203003-8-8S	ADAPTER,TEE,#8 O-RING-TUBE	10
5	2-474-010022	MANIFOLD ASSY, HYDR 8 HOSE	1
6	1-007-010025	PLUG, 3/4-16 O-RING BOSS	2
7	202702-8-8S	ADAPTER #8 O-RING TO #8 TUBE	2
8	141828	COUPLER,MALE 3/4-16 O-RING	2
9	147585	HOSE ASSY3/8X336#8JICX#8O-RNG	2
10	116491	HOSE ASSY 3/8X96 #8 JIC SW	1
11	195647	HOSE ASSY, 3/8X93 #8 JIC SWIV	1
12	171760	HOSE ASSY 3/8 X 32 #8STR-#8-90	1
13	211343	HOSE ASSY,3/8X37,8FJSX8FJS90	1
14	116490	HOSE ASSY 3/8X78 #8 JIC SW	4
15	71508988	HOSE ASSY 3/8 X 80"	4
16	208479	HOSE ASSY 3/8X84,8FJS ENDS	1
17	71508987	HOSE ASSY 3/8 X 86	1
18	172973	HOSE WRAP, RED	1

ILLUSTRATED PARTS LIST

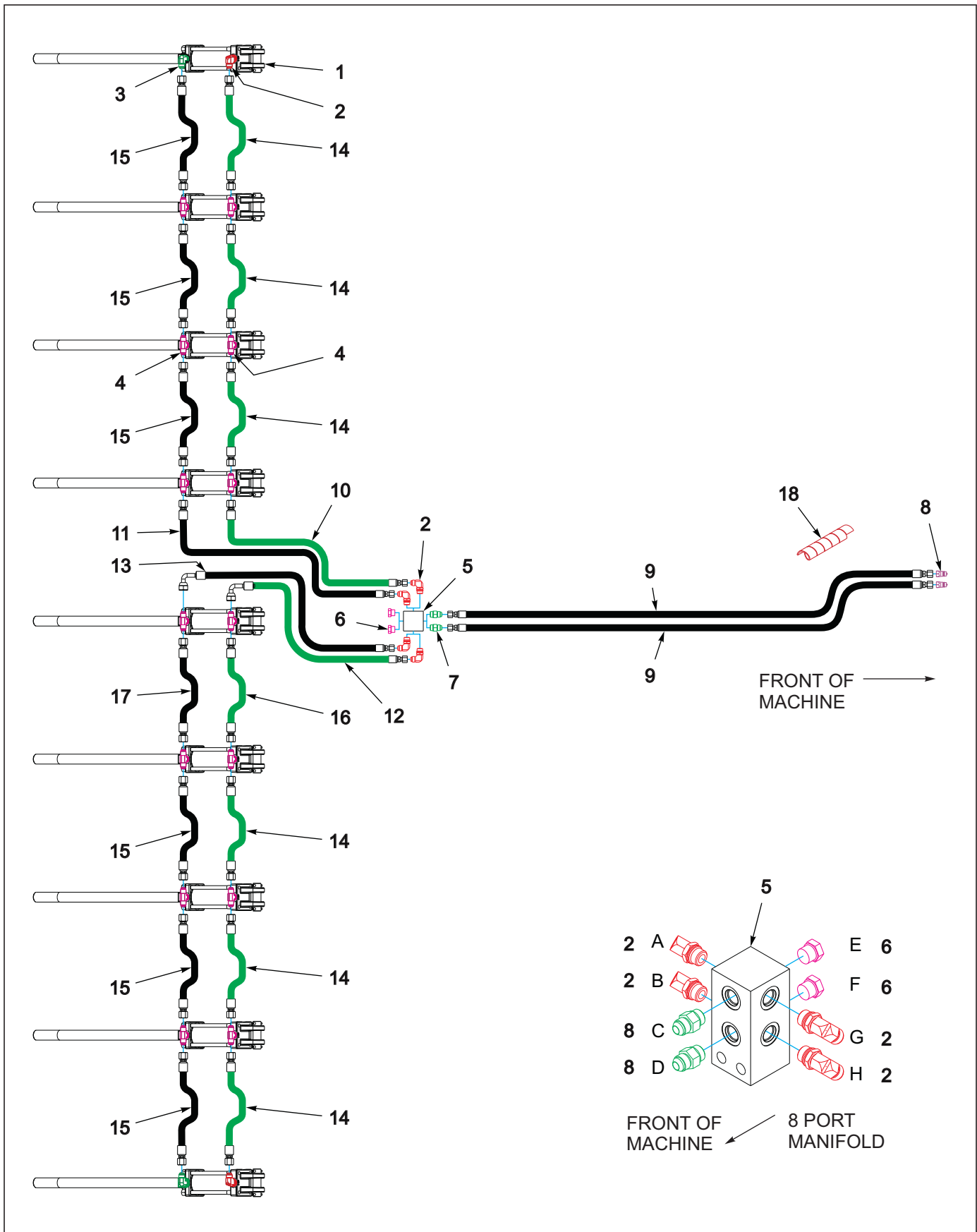


Figure 1-50: Treater Hydraulic Assembly 1790-52'

Treader Hydraulic Assembly 1790-52'

ITEM	PART NO.	DESCRIPTION	QTY.
1	208773	CYLINDER, 2-1/2 X 4 3000 PSI (SEE PAGE 1-129)	9
2	2062-8-8S	ADAPTER, 90, #8 O-RING-TUBE	6
3	141826	ELBOW 90 1/16 RES	2
4	203003-8-8S	ADAPTER,TEE,#8 O-RING-TUBE	14
5	2-474-010022	MANIFOLD ASSY, HYDR 8 HOSE	1
6	1-007-010025	PLUG, 3/4-16 O-RING BOSS	2
7	202702-8-8S	ADAPTER #8 O-RING TO #8 TUBE	2
8	141828	COUPLER,MALE 3/4-16 O-RING	2
9	147585	HOSE ASSY3/8X336#8JICX#8O-RNG	2
10	116491	HOSE ASSY 3/8X96 #8 JIC SW	1
11	195647	HOSE ASSY, 3/8X93 #8 JIC SWIV	1
12	171760	HOSE ASSY 3/8 X 32 #8STR-#8-90	1
13	211343	HOSE ASSY,3/8X37,8FJSX8FJS90	1
14	116490	HOSE ASSY 3/8X78 #8 JIC SW	6
15	71508988	HOSE ASSY 3/8 X 80"	6
16	208479	HOSE ASSY 3/8X84,8FJS ENDS	1
17	71508987	HOSE ASSY 3/8 X 86	1
18	172973	HOSE WRAP, RED	1

ILLUSTRATED PARTS LIST

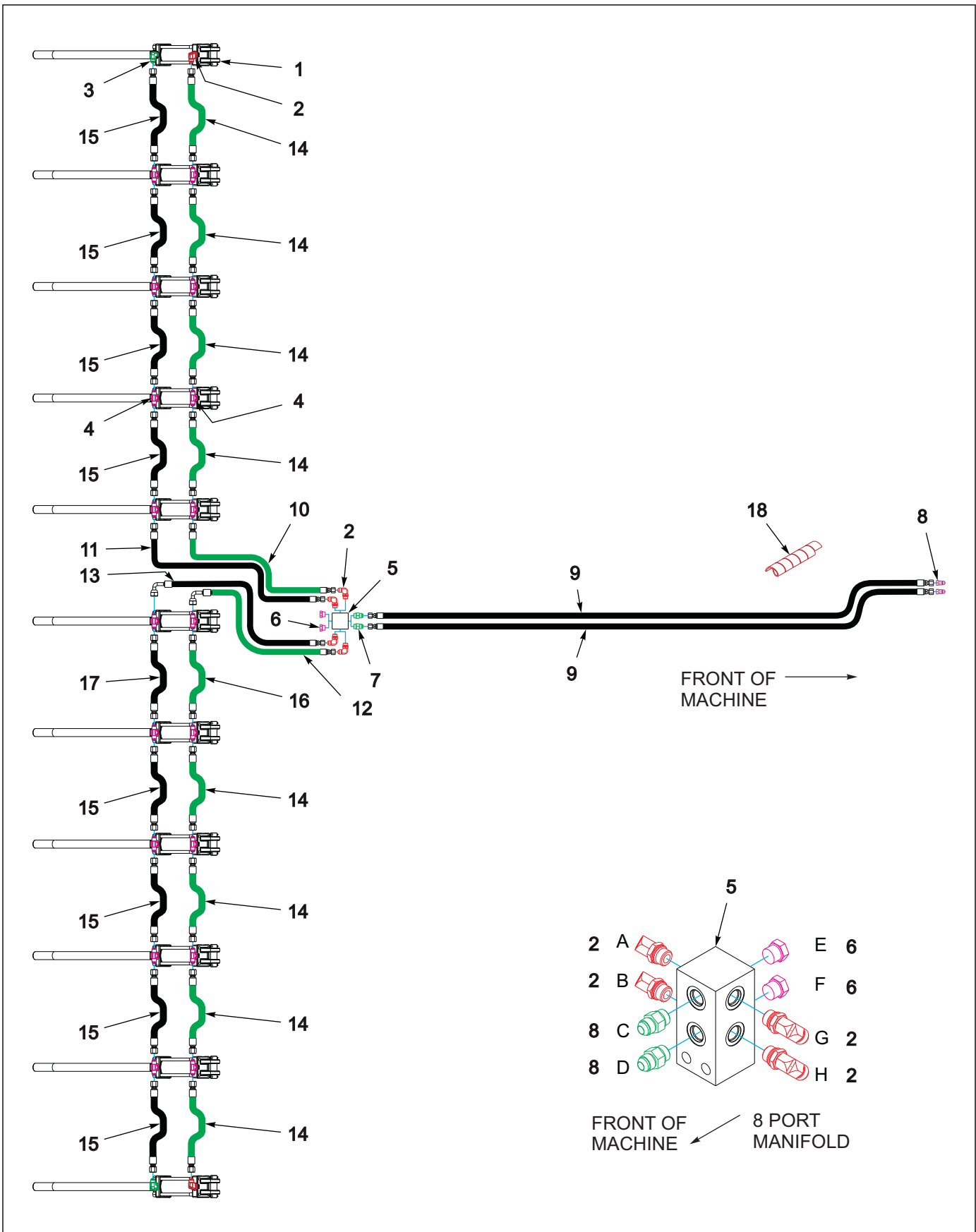


Figure 1-51: Treader Hydraulic Assembly 1710-64'

Treader Hydraulic Assembly 1710-64'

ITEM	PART NO.	DESCRIPTION	QTY.
1	208773	CYLINDER, 2-1/2 X 4 3000 PSI (SEE PAGE 1-129)	11
2	2062-8-8S	ADAPTER, 90, #8 O-RING-TUBE	6
3	141826	ELBOW 90 1/16 RES	2
4	203003-8-8S	ADAPTER,TEE,#8 O-RING-TUBE	18
5	2-474-010022	MANIFOLD ASSY, HYDR 8 HOSE	1
6	1-007-010025	PLUG, 3/4-16 O-RING BOSS	2
7	202702-8-8S	ADAPTER #8 O-RING TO #8 TUBE	2
8	141828	COUPLER,MALE 3/4-16 O-RING	2
9	147585	HOSE ASSY3/8X336#8JICX#8O-RNG	2
10	116491	HOSE ASSY 3/8X96 #8 JIC SW	1
11	195647	HOSE ASSY, 3/8X93 #8 JIC SWIV	1
12	171760	HOSE ASSY 3/8 X 32 #8STR-#8-90	1
13	211343	HOSE ASSY,3/8X37,8FJSX8FJS90	1
14	116490	HOSE ASSY 3/8X78 #8 JIC SW	8
15	71508988	HOSE ASSY 3/8 X 80"	8
16	208479	HOSE ASSY 3/8X84,8FJS ENDS	1
17	71508987	HOSE ASSY 3/8 X 86	1
18	172973	HOSE WRAP, RED	1

Lift Hydraulic Assemblies

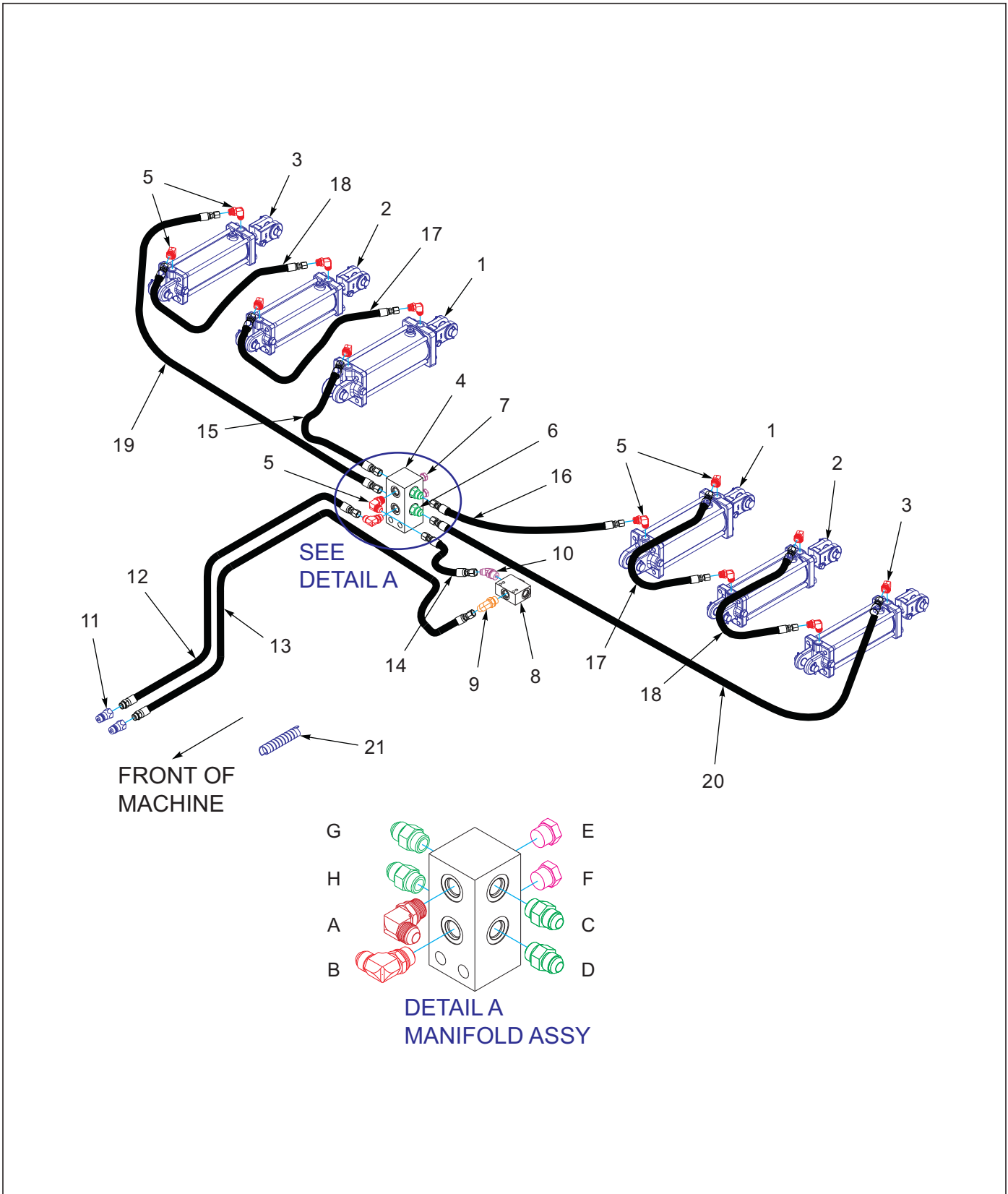


Figure 1-52: Lift Hydraulic Assembly 1760-35'

Lift Hydraulic Assembly 1760-35'

ITEM	PART NO.	DESCRIPTION	QTY.
1	140470	CYLINDER 4X10 REPHASE (SEE PAGE 1-123)	2
2	140471	CYLINDER 3-3/4X10 REPHASE (SEE PAGE 1-122)	2
3	164172	CYLINDER 3-1/2X10, REPHASE (SEE PAGE 1-120)	2
4	2-474-010022	MANIFOLD ASSY, HYDR 8 HOSE	1
5	2062-8-8S	ADAPTER, 90, #8 O-RING-TUBE	14
6	202702-8-8S	ADAPTER #8 O-RING TO #8 TUBE	4
7	1-007-010025	PLUG, 3/4-16 O-RING BOSS	2
8	203467	VALVE-LIMIT, STROKE (AFTER 11-01-2018)	1
9	2062-10-8S	ADAPTER,90, #10 O-RING-TUBE (AFTER 11-01-2018)	1
10	124510	ADAPTER 45 #10 O-RINGX#8JIC (AFTER 11-01-2018)	1
11	141828	COUPLER,MALE 3/4-16 O-RING	2
12	180020	HOSE 1/2X37JICX3/4-16ORINGX230 (QTY 2 USED BEFORE 11-01-2018)	1
13	166283	HOSE 1/2X37JICX3/4-16ORINGX285 (AFTER 11-01-2018 WITH ITEM #8)	1
14	1406044	HOSE ASSY 1/2X60SAE37STR-STR (AFTER 11-01-2018 WITH ITEM #8)	1
15	153842	HOSE ASSY 3/8X33 #8 JIC SWIV	1
16	116490	HOSE ASSY 3/8X78 #8 JIC SW	1
17	117916	HOSE ASSY 3/8X110,#8 JIC SWVL	2
18	116433	HOSE ASSY 3/8X90 #8 JIC SWV	2
19	141882	HOSE ASSY 3/8X206 #8 JIC SWIV	1
20	116436	HOSE ASSY, 3/8X255 #8 JIC SW	1
21	155528	HOSE WRAP, BLUE 1" ID X 8"	1

ILLUSTRATED PARTS LIST

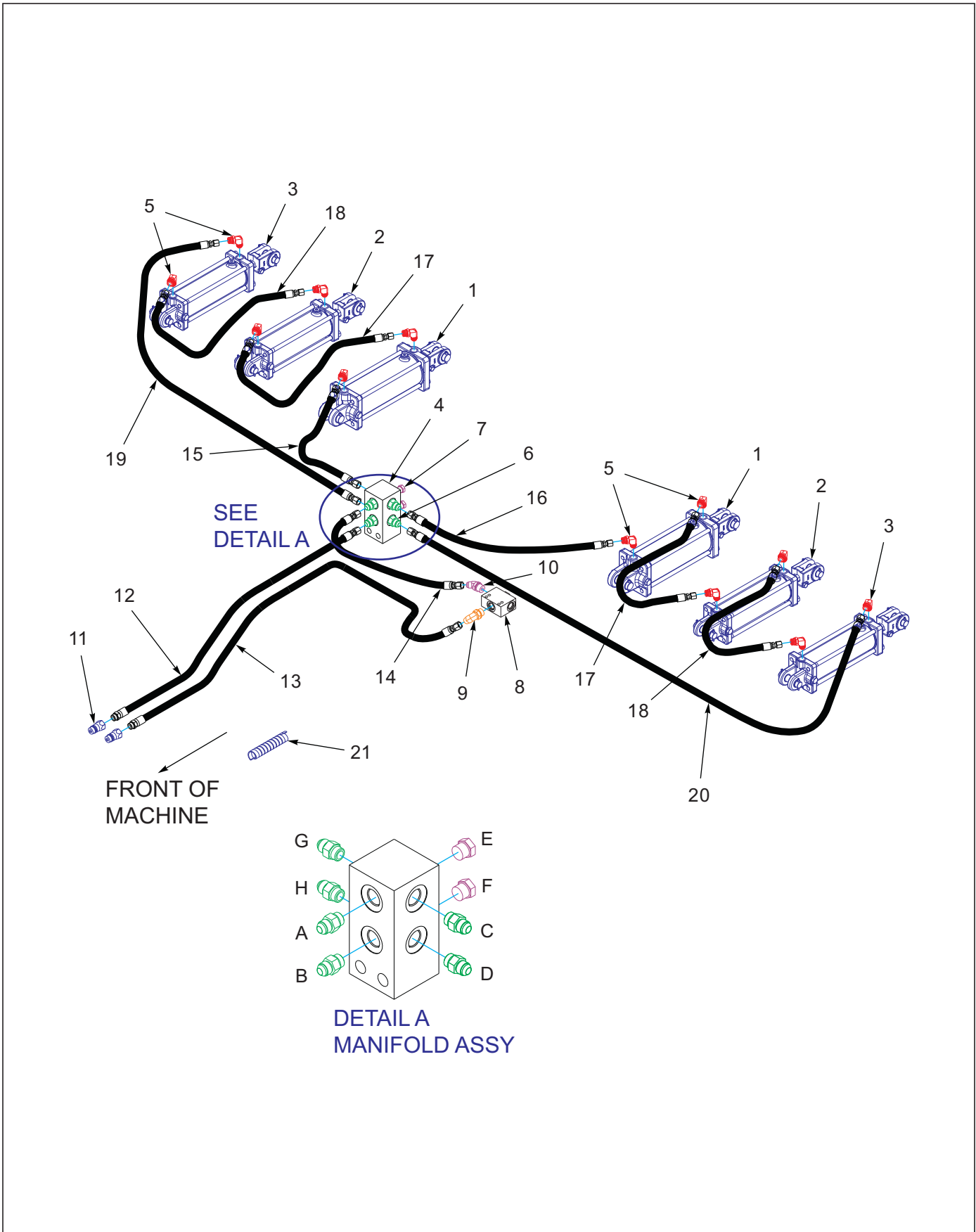


Figure 1-53: Lift Hydraulic Assembly 1770-40'

Lift Hydraulic Assembly 1770-40'

ITEM	PART NO.	DESCRIPTION	QTY.
1	184784	CYLINDER, 4-1/2 X 10, REPHASE (SEE PAGE 1-124)	2
2	140470	CYLINDER 4X10 REPHASE (SEE PAGE 1-123)	2
3	140471	CYLINDER 3-3/4X10 REPHASE (SEE PAGE 1-122)	2
4	2-474-010022	MANIFOLD ASSY, HYDR 8 HOSE	1
5	2062-8-8S	ADAPTER, 90, #8 O-RING-TUBE	12
6	202702-8-8S	ADAPTER, #8O-RING #8 TUBE	6
7	1-007-010025	PLUG, 3/4-16 O-RING BOSS	2
8	203467	VALVE-LIMIT, STROKE (AFTER 11-01-2018)	1
9	2062-10-8S	ADAPTER,90, #10 O-RING-TUBE (AFTER 11-01-2018)	1
10	124510	ADAPTER 45 #10 O-RINGX#8JIC (AFTER 11-01-2018)	1
11	141828	COUPLER,MALE 3/4-16 O-RING	2
12	208811	HOSE ASSY, 1/2X255,-8FJX,-8ORB (QTY 2 USED BEFORE 11-01-2018)	1
13	201333	HOSE ASM 1/2X342, -8FJX,-8ORB (AFTER 11-01-2018 WITH ITEM #8)	1
14	1-397-010301112	HOSE ASSY,1/2X112,SAE37,STR (AFTER 11-01-2018 WITH ITEM #8)	1
15	181799	HOSE ASSY, 3/8X74, #8 JIC	1
16	137598	HOSE ASSY #6.38X123.25HIPRES	1
17	116491	HOSE ASSY 3/8X96 #8 JIC SW	1
18	116433	HOSE ASSY 3/8X90 #8 JIC SWV	2
19	167556	HOSE ASSY 3/8X232 #8JIC SWIV	1
20	203595	HOSE ASSY 3/8X280,-8FJX,-8FJX	1
21	155528	HOSE WRAP, BLUE 1" ID X 8"	1

ILLUSTRATED PARTS LIST

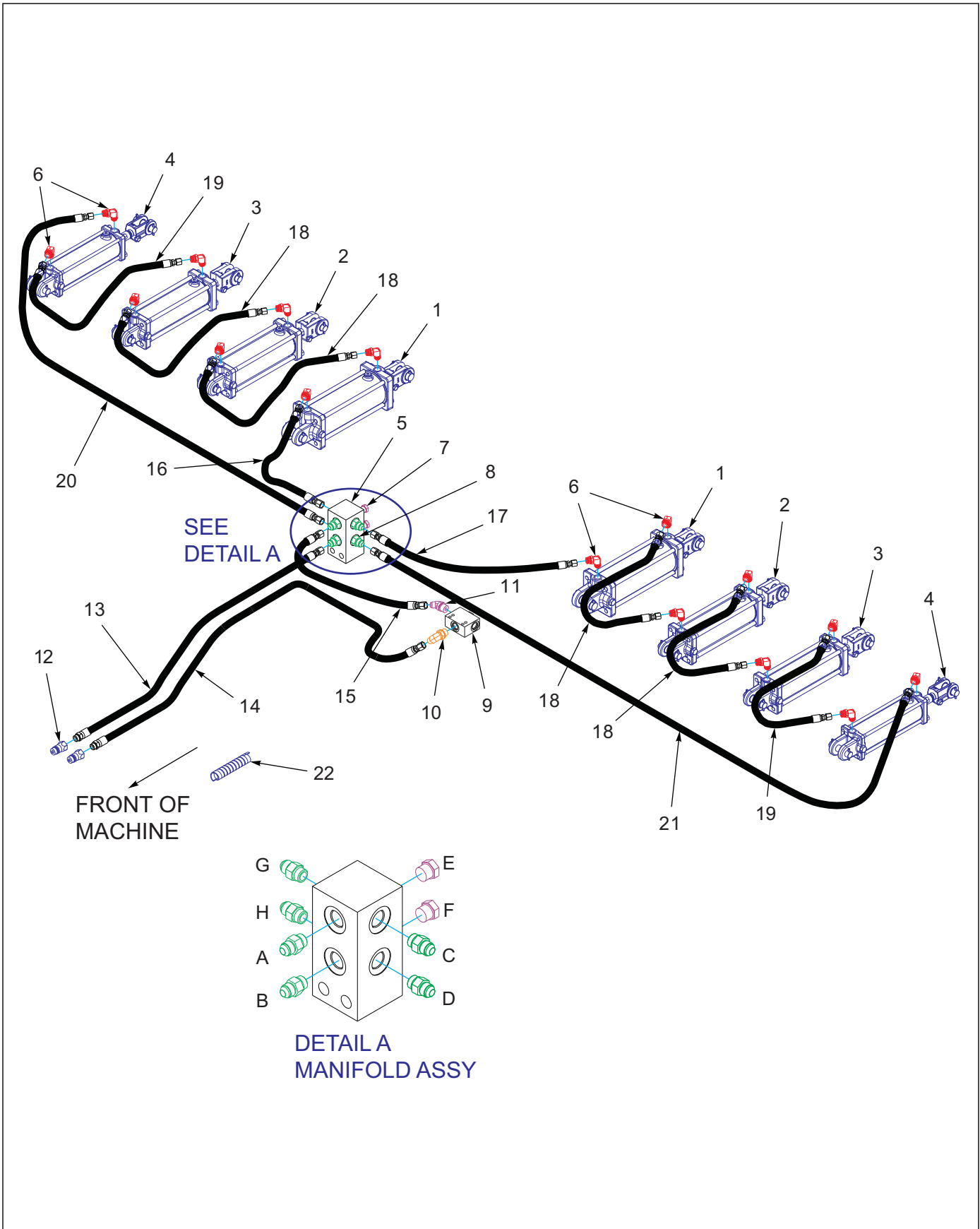


Figure 1-54: Lift Hydraulic Assembly 1790-52'

Lift Hydraulic Assembly 1790-52'

ITEM	PART NO.	DESCRIPTION	QTY.
1	184784	CYLINDER, 4-1/2 X 10, REPHASE (SEE PAGE 1-124)	2
2	140470	CYLINDER 4X10 REPHASE (SEE PAGE 1-123)	2
3	140471	CYLINDER 3-3/4X10 REPHASE (SEE PAGE 1-122)	2
4	164172	CYLINDER 3-1/2X10 REPHASE (SEE PAGE 1-120)	2
5	2-474-010022	MANIFOLD ASSY, HYDR 8 HOSE	1
6	2062-8-8S	ADAPTER, 90, #8 O-RING-TUBE	16
7	202702-8-8S	ADAPTER, #8O-RING #8 TUBE	6
8	1-007-010025	PLUG, 3/4-16 O-RING BOSS	2
9	203467	VALVE-LIMIT, STROKE (AFTER 11-01-2018)	1
10	2062-10-8S	ADAPTER,90, #10 O-RING-TUBE (AFTER 11-01-2018)	1
11	124510	ADAPTER 45 #10 O-RINGX#8JIC (AFTER 11-01-2018)	1
12	141828	COUPLER,MALE 3/4-16 O-RING	2
13	208811	HOSE ASSY, 1/2X255,-8FJX,-8ORB (QTY 2 USED BEFORE 11-01-2018)	2
14	201333	HOSE ASM 1/2X342, -8FJX,-8ORB (AFTER 11-01-2018 WITH ITEM #9)	1
15	1-397-010301112	HOSE ASSY,1/2X112,SAE37,STR (AFTER 11-01-2018 WITH ITEM #9)	1
16	181799	HOSE ASSY, 3/8X74, #8 JIC	1
17	137598	HOSE ASSY #6 .38X123.25HIPRES	1
18	116491	HOSE ASSY 3/8X96 #8 JIC SW	4
19	116433	HOSE ASSY 3/8X90 #8 JIC SWV	2
20	164309	HOSE ASSY 3/8X300 #8JIC SWIV	1
21	201311	HOSE ASSY 3/8X350,-8FJX,-8FJX	1
22	155528	HOSE WRAP, BLUE 1" ID X 8"	1

ILLUSTRATED PARTS LIST

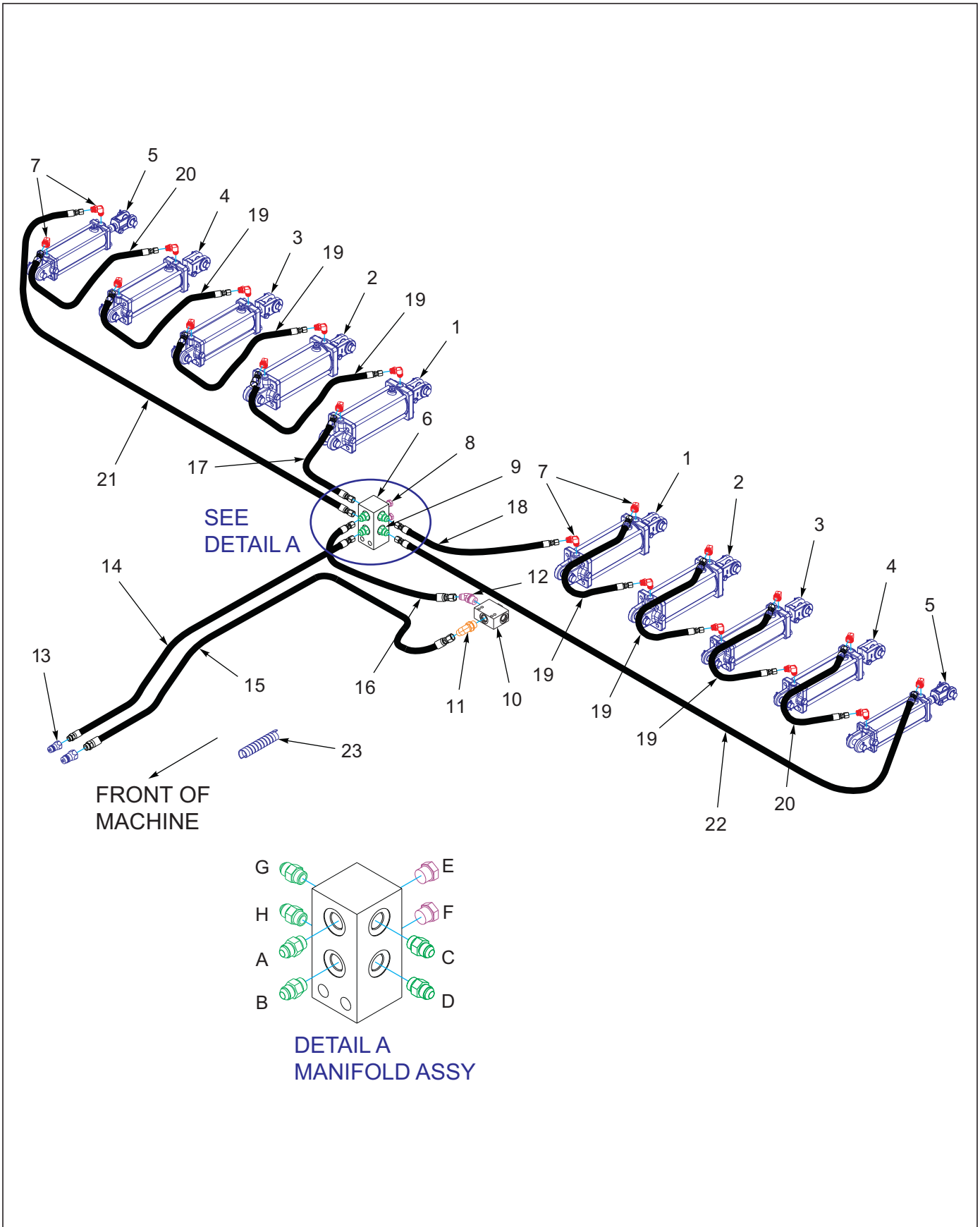


Figure 1-55: Lift Hydraulic Assembly 1710-64'

Lift Hydraulic Assembly 1710-64'

ITEM	PART NO.	DESCRIPTION	QTY.
1	184784	CYLINDER, 4-1/2 X 10, REPHASE (SEE PAGE 1-124)	2
2	140470	CYLINDER 4X10 REPHASE (SEE PAGE 1-123)	2
3	140471	CYLINDER 3-3/4X10 REPHASE (SEE PAGE 1-122)	2
4	164172	CYLINDER 3-1/2X10 REPHASE (SEE PAGE 1-121)	2
5	202273	CYLINDER, 3-1/4 X 10, REPHASE (SEE PAGE 1-120)	2
6	2-474-010022	MANIFOLD ASSY, HYDR 8 HOSE	1
7	2062-8-8S	ADAPTER, 90, #8 O-RING-TUBE	20
8	202702-8-8S	ADAPTER, #8O-RING #8 TUBE	6
9	1-007-010025	PLUG, 3/4-16 O-RING BOSS	2
10	203467	VALVE-LIMIT, STROKE (AFTER 11-01-2018)	1
11	2062-10-8S	ADAPTER,90, #10 O-RING-TUBE (AFTER 11-01-2018)	1
12	124510	ADAPTER 45 #10 O-RINGX#8JIC (AFTER 11-01-2018)	1
13	141828	COUPLER,MALE 3/4-16 O-RING	2
14	208811	HOSE ASSY, 1/2X255,-8FJX,-8ORB (QTY 2 USED BEFORE 11-01-2018)	2
15	201333	HOSE ASM 1/2X342, -8FJX,-8ORB (AFTER 11-01-2018 WITH ITEM #10)	1
16	1-397-010301112	HOSE ASSY,1/2X112,SAE37,STR (AFTER 11-01-2018 WITH ITEM #10)	1
17	181799	HOSE ASSY, 3/8X74, #8 JIC	1
18	137598	HOSE ASSY #6 .38X123.25HIPRES	1
19	116491	HOSE ASSY 3/8X96 #8 JIC SW	6
20	116433	HOSE ASSY 3/8X90 #8 JIC SWV	2
21	216112	HOSE ASSY, 3/8X370,-8FJX,-8FJX	1
22	216113	HOSE ASSY, 3/8X420,-8FJX,-8FJX	1
23	155528	HOSE WRAP, BLUE 1" ID X 8"	1

Fold Hydraulic Assemblies

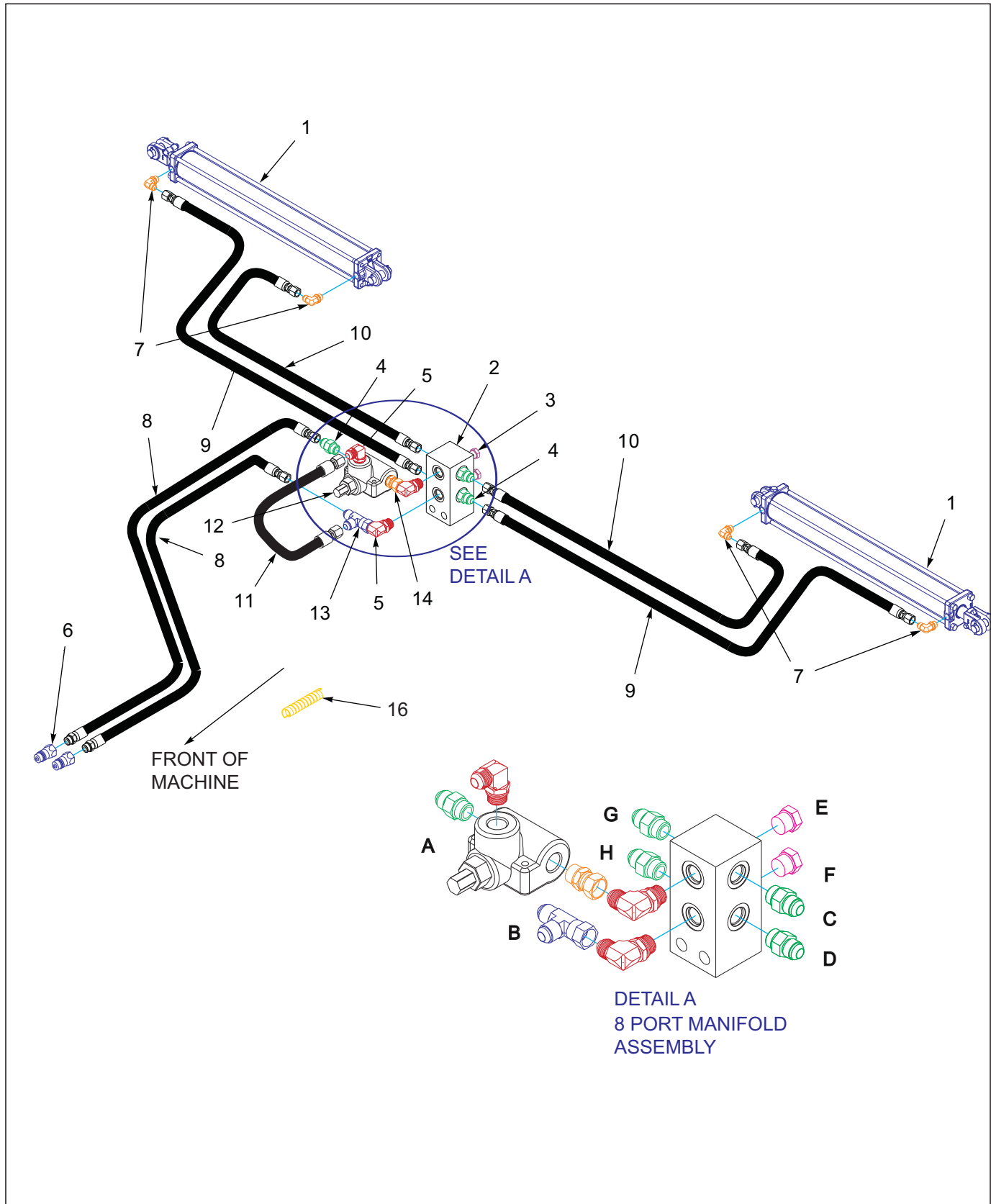


Figure 1-56: Fold Hydraulic Assembly - 1760-35'

Fold Hydraulic Assembly - 1760-35'

ITEM	PART NO.	DESCRIPTION	QTY.
1	206981	CYLINDER, 4 X 36 3000PSI, BLUE (SEE PAGE 1-127)	2
2	2-474-010022	MANIFOLD ASSY, HYDR 8 HOSE	1
3	1-007-010025	PLUG, 3/4-16 O-RING BOSS	2
4	202702-8-8S	ADAPTER, #8 O-RING #8 TUBE	5
5	2062-8-8S	ADAPTER, 90, #8 O-RING-TUBE	3
6	141828	COUPLER,MALE 3/4-16 O-RING	2
7	141826	ELBOW 90 1/16 RES	4
8	141888	HOSE ASSY 3/8X320 #8JICX#8OR	2
9	166171	HOSE ASSY 3/8X114 #8JIC SWIV	2
10	181799	HOSE ASSY, 3/8X74, #8 JIC	2
11	137601	HOSE ASSY, 3/8X20, #8JIC SWVL (AFTER 10-28-2020)	1
12	165287	VALVE, RELIEF, 1000PSI (AFTER 10-28-2020)	1
13	203102-8-8S	ADAPTER,TEE,1/2 #8JICX#8JICSWV (AFTER 10-28-2020)	1
14	102-1130	FTG,STR 8M ORING X 8F JIC SW (AFTER 10-28-2020)	1
15	155529	HOSE WRAP, YELLOW 1" ID X 8"	1

ILLUSTRATED PARTS LIST

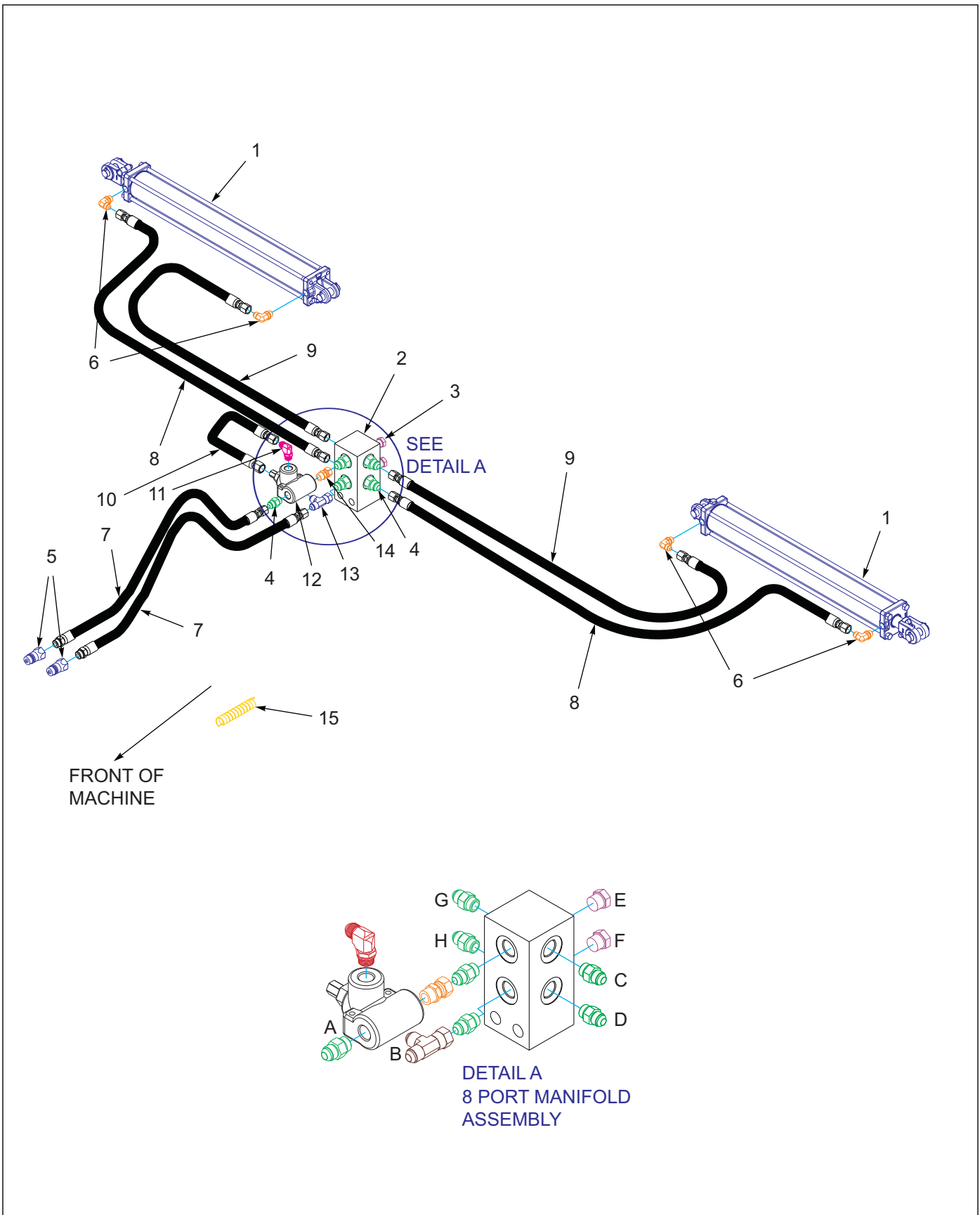


Figure 1-57: Fold Hydraulic Assembly - 1770-40'

Fold Hydraulic Assembly - 1770-40'

ITEM	PART NO.	DESCRIPTION	QTY.
1	206981	CYLINDER, 4 X 36 3000PSI, BLUE (SEE PAGE 1-127)	2
2	2-474-010022	MANIFOLD ASSY, HYDR 8 HOSE	1
3	1-007-010025	PLUG, 3/4-16 O-RING BOSS	2
4	202702-8-8S	ADAPTER, #8 O-RING #8 TUBE	7
5	141828	COUPLER,MALE 3/4-16 O-RING	2
6	141826	ELBOW 90 1/16 RES	4
7	147585	HOSE ASSY3/8X336#8JICX#8O-RNG	2
8	144342	HOSE .38 X150	2
9	116435	HOSE ASSY, 3/8X146 #8 JIC SW	2
10	137601	HOSE ASSY, 3/8X20, #8JIC SWVLL (AFTER 10-28-2020)	1
11	2062-8-8S	ADAPTER, 90, #8 O-RING-TUBE (AFTER 10-28-2020)	1
12	165287	VALVE, RELIEF, 1000PSI (AFTER 10-28-2020)	1
13	203102-8-8S	ADAPTER,TEE,1/2 #8JICX#8JICSWV (AFTER 10-28-2020)	1
14	102-1130	FTG,STR 8M ORING X 8F JIC SWL (AFTER 10-28-2020)	1
15	155529	HOSE WRAP, YELLOW 1" ID X 8"	1

ILLUSTRATED PARTS LIST

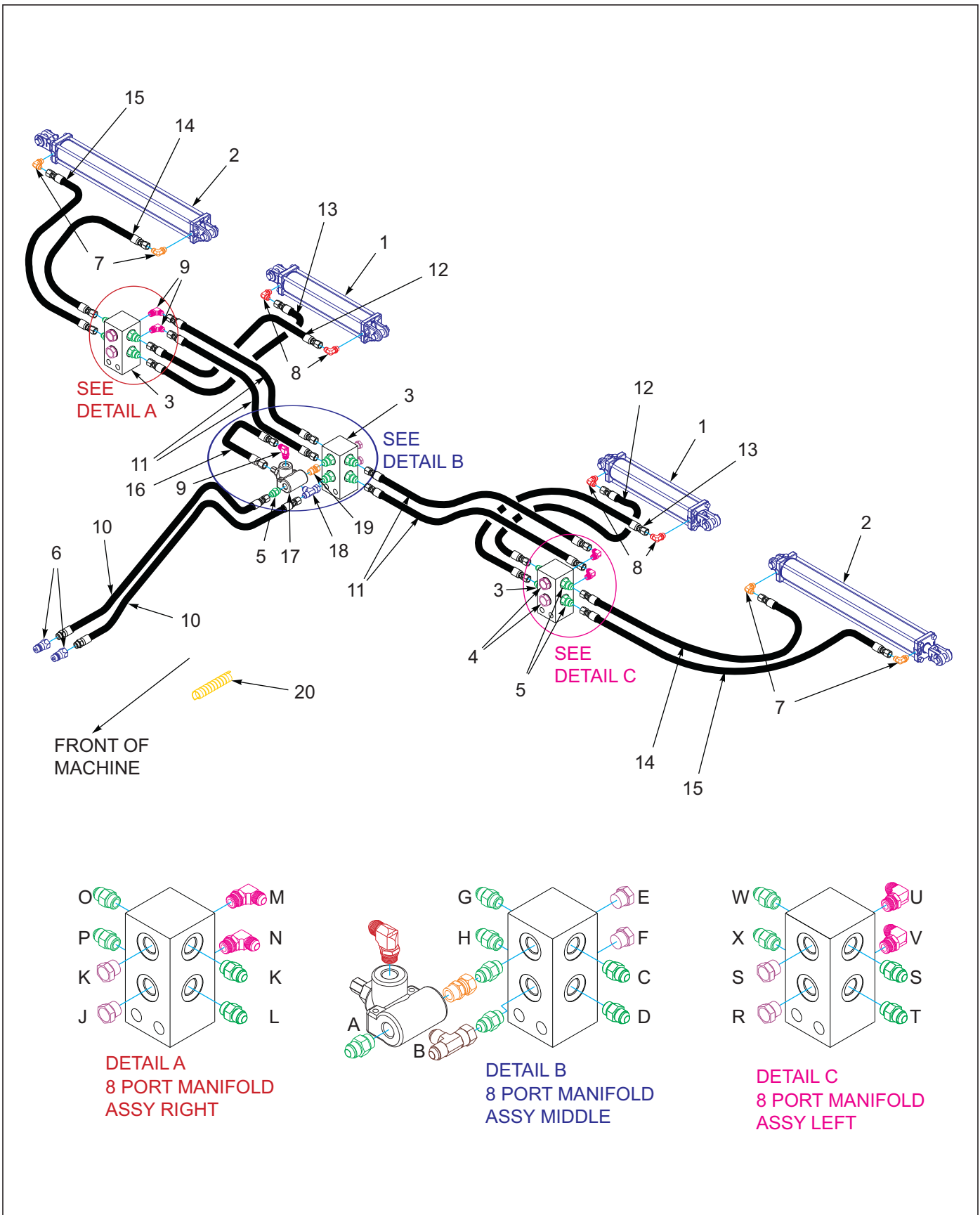


Figure 1-58: Fold Hydraulic Assembly 1790-52'

Fold Hydraulic Assembly 1790-52'

ITEM	PART NO.	DESCRIPTION	QTY.
1	208779	CYLINDER, 4 1/2 X 20 3000PSI, BLUE (SEE PAGE 1-126)	2
2	206981	CYLINDER, 4 X 36 3000PSI, BLUE (SEE PAGE 1-127)	2
3	2-474-010022	MANIFOLD ASSY, HYDR 8 HOSE	3
4	1-007-010025	PLUG, 3/4-16 O-RING BOSS	6
5	202702-8-8S	ADAPTER, #8 O-RING #8 TUBE	15
6	141828	COUPLER,MALE 3/4-16 O-RING	2
7	141826	ELBOW 90 1/16 RES	4
8	141827	ELBOW 90 3/4ORB3/4JIC 1/32REST	4
9	2062-8-8S	ADAPTER, 90, #8 O-RING-TUBE	5
10	147585	HOSE ASSY3/8X336#8JICX#8O-RNG	2
11	153620	HOSE ASSY 3/8X140 #8 JIC SWIV	4
12	208812	HOSE ASSY, 3/8X52,-8FJX,-8FJX	2
13	208813	HOSE ASSY, 3/8X68,-8FJX,-8FJX	2
14	71508979	HOSE .38 X72	2
15	209436	HOSE ASSY, 3/8X76,-8FJX,-8FJX	2
16	137601	HOSE ASSY, 3/8X20, #8JIC SWVLL (AFTER 10-28-2020)	1
17	229539	RELIEF VALVE, 2, 300 PSIL (AFTER 10-28-2020)	1
18	203102-8-8S	ADAPTER,TEE,1/2 #8JICX#8JICSWV (AFTER 10-28-2020)	1
19	102-1130	FTG,STR 8M ORING X 8F JIC SWL (AFTER 10-28-2020)	1
20	155529	HOSE WRAP, YELLOW 1" ID X 8"	1

ILLUSTRATED PARTS LIST

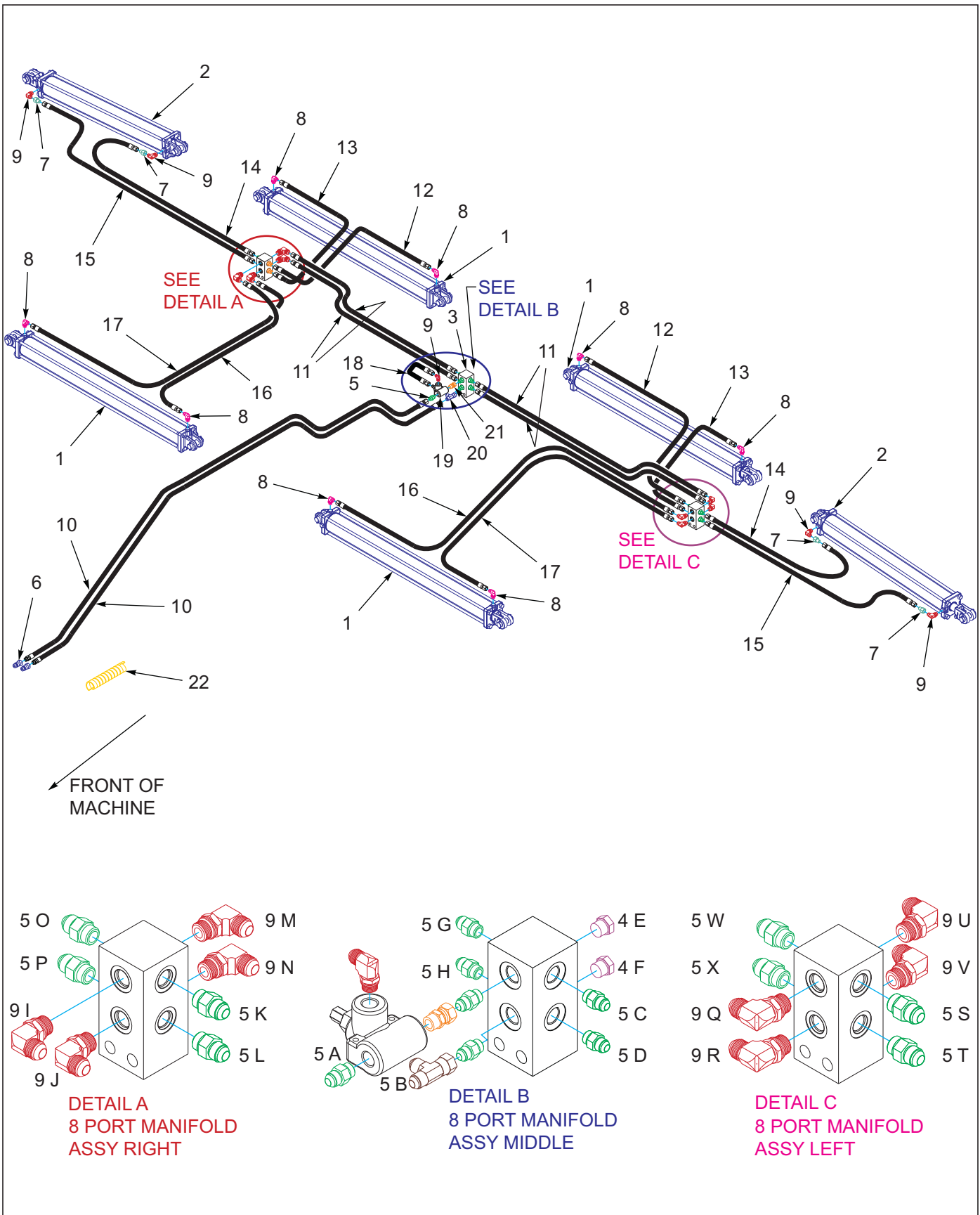


Figure 1-59: Fold Hydraulic Assembly 1710-64'

Fold Hydraulic Assembly 1710-64'

ITEM	PART NO.	DESCRIPTION	QTY.
1	201347	CYLINDER-HYD,4X48,2-1/4RD,3000 (SEE PAGE 1-126)	4
2	206981	CYLINDER, 4 X 36 3000PSI, BLUE (SEE PAGE 1-127)	2
3	2-474-010022	MANIFOLD ASSY, HYDR 8 HOSE	3
4	1-007-010025	PLUG, 3/4-16 O-RING BOSS	2
5	202702-8-8S	ADAPTER, #8 O-RING #8 TUBE	15
6	141828	COUPLER,MALE 3/4-16 O-RING	2
7	127806	ADAPTER,HYD,-8JIC W/3/32RESTR	4
8	141826	ELBOW 90 1/16 RES	8
9	2062-8-8S	ADAPTER, 90, #8 O-RING-TUBE	13
10	147585	HOSE ASSY3/8X336#8JICX#8O-RNG	2
11	153620	HOSE ASSY 3/8X140 #8 JIC SWIV	4
12	71508988	HOSE ASSY 3/8 X 80	2
13	139213	HOSE ASSY 3/8X105 #8JIC SWIVEL	2
14	198296	HOSE ASSY, 3/8X144 #8JIC SWIV	2
15	144342	HOSE ASSY 3/8X150 #8 JIC SWIV	2
16	137600	HOSE ASSY 3/8X130 #8JIC SWVL	2
17	159569	HOSE ASSY 3/8X161,#8JIC SWVL	2
18	137601	HOSE ASSY, 3/8X20, #8JIC SWVLL (AFTER 10-28-2020)	1
19	229539	RELIEF VALVE, 2, 300 PSIL (AFTER 10-28-2020)	1
20	203102-8-8S	ADAPTER,TEE,1/2 #8JICX#8JICSWV (AFTER 10-28-2020)	1
21	102-1130	FTG,STR 8M ORING X 8F JIC SWL (AFTER 10-28-2020)	1
22	155529	HOSE WRAP, YELLOW 1" ID X 8"	1

Cylinder Assemblies

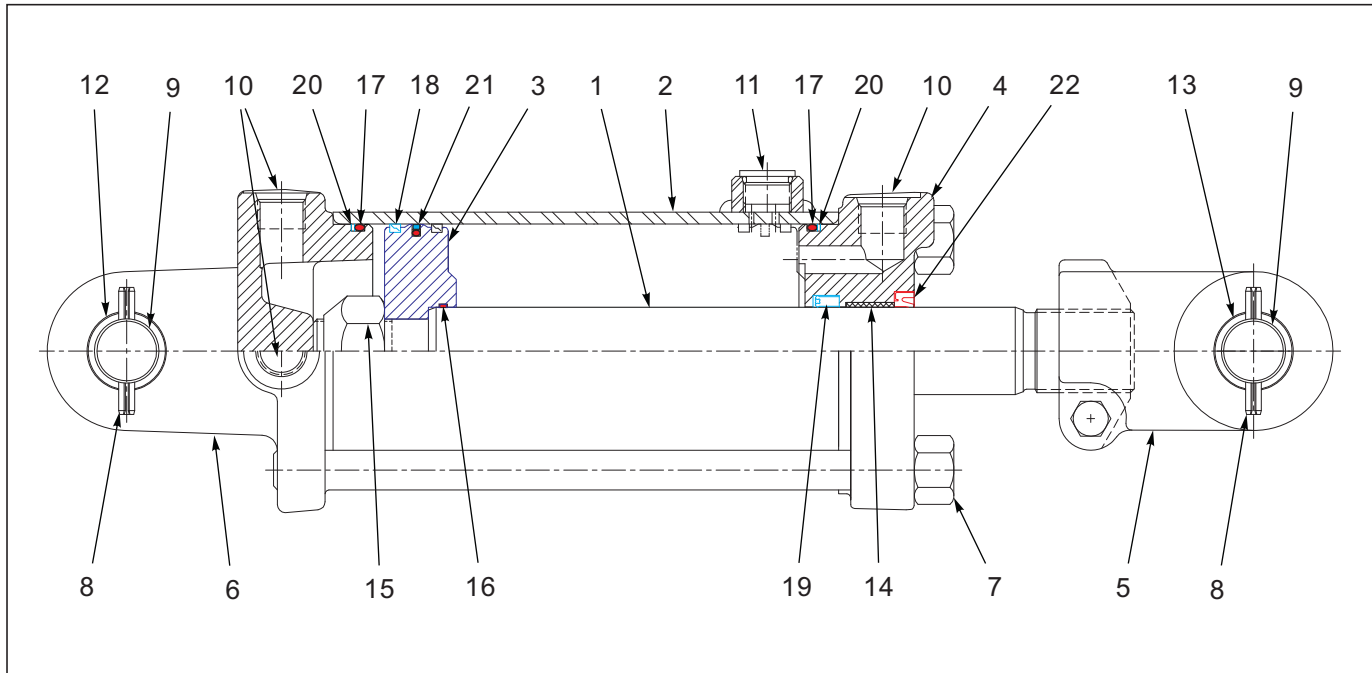


Figure 1-60: Cylinder - Rephase 3-1/4 X 10

Cylinder - Rephase 3-1/4 X 10

ITEM	PART NO.	DESCRIPTION	QTY.
	202273	CYLINDER, 3-1/4 X 10, REPHASE	
1	-----	PISTON, ROD	1
2	-----	TUBE ASSY	1
3	-----	PISTON	1
4	148092	GLAND ASSY	1
5	148087	CLEVIS ASSY	1
6	218642	BUTT CLEVIS ASSY	1
7	-----	TIEROD STUD W/ HEX NUT	4
8	111789	ROLL PIN	4
9	143994	CLEVIS PIN	2
10	-----	#8 SAE HEX HEAD PLUG	3
11	-----	#8 SAE HOLLOW HEAD PLUG	1
12	142112	BUSHING	2
13	1408088	BUSHING	2
14	125566	DU BUSHING	1
15	-----	LOCK NUT	1
16	-----	O- RING	1
17	-----	O- RING	2
18	-----	PISTON BEARING RING	1
19	-----	U- CUP	1
20	-----	BU- WASHER	2
21	-----	TEFLON SEAL	1
22	-----	CANNED WIPER	1
23	216119	PACKING KIT (NOT SHOWN) (INCL ITEMS 16-22)	

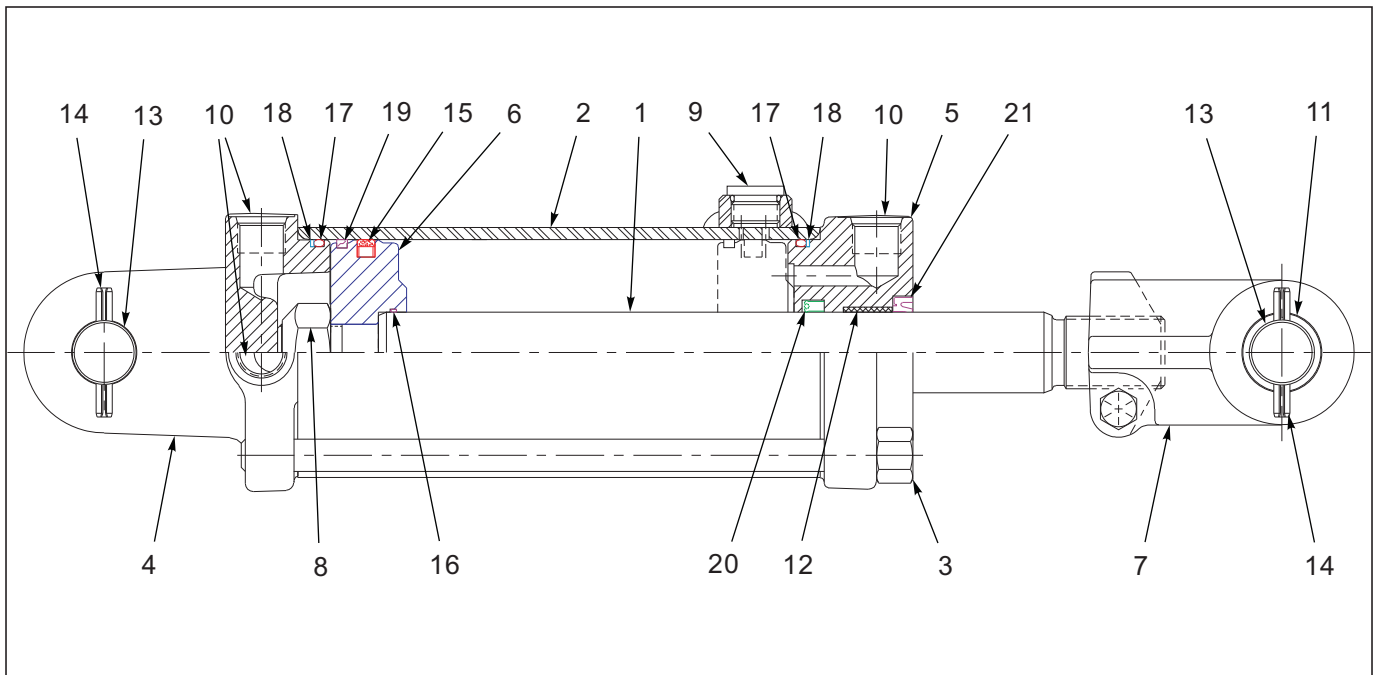


Figure 1-61: Cylinder - Rephase 3-1/2 X 10

Cylinder - Rephase 3-1/2 X 10

ITEM	PART NO.	DESCRIPTION	QTY.
--	164172	CYLINDER 3-1/2X10, REPHASE	
1	----	PISTON ROD	1
2	----	TUBE ASSEMBLY	1
3	----	TIEROD ASSY	4
4	148084	BUTT CLEVIS	1
5	148085	GLAND ASSEMBLY	1
6	-----	PISTON	1
7	148087	CLEVIS ASSEMBLY	1
8	-----	LOCK NUT	1
9	-----	SHIPPING PLUG	1
10	-----	SHIPPING PLUG	3
11	148088	HARD, BUSHING	2
12	125566	DU BUSHING	1
13	143994	CLEVIS PIN	2
14	111789	ROLL PIN	4
15	----	TEFLON SEAL	1
16	----	O-RING	1
17	----	O-RING	2
18	----	BU-WASHER	2
19	----	BEARING RING	1
20	----	U-CUP	1
21	----	CANNED WIPER	1
22	164245	PACKING KIT (NOT SHOWN) (INCLUDES ITEMS 15-21)	

ILLUSTRATED PARTS LIST

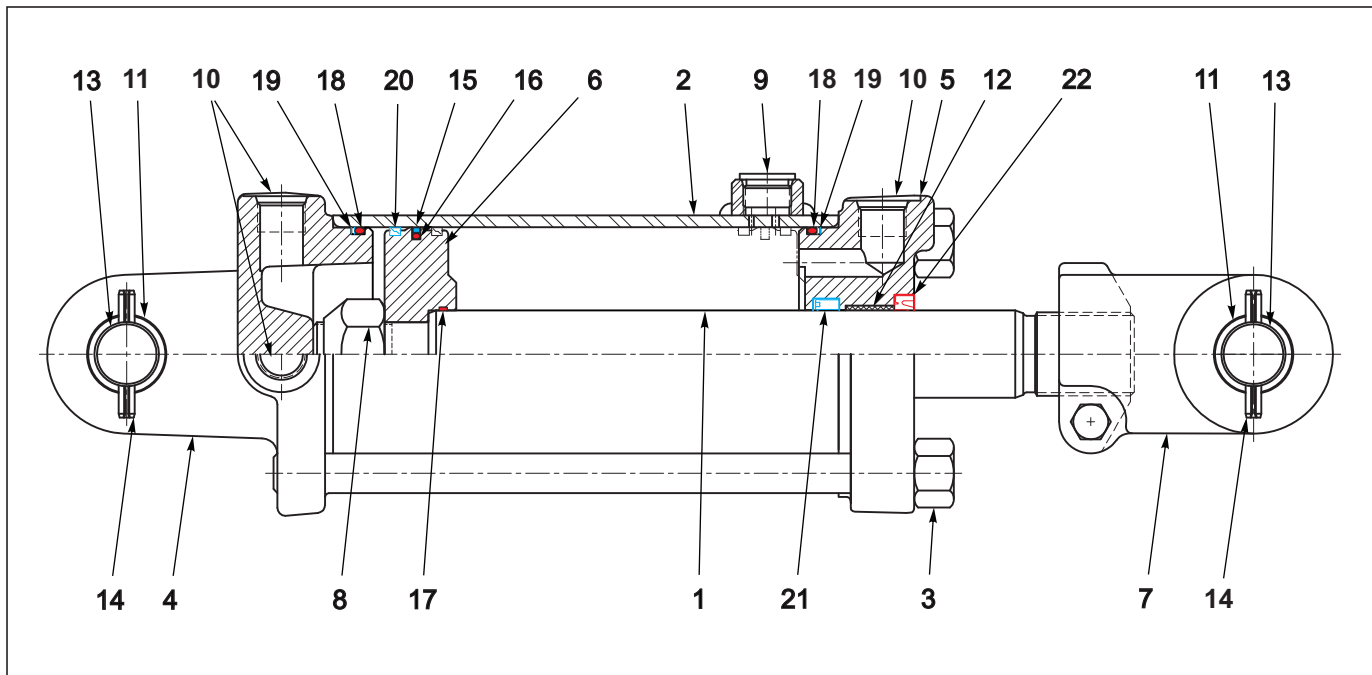


Figure 1-62: Cylinder - Rephase 3-3/4 X 10

Cylinder - Rephase 3-3/4 X 10

ITEM	PART NO.	DESCRIPTION	QTY.
--	140471	CYLINDER, 3-3/4 X 10, REPHASE (1" PINS)	
1	----	PISTON, ROD	1
2	----	TUBE ASSY	1
3	----	TIEROD ASSY	1
4	142116	BUTT CLEVIS ASSEMBLY	1
5	111871	GLAND ASSY	1
6	----	PISTON ROD	1
7	142110	CLEVIS ASSY	1
8	----	NUT, LOCK	1
9	----	PLUG, PORT	1
10	----	PLUG, PORT	3
11	142112	BUSHING	4
12	141301	BUSHING	1
13	143994	PIN, CLEVIS	2
14	111789	ROLL PIN	4
15	----	TEFLON SEAL	1
16	----	O- RING	1
17	----	O- RING	1
18	----	O- RING	2
19	----	BU- WASHER	2
20	----	BEARING RING	2
21	----	U- CUP	1
22	----	CANNED WIPER	1
23	142103	PACKING KIT (NOT SHOWN) (INCLUDES ITEMS 15-22)	

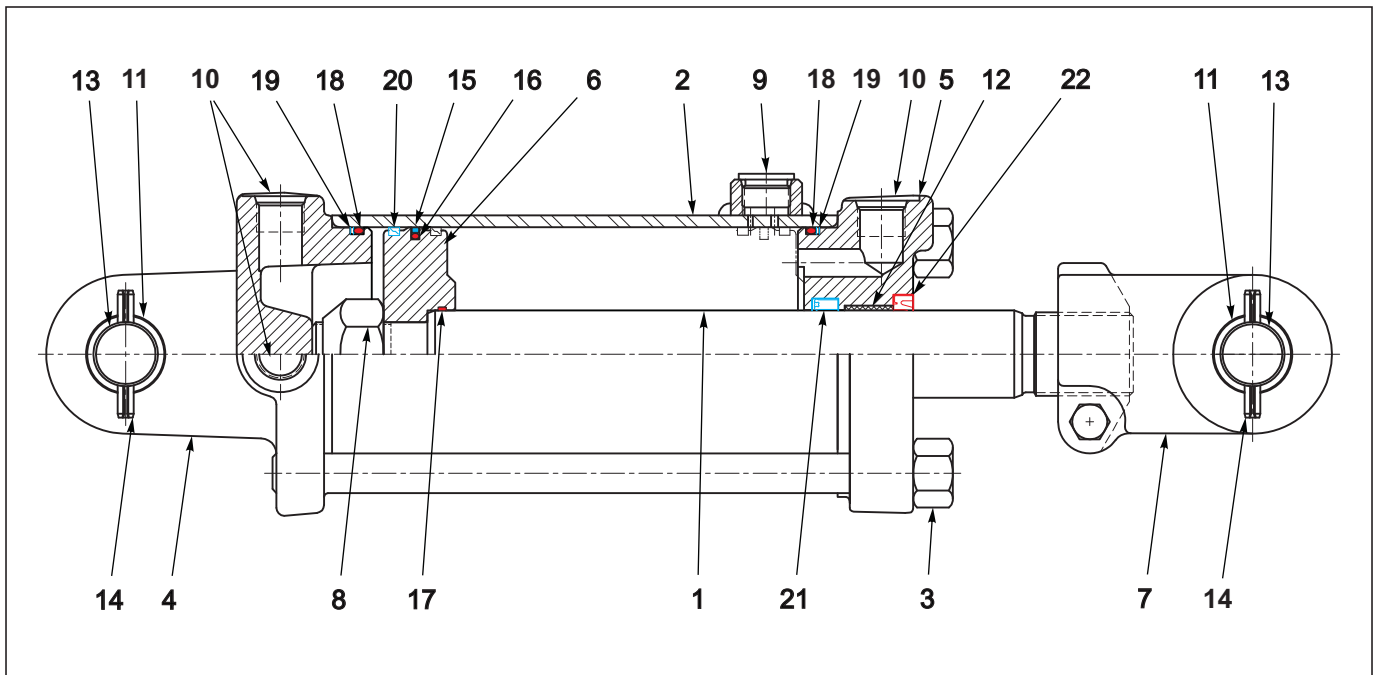


Figure 1-63: Cylinder - Rephase 4 X 10

Cylinder - Rephase 4 X 10

ITEM	PART NO.	DESCRIPTION	QTY.
--	140470	CYLINDER 4X10 REPHASE (1" PINS)	
1	----	PISTON, ROD	1
2	----	TUBE	1
3	----	TIEROD ASSY	1
4	142114	BUTT CLEVIS ASSY	1
5	142109	GLAND ASSEMBLY	1
6	----	PISTON	1
7	142110	CLEVIS ASSEMBLY	1
8	----	NUT, LOCK	1
9	----	PLUG, PORT	1
10	----	PLUG, PORT	3
11	142112	BUSHING	4
12	141301	BUSHING	1
13	143994	PIN, CLEVIS	2
14	111789	ROLL PIN	4
15	----	TEFLON SEAL	1
16	----	O- RING	1
17	----	O- RING	1
18	----	O- RING	2
19	----	BU- WASHER	2
20	----	BEARING RING	2
21	----	U- CUP	1
22	----	CANNED WIPER	1
23	142111	PACKING KIT (NOT SHOWN) (INCLUDES ITEMS 15-22)	

ILLUSTRATED PARTS LIST

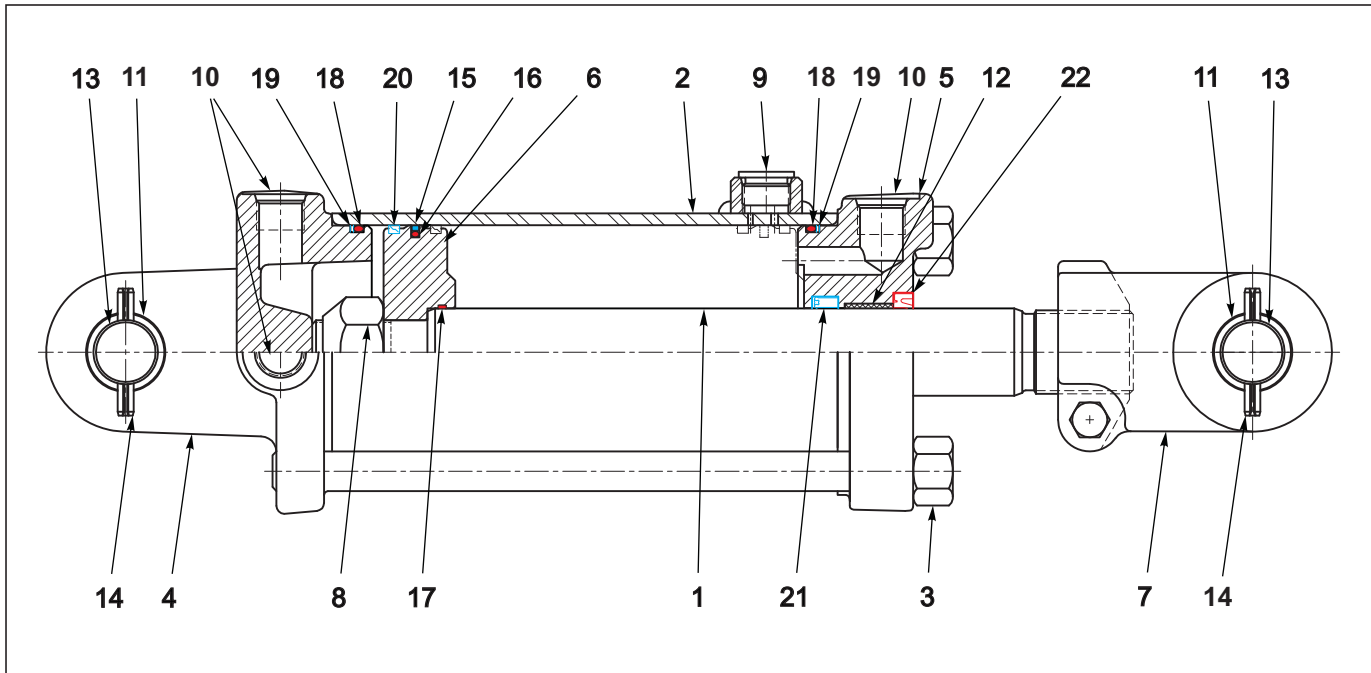


Figure 1-64: Cylinder - Rephase 4-1/2 X 10

Cylinder - Rephase 4-1/2 X 10 (Prince)

ITEM	PART NO.	DESCRIPTION	QTY.
--	184784	CYLINDER, 4-1/2 X 10, REPHASE	
1	----	,PISTON ROD	1
2	----	TUBE	1
3	----	TIE ROD ASSY	1
4	218641	BUTT CLEVIS ASSY	1
5	103153	GLAND ASSY	1
6	----	PISTON	1
7	137304	CLEVIS ASSY	1
8	----	NUT, LOCK	1
9	----	PLUG, PORT	1
10	----	PLUG, PORT	3
11	135912	BUSHING	4
12	137702	BUSHING	1
13	147755	CLEVIS PIN	2
14	111789	ROLL PIN	4
15	----	TEFLON SEAL	1
16	----	O- RING	1
17	----	O- RING	1
18	----	O- RING	2
19	----	BU- WASHER	2
20	----	BEARING RING	2
21	----	U- CUP	1
22	----	CANNED WIPER	1
23	208435	PACKING KIT (NOT SHOWN) (INCLUDES ITEMS 15-22)	

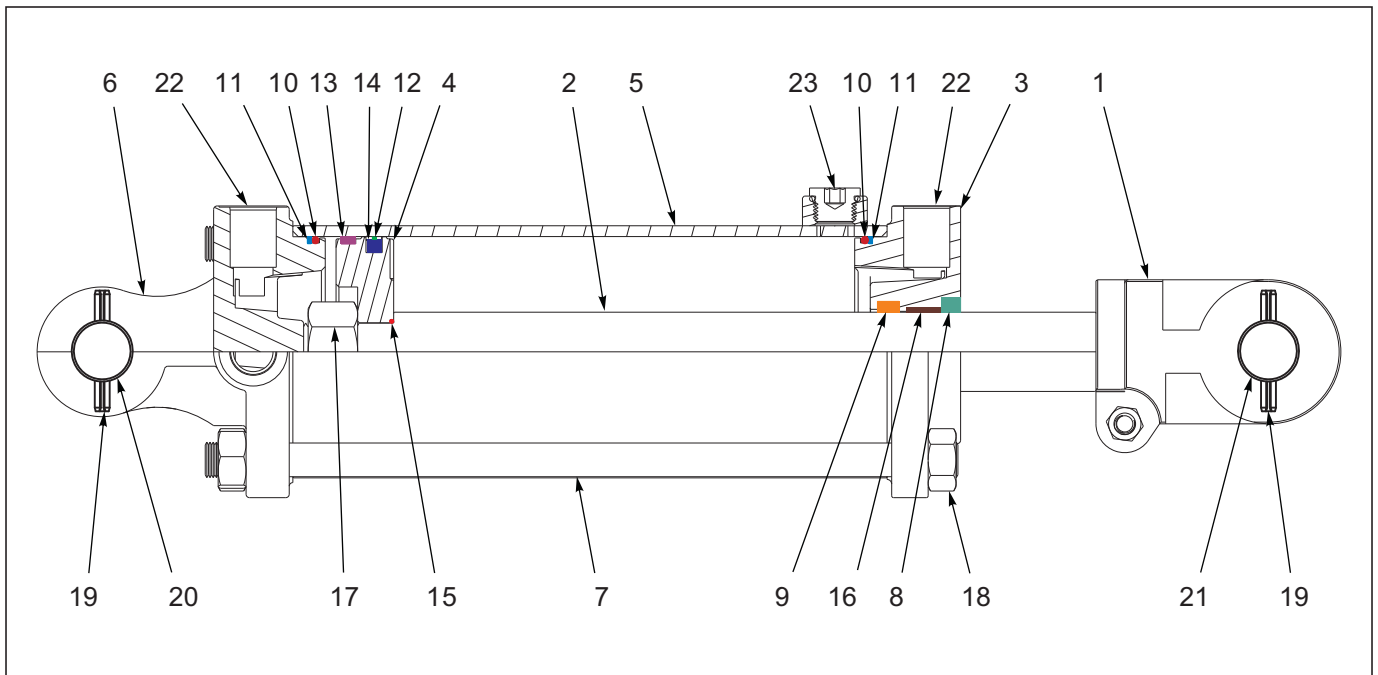


Figure 1-65: Cylinder - Rephase 4-1/2 X 10

Cylinder - Rephase 4-1/2 X 10 (Midway)

ITEM	PART NO.	DESCRIPTION	QTY.
--	184784M	CYLINDER, 4-1/2 X 10, REPHASE	
1	229553	ROD CLEVIS-ADI,1-1/4 PIN,MIDWA	1
2	----	ROD	1
3	226607	GLAND, 4-1/2" BORE, MIDWAY	1
4	----	PISTON	1
5	----	TUBE	1
6	229552	BUTT CLEVIS, 4-1/2 BORE,MIDWAY	1
7	----	TIEROD	4
8	----	WIPER	1
9	----	U- CUP	1
10	----	OD O- RING	2
11	----	OD BACKUP	2
12	----	GREEN	1
13	----	WEAR RING	1
14	----	LOADER	1
15	----	O- RING	1
16	----	BUSHING	1
17	----	PISTON NUT	1
18	----	TIEROD NUT	8
19	147072	PIN, SPRING SLOTTED 5/16 X 2	2
20	226614	CLEVIS PIN,1-1/4 HARDEN,MIDWAY	1
21	226615	CLEVIS PIN,1-1/4 HARDEN,MIDWAY	1
22	----	HEX PLUG	3
23	----	REPHASING PORT PLUG	1
24	226616	PACKING KIT,4-1/2" BORE,MIDWAY(NOT SHOWN) (INCLUDES ITEMS 8-16)	1

ILLUSTRATED PARTS LIST

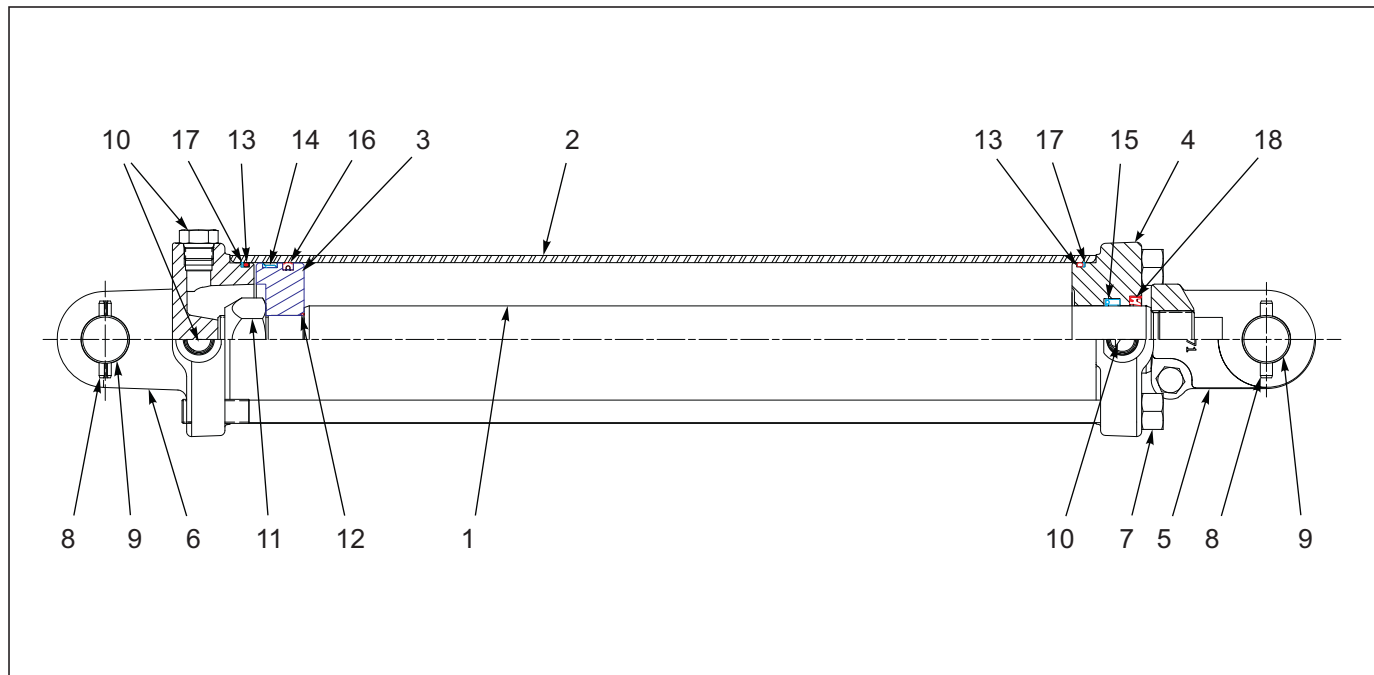


Figure 1-66: Cylinder - 4-1/2 X 20

Cylinder - 4-1/2 X 20

ITEM	PART NO.	DESCRIPTION	QTY.
--	208779	CYLINDER,4-1/2X20 3000PSI,BLUE	
1	----	PISTON ROD	1
2	----	TUBE	1
3	----	PISTON	1
4	169549	GLAND	1
5	100000362	CLEVIS ASSY	1
6	218648	BUTT CLEVIS	1
7	-----	TIE ROD STUD W/HEX NUT	4
8	111789	ROLL PIN	4
9	169550	CLEVIS PIN	2
10	----	#8 SAE HEX HEAD PLUG	3
11	----	LOCK NUT	1
12	----	O- RING	1
13	----	O- RING	2
14	----	PISTON BEARING RING	1
15	----	U-CUP	1
16	----	CROWN SEAL	1
17	----	BU- WASHER	2
18	----	CANNED WIPER	1
19	180483	PACKING KIT (NOT SHOWN) (INCL ITEMS 12-18)	

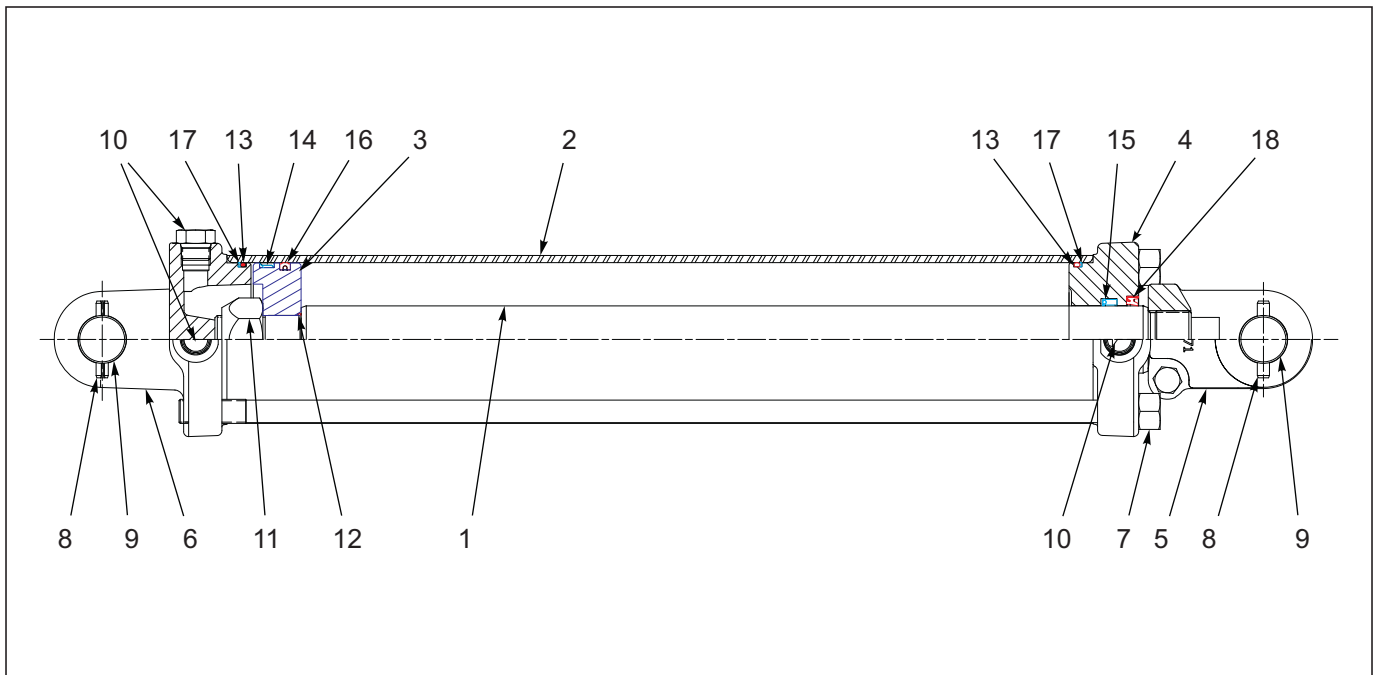


Figure 1-67: Cylinder - 4 X 36

Cylinder - 4 X 36

ITEM	PART NO.	DESCRIPTION	QTY.
--	206981	CYLINDER, 4 X 36 3000PSI, BLUE	
1	----	PISTON ROD	1
2	----	TUBE	1
3	----	PISTON	1
4	147376	GLAND	1
5	100000328	CLEVIS ASSY	1
6	142119	BUTT	1
7	----	TIE ROD STUD W/HEX NUT	4
8	111789	ROLL PIN	4
9	147755	CLEVIS PIN	2
10	----	#8 SAE HEX HEAD PLUG	3
11	----	LOCK NUT	1
12	----	O- RING	1
13	----	O- RING	2
14	----	PISTON BEARING RING	1
15	----	U-CUP	1
16	----	CROWN SEAL	1
17	----	BU- WASHER	2
18	----	CANNED WIPER	1
19	214591	PACKING KIT (NOT SHOWN) (INCL ITEMS 12-18)	

ILLUSTRATED PARTS LIST

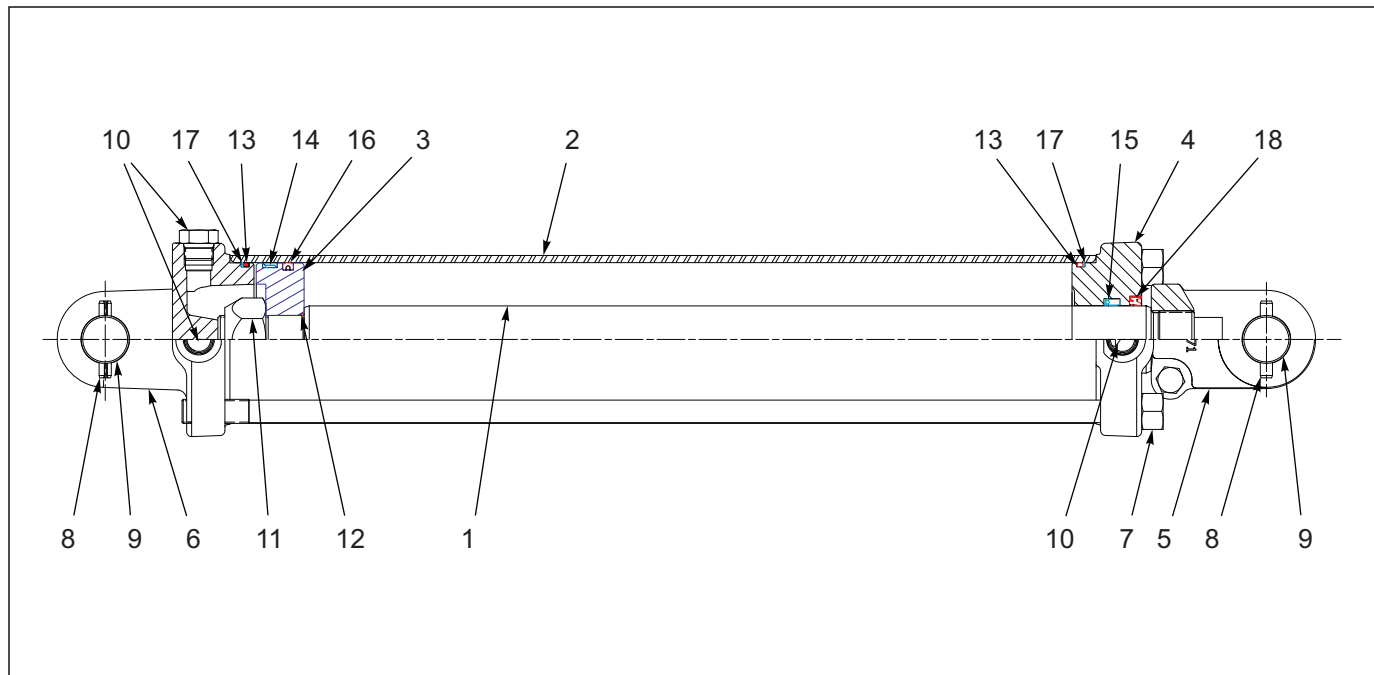


Figure 1-68: Cylinder - 4 X 48

Cylinder - 4 X 48

ITEM	PART NO.	DESCRIPTION	QTY.
--	201347	CYLINDER-HYD,4X48,2-1/4RD,3000	
1	----	PISTON ROD	1
2	----	TUBE	1
3	----	PISTON	1
4	218649	GLAND	1
5	100000328	CLEVIS ASSY	1
6	142119	BUTT CLEVIS	1
7	----	TIEROD ASSEMBLY	4
8	111789	ROLL PIN	4
9	147755	CLEVIS PIN	2
10	----	SHIPPING PLUG	3
11	----	LOCKNUT	1
12	----	O- RING	1
13	----	O- RING	2
14	----	PISTON BEARING RING	1
15	----	U-CUP	1
16	----	CROWN SEAL	1
17	----	BU- WASHER	2
18	----	CANNED WIPER	1
19	208504	PACKING KIT (NOT SHOWN) (INCL ITEMS 12-18)	

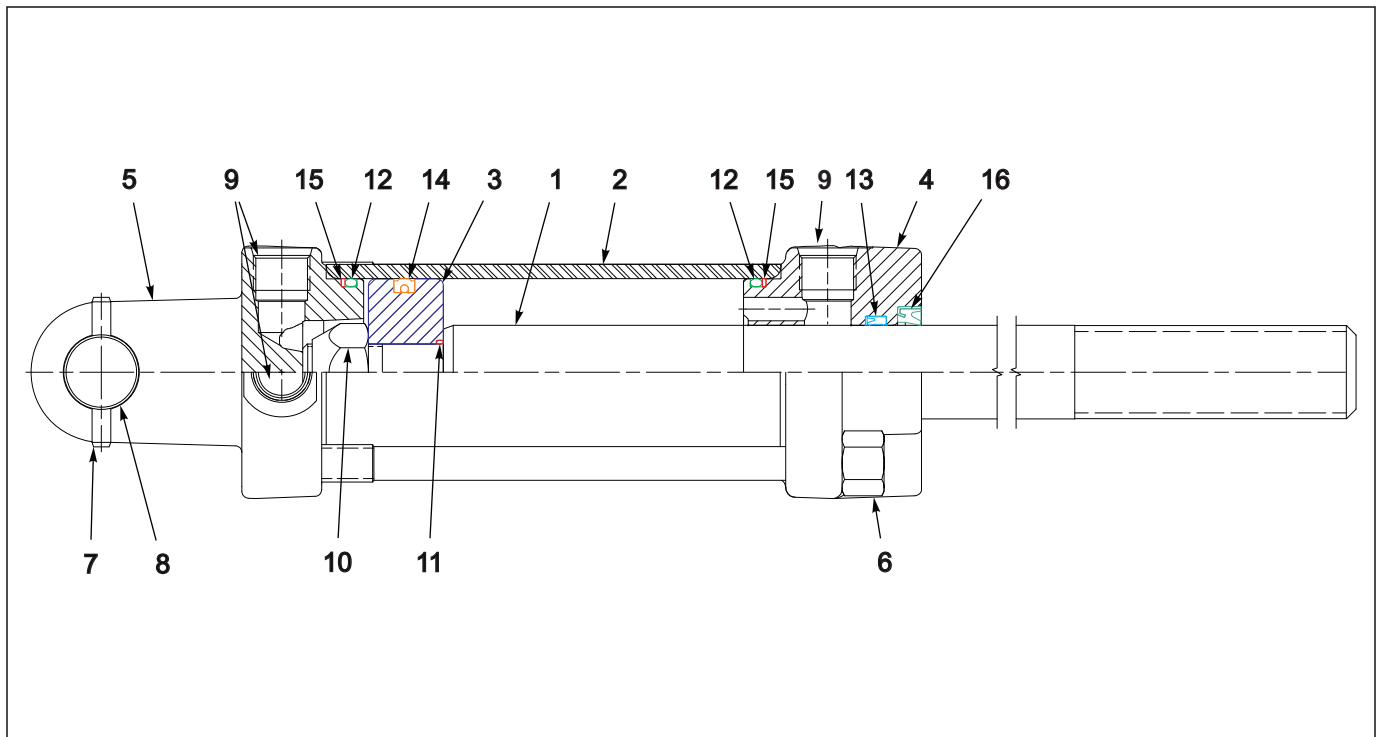


Figure 1-69: Cylinder 2-1/2 x 4

Cylinder - 2-1/2 X 4

ITEM	PART NO.	DESCRIPTION	QTY.
--	208773	CYLINDER, 2-1/2 X 4 3000 PSI	
1	----	PISTON ROD	1
2	----	TUBE	1
3	----	PISTON	1
4	154105	GLAND	1
5	154096	BUTT CLEVIS	1
6	----	TIE ROD STUD W/HEX NUT	4
7	111789	ROLL PIN	2
8	155868	CLEVIS PIN - HDN	1
9	----	#8 SAE HEX HEAD PLUG	3
10	----	LOCK NUT	1
11	----	O- RING	1
12	----	O- RING	2
13	----	U-CUP	1
14	----	CROWN SEAL	1
15	----	BU- WASHER	2
16	----	CANNED WIPER	1
17	214592	PACKING KIT (NOT SHOWN) (INCL ITEMS 11-16)	

Electrical

7-PIN CONN.	4-PIN TOWER	CIRCUIT	WIRE COLOR
1	D	GROUND	WHITE ●
2	–	WORK LAMPS	BLACK ●
3	B	LEFT FLASHING & TURN	YELLOW ●
4	–	STOP LAMPS	RED ●
5	A	RIGHT FLASHING & TURN	GREEN ●
6	C	TAIL LAMPS	BROWN ●
7	–	SWITCHED POWER (12 V)	BLUE ●

MAIN WARNING LIGHT HARNESS - WIRING CHART

	1	2	3	4	5
	2-PIN TOWER	3-PIN TOWER	6-PIN SHROUD	3-PIN TOWER	2-PIN TOWER
● BLACK LEFT TURN			A	C	
● WHITE GROUND	A	A	B	A	A
● BROWN TAIL LIGHT		B	C	B	
● YELLOW LEFT TURN			D		B
● GREEN RIGHT TURN	B		E		
● RED RIGHT TURN		C	F		

REAR WARNING LIGHT HARNESS - WIRING CHART

Figure 1-70: Electrical Assembly W/ LED Lights Chart

ILLUSTRATED PARTS LIST

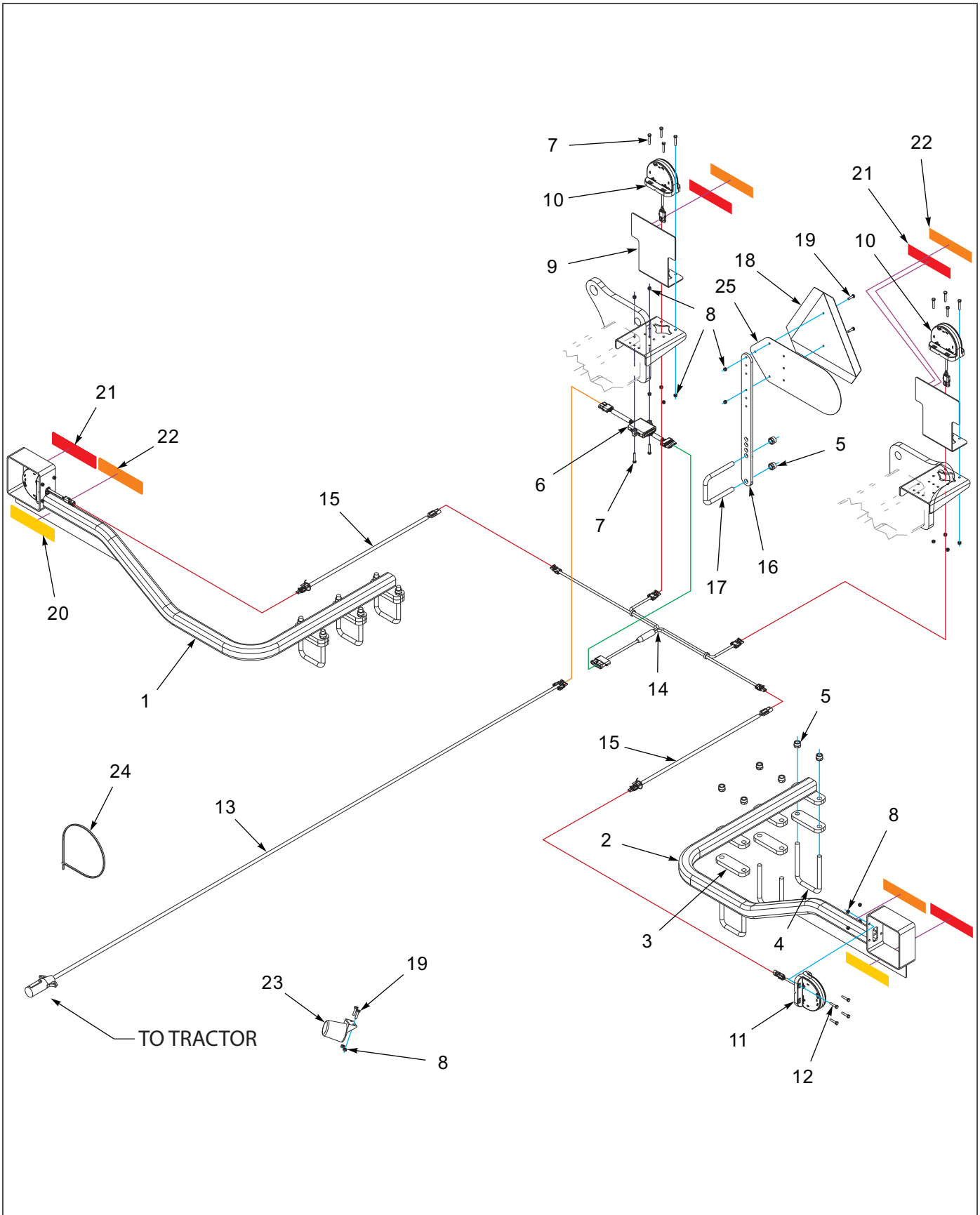


Figure 1-71: Electrical Assembly W/ LED Lights 1760-35'

Electrical Assembly W/ LED Lights 1760-35'

ITEM	PART NO.	DESCRIPTION	QTY.
--	211411	LIGHT KIT, 1760	
1	211413	WLDMT, RH LIGHT MNT	1
2	211412	WLDMT, LH LIGHT MNT	1
3	211416	PLATE, LIGHT MNT	6
4	141228	U-BOLT 5/8X4X6-1/2	6
5	1-512-010005-13	NUT,HEX SLFLKG GRB 5/8-11	14
6	174437	MODULE, AG FLASHER CONTROL	1
7	1-654-010047-08	SCREW HX CP,1/4-20UNCX1-1/2G5	10
8	1-512-010005-01	NUT,HEX,SLFLKG GRB 1/4-20	22
9	164139	MOUNT, REFLECTOR	2
10	174435	LAMP, AG RED SINGLE LED	2
11	174436	LAMP, AG AMBER SINGLE LED	2
12	1-654-010047-07	SCREW,HX CP 1/4-20UNCX1-1/4G5	8
13	174438	HARNESS, MAIN WARNING LIGHTS	1
14	174439	HARNESS, REAR WARNING LIGHTS	1
15	208765	HARNESS ASM WARN LIGHT EXT132"	2
16	164142	BRACKET, SMV MOUNTING	1
17	6-102-010009	U-BOLT RIGID GA WHEEL	1
18	70260977	SMV EMBLEM	1
19	1-654-010047-06	SCREW,HX CP 1/4-20UNCX1 GR5	4
20	528934	REFLECTOR - YELLOW	2
21	528933	REFLECTOR - RED	4
22	528938	STRIPE, ORANGE	4
23	2-368-010287	HARNESS, STOR-A-WAY	1
24	105874	TIE,STRAP PLSTC 21.5-24X.301	15
25	224590	MOUNT, SIS DECAL	1

ILLUSTRATED PARTS LIST

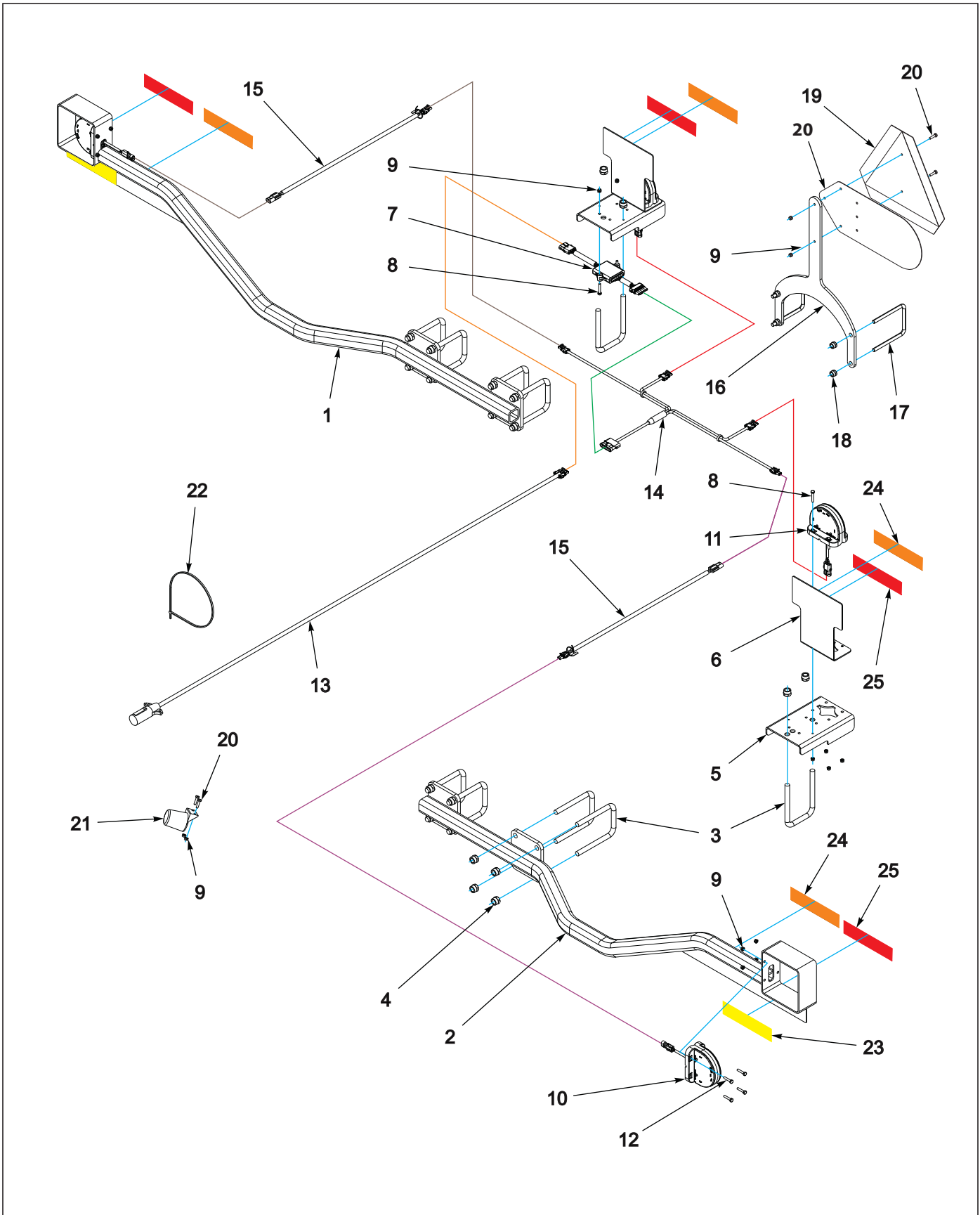


Figure 1-72: Electrical Assembly W/ LED Lights 1770-40', 1790-52' & 1710-64'

Electrical Assembly W/ LED Lights 1770-40', 1790-52' & 1710-64'

ITEM	PART NO.	DESCRIPTION	QTY.
--	209458	LIGHT KIT, 1770	
--	208766	LIGHT KIT, 1790	
--	216104	LIGHT KIT, 1710	
1	209460	WLDMT, RH LIGHT MNT (1770-40')	1
1	208763	WLDMT, RH LIGHT MNT (1790-52')	1
1	216106	WLDMT,RH LIGHT MNT (1710-64')	1
2	209459	WLDMT, LH LIGHT MNT (1770-40')	1
2	208759	WLDMT, LH LIGHT MNT (1790-52')	1
2	216105	WLDMT,LH LIGHT MNT (1710-64')	1
3	141228	U-BOLT 5/8X4X6-1/2	10
4	1-512-010005-13	NUT,HEX SLFLKG GRB 5/8-11	20
5	164138	MOUNT, LIGHT TAIL	2
6	164140	REFLECTOR ASSY	2
7	174437	MODULE, AG FLASHER CONTROL	1
8	1-654-010047-08	SCREW HX CP,1/4-20UNCX1-1/2G5	10
9	1-512-010005-01	NUT,HEX,SLFLKG GRB 1/4-20	22
10	174436	LAMP, AG AMBER SINGLE LED	2
11	174435	LAMP, AG RED SINGLE LED	2
12	1-654-010047-07	SCREW,HX CP 1/4-20UNCX1-1/4G5	8
13	174438	HARNESS, MAIN WARNING LIGHTS	1
14	174439	HARNESS, REAR WARNING LIGHTS	1
15	208765	HARNESS ASM WARN LIGHT EXT132"	2
16	208767	SMV MOUNTING BRACKET	1
17	3J562	U-BOLT 1/2-13 X 5-1/2 X 4-9/16	2
18	1-512-010005-09	NUT,HEX,SLFLKG, 1/2-13 GRB	4
19	70260977	SMV EMBLEM	1
20	1-654-010047-06	SCREW,HX CP 1/4-20UNCX1 GR5	4
21	2-368-010287	HARNESS, STOR-A-WAY	1
22	105874	TIE,STRAP PLSTC 21.5-24X.301	15
23	528934	REFLECTOR - YELLOW	2
24	528938	STRIPE, ORANGE	4
25	528933	REFLECTOR - RED	4
26	224590	MOUNT, SIS DECAL	1

Decals

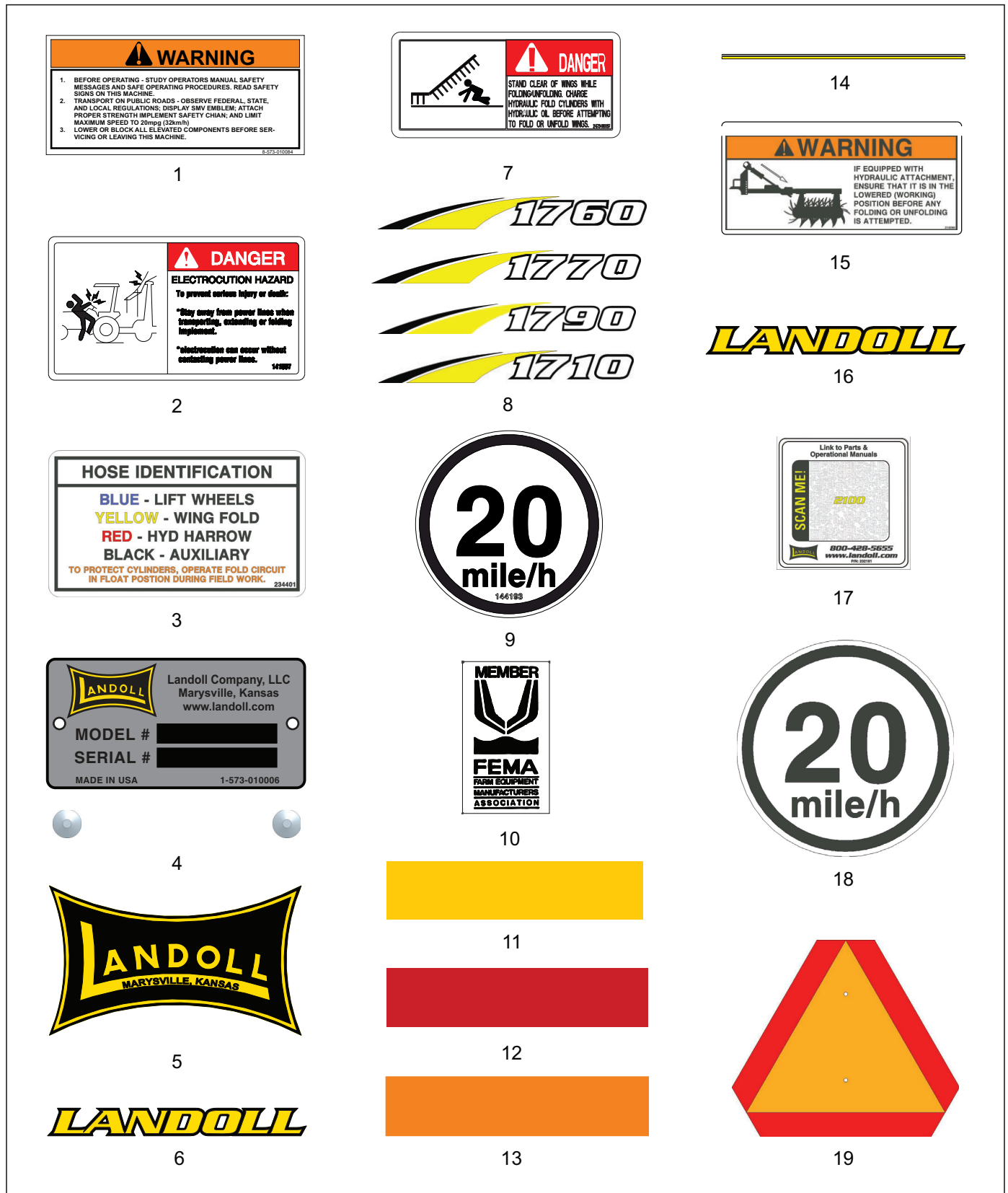


Figure 1-73: Decals

ILLUSTRATED PARTS LIST

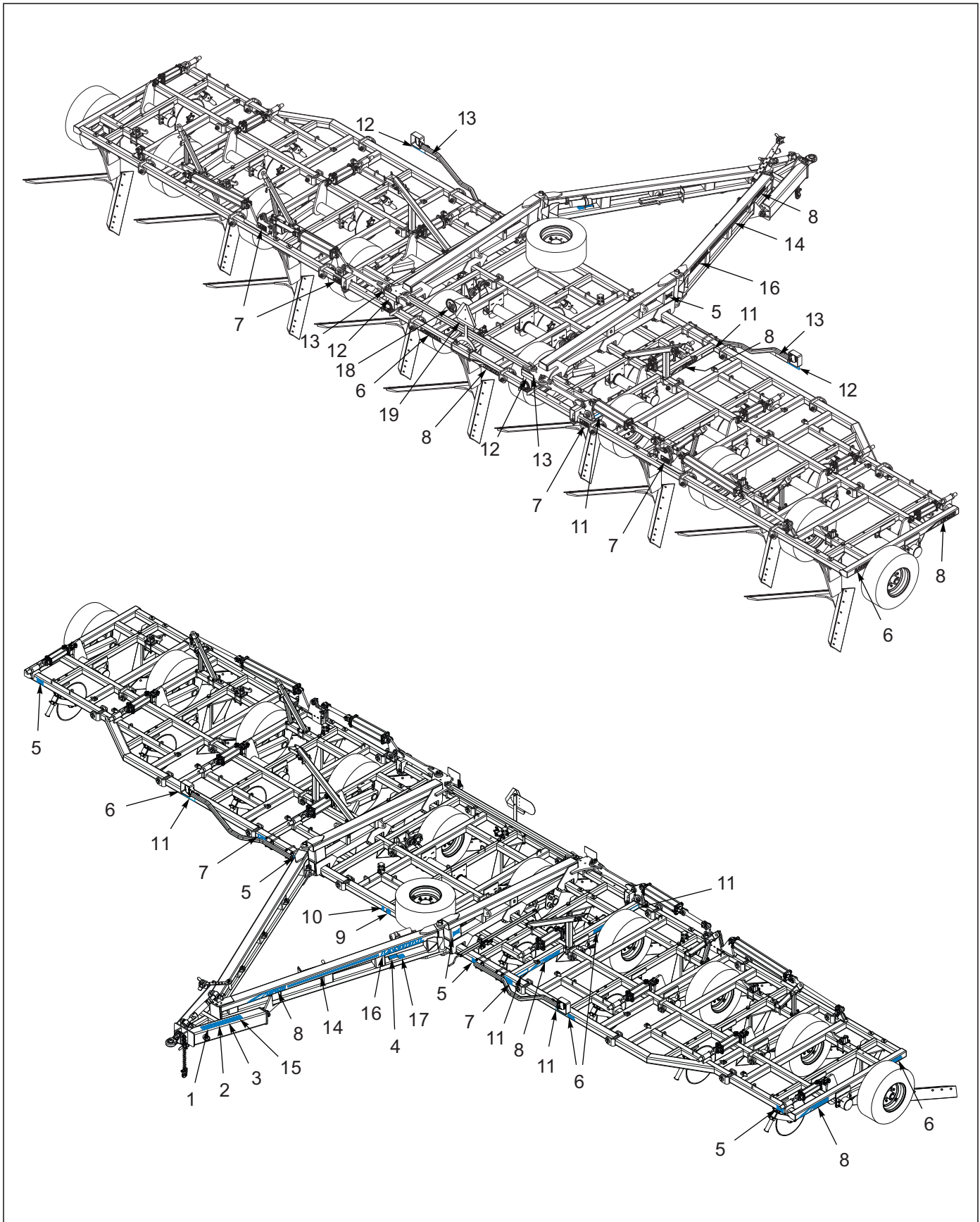


Figure 1-74: Decal Locations

Decal Locations & Arrangements

ITEM	PART NO.	DESCRIPTION	QTY.
1	8-573-010084	DECAL WARNING BEFORE OPERATG	1
2	141597	DECAL, DANGER ELECTROCUTION	1
3	234401	DECAL, HOSE IDENTIFICATION	1
4	1-573-010006	PLACARD, NAME	1
4	156010	RIVET, BLIND .156X1/2 GRIP	2
5	141259	DECAL, LANDOLL, YELLOW	6
6	148337	ATTACHMENT DECAL, LANDOLL	7
7	2-573-010037	DECAL, DANGER, WING	6
8	206962	DECAL, MODEL 1760	7
8	206963	DECAL, MODEL 1770	7
8	206964	DECAL, MODEL 1790	7
8	206965	DECAL, MODEL 1710	7
9	144193	DECAL, SIS 20 MPH	1
10	2-573-010198	DECAL, MEMBER FEMA	1
11	528934	REFLECTOR - YELLOW	4
12	528933	REFLECTOR - RED	4
13	528938	STRIPE, ORANGE	4
14	151539	DECAL, STRIPE 1" X 54"	2
15	214590	DECAL, HYD TREADER WARNING	1
16	141260	DECAL, LANDOLL	2
17	232187	DECAL, QR CODE BLADE PL SERIES	1
18	224589	DECAL, SIS 20 MILE/H	1
19	70260977	SMV EMBLEM	1

Rear Tow Hitch Assembly

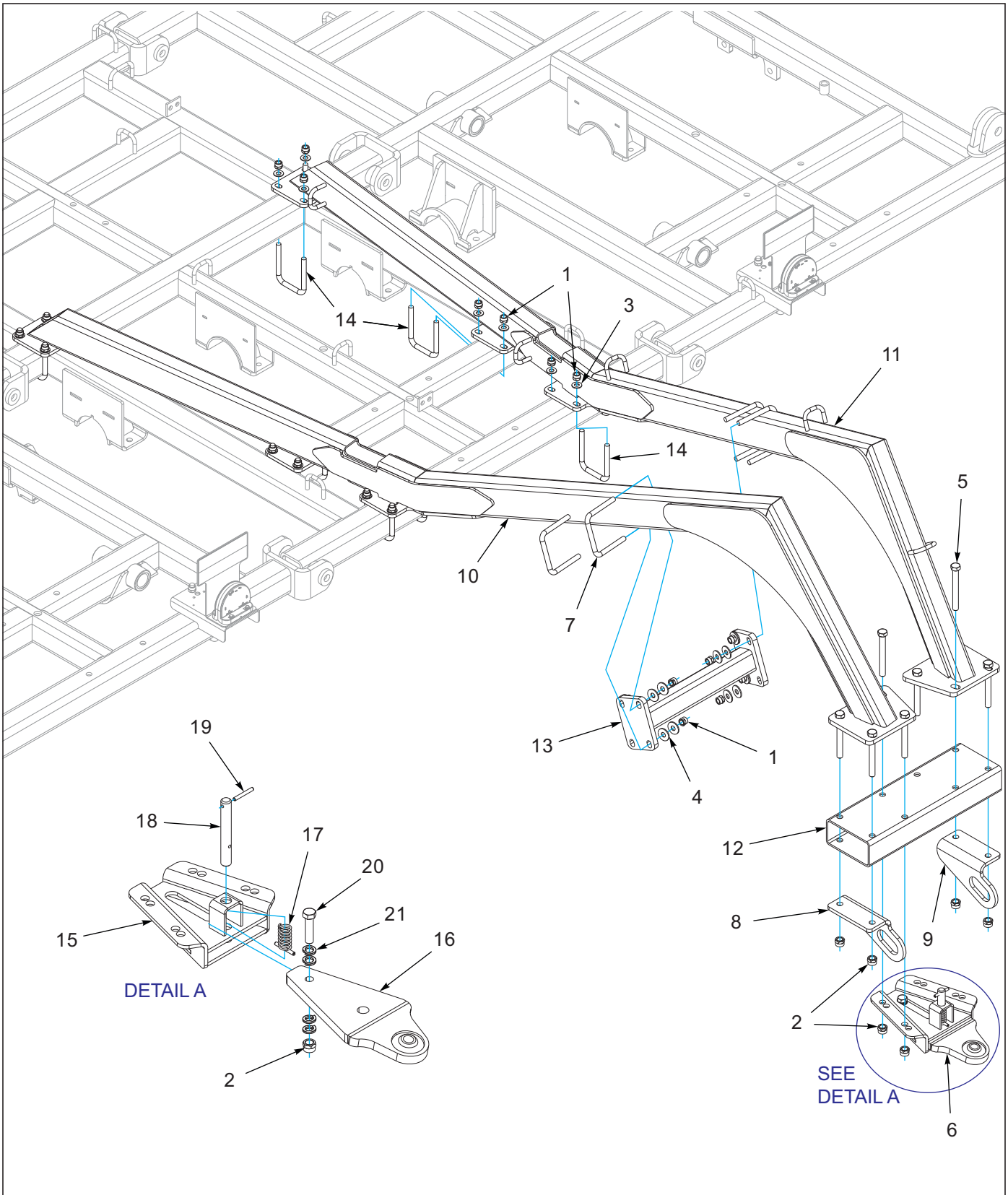


Figure 1-75: 1700 Rear Tow Hitch Assembly

1700 Rear Tow Hitch Assembly

ITEM	PART NO.	DESCRIPTION	QTY.
--	208790	REAR TOW HITCH ASSY, 1790	
1	1-512-010005-13	NUT,HEX SLFLKG GRB 5/8-11	32
2	1-512-010005-15	NUT,HEX,SLFLKG GRB 3/4-10	9
3	1-861-010032-18	WASHER, FLAT 5/8 N ZP/CD	24
4	1-861-010032-19	WASHER, FLAT 5/8 W ZP/CD	15
5	100855	SCREW, HHCS,3/4-10X6-1/2 GR5	8
6	168767	HITCH ASSY REAR TOW (INCLUDES ITEMS 2, 15, 16, 17, 18, 19, 21)	1
7	176598	U-BOLT 5/8X5-11/16X5-1/2, 21)	4
8	202311	PLATE, REAR TOW HITCH, LH	1
9	202312	PLATE, REAR TOW HITCH, RH	1
10	208791	WLDMT, REAR TOW HITCH, LH	1
11	208792	WLDMT, REAR TOW HITCH, RH	1
12	208802	RECT TUBE, REAR TOW HITCH	1
13	208804	WLDMT, REAR TOW BRACE	1
14	6-102-010009	U-BOLT RIGID GA WHEEL	12
15	168768	MOUNT WLDMT REAR TOW HITCH	1
16	168771	HITCH WLDMT REAR TOW	1
17	162191	SPRING, COMP 1.218 X 2.5	1
18	168773	PIN REAR TOW HITCH	1
19	1-647-010004240	PIN,SPRING,SLOTTED,5/16X2-1/2	2
20	1-654-010061-09	SCREW HX CP 3/4-10UNCX3 GR5	1
21	1-861-010034-17	WASHER,LKG,HLCL SPR,3/4	4

ILLUSTRATED PARTS LIST

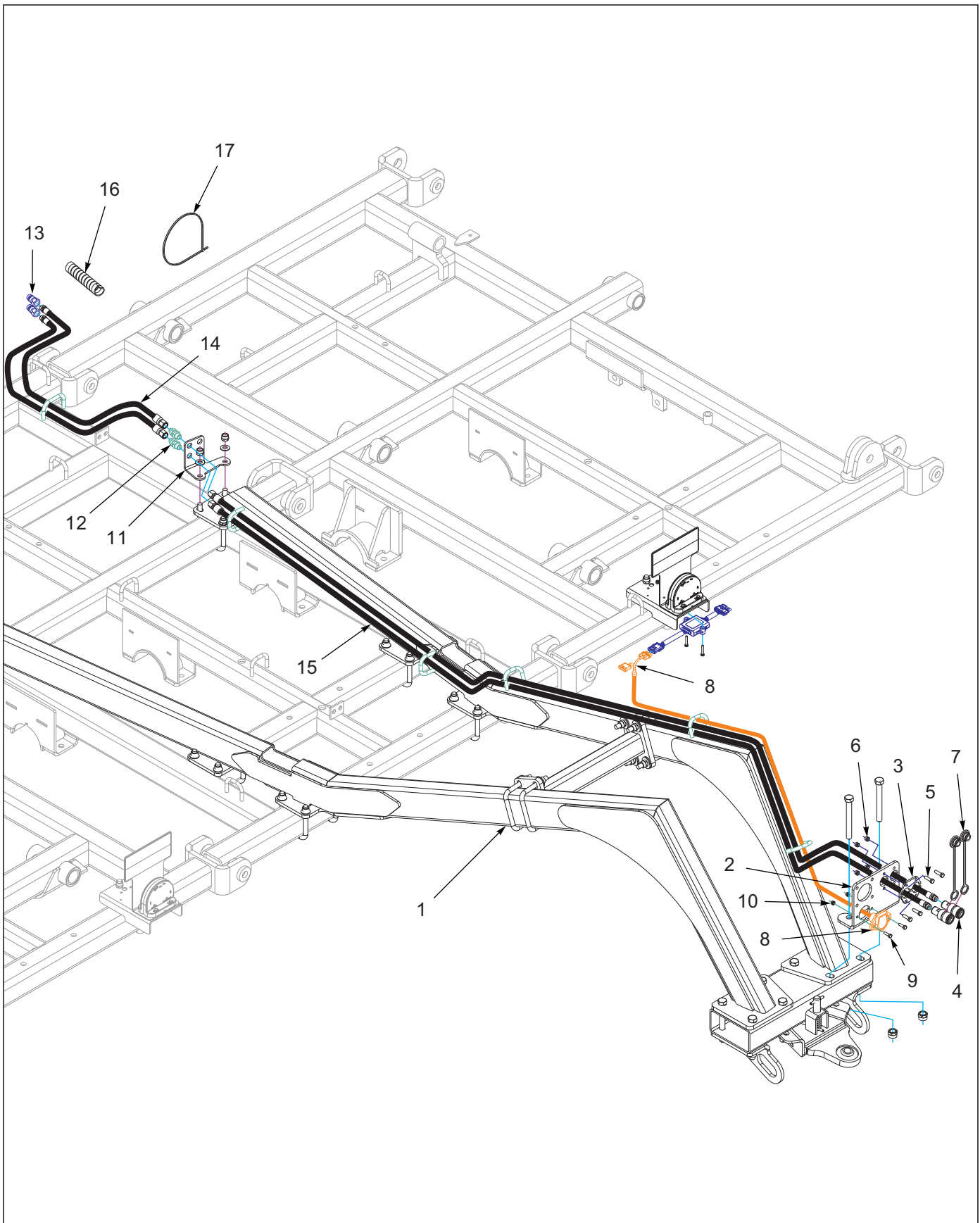


Figure 1-76: 1700 Rear Tow Hitch Hydraulic Assembly

1700 Rear Tow Hitch Hydraulic Assembly

ITEM	PART NO.	DESCRIPTION	QTY.
--	234398	HYDRAULIC RTH ASSY,1700 SERIES	
1	208790	REAR TOW HITCH ASSY, 1790 (SEE PAGE 1-141)	1
2	234400	BRACKET, RTH COUPLER MNT	1
3	212826	MOUNT, COUPLERS	2
4	142668	COUPLER FEMALE 3/4-16 O-RING	2
5	1-654-010051-06	SCREW,HEX CAP 3/8-16UNCX1-1/4	4
6	1-512-010005-05	NUT, HEX, SLFLKG GRB 3/8-16	4
7	142669	PLUG, COUPLER DUST	2
8	143871	HARNESS, TANDEM ADAPTER	1
9	1-654-010049-05	SCREW HX CP 5/16-18UNCX1 GR5	2
10	1-512-010005-03	NUT HEX SLFLKG GRB 5/16-18	2
11	234399	BRACKET, BULKHEAD FITTING	1
12	102-0322	37 FLARE BULKHEAD/37 FLARE	2
13	141828	COUPLER,MALE 3/4-16 O-RING	2
14	147588	HOSE ASY3/8X276 #8JICX#8 O/R	2
15	141887	HOSE ASSY 3/8X168 #8JICX#8OR	2
16	155530	HOSE WRAP, BLACK 1" ID X 8"	1
17	105874	TIE,STRAP PLSTC 21.5-24X.301	15

ILLUSTRATED PARTS LIST

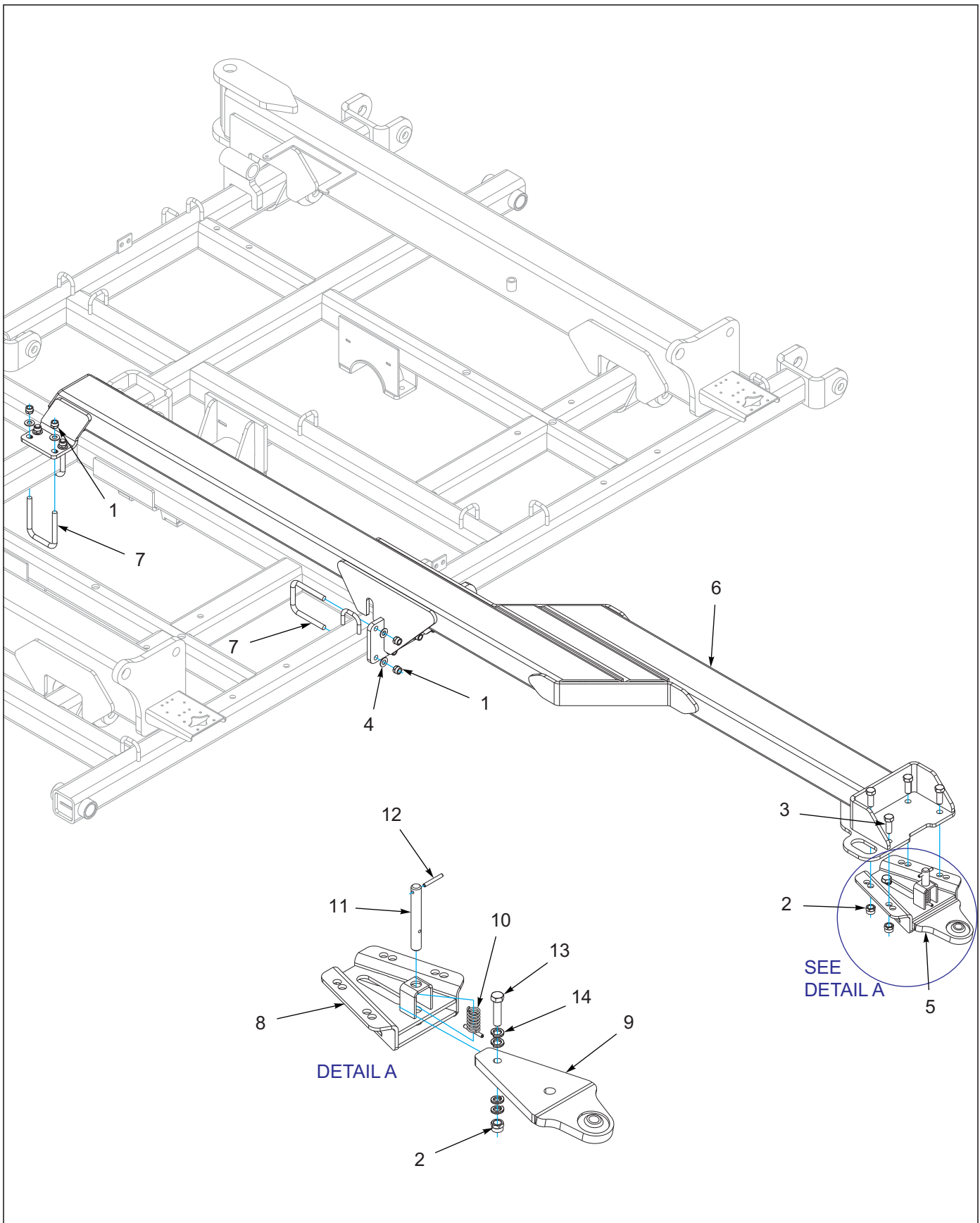


Figure 1-77: 1760 Rear Tow Hitch Assembly

1760 Rear Tow Hitch Assembly

ITEM	PART NO.	DESCRIPTION	QTY.
--	222091	NON-HYDRAULIC RTH ASSY, 1760	
1	1-512-010005-13	NUT,HEX SLFLKG GRB 5/8-11	16
2	1-512-010005-15	NUT,HEX,SLFLKG GRB 3/4-10	5
3	1-654-010061-05	SCREW,HHC,3/4-10UNCX2,GR5,ZP	4
4	1-861-010032-18	WASHER, FLAT 5/8 N ZP/CD	16
5	166767	WINCH, TRIM PLATE, INSTALL (INCLUDES ITEMS 2, 8, 9, 10, 11, 12, 13, 14)	1
6	222092	WLDMT, REAR TOW HITCH, 1760	1
7	6-102-010009	U-BOLT RIGID GA WHEEL	8
8	168768	MOUNT WLDMT REAR TOW HITCH	1
9	168771	HITCH WLDMT REAR TOW	1
10	162191	SPRING, COMP 1.218 X 2.5	1
11	168773	PIN REAR TOW HITCH	1
12	1-647-010004240	PIN,SPRING,SLOTTED,5/16X2-1/2	2
13	1-654-010061-09	SCREW HX CP 3/4-10UNCX3 GR5	1
14	1-861-010034-17	WASHER,LKG,HLCL SPR,3/4	4

ILLUSTRATED PARTS LIST

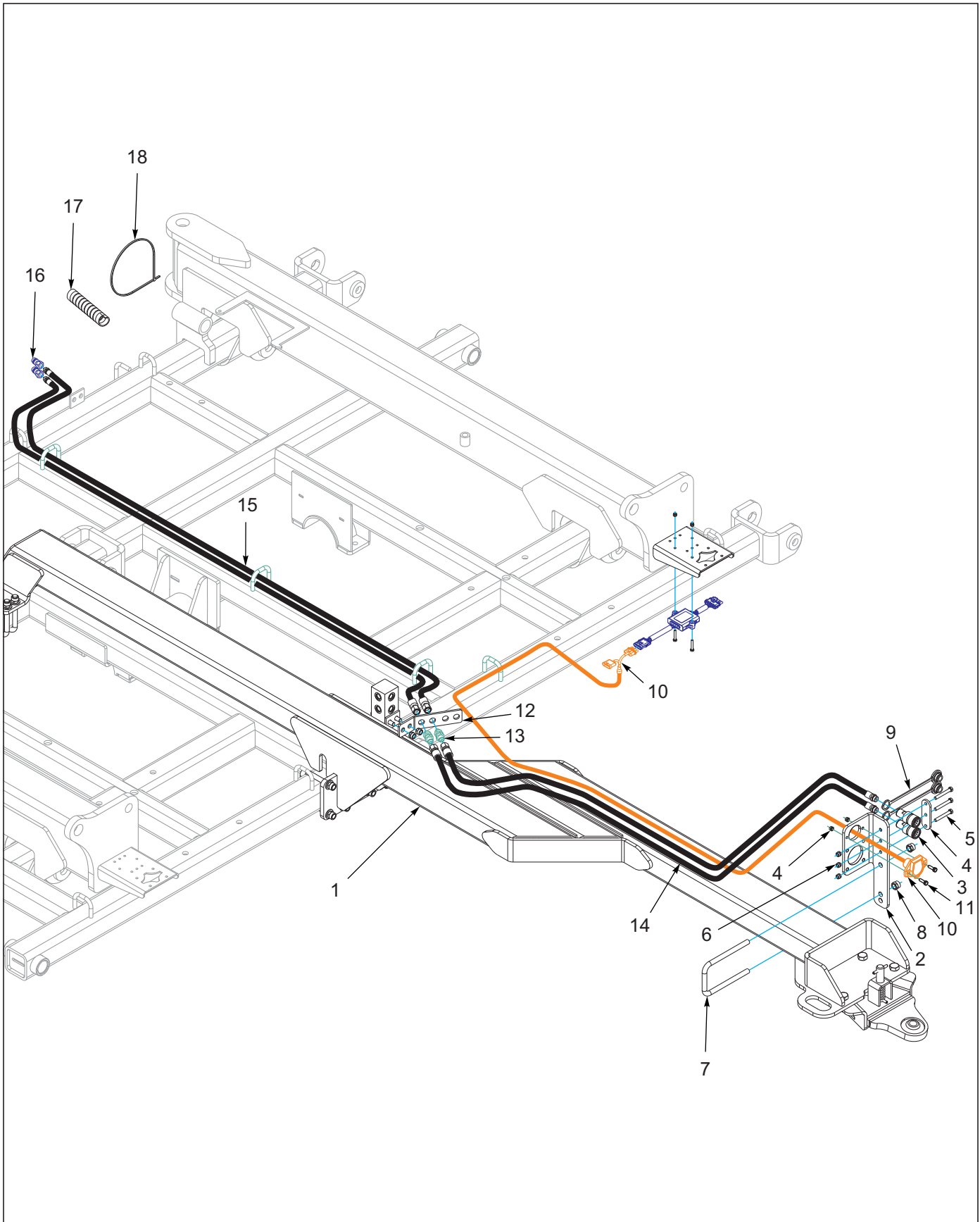


Figure 1-78: 1760 Rear Tow Hitch Hydraulic Assembly

1760 Rear Tow Hitch Hydraulic Assembly

ITEM	PART NO.	DESCRIPTION	QTY.
--	222105	HYDRAULIC RTH ASSY, 1760 (SEE PAGE 1-145)	
1	222091	NON-HYDRAULIC RTH ASSY, 1760	1
2	222106	BRACKET, RTH COUPLER MNT	1
3	142668	COUPLER FEMALE 3/4-16 O-RING	2
4	142671	PLATE, COUPLER	1
5	1-654-010051-12	SCREW,HEX CAP,3/8-16UNCX2-3/4	3
6	1-512-010005-05	NUT, HEX, SLFLKG GRB 3/8-16	3
7	2-102-010037	U-BOLT CENTER SCRAPER	3
8	1-512-010005-13	NUT,HEX SLFLKG GRB 5/8-11	2
9	142669	PLUG, COUPLER DUST	2
10	143871	HARNESS, TANDEM ADAPTER	1
11	1-654-010049-05	SCREW HX CP 5/16-18UNCX1 GR5	2
12	222107	BRACKET, BULKHEAD FITTING	1
13	102-0322	37 FLARE BULKHEAD/37 FLARE	2
14	141878	HOSE ASSY 3/8X90 #8JICX#8OR	2
15	141888	HOSE ASSY 3/8X320 #8JICX#8OR	2
16	141828	COUPLER,MALE 3/4-16 O-RING	2
17	155530	HOSE WRAP, BLACK 1" ID X 8"	1
18	105874	TIE,STRAP PLSTC 21.5-24X.301	15

Numerics

100000328	1-127, 1-128	116100	1-25, 1-27
100000362	1-126	116432	1-97
1-007-010025 .	1-89, 1-91, 1-97, 1-99, 1-101, 1-103, 1-105, 1-107, 1-109, 1-111, 1-113, 1-115, 1-117, 1-119	116433	1-105, 1-107, 1-109, 1-111
100808	1-3, 1-11, 1-17	116435	1-115
100825	1-3, 1-11, 1-17, 1-25, 1-27	116436	1-105
100830	1-69, 1-71	116490	1-97, 1-99, 1-101, 1-103, 1-105
100855	1-141	116491 ...	1-99, 1-101, 1-103, 1-107, 1-109, 1-111
101385	1-21, 1-23, 1-25, 1-27, 1-84, 1-87	117916	1-105
101519	1-3	122917	1-19
102-0322	1-143, 1-147	124510	1-105, 1-107, 1-109, 1-111
102-1130	1-113, 1-115, 1-117, 1-119	125566	1-120, 1-121
102351	1-3, 1-11, 1-17	127806	1-119
102498	1-45, 1-47, 1-49, 1-75	1-298-010001-1	1-29, 1-30, 1-75
102600 .	1-3, 1-7, 1-11, 1-17, 1-33, 1-35, 1-37, 1-39, 1-41, 1-43, 1-45, 1-47	135912	1-124
102601	1-45, 1-49	137304	1-124
102604	1-45, 1-47, 1-75	137598	1-107, 1-109, 1-111
103-0805	1-29	137600	1-119
103153	1-124	137601	1-113, 1-115, 1-117, 1-119
103841	1-21, 1-23	137702	1-124
104358	1-11, 1-17, 1-21	139213	1-119
105874	1-133, 1-135, 1-143, 1-147	1-397-010301112	1-107, 1-109, 1-111
1-065-010011	1-93, 1-95	140470 ...	1-3, 1-7, 1-35, 1-37, 1-39, 1-105, 1-107, 1-109, 1-111, 1-123
1-076-010007	1-75	140471	1-33, 1-37, 1-39, 1-43, 1-105, 1-107, 1-109, 1-111, 1-122
1-076-010010	1-75	140519 .	1-7, 1-9, 1-11, 1-15, 1-17, 1-33, 1-35, 1-37, 1-39, 1-41, 1-43
108628	1-19	140548	1-51
1-1/2SLW	1-3, 1-11, 1-17	140599	1-3, 1-11, 1-17, 1-33, 1-35, 1-37, 1-39, 1-41, 1-43
110-0344	1-75	1406044	1-105
111789 ..	1-120, 1-121, 1-122, 1-123, 1-124, 1-126, 1-127, 1-128, 1-129	140647	1-21, 1-23, 1-31
111871	1-122	1408088	1-120
111962	1-45, 1-47	141109	1-21, 1-23
114911	1-69, 1-71	141209 .	1-3, 1-7, 1-11, 1-17, 1-33, 1-35, 1-37, 1-39, 1-41, 1-43
		141228	1-133, 1-135

TABLE OF CONTENTS

INDEX

141234	1-3, 1-7, 1-9, 1-11, 1-15, 1-17	144048	1-19
141246	1-21, 1-23	144115	1-7, 1-11, 1-17, 1-21, 1-23, 1-25, 1-27, 1-33, 1-35, 1-37, 1-39, 1-41, 1-43
141247	1-21, 1-23	144193	1-139
141249	1-21, 1-23	144264	1-81, 1-83, 1-87
141250	1-31	144342	1-115, 1-119
141259	1-139	147072	1-61, 1-65, 1-125
141260	1-139	147376	1-127
141266	1-7, 1-11, 1-17, 1-33, 1-35, 1-37, 1-39, 1-41, 1-43	147585	1-99, 1-101, 1-103, 1-115, 1-117, 1-119
141274	1-21	147588	1-143
141301	1-122, 1-123	147755	1-124, 1-127, 1-128
141597	1-139	148084	1-121
141777	1-7, 1-9, 1-15	148085	1-121
141807	1-21, 1-23	148087	1-120, 1-121
141826	1-84, 1-87, 1-97, 1-99, 1-101, 1-103, 1-113, 1-115, 1-117, 1-119	148088	1-121
141827	1-117	148092	1-120
141828	1-97, 1-99, 1-101, 1-103, 1-105, 1-107, 1-109, 1-111, 1-113, 1-115, 1-117, 1-119, 1-143, 1-147	148337	1-93, 1-95, 1-139
141878	1-147	1-510-010001	1-3, 1-7, 1-11, 1-17, 1-33, 1-35, 1-37, 1-39, 1-41, 1-43, 1-89, 1-91
141882	1-105	1-511-010001-05	1-75, 1-81, 1-83, 1-87
141887	1-143	1-512-010005-01	1-21, 1-23, 1-133, 1-135
141888	1-97, 1-113, 1-147	1-512-010005-03	1-3, 1-12, 1-18, 1-19, 1-143
142103	1-122	1-512-010005-05	1-4, 1-12, 1-18, 1-21, 1-23, 1-143, 1-147
142109	1-123	1-512-010005-09	1-3, 1-7, 1-9, 1-11, 1-15, 1-17, 1-21, 1-23, 1-33, 1-35, 1-37, 1-39, 1-41, 1-43, 1-57, 1-59, 1-61, 1-63, 1-65, 1-67, 1-75, 1-89, 1-91, 1-93, 1-95, 1-135
142110	1-122, 1-123	1-512-010005-13	1-3, 1-7, 1-9, 1-11, 1-15, 1-17, 1-57, 1-59, 1-61, 1-63, 1-65, 1-67, 1-83, 1-87, 1-93, 1-95, 1-133, 1-135, 1-141, 1-145, 1-147
142111	1-123	1-512-010005-15	1-3, 1-7, 1-9, 1-11, 1-15, 1-17, 1-33, 1-35, 1-37, 1-39, 1-41, 1-43, 1-57, 1-59, 1-61, 1-65, 1-69, 1-71, 1-73, 1-77, 1-79, 1-81, 1-83, 1-87, 1-141, 1-145
142112	1-120, 1-122, 1-123	1-512-010005-19	1-7, 1-11, 1-17, 1-21, 1-23, 1-25, 1-27, 1-33, 1-35, 1-37, 1-39, 1-41, 1-43, 1-69, 1-71, 1-81, 1-83, 1-87
142114	1-123	1-512-010007-07	1-23
142116	1-122	1-512-010007-12	1-81, 1-83, 1-87, 1-89, 1-91
142119	1-127, 1-128	1-512-010007-14	1-7, 1-9, 1-15
142194	1-31	1-512-010007-16	1-3, 1-11, 1-17, 1-25, 1-27
142668	1-143, 1-147		
142669	1-143, 1-147		
142671	1-147		
142753	1-21, 1-23		
143871	1-143, 1-147		
143994	1-120, 1-121, 1-122, 1-123		

<p>151539 1-139</p> <p>1-516-010001-20 1-45, 1-47, 1-49</p> <p>1-516-010001-27 1-93, 1-95</p> <p>153620 1-117, 1-119</p> <p>153696 1-25, 1-27</p> <p>153842 1-105</p> <p>154096 1-129</p> <p>154105 1-129</p> <p>155528 1-105, 1-107, 1-109, 1-111</p> <p>155529 1-113, 1-115, 1-117, 1-119</p> <p>155530 1-143, 1-147</p> <p>1-557-010013 1-57, 1-59, 1-61, 1-63, 1-65, 1-67, 1-81</p> <p>1-557-010362-51 1-45, 1-47, 1-49</p> <p>1-557-010403 1-11, 1-17, 1-21</p> <p>155716 . 1-3, 1-7, 1-11, 1-17, 1-29, 1-33, 1-35, 1-37, 1-39, 1-41, 1-43</p> <p>155717 1-29</p> <p>155868 1-129</p> <p>156010 1-21, 1-23, 1-139</p> <p>156950 1-25, 1-27</p> <p>156955 1-59, 1-61</p> <p>156972 . 1-3, 1-7, 1-11, 1-17, 1-33, 1-35, 1-37, 1-39, 1-41, 1-43, 1-45</p> <p>156973 1-45, 1-47</p> <p>156974 1-45</p> <p>156979 1-45, 1-47</p> <p>1-573-010006 1-21, 1-23, 1-139</p> <p>158299 1-57, 1-59, 1-63, 1-65, 1-67</p> <p>159569 1-119</p> <p>159955 1-33, 1-35, 1-37, 1-39, 1-41, 1-43</p> <p>159970 1-45, 1-47</p> <p>161550 1-30</p> <p>162191 1-141, 1-145</p> <p>1-630-010021-03 1-19</p> <p>164124 1-3, 1-12, 1-18</p> <p>164138 1-135</p> <p>164139 1-133</p> <p>164140 1-135</p>	<p>164142 1-133</p> <p>164147 1-3, 1-9, 1-15</p> <p>164172 1-39, 1-41, 1-43, 1-105, 1-109, 1-111, 1-121</p> <p>164245 1-121</p> <p>164309 1-109</p> <p>164533 1-21, 1-23</p> <p>164539 1-21, 1-23</p> <p>1-647-010004217 1-11, 1-17, 1-57, 1-59, 1-61, 1-63, 1-65, 1-67</p> <p>1-647-010004240 ... 1-59, 1-61, 1-65, 1-141, 1-145</p> <p>1-647-010004255 1-93, 1-95</p> <p>1-647-010004257 1-93, 1-95</p> <p>165236 1-53</p> <p>165257 1-3, 1-12, 1-18</p> <p>165258 1-19</p> <p>165259 1-19</p> <p>165260 1-19</p> <p>165265 1-3, 1-12, 1-18</p> <p>165287 1-113, 1-115</p> <p>1-654-010047-06 1-21, 1-23, 1-133, 1-135</p> <p>1-654-010047-07 1-133, 1-135</p> <p>1-654-010047-08 1-133, 1-135</p> <p>1-654-010049-01 1-75</p> <p>1-654-010049-05 1-143, 1-147</p> <p>1-654-010051-03 1-28</p> <p>1-654-010051-06 1-4, 1-12, 1-18, 1-143</p> <p>1-654-010051-07 ... 1-3, 1-7, 1-11, 1-17, 1-33, 1-35, 1-37, 1-39, 1-41, 1-43, 1-89, 1-91</p> <p>1-654-010051-12 1-147</p> <p>1-654-010051-13 1-23</p> <p>1-654-010055-03 1-75</p> <p>1-654-010055-10 1-21, 1-23</p> <p>1-654-010055-11 ... 1-7, 1-9, 1-15, 1-35, 1-37, 1-61, 1-89, 1-91</p> <p>1-654-010055-13 1-89, 1-91</p> <p>1-654-010055-14 ... 1-3, 1-7, 1-11, 1-17, 1-33, 1-35, 1-37, 1-39, 1-41, 1-43, 1-65</p> <p>1-654-010055-16 1-18</p> <p>1-654-010055-17 1-65, 1-67</p>
---	---

TABLE OF CONTENTS

INDEX

1-654-010055-18	1-57, 1-59, 1-63	174435	1-133, 1-135
1-654-010059-05	1-3, 1-7, 1-9, 1-11, 1-15, 1-17	174436	1-133, 1-135
1-654-010059-07	1-3, 1-12, 1-18	174437	1-133, 1-135
1-654-010061-03	1-89, 1-91	174438	1-133, 1-135
1-654-010061-05	1-3, 1-7, 1-9, 1-11, 1-15, 1-17, 1-33, 1-35, 1-37, 1-39, 1-41, 1-43, 1-145	174439	1-133, 1-135
1-654-010061-09	1-59, 1-61, 1-65, 1-141, 1-145	174708	1-19
1-654-010061-15	1-77, 1-79, 1-81, 1-83, 1-87	174709	1-19
1-654-010061-16	1-81, 1-83, 1-87	174732	1-81, 1-83, 1-87
1-654-010061-19	1-21, 1-23, 1-69, 1-71	176598	1-65, 1-141
1-654-010065-13	1-83, 1-87	176846	1-75
1-654-010070-02	1-93, 1-95	177030	1-25, 1-30
1-654-010076-24	1-3, 1-11, 1-17	177032	1-27, 1-30
1-654-010080-2	1-75, 1-81, 1-83, 1-87	179691	1-3, 1-7, 1-9, 1-11, 1-15, 1-17
1-654-010123-01	1-25, 1-27	180020	1-105
166171	1-113	180483	1-126
166283	1-105	181799	1-107, 1-109, 1-111, 1-113
166717	1-19	184708	1-3, 1-7, 1-33, 1-41, 1-51
166767	1-145	184784	1-11, 1-17, 1-107, 1-109, 1-111, 1-124
167556	1-107	184784M	1-125
167617	1-3, 1-7, 1-11, 1-17	1-861-010005	1-45, 1-47, 1-49
168767	1-141	1-861-010032-07	1-21, 1-23
168768	1-141, 1-145	1-861-010032-09	1-75
168771	1-141, 1-145	1-861-010032-11	1-21, 1-23, 1-28
168773	1-141, 1-145	1-861-010032-18	1-141, 1-145
168859	1-45, 1-47	1-861-010032-19	1-3, 1-9, 1-15, 1-141
169549	1-126	1-861-010032-21	1-59, 1-61
169550	1-126	1-861-010032-24	1-25, 1-27, 1-81, 1-83, 1-87
170302	1-49	1-861-010032-29	1-59, 1-61, 1-65
170310	1-49	1-861-010032-32	1-59, 1-61, 1-65, 1-93, 1-95
171010	1-9, 1-11, 1-17, 1-35, 1-37, 1-39, 1-43, 1-53	1-861-010034-11	1-28
171011	1-53	1-861-010034-17	1-81, 1-83, 1-87, 1-89, 1-91, 1-141, 1-145
171107	1-49	1-861-010034-21	1-7, 1-9, 1-15
171556	1-3, 1-12, 1-18	189451	1-25, 1-27, 1-30
171760	1-99, 1-101, 1-103	189453	1-30
171773	1-18, 1-49	189454	1-30
172581	1-25, 1-27	189467	1-30
172973	1-97, 1-99, 1-101, 1-103	189468	1-30

192890 . 1-3, 1-7, 1-33, 1-35, 1-37, 1-39, 1-41, 1-43, 1-83, 1-87	203595 1-107
193754 1-21, 1-23	204385 1-51
193844 1-11, 1-17	204386 1-55
195647 1-99, 1-101, 1-103	205434 1-23
198296 1-119	205440 1-9, 1-15
201311 1-109	205441 1-11
201333 1-107, 1-109, 1-111	205442 1-11
201347 1-65, 1-119, 1-128	205443 1-33, 1-35, 1-37, 1-39
202257 1-69, 1-71	205444 1-41, 1-43
202273 1-43, 1-111, 1-120	205445 1-33, 1-35, 1-37, 1-39
202277 1-7, 1-11, 1-17, 1-33, 1-35, 1-37, 1-39, 1-41, 1-43	205446 1-41, 1-43
202279 1-21, 1-23	205451 1-69, 1-71
202281 1-11	205461 1-69, 1-71
202282 1-11	205465 1-23
202283 1-37	205467 1-73, 1-75
202284 1-39	205468 1-75
202285 1-43	205469 1-75
202286 1-37	205470 1-27
202287 1-39	205471 1-27
202288 1-43	205472 1-27
202289 1-9	205480 1-59, 1-63
202290 1-11	205481 1-93
202291 1-11	205482 1-93
202292 1-37	205483 1-93
202293 1-39	205484 1-93
202294 1-43	205485 1-93
202295 1-37	205486 1-95
202296 1-39	205487 1-95
202297 1-43	205488 1-95
202311 1-141	205489 1-95
202312 1-141	205490 1-95
202702-8-8S . 1-89, 1-91, 1-99, 1-101, 1-103, 1-105, 1-107, 1-109, 1-111, 1-113, 1-115, 1-117, 1-119	205491 1-77, 1-79, 1-83, 1-87, 1-93
203003-8-8S . . . 1-89, 1-91, 1-97, 1-99, 1-101, 1-103	205492 1-77, 1-79, 1-83, 1-87, 1-93
203016 1-15, 1-17, 1-55	205493 1-77, 1-79, 1-83, 1-87, 1-93
203102-8-8S 1-113, 1-115, 1-117, 1-119	205494 1-77, 1-79, 1-83, 1-87, 1-95
203467 . 1-3, 1-12, 1-18, 1-105, 1-107, 1-109, 1-111	205495 1-77, 1-79, 1-83, 1-87, 1-95
	205496 1-77, 1-79, 1-83, 1-87, 1-95
	205497 1-77

TABLE OF CONTENTS

INDEX

205498	1-77, 1-87, 1-91	207653	1-61
2062-10-8S	1-105, 1-107, 1-109, 1-111	207657	1-61
2062-8-8S	1-84, 1-87, 1-89, 1-91, 1-97, 1-99, 1-101, 1-103, 1-105, 1-107, 1-109, 1-111, 1-113, 1-115, 1-117, 1-119	207658	1-59, 1-61, 1-65
206785	1-23	207659	1-61
206786	1-23	207660	1-59, 1-61, 1-65
206787	1-93, 1-95	207661	1-59, 1-61
206790	1-93, 1-95	207664	1-69, 1-71
206791	1-93, 1-95	207665	1-69, 1-71
206792	1-93, 1-95	207666	1-69, 1-71
206793	1-93, 1-95	207667	1-69, 1-71
206794	1-93, 1-95	207674	1-75
206795	1-93, 1-95	207675	1-75
206796	1-93, 1-95	207681	1-25, 1-27, 1-29
206934	1-21, 1-23	207682	1-29
206962	1-139	207683	1-29
206963	1-139	207684	1-29
206964	1-139	207688	1-21, 1-23
206965	1-139	207691	1-25, 1-27
206966	1-77, 1-79, 1-81, 1-83, 1-87	207693	1-81, 1-83, 1-87
206967	1-77, 1-79, 1-81, 1-83, 1-87	207694	1-81
206968	1-77, 1-79, 1-81, 1-83, 1-87	207695	1-81
206975	1-81, 1-83, 1-87	207696	1-57, 1-59, 1-63, 1-65, 1-67
206981	1-57, 1-59, 1-63, 1-67, 1-113, 1-115, 1-117, 1-119, 1-127	207697	1-59, 1-63
206982	1-81	207698	1-63
206983	1-81	207699	1-61
206984	1-81, 1-83, 1-87	208213	1-3, 1-9
207025	1-61	208240	1-55
207026	1-59, 1-61	208435	1-124
207625	1-23	208479	1-99, 1-101, 1-103
207626	1-3, 1-11, 1-17	208504	1-128
207635	1-3, 1-11, 1-17	208727	1-57, 1-59, 1-63, 1-65, 1-67
207639	1-3, 1-11, 1-17	208728	1-57, 1-59, 1-63, 1-65, 1-67
207640	1-11, 1-17	208729	1-57, 1-59, 1-63, 1-65, 1-67
207646	1-59, 1-63, 1-65	208730	1-57, 1-59, 1-63, 1-65, 1-67
207647	1-57, 1-59, 1-61, 1-63, 1-65, 1-67	208745	1-61
207652	1-61	208750	1-7, 1-9, 1-15, 1-28
		208751	1-28
		208752	1-28

TABLE OF CONTENTS

INDEX

208758	1-28	209450	1-59
208759	1-135	209452	1-59
208763	1-135	209453	1-57, 1-59
208765	1-133, 1-135	209458	1-135
208766	1-135	209459	1-135
208767	1-135	209460	1-135
208768	1-9	209464	1-3
208773	1-83, 1-87, 1-97, 1-99, 1-101, 1-103, 1-129	209465	1-7
208774	1-59, 1-61	209466	1-33
208775	1-21, 1-23	209467	1-41
208779	1-61, 1-117, 1-126	209468	1-33
208780	1-21, 1-23	209469	1-41
208781	1-83, 1-87	209470	1-21
208782	1-83, 1-87	209471	1-21
208786	1-83, 1-87	209472	1-25
208787	1-83, 1-87	209473	1-25
208788	1-83, 1-87	209474	1-3
208790	1-141, 1-143	209475	1-7
208791	1-141	209476	1-41
208792	1-141	209477	1-41
208802	1-141	209478	1-21
208804	1-141	209479	1-21
208808	1-21, 1-23	209480	1-3
208809	1-57, 1-59, 1-63, 1-65, 1-67	209481	1-7
208811	1-107, 1-109, 1-111	209482	1-25
208812	1-117	209483	1-77
208813	1-117	209484	1-77, 1-83, 1-89
209432	1-12, 1-18	209486	1-57
209436	1-117	209494	1-21
209438	1-9	209495	1-33
209439	1-11	209496	1-33
209440	1-9, 1-11	2-102-010037	1-147
209441	1-39	211343	1-99, 1-101, 1-103
209442	1-43	211353	1-57
209443	1-39	211357	1-57
209444	1-43	211366	1-83, 1-87
209445	1-77	211367	1-89, 1-91
209446	1-77, 1-83, 1-89	211411	1-133

TABLE OF CONTENTS

INDEX

211412	1-133	214566	1-65
211413	1-133	214567	1-65
211416	1-133	214568	1-65
211418	1-57, 1-67	214569	1-23
211419	1-77, 1-83, 1-93	214570	1-65
211420	1-77, 1-83, 1-95	214590	1-139
211421	1-93, 1-95	214591	1-127
211422	1-3	214592	1-129
211427	1-3, 1-7	214615	1-12, 1-18, 1-19
211432	1-15	214616	1-19
211433	1-17	214623	1-89, 1-91
211434	1-17	214629	1-83, 1-89
211435	1-37	214630	1-83, 1-89
211437	1-39	214631	1-87, 1-91
211438	1-43	214632	1-87, 1-91
211439	1-37	2-150-010174	1-11, 1-17, 1-63, 1-67
211441	1-39	216066	1-65
211442	1-43	216072	1-65
211443	1-79	216073	1-65
211444	1-79, 1-87, 1-91	216075	1-65
212826	1-143	216095	1-65
212840	1-17, 1-49	216096	1-65
212841	1-49	216097	1-65
214532	1-15	216102	1-67
214533	1-17	216104	1-135
214534	1-17	216105	1-135
214535	1-35, 1-37	216106	1-135
214537	1-39	216112	1-111
214538	1-43	216113	1-111
214539	1-35, 1-37	216114	1-15
214541	1-39	216115	1-15
214542	1-43	216119	1-120
214543	1-17	216127	1-3, 1-19
214544	1-17	216128	1-19
214562	1-67	2-181-010001	1-3, 1-7, 1-11, 1-17, 1-21, 1-23, 1-33, 1-35, 1-37, 1-39, 1-41, 1-43, 1-89, 1-91
214563	1-65	218641	1-124
214564	1-65	218642	1-120
214565	1-65		

<p>218648 1-126</p> <p>218649 1-128</p> <p>221270 1-53</p> <p>221272 . 1-9, 1-11, 1-17, 1-35, 1-37, 1-39, 1-43, 1-53</p> <p>222091 1-145, 1-147</p> <p>222092 1-145</p> <p>222105 1-147</p> <p>222106 1-147</p> <p>222107 1-147</p> <p>223435 1-47</p> <p>223437 1-47</p> <p>223438 1-47</p> <p>223439 1-47</p> <p>223440 . 1-3, 1-7, 1-11, 1-17, 1-33, 1-35, 1-37, 1-39, 1-41, 1-43, 1-47</p> <p>224589 1-139</p> <p>224590 1-133, 1-135</p> <p>225548 1-71</p> <p>225549 1-71</p> <p>226607 1-125</p> <p>226614 1-125</p> <p>226615 1-125</p> <p>226616 1-125</p> <p>229539 1-117, 1-119</p> <p>229552 1-125</p> <p>229553 1-125</p> <p>232187 1-139</p> <p>234398 1-143</p> <p>234399 1-143</p> <p>234400 1-143</p> <p>234401 1-139</p> <p>2-368-010287 1-21, 1-23, 1-133, 1-135</p> <p>2-474-010022 . 1-7, 1-9, 1-15, 1-35, 1-37, 1-89, 1-91, 1-97, 1-99, 1-101, 1-103, 1-105, 1-107, 1-109, 1-111, 1-113, 1-115, 1-117, 1-119</p> <p>2-557-010006 1-57, 1-59, 1-61, 1-65</p> <p>2-573-010037 1-139</p> <p>2-573-010198 1-139</p> <p>29SFFL 5811 1-3, 1-9, 1-15</p>	<p>3/4-16HSN 1-75</p> <p>3J397 1-75</p> <p>3J562 1-135</p> <p>3K613 1-75</p> <p>4001060 1-45, 1-47</p> <p>5000 1-45, 1-47</p> <p>500171 1-31</p> <p>528933 1-133, 1-135, 1-139</p> <p>528934 1-133, 1-135, 1-139</p> <p>528938 1-133, 1-135, 1-139</p> <p>5D979 1-75</p> <p>6-102-010009 1-3, 1-9, 1-15, 1-57, 1-59, 1-61, 1-63, 1-65, 1-67, 1-133, 1-141, 1-145</p> <p>622-3511-008 1-69, 1-71</p> <p>622-3511-010 1-71</p> <p>6D337 1-75</p> <p>70239854 1-21, 1-23</p> <p>70260977 1-133, 1-135, 1-139</p> <p>71508979 1-117</p> <p>71508987 1-99, 1-101, 1-103</p> <p>71508988 1-97, 1-99, 1-101, 1-103, 1-119</p> <p>8-102-010012 1-83, 1-87, 1-93, 1-95</p> <p>8-573-010084 1-139</p> <p>9K453 1-75</p> <p>9K454 1-75</p> <p style="text-align: center;">T</p> <hr/> <p>TR575 1-51, 1-53, 1-55</p> <p style="text-align: center;">W</p> <hr/> <p>W908409-4 1-57, 1-59, 1-61, 1-65, 1-73</p>
---	---

Document Control Revision Log:

Date	Form #	Improvement(s): Description and Comments
11/09/2017	F-921-0717	Initial Release
12/26/2018	F-921-1218	Lift hydraulic depth stop updates & updated cylinders
11/13/2020	F-921 1120	Hub/spindle update, washer update to blade standard, relief update to fold hydraulics
07/27/2021	F-921-0721	Added QR code decal, added rear tow hitches, updated hose wraps and hose identification decal



Intertek

Equipment from Landoll Company, LLC is built to exacting standards ensured by ISO 9001 registration at all Landoll manufacturing facilities.

Model 1760, 1770, 1790, 1710 Blade Plow Parts Manual

Re-Order Part Number F-921-0721

LANDOLL COMPANY, LLC

1900 North Street

Marysville, Kansas 66508

(785) 562-5381

800-428-5655 ~ WWW.LANDOLL.COM



Copyright 2017. Landoll Company, LLC

“All rights reserved, including the right to reproduce this material or portions thereof in any form.”

Scan to go to www.landoll.com

