

Automatic

Low Profile Electric Mills



LPE500

Economical and versatile, low profile electric mills are the ideal all-purpose machines. Low enough to mount under discharge outlets of storage structures.

Add to its versatility by adding options. A variety of auger systems and auger base pack are available.

Choose tilting discharge augers to adapt to any angle you need. By using the next larger size motor, you can power both the mill and discharge auger with one motor.

Low Profile Mill Features

- Versatile - mount under discharge outlets or overhead
- Economical
- Heavy-duty rolls
- Auger options for discharge
- Precise roll corrugation for uniform particle size
- Fast-roll belt drive
- Set rolls with a single lever

HARCO Ag Equipment
5808 Hwy #9,
Harriston, On, N0G 1Z0
519-338-2923
sales@harcoag.ca
www.harcoag.ca

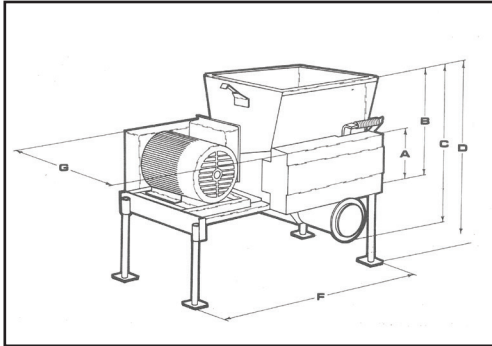
Automatic

Specifications:

LPM200

- Roll Size: 6" x 8" • Weight: 370 lbs
- Horsepower: 3-5 hp

| Roll Configuration | Dry Corn | High Moisture Corn | Soybeans | Milo | Small Grains |
|--------------------|------------|--------------------|----------|------------|--------------|
| 4 | 250 bsh/hr | 200 bsh/hr | | | |
| 6.5 | 180 bsh/hr | 150 bsh/hr | | 160 bsh/hr | 100 bsh/hr |
| 8 | 160 bsh/hr | 130 bsh/hr | | 144 bsh/hr | 90 bsh/hr |
| 10 | 140 bsh/hr | 110 bsh/hr | | 130 bsh/hr | 80 bsh/hr |



Dimensions

| Model | A | B | C | D | E | F | G |
|-------|---|----|----|----|----|----|----|
| 200 | 8 | 22 | 29 | 38 | 12 | 46 | 24 |

Specifications:

LPE500

- Roll Size: 9" x 10" • Weight: 480 lbs
- Horsepower: 5-7.5 hp

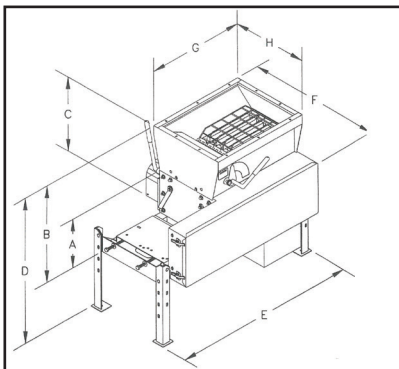
| Roll Configuration | Dry Corn | High Moisture Corn | Soybeans | Milo | Small Grains |
|--------------------|------------|--------------------|------------|------------|--------------|
| 4 | 450 bsh/hr | | | | |
| 6.5 | 330 bsh/hr | 300 bsh/hr | 260 bsh/hr | 320 bsh/hr | 200 bsh/hr |
| 8 | 260 bsh/hr | 290 bsh/hr | 230 bsh/hr | 280 bsh/hr | 180 bsh/hr |
| 10 | 250 bsh/hr | 220 bsh/hr | 200 bsh/hr | 260 bsh/hr | 160 bsh/hr |

Specifications:

LPE700

- Roll Size: 9" x 14" • Weight: 570 lbs
- Horsepower: 7.5-10 hp

| Roll Configuration | Dry Corn | High Moisture Corn | Soybeans | Milo | Small Grains |
|--------------------|------------|--------------------|------------|------------|--------------|
| 4 | 700 bsh/hr | 300 bsh/hr | | | |
| 6.5 | 520 bsh/hr | 450 bsh/hr | 420 bsh/hr | 400 bsh/hr | 300 bsh/hr |
| 8 | 450 bsh/hr | 390 bsh/hr | 380 bsh/hr | 380 bsh/hr | 270 bsh/hr |
| 10 | 330 bsh/hr | 300 bsh/hr | 270 bsh/hr | 270 bsh/hr | 240 bsh/hr |



Dimensions

| Model | A | B | C | D | E | F | H |
|-------|--------|----|----|----|--------|----|----|
| 500 | 12-1/2 | 24 | 32 | 39 | 45-1/2 | 28 | 19 |
| 700 | 12-1/2 | 24 | 32 | 39 | 45-1/2 | 32 | 23 |