



Vertical Maxx® Vertical TMR Mixers | 800 – 1,320 Cubic Feet
VT 280 & 2100 / VTC 200



THE VERTICAL ADVANTAGE

KUHN KNIGHT VERTICAL MAXX® VERTICAL MIXERS OFFER THE MOST VERSATILITY TO PROCESS AND MIX THE WIDEST VARIETY OF FEEDSTUFFS. THIS INCLUDES ROUND BALES, SQUARE BALES, BALEAGE, FORAGES, SMALL GRAINS, CONCENTRATES AND OTHER HARD-TO-HANDLE MATERIALS. IMPROVED FEED MOVEMENT PROVIDES A FAST, COMPLETE MIX FOR A FLUFFY AND PALATABLE RATION TO PUT IN FRONT OF YOUR LIVESTOCK.



QUALITY MIXING

Vertical mixers have long been known for their ability to achieve a completely uniform mix with no dead spots. Consistent processing lengths optimize rumen function and productivity. Uniform mixing and consistent processing result in a quality mix that minimizes ingredient sorting and helps ensure that the animal is getting the nutrients that it needs to excel in production.

TIME TESTED

KUHN Knight mixers have withstood the test of time and will continue to do the same for you and your operation. Combining years of experience with the latest technologies, KUHN offers an exceptional line of TMR mixers.

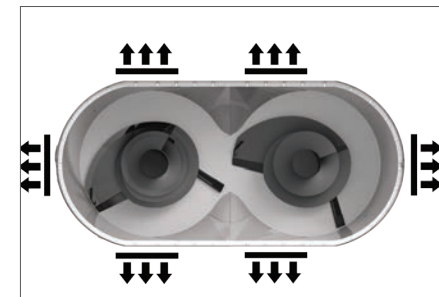
Summary

- Shared Mixer Features4-7
- Trailer Drive8-9
- Truck Drive10-11
- VT 280/2100 & VTC 200 Series12-13
- VTC Stationary Mixers14-15
- Front Discharge Options.....16-17
- Side Discharge Options18-19
- Optional Equipment.....20
- Specifications21-23

Models	Mixing Capacity (w/ Extensions)	Available Configurations	Available Door Configurations
VT 280	800 (880) cu. ft.	Trailer Only	Front, Side & Rear
VT 2100	1,000 (1,100) cu. ft.	Trailer Only	Front, Side & Rear
VTC 280	800 (880) cu. ft.	Trailer, Truck or Stationary	Front, Side & Rear
VTC 2100	1,000 (1,100) cu. ft.	Trailer, Truck or Stationary	Front, Side & Rear
VTC 2110	1,100 (1,210) cu. ft.	Truck Only	Front, Side & Rear
VTC 2120	1,200 (1,320) cu. ft.	Trailer, Truck or Stationary	Front, Side & Rear

CAPABLE OF HANDLING YOUR OPERATION'S WORKLOAD

With capacities ranging from 800 to 1,320 cubic feet, there's sure to be a KUHN Knight mixer for you. No matter the size, all KUHN Knight mixers come with high-quality design features giving you a strong, durable mixer that is built to last.



FULLY WELDED TUB DESIGN

The completely welded body provides superior strength and durability for long life. The heavy-duty, reinforced floor and body help ensure dependable service and long life.

EFFICIENT MIXING CHAMBER

Straighter sides, smoother curves and steeper baffles help promote a fast, complete mix for a fluffy, palatable ration. No preprocessing or special loading is required for round or square bales making it easy to load and use. Faster auger speeds also provide quicker, more complete cleanout.

LARGE UNLOADING DOORS

For unmatched feed flow, these mixers feature the largest discharge door available in the industry. The discharge linkage allows for rapid opening and closing of the door.

RUGGED UNDERCARRIAGE

The straight-single axle is ideal for farms with paved surfaces and sharp turns. The walking-tandem bogie is recommended for farms with uneven terrain. Both axle systems are located under the tub for decreased tread width to keep the tires from running over the feed.

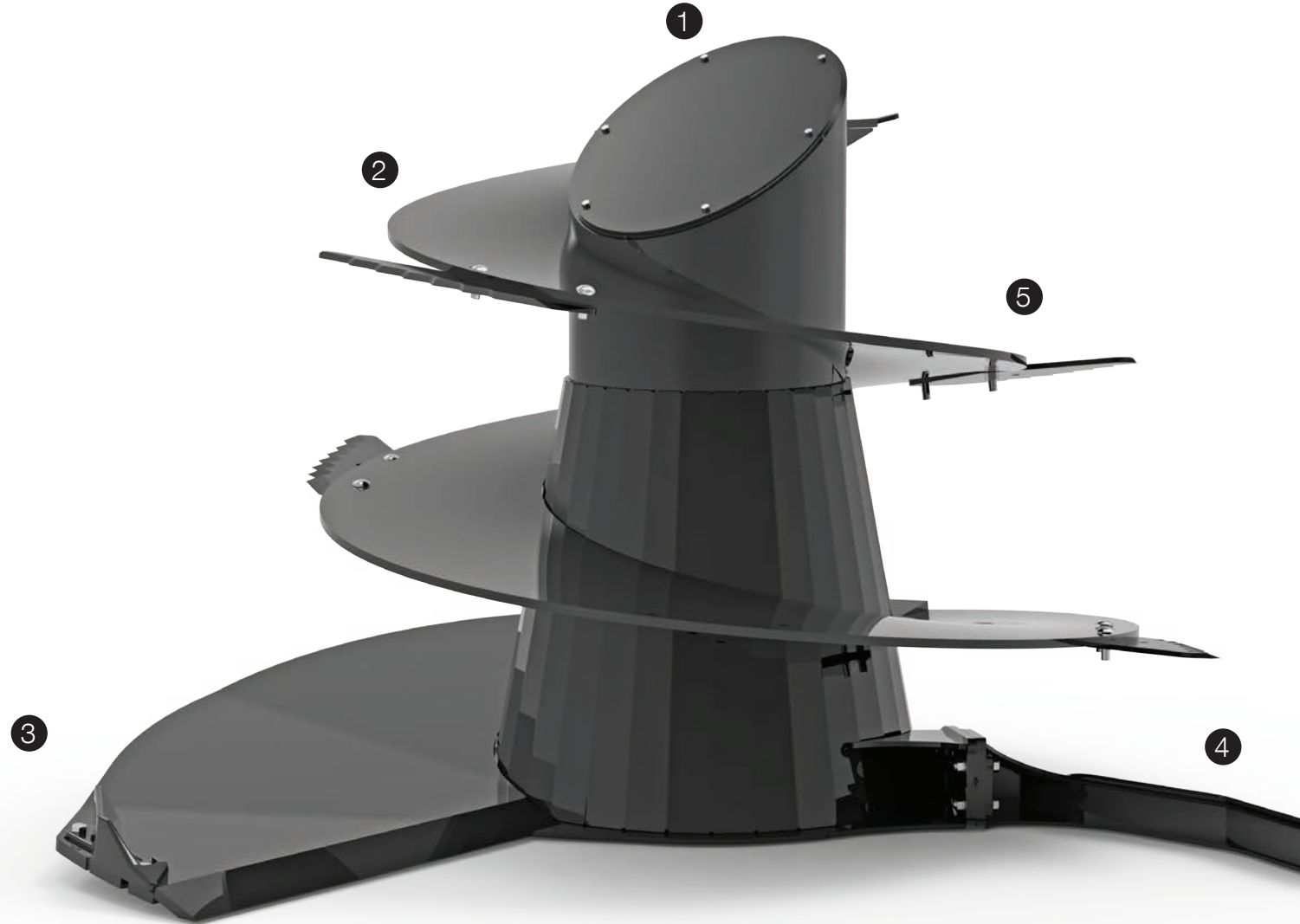
5-YEAR WARRANTY

KUHN offers a 5-year prorated warranty on planetary and 2-speed gearboxes on all vertical mixers. KUHN also offers a 1-year warranty on all other machine components.

Ask your dealer for further details.

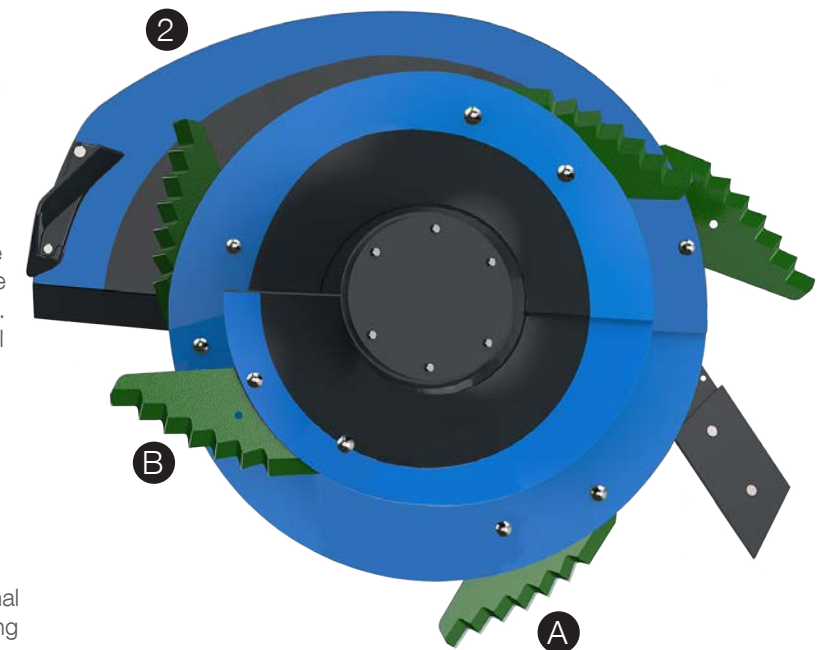
FASTER, MORE COMPLETE MIXING STARTS WITH THE AUGER

The cone-style augers provide superior feed movement for faster, more complete mixing and processing. KUHN Knight mixers have an excellent tradition for great mix quality, cone style augers carry on that tradition. Mix quality and feed efficiency are very important for high production of livestock. Through our rigorous testing we found a low coefficient of variance within multiple different rations. Providing superior performance and excellent mix quality, the cone style augers work to increase production of your livestock while keeping more money in your pocket.



- 1 AUGER CONE**
The new auger cone is designed for better auger cleanoff and made of higher-carbon material resulting in longer life. The angled top cover of the auger promotes consistent material flow and improves cleanoff. In addition, it provides an uneven surface of the upper tube to aid in bale movement when processing round bales.
- 2 CONTINUOUS FLIGHTING**
Smooth, continuous flighting promotes a rolling action of the feed for more thorough mixing and lower horsepower requirements. The heavier lower flighting, along with the heat treatment on the outer 4" provides longer service life.
- 3 ADJUSTABLE, REPLACEABLE SCRAPER**
The adjustable, replaceable lead-flighting scraper is angled to guide feed up the auger flighting for efficient movement. The scraper ensures all ingredients, even added in small amounts, are thoroughly mixed.
- 4 EFFICIENT DISCHARGE KICKER**
The swept back, bolt-on kicker design provides more feed movement during mixing and a more even discharge. The kicker is bolt-on, which allows it to be easily replaced when worn and is equipped with a wear plate in order to increase its strength and longevity.
- 5 HARDENED KNIVES**
Large, 15" or 20", replaceable haycutting knives are available to best handle the material to be processed. The knives have two positions to adjust the aggressiveness of the knife angle. Versatility of knife length, angle and position allow for optimal setting with a wide variety of ration ingredients.

 - A** Knife set in for slicing and cutting
 - B** Knife set out for grabbing and tearing
- 6 ADJUSTABLE HAY STOPS**
The adjustable hay stops provide flexibility in processing to provide the cut length necessary to reach the optimal nutritional value you're striving for. This adjustability makes hay processing more efficient and helps minimize overprocessing.



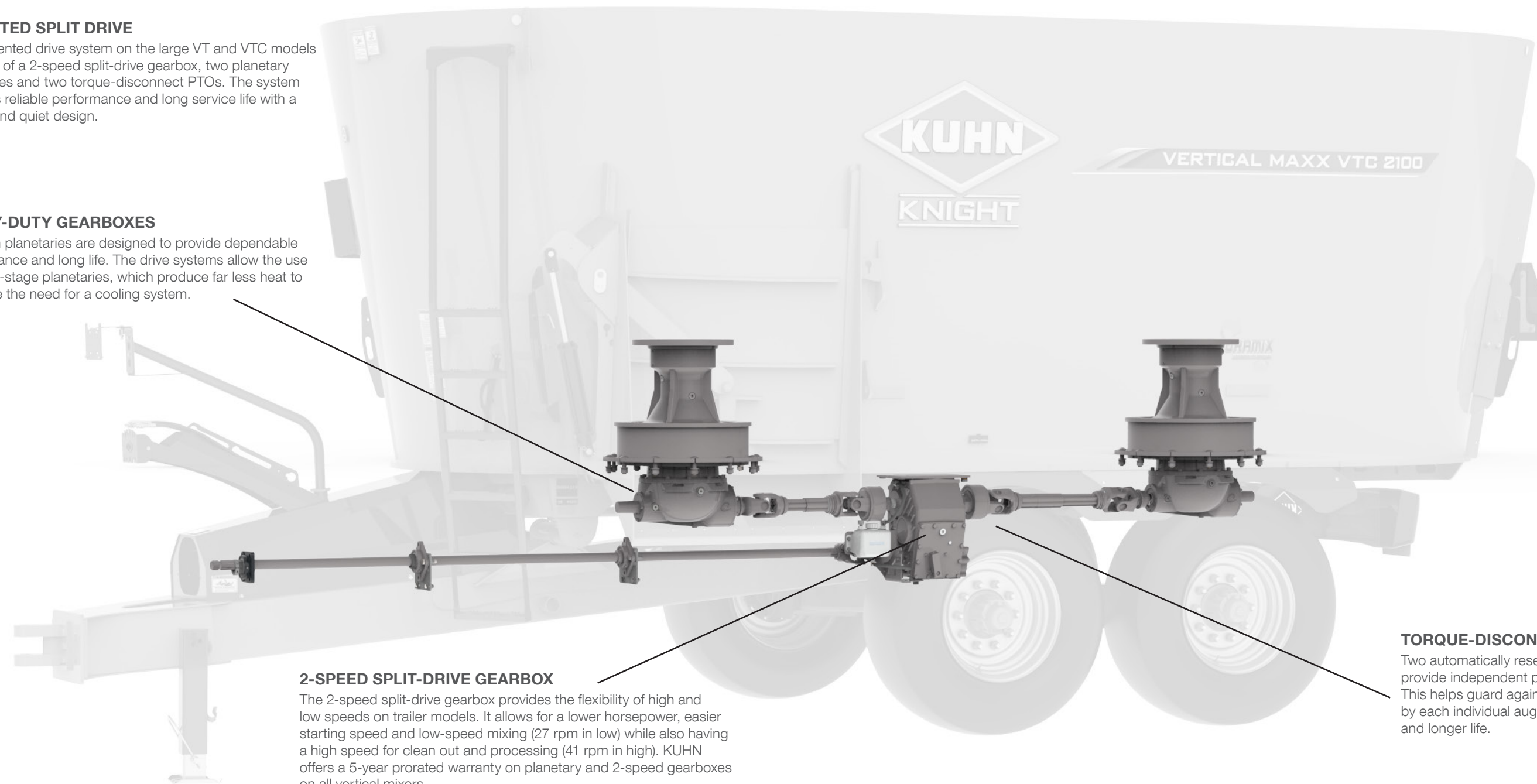
VERTICAL MAXX® TMR MIXERS TRAILER MODELS

PATENTED SPLIT DRIVE

This patented drive system on the large VT and VTC models consists of a 2-speed split-drive gearbox, two planetary gearboxes and two torque-disconnect PTOs. The system provides reliable performance and long service life with a simple and quiet design.

HEAVY-DUTY GEARBOXES

The twin planetaries are designed to provide dependable performance and long life. The drive systems allow the use of single-stage planetaries, which produce far less heat to eliminate the need for a cooling system.



2-SPEED SPLIT-DRIVE GEARBOX

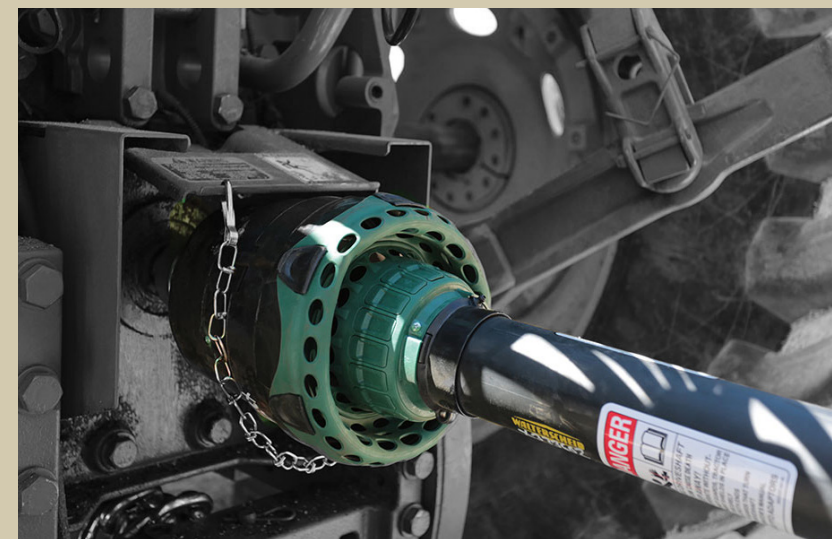
The 2-speed split-drive gearbox provides the flexibility of high and low speeds on trailer models. It allows for a lower horsepower, easier starting speed and low-speed mixing (27 rpm in low) while also having a high speed for clean out and processing (41 rpm in high). KUHNS offers a 5-year prorated warranty on planetary and 2-speed gearboxes on all vertical mixers.

TORQUE-DISCONNECT PTOs

Two automatically resetting torque-disconnect PTOs provide independent protection for each planetary. This helps guard against obstructions encountered by each individual auger, ensuring reliable service and longer life.

EASY ACCESSIBILITY

Easily pull the planetary from the top of the mixer for improved and easier service. This easy accessibility is especially helpful for truck mount models as it does not require dismantling the mixer from the chassis.

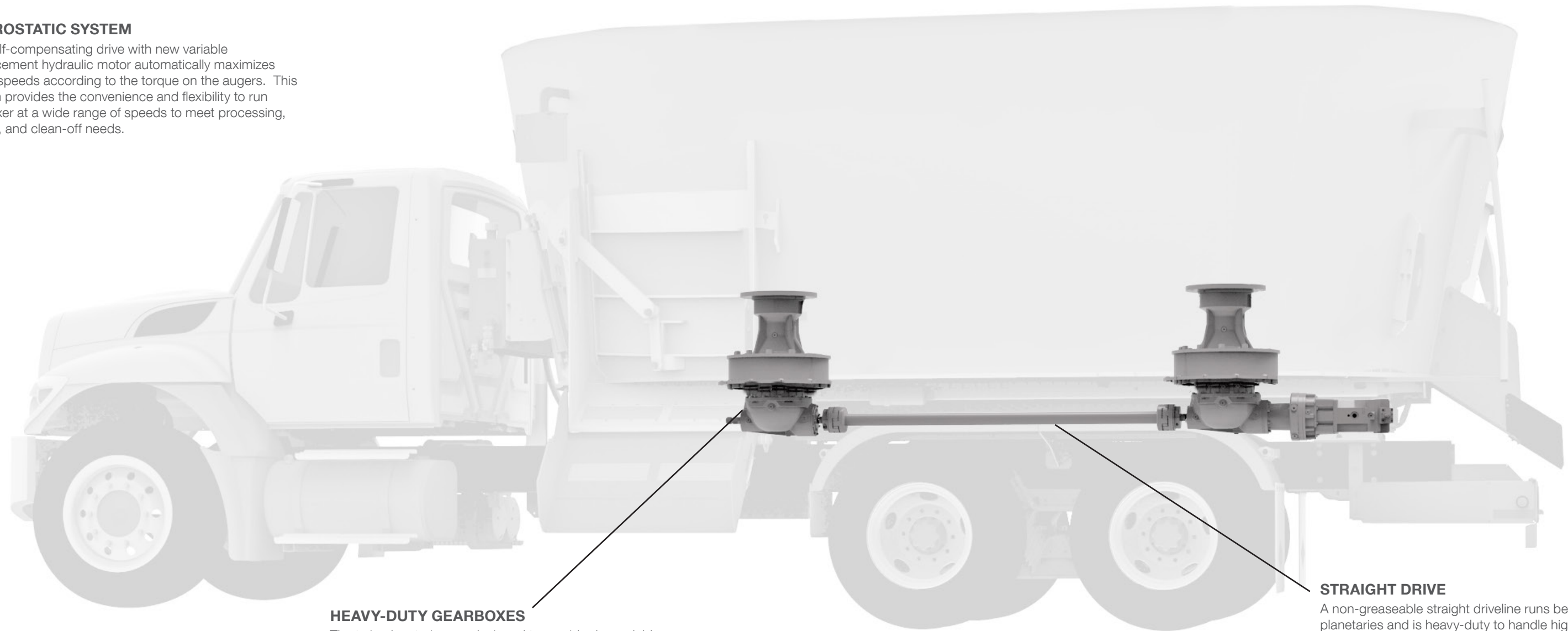


PTO OPTIONS

Multiple PTO shafts are available to fit customer needs. 1000 RPM 1 3/8" 21-spline CV and non-CV, as well as 1 3/4" 20-spline CV and non-CV.

HYDROSTATIC SYSTEM

The self-compensating drive with new variable displacement hydraulic motor automatically maximizes auger speeds according to the torque on the augers. This system provides the convenience and flexibility to run the mixer at a wide range of speeds to meet processing, mixing, and clean-off needs.



HEAVY-DUTY GEARBOXES

The twin planetaries are designed to provide dependable performance and long life. The drive system allows the use of single-stage planetaries, which produce far less heat than competitors with 2-stage planetaries.

STRAIGHT DRIVE

A non-greaseable straight driveline runs between the planetaries and is heavy-duty to handle high-torque requirements. The simplicity of three gearboxes and one driveline requires minimal maintenance with no grease zerks on the entire drive system.

ERGONOMIC TRUCK CONTROLS

New KUHN truck mount controls provides an ergonomic advantage for vertical mixer control. Operators can control both the augers and discharge with a single joystick. For ease of maintenance an external fuse box provides easy access to fuses and relays. Auxiliary power capability is available in the new wiring harness, an easy power source for scale indicators.

On-board machine parameters and diagnostics can be accessed on the machine display in order to quickly identify potential issues and monitor systems. By utilizing the new display, adjustments to the hydrostatic system can be made, pressures and temperatures from the system can be read, and service reminders based on hour metering can be set up. Machine system warnings will also come up on the display



TRUCK MODELS

On truck models, the hydrostatic drive allows control of the full range auger speed from within the cab, without stopping to shift. It is available in FEPTO or REPTO drive configurations.

A cooling & filtration system works between the hydraulic pump, reservoir, fans, and planetary gearboxes to constantly cool the oil throughout the system. With running this cooling and filtration system, these machines do not require a break-in oil change, this lengthens out the service interval to 3,500 hours.

PERFORMANCE BASED ON YOUR NEEDS

The KUHN Knight VTC 200 Series commercial twin-auger mixers are built to the heaviest specifications in the industry to ensure a quality mix day-in and day-out, even in the most extreme duty cycles. With commercial-grade components, stainless steel liners standard and the heaviest single-stage planetary gearboxes in their class, these mixers are built to withstand any feeding application and are designed to continue running around the clock. The VTC models are available in single- or tandem-axle trailer, truck mount, and stationary configurations. For fast and thorough mixing, durability, and long life, these mixers are the choice for commercial operations.

For producers with more moderate feeding cycles, but still requiring a large capacity mixer, the VT 280 and VT 2100 models are also available. These mixers share the same proven mixer tub and auger design, and include many of the same high-value features of the VTC series, ensuring a quality mix is still delivered every load. The VT 280 and VT 2100 mixers are ideal for operations looking to minimize feeding time and are competitively priced for less extreme feeding situations.



GEARBOXES DESIGNED TO MEET YOUR NEEDS

VT mixers are equipped with heavy-duty planetary gearboxes designed to provide dependable service in moderate-use cycles.

(pictured on the left)

VTC planetary gearboxes are the heaviest and strongest in this mixer class and are designed to run up to 24 hours a day.

(pictured on the right)



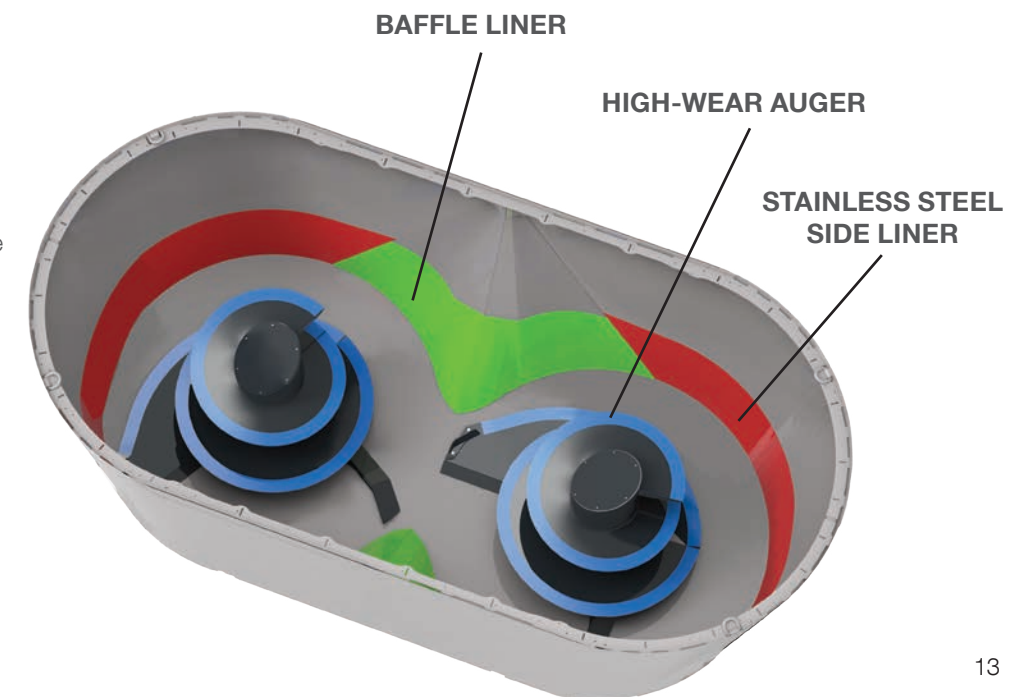
VT vs. VTC General Comparison

Unit	VT 280 & 2100	VTC 280, 2100, 2110 & 2120
Unit Color	KUHN Red	Sandstone Silver
Planetary Gearbox	Standard Duty	Commercial Duty – 30% More Capacity
Auger Material	Standard A36 Steel Optional DuraMix® High-Wear Steel	DuraMix® High-Wear Steel
Floor Thickness	3/4"	1" OR 3/4" Floor with 1/4" Stainless Liner
Side Liners	No Liners Standard Optional 30" or 60" Stainless	Standard 30" Stainless – Truck & Trailer Optional 60" Stainless – Truck & Trailer Standard 60" Stainless – Stationary
Door Liners	No Liners Standard Optional Stainless	No Liners Standard Optional Stainless

BUILT TO LAST

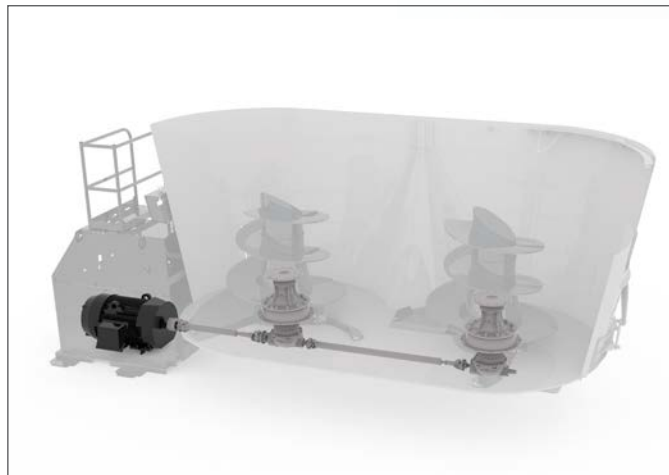
DuraMix® extended wear components help ensure dependable service and long life, even under the heaviest use-cycles.

These include standard stainless steel liner sides, higher carbon steel on the baffles and high wear augers for all KUHN Knight VTC mixer models. For additional wear protection, optional baffle liners are also available.



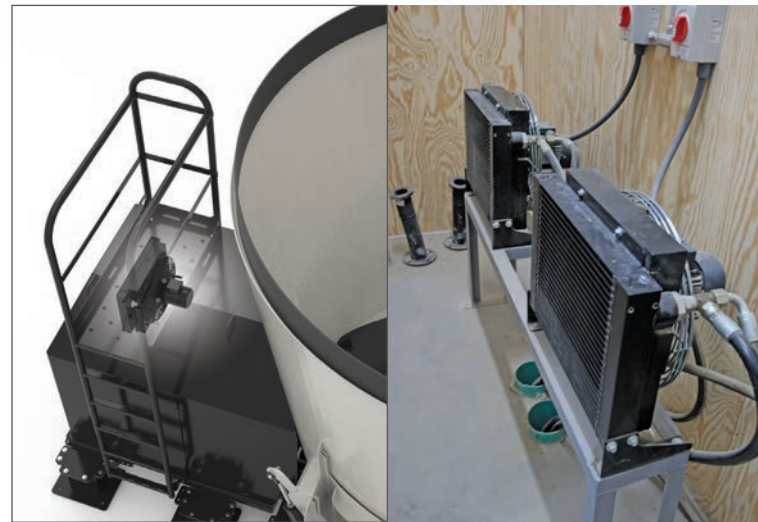
MAXIMIZE FEEDING EFFICIENCY

For large-scale operations looking to maximize feeding efficiency and mixer throughput, the VTC series is also available in a stationary configuration. Stationary mixers are ideal for producers with centralized feed storage and multiple mixers running throughout the day. By incorporating centralized mixing, one loader operator is often able to keep multiple mixers constantly running, greatly increasing mixing capacity and reducing labor. Also, with the addition of delivery boxes, the mixers do not experience the downtime from driving location to location, and in turn do not receive the additional stress from travel. The VTC Stationary Series is available with complete electric drive packages for efficient operation, and include many unique features, allowing them to be custom tailored to perfectly fit in your facility.



ROBUST POWER PACKAGE

The electric motor is directly coupled to the auger planetary gearboxes through robust automotive-style drivelines. These drivelines have greater longevity in high use and high speed applications versus traditional ag drivelines. Stationary mixers can operate as single-speed units or with a customizable range of speeds through the use of variable frequency drive (VFD). VFD allows the operator to achieve maximum efficiency and performance during mixing and discharge.



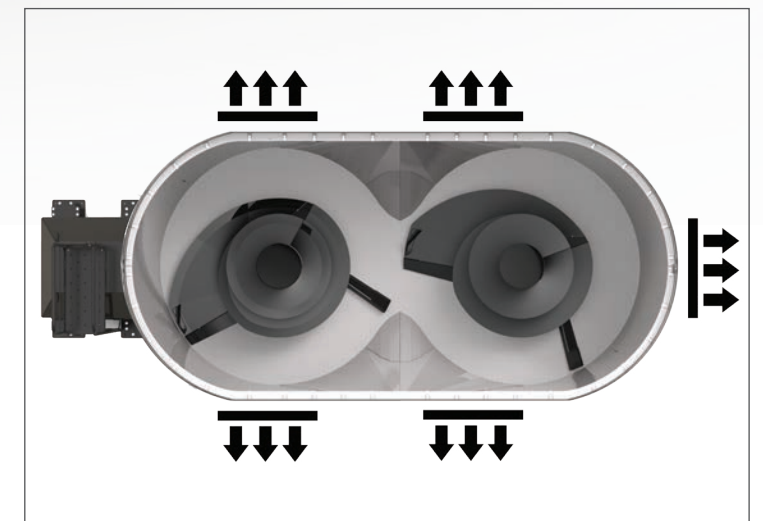
PLANETARY COOLING SYSTEM

Planetary cooling system can be mounted inside the drive enclosure or mounted remotely. The cooling system keeps planetary oil cool even during extended run time.



CUSTOMIZABLE MIXER HEIGHT OPTIONS

Pedestal heights of 0", 8", 12" or 16" provide you with the flexibility to balance loading height versus discharge height.



DRIVE/CONVEYOR OPTIONS

KUHN North America can offer VFD Packages and Mixer Conveyors through select partners to complete any stationary mixer setup. VFD packages offered provide customers with not only the ability to adjust mixer speeds, but additional various automatic functions, whether that be auto-adjusting speed control, mixer cleanout, unload activation, or other. Mixer conveyors offered are built for feeding operations and other high use applications. Simple, rugged incline belt conveyors provide an effective solution for daily use and require minimal facility adjustments to install compared to other solutions.

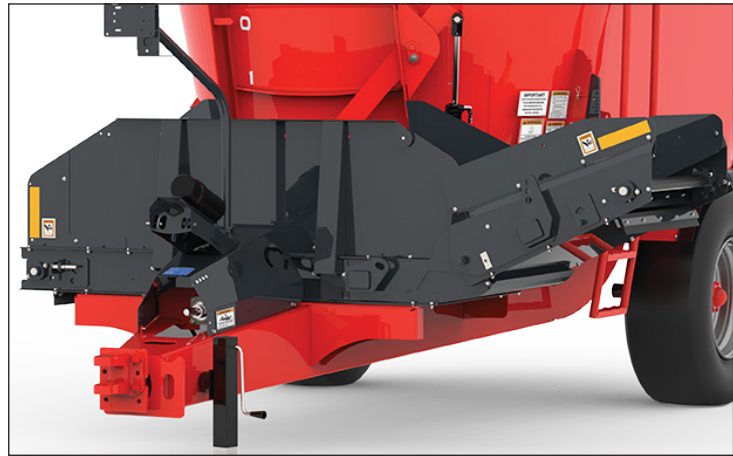
TAILORED TO YOUR OPERATION

Eight different door configuration options offer flexibility to fit a variety of feeding situations. The large discharge openings provide fast, even unloading from front, side and rear door locations for maximum efficiency.



FRONT DISCHARGE

The redesigned front cross conveyor uses rugged components for unmatched dependability. A heavy-duty stainless steel floor along with the heaviest conveyor chain in the industry, helps ensure long life and less downtime. A front discharge machine provides more even flow of material to the bunk during feedout. Front discharge machines also provide a better line of sight and allow the operator to easily see where he/she is placing feed on the floor or in the bunk. New options provide the ultimate versatility to match most feeding situations.

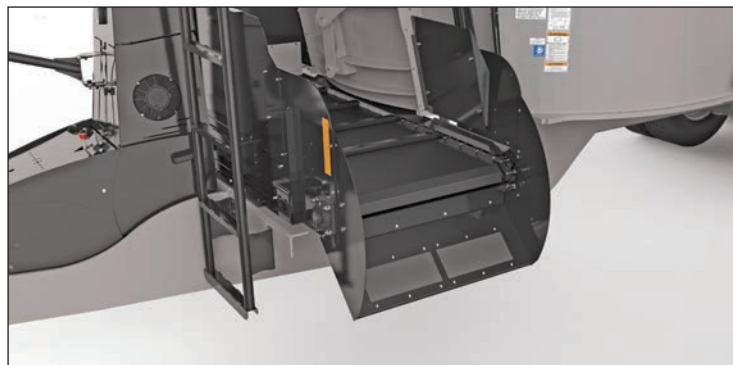


FLAT CHAIN & SLAT CONVEYOR

The flat front conveyor option is simple to operate and offers convenient feeding from either side of the machine on trailer models. Hydraulic side shift is standard and gives you the ability to shift the conveyor from side to side for accurate feed placement.

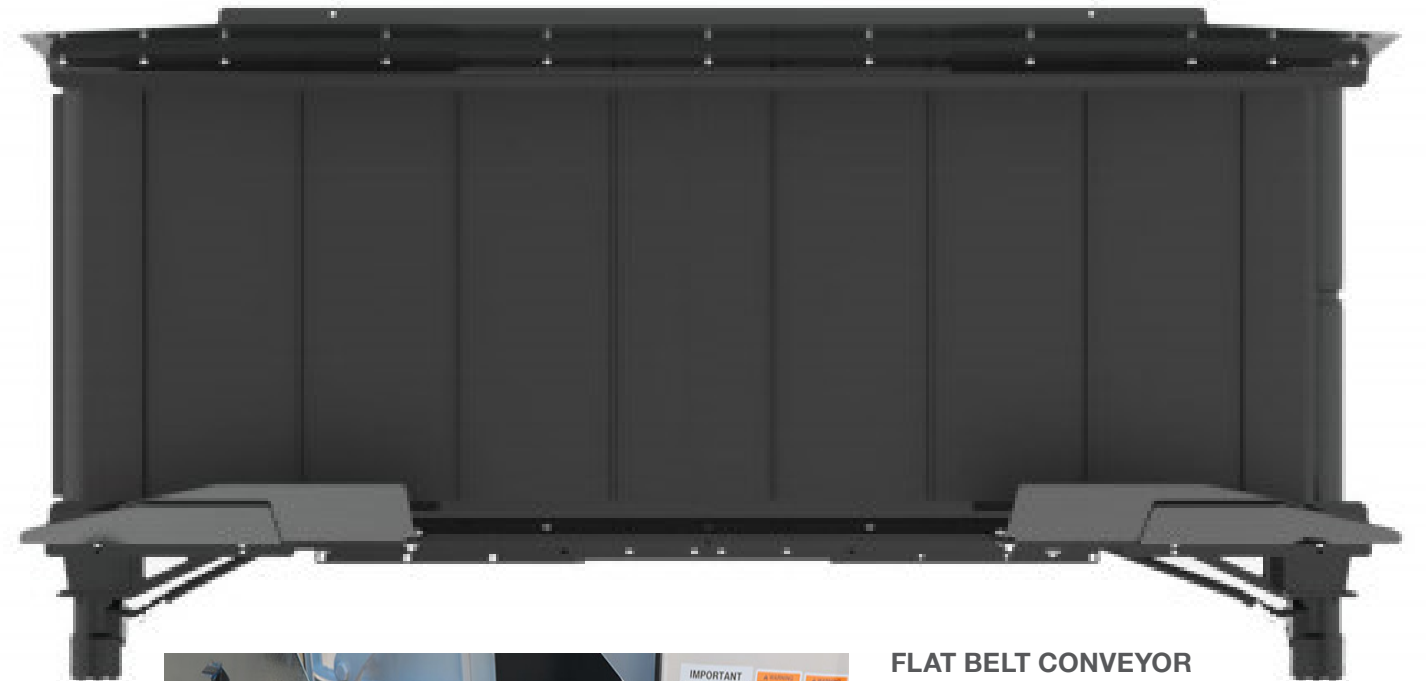
INCLINE CHAIN & SLAT EXTENSION

With the incline chain and slat conveyors, customers can now choose to order a conveyor to feed off a single direction incline or bi-directional conveyor to feed off both incline or flat side. This option allows flexibility for feeding operations that may need to feed into a bunk but also do some floor feeding as well.



TIP-OFF WITH MAGNETS

A fixed tip-off with magnets can be added to both the flat and inclined front conveyors, as well as the side conveyor options. The magnets work to catch small metal fragments present in the feed and help prevent hardware.



FLAT BELT CONVEYOR

Belt conveyors are an efficient way to deliver feed with smooth feed delivery, minimal carryaround, quiet operation, and minimal maintenance. Belt conveyors can accurately place feed where operators desire. These conveyors provide excellent functionality when delivering feed to livestock. Commercial-grade belting, parallel smooth rollers, and a center guide provide added reliability and dependability of the front discharge belt conveyors.



SIDE DISCHARGE

Side-discharge options are available for both truck and trailer models. Truck models offer a left-side door, while trailer models offer doors on either or both sides. The large door openings, unmatched by competition, allow fast unloading. A side discharge door configuration provides a simple, low-cost design with fewer moving parts and less overall maintenance. Another advantage is the maneuverability of the side door machines. With a shorter wheelbase, side door machines are easier to maneuver around the farm.



RUBBER BELTING

An economical discharge option is the side door belting. A rubber belting bolted to the side door frame directs feed to the floor for an even, smooth delivery.



SIMPLE SLIDE TRAY

The side-discharge slide tray on the VT & VTC models has simple hydraulic controls and helps guide the feed further away from the tire path. Discharge magnets help catch metal fragments to prevent hardware. These models include a fixed slide tray incorporated into the door-frame design as standard, that includes magnets.



DURABLE BELT CONVEYORS

A belt conveyor can be added for easy and consistent placement of feed at varying heights including the filling of mobile feed carts. The belt offers quiet operation and consistent feed flow. Belt conveyors are able to run steeper versus a chain and slat because you can run the conveyor faster, depending on the materials. The low profile sides allow the conveyor to fold up tighter to the machine for a more narrow transport width. An optional deflector with magnets is available to order to help direct feed flow off the conveyor.



RUGGED CHAIN & SLAT CONVEYORS

The optional chain and slat conveyors provide the ultimate in durability and long life. Heavy-duty components ensure reliable service, even in extreme use conditions. Multiple conveyor length options offer unmatched flexibility to tailor the discharge to your needs. A tip-off is also available to help direct feed flow off the conveyor.



REAR DISCHARGE

A rear commodity door is available on VT and VTC models. The large opening provides fast discharge, even with high-roughage premixes. A discharge tray is included on truck models to direct material flow for clean, accurate feed placement.

OPTIONAL EQUIPMENT



HAY-RETENTION RING

The steel hay-retention ring helps contain large round bales during processing and reduces hay spillage more effectively compared to similar options on competitive models.



CAPACITY BELT EXTENSION

A belt extension added to the top of the mixing tub increases capacity by about 10%. It also improves hay containment, and the rubber construction is durable and pliable for long life.



LADDER OR VIEWING PLATFORM

All models feature a standard observation ladder to easily view the inside of the mixing chamber. Trailer models also offer an optional viewing platform for a convenient, comfortable place to check mixing progress.



TIP-OFF WITH MAGNETS

A fixed tip-off with magnets can be added to both the flat and inclined front conveyors, as well as the side conveyor options. The magnets work to catch small metal fragments present in the feed and help prevent hardware.



HANGING BELT WITH MAGNETS

Either or both ends of the flat conveyor can be fitted with a hanging belt with magnets to catch small metal fragments. The hanging belt also helps to even feed flow off the end of the conveyor.



STAINLESS STEEL LINER

A stainless steel liner provides extra protection in the lower part of the chamber where most wear occurs. Stainless steel baffle liners are also available.

*30" liner: optional on VT, standard on VTC models.
60" liner: optional on VTC models.*



SCALE SYSTEMS

Different scale brands, models and options are available for all types of operations, ranging from the very basic to a high-end feed-tracking program that uses a remote scoreboard display. Optional remote indicators are available for placement that will allow easier viewing.



KNIFE OPTIONS

Choose from 15" or 20", replaceable hay-cutting knives to meet your feeding needs best. Available as an option are (2) 20" tungsten-coated knives with a 30° bend to help aid in the processing of round bales.



MULTIPLE SHIFTING OPTIONS

The gearbox can be shifted manually on the machine or with an in-cab electric shift option for operator convenience.

Available on trailer models only



Technical Specifications			
	VTC 280 STATIONARY	VTC 2100 STATIONARY	VTC 2120 STATIONARY
Capacity	800 ft³ (22.7 m³)	1,000 ft³ (28.3 m³)	1,200 ft³ (34 m³)
Capacity with Extensions	880 ft³ (25 m³)	1,100 ft³ (31.1 m³)	1,320 ft³ (37.3 m³)
Maximum Net load	26,400 lbs (11,975 kg)	33,000 lbs (14,969 kg)	39,600 lbs (17,962 kg)
Overall Height	105" (267 cm)	120" (305 cm)	134" (340 cm)
Overall Height - With Hay Retention Ring	111" (282 cm)	126" (320 cm)	140" (356 cm)
Overall Height - 10" (25 cm) Belt Extensions	113" (287 cm)	128" (325 cm)	142" (361 cm)
Overall Length	291" (739 cm)	294" (747 cm)	296" (752 cm)
Mixing Chamber Length	234" (594 cm)	239" (607 cm)	244" (620 cm)
Overall Width - Mixer Only (No Discharge)	117" (297 cm)	119" (302 cm)	119" (302 cm)
Number of Augers	2		
PTO Drive	Direct-drive		
PTO Protection	Electric-disconnect		
Knives per Auger (Standard / Maximum)	5/6	5/7	6/8
Auger Diameter	104" (264 cm)		
Lower Auger Flighting Thickness	3/4" (1.9 cm)		
Upper Auger Flighting Thickness	5/8" (1.6 cm)		
Unit Weight	Min. 20,800 (9,450 kg) - Max. 23,700 lbs (10,750 kg)	Min. 21,900 (9,950 kg) - Max. 24,800 lbs (11,250 kg)	Min. 22,900 (10,400 kg) - Max. 25,700 lbs (11,700 kg)
Weighing System	4-Point		
Side Door Opening Size	42" x 40" (107 x 102 cm)		
Rear Door Opening Size	48" x 40" (112 x 102 cm)		
Floor Thickness	1" (2.5 cm)		
Sidewall Thickness	1/4" (0.6 cm)		
Mounting Base Width	72" (183 cm)		
Electric Motor Horsepower	200 hp (149 kW)		
Electric Motor RPM	1,200 RPM		
Motor Housing	Drive enclosure		
Cooling System	Planetary cooling system with filtration		



KUHN PARTS



Designed and manufactured to rival time. KUHN foundries and forge as well as a high-level manufacturing process allow the production of spare parts to defy time. You can trust in our longstanding know-how, based on almost two centuries of experience. With Kuhn North America Parts, you can be assured of the highest quality parts and customer service in the agriculture equipment industry. Seven distribution centers, located strategically throughout North America, ensure that KUHN, KUHN Knight and KUHN Krause dealers have access to parts and assistance so you can get back in the tractor.

Technical Specifications									
	VT 280 TRAILER (FRONT SIDE)	VTC 280 TRAILER (FRONT SIDE)	VT 2100 TRAILER (FRONT SIDE)	VTC 2100 TRAILER (FRONT SIDE)	VTC 2120 TRAILER (FRONT SIDE)	VTC 280 TRUCK (FRONT SIDE)	VTC 2100 TRUCK (FRONT SIDE)	VTC 2110 TRUCK (FRONT SIDE)	VTC 2120 TRUCK (FRONT SIDE)
Capacity	800 ft³ (22.7 m³)		1,000 ft³ (28.3 m³)		1,200 ft³ (34 m³)	800 ft³ (22.7 m³)	1,000 ft³ (28.3 m³)	1,100 ft³ (28.3 m³)	1,200 ft³ (34 m³)
Capacity with Extensions	880 ft³ (25 m³)		1,100 ft³ (31.1 m³)		1,320 ft³ (37.3 m³)	880 ft³ (25 m³)	1,100 ft³ (31.1 m³)	1,210 ft³ (34.3 m³)	1,320 ft³ (37.3 m³)
Maximum Net load	26,400 lbs (11,975 kg)		33,000 lbs (14,969 kg)		39,600 lbs (17,962 kg)	26,400 lbs (11,975 kg)	33,000 lbs (14,969 kg)	36,300 lbs (16,465 kg)	39,600 lbs (17,962 kg)
Overall Height	109" (277 cm) ta		124" (315 cm) ta		138" (351 cm) ta	119" (302 cm)	134" (340 cm)	142" (361 cm)	148" (376 cm)
Overall Height - With Hay Retention Ring			-			125" (318 cm)	140" (356 cm)	148" (376 cm)	156" (396 cm)
Overall Height - 10" (25 cm) Belt Extensions	118" (300 cm) ta		133" (338 cm) ta		147" (373 cm) ta	127" (323 cm)	142" (361 cm)	150" (381 cm)	158" (401 cm)
Overall Height - Single Axle - without Extensions / with Extensions	107" (272 cm)/116" (295 cm)		120" (305 cm)/129" (328 cm)		134" (340 cm)/143" (363 cm)	-	-	-	-
Overall Height - Hay Retention Ring - Inline Dual Wheel Tandem / Oscillating Tandem	113" (287 cm)/115" (292 cm)		128" (325 cm)/130" (330 cm)		142" (361 cm) /144" (366 cm)	-	-	-	-
Overall Length	328" (833 cm) 295" (749 cm)		330" (838 cm) 297" (754 cm)		332" (843 cm) 299" (759 cm)	268" (681 cm) 234" (594 cm)	271" (688 cm) 239" (607 cm)	272" (691 cm) 242" (615 cm)	273" (693 cm) 244" (612 cm)
Mixing Chamber Length	234" (594 cm)		239" (607 cm)		244" (620 cm)	234" (594 cm)	239" (607 cm)	242" (615 cm)	244" (620 cm)
Overall Width - Mixer Only (No Discharge)	117" (297 cm)		119" (302 cm)			117" (297 cm)	119" (302 cm)	119" (302 cm)	119" (302 cm)
Tread Width	114" (290 cm) sa / 105" (267 cm) ta					100" (254 cm)		100" (254 cm)	
Number of Augers	2					2		2	
Auger RPM - Standard / High Speed	27/41					Variable		Variable	
PTO Drive	1,000 rpm					1,000 rpm		1,000 rpm	
PTO Protection	Torque-Disconnect					Pressure Compensation		Pressure Compensation	
PTO Minimum Power Requirement	140 hp (104 kW)		150 hp (112 kW)		170 hp (127 kW)	-	-	-	-
Knives per Auger (Standard / Maximum)	5/6		5/7		6/8	5/6	5/7	5/7	6/8
Auger Diameter	104" (264 cm)					104" (264 cm)		104" (264 cm)	
Lower Auger Flighting Thickness	3/4" (1.9 cm)					3/4" (1.9 cm)		3/4" (1.9 cm)	
Upper Auger Flighting Thickness	5/8" (1.6 cm)					5/8" (1.6 cm)		5/8" (1.6 cm)	
Axle Configuration	Inline or Oscillating Tandem Axle					-		-	
Hitch	Clevis					-		-	
Unit Weight	Min. 17,800 lbs (8,040 kg) - Max. 22,900 lbs (10,390 kg)	Min. 20,100 lbs (9,100 kg) - Max. 25,100 lbs (11,380 kg)	Min. 18,900 lbs (8,540 kg) - Max. 24,000 lbs (10,880 kg)	Min. 21,200 lbs (9,590 kg) - Max. 26,200 lbs (11,850 kg)	Min. 22,200 lbs (10,040 kg) - Max. 27,100 lbs (12,260 kg)	Min. 17,700 (8,010 kg) - Max. 22,100 lbs (10,010 kg)	Min. 18,700 (8,480 kg) - Max. 23,200 lbs (10,490 kg)	Min. 19,100 (8,650 kg) - Max. 23,500 lbs (10,620 kg)	Min. 19,700 (8,920 kg) - Max. 24,100 lbs (10,890 kg)
Tongue Weight - % Gross	10%					-		-	
Weighing System	4-Point					4-Point		4-Point	
Door Opening Size	48" x 40" (112 x 102 cm) 42" x 40" (107 x 102 cm)					48" x 40" (112 x 102 cm) 42" x 40" (107 x 102 cm)		48" x 40" (112 x 102 cm) 42" x 40" (107 x 102 cm)	
Rear Door Opening Size	48" x 40" (112 x 102 cm)					48" x 40" (112 x 102 cm)		48" x 40" (112 x 102 cm)	
Floor Thickness	3/4" (1.9 cm)	1" (2.5 cm)	3/4" (1.9 cm)	1" (2.5 cm)	1" (2.5 cm)	1" (2.5 cm)	1" (2.5 cm)	1" (2.5 cm)	1" (2.5 cm)
Sidewall Thickness	1/4" (0.6 cm)					1/4" (0.6 cm)		1/4" (0.6 cm)	
Highway Light Kit	Standard					-		-	
Truck Drive	-					Hydrostatic		Hydrostatic	
Truck Subframe	-					Tandem Axle		Tandem Axle	
Cab-Mounted Indicator Mount and Joystick Controls	-					Standard		Standard	
Steel Rear Bumper	-					Standard		Standard	
Clearance Light Kit	-					Standard		Standard	

For more machine specifications, please visit www.kuhn.com



MyKUHNS

THE LINK TO MY SUCCESS

MyKUHNS is your online customer portal where you can access machine operator's manuals, parts catalog and more! The site is available on computer, phone or tablet, so you can access your fleet's information anywhere around the farm. Create an account and register your KUHNS equipment today!



MORE PRODUCTS TO MEET YOUR NEEDS!



1. Mowers - 2. Tedders - 3. Round Balers - 4. Bale Processors - 5. Manure Spreaders - 6. Primary Tillage Systems

KUHNS NORTH AMERICA, INC. | Corporate Headquarters | 1501 West Seventh Avenue - Brodhead, WI 53520

For more information about your nearest KUHNS dealer, visit our website www.kuhn.com

Information given in this document is only for informational purposes and is non-contractual. Our machines are in compliance with North American safety standards. In our literature, and for improved illustration of certain details, some safety devices may not be in operating position. When operating these machines, these devices must be operated in accordance with the requirements indicated in the operator's manuals and assembly manuals. We reserve the right to change any designs, specifications or materials listed without further notice. Machines and equipment in this document can be covered by at least one patent and/or registered design. Trademarks cited in this document may be registered in one or several countries.

Printed in USA 706430US 0721 Copyright 2021 Kuhn North America, Inc.

