

RITEWAY 

**HIGH-SPEED
COMPACT DISC**

HCD-32

HIGH-SPEED COMPACT DISC



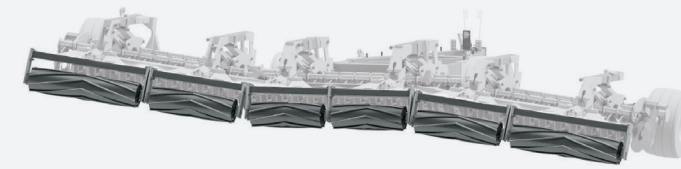
RITEWAY 

HIGH SPEED COMPACT DISC

RECLAIM YOUR LAND.

Prepare seedbeds. Manage your trash and residue. Repair ruts and destroy clods. The High Speed Compact Disc is the right tool for all your tillage needs.

AN EVEN FINISH ON ANY TERRAIN

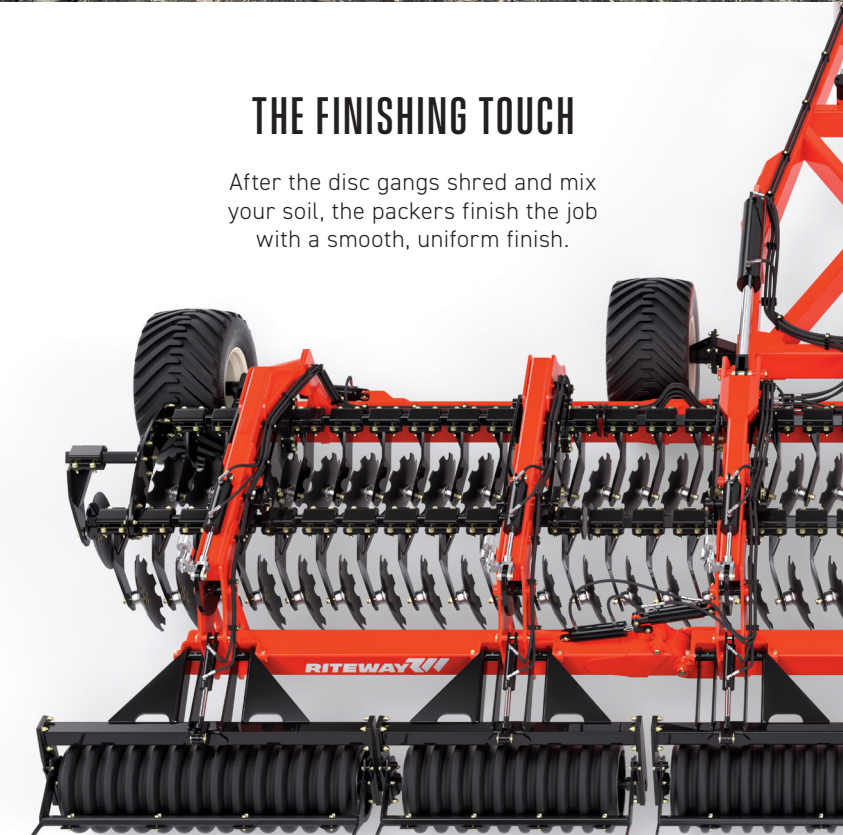


Our packer suspension system gives the HCD-32 the unique ability to walk across rocks without lifting the rest of the machine.

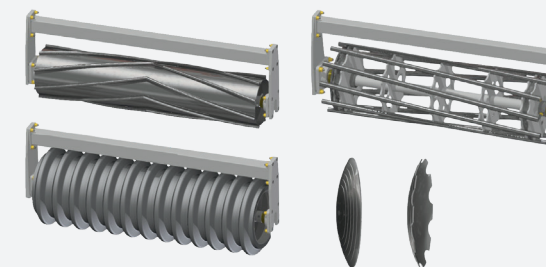


THE FINISHING TOUCH

After the disc gangs shred and mix your soil, the packers finish the job with a smooth, uniform finish.



OPTIONS FOR EVERY FIELD AND SOIL TYPE



Choices of discs and packers ensure your soil and residue is shredded, mixed and smoothly finished. Choose from:

- Chevron packer
- Rubber packer
- Basket packer
- Smooth, concave discs
- Notched, concave discs



HCD-32 FEATURES

1 - Ultra-Narrow Transport

A 13'8" transport width and 13'1" transport height mean the HCD fits on most roads, under bridges, and inside your storage buildings.

2 - Forward™ Unfolding System

The patented unfolding system goes from transport to field mode in minutes using hydraulics – with no need to back up.

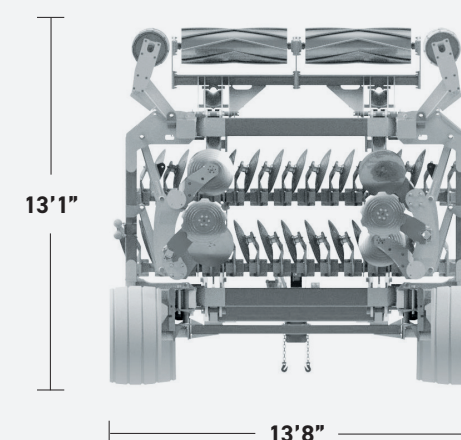
3 - Oversized High Flotation Tires

Oversized tires allow you to run lower pressure at all times, preventing bouncing in the field, while always being ready for road transport.

4 - Offset Discs

Each row of 20" discs is offset to ensure that every inch of your field is tilled.

COMPACT TRANSPORTATION



SEE THE HCD-32 IN ACTION. Go to www.RiteWayMfg.com/media-gallery to see how the Rite Way High-Speed Compact Disc can handle all of your tillage needs.



MADE TO WORK IN ANY CONDITIONS.

Level ruts and rid your field of trash and residue. The HCD allows you to plant sooner and helps your seed germinate faster. Like all Rite Way equipment, the HCD is unique in its ability to follow the contours of your land.



SPECIFICATIONS:

HCD-32	
WORKING WIDTH	32' (9.75 m)
TRANSPORT WIDTH	13'8" (4.2 m)
WEIGHT (APPROXIMATE)	25,000 lb (11,340 kg)
TRANSPORT HEIGHT	13'1" (4 m)
TRANSPORT LENGTH	30'4" (9.25 m)
HP REQUIRED PER FOOT	15
DISC SIZE	20" (50.8 cm)
DISC SPACING	5" (12.7 cm)
TIRES	4 x 560 - 45 x 22.5

We are continuously improving our products. Design, specifications, and material are subject to change without notice.

For more information on the HCD-32 or other land improvement equipment, see your local Rite Way equipment dealer, or visit www.RiteWayMfg.com

Toll free: 1-800-352-8822



/RiteWayMfg



@RiteWayMfgCo