

# 5080T

## Telescopic wheel loader



**WEIDEMANN**  
*designed for work*



### 5080T Technical specifications

#### Engine data Standard

Manufacturer	Perkins
Engine type	904J-E36TA
Cylinders	4
Engine performance	100 (136) kW (hp)
at rpm (max.)	2200 rpm
Cubic capacity	3621 cm <sup>3</sup>
Cooling system	Water
Emissions standard level	V
Exhaust after treatment	DOC/DPF/SCR

#### Electrical system

Operating voltage	12 V
Battery	135 Ah
Alternator	85 A
<b>Weights</b>	
Operating weight (standard)	7200 kg
Tipping load with bucket - machine straight	4365 (2561*) kg
Tipping load with bucket - machine articulated	3659 (2133*) kg
Tipping load with pallet fork - machine straight	4103 (2560*) kg
Tipping load with pallet fork - machine articulated	3448 (2128*) kg
<b>Vehicle data</b>	
Axle	PA 1422/2
Cab	Cabin
Ground speed (optional)	0- 20 (30, 40) km/h
Speed stages	2
Fuel tank capacity	105 l
Hydraulic oil tank capacity	95 l
<b>Hydraulic system</b>	
Steering hydraulics - Oil flow (optional)	100 (115-150) l/min
Steering hydraulics - Operating pressure	235 bar
<b>Drive</b>	
Type of drive	Hydrostatic
Traction drive	Universal joint shaft
<b>Noise values</b>	
Average sound power level L <sub>WA</sub>	100 dB(A)
Guaranteed sound power level L <sub>WA</sub>	103 dB(A)
Specified sound pressure level L <sub>pA</sub>	75 dB(A)

\*Tipping load values when extended

Tipping load calculation according to ISO 14397 (horizontal mast)

DPF = Diesel particulate filter

DOC = Diesel oxidation catalytic converter

SCR = Selective catalytic reduction

Vibrations (weighted average effective value)

**Hand-arm vibrations:** The hand-arm vibrations are no more than 2.5 m/s<sup>2</sup>

**Whole-body vibrations:** This machine is equipped with a operator's seat that meets the requirements of EN ISO 7096:2000.

When the loader is properly used, the whole body vibrations vary from below 0.5 m/s<sup>2</sup> up to a short-term maximum value.

It is recommended to use the values specified in the table when calculating the vibration values according to ISO/TR 25398:2006. At the same time, the actual use conditions have to be taken into consideration.

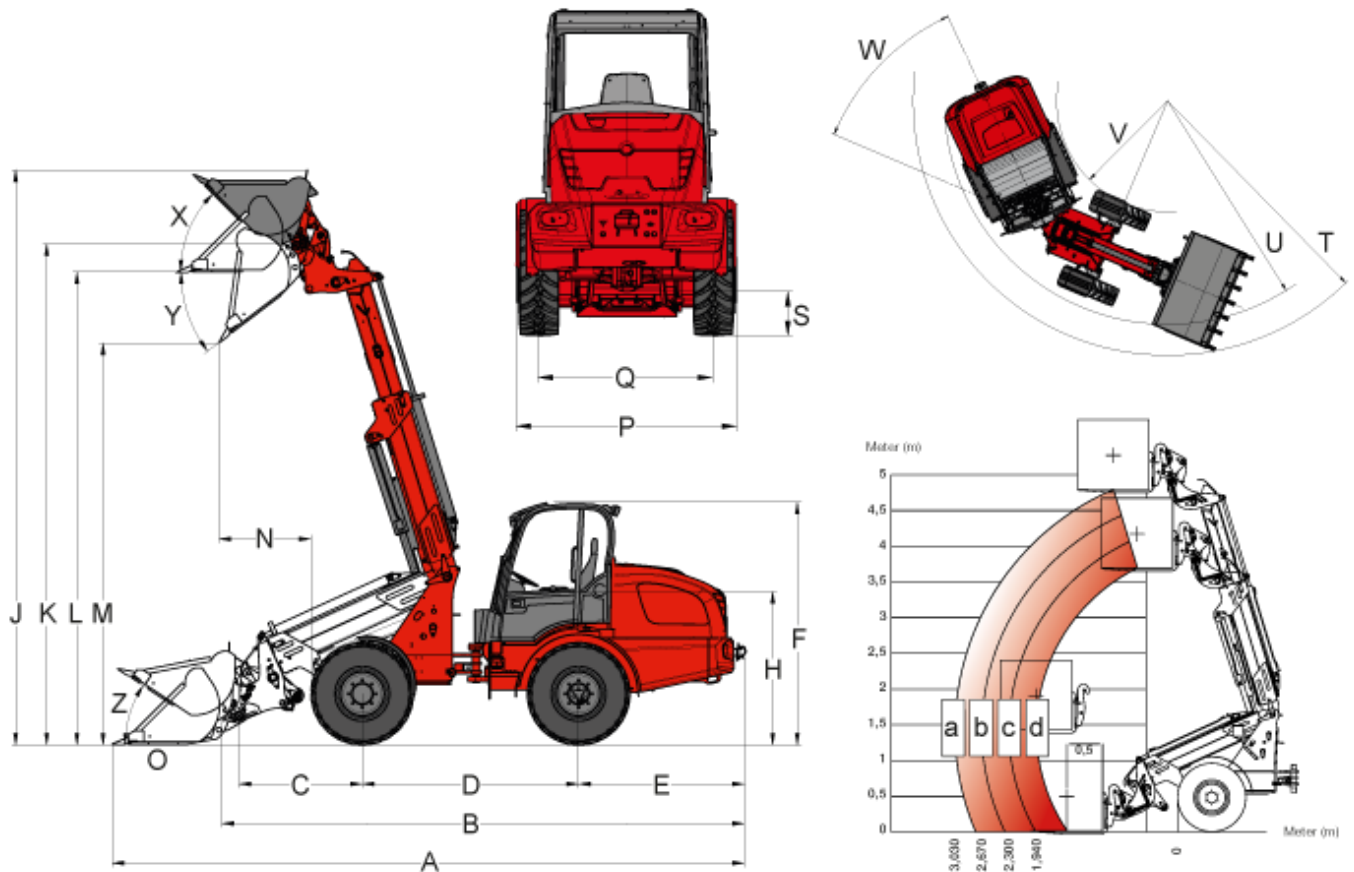
Telehandlers, like wheel loaders, are to be classified by operating weight.

Type of loader	Typical operating conditions	Mean value			Standard deviation (s)		
		$1.4 \cdot a_{w,eqx}$ [m/s <sup>2</sup> ]	$1.4 \cdot a_{w,eqy}$ [m/s <sup>2</sup> ]	$a_{w,eqz}$ [m/s <sup>2</sup> ]	$1.4 \cdot s_x$ [m/s <sup>2</sup> ]	$1.4 \cdot s_y$ [m/s <sup>2</sup> ]	$s_z$ [m/s <sup>2</sup> ]
Compact wheel loader (operating weight < 4,500 kg)	Load & carry (load and transport work)	0.94	0.86	0.65	0.27	0.29	0.13
Wheel loader (operating weight > 4,500 kg)	Load & carry (load and transport work)	0.84	0.81	0.52	0.23	0.2	0.14
	Application in extraction (harsh application conditions)	1.27	0.97	0.81	0.47	0.31	0.47
	Delivery drive	0.76	0.91	0.49	0.33	0.35	0.17
	V-operation	0.99	0.84	0.54	0.29	0.32	0.14

# 5080T

Telescopic wheel loader

## 5080T Dimensions



A	Total length	6,396 mm
B	Total length (without bucket)	5,200 mm
C	Axle middle to bucket pivot pin	1245 mm
D	Wheelbase	2,189 mm
E	Rear overhang	1,676 mm
F	Height to top of cabin	2,694 mm
H	Seat top height	1,570 mm
J	Total working height	5,839 mm
K	Height of bucket pivot (max.)	5,091 mm
L	Load-over height	4,805 mm
M	Dumping height	4,086 mm
N	Operating distance for M	916 mm
P	Total width	1,990 mm
Q	Track width	1,422 mm
S	Ground clearance	375 mm
T	Maximum radius external	4,473 mm
U	Radius at the outer edge	3,928 mm

V	Inside turning radius	1,629 mm
W	Inclination angle	42 °
X	Rollback angle at max. lifting height	45 °
Y	Dumping angle (max.)	33 °
Z	Rollback angle (on the ground)	41 °
Load capacity diagram		
	a	1277 kg
	b	1426 kg
	c	1794 kg
	d	2069 kg

## 5080T

Telescopic wheel loader

### 5080T Standard components

#### Engine

- Perkins 904J-E36TA (100 kW / 136 HP), Stage V

#### Drive system

- Planetary axle PA1422/2
- Hydrostatic 4 wheel drive, travel direction can be selected via joystick
- Service brake: Disc brake (combined with parking brake)
- Central service and parking brake in the drive train acting on all 4 wheels
- 100% differential lock, electric-hydraulically connectable on front and rear axle
- Tires 550 / 45 - 22.5 AS ETO

#### Steering system

- Hydraulic articulated pendulum steering, 12° oscillating angle

#### Hydraulics

- 3rd control circuit in front electrically proportional in parallel via joystick, including double notch
- Hydraulic oil cooler
- Depressurised front reverse travel
- Floating position for lift cylinder
- Oil volume adjustment via jog dial control element

#### Operator's cab

- Comfort cabin with heater and ventilation, ROPS / FOPS tested
- Laterally tiltable operator's cab
- Comfort seat with safety belt, fully suspended, weight, back and horizontal adjustment
- Hydraulic pilot operated joystick with direction control switch, integrated touch button for differential lock and telescoping function
- Adjustable steering wheel (tilt), armrest on right

#### Kinematics

- Telescopic arm

#### Other

- Work lights (2 front, 2 rear)
- Lighting equipment according to Road Traffic Regulations
- Operating hour meter
- Battery isolator switch
- Fuel display
- Hydraulic quickhitch system for attachments
- Plug receptacle in front, triple-pole, dual function
- Lowering brake valve (hose burst valves for lift and tipping cylinders)
- Water filling, front tyres

## 5080T

Telescopic wheel loader

### 5080T Options

#### Engine

- Manual throttle
- Engine pre-heater (coolant), hydraulic oil pre-heater 230 V

#### Operator's cab

- Air-conditioning system
- Air-suspended comfort seat
- Heated seat
- Radio
- Cabin plug receptacle 230 V
- Protective grating for front window
- Storage box with bottle holder (left next to the operator's seat)

#### Lighting

- LED work lights (2 front, 2 rear)
- MEGA work lights (2 front, 2 rear)
- Rotating beacon

#### Drive system

- Speed increase to 30 km/h
- Speed increase to 40 km/h
- Hand inching (creep speed controller)

#### Hydraulics

- 3rd flow sharing control circuit (100 l/min)
- 3rd flow sharing control circuit (115 l/min)
- 3rd flow sharing control circuit, load-sensing (150 l/min)
- Reversing valve of 3rd control circuit, front
- Faster quick coupler (machine or attachment side)
- Unpressurised reverse travel (rear)
- Hydraulic connection in rear is dual-acting via reversing valve (l/min like 3rd control circuit in front)
- Dual-acting hydraulic connection in rear (63 l/min) (two couplings), including separate control valve
- 2x hydraulic connection in rear (63 l/min) dual acting (four couplings), including separate control valve

#### Electrical connections

- Plug receptacle in front, triple-pole (dual function)
- Plug receptacle for rear attachments, triple-pole
- Plug receptacle for rear attachments, 7-pin

#### Other

- Reversing alarm
- Combination case with warning triangle and first-aid kit
- Tool box
- Set of tools
- Fully automatic central lubrication unit
- Custommade paint finish
- Hand lever grease gun
- Lifting arm damping

- Drive interlock (operation via coded ignition switch key)
- Cardan shaft protection
- Bio-hydraulic oil (HLP Synt46)
- Fire extinguisher 2 kg
- Isolator switch 2 circuits (disconnection of on-board voltage supply and generator)
- Number plate bracket
- TÜV expert's report for road travel (addendum in vehicle documentation)
- Automatic trailer coupling
- "Hitch" trailer coupling
- Approval as self-propelled work machine with ball hitch

Please note: that product availability can vary from country to country. It is possible that information / products may not be available in your country. More detailed information on engine power can be found in the operator's manual; the stated power may vary due to specific operating conditions. Subject to alterations and errors excepted. Applicable also to illustrations.

Copyright © 2022 Weidemann GmbH.