

4080 Basic Line

Wheel loader



WEIDEMANN
designed for work



4080 Basic Line Technical specifications

Engine data

Manufacturer	Deutz
Engine type	TCD 2.9 L4 S5
Cylinders	4
Engine performance	55.4 (75) kW (hp)
at rpm (max.)	2,300 rpm
Cubic capacity	2,900 cm ³
Cooling system	Water / charge air
Emissions standard level	V
Exhaust after treatment	DPF/DOC

Electrical system

Operating voltage	12 V
Alternator	95 A
Weights	
Operating weight (standard)	6050 kg
Tipping load with bucket - machine straight	3270 kg
Tipping load with bucket - machine articulated	2761 kg
Tipping load with pallet fork - machine straight	3035 kg
Tipping load with pallet fork - machine articulated	2599 kg
Vehicle data	
Axle	PA1422
Cab	Cab
Ground speed (optional)	0- 20 (30) km/h
Speed stages	2
Fuel tank capacity	82 l
Hydraulic oil tank capacity	66 l
Hydraulic system	
External services - Operating pressure	445 bar
Steering hydraulics - Oil flow (optional)	103 (115) l/min
Steering hydraulics - Operating pressure	210 bar
Drive	
Type of drive	Hydrostatic
Traction drive	Universal joint shaft
Noise values	
Guaranteed sound power level LwA	101 dB(A)

Tipping load calculation according to ISO 14397

FSD = operator's canopy

DOC (diesel oxidation catalytic converter)

DPF (diesel particulate filter)

SCR = Selective Catalytic Reduction

Vibrations (weighted average effective value)

Hand-arm vibrations: The hand-arm vibrations are no more than 2.5 m/s²

Whole-body vibrations: This machine is equipped with an operator's seat that meets the requirements of EN ISO 7096:2000.

When the loader is used in accordance with the intended purpose, the whole body vibrations vary from below 0.5 m/s² up to a short-term maximum value.

It is recommended to use the values specified in the table when calculating the vibration values according to ISO/TR

25398:2006. At the same time the actual use conditions have to be taken into consideration.

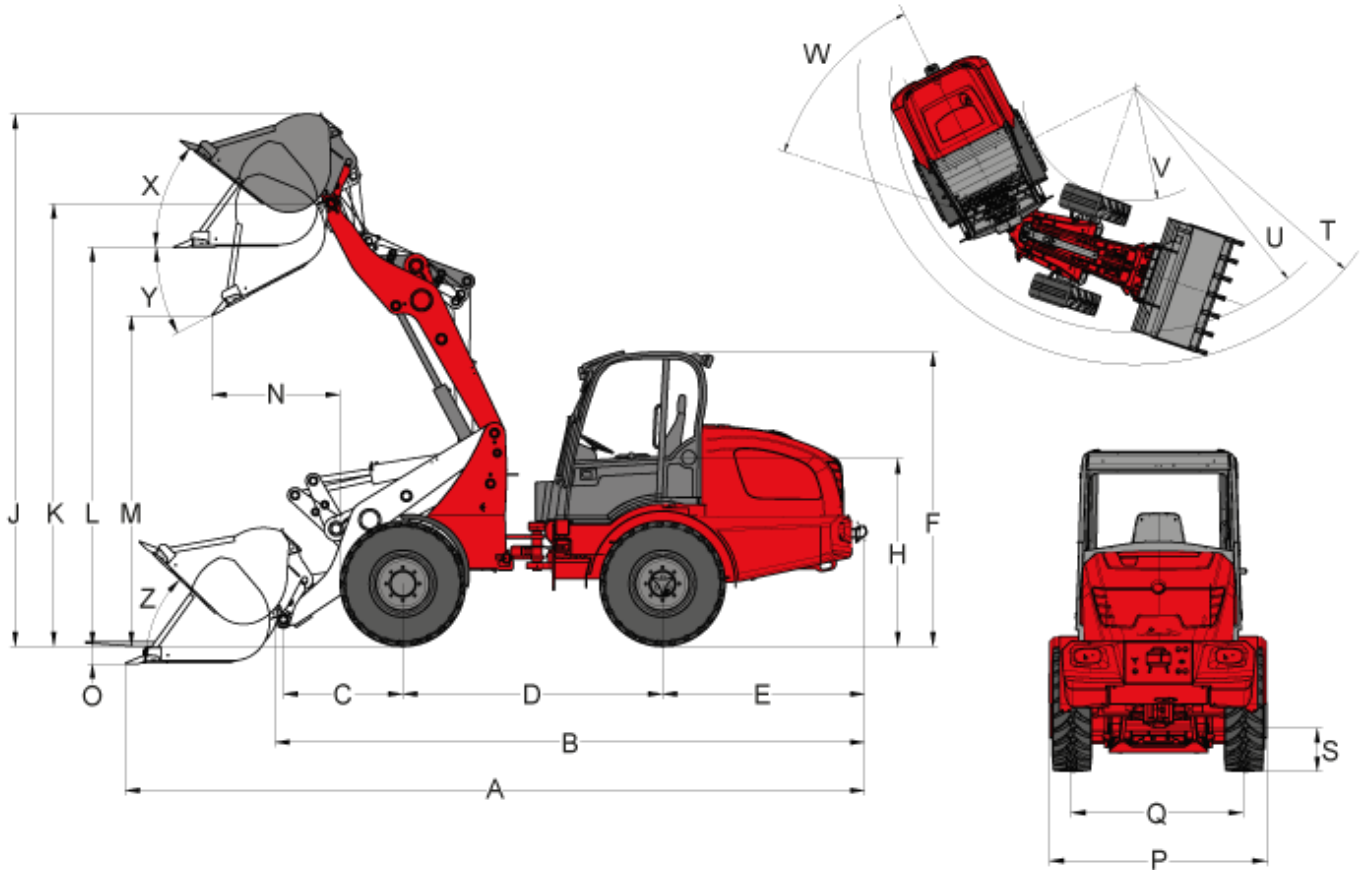
Telehandlers, like wheel loaders, are to be classified by operating weight.

Type of loader	Typical operating conditions	Mean value			Standard deviation (s)		
		$1,4 \cdot a_{w,eqx}$ [m/s ²]	$1,4 \cdot a_{w,eqy}$ [m/s ²]	$a_{w,eqz}$ [m/s ²]	$1,4 \cdot s_x$ [m/s ²]	$1,4 \cdot s_y$ [m/s ²]	s_z [m/s ²]
Compact wheel loader (Operating weight < 4500kg)	Load & carry (loading and transport work)	0.94	0.86	0.65	0.27	0.29	0.13
Wheel loader (Operating weight > 4500kg)	Load & carry (loading and transport work)	0.84	0.81	0.52	0.23	0.2	0.14
	Application in extraction (harsh application conditions)	1.27	0.97	0.81	0.47	0.31	0.47
	Delivery drive	0.76	0.91	0.49	0.33	0.35	0.17
	V-operation	0.99	0.84	0.54	0.29	0.32	0.14

4080 Basic Line

Wheel loader

4080 Basic Line Dimensions



A	Total length	5,760 mm
B	Total length (without bucket)	4,828 mm
C	Axle middle to bucket pivot pin	991 mm
D	Wheelbase	2,215 mm
E	Rear overhang	1,531 mm
F	Height to top of cabin - high-profile	2,660 mm
H	Seat top height	1,590 mm
J	Total working height	4,561 mm
K	Height of bucket pivot (max.)	3,671 mm
L	Load-over height	3,335 mm
M	Dumping height	2,864 mm
N	Operating distance for M	875 mm
O	Digging depth	114 mm
P	Total width	1,742 mm
Q	Track width	1,432 mm
S	Ground clearance	352 mm
T	Maximum radius external	4,242 mm

U	Radius at the outer edge	3,785 mm
V	Inside turning radius	1,931 mm
W	Inclination angle	42 °
X	Rollback angle at max. lifting height	44 °
Y	Dumping angle (max.)	28 °
Z	Rollback angle (on the ground)	38 °

4080 Basic Line

Wheel loader

4080 Basic Line Standard components

Engine

- Deutz TCD 2.9 L4 S5, 55.4 kW / 75 hp, exhaust gas standard Stage V (DPF + DOC)

Outfitting

- PA1422 planetary axle
- Tyres 12.5-20 EM ET0
- Hydraulic rapid-change system for attachments

Steering System

- Hydraulic articulated pendulum steering, 12° oscillating angle

Drive System

- Hydrostatic 4 wheel drive, travel direction can be selected via joystick
- Service brake: Hydrostatic drive system acting on all 4 wheels (wear-free)
- Central service and parking brake in the drive train acting on all 4 wheels
- 100 % differential lock, electric-hydraulically connectable on front and rear axle

Hydraulics

- 3rd control circuit in front electrically proportional in parallel via joystick, including double notch
- Hydraulic oil cooler
- Floating position for lift cylinder

Cab

- Comfort cab with heater and ventilation, laterally tiltable, ROPS / FOPS tested
- Comfort seat with safety belt, fully suspended, weight, back and horizontal adjustment
- Hydraulically controlled joystick with motion direction control and integrated touch button for differential lock
- Working lights, 2 front and 2 rear
- Operating hour meter
- Fuel display
- Adjustable steering wheel

Miscellaneous

- Lighting equipment according to Road Traffic Regulations
- Bucket status display
- Self-recovery coupling

4080 Basic Line

Wheel loader

4080 Basic Line Options

Operator's cab

- Storage box with bottle holder (left next to the operator's seat)
- Radio-ready (antenna, speaker)
- Complete radio kit
- Air-conditioning system
- Protective grating for front window
- Cab plug receptacle 230 V (connection line max. 2000 W), Function is active only when the engine pre-heater is connected to the 230V grid

Operator Seat

- Seat fabric; heated seat (MSG 85)
- Seat fabric; air cushioned (MSG 95AL/722)
- Seat fabric; air cushioned; heated seat (MSG 95AL/732)

Lighting

- MEGA work lights, 2 front, 2 rear
- LED work lights, 2 front, 2 rear
- Rotating beacon (yellow), (must comply with national specifications!)

StVZO - Equipment

- Individual operating permit < 25 km/h
- Individual operating permit > 25 km/h
- Number plate bracket

Engine

- Manual throttle
- Engine pre-heater (coolant) + hydraulic oil pre-heater 230 V

Drive / Axles

- 30 km/h (speed increase)
- Hand inching (creep speed controller)
- Mud flaps, front (attached to the mud guard)

Loader Unit

- Load arm damping
- Lowering brake valve (hose burst valve for lift and tipping cylinders)

Quickhitch plates

- Euro hydraulic
- SkidSteer hydraulic
- SMS hydraulic
- Kramer hydraulic
- Volvo TPV hydraulic

Front Hydraulics

- Unpressurised reverse travel, front (including oil leakage pipe)
- High flow single-acting performance hydraulics (115 l/min), including unpressurised reverse travel and additional hydraulic oil cooler
- 3rd control circuit, electrically, proportionally, serial
- 4th additional control circuit electrically proportional in parallel
- Additional hydraulic oil cooler

Rear Hydraulics

- Unpressurised rear return line
- A hydraulic connection in rear is dual-acting via reversing valve (l/min like 3rd front control circuit), (3rd control circuit front or rear)
- A rear hydraulic connection (51 l/min) dual acting (two couplings), including separate control valve, operation Via switch (1 - 0 - 2) in joystick console
- Two rear hydraulic connections (51 l/min) double-acting (four couplings) including separate control valve operation: 1 DW connection through the switch (1 - 0 - 2), 1 DW connection through the button (1 - 0 - 2), (These connections can be operated at the same time)

Bio-hydraulic oil

- Panolin HLP Synt46 (bio-hydraulic fluid (oil))

Electrical connections in front

- Front plug receptacle, 7-pole for lighting front attachments
- Outlet in front, 3-pole for dual function (operation: Via 2 touch buttons on joystick; 1st function momentary, 2nd function latching)
- Outlet in front, 3-pole for dual function (operation: Via 2 touch buttons on joystick; 1st function latching, 2nd function momentary)
- Outlet in front, 3-pole for dual function (operation: Via 2 touch buttons on joystick; 1st function momentary, 2nd function momentary)
- Outlet in front, 3-pole for dual function (operation: Via 2 touch buttons on joystick; 1st function latching, 2nd function latching)

Electrical connections in rear

- Socket at rear, 7-pole for lighting rear attachments
- Triple-pole plug receptacle in rear (operation: Via switch (1 - 0 - 2) in joystick console)

Additional Weight

- Ballast weight floor plate (118 kg)

Safety options

- Reversing warning (audible)
- Drive interlock (operation via coded ignition switch key)

Miscellaneous

- Circuit breaker for 2 circuits (disconnecting on-board voltage supply and alternator from the battery via 2 circuits)
- Hand lever grease gun
- Combination bag (warning triangle / first aid kit)
- Set of tools
- Tool box
- Fully automatic central lubrication unit

Custom-made paint finish

- Single colour RAL custom paint finish - instead of Weidemann red
- Multicolour RAL custom paint finish

Coupling and retrieval devices

- Automatic trailer coupling

Self-propelled work machine with trailer coupling

- Automatic trailer coupling

Please note: that product availability can vary from country to country. It is possible that information / products may not be available in your country. More detailed information on engine power can be found in the operator's manual; the stated power may vary due to specific operating conditions. Subject to alterations and errors excepted. Applicable also to illustrations.
Copyright © 2022 Weidemann GmbH.