

2080

Wheel loader



WEIDEMANN
designed for work



2080 Technical specifications

Engine data Standard

Manufacturer	Deutz
Engine type	TD 2.9 L4 S5
Cylinders	4
Engine performance	45 (61) kW (hp)
at rpm (max.)	2300 rpm
Cubic capacity	2,900 cm ³
Cooling system	Water
Emissions standard level	V
Exhaust after treatment	DPF / DOC

Engine data Optional

Manufacturer	Deutz
Engine type	TCD 2.9 L4 S5
Cylinders	4
Engine performance	55.4 (75) kW (hp)
at rpm (max.)	2300 rpm
Cubic capacity	2,900 cm ³
Cooling system	Water / Charge air
Emissions standard level	V
Exhaust after treatment	DPF / DOC
Electrical system	
Operating voltage	12 V
Alternator	95 A
Weights	
Operating weight (standard)	4200 / 4300* kg
Tipping load with bucket - machine straight	3020 / 3320* kg
Tipping load with bucket - machine articulated	2.494/3.113* kg
Tipping load with pallet fork - machine straight	2511 / 2726* kg
Tipping load with pallet fork - machine articulated	2.173/2.662* kg
Vehicle data	
Axle	PA 1200
Cab	Cab
Ground speed (optional)	0 - 20 (28) km/h
Speed stages	2
Fuel tank capacity	65 l
Hydraulic oil tank capacity	50 l
Hydraulic system	
External services - Operating pressure	450 bar
Steering hydraulics - Oil flow (optional)	56 (63-116) l/min
Steering hydraulics - Operating pressure	210 bar
Drive	
Type of drive	Hydrostatic
Traction drive	Universal joint shaft
Noise values	
Average sound power level LwA	99.3 dB(A)
Guaranteed sound power level LwA	101 dB(A)
Specified sound pressure level LpA	78 dB(A)

* Values with optional Deutz engine
tipping load calculation according to ISO 14397

Vibrations (weighted average effective value)

Hand-arm vibrations (HAV): The hand-arm vibrations are no more than 2.5 m/s²

Whole body vibrations: This machine is equipped with a driver's seat that meets the requirements of EN ISO 7096:2000.

When the loader is properly used, the whole body vibrations vary from below 0.5 m/s² up to a short-term maximum value.

It is recommended to use the values specified in the table when calculating the vibration values according to ISO/TR 25398:2006. At the same time the actual use conditions have to be taken into consideration.

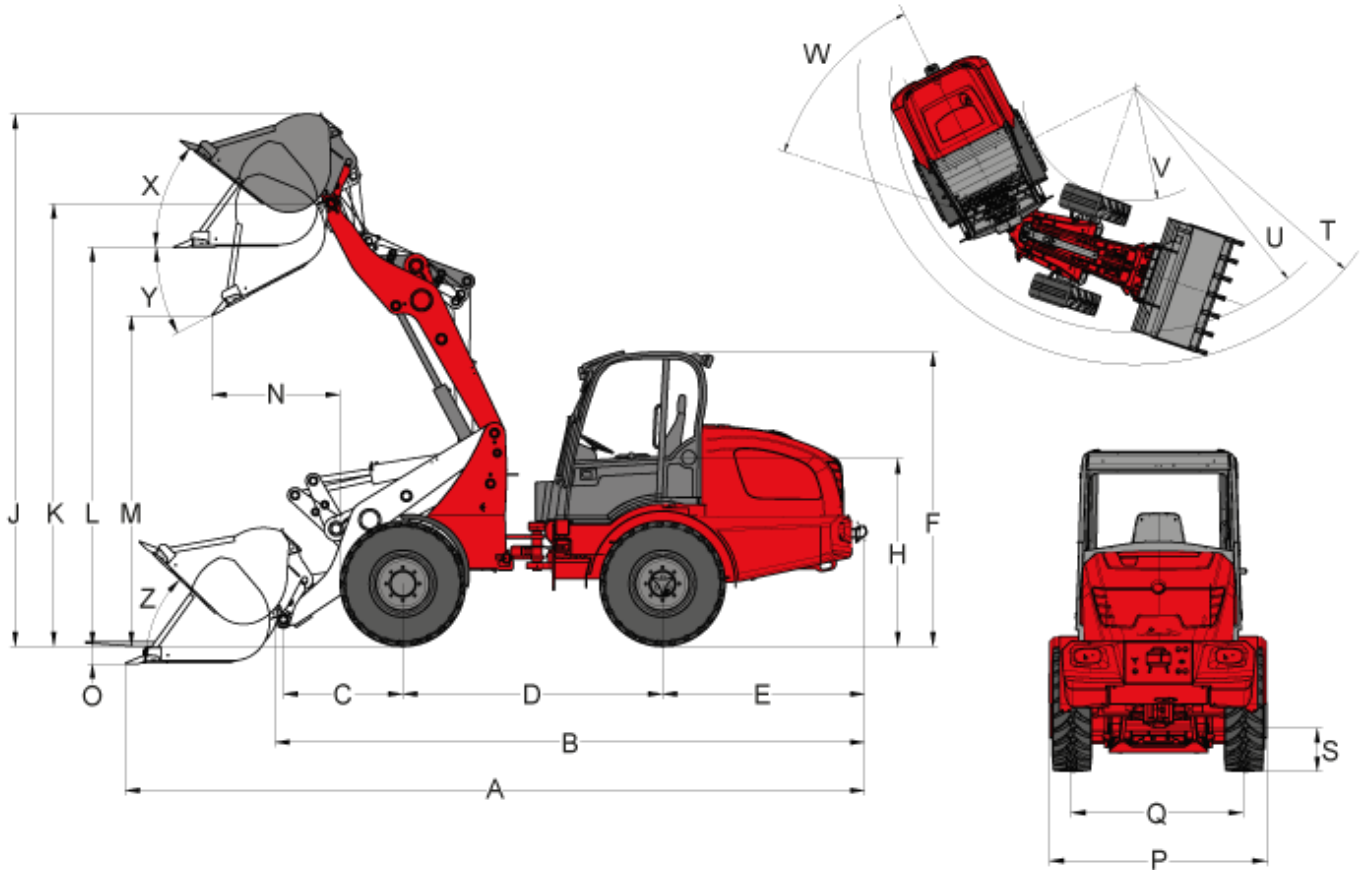
Telescopic loaders, like wheel loaders, are to be classified by operating weight.

Type of loader	Typical operating conditions	Average value			Standard deviation (s)		
		1.4*a _{w,eqx} [m/s ²]	1.4*a _{w,eqy} [m/s ²]	a _{w,eqz} [m/s ²]	1.4*s _x [m/s ²]	1.4*s _y [m/s ²]	s _z [m/s ²]
Compact wheel loader (operating weight < 4,500 kg)	Load & carry (load and transport work)	0.94	0.86	0.65	0.27	0.29	0.13
Wheel loader (operating weight > 4,500 kg)	Load & carry (load and transport work)	0.84	0.81	0.52	0.23	0.2	0.14
	Application in extraction (harsh application conditions)	1.27	0.97	0.81	0.47	0.31	0.47
	Transfer drive	0.76	0.91	0.49	0.33	0.35	0.17
	V-operation	0.99	0.84	0.54	0.29	0.32	0.14

2080

Wheel loader

2080 Dimensions



A	Total length	5,037 mm
B	Total length (without bucket)	4,281 mm
C	Axle middle to bucket pivot pin	675 mm
D	Wheelbase	2,045 mm
E	Rear overhang	1,516 mm
F	Height to top of cabin - low-profile	2,359 mm
F	Height to top of cabin - high-profile	2,535 mm
H	Seat top height	1,429 mm
J	Total working height	3,828 mm
K	Height of bucket pivot (max.)	3,239 mm
L	Load-over height	2,950 mm
M	Dumping height	2,509 mm
N	Operating distance for M	177 mm
O	Digging depth	62 mm
P	Total width	1,410 mm
Q	Track width	1,113 mm
S	Ground clearance	270 mm

T	Maximum radius external	3,523 mm
U	Radius at the outer edge	3,316 mm
V	Inside turning radius	1,727 mm
W	Inclination angle	45 °
X	Rollback angle at max. lifting height	52 °
Y	Dumping angle (max.)	39 °
Z	Rollback angle (on the ground)	45 °

2080

Wheel loader

2080 Standard components

Motor

- Deutz TD 2.9 L4 S5 (45 kW / 61 HP), Stage V

Drive system

- PA1200 planetary axle
- Hydrostatic all-wheel drive, travel direction can be selected via joystick
- Service brake: Hydrostatic drive system acting on all 4 wheels (wear-free)
- Central service and parking brake in the drive train acting on all 4 wheels
- 100% differential lock, electric-hydraulically connectable on front and rear axle
- Tires 11.5 / 80 - 15.3 AS ET40

Steering system

- Hydraulic articulated pendulum steering, 12° oscillating angle

Hydraulics

- 3rd control circuit in front electrically proportional in parallel via joystick
- Hydraulic oil cooler
- Floating position for lift cylinder

Driver's Cabin

- Comfort cabin with heater and fan, laterally tiltable, roll-over protective structure / FOPS-tested ("low" cabin height 2359 mm)
- Comfort seat with safety belt, fully suspended, weight, back and horizontal adjustment
- Hydraulic pilot operated joystick with direction control switch and integrated touch button for differential lock
- Adjustable steering wheel

Other

- Working lights (2 front, 2 rear)
- Operating hour meter
- Battery circuit breaker
- Fuel display
- Hydraulic quick-change system for attachments
- Toolbox in the vehicle rear
- Bucket status display
- Self-recovery coupling
- Lighting display according to Road Traffic Regulations

2080

Wheel loader

2080 Options

Motor

- Deutz TCD 2.9 L4 S5 (55,4 kW / 75 PS), Stage V
- Engine pre-heater + hydraulic oil pre-heater 230 V

Drive system

- Hand inching (creep speed controller)
- Speed increase to 28 km/h
- Load arm dampening

Driver's Cabin

- Comfort cabin with heater and fan, laterally tiltable, roll-over protective structure / FOPS-tested ("high" cabin height 2535 mm)
- Air-cushioned comfort seat (fabric)
- Heated seat
- Air-conditioning system
- Cabin plug receptacle 230 V

Lighting

- MEGA working lights (2 front, 2 rear)
- LED working lights (2 front, 2 rear)
- Rotating beacon

Hydraulics

- Unpressurised reverse travel (front / rear)
- Work hydraulics of large pump (63 l/min)
- Work hydraulics of large pump (70 l/min)
- Work hydraulics of large pump (74 l/min)
- High flow single-acting performance hydraulics (100 l/min), including unpressurised reverse travel and additional hydraulic oil cooler
- 3rd control circuit, electrically, proportionally, serial
- 4th additional control circuit electrically proportional in parallel
- Additional hydraulic oil cooler
- Dual-acting hydraulic connection in rear (30 or 51 l/min) proportional (two couplings) via reversing valve
- Dual-acting hydraulic connection in rear (30 or 51 l/min) (two couplings), including separate steering valve
- 2x dual-acting hydraulic connection in rear (30 or 51 l/min) (four couplings), including separate steering valve

Electrical connections

- Front plug receptacle, 7-pole for lighting front attachments
- Front plug receptacle, 3-pole (dual function)
- Plug receptacle for rear attachments, 7-pin
- Triple-pole plug receptacle in rear

Other

- Radio
- Reversing warning device (acoustic)
- Lowering brake valve
- Combination case with warning triangle and first-aid kit
- Tool kit

- Fire extinguisher 2kg
- Counterweight floor plate
- Automatic trailer coupling
- Approval as self-propelled work machine with AHK*
- Fully automatic central lubrication unit
- Custommade paint finish
- Hand lever grease gun
- Registration plate mounting
- TÜ expert's report (addendum in vehicle documentation)

* Trailer coupling

Please note: that product availability can vary from country to country. It is possible that information / products may not be available in your country. More detailed information on engine power can be found in the operator's manual; the stated power may vary due to specific operating conditions. Subject to alterations and errors excepted. Applicable also to illustrations.
Copyright © 2022 Weidemann GmbH.