

# LEON

## Parts Manual



## “8 Way” Pull Blade Scraper GZ300 Model

### LEON'S MFG. COMPANY INC.

P.O Box 5002

135 York Road East

Yorkton, Saskatchewan

Canada

S3N3Z4

1-800-667-1581

Fax: 306-782-1884

Email: [sales@leonsmfg.com](mailto:sales@leonsmfg.com)

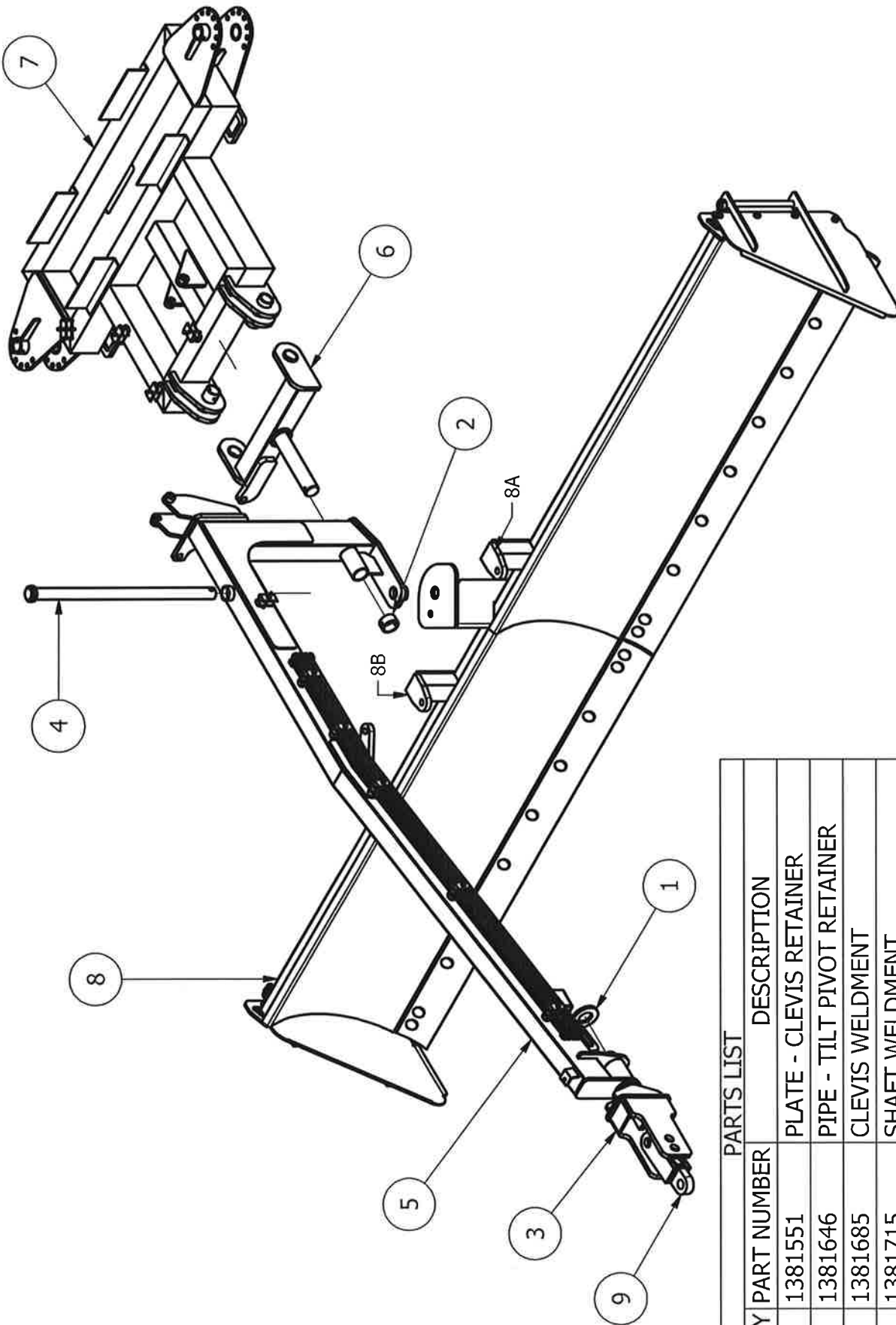
Website: [www.leonsmfg.com](http://www.leonsmfg.com)

## **PARTS - TABLE OF CONTENTS**

WELDMENT ASSEMBLY	1
MAIN ASSEMBLY	2
BLADE ATTACHMENTS ASSEMBLY	4
GREASE LOCATIONS	6
HYDRAULIC LINES	7
HYDRAULIC CYLINDERS	8
GZ SCRAPER AXLE/HUBS	13

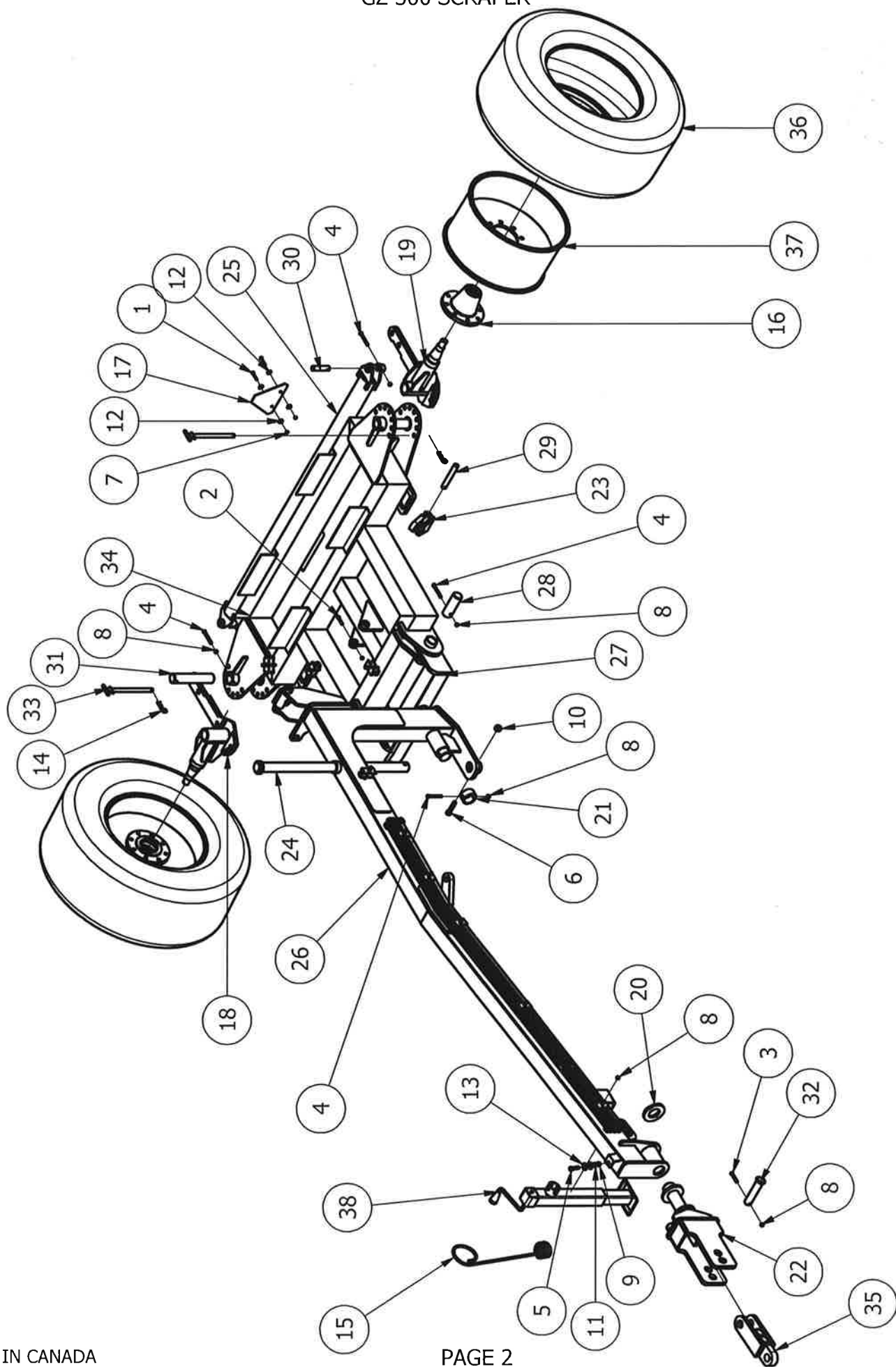
**NOTE:** THIS MANUAL APPLIES TO ALL MODELS MANUFACTURED IN 2013 AND LATER.

GZ 300 SCRAPER - WELDMENTS



PARTS LIST		DESCRIPTION
ITEM	QTY	PART NUMBER
1	1	1381551
		PLATE - CLEVIS RETAINER
2	1	1381646
		PIPE - TILT PIVOT RETAINER
3	1	1381685
		CLEVIS WELDMENT
4	1	1381715
		SHAFT WELDMENT
5	1	1381771
		HITCH FRAME WELDMENT
6	1	1381774
		TILT PIVOT WELDMENT
7	1	1381797
		REAR FRAME WELDMENT
8	1	1381823
		BLADE WELDMENT 16 FT
		1381825
		BLADE WELDMENT 14 FT
		1381828
		BLADE WELDMENT 12 FT
9	1	1381909
		SWIVEL WELDMENT

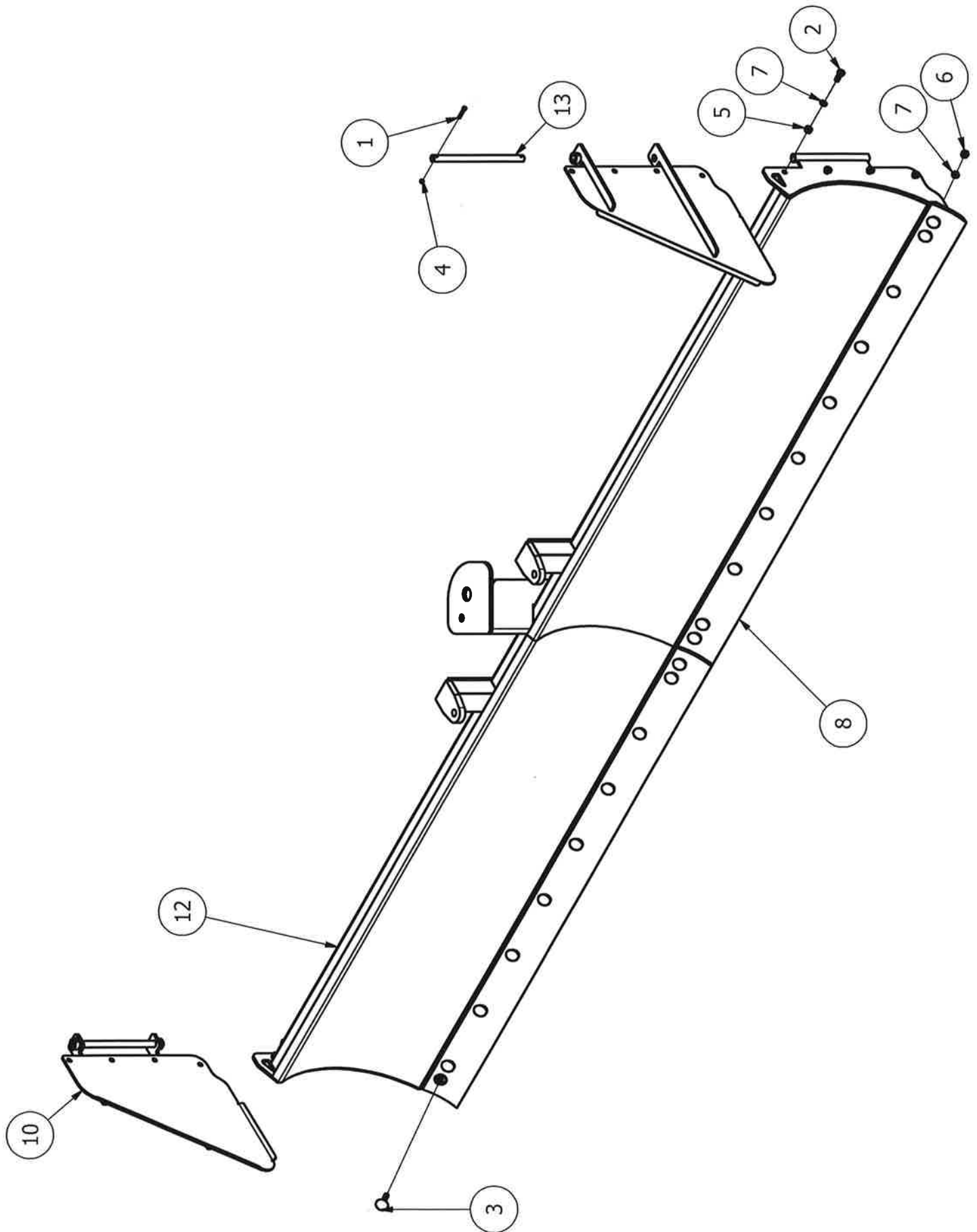
GZ 300 SCRAPER



GZ 300 SCRAPER

PARTS LIST			
ITEM	QTY	PART NUMBER	DESCRIPTION
1	2	1101950	5/16" X 1" UNC GR. 5 PLATED HEX BOLT
2	2	1101955	5/16" X 2 1/2" UNC GR. 5 PLATED HEX BOLT
3	1	1102004	3/8" X 2 1/2" UNC GR. 5 PLATED HEX BOLT
4	7	1102006	3/8" X 3 1/2" UNC GR. 5 PLATED HEX BOLT
5	1	1102053	1/2" X 2" UNC GR. 5 PLATED HEX BOLT
6	1	1102104	5/8" X 3" UNC GR. 5 PLATED HEX BOLT
7	6	1102521	5/16 UNC HEX LOCK NUT GR.5 PLATED
8	18	1102526	3/8" UNC HEX NYLOCK. NUT GR.5 PLATED
9	1	1102535	1/2" UNC HEX NUT GR.5 PLATED
10	1	1102542	5/8" UNC HEX LOCKNUT GR.5 PLATED
11	1	1102592	1/2" SPLIT SPRING LOCK WASHER, PLATED
12	4	1102608	5/16" FLAT WASHER, PLATED
13	2	1102611	1/2" FLAT WASHER, PLATED
14	2	1102774	3/16" HAIR PIN
15	1	1105556	HOLDER - HOSE
16	2	1135420	HUB - H817 COMPLETE ASSEMBLY
17	1	1178885	SIGN, SLOW MOVING VEHICLE
18	1	1381080	AXLE WELDMENT - RIGHT
19	1	1381085	AXLE WELDMENT - LEFT
20	1	1381551	PLATE - CLEVIS RETAINER
21	1	1381646	PIPE - TILT PIVOT RETAINER
22	1	1381685	CLEVIS WELDMENT
23	2	1381712	CYLINDER LUG - WELDMENT
24	1	1381715	SHAFT WELDMENT
25	1	1381718	REAR STEER WELDMENT
26	1	1381771	HITCH FRAME WELDMENT
27	1	1381774	TILT PIVOT WELDMENT
28	2	1381776	PIN - 2 X 5 3/4
29	2	1381777	PIN - 1 X 6 3/4
30	2	1381778	PIN - 1 X 4 1/4
31	2	1381779	PIN - 2 X 10 1/4
32	1	1381784	PIN WELDMENT - SWIVEL
33	2	1381786	PIN WELDMENT-REAR STEERING
34	1	1381797	REAR FRAME WELDMENT
35	1	1381909	SWIVEL WELMENT
36	2	1760495	TIRE
37	2	1760509	RIM
38	1	1784309	HITCH JACK - 7000 LB.

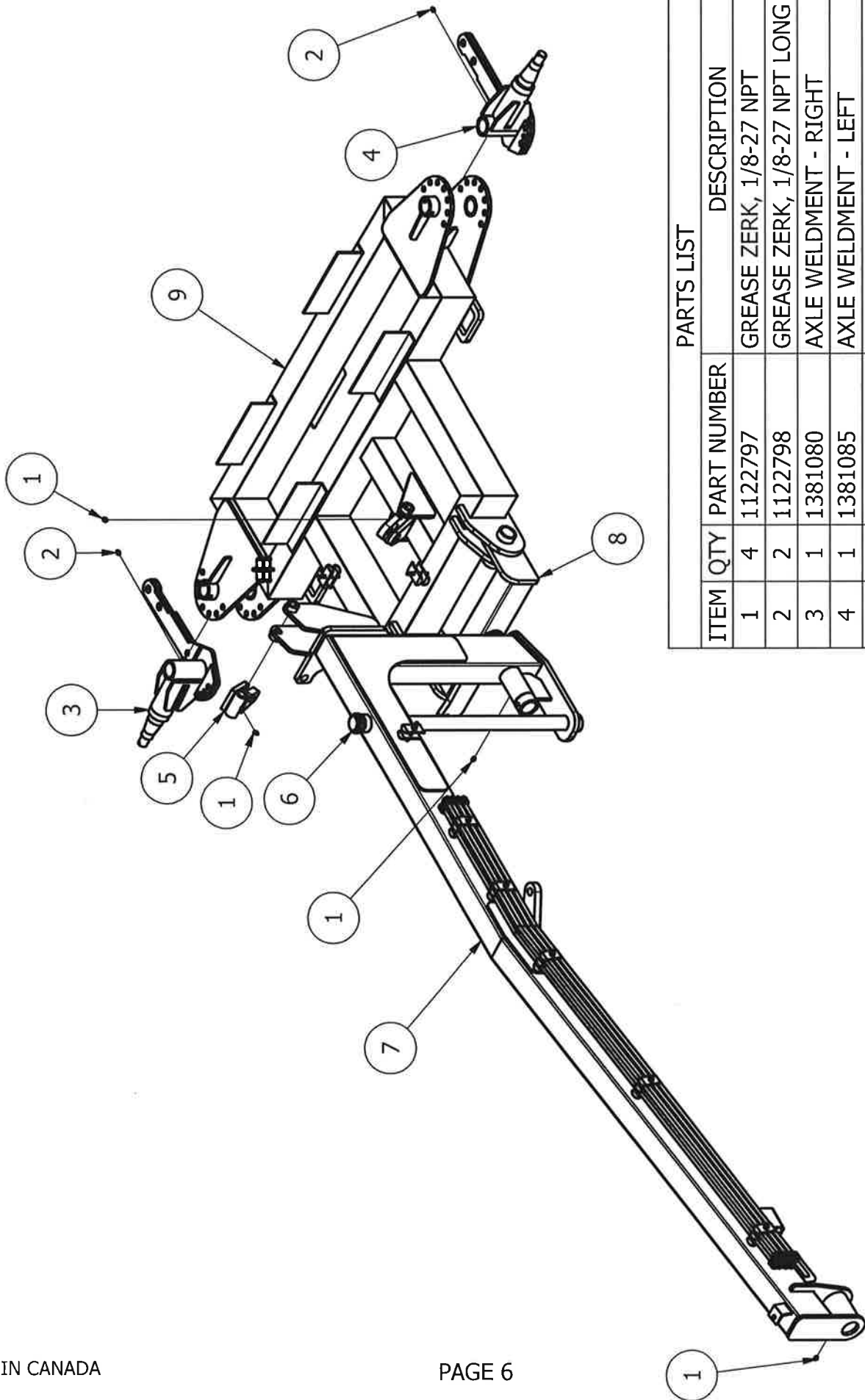
GZ 300 SCRAPER - SIDE PLATES AND CUTTING EDGE



## GZ 300 SCRAPER - BLADE

PARTS LIST			
ITEM	QTY	PART NUMBER	DESCRIPTION
1	2	1101955	5/16" X 2 1/2" UNC GR. 5 PLATED HEX BOLT
2	8	1102100	5/8" X 1 1/2" UNC GR. 5 PLATED HEX BOLT
3	20	1102327	BOLT, PLOW, GRADE 5, 0.625-11 UNC X 2.500Lg
4	2	1102521	5/16 UNC HEX LOCK NUT GR.5 PLATED
5	8	1102540	5/8" UNC HEX NUT GR.5 PLATED
6	20	1102541	5/8" UNC HEX NUT GR.8 PLATED
7	28	1102594	5/8" SPLIT SPRING LOCK WASHER, PLATED
8	2	1162832	CUTTING EDGE - 96"
		1162831	CUTTING EDGE - 84"
		1162830	CUTTING EDGE - 72"
9	2	1317020	BLADE SKID SHOE WELDMENT
10	1	1381813	BOX WELDMENT R - BLADE
11	1	1381816	BOX WELDMENT L - BLADE
12	1	1381823	BLADE WELDMENT 16FT
		1381825	BLADE WELDMENT 14FT
		1381828	BLADE WELDMENT 12FT
13	2	1381866	PIN - 1" X 16 13/16"

GZ 300 SCRAPER - GREASE

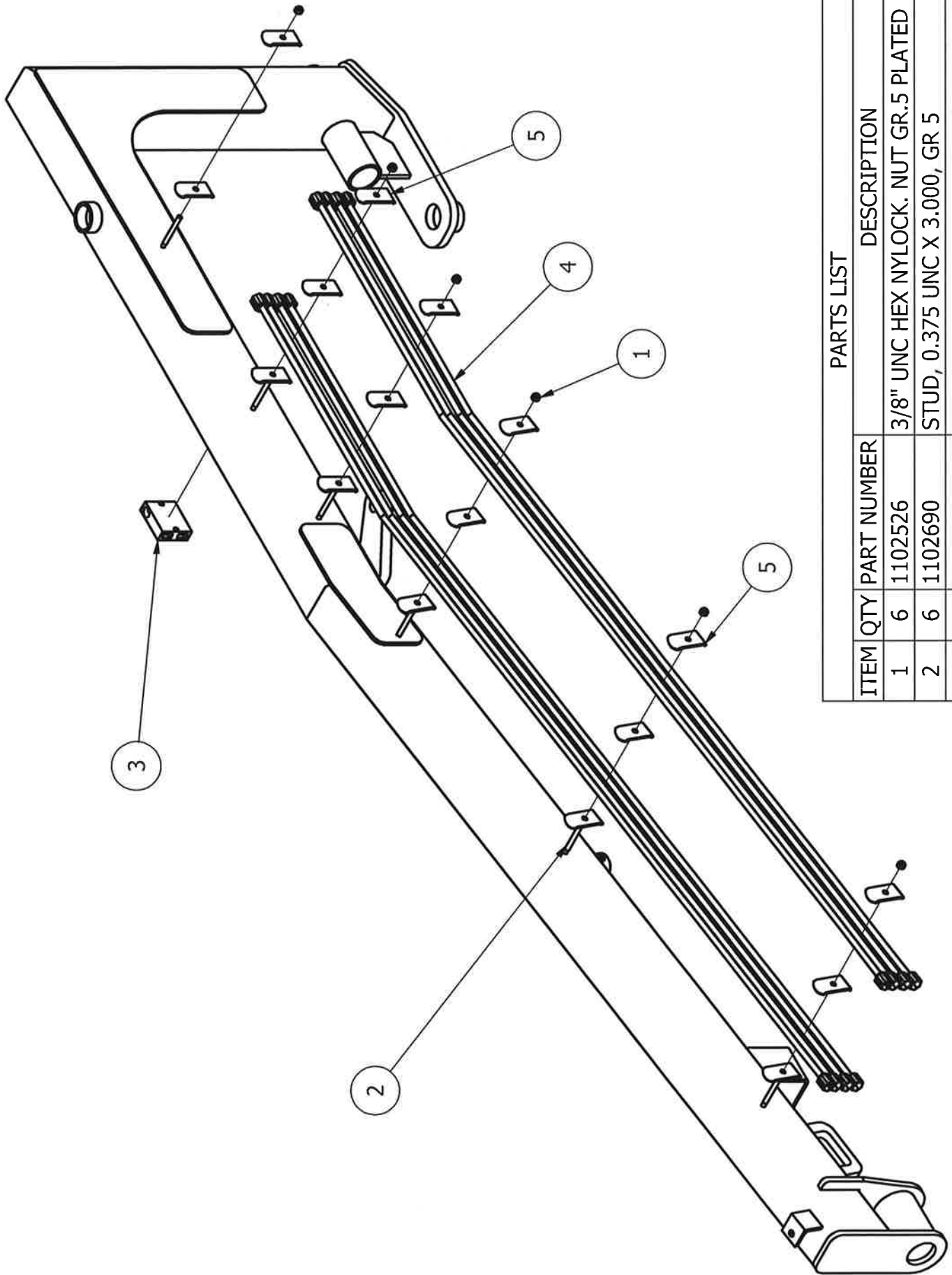


PARTS LIST

ITEM	QTY	PART NUMBER	DESCRIPTION
1	4	1122797	GREASE ZERK, 1/8-27 NPT
2	2	1122798	GREASE ZERK, 1/8-27 NPT LONG BASE
3	1	1381080	AXLE WELDMENT - RIGHT
4	1	1381085	AXLE WELDMENT - LEFT
5	2	1381712	CYLINDER LUG - WELDMENT
6	1	1381715	SHAFT WELDMENT
7	1	1381771	HITCH FRAME WELDMENT
8	1	1381774	TILT PIVOT WELDMENT
9	1	1381797	REAR FRAME WELDMENT



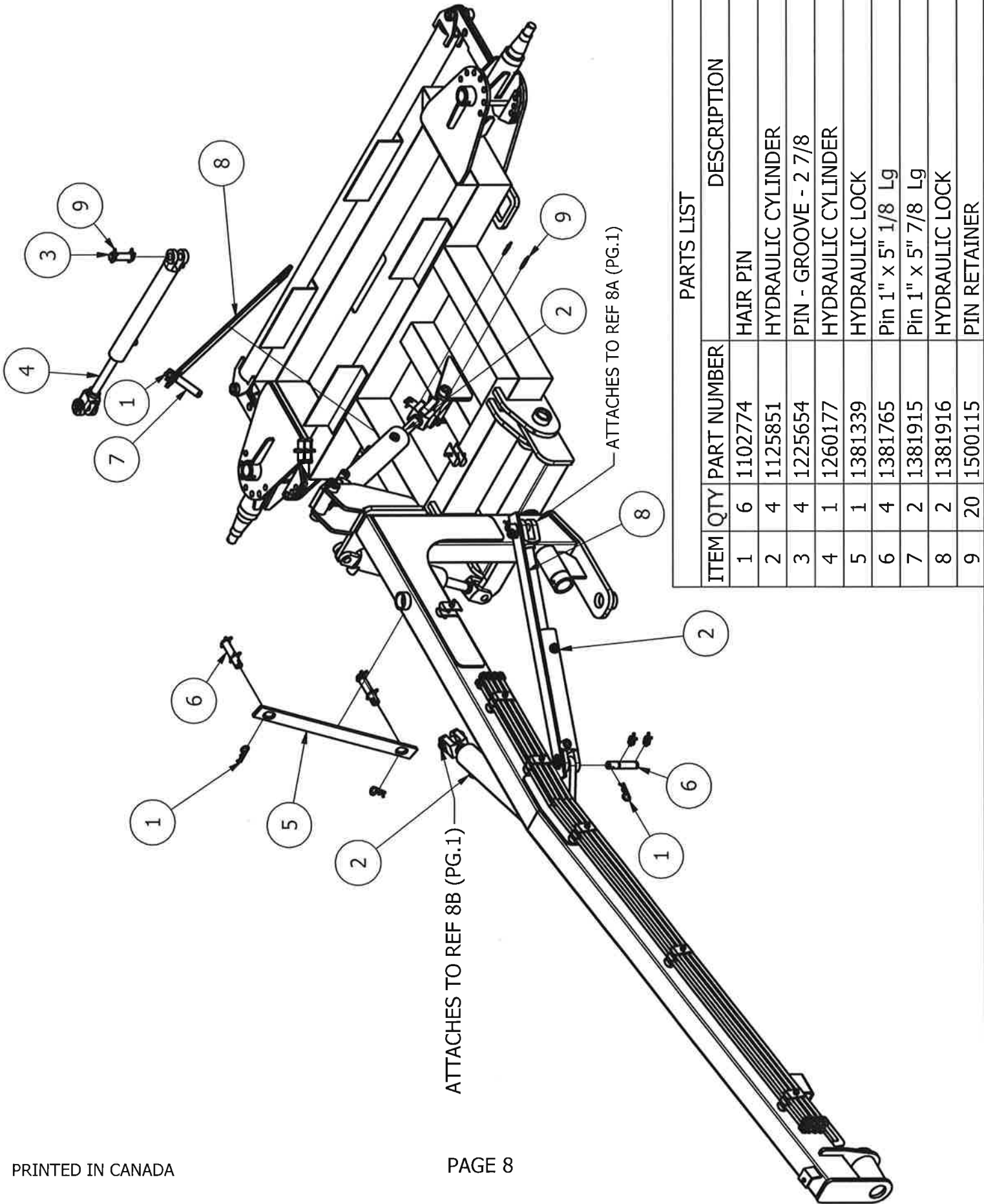
# GZ 300 SCRAPER - HYDRAULIC LINES



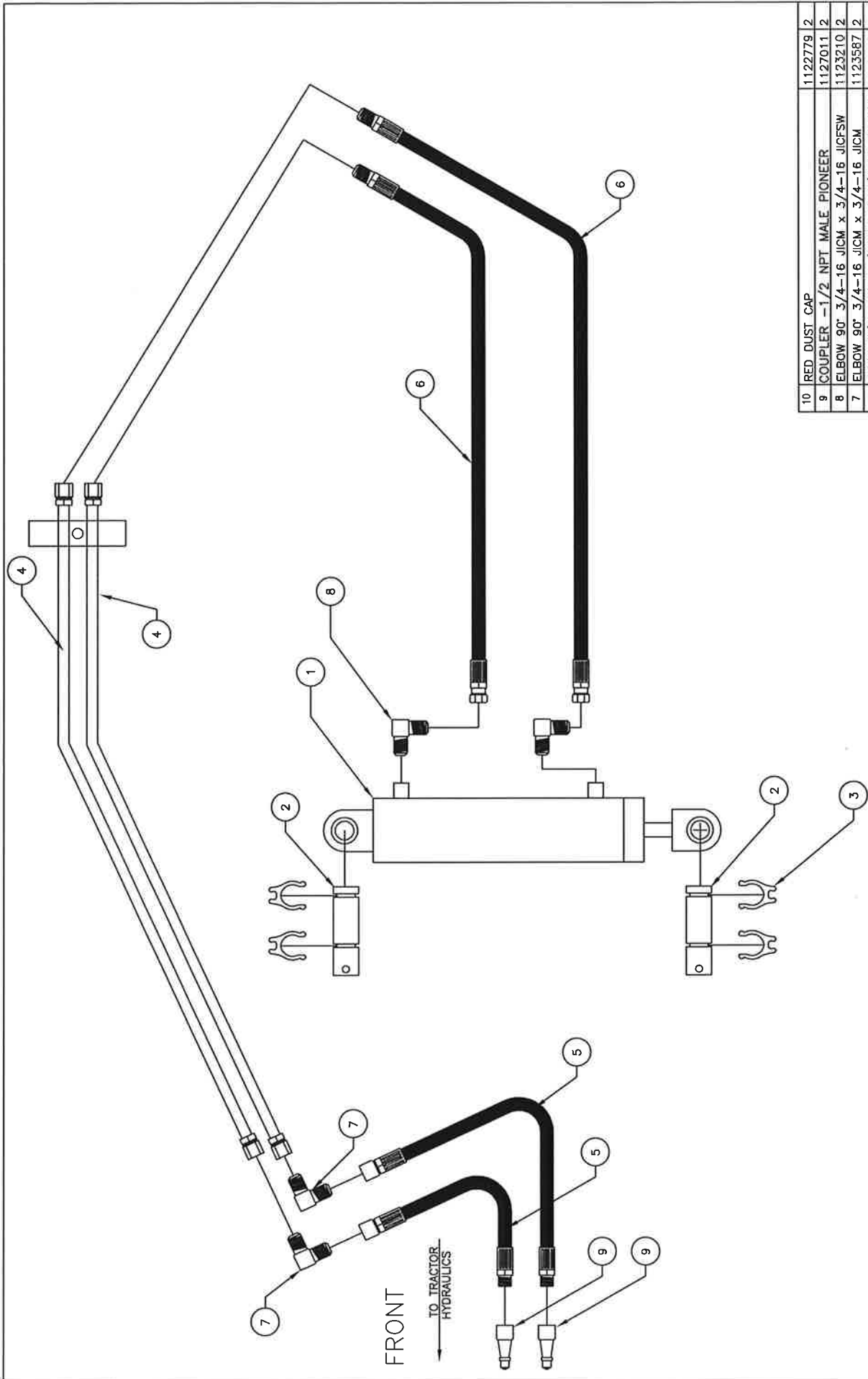
## PARTS LIST

ITEM	QTY	PART NUMBER	DESCRIPTION
1	6	1102526	3/8" UNC HEX NYLOCK. NUT GR.5 PLATED
2	6	1102690	STUD, 0.375 UNC X 3.000, GR 5
3	1	1381130	VALVE, CUSHION RELIEF, CP220-1
4	8	1381761	HYDRAULIC TUBE ASSEMBLY
5	17	1707125	4-LINE PIPE CLAMP

GZ 300 SCRAPER - HYDRAULICS



PARTS LIST		DESCRIPTION	
ITEM	QTY	PART NUMBER	
1	6	1102774	HAIR PIN
2	4	1125851	HYDRAULIC CYLINDER
3	4	1225654	PIN - GROOVE - 2 7/8
4	1	1260177	HYDRAULIC CYLINDER
5	1	1381339	HYDRAULIC LOCK
6	4	1381765	Pin 1" x 5" 1/8 Lg
7	2	1381915	Pin 1" x 5" 7/8 Lg
8	2	1381916	HYDRAULIC LOCK
9	20	1500115	PIN RETAINER



NO.	DESCRIPTION	PART #	QTY
10	RED DUST CAP	1122779	2
9	COUPLER -1/2 NPT MALE PIONEER	1127011	2
8	ELBOW 90° 3/4-16 JICM x 3/4-16 JICFSW	1123210	2
7	ELBOW 90° 3/4-16 JICM x 3/4-16 JICM	1123587	2
6	HOSE-3/8 X 48, 3/4 JICF X 3/4-16 JICFSW	1123613	2
5	HOSE-1/2 X 120, 1/2NPTM X 3/4-16 JICFSW	1125855	2
4	HYDRAULIC TUBE - 1/2 X 92	1381761	2
3	RETAINER CLIP - GROOVE PIN	1500115	4
2	PIN - GROOVE - 1 DIA	1381836	2
1	HYDRAULIC CYLINDER-RL-30L-13.25 STROKE	1125851	1

### MOUNTING INSTRUCTIONS



KIT No. : 1381765

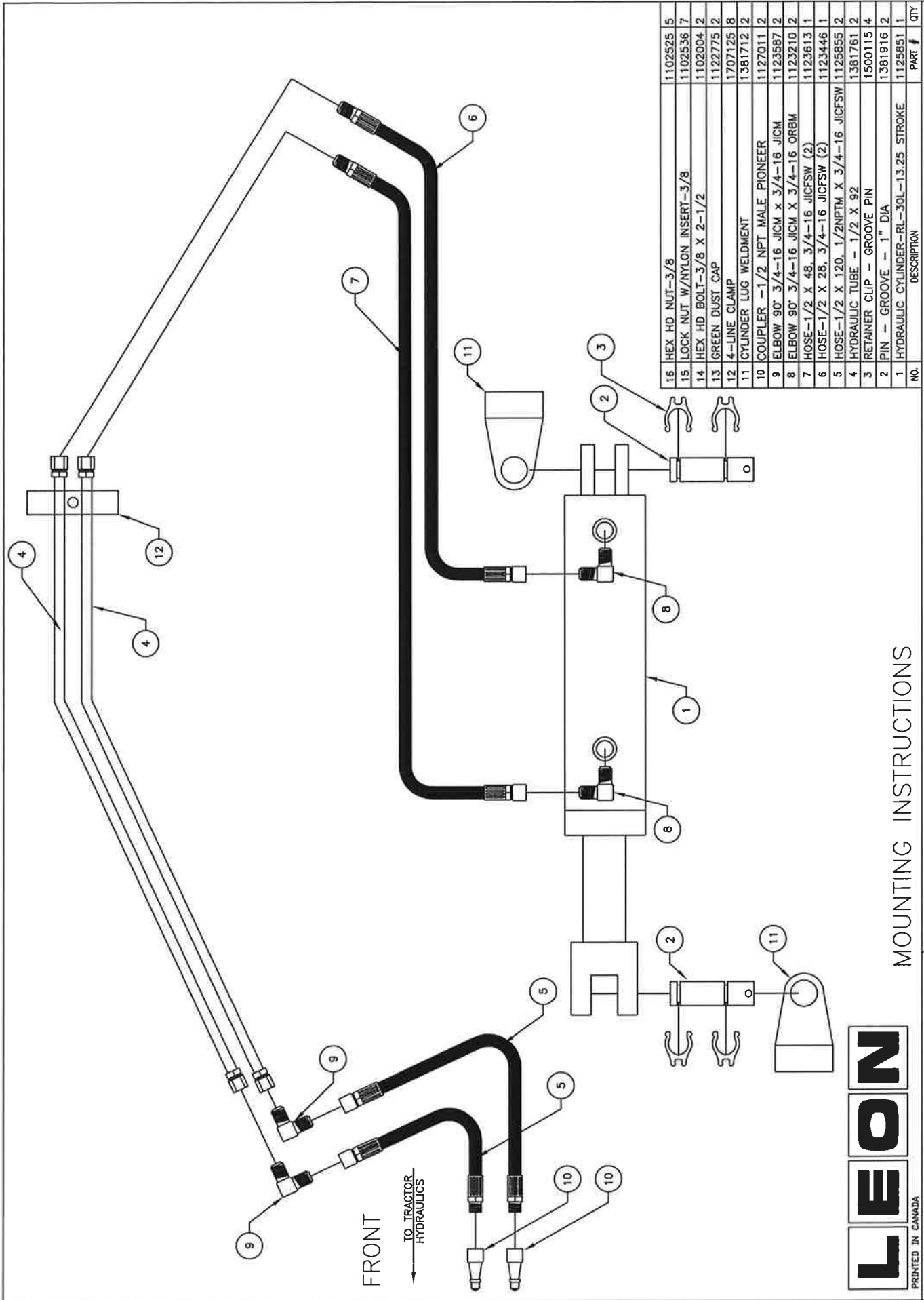
TILT CYLINDER KIT

DOZER : GZ-300-SCRAPER

JULY , 2013

1381765

PAGE 9



PRINTED IN CANADA

### MOUNTING INSTRUCTIONS

NO.	DESCRIPTION	PART #	QTY
16	HEX HD NUT-3/8	1102525	15
15	LOCK NUT W/NYLON INSERT-3/8	1102536	7
14	HEX HD BOLT-3/8 X 2-1/2	1102004	2
13	GREEN DUST CAP	1122775	2
12	4-LINE CLAMP	1707125	8
11	CYLINDER LUG WELDMENT	1381712	2
10	COUPLER -1/2 NPT MALE PIONEER	1122011	2
9	ELBOW 90° 3/4-16 JICM X 3/4-16 JICM	1129587	2
8	ELBOW 90° 3/4-16 JICM X 3/4-16 ORBM	1123210	2
7	HOSE-1/2 X 48, 3/4-16 JICFSW (2)	1123613	1
6	HOSE-1/2 X 28, 3/4-16 JICFSW (2)	1123446	1
5	HOSE-1/2 X 120, 1/2NPTM X 3/4-16 JICFSW	1125855	2
4	HYDRAULIC TUBE - 1/2 X 92	1381761	2
3	RETAINER CLIP - GROOVE PIN	1500115	4
2	PIN - GROOVE - 1" DIA	1381916	2
1	HYDRAULIC CYLINDER-RL-30L-13.25 STROKE	1125851	1

KIT No. : 1381766

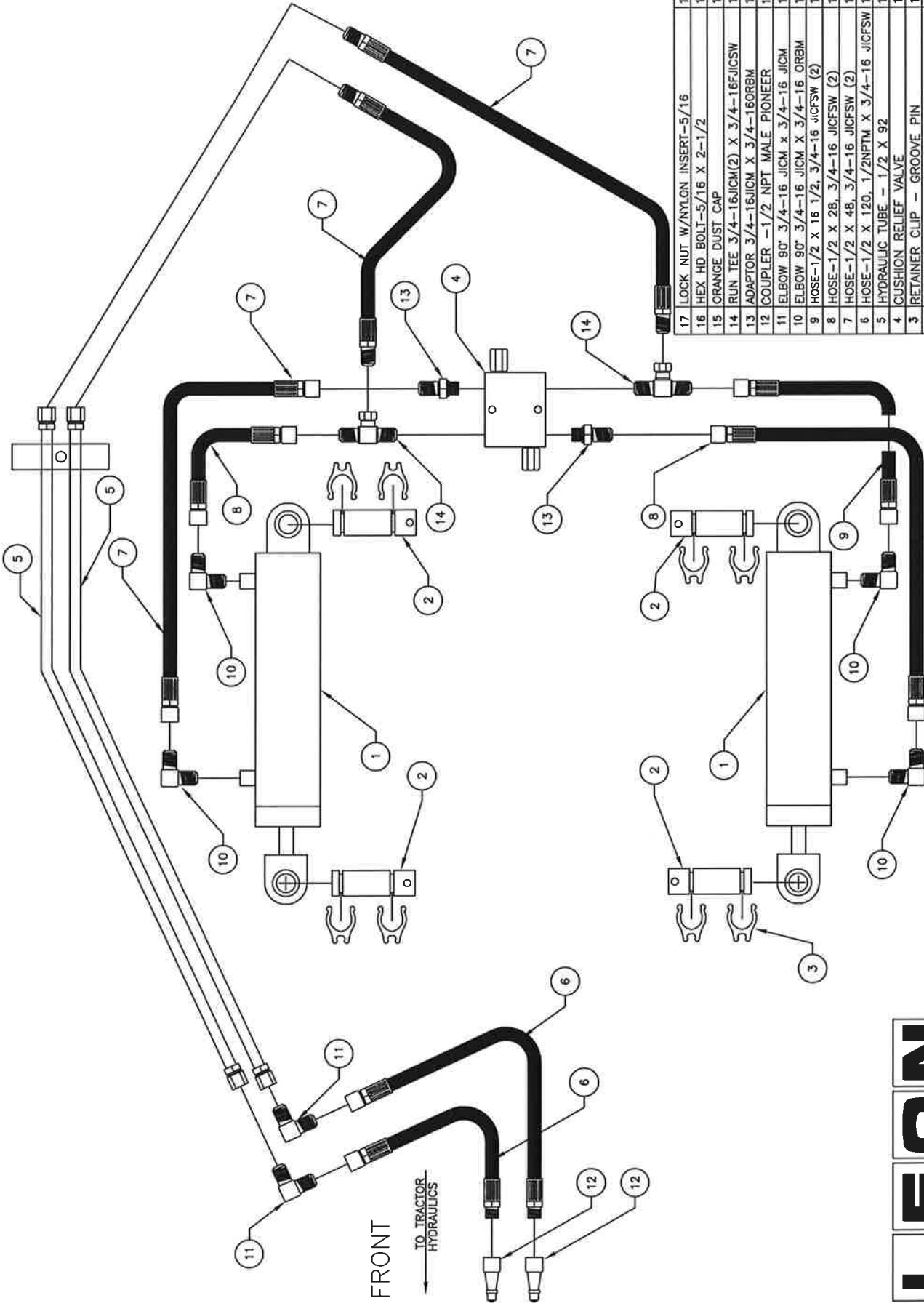
LIFT CYLINDER KIT

DOZER : GZ-300-SCRAPER

JULY 2013

1381766

PAGE 10



MOUNTING INSTRUCTIONS

NO.	DESCRIPTION	PART #	QTY
17	LOCK NUT W/NYLON INSERT-5/16	1102520	2
16	HEX HD BOLT-5/16 X 2-1/2	1101955	2
15	ORANGE DUST CAP	1122871	2
14	RUN TEE 3/4-16JICM(2) X 3/4-16JICSW	1123372	2
13	ADAPTOR 3/4-16JICM X 3/4-16ORB	1123212	2
12	COUPLER -1/2 NPT MALE PIONEER	1127011	2
11	ELBOW 90° 3/4-16 JICM X 3/4-16 JICM	1123587	2
10	ELBOW 90° 3/4-16 JICM X 3/4-16 ORBM	1123210	4
9	HOSE-1/2 X 16 1/2, 3/4-16 JICFSW (2)	1124530	1
8	HOSE-1/2 X 28, 3/4-16 JICFSW (2)	1123446	2
7	HOSE-1/2 X 48, 3/4-16 JICFSW (2)	1123613	3
6	HOSE-1/2 X 120, 1/2NPTM X 3/4-16 JICFSW	1125855	2
5	HYDRAULIC TUBE - 1/2 X 92	1381132	2
4	CUSHION RELIEF VALVE	1381130	1
3	RETAINER CLIP - GROOVE PIN	1500115	8
2	PIN - GROOVE - 1" DIA.	1381836	4
1	HYDRAULIC CYLINDER-RL-30L-13.25 STROKE	1125851	2

KIT No. : 1381767

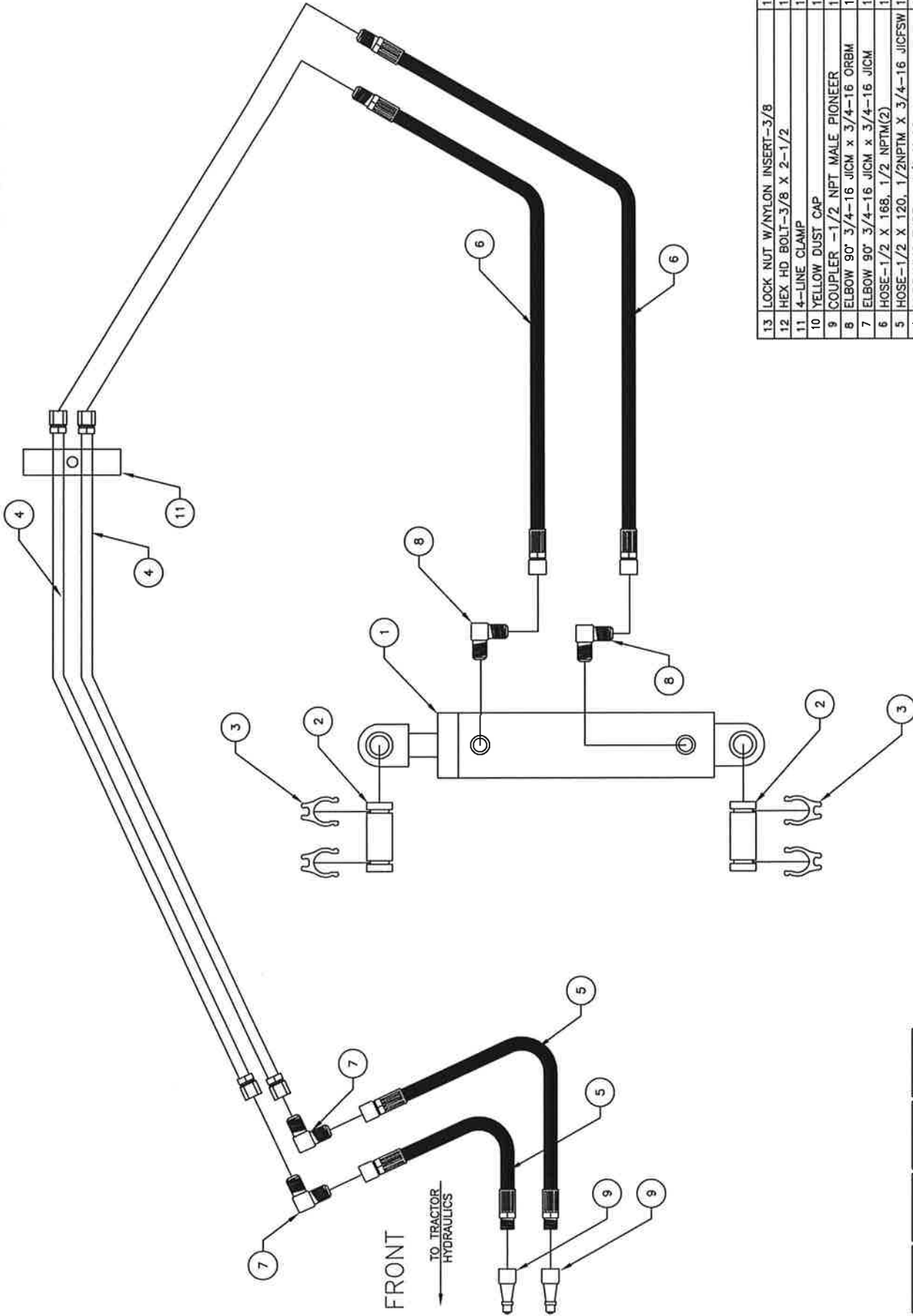
ANGLE CYLINDER KIT

DOZER : GZ-SCRAPER

JULY 2013

1381767

PAGE 11



13	LOCK NUT W/NYLON INSERT-3/8	1102536	2
12	HEX HD BOLT-3/8 X 2-1/2	1102004	2
11	4-LINE CLAMP	1707125	10
10	YELLOW DUST CAP	1122779	2
9	COUPLER -1/2 NPT MALE PIONEER	1127011	2
8	ELBOW 90° 3/4-16 JICM x 3/4-16 ORBM	1123210	2
7	ELBOW 90° 3/4-16 JICM x 3/4-16 JICM	1123587	2
6	HOSE-1/2 X 168, 1/2 NPTM(2)	1123084	2
5	HOSE-1/2 X 120, 1/2NPTM X 3/4-16 JICFSW	1125855	2
4	HYDRAULIC TUBE - 1/2 X 92	1381761	2
3	RETAINER CLIP - GROOVE PIN	1500115	4
2	PIN - GROOVE - 1 DIA	1225654	2
1	HYDRAULIC CYLINDER-2 BORE X 14 STROKE	1260177	1
NO.	DESCRIPTION	PART #	QTY

MOUNTING INSTRUCTIONS



KIT No. : 1381768

STEERING CYLINDER KIT

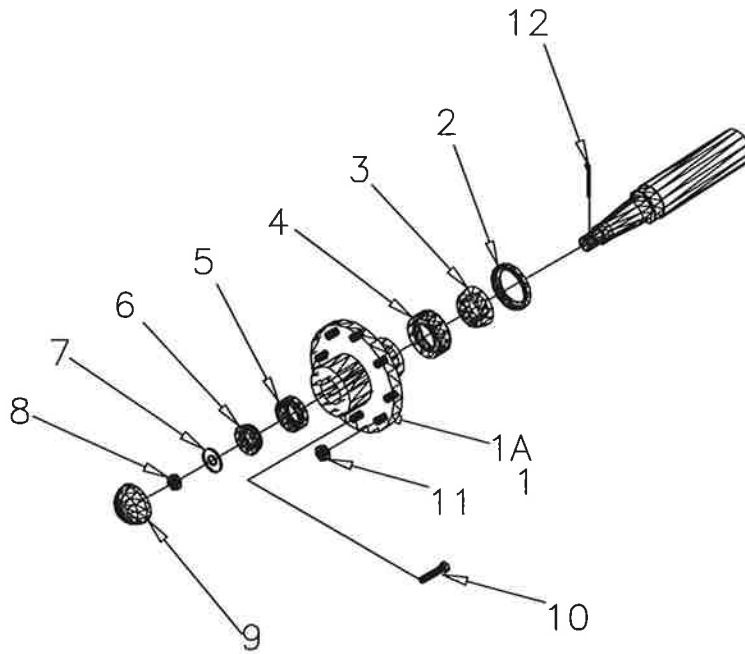
DOZER : GZ-300-SCRAPER

JULY 2013

1381768

PAGE 12

# GZ SCRAPER AXLE / HUB - H817



ITEM	PART NO.	QTY.	DESCRIPTION
1	1135513	1	HUB - H-817 - 8-BOLT
2	1135508	1	SEAL - GREASE - 3"
3	1135506	1	BEARING - INNER CONE
4	1135502	1	BEARING - INNER CUP
5	1135205	1	BEARING - OUTER CUP
6	1135206	1	BEARING - OUTER CONE
7	1135397	1	WASHER - SPINDLE
8	1135398	1	NUT-HEX CASTELLATED-1 1/4-12UNF
9	1135508	1	DUST CAP
10	1102664	1	WHEEL STUD - 5/8 UNF X 2 1/8
11	1135505	1	WHEEL NUT-TAPERED-5/8 UNF
12	1102753	1	COTTER PIN-1/4 X 2 1/2
1A	1135420	1	HUB - COMPLETE ASSEMBLY

**PRINTED IN CANADA – JULY 2013**