

Technical sheet :

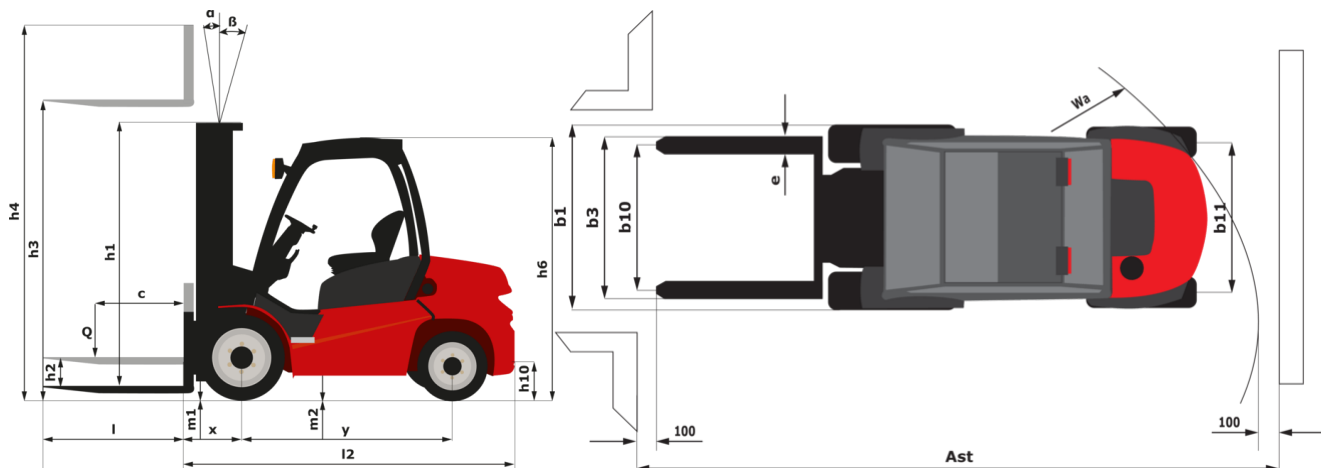
# **MSI 35 3B - FT4**

---



Technical characteristics		Metric	
1.1	Manufacturer		Manitou
1.2	Model Name		MSI 35 3B - FT4
1.3	Power source		Diesel
1.4	Operator type		Sitting
1.5	Max. capacity	Q	3500 kg
1.6	Load centre of gravity	c	500 mm
1.8	Load distance, centre of drive axle to fork	x	630 mm
1.9	Wheelbase	y	1800 mm
Weight			
2.1	Service weight		4845 kg
2.2	Weight on front axle (laden) / rear axle (laden)		7430 kg / 915 kg
2.3	Weight on front axle (Unladen) / rear axle (Unladen)		1730 kg / 3115 kg
Wheels			
3.1	Tyres type		Pneumatic
3.2	Dimensions of front wheels		275/70 R22,5
3.3	Dimensions of rear wheels		7.00x12 14PR
3.5	Number of front wheels / rear wheels		2 / 2
3.5.2	Number of drive wheels		2
3.6	Front wheel gauge	b10	1046 mm
3.7	Rear wheel gauge	b11	1102 mm
Dimensions			
4.1	Tilt of Mast Forward (deg) / Backward (deg)	$\alpha / \beta$	10 / 12
4.12	Height of towing bar (coupling height)	h10	310 mm
4.19	Overall length	l1	4130 mm
4.20	Length to face of forks	l2	3030 mm
4.21	Overall width	b1	1323 mm
4.22	Forks section / width / length	s / e / l	45 mm x 125 mm / 1100 mm
4.23	Fork carriage ISO 2328 (class/form) A/B		3A
4.24	Fork carriage width	b3	1260 mm
4.31	Ground clearance below mast	m1	270 mm
4.32	Ground clearance at centre of wheelbase	m2	260 mm
4.33	Aisle Width for pallets 1000 x 1200 crossways	Ast	4595 mm
4.34	Aisle width for 800 x 1200 pallet lengthways	Ast	4695 mm
4.35	Turning radius	Wa	2635 mm
4.36	Internal turning radius (over tyres)	b13	150 mm
4.8	Seat height/stand height	h7	1025 mm
Performances			
5.1	Travel speed (laden / unladen)		20 km/h / 20 km/h
5.2	Lifting speed (laden / unladen)		0.40 m/s / 0.50 m/s
5.3	Lowering speed (laden / unladen)		0.40 m/s / 0.30 m/s
5.5	Drawbar pull (Laden / Unladen)		2640 daN / 1560 daN
5.7	Gradeability (laden / unladen)		29 % / 29 %
5.10	Service brake		Hydraulic
Engine			
7.1	Engine brand / model		Kubota / V2403 CR TE4
7.2	Engine power according to ISO 1585		48.60 kW
7.3	Rated speed		2700 rpm
7.4	Number of cylinders / Capacity of cylinders		4 - 2434 cm <sup>3</sup>
Miscellaneous			
8.1	Type of drive control		Hydraulic
8.2	Working hydraulic pressure for attachments		190 bar
8.3	Oil flow rate for attachments		45 l/min

## MSI 35 3B - FT4 - Dimensional drawing



## Characteristics of masts and residual capacities

		FVD 30	FVD 33	FVD 35	FVD 37	FVD 40	FVD 45	FVD 50
h2 - Free lift	mm	0.13	0.13	0.13	0.13	0.13	0.13	0.13
h1 - Height mast lowered *	mm	2150000	2300000	2400000	2560000	2750000	3000000	3250000
h3 - Lifting Height	mm	3000	3300	3500	3700	4000	4500	5000
h4 - Height mast extended *	mm	3893	4193	4393	4593	4893	5396	5863
$\alpha / \beta$ - Mast inclination (front / rear)	°	10 / 12	10 / 12	10 / 12	10 / 12	10 / 12	10 / 12	10 / 12
Residual capacity at max height	kg	3500	3500	3500	3500	3400	2900	2700

Free lift triplex		FLT 37	FLT 40	FLT 43	FLT 47	FLT 50	FLT 55	FLT 60	FLT 65	FLT 70	FVD 55	FVD 60
h2 - Free lift	mm	1970	1397	1547	1647	1807	1997	2247	2497	2747	0.13	0.13
h1 - Height mast lowered *	mm	2050	2150	2300	2400	2560	2750	3000	3250	3500	3500	3790
h3 - Lifting Height	mm	3700	4000	4300	4700	5000	5500	6000	6500	7000	5500	6000
h4 - Height mast extended *	mm	4500	4800	5100	5500	5800	6300	6800	7300	7800	6393	6893
$\alpha / \beta$ - Mast inclination (front / rear)	°	10 / 12	10 / 12	10 / 12	10 / 12	10 / 12	10 / 12	10 / 12	10 / 12	10 / 12	10 / 12	10 / 12
Residual capacity at max height	kg	3400	3400	3000	2600	2700	2200	1800	1200			



**Head Office**

B.P. 249 - 430 rue de l'Aubinière

44150 Ancenis Cedex - France

Tel: +33 (0)2 40 09 10 11 - Fax: +33 (0)2 40 09 10 97

[www.manitou.com](http://www.manitou.com)



This publication provides a description of the configuration versions and options for Manitou products, which may differ for equipment. The equipment presented in this brochure may be part of a series, as an option, or it may not be available, depending on the versions. Manitou reserves the right, at any time and without notice, to amend the specifications described and represented. The specifications provided do not bind the manufacturer. For more details, please contact your Manitou agent. This is not a contractually binding document. The presentation of the products is not contractually binding. List of specifications non-exhaustive. The logos as well as the visual identity of the company are owned by Manitou and cannot be used without authorisation. All rights reserved. The photos and diagrams contained in this brochure are only provided for consultation and information purposes.

MANITOU BF SA - Limited company with board of directors - Share capital: 39,668,399 euros - 857 802 508 RCS Nantes