

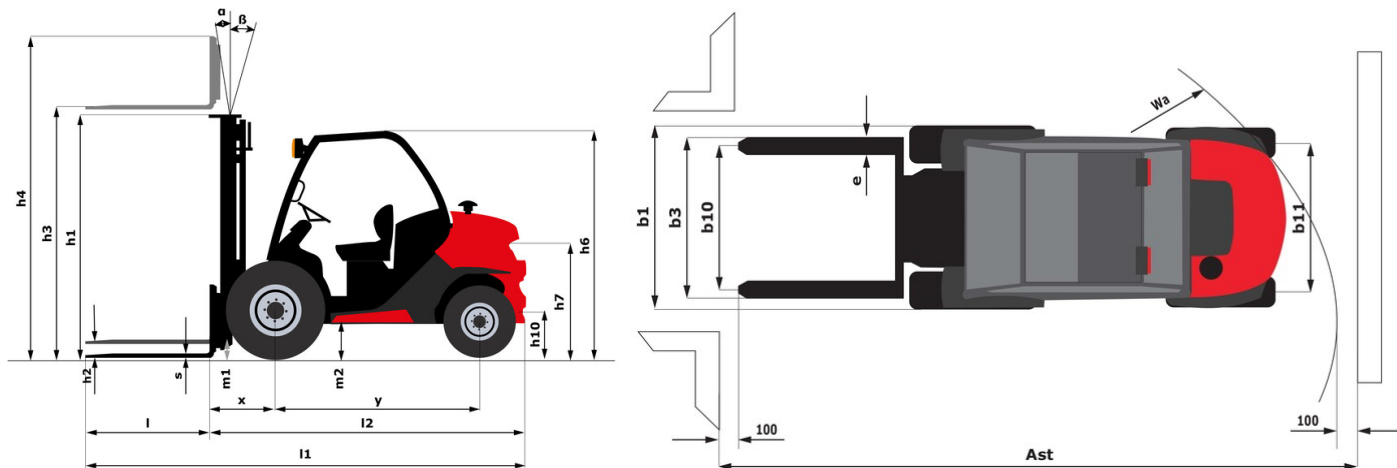
Technical sheet :

# MC 25-4 ST5



| Technical characteristics |  |                  | Metric                               |
|---------------------------|--|------------------|--------------------------------------|
| 1.1                       | Manufacturer   |                  | Manitou                              |
| 1.2                       | Model Name   |                  | MC 25-4 ST5                          |
| 1.3                       | Power source   |                  | Diesel                               |
| 1.4                       | Operator type  |                  | Sitting                              |
| 1.5                       | Max. capacity  | Q                | 2500 kg                              |
| 1.6                       | Load centre of gravity   | c                | 500 mm                               |
| 1.8                       | Load distance, centre of drive axle to fork  | x                | 621 mm                               |
| 1.9                       | Wheelbase  | y                | 1900 mm                              |
| Weight                    |  |                  |                                      |
| 2.1                       | Service weight   |                  | 4290 kg                              |
| 2.2                       | Weight on front axle (laden) / rear axle (laden)   |                  | 5970 kg / 820 kg                     |
| 2.3                       | Weight on front axle (Unladen) / rear axle (Unladen)                                     |                  | 1780 kg / 2510 kg                    |
| Wheels                    |  |                  |                                      |
| 3.1                       | Tyres type   |                  | Pneumatic                            |
| 3.2                       | Dimensions of front wheels   |                  | 12,5/80-18/12 SL R4                  |
| 3.3                       | Dimensions of rear wheels  |                  | 27x10-12 SKS                         |
| 3.5                       | Number of front wheels / rear wheels   |                  | 2 / 2                                |
| 3.5.2                     | Number of drive wheels   |                  | 4                                    |
| 3.6                       | Front wheel gauge  | b10              | 1159 mm                              |
| 3.7                       | Rear wheel gauge   | b11              | 1176 mm                              |
| Dimensions                |  |                  |                                      |
| 4.1                       | Tilt of Mast Forward (deg) / Backward (deg)  | $\alpha / \beta$ | 12 / 10                              |
| 4.7                       | Height of overhead guard (cabin) / Overall height of low overhead guard (Buggie version) | h6 / h6*         | 2155 mm / 1990 mm                    |
| 4.8                       | Seat height/stand height   | h7               | 1094 mm                              |
| 4.19                      | Overall length   | l1               | 4195 mm                              |
| 4.20                      | Length to face of forks  | l2               | 3045 mm                              |
| 4.21                      | Overall width  | b1               | 1450 mm                              |
| 4.22                      | Forks section x width x length   | s / e / l        | 40 mm x 100 mm / 1200 mm             |
| 4.23                      | Fork carriage ISO 2328 (class/form) A/B  |                  | FEM 2A                               |
| 4.24                      | Fork carriage width  | b3               | 1260 mm                              |
| 4.31                      | Ground clearance below mast  | m1               | 300 mm                               |
| 4.32                      | Ground clearance at centre of wheelbase  | m2               | 310 mm                               |
| 4.35                      | Turning radius   | Wa               | 3405 m                               |
| Performances              |  |                  |                                      |
| 5.1                       | Travel speed (laden / unladen)   |                  | 12 km/h / 24.50 km/h                 |
| 5.2                       | Lifting speed (laden / unladen)  |                  | 0.47 m/s / 0.46 m/s                  |
| 5.3                       | Lowering speed (laden / unladen)   |                  | 0.50 m/s / 0.30 m/s                  |
| 5.5                       | Drawbar pull (Laden)   |                  | 3100 daN                             |
| 5.7                       | Gradeability (laden)   |                  | 51 %                                 |
| 5.10                      | Service brake  |                  | Hydraulic brakes by loss of pressure |
| Engine                    |  |                  |                                      |
| 7.1                       | Engine brand / model / norm  |                  | Kubota / D1803 CRT E5B / Stage V     |
| 7.2                       | Engine power according to ISO 1585   |                  | 37 kW                                |
| 7.3                       | Rated speed  |                  | 2700 rpm                             |
| 7.4                       | Number of cylinders / Capacity of cylinders  |                  | 3 - 1826 cm <sup>3</sup>             |
| Miscellaneous             |  |                  |                                      |
| 8.1                       | Type of drive control  |                  | Electronic                           |
| 8.2                       | Working hydraulic pressure for attachments   |                  | 200 bar                              |
| 8.3                       | Oil flow rate for attachments  |                  | 42 l/min                             |

MC 25-4 ST5 - Dimensional drawing

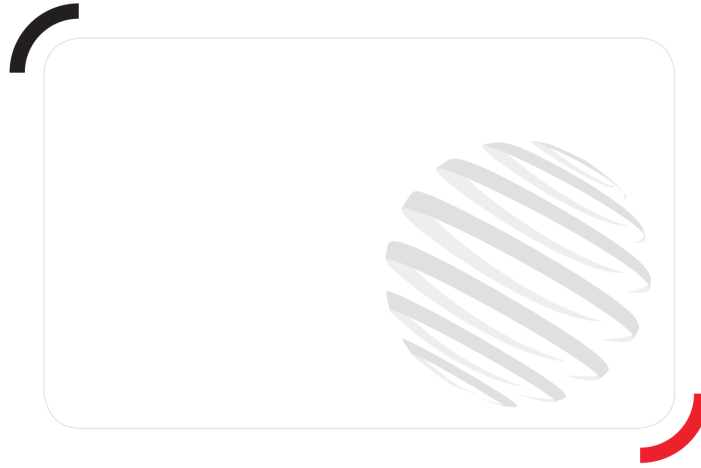


## Characteristics of masts and residual capacities

| Duplex with total visibility  |    | FVD 33  | FVD 37  | FVD 45  |
|---|----|---------|---------|---------|
| h2 - Free lift  | mm | 112     | 112     | 112     |
| h1 - Height mast lowered *  | mm | 2338    | 2598    | 3038    |
| h3 - Lifting Height   | mm | 3300    | 3700    | 4500    |
| h4 - Height mast extended *   | mm | 4090    | 4490    | 5290    |
| $\alpha / \beta$ - Mast inclination (front / rear)                  | °  | 12 / 10 | 12 / 10 | 12 / 10 |
| Residual capacity without attachment (Industrial load chart)        | kg | 2500    | 1450    | 800     |
| Residual capacity with hooked-on side shift (Industrial load chart) | kg | 2500    | 1450    | 800     |
| Height at max capacity  | mm | 3000    | 3000    | 3000    |
| Height at max capacity with hooked-on sideshift                     | mm | 3000    | 3000    | 3000    |

| Free lift triplex   |    | FLT 34  | FLT 37  | FLT 40  | FLT 43  | FLT 47  | FLT 55 |
|---|----|---------|---------|---------|---------|---------|--------|
| h2 - Free lift  | mm | 1210    | 1310    | 1410    | 1510    | 1660    | 1920   |
| h1 - Height mast lowered *  | mm | 1988    | 2088    | 2188    | 2338    | 2438    | 2788   |
| h3 - Lifting Height   | mm | 3400    | 3700    | 4000    | 4300    | 4700    | 5500   |
| h4 - Height mast extended *   | mm | 4236    | 4536    | 4836    | 5168    | 5536    | 6408   |
| $\alpha / \beta$ - Mast inclination (front / rear)                  | °  | 12 / 10 | 12 / 10 | 12 / 10 | 12 / 10 | 12 / 10 | 6 / 6  |
| Residual capacity without attachment (Industrial load chart)        | kg | 1900    | 1500    | 1350    | 800     | 700     | 5000   |
| Residual capacity with hooked-on side shift (Industrial load chart) | kg | 1800    | 1450    | 1350    | 700     | 700     | 5000   |
| Height at max capacity  | mm | 3000    | 3000    | 3000    | 3000    | 3000    | 3000   |
| Height at max capacity with hooked-on sideshift                     | mm | 3000    | 3000    | 3000    | 3000    | 3000    | 3000   |

| Triplex with total visibility                      |    | FVT 33  |
|--|----|---------|
| h2 - Free lift                                     | mm | 124     |
| h1 - Height mast lowered *                         | mm | 1878    |
| h3 - Lifting Height                                | mm | 3300    |
| h4 - Height mast extended *                        | mm | 4079    |
| $\alpha / \beta$ - Mast inclination (front / rear) | °  | 12 / 10 |



**Head Office**

B.P. 249 - 430 rue de l'Aubinière

44150 Ancenis Cedex - France

Tel: +33 (0)2 40 09 10 11 - Fax: +33 (0)2 40 09 10 97

[www.manitou.com](http://www.manitou.com)



This publication provides a description of the configuration versions and options for Manitou products, which may differ for equipment. The equipment presented in this brochure may be part of a series, as an option, or it may not be available, depending on the versions. Manitou reserves the right, at any time and without notice, to amend the specifications described and represented. The specifications provided do not bind the manufacturer. For more details, please contact your Manitou agent. This is not a contractually binding document. The presentation of the products is not contractually binding. List of specifications non-exhaustive. The logos as well as the visual identity of the company are owned by Manitou and cannot be used without authorisation. All rights reserved. The photos and diagrams contained in this brochure are only provided for consultation and information purposes.

MANITOU BF SA - Limited company with board of directors - Share capital: 39,668,399 euros - 857 802 508 RCS Nantes