

MacDon[®] *The Harvesting Specialists.*



Performance Options

D2 Series Windrower Draper Headers



D2 Series Windrower Draper Headers

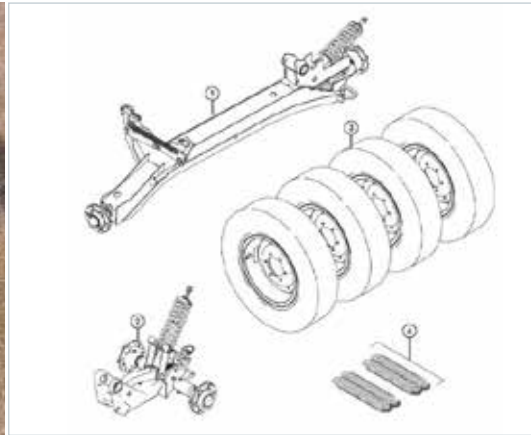
More Capacity, Durability, and Speed.

MacDon D2 Series Windrower Draper Headers feature super-sized capacity thanks to the ultra-deep 50-inch* deep draper deck. MacDon's all-new super-structured five-sided back tube frame design supports this tremendous capacity ability. And at the front, loading those massive drapers up is MacDon's ClearCut™ High-Speed Cutting System. **Capacity, durability, and speed that's how MacDon D2 Series Headers get you more.**



TABLE OF CONTENTS

| | |
|--------------------------------------|----|
| EasyMove™ Slow Speed Transport | 4 |
| Stabilizer Wheels | 5 |
| Full Length Upper Cross Auger | 6 |
| Vertiblade™ Vertical Knives | 7 |
| Rock Retarder Kit | 8 |
| High Wear Skid Shoes | 9 |
| Crop Divider Storage Bracket | 10 |
| Stubble Light Kit | 11 |
| Tine Tube / Reel Conversion Kits | 12 |
| End Swath Deflector Rods | 13 |
| Swath Forming Rods (center delivery) | 14 |
| Rice Divider Rods | 15 |
| Lodged Crop Reel Fingers | 16 |
| Crop Lifter Kit and Storage Rack | 17 |



WHAT IT IS/DOES

MacDon's EasyMove™ Transport System makes it easier than ever to move your D2 Series Draper from field to field.

This Performance Option is entirely self-contained on the header and allows towing behind your windrower at speeds up to 32 km/h (20 mph)*.

Headers equipped with this option also have the advantage of using the spring-loaded stabilizer wheels to help steady the header when cutting off the ground in bumpy field conditions creating an even stubble height.

FEATURES/BENEFITS

- » Transports D2 headers safely from field to field
- » Prevents the header from bouncing or rocking side to side
- » Allows for an even cutting height when cutting off the ground
- » Locks into a rigid position completely off the ground when they are not in use

Notes:

**Always follow local traffic laws and regulations.*

IDEAL CROP CONDITIONS

Crop conditions where cutting off the ground is necessary.

IDEAL FIELD CONDITIONS

Bumpy field condition.

SPECIFICS

Compatible With:

D2

Collector Bundle #:

C2173 - D230/35/40/41

Collector contains: base kit, wheels, and tow pole.

Weight:

C2173 – 379 kg (836 lbs) contains:

1 x B6288 - 230 kg (506 lbs); 2 x B7398 – 94 kg (207 lbs);

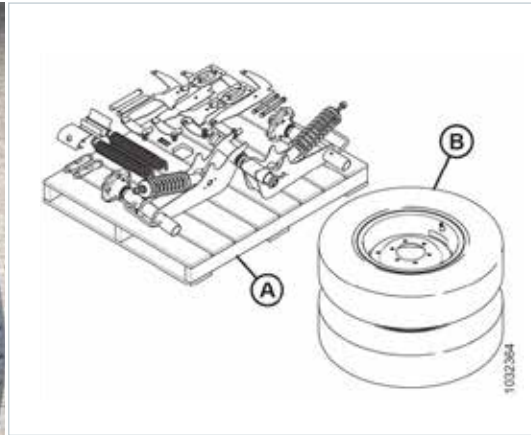
1 x B7392 – 55 kg (121 lbs)

Dealer Set-Up Time:

6 hrs – 2 People required

Instruction #:

214571



WHAT IT IS/DOES

Spring-loaded stabilizer wheels help to steady the header when cutting off the ground in bumpy field conditions creating an even stubble height.

FEATURES/BENEFITS

- » Prevents the header from bouncing or rocking side to side
- » Allows for an even cutting height when cutting off the ground
- » Locks into a rigid position completely off the ground when they are not in use

IDEAL CROP CONDITIONS

Crop conditions where cutting off the ground is necessary.

IDEAL FIELD CONDITIONS

Bumpy field condition.

SPECIFICS

Compatible With:

D230, D235, D241

Bundle #:

C2171 – Includes B6460 (Supports & Hubs), and B7398 (Wheels & Tires)

Weight:

C2171 – 159 kg (350 lbs) contains:
1 x B6460 – 109 kg (240 lbs); 1 x B7398 – 47 kg (103 lbs)

Dealer Set-up Time:

2 hrs

Instruction #:

214954

Full Length Upper Cross Auger



WHAT IT DOES

The upper cross auger attaches in front of the backtube and improves crop feeding into the center of the header in heavy crop conditions. It is ideal for high-volume harvesting of forages, peas, canola, mustard and other tall, bushy, hard to feed crops. It prevents crop from balling up on the drapers and flowing over the backtube.

FEATURES/BENEFITS

- » Moves heavy, bushy, high-volume crops to the center of the header for smooth feeding
- » Variable pitch flighting at the center of the auger aggressively drives crop into the combine
- » Features a shut-off valve to disengage the drive when the auger is not required
- » Upper Cross Auger speed is relative to side draper speed
- » True full length auger

IDEAL CROP CONDITIONS

High volume and bushy crop conditions.

IDEAL FIELD CONDITIONS

Any field condition.

SPECIFICS

Compatible With:

D2

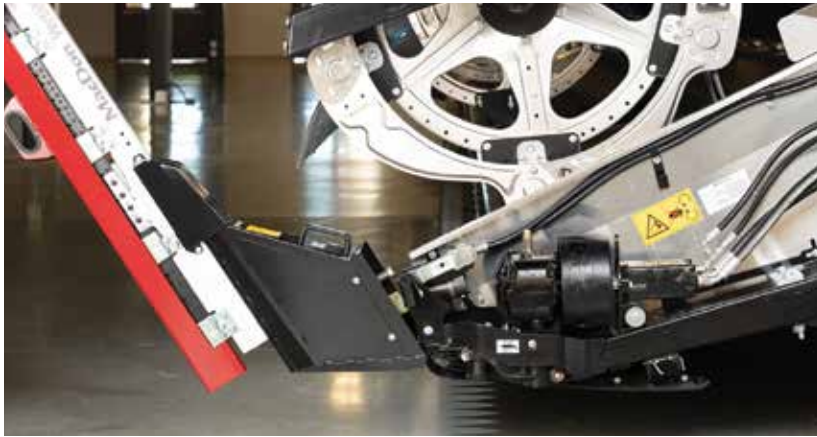
Instruction #:

214973 (Completion Kit), 215294 (Hydraulic Plumbing)

| Description | Bundle # | Completion Time (hrs) | Weight (lbs) | Weight (kg) |
|----------------------|----------|-----------------------|--------------|-------------|
| 15' One Piece | B7290 | 3 | 153 | 69 |
| 20' One Piece | B7291 | 3 | 180 | 82 |
| 25' Two Piece | B6413 | 3.5 | 281 | 127 |
| 30' Two Piece | B6414 | 3.5 | 312 | 142 |
| 35' Two Piece | B6415 | 3.5 | 343 | 156 |
| 41' Two Piece | B6416 | 3.5 | 360 | 163 |
| 15' Hydraulic Lines* | B7270 | 1 | 31 | 14 |
| 20' Hydraulic Lines* | B7271 | 1 | 34 | 15 |
| 25' Hydraulic Lines* | B7338 | 1 | 38 | 17 |

*Hydraulic line kits needed for headers *WITHOUT* factory installed plumbing

VertiBlade™ Vertical Knives



WHAT IT DOES

Vertical knives significantly reduce seed shatter loss from dividing interferences of the standard crop dividers and allow for consistent dividing in all conditions. The vertical knife attaches to a MacDon designed mount that fits on the header ends.

FEATURES/BENEFITS

- » Quick attach and removal, hydraulically driven allows for adjustable speed
- » Motor stays mounted low on the header
- » No hydraulic hoses to connect. Hoses remain on the header.

IDEAL CROP CONDITIONS

Canola and oilseed rape, or any other bushy, tangled crop.

IDEAL FIELD CONDITIONS

Any field condition.

SPECIFICS

| | |
|-------------------------|----------------|
| Compatible With: | Bundle# |
| D2 | B7029 |

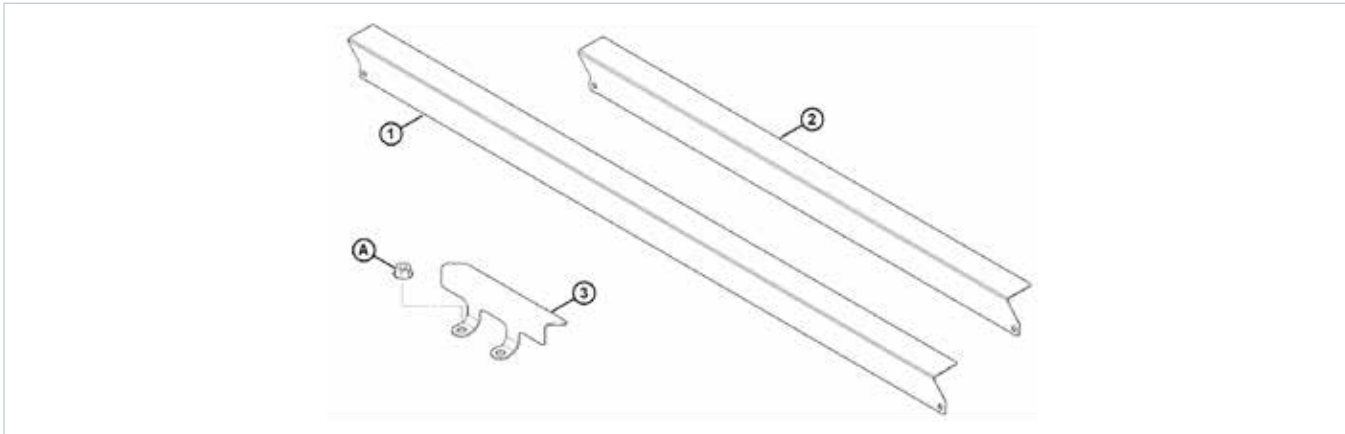
| | |
|---------------------|------------------|
| Set-up Time: | Weight: |
| 3 hrs | 156 kg (344 lbs) |

| |
|--|
| Instruction #: |
| 215293 (Hydraulics), 215042 (Completion) |

| Description | Bundle # | Setup Time (hrs) | Weight (lbs) | Weight (kg) |
|---------------------|----------|------------------|--------------|-------------|
| 15' Hydraulic Lines | B7274 | 3 | 38 | 17 |
| 20' Hydraulic Lines | B7275 | 3 | 41 | 19 |
| 25' Hydraulic Lines | B7339 | 3 | 43 | 20 |
| 30' Hydraulic Lines | B7127 | 3 | 46 | 21 |
| 35' Hydraulic Lines | B7128 | 3 | 48 | 22 |
| 41' Hydraulic Lines | B7130 | 3 | 57 | 26 |

Rock Retarder Kit

MacDon



WHAT IT DOES

The rock retarder kit is ideal for situations where cutting low is necessary in rocky field conditions. In these rocky conditions, this kit will help prevent rock ingestion by preventing most stones up to the size of a baseball from getting onto the drapers.

FEATURES/BENEFITS

- » Allows ground level cutting in rocky field conditions
- » Prevents most smaller rocks from getting onto the drapers and into the combine
- » Compatible with both Pointed and PlugFree Guards

Notes:

This kit may impede crop flow in short crops.

IDEAL CROP CONDITIONS

Most crop conditions.

IDEAL FIELD CONDITIONS

Rocky field conditions.

SPECIFICS

Compatible With:

D225, D230, D235, D241

Bundle #:

B7122

Weight:

20 kg (43 lbs)

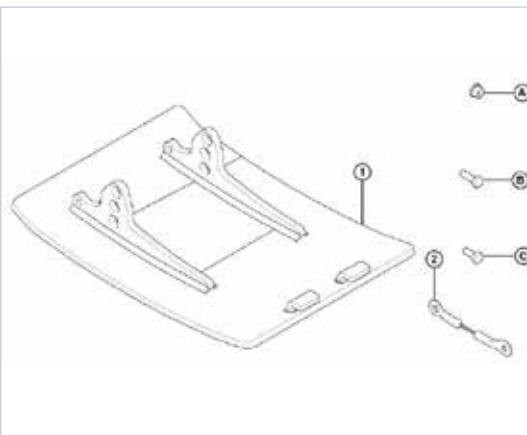
Dealer Set-up Time:

1 hour

Instruction #:

215280

High Wear Skid Shoes



WHAT IT DOES

The High Wear Skid Shoes kit provides extended wear skid shoes for use in rocky, abrasive conditions.

FEATURES/BENEFITS

» Quick attach. Intended to replace existing polyethylene skid shoes

Notes:

This kit is not recommended for use in wet mud or in conditions vulnerable to sparking (flint rock).

IDEAL CROP CONDITIONS

Normal dry conditions.

IDEAL FIELD CONDITIONS

Rocky, abrasive soil conditions.

SPECIFICS

Compatible With:

D2

Bundle #:

B6801

Weight:

31 kg (68 lbs)

Dealer Set-up Time:

30 min

Instruction #:

214977

Crop Divider Storage Bracket

MacDon



WHAT IT DOES

Divider storage brackets attach to the back of the header. They allow for quick removal and storage of the divider cones and, if required, reduce the transport width of the header.

FEATURES/BENEFITS

- » Allow for quick disconnect of divider cones
- » Divider cones store on the header

IDEAL CROP CONDITIONS

Any crop condition.

IDEAL FIELD CONDITIONS

Any field condition.

SPECIFICS

Compatible With:

D2

Bundle #:

B7030

Weight:

4.5 kg (10 lbs)

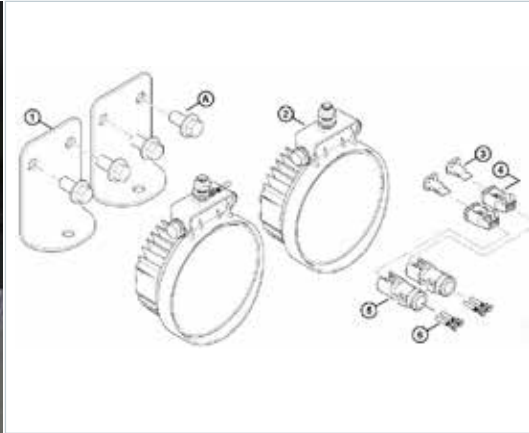
Dealer Set-up Time:

30 min

Instruction #:

215229

Stubble Light Kit



WHAT IT DOES

The Stubble Light kit consists of two rugged LED lights and brackets. For lighting behind the header outboard of the header legs.

FEATURES/BENEFITS

- » Better visibility in low light conditions
- » Low current draw, under 2 amps each

IDEAL CROP CONDITIONS

Any crop condition.

IDEAL FIELD CONDITIONS

Any field condition.

SPECIFICS

Compatible With:

D225, D230, D235, D241

Bundle #:

B7027

Weight:

2 kg (5 lbs)

Dealer Set-up Time:

15 min

Instruction #:

215045



WHAT IT DOES

Tine Tube / Reel Conversion kits convert a standard 5 bat (tine tube) reel into a 6 or 9 bat reel.

The additional tine tubes and reel tines allow for a slower reel speed with less load on each individual tine tube; gently lifting delicate or lodged crop.

FEATURES/BENEFITS

» Improves feeding performance in severely lodged or delicate crops.

IDEAL CROP CONDITIONS

Stringy or delicate crops.

IDEAL FIELD CONDITIONS

Any field condition.

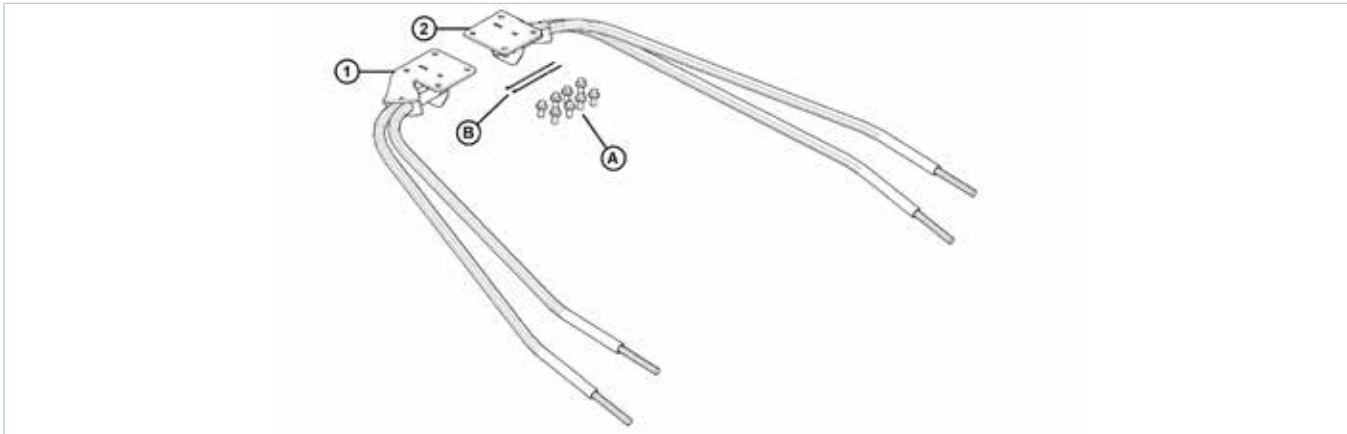
SPECIFICS

Compatible With:

D2

| Description | Bundle # | USUP (hrs) | Weight (lbs) | Weight (kg) |
|--------------------------------|----------|------------|--------------|-------------|
| 20' SR 6-9 Bat Plastic Fingers | B7360 | 8 | 148 | 67 |
| 25' SR 6-9 Bat Plastic Fingers | B7361 | 9 | 180 | 82 |
| 30' DR 6-9 Bat Plastic Fingers | B7362 | 12 | 240 | 109 |
| 41' DR 5-6 Bat Plastic Fingers | B7359 | 12 | 121 | 55 |

End Swath Deflector Rods



WHAT IT DOES

End deflector rods are used for laying a double swath with end delivery only. The deflector rods help prevent delivered crop at the opening from interfering with the standing crop.

FEATURES/BENEFITS

- » Prevents cut crop from being thrown into standing crop when end delivering.
- » Allows you to lay two swaths beside each other.

IDEAL CROP CONDITIONS

Any crop conditions.

IDEAL FIELD CONDITIONS

Any field conditions.

SPECIFICS

Compatible With:

D2

Bundle #:

Left (MD #B6447) and Right (MD #B6448)

Weight:

6.5 kg (14 lbs)

Dealer Set-up Time:

0.5 hrs per kit

Instruction #:

214976

Swath Forming Rods (center delivery)

MacDon

WHAT IT DOES

Swath forming rods form windrows with the crop heads pointing into the center of the windrow.

This kit is mainly used for grass seed cutting applications.

FEATURES/BENEFITS

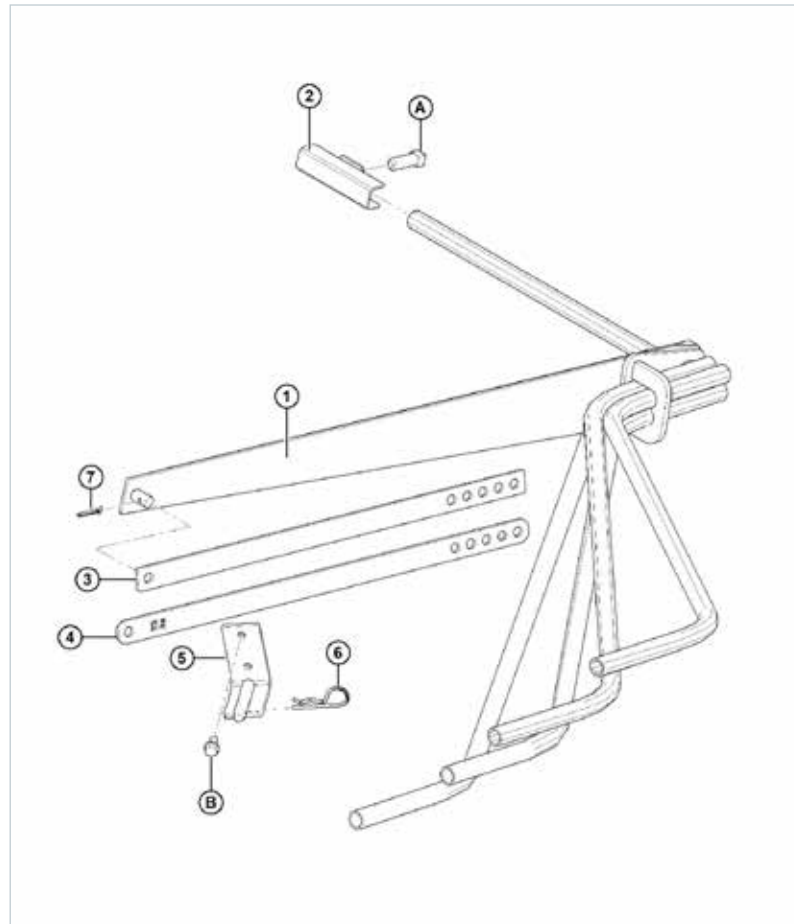
» Helps protect against shattering.

IDEAL CROP CONDITIONS

Grass Seed

IDEAL FIELD CONDITIONS

Any field conditions.



SPECIFICS

Compatible With:

D2

Bundle #:

B7383

Weight:

45 kg (100 lbs)

Dealer Set-up Time:

1 hour

Instruction #:

215936

Rice Divider Rods



WHAT IT DOES

Rice Divider Rods help divide slightly lodged or leaning crop. This kit is mainly used in rice cutting applications.

FEATURES/BENEFITS

- » Helps separate leaning crop at the divider point of the header for a cleaner cut between the header and standing crop.
- » Prevents the divider from going over top of the leaning crop.

IDEAL CROP CONDITIONS

Rice

IDEAL FIELD CONDITIONS

Leaning crop.

SPECIFICS

Compatible With:

D2

Bundle #:

B7238

Weight:

11 kg (25 lbs)

Dealer Set-up Time:

1 hour

Lodged Crop Reel Fingers

MacDon

WHAT IT DOES

This kit is intended to help the reel grab or bring in lodged or downed crop on the ends of the header.

FEATURES/BENEFITS

» Aids in picking up severely lodged crop near the dividers to help divide and cut the crop.

IDEAL CROP CONDITIONS

Severely lodged or downed, heavy crop such as rice.

IDEAL FIELD CONDITIONS

Any field conditions.

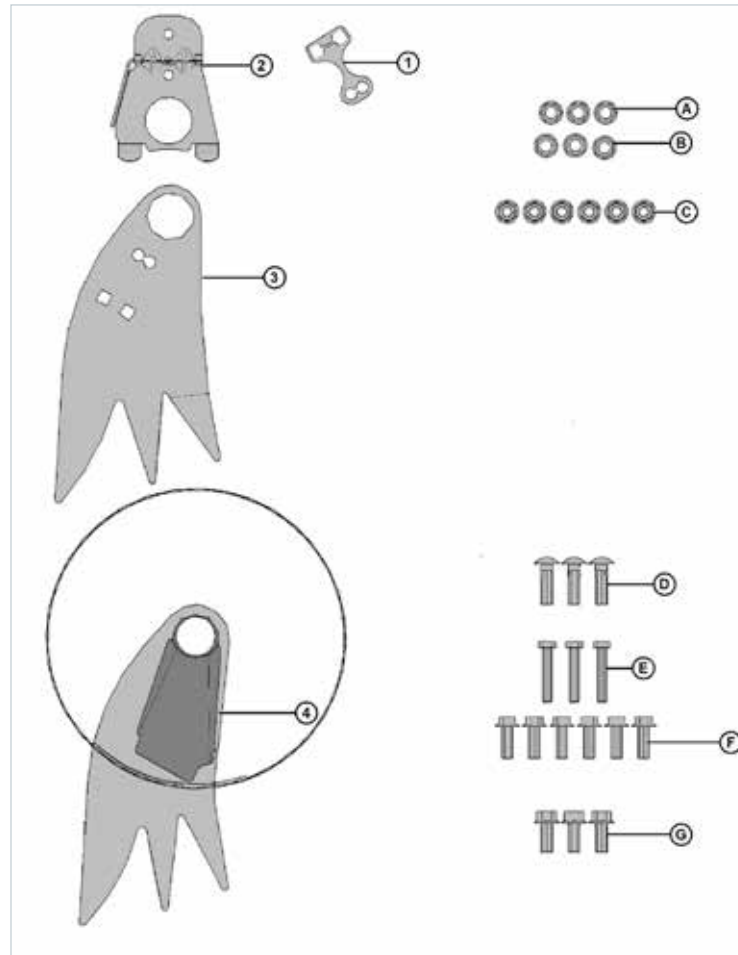
IMPORTANT:

When operating a header with the reel lowered and in the aft position, Lodged Crop Fingers could contact the draper deflectors.

The Lodged Crop Fingers kit should not be installed on a header with an upper cross auger when the reel is in the canola position as the lodged crop fingers will contact the auger when the reel is fully aft.

Lodged crop fingers DO NOT clear diagonal braces on single reel headers in the aft position on D2 headers.

Lodged crop fingers risk damaging the upper cross auger when the reel is fully retracted AND in the aft position.



SPECIFICS

Compatible With:

D2

Bundle #:

B7230

Weight:

10.8 kg (24 lbs)

Dealer Set-up Time:

1 hour

Instruction #:

215406

Crop Lifter Kit and Storage Rack



WHAT IT DOES

The crop lifters attach to the cutterbar and are designed to lift downed and lodged crops. For use when the crop is flat to the ground, and some extra lifting action is required, or a taller stubble height is needed.

The crop lifter rack comes as a set of two and mounts to the backtube of the header allowing for convenient storage of the crop lifters when they are not in use.

FEATURES/BENEFITS

- » Aids the header in lifting downed and lodged crops
- » Attaches and detaches quickly and conveniently stores on-board with the crop lifter rack

Notes:

Crop Lifter Storage Rack may interfere with other options depending on how the header is configured. For example some configurations that might not work; EasyMove Slow Speed Transport combine extension hitch storage location, crop divider storage bracket, stabilizer/gauge wheel.

IDEAL CROP CONDITIONS

Lodged cereal crops.

IDEAL FIELD CONDITIONS

Any field condition.

PARTS

| Header Model | Number of Kits (B7022) Required |
|----------------|---------------------------------|
| D215 and D220 | x2 |
| D225 with D230 | x3 |
| D230 | x3 |
| D235, and D241 | x4 |

SPECIFICS

Compatible With:

D2

Bundle #:

B7022 Crop Lifters

B7023 Storage Rack

Weight:

12 kg (26 lbs)

Dealer Set-up Time:

30 min Crop Lifters

30 min Storage Rack

Instruction #:

214975 Crop Lifters

214974 Storage Rack



MacDon®



MacDon® *The Harvesting Specialists.*

MacDon.com