

DIMENSIONS

	A	B	C	D	E	F	G	H
MINI	24"	28 5/8"	26 1/8"	16 3/4"	6 3/4"	6"	18 7/8"	6"
JUNIOR	36"	43 1/8"	43"	26 1/4"	9"	8"	29"	6"
SENIOR	48"	55 1/4"	54 1/8"	34 3/8"	12"	9"	37 1/8"	8" - 10"
SUPER	60"	69 1/2"	59 7/8"	40 1/4"	12"	9"	42 7/8"	8" - 10"
JUMBO	60"	73"	69"	46 3/8"	14"	12"	50"	8" - 10"
MAXI	60"	78 1/8"	77"	52 3/8"	16"	12"	56 1/8"	10" - 12"
MEGA	60"	89 1/8"	90"	58 1/2"	18"	12"	62 1/8"	12" - 14"
ULTRA	72"	116 3/4"	105"	69 1/2"	22"	14"	74"	14" - 16"

SPECIFICATIONS

MODEL	MINI			JUNIOR				SENIOR			SUPER			JUMBO		MAXI			MEGA			ULTRA		
SERIES	1	2	3	1	2	3	4	1	2	3	1	2	3	1	2	1	2	1	2	3	1	2	3	
CAPACITY (BUSHEL/HOUR)	150	300	600	600	900	1200	1500	2400	3000	3500	2400	3000	3500	4000	5000	5000	6000	7000	8000	10000	10000	12000	15000	
CAPACITY (TON/HOUR)	3.8	7.6	15.3	15.3	22.9	30.5	38.2	61.1	76.4	89.1	61.1	76.4	89.1	101.8	127.3	127.3	152.7	178.2	203.6	255	255	305	382	
CAPACITY (CU.FT/HOUR)	187.5	375	750	750	1125	1500	1875	3000	3750	4375	3000	3750	4375	5000	6250	6250	7500	8750	10000	12500	12500	15000	18700	
MAXIMUM HEIGHT	62'	62'	37'	93'	93'	93'	93'	114'	114'	114'	140'	140'	140'	170'	135'	200'	185'	200'	200'	195'	221'	216'	176'	
BUCKET SPACING	6"	3"	4"	12"	8"	6"	5"	6 3/4"	5 1/4"	4 1/2"	7 1/4"	6"	5 1/4"	9 1/2"	7 1/2"	10"	8 1/2"	10"	9"	7"	12"	10"	8"	
BUCKET DIMENSIONS	4" x 3"		5"x4"	6" x 5" H.D.				9" x 5" H.D.			9" x 5" H.D.			10" x 7" H.D.		12" x 7" H.D.			14" x 7" H.D.			16" x 8" H.D.		
BELT DESCRIPTION	PVC 120x5"		PVC 120x 5 1/2"	PVG 250 x 7"				PVG 250 x 10" PVG 350 x 10"			PVG 250 x 10" PVG 350 x 10"			PVG 250x11" PVG 350x11"		PVG 350x13" PVG 450x13"			PVG 350x15" PVG 450x15"			PVG 350x18" PVG 450x18" RHINO 600x18"		
NOMINAL PULLEY ROTATION (RPM)	115			95				78			68			68		62			62			60		
NOMINAL BELT SPEED (FPM)	181			311				378			441			441		503			604			679		
PULLEY DIAMETER	6"			12"				18"			24"			24"		30"			36"			42"		
HEAD SHAFT DIAMETER	1"			1 11/16"				2 3/16"			2 15/16"			2 15/16"		2 15/16" 2 15/16" 3 15/16"			3 7/16" 3 15/16" 4 7/16"			3 7/16" 3 15/16" 4 7/16" 4 15/16" 5 7/16"		
BOOT SHAFT DIAMETER	1"			1 3/16"				1 11/16"			1 15/16"			1 15/16"		2 7/16"			2 15/16"			3 7/16"		
GAUGE OF HEAD AND BOOT	14 ga.			12 ga.				10 ga.			10 ga.			10 ga.		10 ga.			10 ga.			Head: 10 ga Boot: 8 ga		
GAUGE OF LEGGING	16 ga.			16 ga.				14 ga.			14 ga.			14 ga. 12 ga.		14 ga. 12 ga.			12 ga.					

Distributor

Our team of specialists will be happy to help you with your grain handling needs.



5490 rue Martineau, Saint-Hyacinthe
450-796-2626 • www.radeq.ca



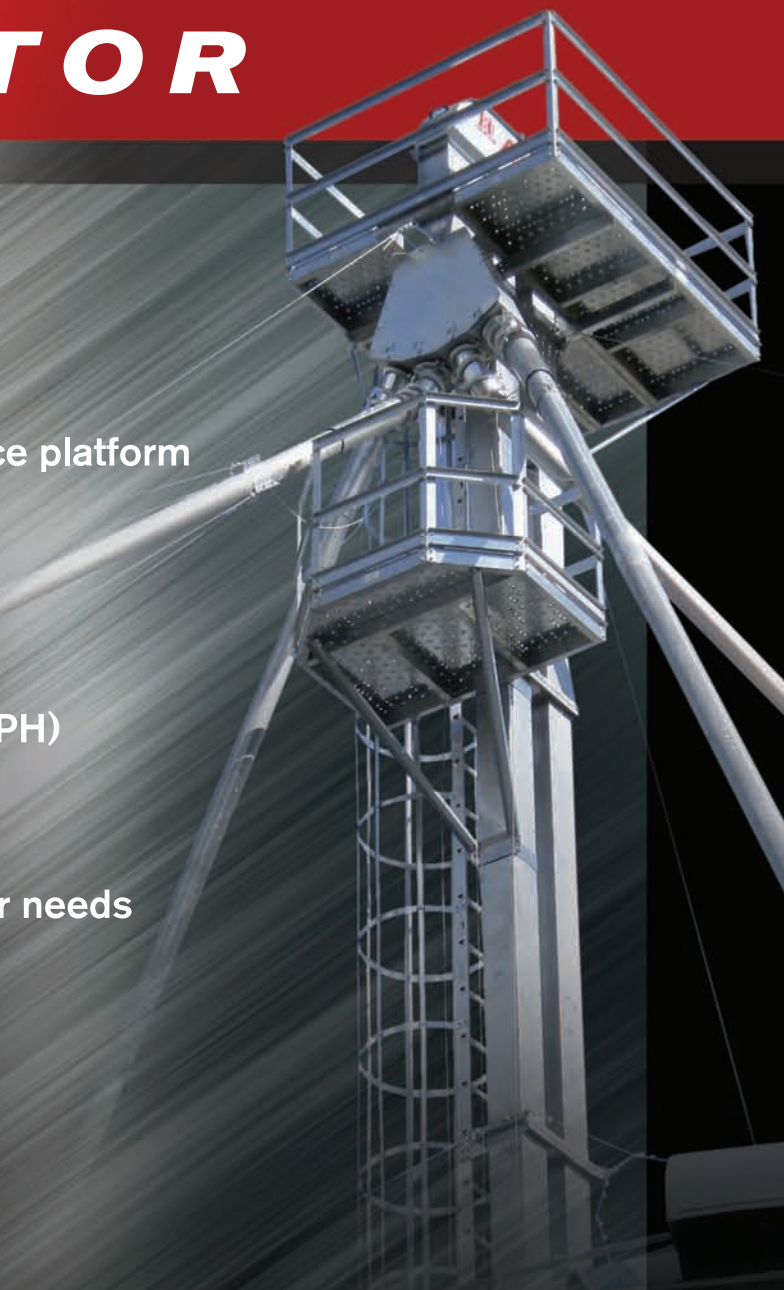
THE STRENGTH OF A TEAM

BUCKET ELEVATOR

- Corrosion-resistant galvanized steel elevator
- Sturdy and made to last
- Pre-assembled drive and service platform for easier installation
- Wide selection of distributor heads adapted to your project
- 150 to 15 000 bushels/hour (BPH)
- Over 35 years at your service
- Manufactured according to your needs

5490 RUE MARTINEAU
SAINT-HYACINTHE
450-796-2626

www.radeq.ca





RAD ELEVATOR HEAD

- 3D designed and CNC manufactured
- 10-16 ga galvanized steel
- Roller bearing with horizontal and vertical adjustment
- Inspection door on each side
- Dust protection at shaft opening
- Easily accessible hood
- Abrasion-resistant composite coating (Rhino) available upon request
- Dodge brand drive and bearings with backstop included

RAD ELEVATOR LEG

- 3D designed and CNC manufactured
- 10-14 ga galvanized steel, bolted
- Leg with inspection door
- PVG belt included, rubber model available
- Poly bucket made to last

RAD ELEVATOR BOOT

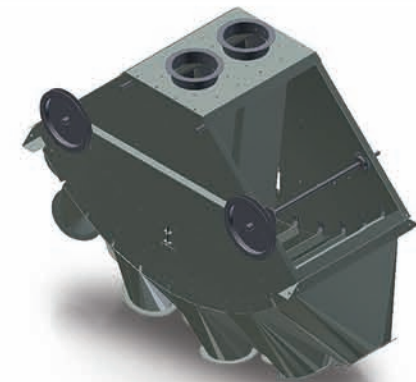
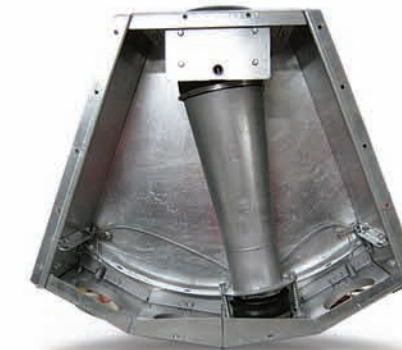
- 3D designed and CNC manufactured
- 8-14 ga galvanized steel
- Heavy-duty roller bearings
- Belt tensioner that improves belt traction and service life
- Self-cleaning and adjustable boot pulley
- Dust protection at shaft opening
- Self-cleaning boot available
- Drawer on boot for easy cleaning



RAD Equipment ladders and platforms provide easy and safe access to your equipment.



Several distributor, service and rest platform sizes available, including access ramps and doors.



RAD DISTRIBUTION HEADS

RAD Equipment's distributor heads are made of galvanized steel. Their sturdiness and the variety of heads available make RAD Equipment a leader in its field.

RAD SPOUTING ACCESSORIES

RAD Equipment offers a wide range of chute accessories to meet your most specific needs:

- 2- or 3-way valves
- In-line decelerator Cushion box
- Cushion box
- Galvanized tube
- Transitions and several others

