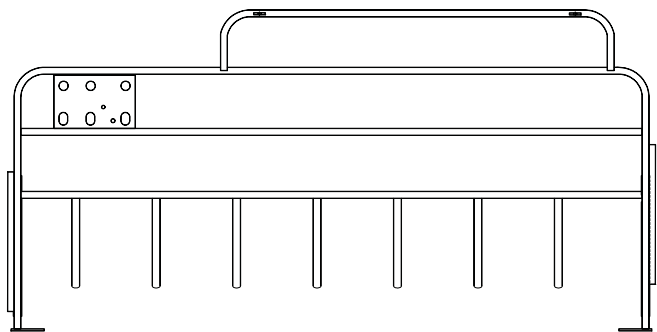
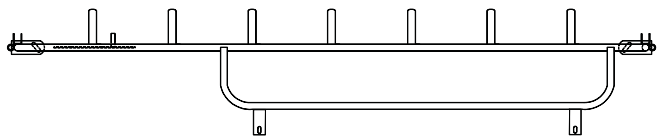
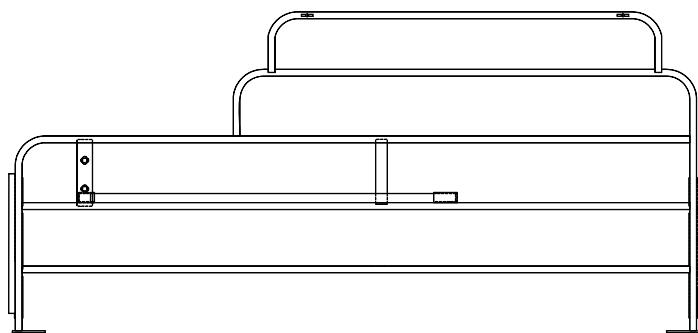
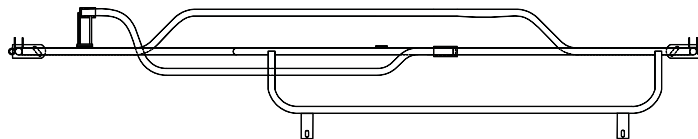


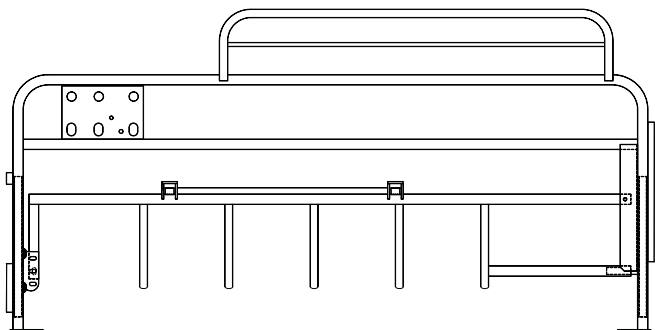
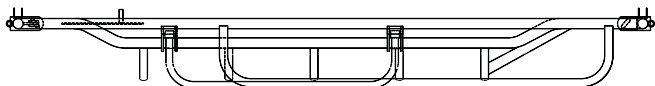
## SOLID ROD FINGER CRATE



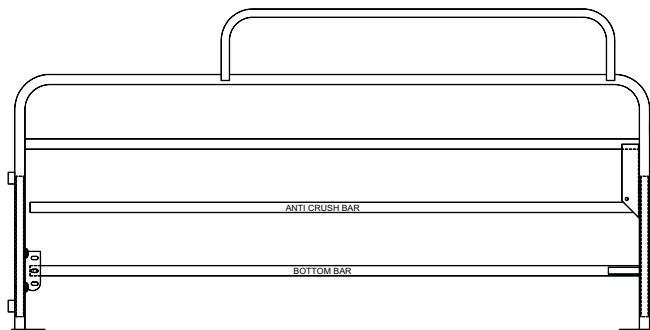
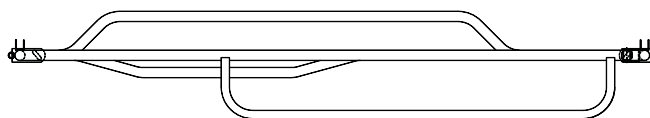
## SOLID ROD BOW BAR CRATE (C/W ANTI CRUSH BAR)



## FINGER BAR OPTION FOR STANDARD CRATE

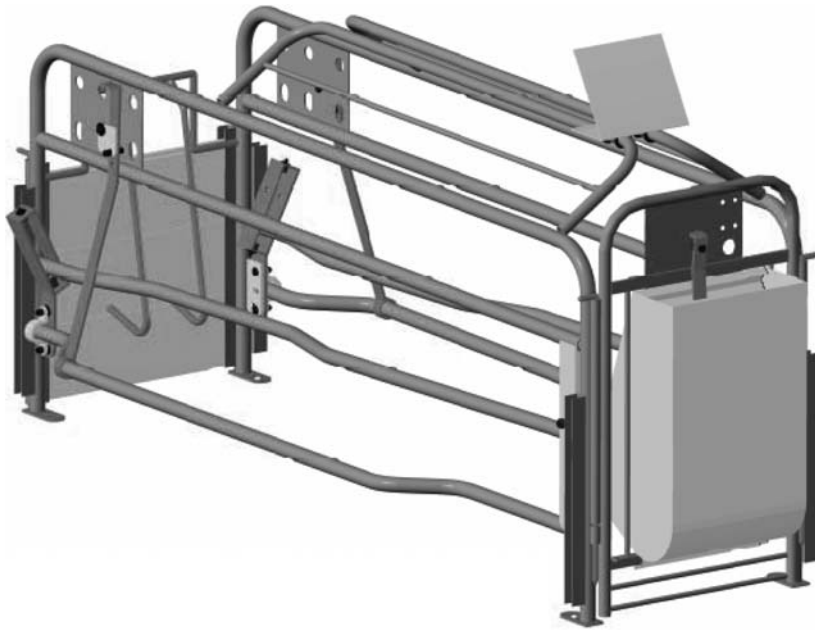


## SELECT LINE CRATE OPTION



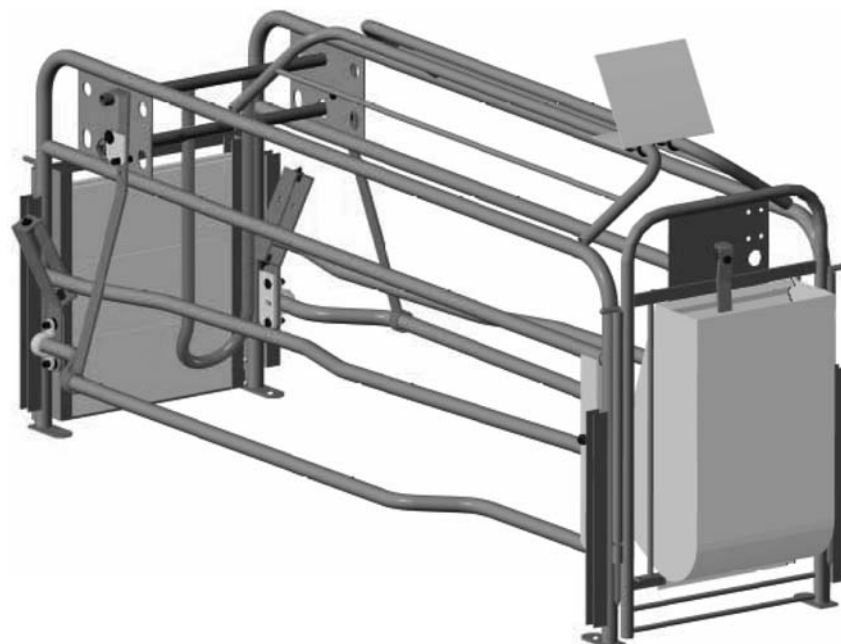
Please call for options and pricing.

## CRATE & 1 PC. BUMPER



DESCRIPTION	PART #
<b>84" CRATE + 1 PC. BUMPER</b>	
CRATE/NO FEEDER	2061300
<b>90" CRATE + 1 PC. BUMPER</b>	
CRATE/NO FEEDER	2061300-90

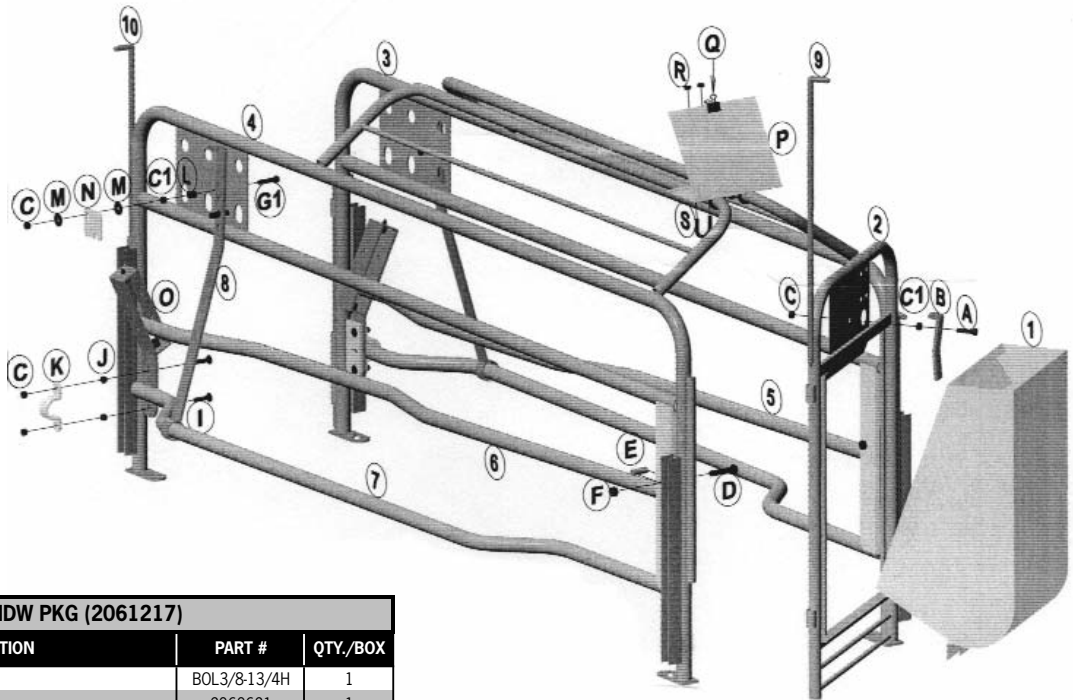
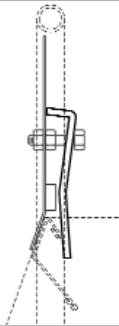
## CRATE & SIDE MOUNT BUMPER



DESCRIPTION	PART #
<b>84" CRATE + SIDE MOUNT BUMPER</b>	
CRATE/NO FEEDER	2061301
<b>90" CRATE + SIDE MOUNT BUMPER</b>	
CRATE/NO FEEDER	2061301-90

## ASSEMBLY

### FEEDER QUICK RELEASE



#2004 CR HDW PKG (2061217)

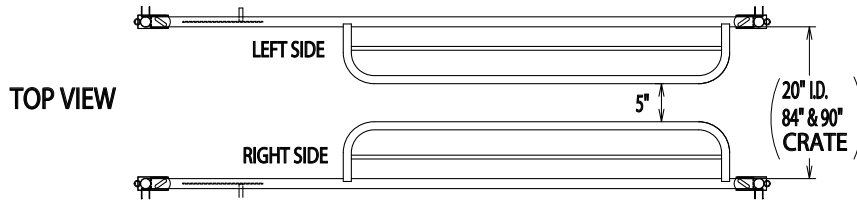
ILLUS.	DESCRIPTION	PART #	QTY./BOX
A	3/8" X 1 3/4" HEX BOLT	BOL3/8-13/4H	1
B	CRATE FEEDER FLIPPER	2060621	1
C	3/8" NYLON LOCK NUT	NUT3/8LN	7
C1	3/8" FLANGE NUT	NUT3/8FL	3
D	5/16" X 2 1/4" HEX BOLT	BOL5/16-21/4H	2
E	1 7/16" LG. BUSHING (.540 O.D. .364 I.D.)	2060539	2
F	5/16" NYLON LOCK NUT	NUT5/16LN	2
G1	3/8" X 2" HEX BOLT (FULL THREAD)	2060519Z	2
I	3/8" X 1 1/2" CARRIAGE BOLT	BOL3/8-11/2C	4
J	3/8" SS JAM NUT	NUT3/8JSS	4
K	#83 PIVOT BRACKET	2060260	2
L	1/2" NYLON LOCK NUT SPACER	NUT1/2LN	2
M	S.S. WASHER 3/8" I.D. X 1 1/8" O.D. X .125" THICK	WAS3/8-11/8SS	4
N	#98 ADJUSTER FLIPPER LOCK	2060546	2
O	#98 ANTI CRUSH BAR HOLDER	2060536	2
P	#2001 CR CARD HOLDER (6" O.C.)	2060218	1
Q	CARD HOLDER CLIP	2060892	1
See CRATES13	5/16" FLANGE NUT	NUT5/16FL	4
See CRATES13	U-BOLT 5/16", 1 1/6" X 1 3/4" LG.	20-1A	2
See CRATES13	#2001 CR STIFF STRAP (6" O.C.)	2060219	1

ILLUS.	DESCRIPTION	PART #	QTY./BOX
1	QUICK RELEASE S.S. FEEDER	2060106	1
2	#98 CRATE SWING FRONT GATE	2060520	1
3	40"H CR SIDE ONLY 84" LEFT (+STUB)	2061210L	1
4	40"H CR SIDE ONLY 84" RIGHT (+STUB)	2061210R	1
5	#98 CRATE ANTI CRUSH BAR (LEFT)	2060535L	1
6	#98 CRATE ANTI CRUSH BAR (RIGHT)	2060535R	1
7	#98 ADJUSTABLE BOTTOM BAR	2060540	2
8	#98 FLAT BAR ADJUSTER	2060545	2
9	#96 CRATE + D.S.S. 25' PIN (GALV.)	2070637	2
10	#96 CRATE + D.S.S. 22' PIN (GALV.)	2060634	2

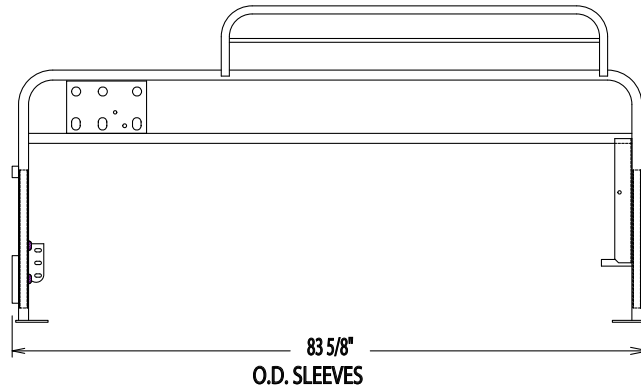
## #2004 FARROWING CRATE ASSEMBLY INSTRUCTIONS

- 1) Set up crate left & right side, then pin in front & back gate.
- 2) Bolt on LEFT & RIGHT anti crush bars to front channel with .540" o.d. Bushing and 5/16" x 2 1/4" hex bolt.  
\* **BAR BOWS INTO CRATE AND SLEEVE IS ON TOP \***
- 3) Place one end of bottom bar onto stub at front of crate. Slide flat bar adjuster over other end of bottom bar. Install anti crush bar holder + pivot bracket with 3/8" x 1 1/2" carriage bolts.  
\* **PIVOT BRACKET IS SPACED OUT WITH 3/8" JAM NUTS SO BOTTOM BAR WILL PIVOT FREELY \***
- 4) Install adjuster bar flipper lock as shown. Flipper should swing freely.
- 5) Set card holder & stiffener strap in place, insert U-bolts & thread on nuts (see CRATES-17). Check that gates open freely and crate is sitting square, then tighten nuts.
- 6) Install feeder flipper to front gate. Flipper should swing freely after feeder is installed.

## SIDE PANELS FOR 7' CRATE

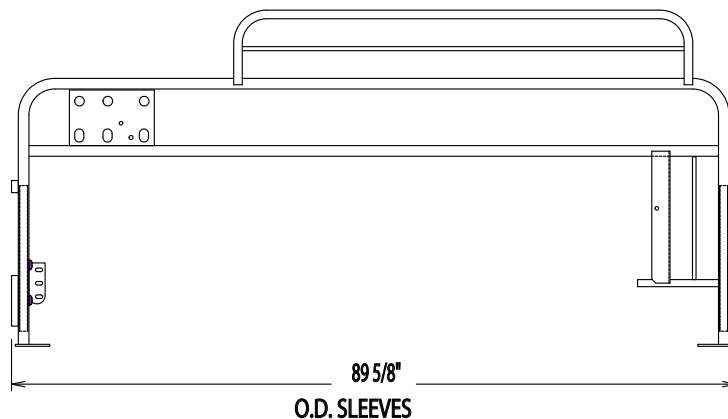


- ③ 2061210L 40" HIGH CRATE SIDE ONLY, 84" (+ STUB) LEFT
- ④ 2061210R 40" HIGH CRATE SIDE ONLY, 84" (+ STUB) RIGHT

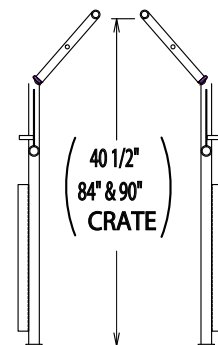


## SIDE PANELS FOR 7 1/2' CRATE

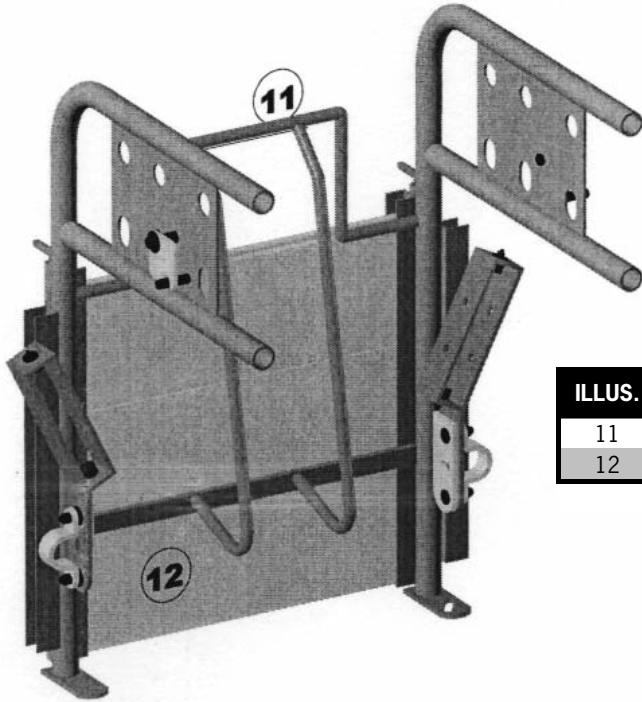
- ⊘ N/S 2061190L 40" HIGH CRATE SIDE ONLY, 90" (+ STUB) LEFT
- ⊘ N/S 2061190R 40" HIGH CRATE SIDE ONLY, 90" (+ STUB) RIGHT



### END VIEW



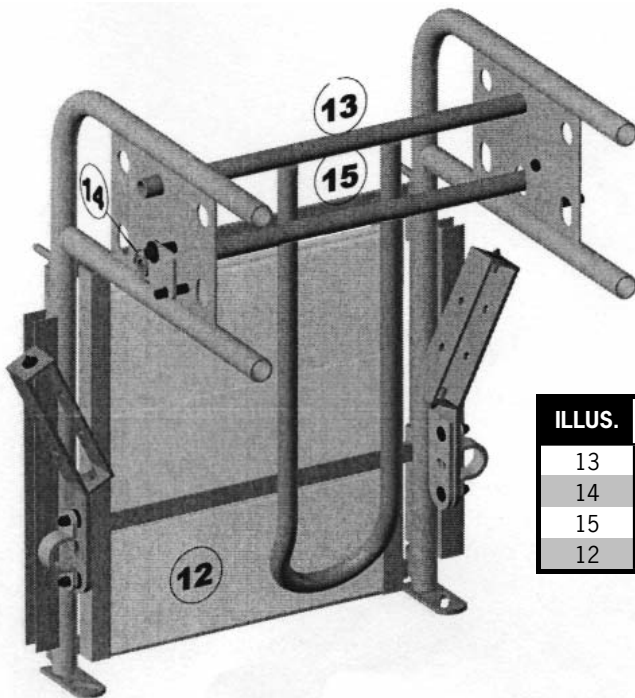
## SWING BACK GATE + REAR MOUNT BUMPER + 20" PLASTIC



ILLUS.	DESCRIPTION	PART #	QTY.
11	#98 SWING BACK GATE + BUMPER	2060530	1
12	CRATE PLASTIC 6.5" X 20"	2060530P	3

**ONLY 1 OF  
THESE OPTIONS  
HAS BEEN  
SHIPPED**

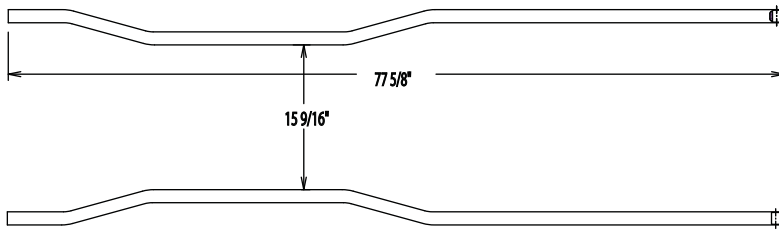
## SIDE MOUNT BUMPER + BACK GATE + 20" PLASTIC



ILLUS.	DESCRIPTION	PART #	QTY.
13	SIDE MOUNT RUMP GUARD	2060630A	1
14	1/4" X 1 5/8" LYNCH PIN	2060633	1
15	#2004 CRATE SWING BACK GATE	2061230	1
12	CRATE PLASTIC 6.5" X 20"	2060530P	3

**2060535L**

#98 ANTI-CRUSH BAR **LEFT** (FOR 7' AND 7 1/2' CRATES)

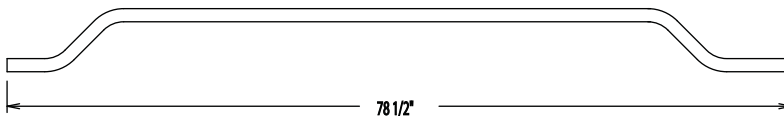


**2060535R**

#98 ANTI-CRUSH BAR **RIGHT**

**2060542**

GALV. ADJ. BOTTOM BAR



**2060106**

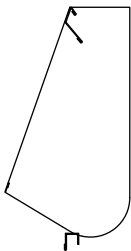
QUICK RELEASE SS FDR. (14 GA)

**2060107**

QUICK RELEASE SS FDR. (16 GA)

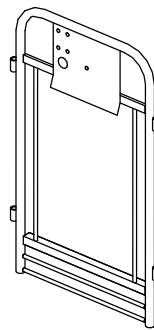
**2060108**

QUICK RELEASE SS WET/DRY



**2060520**

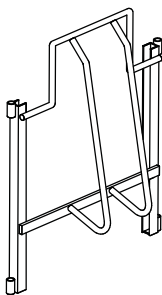
#98 CRATE SWING FRONT GATE



**2060530**

#98 SWING BACK GATE + BUMPER

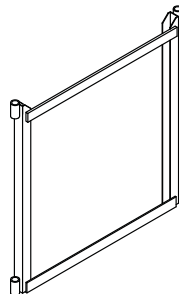
NEEDS 3 PCS PLASTIC #2060530P



**2061230**

SWING BACK GATE (20" PL)

NEEDS 3 PCS PLASTIC #2060530P



**2060545**

BOTTOM BAR ADJUST

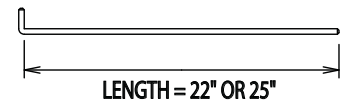


**2060637**

25" GALV. PIN (FRONT OF CRATE)

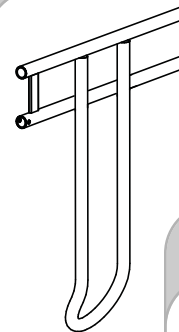
**2060634**

22" GALV. PIN (REAR OF CRATE)



**2060630A**

SIDE MOUNT BUMPER



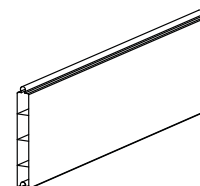
**2060633**

LYNCH PIN



**2060530P**

CRATE PLASTIC 6.5" X 20" (1 PIECE)



3 PIECES NEEDED

**2060621**  
CRATE FEEDER FLIPPER



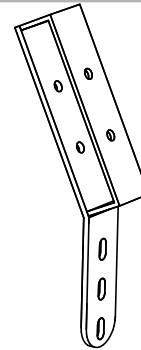
**2060260**  
#83 PIVOT BRACKET



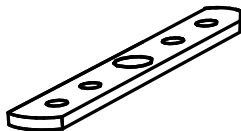
**2060546**  
#98 ADJUSTER FLIPPER LOCK



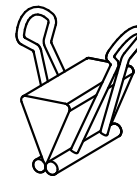
**2060536**  
#98 ANTI-CRUSH BAR HOLDER



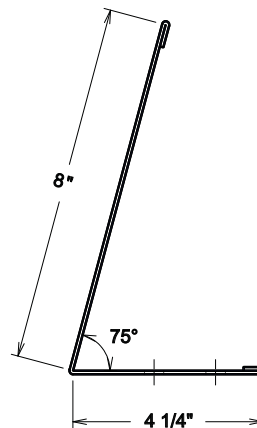
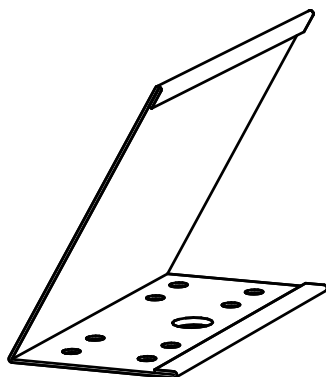
**2060219**  
STIFFENER STRAP/CARD HOLDER



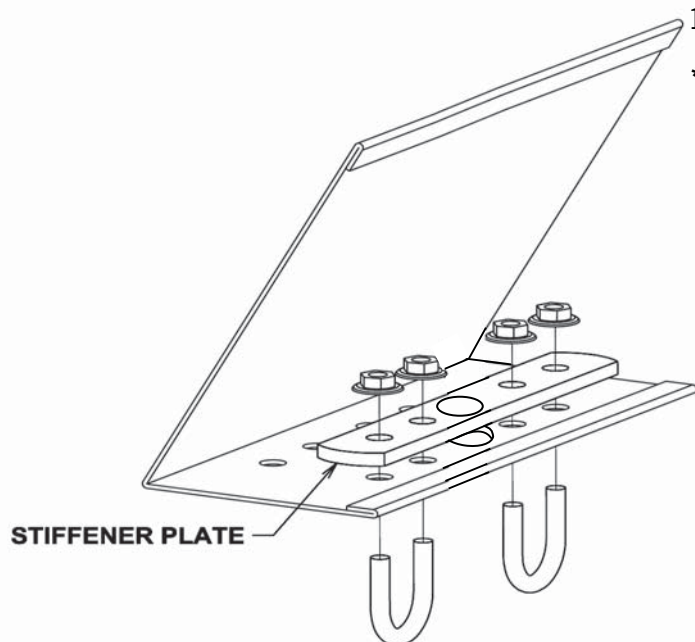
**2060892**  
CARD HOLDER CLIP



**2060218**  
#98 CRATE CARD HOLDER



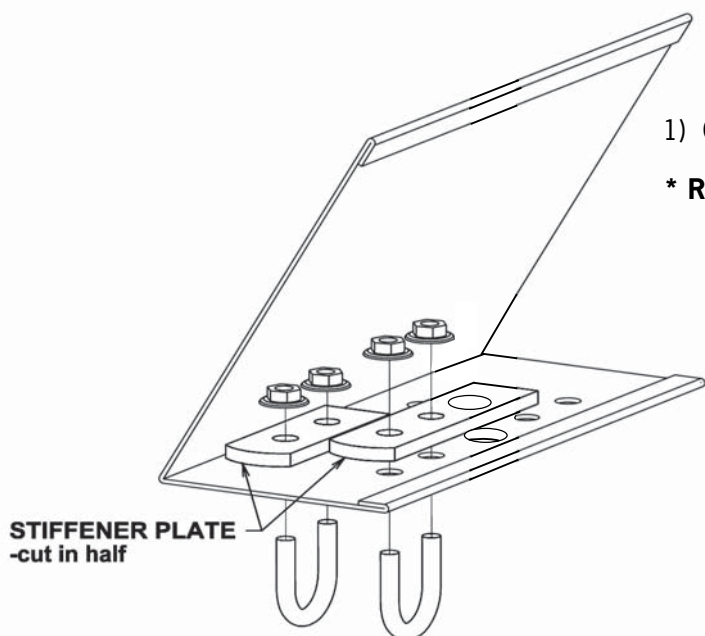
## #98 FARROWING CRATE



1) Install card holder as shown.

\* Refer to CRATES12 for location of card holder on crate\*

## #98 EURO CRATE (SWINGING SIDE)



1) Cut stiffener plate in half and install as shown.

\* Refer to CRATES15 for location of card holder on crate\*