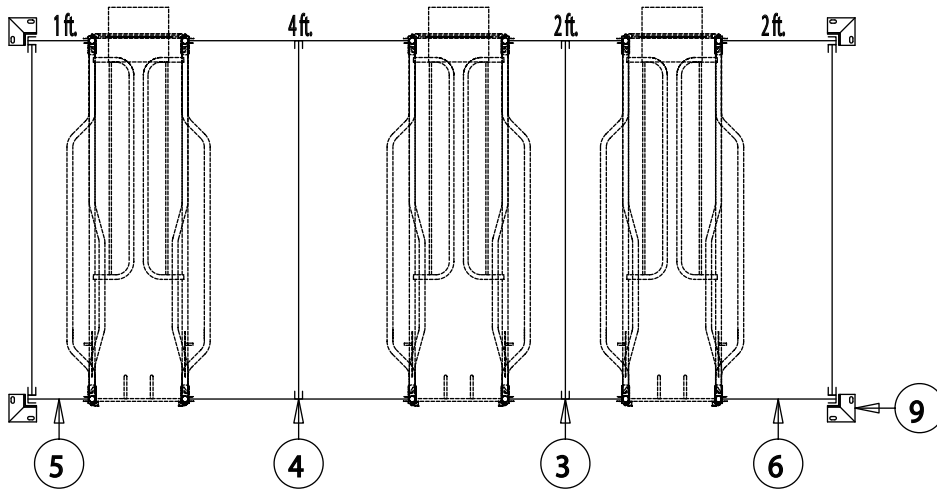
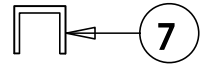


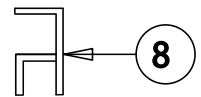
OFFSET CRATES



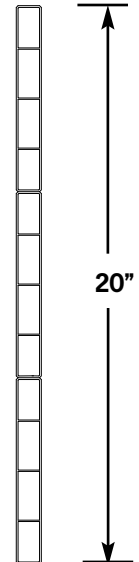
2060360-U
STD CHANNEL



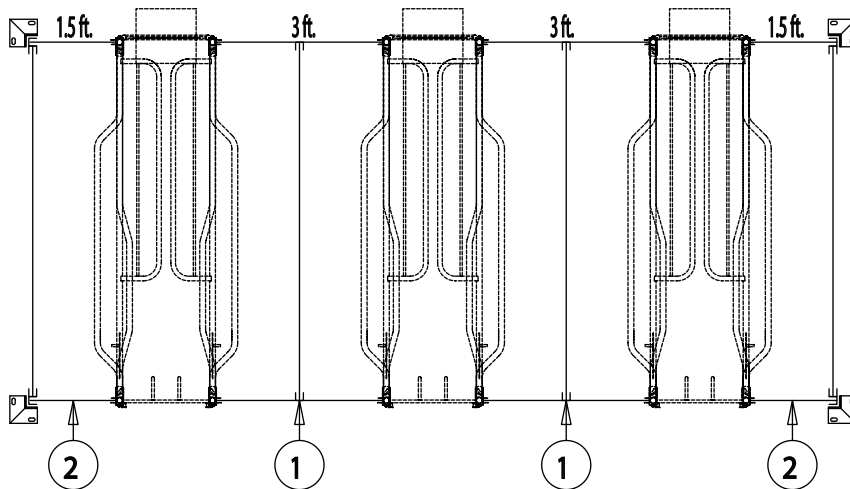
2060360-C



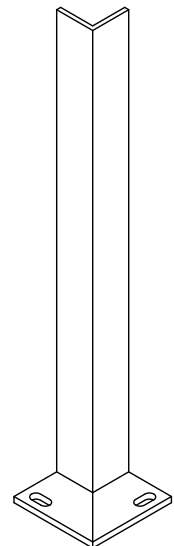
CROSS SECTION OF CREEP PANEL



ON-CENTRE CRATES



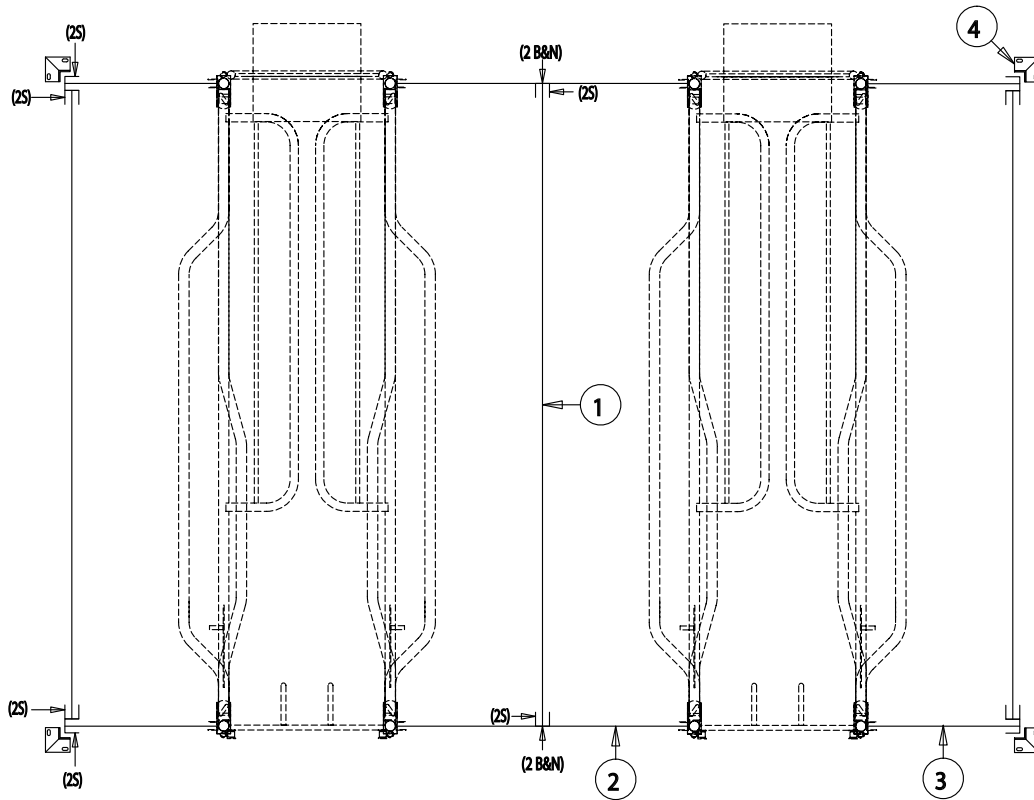
2060470
GALV. CORNER ANGLE



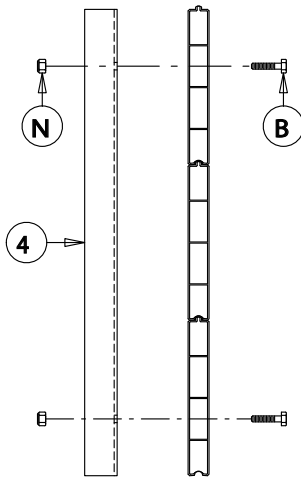
1 PIECE CREEP PLANK

ILLUS.	DESCRIPTION	PART #	
		84"	90"
1	PLASTIC CREEP PACKAGE 3 FT. CENTRE	2060360-C3	2060390-C3
2	PLASTIC CREEP PACKAGE 1.5 FT. END	2060360-E1.5	2060390-E1.5
3	PLASTIC CREEP PACKAGE 2 FT. CENTRE	2060360-C2	2060390-C2
4	PLASTIC CREEP PACKAGE 4 FT. END	2060360-C4	2060390-C4
5	PLASTIC CREEP PACKAGE 1 FT. END	2060360-E1	2060390-E1
6	PLASTIC CREEP PACKAGE 2 FT. END	2060360-E2	2060390-E2
7	PLASTIC 1 5/8" CHANNEL 20' LG.	2060360-4	
8	PLASTIC 1 5/8" CORNER 20' LG.	2060360-C	
9	GALV. CORNER ANGLE 19' LG.	2060470	

PARTS & ASSEMBLY



**1 PIECE CREEP
PLANK
20" HIGH X 1.5"**



ILLUS.	DESCRIPTION	PART #	QTY./KIT
1	PLASTIC PLANK 20" X 79 3/4" (84" FLOOR)	2060360-79	1
1	PLASTIC PLANK 20" X 85 3/4" (90" FLOOR)	2060360-85	1
2	PLASTIC PLANK 20" X 48 3/4" (4' OC)	2060360-49	2
2	PLASTIC PLANK 20" X 37" (3' OC)	2060360-37	2
2 & 3	PLASTIC PLANK 20" X 25" (2' END)	2060360-25	2
3	PLASTIC PLANK 20" X 18 1/2" (1.5' END)	2060360-18	2
3	PLASTIC PLANK 20" X 12 1/2" (1' END)	2060360-12	2
4	GALV. CORNER ANGLE 19" LG.	2060470	1
B	1/4" X 1 1/4" STAINLESS HEX BOLT	BOL1/4-11/4HSS	
N	1/4" STAINLESS LOCK NUT	NUT1/4LSS	
S	SS PAN HEAD SCREW (#10) X 1/2" LG.	2013140	
HDW. PKG. / CENTRE CREEP (2 CHANNELS + HDW.)		2060352C	
HDW. PKG. / END CREEP (2 CORNERS + SCREWS)		2060352E	

ASSEMBLY INSTRUCTIONS

- 1) Assemble creep planks. Drill 1/4" holes then fasten channels with 1/4" x 1 1/4" bolt (2 per channel). Install front & back units (#2) then slide in 79 3/4" dividers. The 79 3/4" dividers can be fastened to the channel with 2 screws on each end. The complete creep (2) + (1) + (2) will be fastened together as 1 unit.
- 2) Assemble corner creeps (#3). Drill 1/4" holes, then fasten corner channel with screws (4 per corner). 2 screws are needed on each corner to secure end creep to the crate channel.