



FEATURES

- Exclusive clamp-on ends with option of trimming gate to exact size required on site.
- Various lengths available.
- Heavy-duty construction ensures years of trouble free service.
- Hot dipped galvanized for increased durability.



GATE OPTIONS

- 4-Bar Gates
- 5-Bar Gates
- 6-Bar Gates
- 2-Bar Alley Gates
- Flip-over Gates
- Parlour Gates

LATCH OPTIONS

- Heavy duty self-catching latch
- Clamp-on spring loaded latch
- Chain latch
- Double pin

4 & 5 BAR GATE FEATURES

- 2 adjustable hinge options
- Cost effective
- Adjustable length
- Telescopic option
- Galvanized



MAXIMIZES SPACE • EASY TO USE • CONVENIENT

Canarm AgSystems offers a unique new spring loaded one arm gate that keeps your alleys open when in the up position, but allows you to effectively guide cow traffic when closed. Its innovative spring design makes it easy to raise and lower.

FEATURES

- Exclusive clamp-on ends with option of trimming gate to exact size required on site.
- Various lengths available.
- Heavy-duty construction ensures years of trouble free service.
- Hot dipped galvanized for increased durability.

See the **SPRING LOADED ONE ARM GATE** in action.
Visit: <http://youtu.be/xSqZQDXtUc>
or scan the qr code right.



EASY TO USE

Simply lower two gates across alley to effectively guide cow traffic.



CANARM LTD. - Corporate Office
2157 Parkedale Ave., Brockville, ON
Canada K6V 5V6
Tel: (613) 342-5424 Fax: 1-800-263-4598

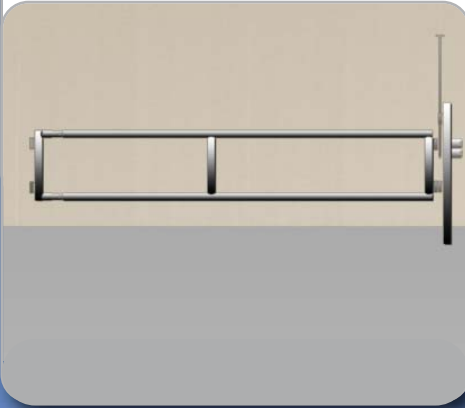
Web Site: www.canarm.com

CANARM LTD. - USA Warehouse
808 Commerce Park Drive
Ogdensburg, New York, USA 13669
Tel: 1-800-267-4427 Fax: 1-800-263-4598

E-Mail: agsales@canarm.ca

Arthur Manufacturing Facility
#7686 Concession 16, RR 4 Arthur, ON
Canada NOG 1A0
Tel: (519) 848-3910 Fax: (519) 848-3948

2 BAR ALLEY GATE



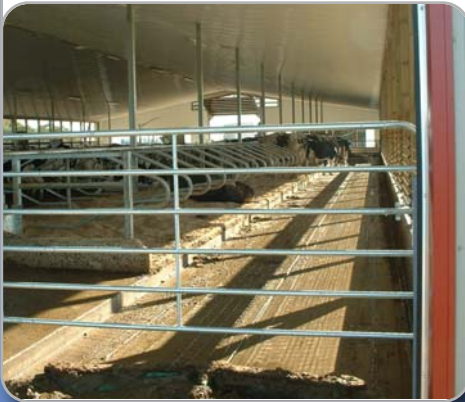
4 BAR GATES



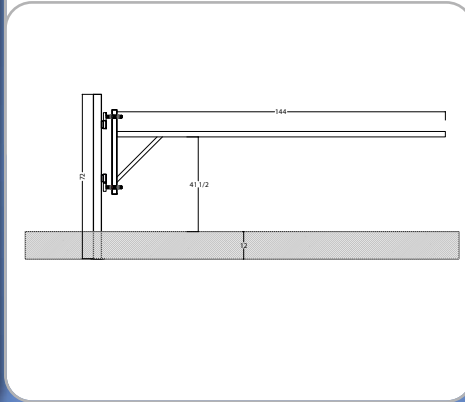
5 BAR STANDARD GATES



6 BAR SELECT LINE GATES



CROSS ALLEY 1 BAR GATE



SPRING LOADED ONE ARM GATE



FLIP OVER GATES



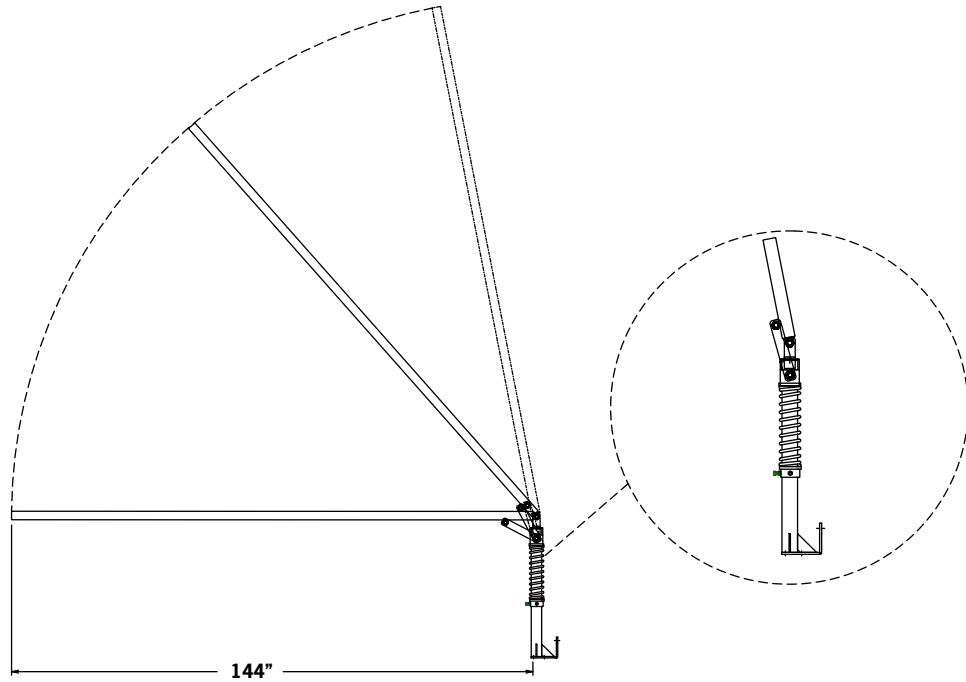
PARLOUR GATES



FINGER GATES



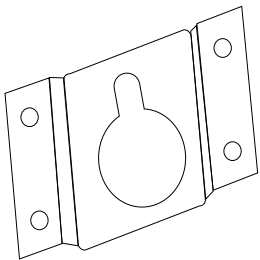
1442700-12 - 12' LG SPRING LOADED GATE (1 BAR)



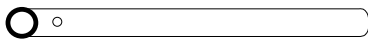
Note: Call about adjustable or suspended post.

LATCH OPTIONS

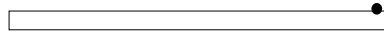
**1442710-PL - KEY HOLD
LATCH BRACKET**



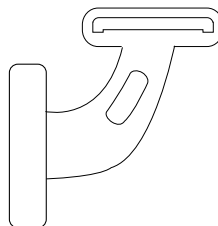
**1442710-PLCK - 16" LG PIPE
LOCK CONNECTOR**



**1442710-5 - 5' LG GLV S.L.G.
EXTENSION**
**1442710-10 - 10' LG GLV S.L.G.
EXTENSION**

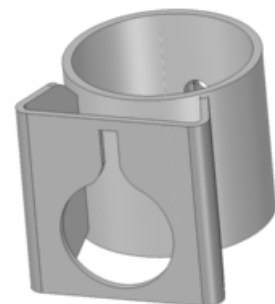
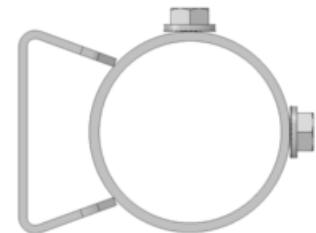


**1442704LCK - SPRING ARM
GATE LOCK ARM
TEMP LOCK ONLY**



KEY LOCKS

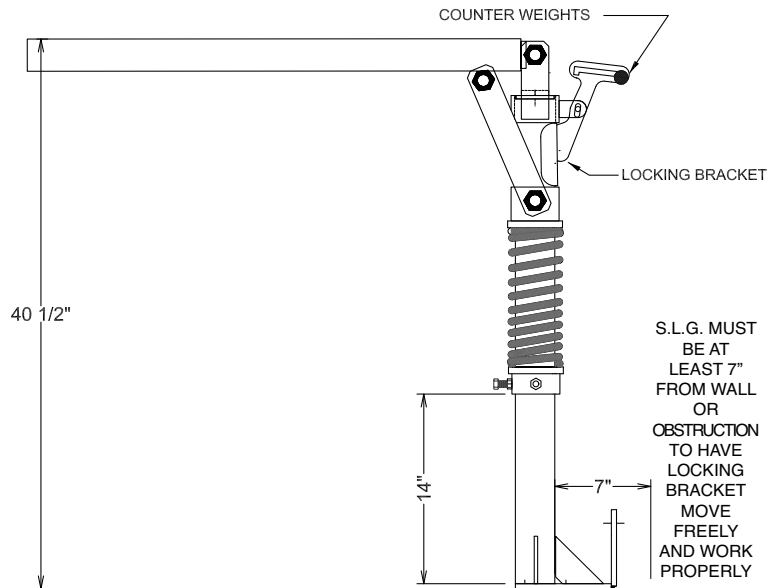
**1444288-PL - KEY LOCK
BRACKET FOR 3 1/2" ROUND
POST**



LOCKED POSITION

TO LOCK ARM:

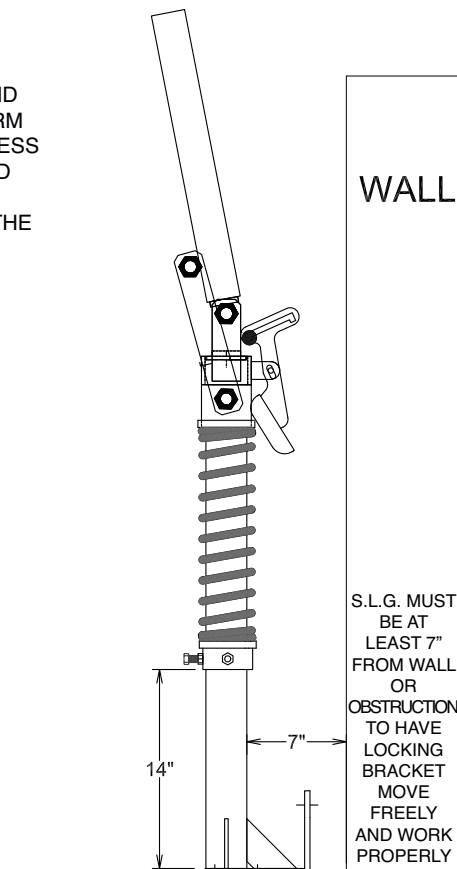
MOVE COUNTER WEIGHTS TO BACK OF BRACKET GUIDE AND THEN PROCEED TO BRING DOWN ARM TO 90 DEGREES. TO LOCK INTO PLACE, PUSH ARM PAST 90 DEGREES TO ALLOW COUNTER WEIGHTS TO PUSH BRACKET INTO PLACE. LIFT ARM BACK UP SLOWLY TO ENSURE LOCKING HAS OCCURED.



OPEN POSITION

TO RELEASE ARM:

MOVE COUNTER WEIGHTS TO FRONT OF BRACKET GUIDE AND THEN PROCEED TO END OF ARM AND PRESS DOWN TO COMPRESS SPRING PAST 90 DEGREES AND THE COUNTER WEIGHTS WILL MOVE THE BRACKET OUT OF THE SPRINGS WAY.

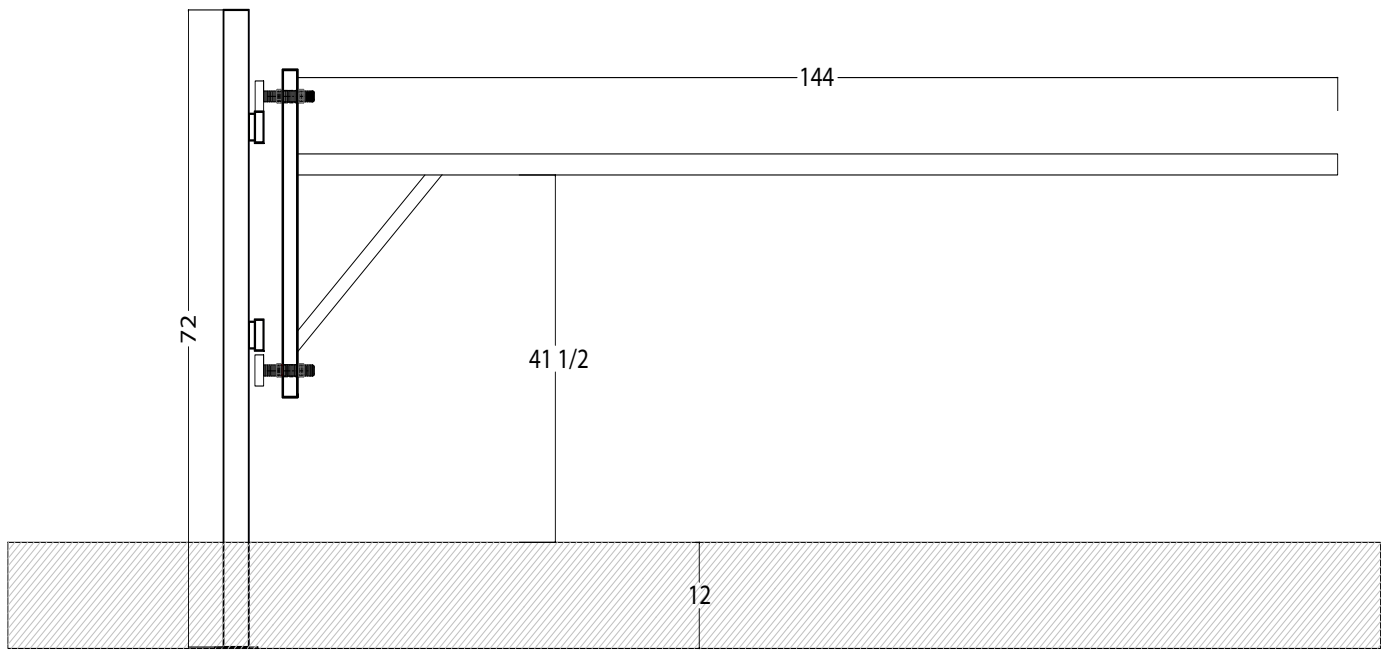


CAUTION

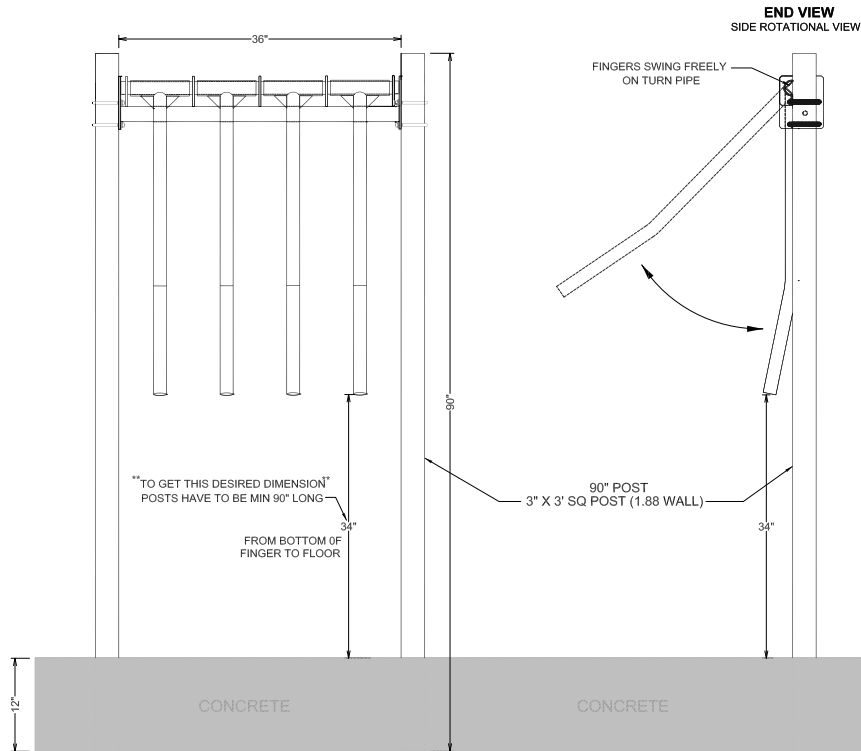
THIS LOCKING BRACKET IS NOT RECOMMENDED TO BE A MAIN LOCK OUT OR HOLD DOWN FOR THE S.L.G.

IT IS RECOMMENDED TO BE A **SHORT TERM** LOCK OUT ONLY.

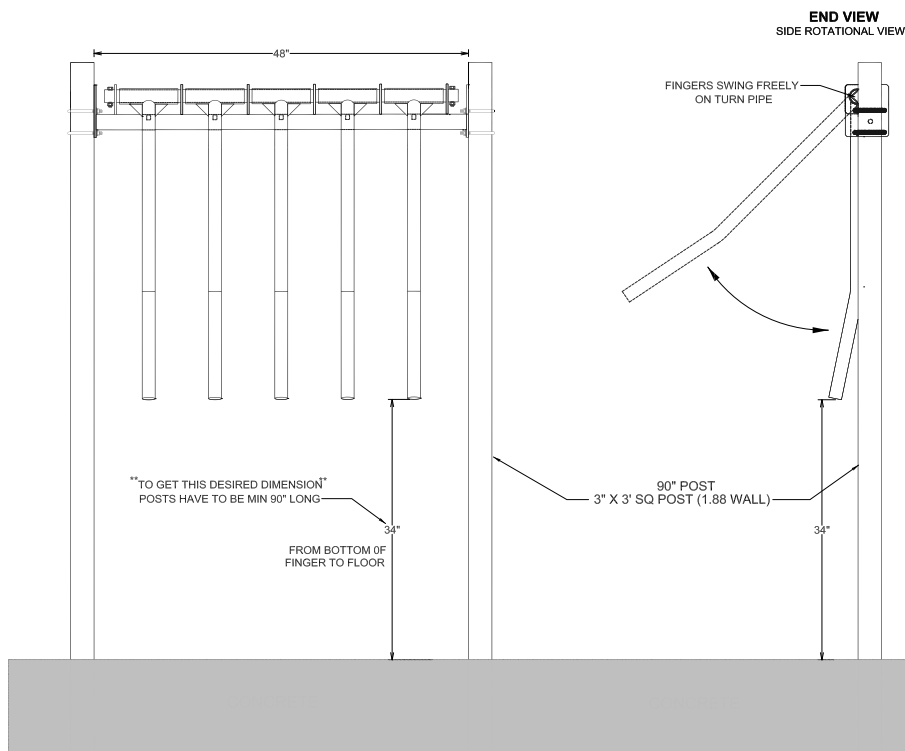
CROSS ALLEY 1 BAR GATE



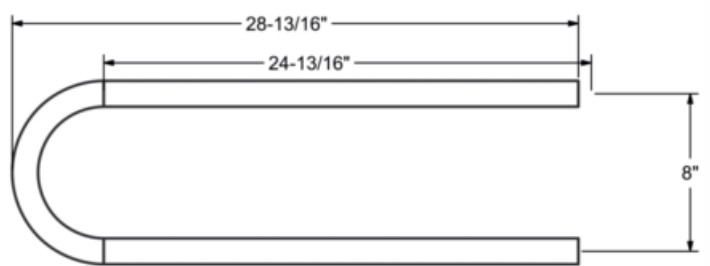
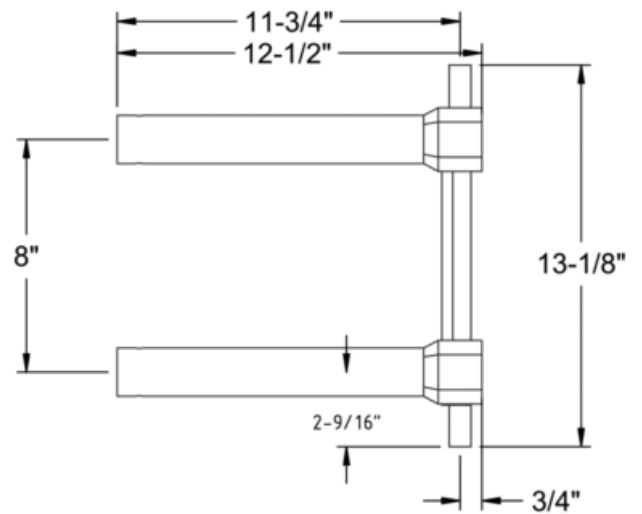
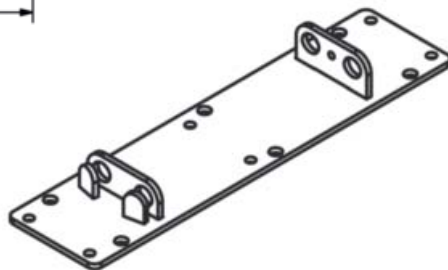
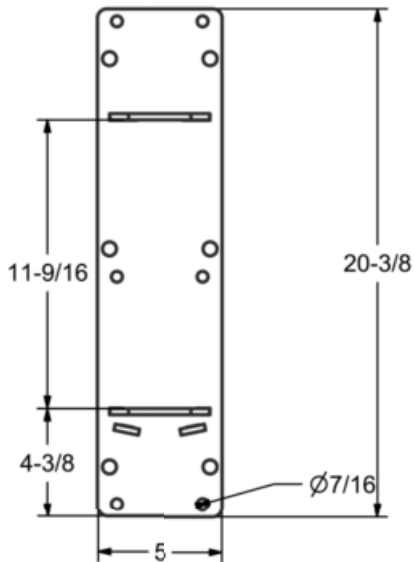
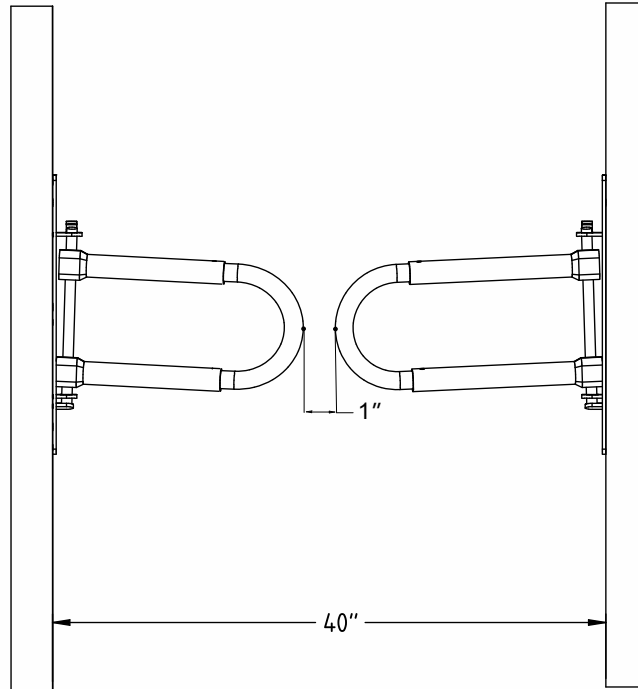
1442600-36PK - 36" FINGER GATE ASSEMBLY



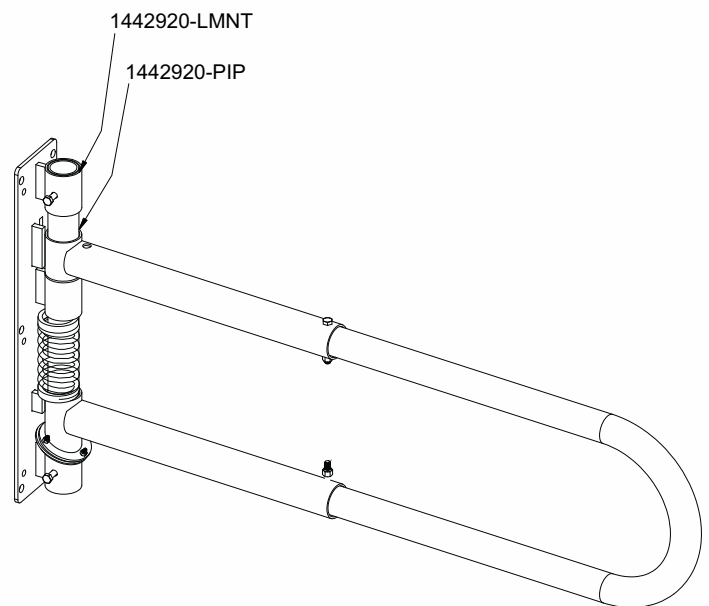
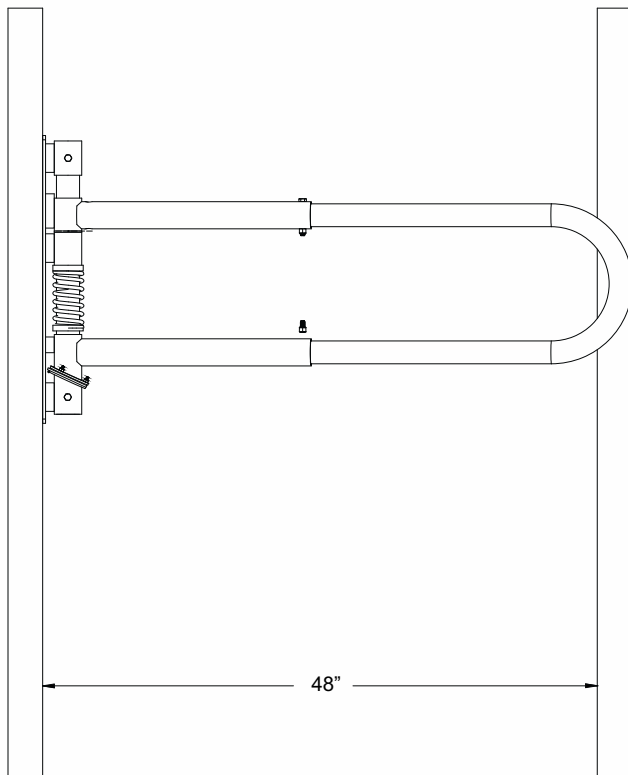
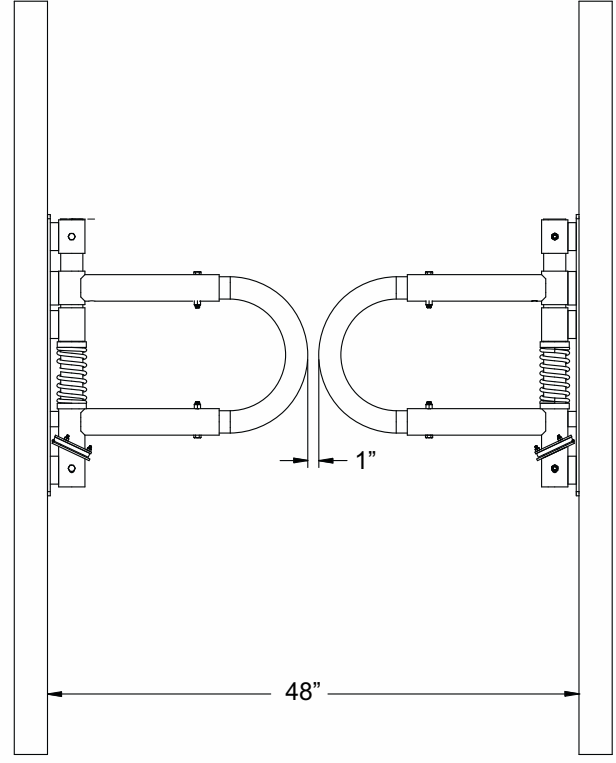
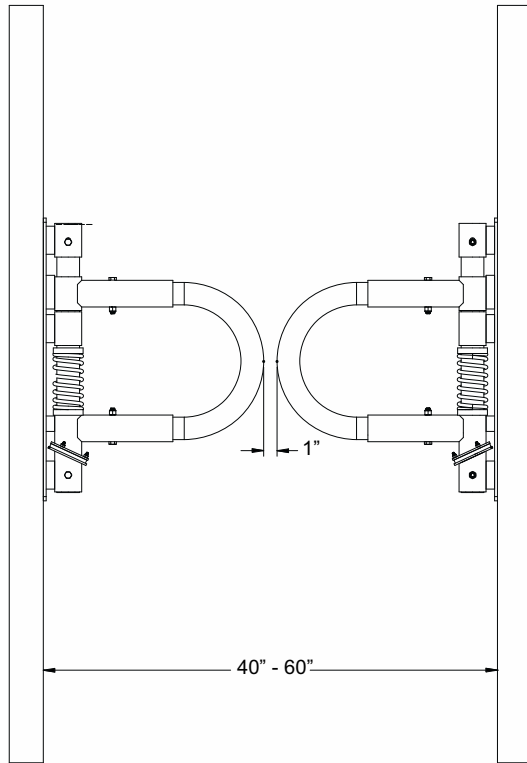
1442600-48PK - 48" FINGER GATE ASSEMBLY



1442910 - ADJ. SALOON GATE (18" TO 36" OPENINGS)

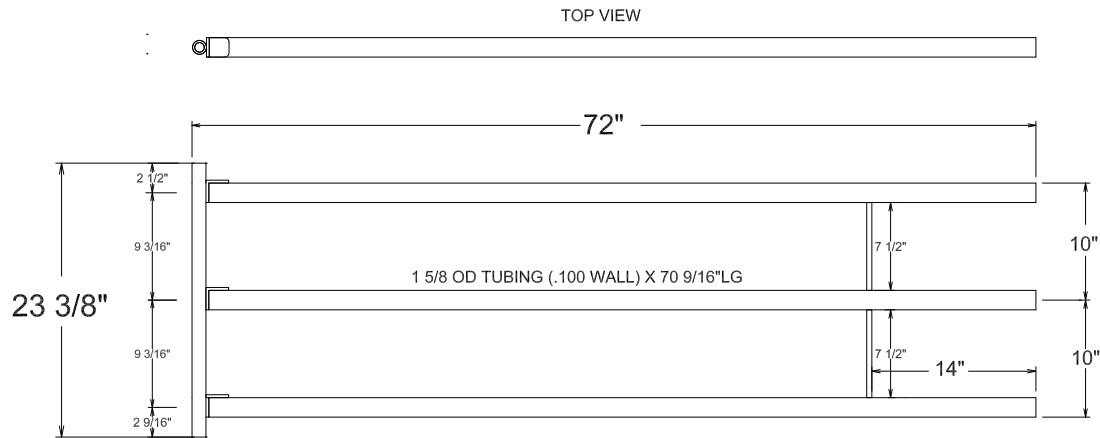


1442920 - ADJ. SALOON GATE (40" TO 60" OPENINGS)

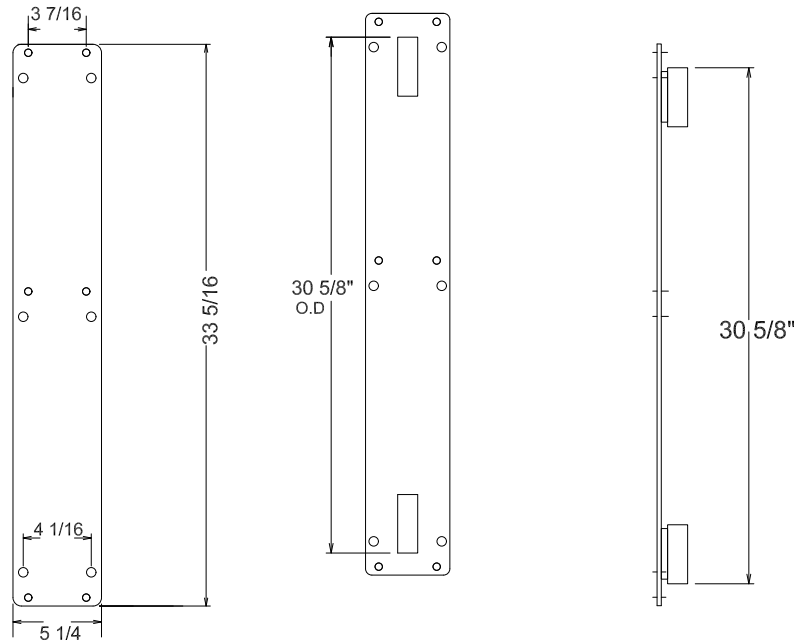


NOTE: When using a single saloon gate it must rest on a post in the closed position.

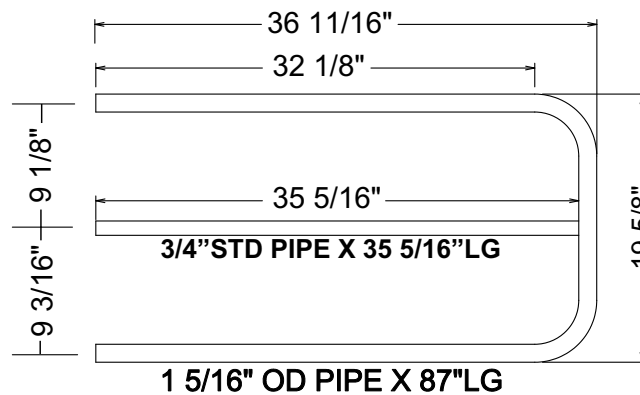
1442960-72A - 72" FREE SWINGING BUMP GATE



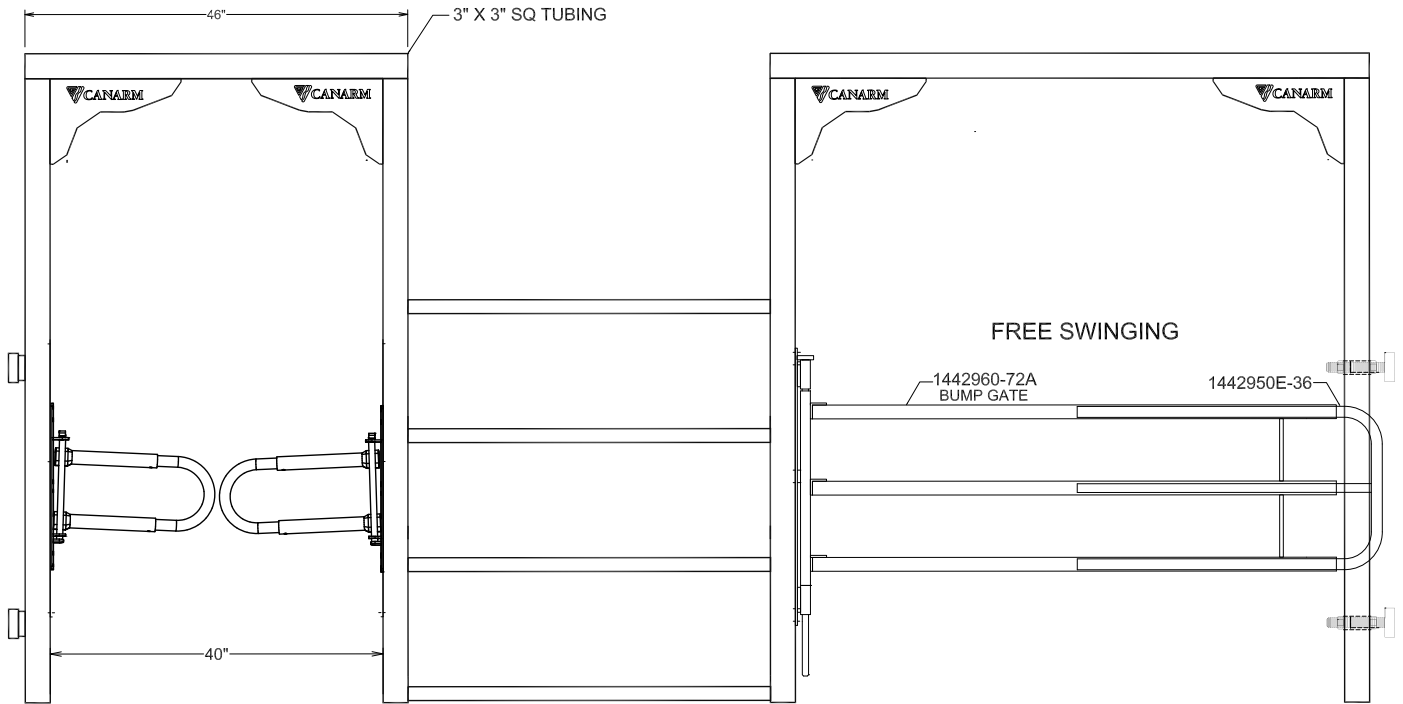
1442960-HNG (INCLUDED IN ABOVE PACKAGE)



1442950E-36 - 36" EXTENSION



ASSEMBLY



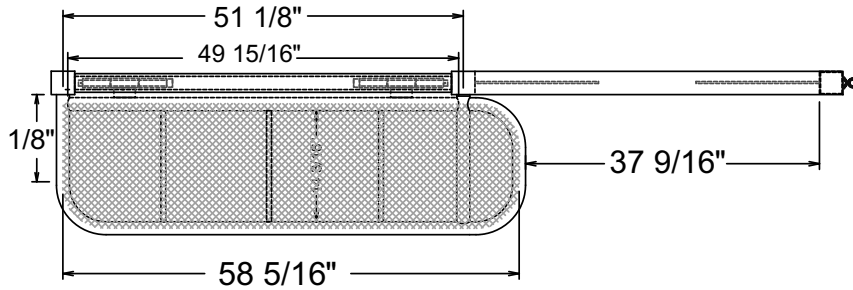
Call for pricing.



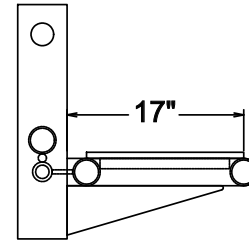
ASSEMBLY

REMOVABLE CLEAN WALK

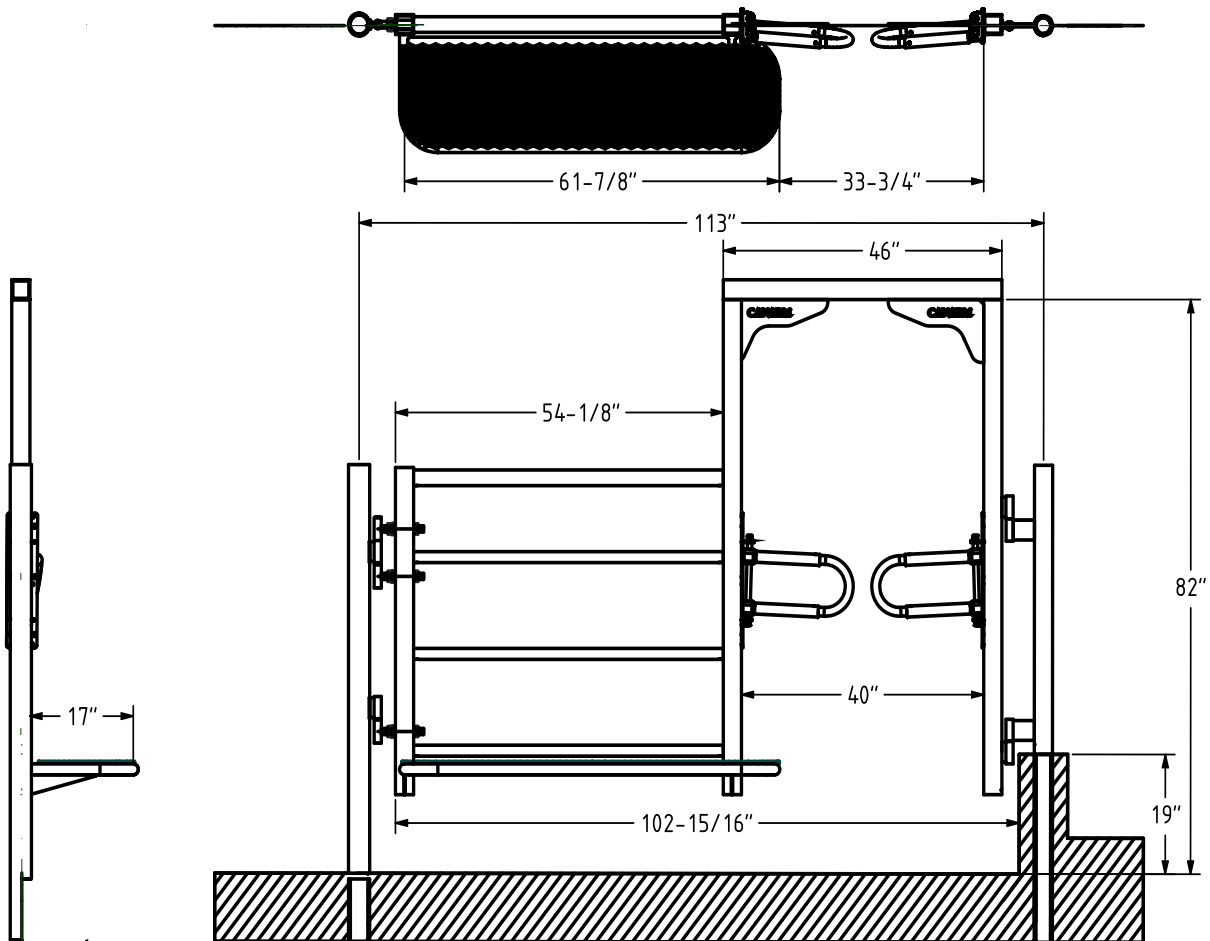
TOP VIEW OF CLEAN WALK



END VIEW OF CLEAN WALK



Call for pricing.



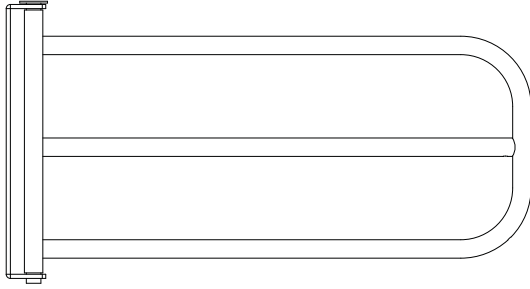
CLEAN WALK BRIDGE



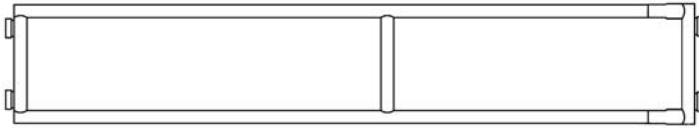
Call for pricing.



SELF CLOSING 3' ONE WAY PARLOR EXIT GATE

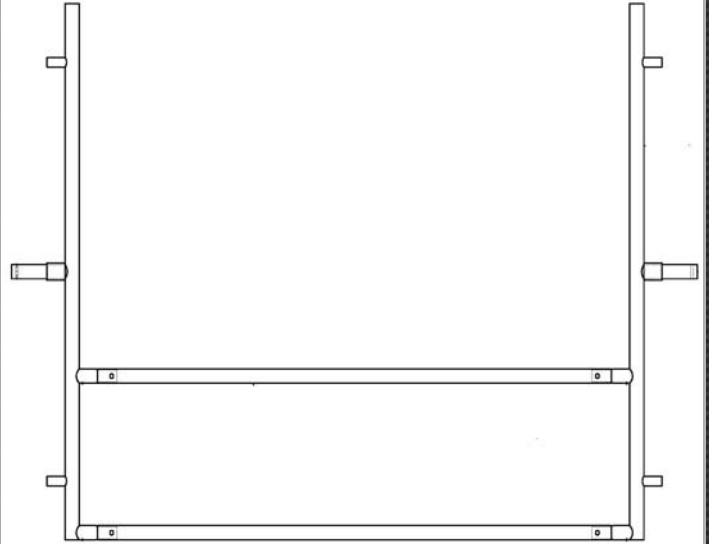


2 BAR GATES 10' AND 13' LG. Order gate end separately from gate.

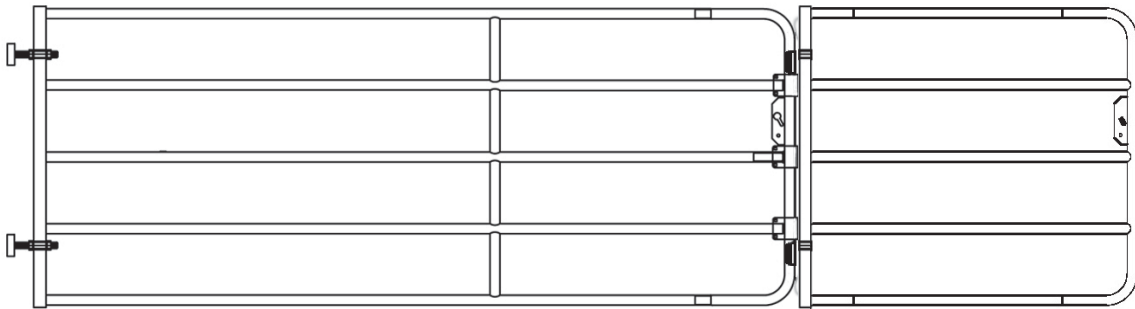


GATE

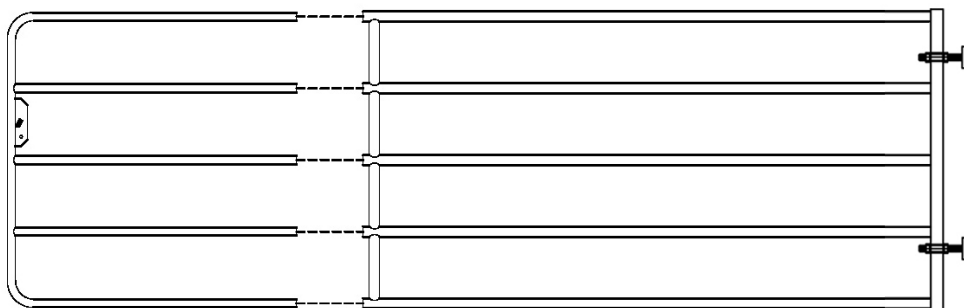
NOTE: MUST BE COUNTERWEIGHTED ON SITE



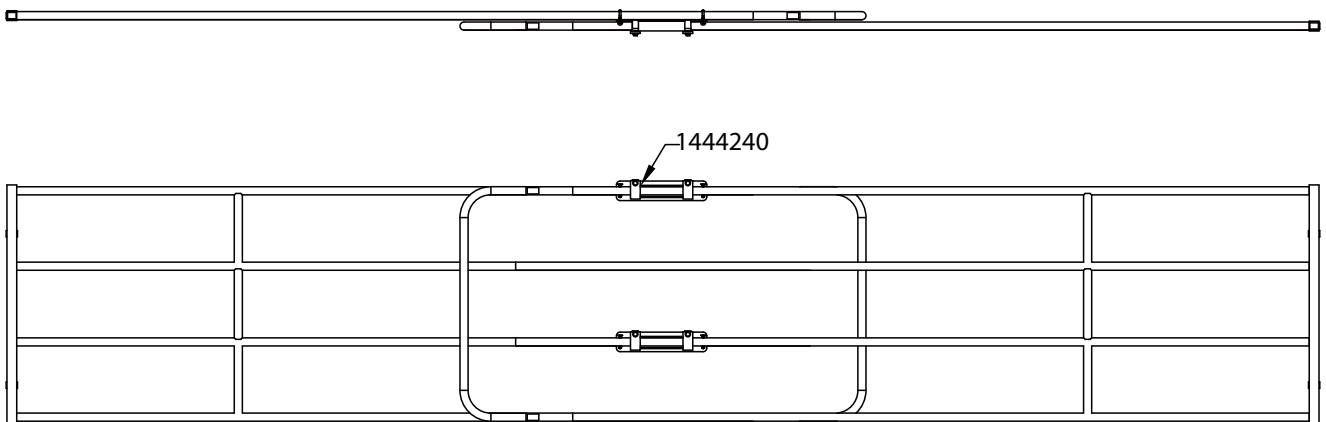
FOLDING GATES



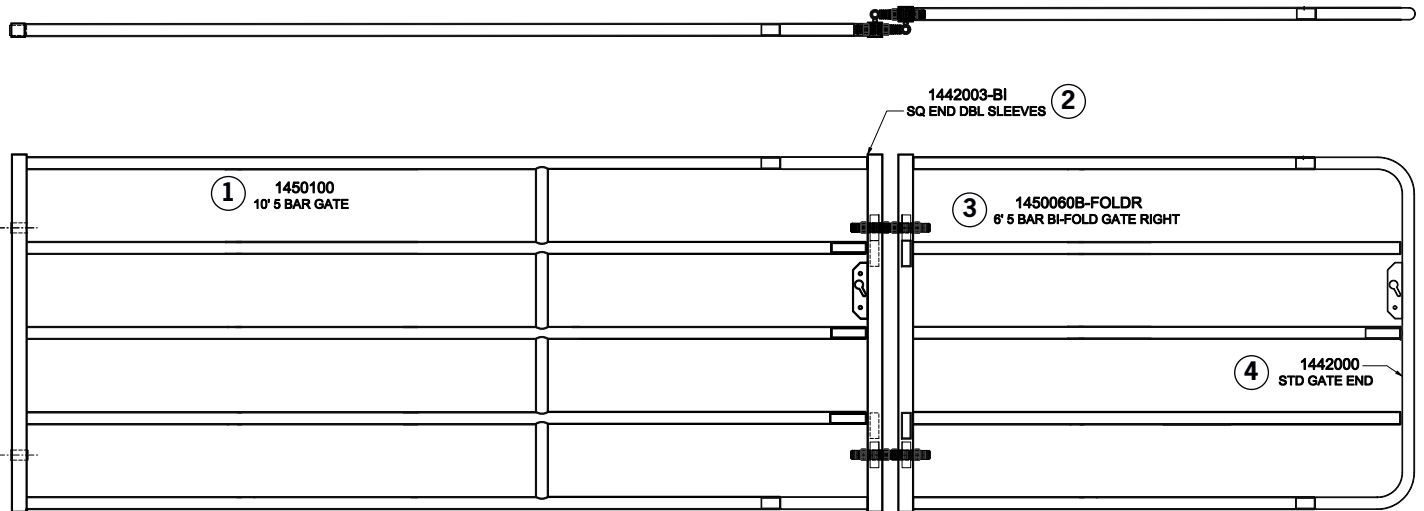
TELESCOPING GATES



1444240 - OVERLAP GATE LATCH

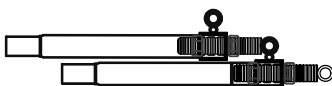
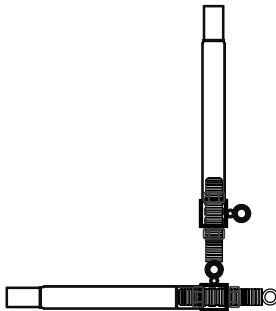


BI-FOLD GATE OPTIONS (Left Shown)



Note: Drill holes and bolt on site

BI-FOLD GATE LEFT (TOP VIEW)

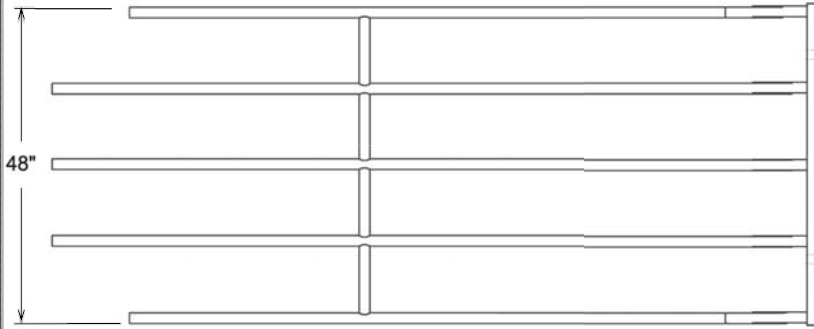


ORDERING GUIDELINES

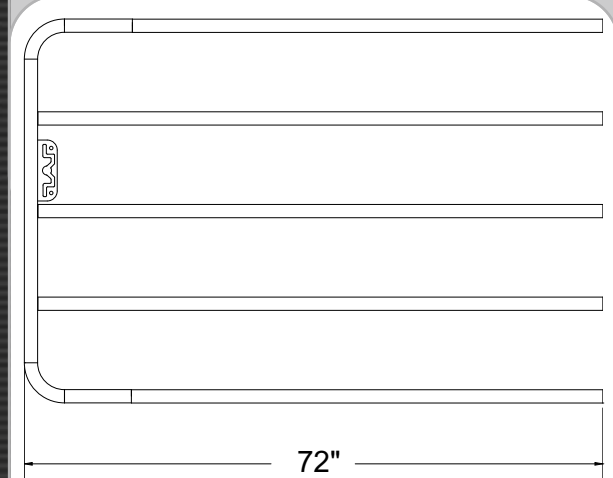
1. Gate package
2. 1450060B-PKL 6' 5-Bar Bi-Fold Gate Left
1450060B-PKR 6' 5-Bar Bi-Fold Gate Right

GATES

- (1450040)** GATE ONLY 45" LG. (4 ft.)
- (1450060)** GATE ONLY 69" LG. (4 ft.)
- (1450080)** GATE ONLY 93" LG. (8 ft.)
- (1450100)** GATE ONLY 117" LG. (10 ft.)
- (1450120)** GATE ONLY 141" LG. (12 ft.)
- (1450140)** GATE ONLY 165" LG. (14 ft.)
- (1450160)** GATE ONLY 189" LG. (16 ft.)



14442001-72N - 5-Bar Gate Extension

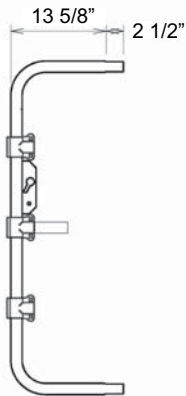


Note: Need to leave 3' of extension inside at all times.

GATE ENDS

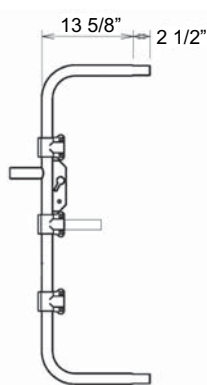
1442001

13" GATE END (c/w 3 CLAMPS)



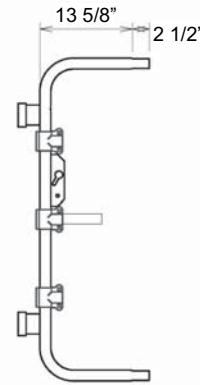
1442001-ST

13" GATE END w/ STUB
(c/w 3 CLAMPS)



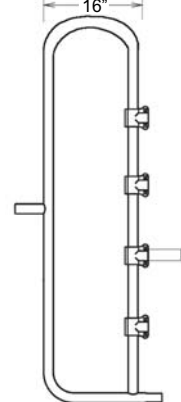
1442001-SL

13" GATE END w/ SLEEVES
(c/w 3 CLAMPS)



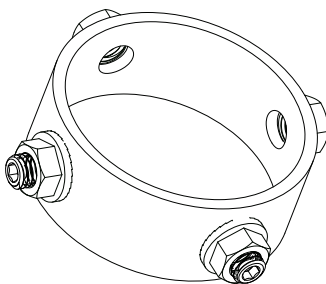
1442001-WT

16" GATE END w/ WALK THRU
(c/w 4 CLAMPS)



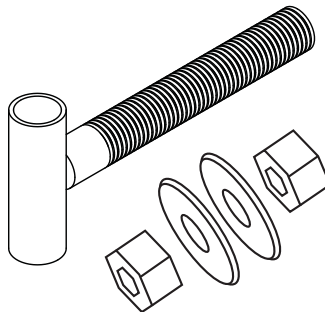
1440009CB

4" OD 2" WIDE BOLT ON COLLAR
GALV KIT (C/W 2 SET SCREWS)



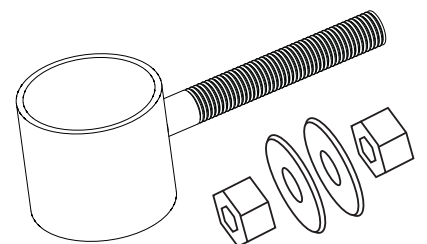
1440007

7" ADJ HINGE + 3/4" ID
SLEEVE + HDW

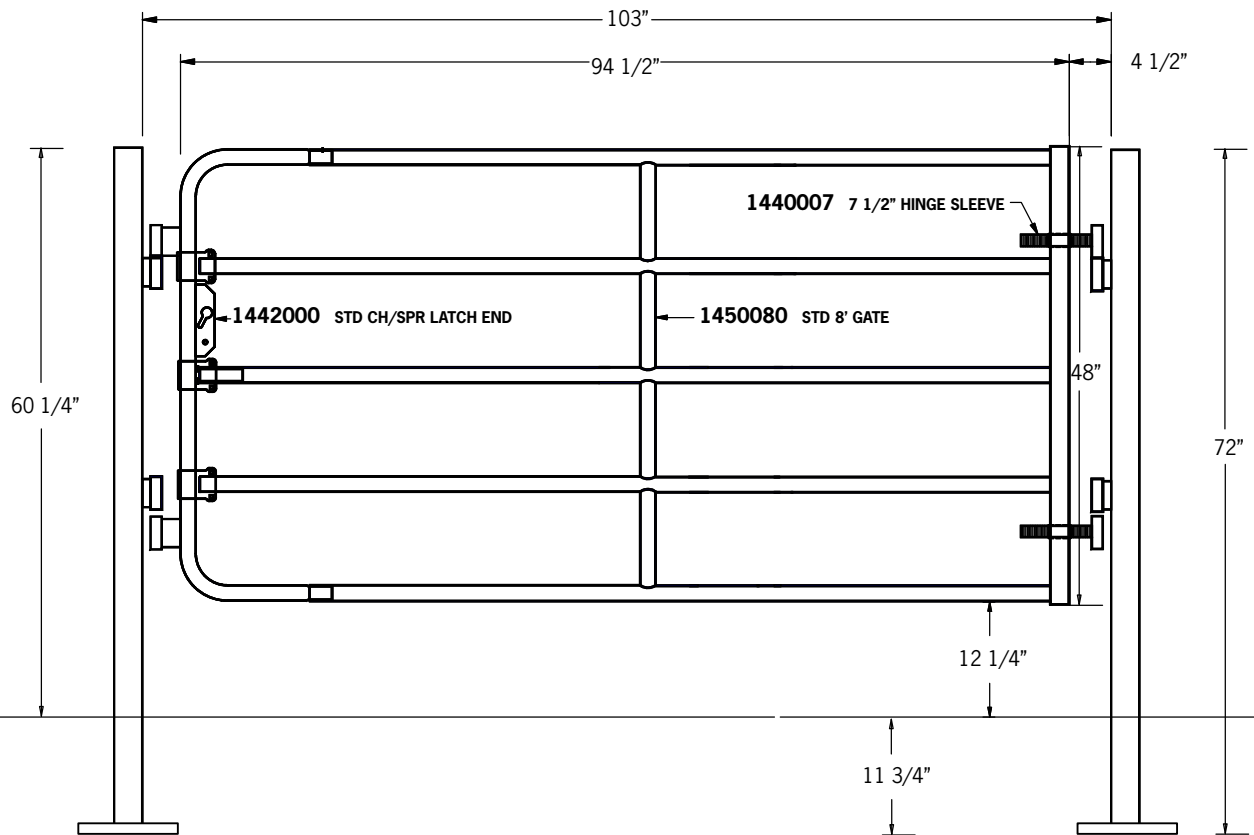
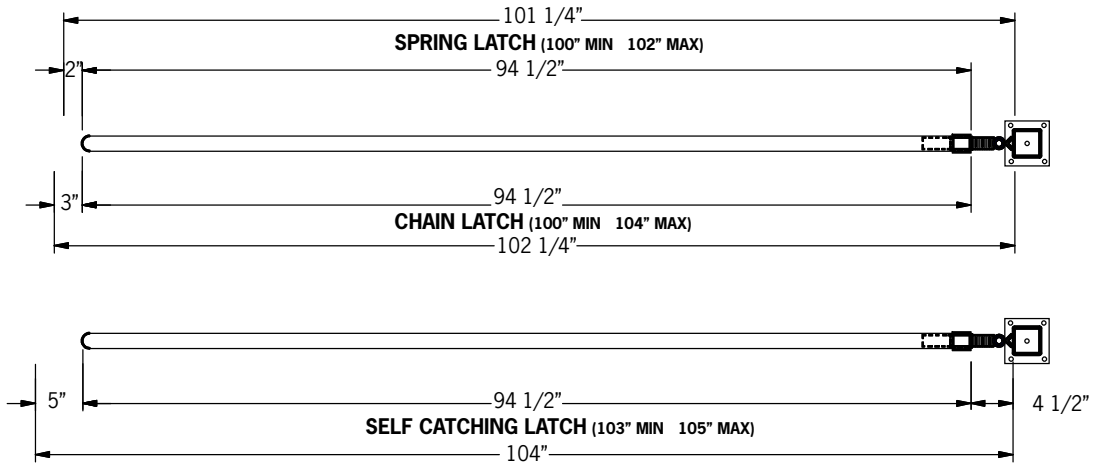


1440009

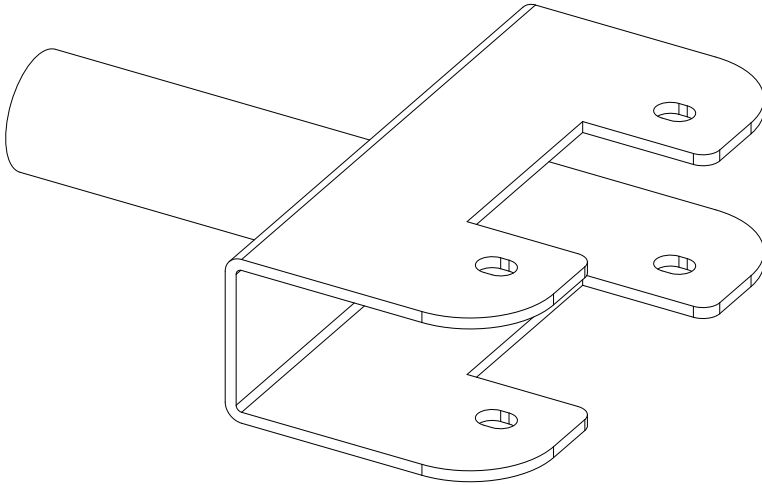
7" ADJ HINGE + 3 1/2" ID
COLLAR 360° + HDW



ASSEMBLY



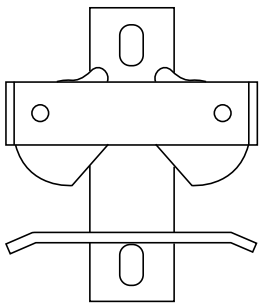
143001-ST BOLT ON STUB END



NOTE: FOR ADJUSTABLE GATE ONLY.

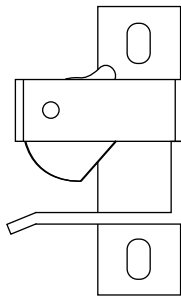
1457250

2-WAY HEAVY
WEIGHTED LATCH



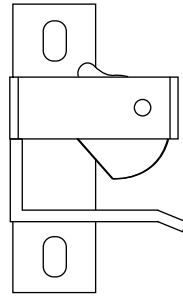
1457250-L

1-WAY HEAVY
WEIGHTED
LATCH - LEFT

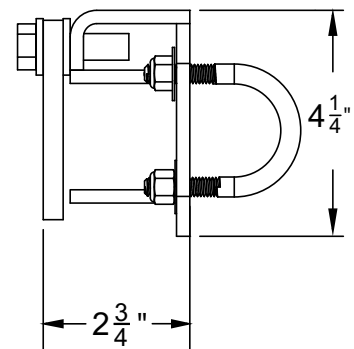
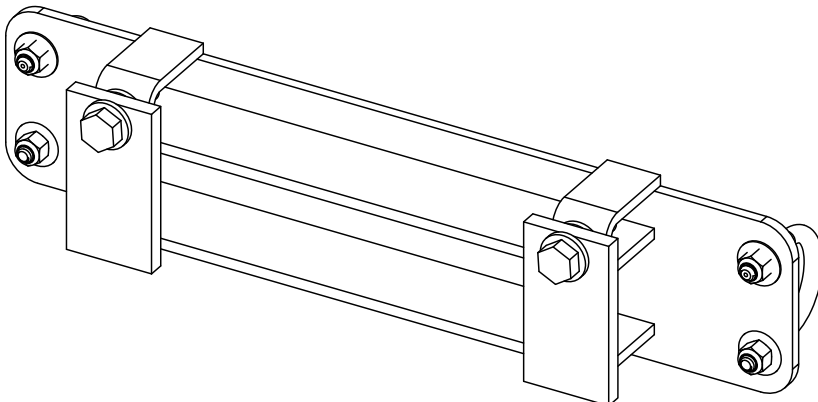


1457250-R

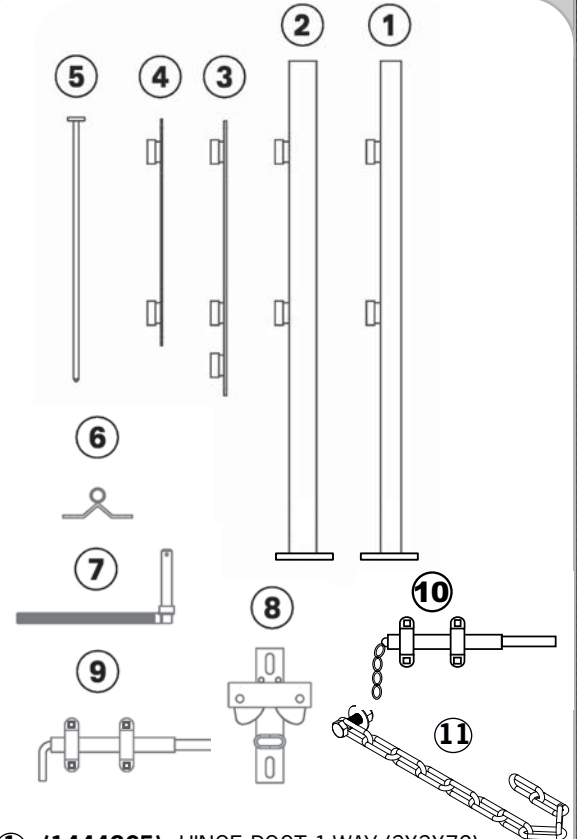
1-WAY HEAVY
WEIGHTED LATCH
- RIGHT



1444240 OVERLAP GATE LATCH

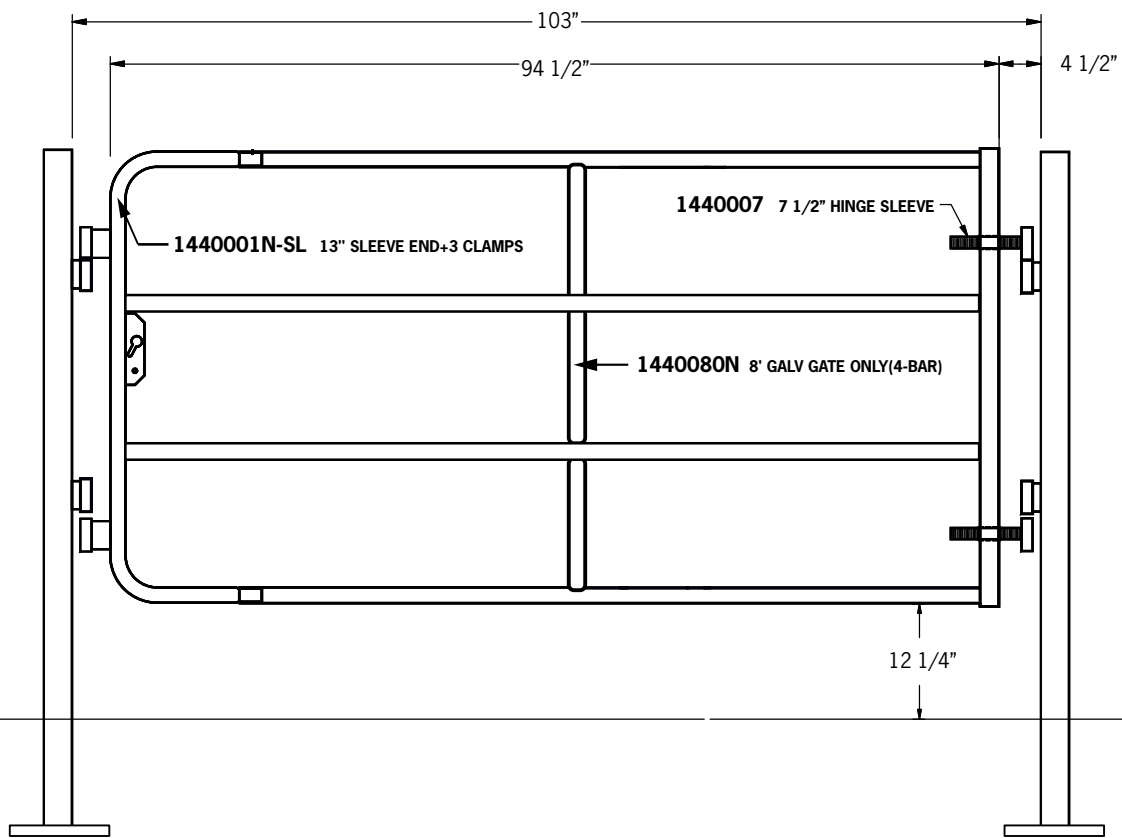
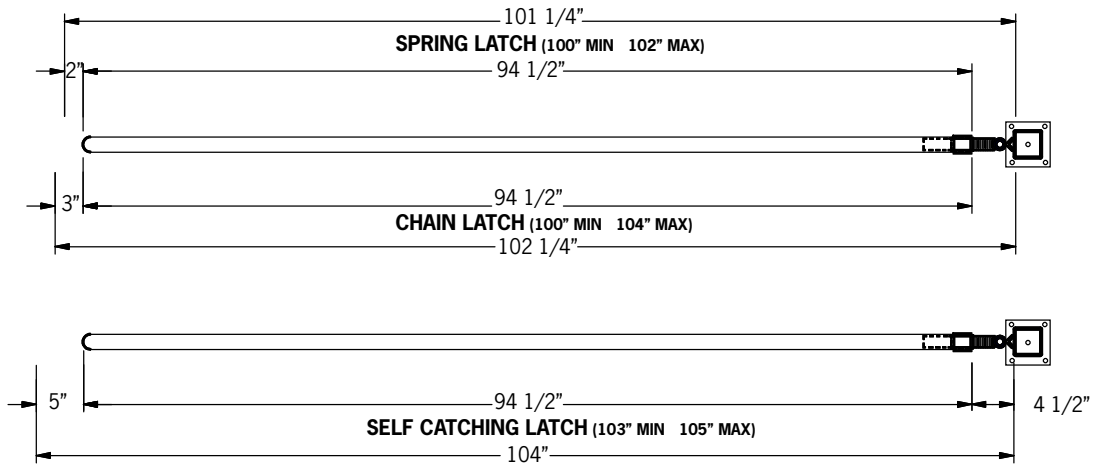


ACCESSORIES



- ① (1444265) HINGE POST 1-WAY (3X3X72)
- ② (144270) HINGE POST 1-WAY (HEAVY ROUND)
- ③ (1444275H) 37' HINGE STRAP - 3 SLEEVES
- ④ (1444275) 33" HINGE STRAP - 2 SLEEVES
- ⑤ (1454252) 5/8" HINGE PIN
- ⑤ (1454252-3/4) 3/4" HINGE PIN
- ⑥ (1454240) SINGLE HINGE / GATE
- ⑦ (1454255) 3/4" X 12" GALV. HINGE + NUTS & WASHERS
- ⑧ (1454250) HEAVY DUTY SELF CATCH LATCH
- ⑨ (1444260) SPRING LOADED LATCH + CLAMP
- ⑩ (1444263-CH) SPRING LOADED LATCH + CHAIN
- ⑪ (1454251) FIELD GATE CHAIN LATCH, 42" LG

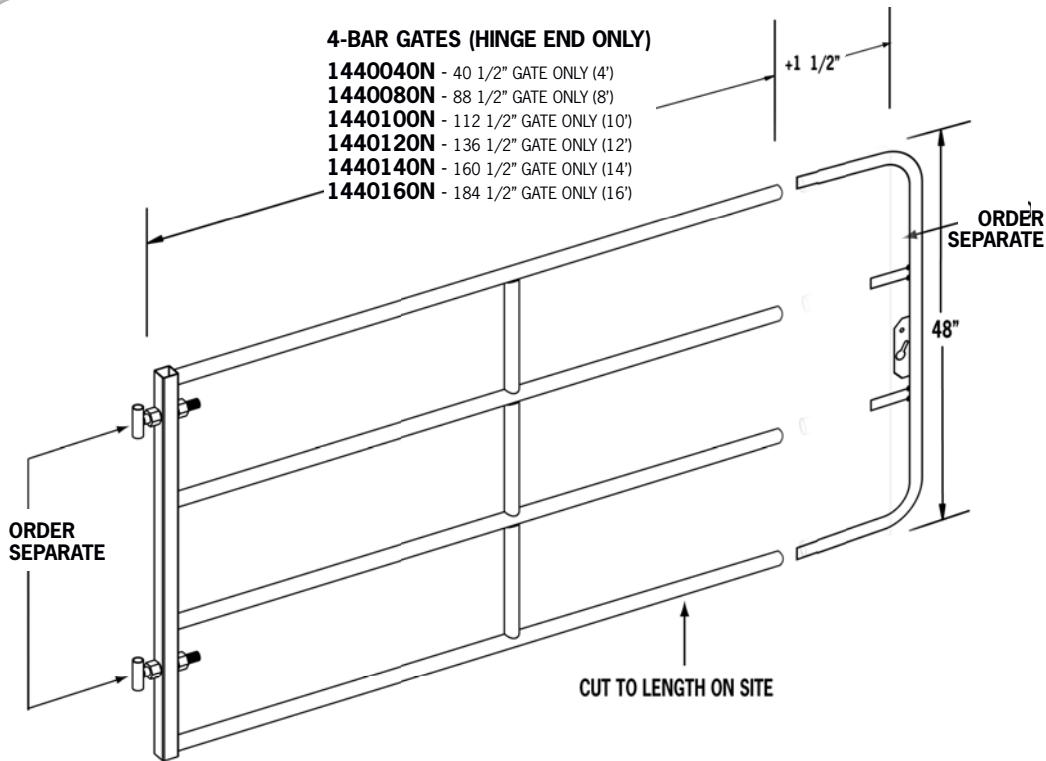
ASSEMBLY



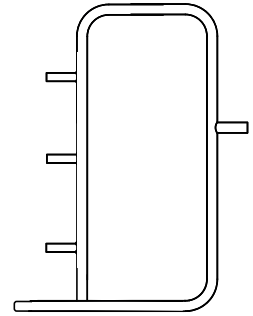
4 BAR GATE

4-BAR GATES (HINGE END ONLY)

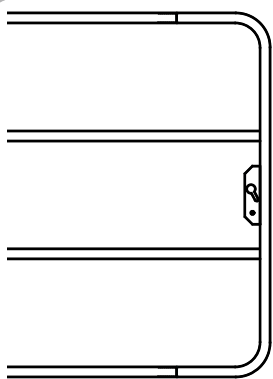
- 1440040N** - 40 1/2" GATE ONLY (4')
- 1440080N** - 88 1/2" GATE ONLY (8')
- 1440100N** - 112 1/2" GATE ONLY (10')
- 1440120N** - 136 1/2" GATE ONLY (12')
- 1440140N** - 160 1/2" GATE ONLY (14')
- 1440160N** - 184 1/2" GATE ONLY (16')



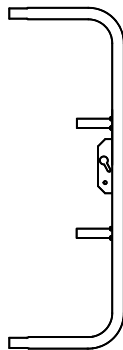
1440001N-WT STD GALV END (4-BAR) + WALK THRU + CLAMPS



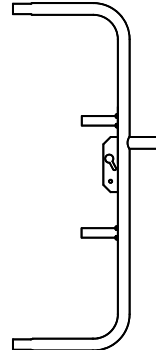
1440000-60N STD. 4-BAR GATE EXT ONLY 60" LG



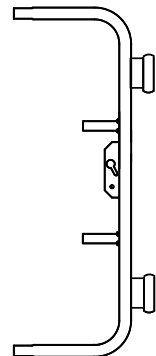
1440001N 2 STUB GATE END + CH LATCH + CLAMPS (4 BAR GATE)



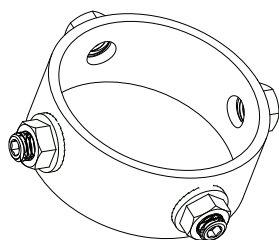
1440001N-ST 2 STUB GATE END + LATCH STUB + CLAMPS (4 BAR GATE)



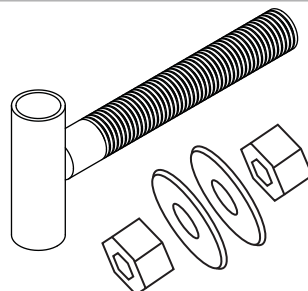
1440001N-SL 2 STUB GATE END + SL + CLAMPS (4 BAR GATE)



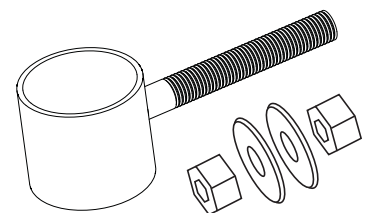
1440009CB 4" OD 2" WIDE BOLT ON COLLAR GALV KIT (C/W 2 SET SCREWS)



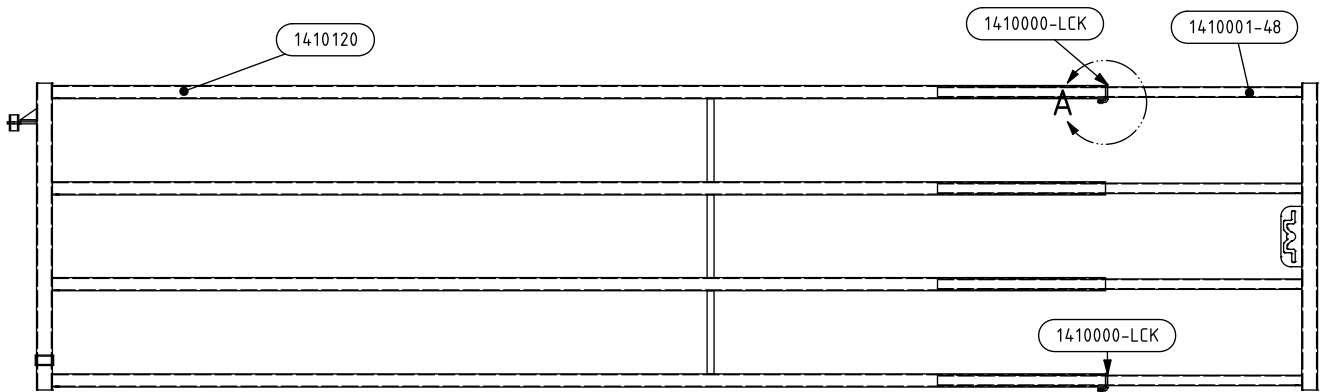
1440007 7" ADJ HINGE + 3/4" ID SLEEVE + HDW



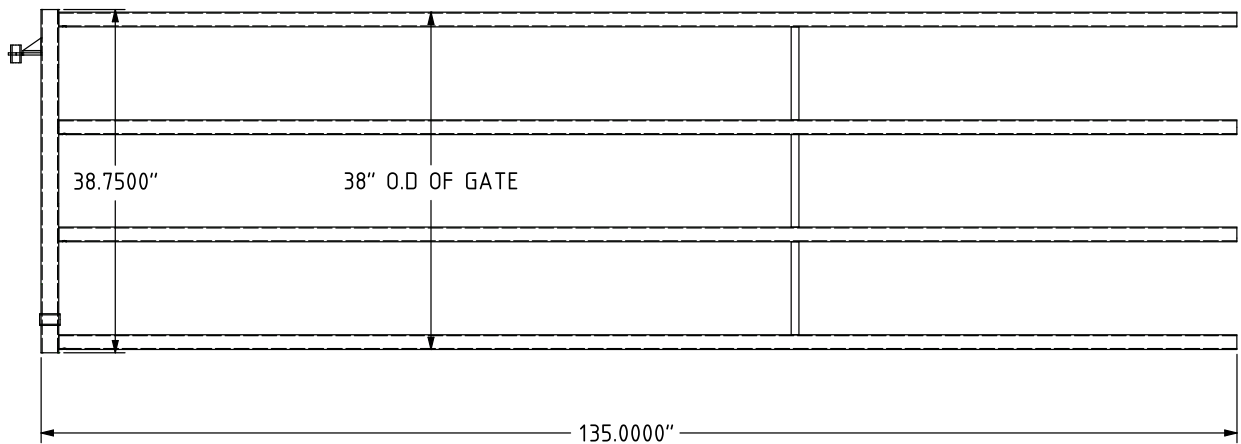
1440009 7" ADJ HINGE + 3 1/2" ID COLLAR 360° + HDW



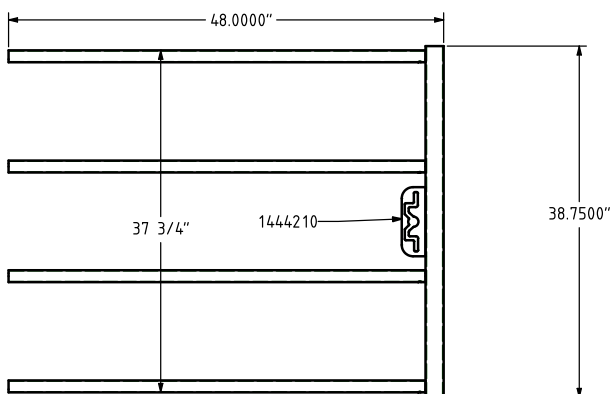
1411120-48PK
12FT 4 BAR ADJ CALF GATE W/48" END PKG



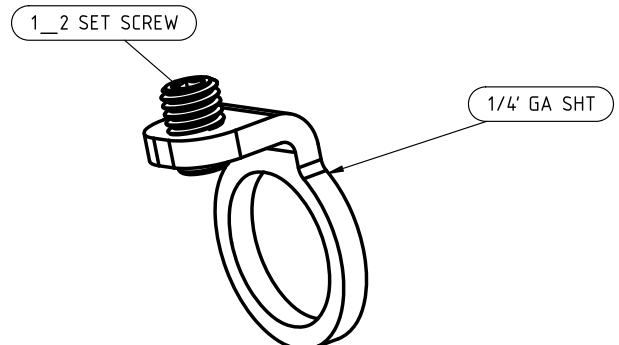
1410120
12 FT GATE ONLY



1410001-48
48" END ONLY

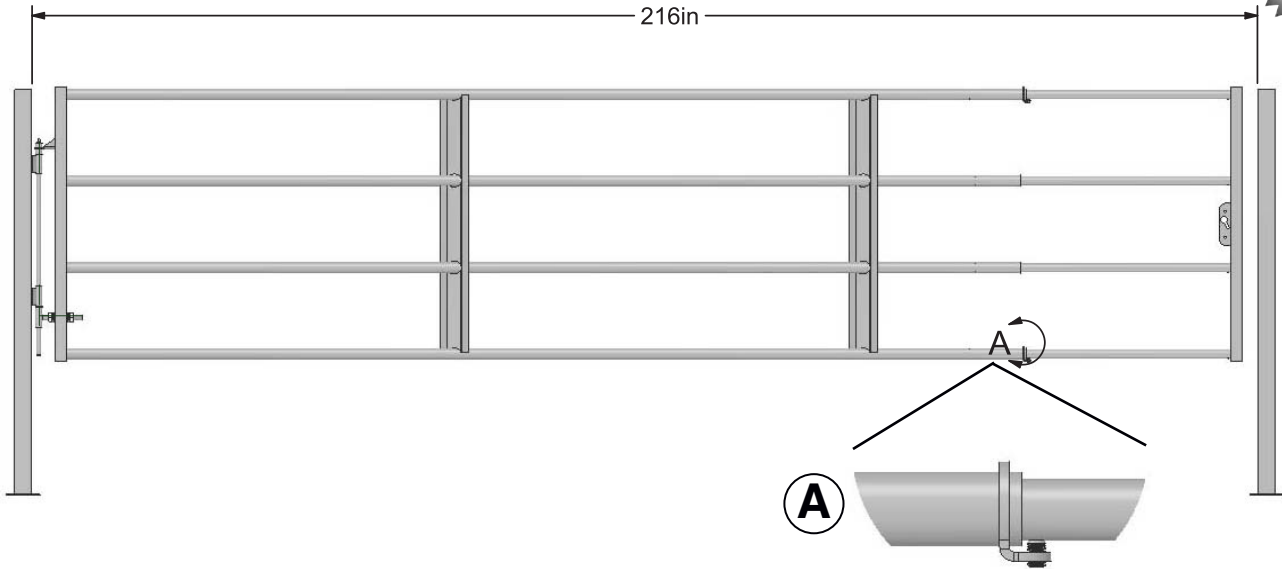


1410000-LCK
LOCKING BRACKET

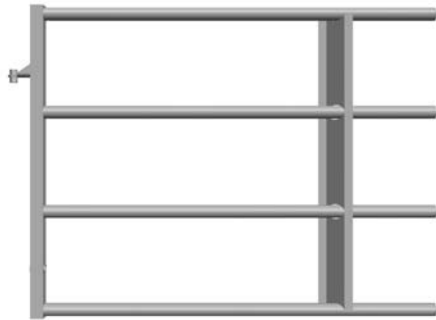


1431150-48PK - 15FT- 4-BAR ADJ. GATE W/48" END PKG

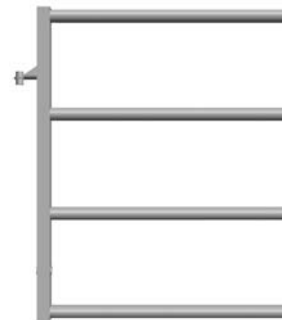
NEW



1430060 - 4-BAR ADJ. GATE ONLY X 6' LG



1430030 - 4-BAR ADJ. GATE ONLY X 3' LG"



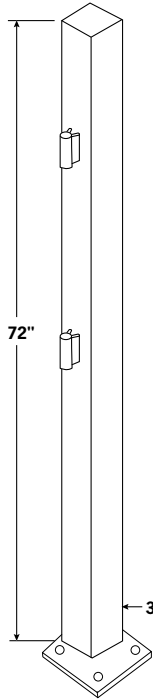
1430001-24 - GATE END EXTENSION X 24" LG
(4-BAR)

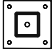
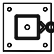


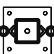
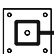


1430001-48 - GATE END EXTENSION X 48" LG
(4-BAR)

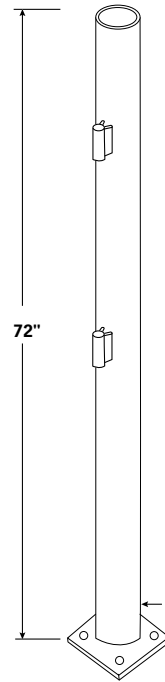


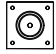
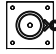



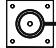
1444265
HINGE POST 1-WAY (3X3X72)



-  **1444268**
-  **1444265**
-  **1444265-2C**
-  **1444265-3**
-  **1444265-2S**
-  **1444265-1EXT**

1444270
HINGE POST 1-WAY (3 1/2" OD ROUND, .312 WALL)



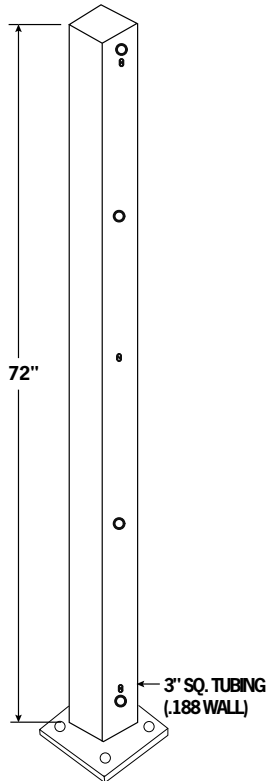
-  **1444272**
-  **1444270**
-  **1444270-2C**
-  **1444270-2S**
-  **1444270-3**
-  **1444270-1EXT**

Different sleeve options available.

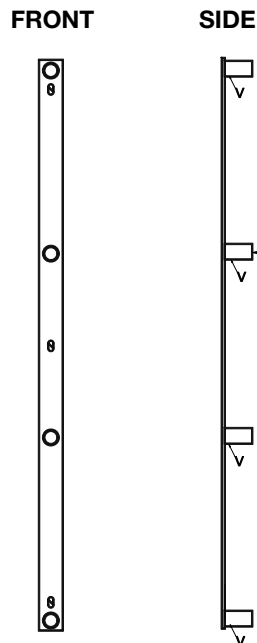


Call for pricing.

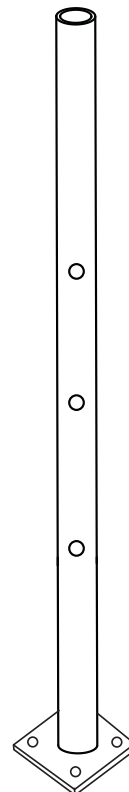
1444255-4
POST WITH HOLES FOR BOLT ON STRAP (3X3X72)



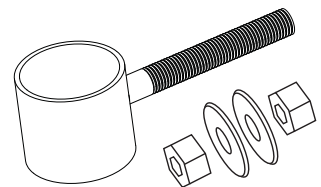
144257-4
BOLT ON STRAP



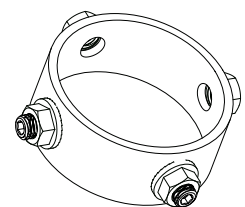
1444274H-96
96" ROUND POST WITH HOLES



1440009
7" ADJ HINGE + 3 1/2" ID COLLAR 360° + HDW

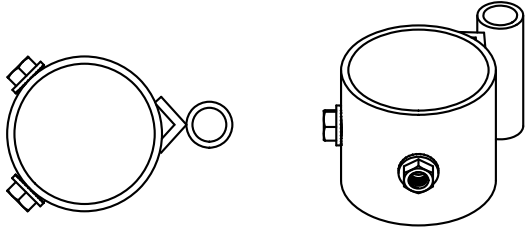


1440009CB
BOLT ON COLLAR



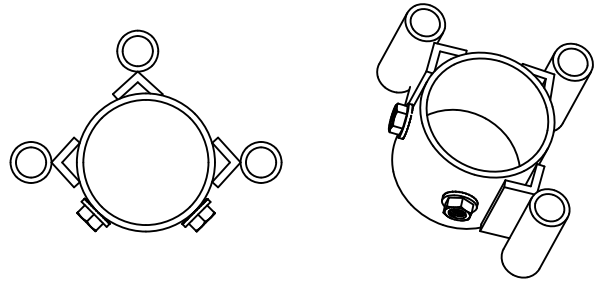
1444281

3 1/2 " COLLAR SL - 1 WAY HINGE



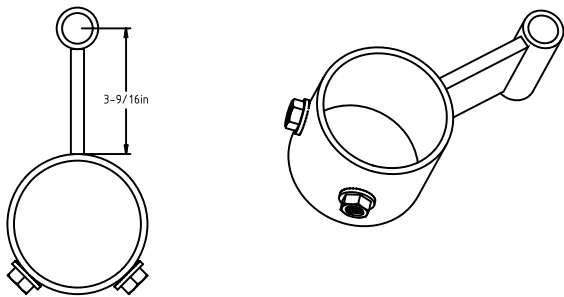
1444283

3 WAY SLEEVE COLLAR



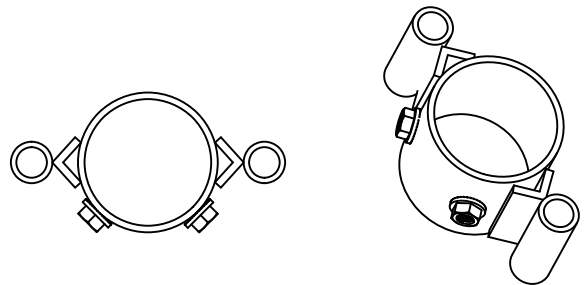
1444281-EXT

1 WAY SLEEVE COLLAR (EXTENSION SL)



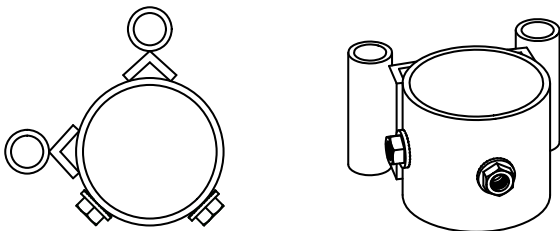
1444282

2-WAY SLEEVE COLLARS



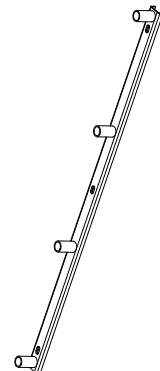
1444282-C

3 1/2 " COLLAR + 2-WAY EXTENDED HINGES



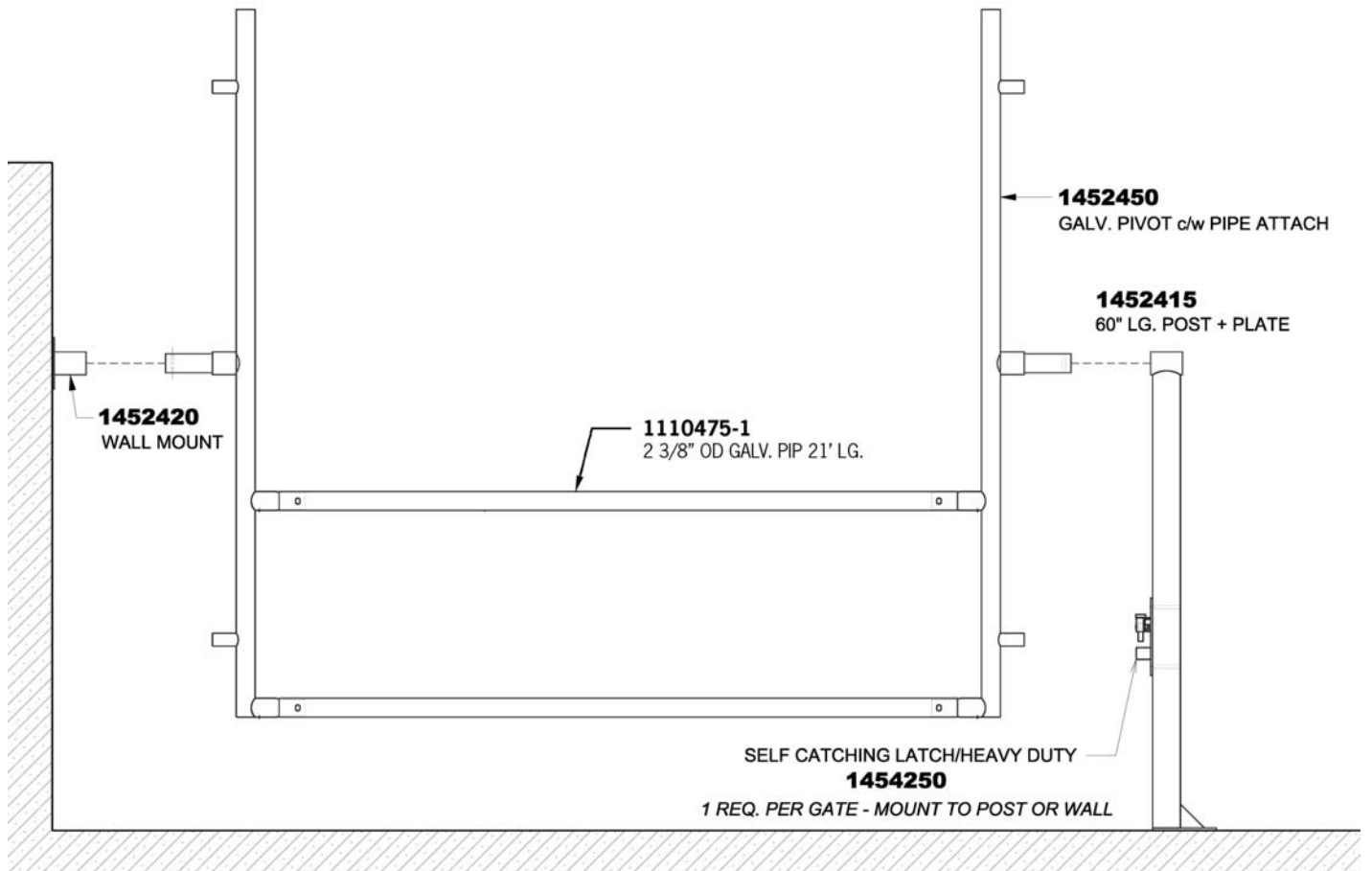
1444290-4

BOLT ON CHANNEL WITH 4 STUBS



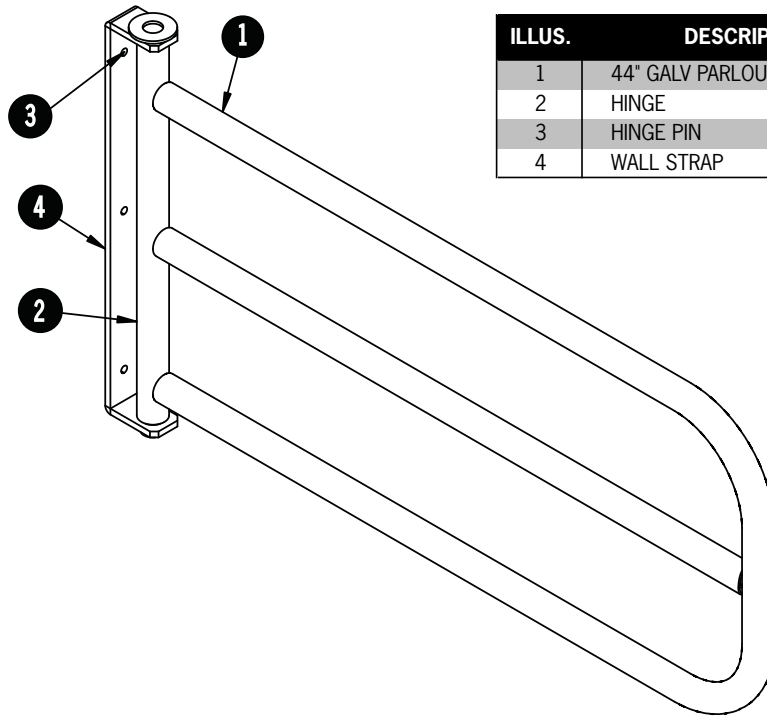
ASSEMBLY

NOTE: MUST BE COUNTERWEIGHTED ON SITE



1442500

PARLOUR GATE PKG. ASSEMBLY

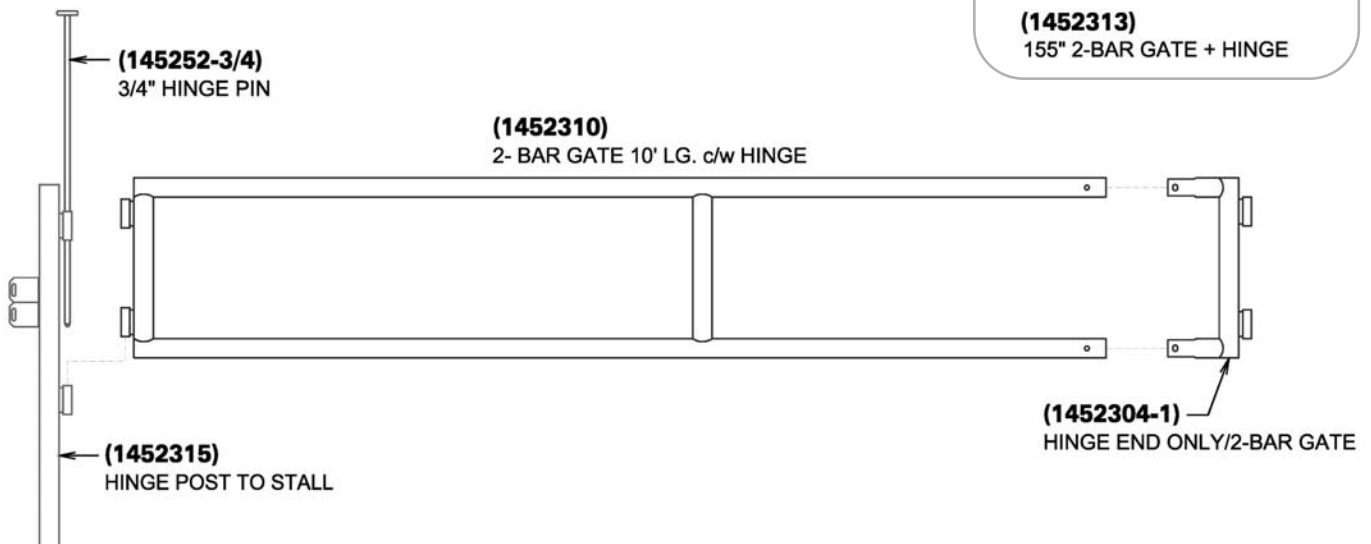


ILLUS.	DESCRIPTION	PART #
1	44" GALV PARLOUR GATE ARCH	1442510
2	HINGE	1442515
3	HINGE PIN	1442515_PIN
4	WALL STRAP	1442517

1452310

2 BAR GATE ASSEMBLY

Order gate end separately from gate.



ALSO AVAILABLE
(1452313)
155" 2-BAR GATE + HINGE

GATES

4-BAR GATES

1. **Order gate** - Specify length
2. **Order ends** - Without stub, with stub or 60" ext.
3. **Order hinge or collar** - Order required hinge adjustable sleeve or 360 degree collar type
4. **Order latch system** - Order chain latch or spring loaded or self catching
5. **Order posts or hinge straps as needed**
6. **Order hinge pins**

ADJUSTABLE 5-BAR GATES

1. **Order gate package** - Specify length, includes 1 - 3/4" pin & clamped end
NOTE: A 10' gate is 120" lg
- Must order gate as parts if you require a double pin or stub-end gate
2. **Order latch** - Four choices available if appropriate gate is ordered
3. **Order hinge post** - Posts are cement-in

2-BAR GATES

1. **Order gate (120" or 155")** - Includes hinge on one end
2. **Order ends** - Order 1 hinge end per gate
- Order 2 hinge pins per gate
3. **Order gate to stall post** - When mounting to freestall