



FEATURES

- Hot dipped galvanized or pre-galvanized loop option.
- Heavy galvanized 3 1/2" post
- Easy installation
- Adjustable height
- Cow friendly loop profile to allow lunge space
- Available in 79", 88", and 94" long loops.



CANARM LTD. - Corporate Office
2157 Parkedale Ave., Brockville, ON
Canada K6V 5V6
Tel: (613) 342-5424 Fax: 1-800-263-4598

CANARM LTD. - USA Warehouse
808 Commerce Park Drive
Ogdensburg, New York, USA 13669
Tel: 1-800-267-4427 Fax: 1-800-263-4598

Arthur Manufacturing Facility
#7686 Concession 16, RR 4 Arthur, ON
Canada NOG 1A0
Tel: (519) 848-3910 Fax: (519) 848-3948

Web Site: www.canarm.com

E-Mail: agsales@canarm.ca

Subject to Change without notice.

Printed in Canada



FEATURES

- Excellent front and side lunge
- Available in 79.5", 88" & 94" lengths
- Hot dipped galvanized or pre-galvanized loop option.
- Very cow friendly
- Only 1 post required for every 4 stalls
- Mounted to floor to create stability



CANARM LTD. - Corporate Office
2157 Parkedale Ave., Brockville, ON
Canada K6V 5V6
Tel: (613) 342-5424 Fax: 1-800-263-4598

CANARM LTD. - USA Warehouse
808 Commerce Park Drive
Ogdensburg, New York, USA 13669
Tel: 1-800-267-4427 Fax: 1-800-263-4598

Arthur Manufacturing Facility
#7686 Concession 16, RR 4 Arthur, ON
Canada NOG 1A0
Tel: (519) 848-3910 Fax: (519) 848-3948

Web Site: www.canarm.com

E-Mail: agsales@canarm.ca

Subject to Change without notice.

Printed in Canada



FEATURES

- Open concept design resulting in elevated comfort levels.
- Greater space between the pipes to minimize headswing restrictions.
- Large lower opening does not interfere with curb hip when lying down, bruising is prevented.
- Headrail installed at 48", therefore cow does not damage top of shoulder as she tries to stand.
- Maximizes forward mobility space.
- Plate mounted for increased strength and durability.
- Freestalls made of heavy duty 2 3/8"OD tube and hot dipped galvanized for longevity.
- Fully adjustable neckrail and brisket bracket.
- Heavy duty 3 1/2" post with gusset for increased strength.
- Available in 79.5", 88" & 94" lengths.
- Freestalls also available in calf and heifer models (1 5/8" OD pipe).

HEAVY-DUTY HEADRAIL CLAMP



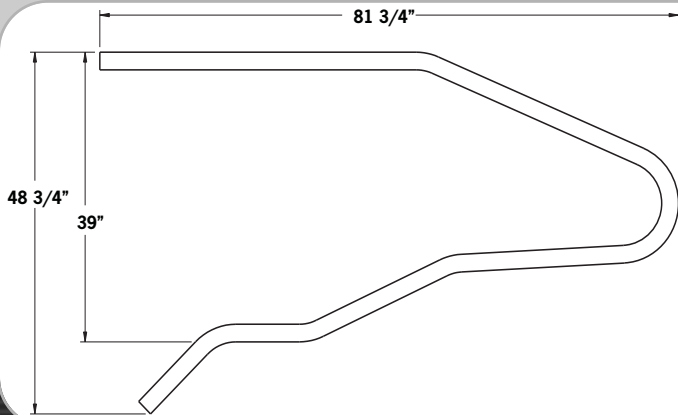
BRISKET BRACKET



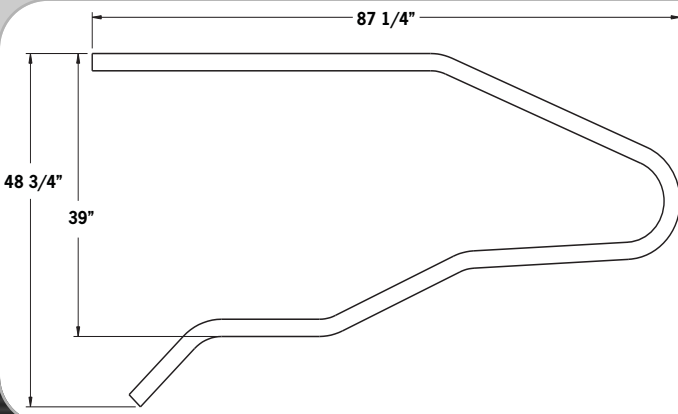
- Heavy-duty headrail clamp significantly increases stall strength and stability.
- Brisket bracket attaches to the floor to eliminate any obstructions.
- Easily adjustable to accommodate different animal sizes.



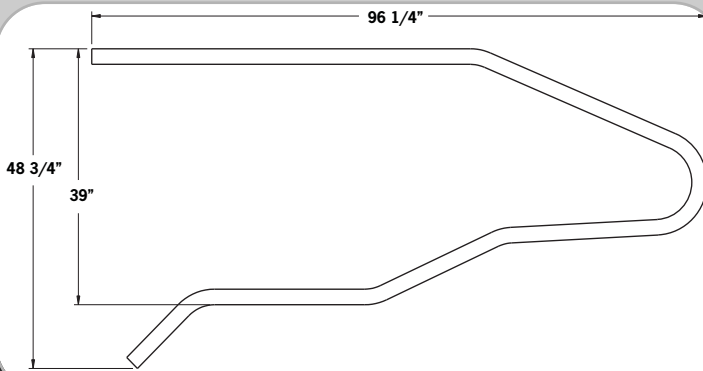
79 1/2" GALV. FREESTALL FLOOR MOUNT - 1012227



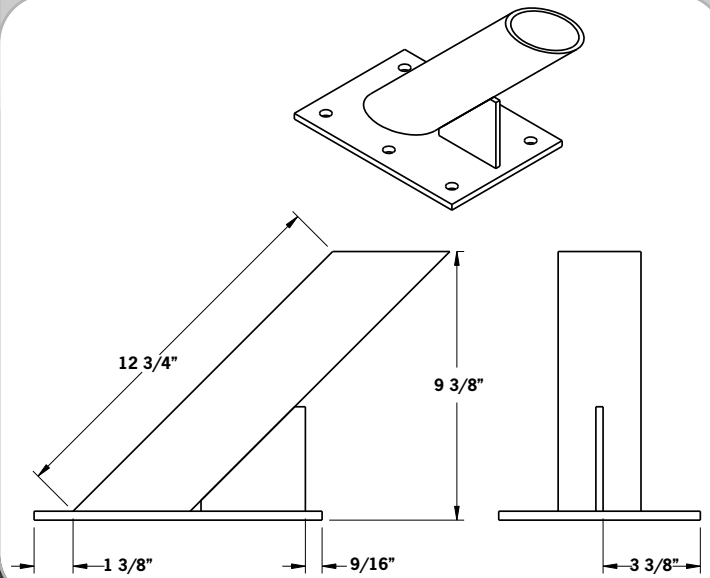
88" GALV. FREESTALL FLOOR MOUNT - 1012228



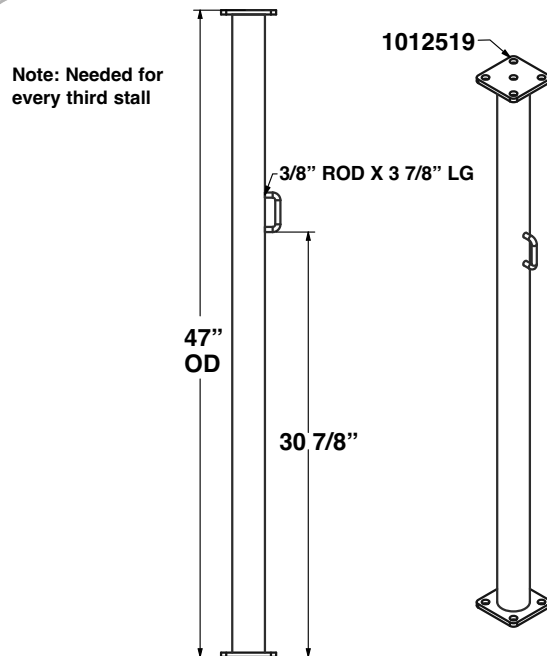
94" GALV. FREESTALL FLOOR MOUNT - 1012229



GALV. FLOOR MOUNT BRACKET/FREESTALL - 1012221



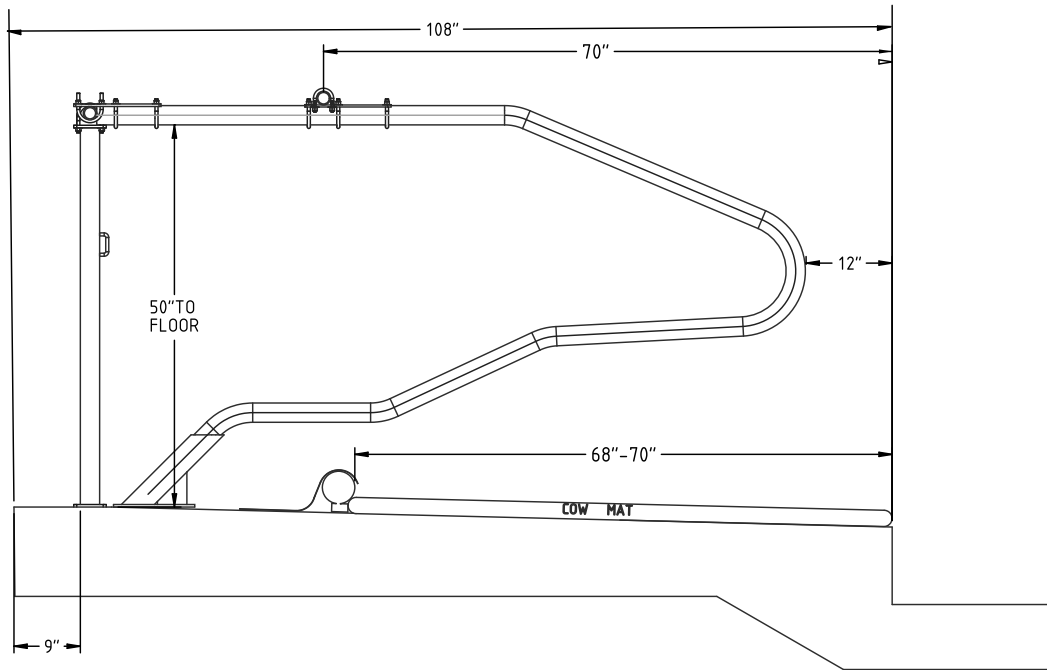
EEZY LUNGE POST (47") PLUS STRAP BRACKET - 1012670



EEZY LUNGE FLOOR MOUNT FREESTALL

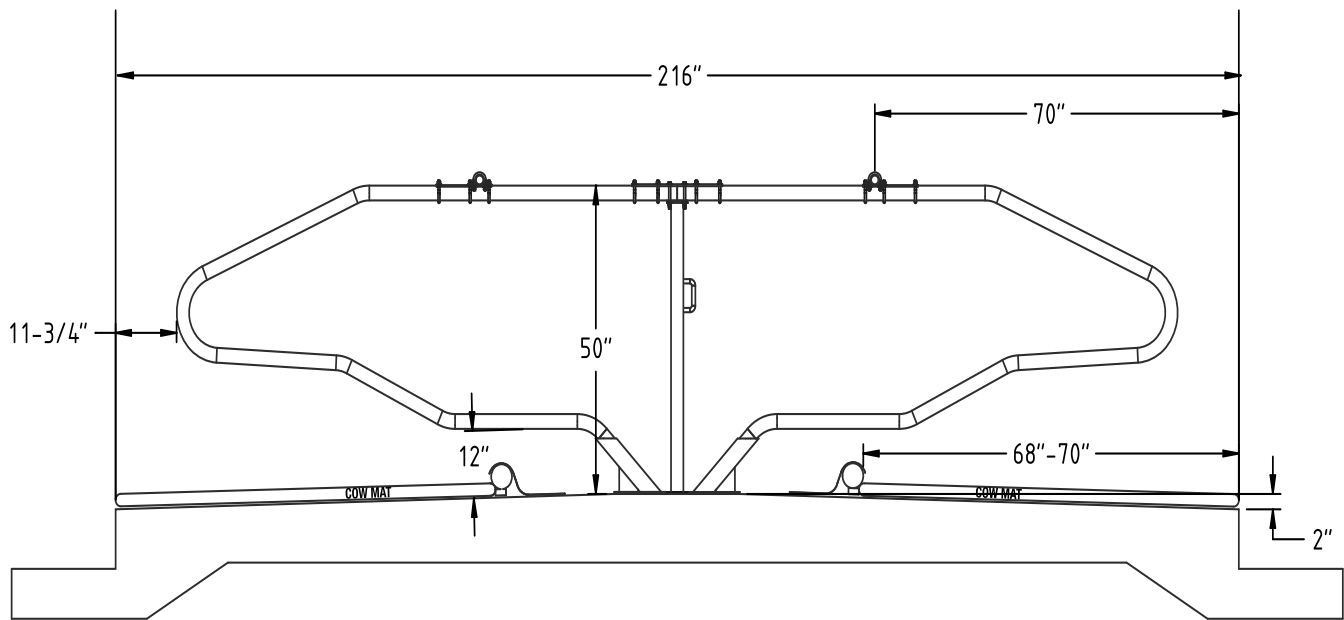
DESCRIPTION	PART #
79 1/2" GALV. FREESTALL FLOOR MOUNT	1012227
88" GALV. FREESTALL FLOOR MOUNT	1012228
94" GALV. FREESTALL FLOOR MOUNT	1012229
GALV. FLOOR MOUNT BRACKET/FREESTALL	1012221
GALV. P. 4" X 10 3/4" + U-BOLT (SINGLE MOUNT)	1012223
EEZY LUNGE POST (47") PLUS STRAP BRACKET	1012670
GALV. PL 5 3/8" X 17 3/8" U-BOLTS (DOUBLE MOUNT)	1012225
X-OVER 2 3/8" X 1 5/8" (10" PL + 5-U-BOLTS) - BOX OF 10	101169-10
X-OVER 2 3/8" X 1 5/8" (DIAMOND SHAPED PLATE + U-BOLT) - BOX OF 10	101179-10

9' OUTSIDE PLATFORM - 1 X 1012228 SHOWN



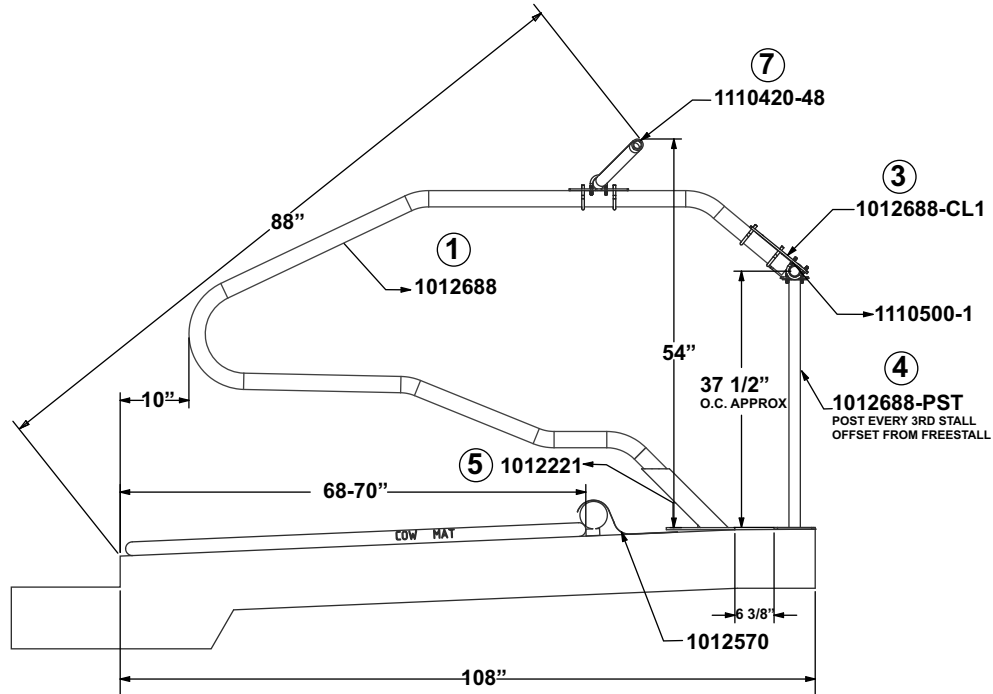
Note: Post needed every third stall

18' PLATFORM WITH GALVANIZED EEZY LUNGE STALL - 2 X 1012229 SHOWN



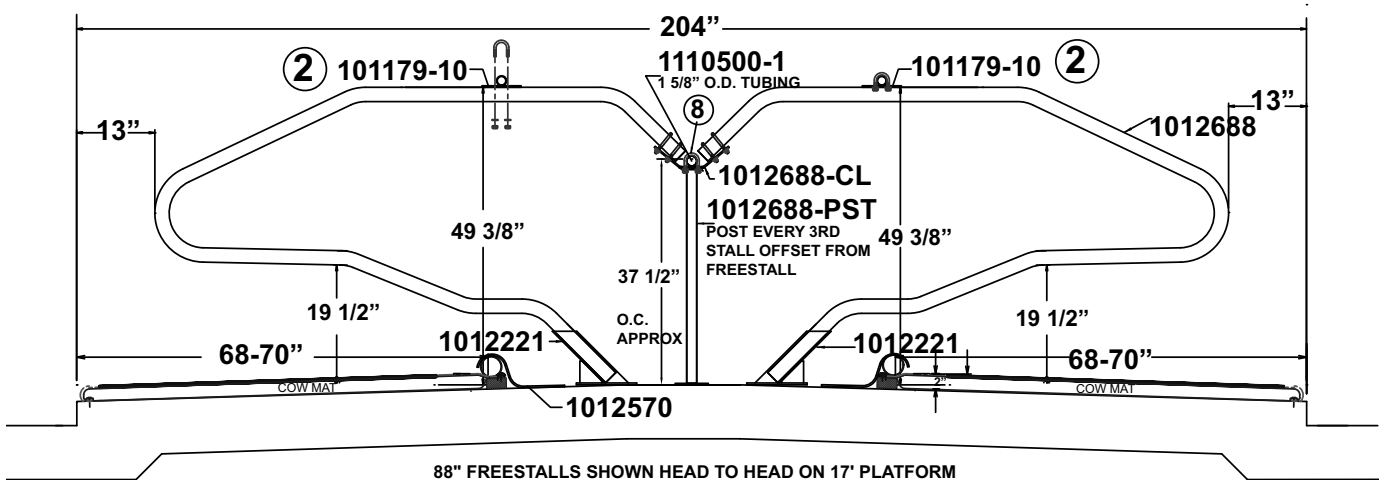
Note: Post needed every third stall

EEZY LUNGE DROP DOWN FRONT FREESTALL WITH CURVED HEAD RAIL SINGLE ROW

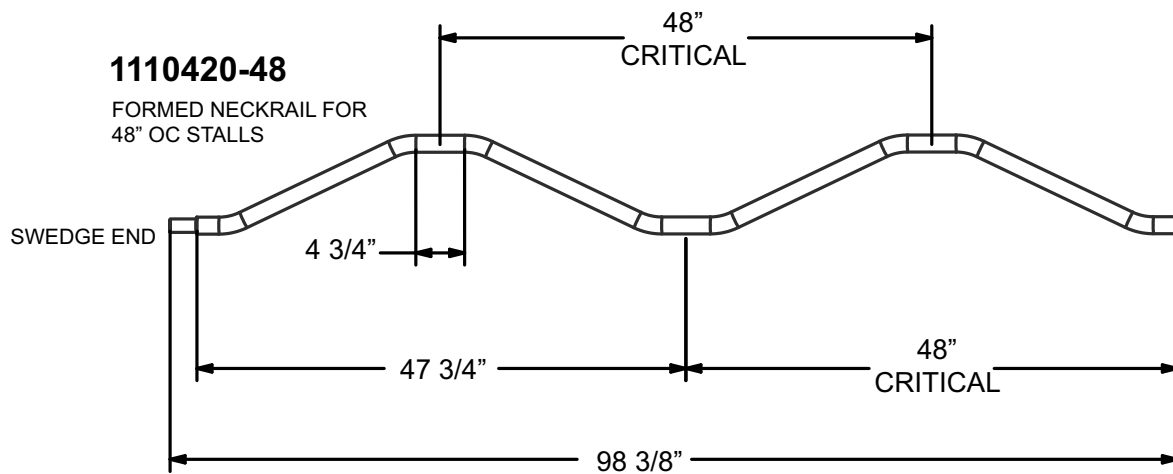
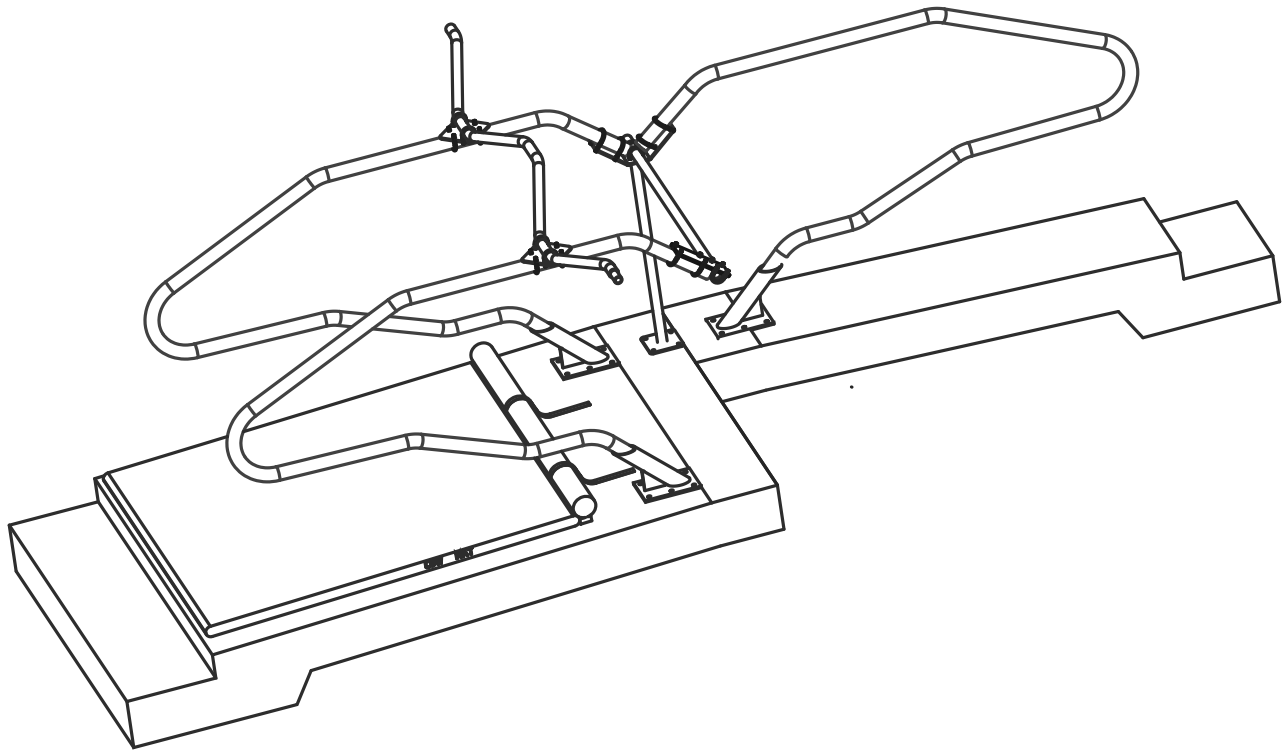


ILLUS.	DESCRIPTION	PART #
1	37.5" HIGH FRONT PIPE EEZY LUNGE 88" LONG	1012688
2	X-OVER 2 3/8 X 1 5/8 - 6.5 DIAMOND PLATE + 4 U-BOLTS	101179-10
3	PLATE FOR SINGLE ROW + U-BOLTS	1012688-CL1
4	POST FOR DROP FRONT EEZY LUNGE	1012688-PST
5	FLOOR MOUNT PLATE	1012221
6	1 5/8" PRE-GALV HEADRAIL PIPE	1110500-1
7	COMFY CURVE HEADRAIL	1110420-48
8	HEAD TO HEAD CLAMPS + U BOLTS	1012688-CL

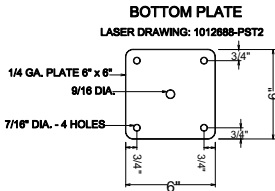
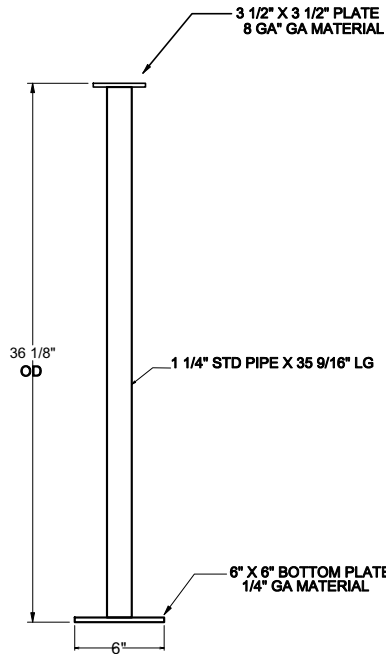
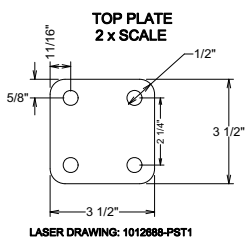
EEZY LUNGE DROP DOWN FRONT FREESTALL DOUBLE ROW



EEZY LUNGE DROP DOWN FRONT FREESTALL LAYOUT DOUBLE ROW / SINGLE ROW

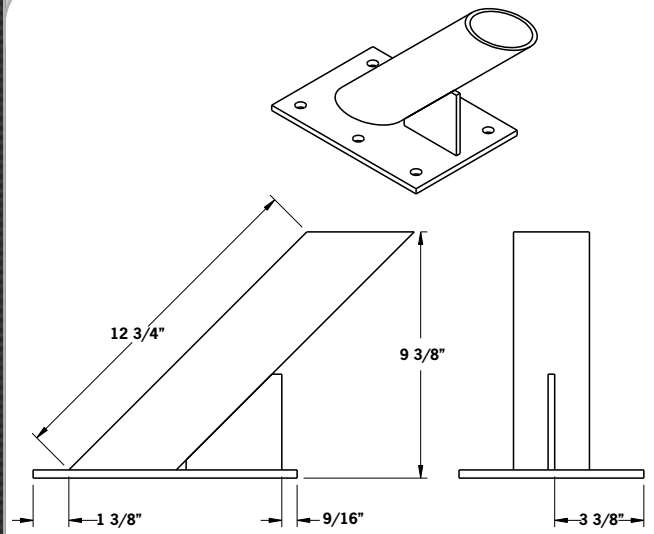


1012688-PST
36 1/8" POST

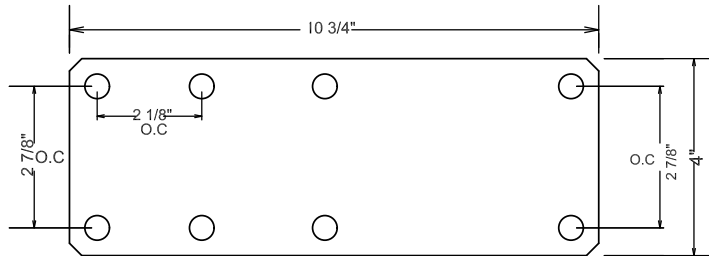


1012221

GALV. FLOOR MOUNT BRACKET/FREESTALL

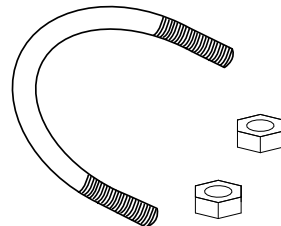


1012688-CL1 - PLATE FOR SINGLE ROW + U-BOLTS

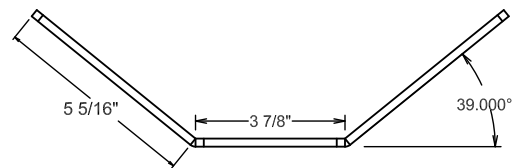
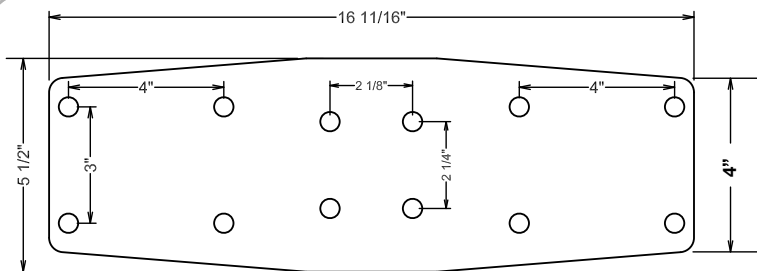


20-620

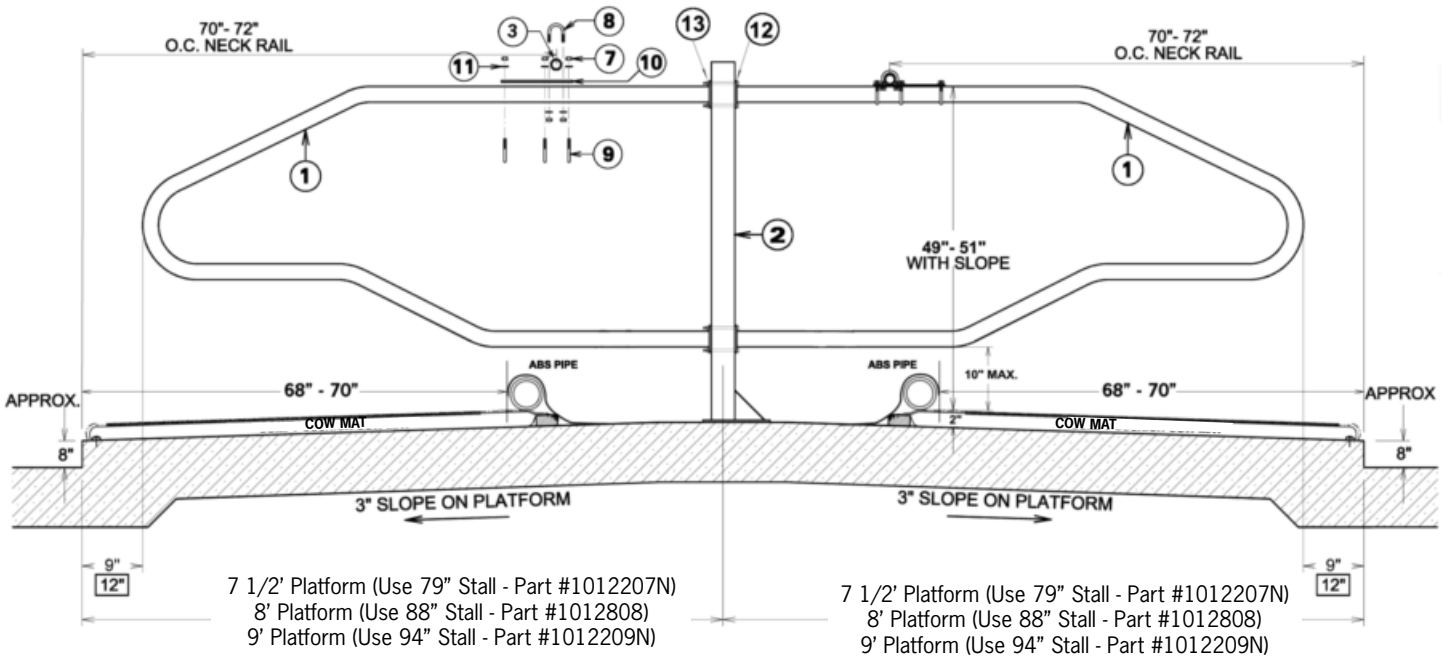
UBOLTS 1.75" ID X 2 3/8" LG (PKG 20)



1012688-CL- HEAD TO HEAD CLAMPS + U-BOLTS



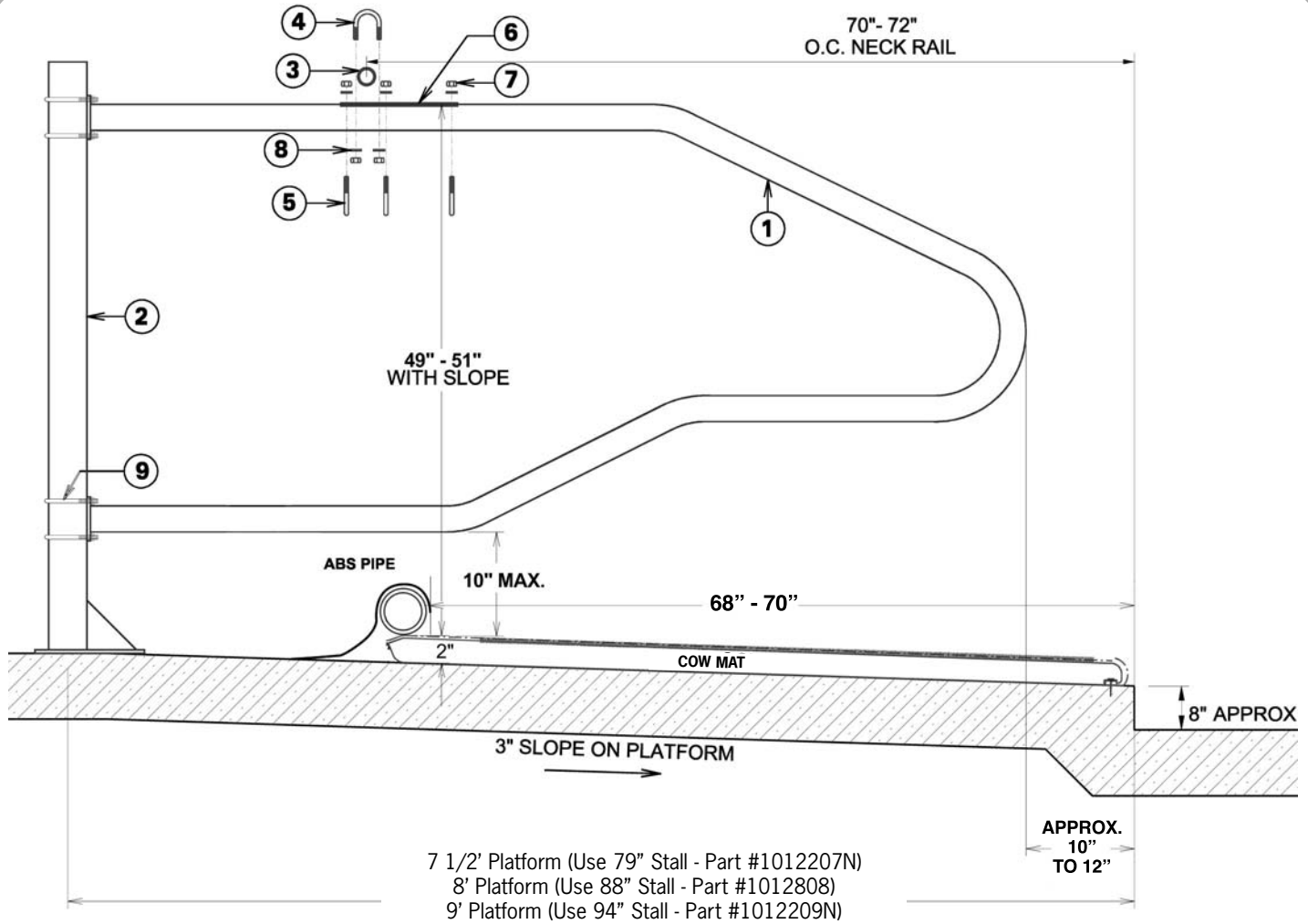
SUSPENDED FREESTALL (COW) 79", 88" & 94" HEAD TO HEAD POST SYSTEMS



ILLUS.	DESCRIPTION	PART #	
1	79" FREESTALL (5" PLATE) (39" HIGH) (9" OFFSET)	1012207N	
1	88" FREESTALL (5" PLATE) (39" HIGH) (9" OFFSET)	1012808	
1	94" FREESTALL (5" PLATE) (39" HIGH) (9" OFFSET)	1012209N	
	POST 56" (3.5" OD .150 WALL) BOLT DOWN	1012491	
N/S	POST 64" (3.5" OD .150 WALL) CEMENT IN	1012490	
3	1 5/8" PRE-GALV. HEADRAIL PIPE - 21 FT. LENGTH	1110500-1	
8	U-BOLT ONLY 1.75" ID X 2 3/8" (20-6A)(20 pcs. /PKG)		X-OVER 2 3/8" X 1 5/8" (10"PL + 5 U-BOLTS) 101169-10
9	U-BOLT 3/8", 2.5" ID X 3.25"L US (20-5A)(30 pcs. /PKG)		
10	X-OVER PLATE ONLY 5" X 10" (10 pcs. /PKG)		
7	3/8" LOCK NUT (100 pcs. /PKG)		
11	3/8" WASHER (100 pcs. /PKG)		
	SP 6.5" SQ X-OVER PL ONLY GALV (10 pcs. /PKG)	101179A	X-OVER 2 3/8" X 1 5/8" (6.5" DIAMOND PLATE + 4 U-BOLTS) 101179-10
	U-BOLT ONLY 1.75" ID X 2 9/16" LG (20 pcs. /PKG)	20-6A	
	U-BOLT 3/8, 2.5ID X 3.25L US (20 pcs. /PKG)	20-5A	
	3/8-16 N.I. LOCK NUT, US (81 pcs. /PKG)	NUT3/8LN	
	+3/8" FLAT WASHER, US (81 pcs. /PKG)	WAS3/8	
12	US 1/2" X 5" HX BOLT (50 pcs./BOX)	90B1/2-5	
13	US 1/2" NYLON LOCKNUT (50 pcs./BOX)	90N1/2L	

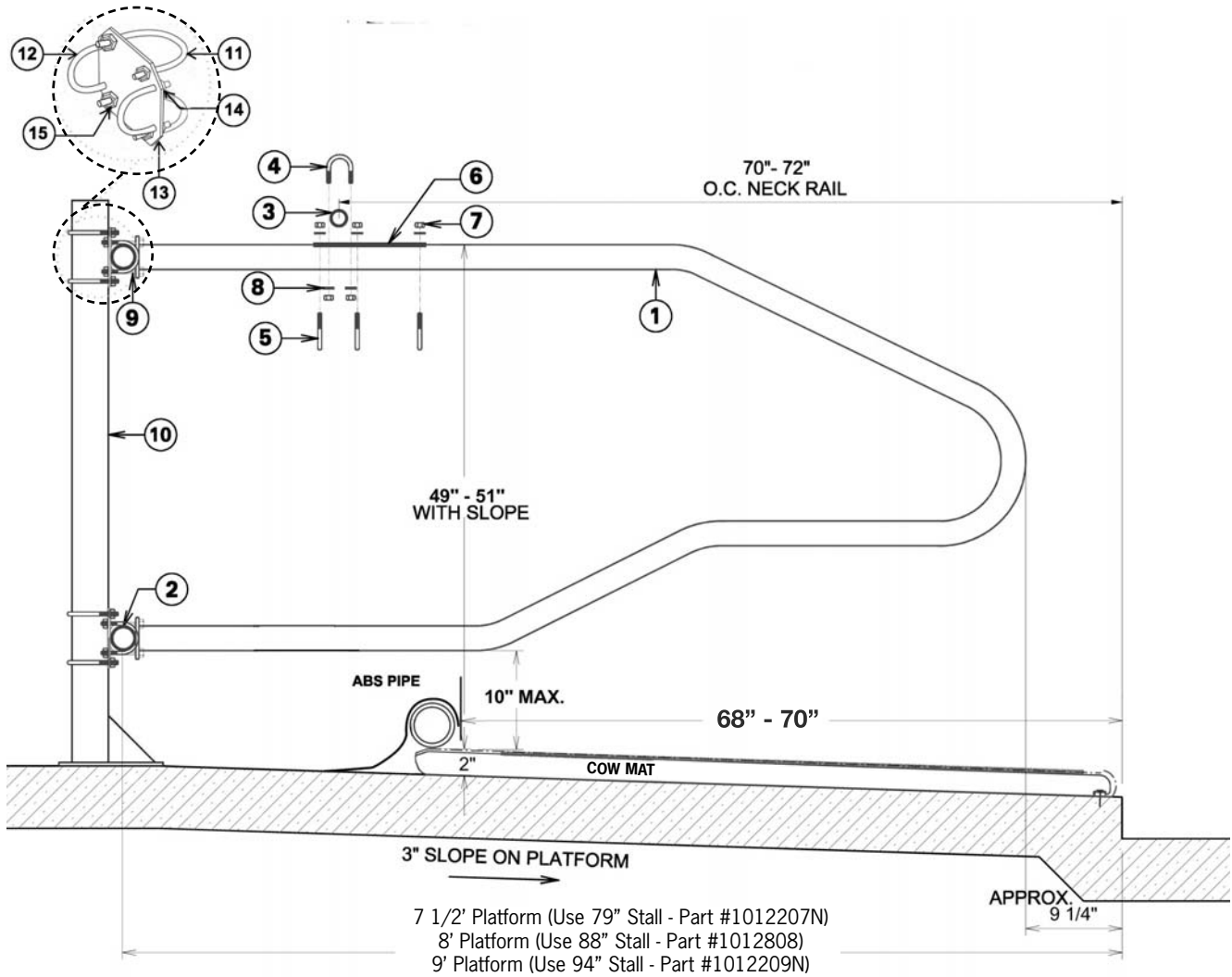
FOR INFORMATION ON BRISKET BRACKET, ABS PIPE & ACCESSORIES (SEE FREESTALLS-20)

SUSPENDED FREESTALL (COW) 79", 88" & 94" POST SYSTEMS



ILLUS.	DESCRIPTION	PART #
1	79" FREESTALL (5" PLATE) (39" HIGH) (9" OFFSET)	1012207N
1	88" FREESTALL (5" PLATE) (39" HIGH) (9" OFFSET)	1012208
1	94" FREESTALL (5" PLATE) (39" HIGH) (9" OFFSET)	1012209N
2	POST 56" (3.5" OD .150 WALL) BOLT DOWN	1012491
N/S	POST 64" (3.5" OD .150 WALL) CEMENT IN	1012490
3	PRE GALV 1 5/8" HEADRAIL PIPE - 21 FT. LENGTH	1110500-1
4	U-BOLT 1.75" ID X 2 3/8" LG. (20-6A)(20 pcs. /PKG)	
5	U-BOLT 3/8", 2.5" ID X 3.25" LG. (20-5A)(30 pcs. /PKG)	
6	X-OVER PLATE ONLY 5" X 10" (10 pcs. /PKG)	X-OVER 2 3/8" X 1 5/8" (10" PL + 5 U-BOLTS) 101169-10
7	3/8" LOCK NUT (100 pcs. /PKG)	
8	3/8" WASHER (100 pcs. /PKG)	
	SP 6.5" SQ X-OVER PL ONLY GALV (10 pcs. /PKG)	101179A
	U-BOLT ONLY 1.75" ID X 2 9/16" LG (20 pcs. /PKG)	20-6A
	U-BOLT 3/8, 2.5ID X 3.25L US (20 pcs. /PKG)	20-5A
	3/8-16 N.I. LOCK NUT, US (81 pcs. /PKG)	NUT3/8LN
	+3/8" FLAT WASHER, US (81 pcs. /PKG)	WAS3/8
9	U-BOLT 1/2", 3 9/16" ID X 4 5/8" LG. (BOX/20)	20-720
FOR INFORMATION ON BRISKET BRACKET, ABS PIPE & ACCESSORIES (SEE FREESTALLS-20)		

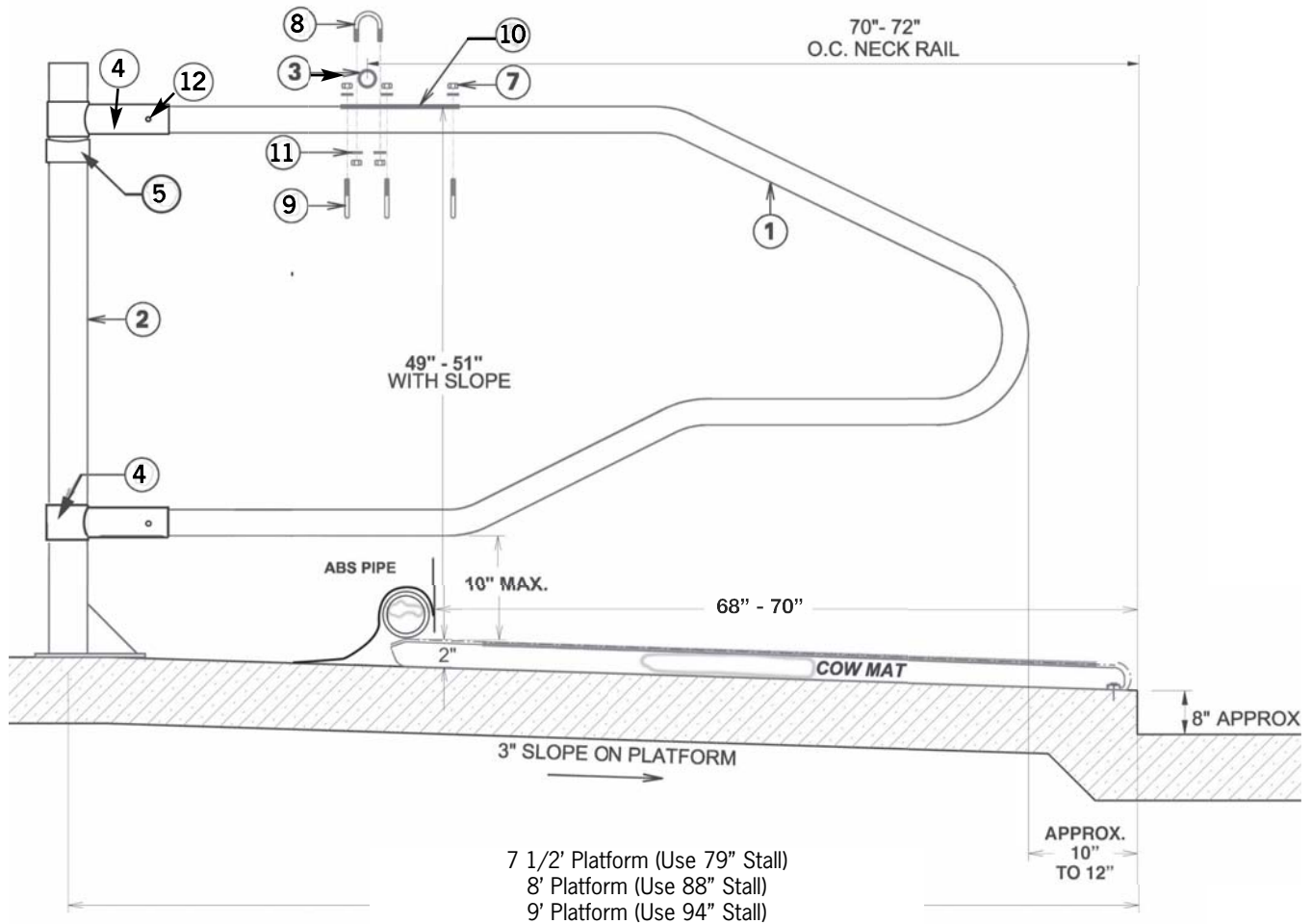
SUSPENDED FREESTALL (COW) 88" Pipe & Rail System



ILLUS.	DESCRIPTION	PART #
1	79" FREESTALL (5"PL) (39"H) (9" OFFSET)	1012207N
1	88" FREESTALL (5"PL) (39"H) (9" OFFSET)	1012808
2	2 3/8" OD GALV. PIPE - 21' LENGTH	1110475-1
3	PRE GALV 1 5/8" HEADRAIL PIPE - 21 FT. LENGTH	1110500-1
4	U-BOLT 1.75" ID X 2 3/8" LG. (20-6A)(20 pcs. /PKG)	
5	U-BOLT 3/8", 2.5" ID X 3.25 LG. (20-5A)(30 pcs. /PKG)	
6	X-OVER PLATE ONLY 5" X 10" (20-6A)(20 pcs. /PKG)	X-OVER 2 3/8" X 1 5/8" (10"PL + 5 U-BOLTS)
7	3/8" LOCK NUT (100 pcs. /PKG)	101169-10
8	3/8" WASHER (100 pcs. /PKG)	
9	3/8" U-BOLT 2.5" ID X 3.25" LG. (20-5A)(20 pcs. /PKG)	20-520
10	56" LG. FREESTALL BOLT DOWN POST (3.5" OD)	1012491
11	U-BOLT 1/2", 3 9/16" ID X 4 5/8" LG. (20 pcs. / PKG)	
12	U-BOLT 3/8", 2.5" ID X 3.25" LG. (20 pcs. / PKG)	
13	X-OVER PL ONLY 3.5" TO 2 3/8" (10 pcs. / PKG)	X-OVER 3.5" X 2 3/8" BX/10
14	3/8" LOCK NUT (40 pcs. / PKG)	1011540-10
15	1/2" LOCK NUT (40 pcs. / PKG)	
N/S	3/8" WASHER (40 pcs. / PKG)	

FOR INFORMATION ON BRISKET BRACKET, ABS PIPE & ACCESSORIES (SEE FREESTALLS-20)

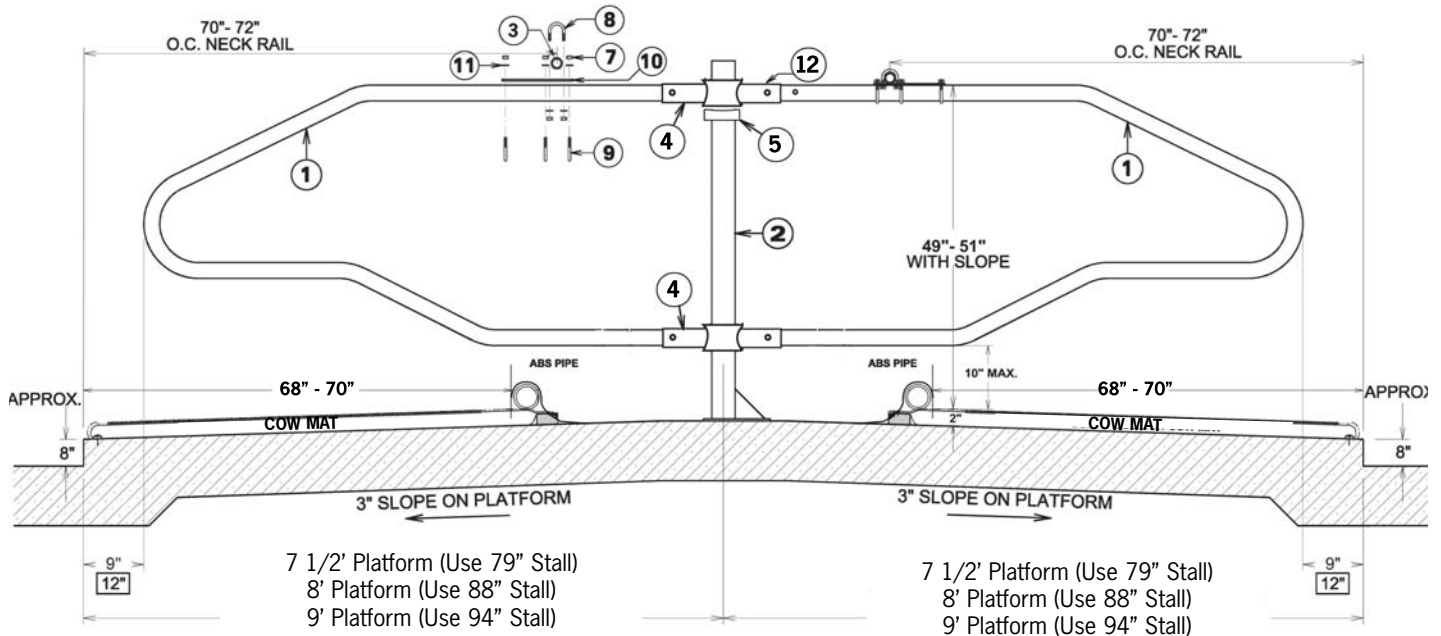
SLEEVE & COLLAR MOUNT FREESTALL SINGLE ROW



ILLUS.	DESCRIPTION	PART #
1	79" GALV. SLEEVE & COLLAR MOUNT FREESTALL (39" HIGH) (9" OFFSET) - NO PLATE	1012487
1	88" GALV. SLEEVE & COLLAR MOUNT FREESTALL (39" HIGH) (9" OFFSET) - NO PLATE	1012818
1	94" GALV. SLEEVE & COLLAR MOUNT FREESTALL (39" HIGH) (9" OFFSET) - NO PLATE	1012489
2	POST 56" (3.5" OD .150 WALL) BOLT DOWN	1012491
N/S	POST 64" (3.5" OD .150 WALL) CEMENT IN	1012490
3	PRE GALV 1 5/8" HEADRAIL PIPE - 21 FT. LENGTH	1110500-1
4	GALV. SINGLE MOUNT/STALL	1012300S
5	BOLT ON COLLAR	1440009CB
8	U-BOLT 1.75" ID X 2 3/8" LG. (20-6A)(20 pcs./PKG)	X-OVER 2 3/8" X 1 5/8" (10" PL + 5 U-BOLTS) 101169-10
9	U-BOLT 3/8", 2.5" ID X 3.25" LG. (20-5A)(30 pcs./PKG)	
10	X-OVER PLATE ONLY 5" X 10" (10 pcs./PKG)	
7	3/8" LOCK NUT (100 pcs./PKG)	
11	3/8" WASHER (100 pcs./PKG)	
	SP 6.5" SQ X-OVER PL ONLY GALV (10 pcs. /PKG)	101179A
	U-BOLT ONLY 1.75" ID X 2 9/16" LG (20 pcs. /PKG)	20-6A
	U-BOLT 3/8, 2.5ID X 3.25L US (20 pcs. /PKG)	20-5A
	3/8-16 N.I. LOCK NUT, US (81 pcs. /PKG)	NUT3/8LN
	+3/8" FLAT WASHER, US (81 pcs. /PKG)	WAS3/8
12	3/8" X 3 1/2" HEX BOLT	BOL3/8-31/2H

FOR INFORMATION ON BRISKET BRACKET, ABS PIPE & ACCESSORIES (SEE FREESTALLS-20)

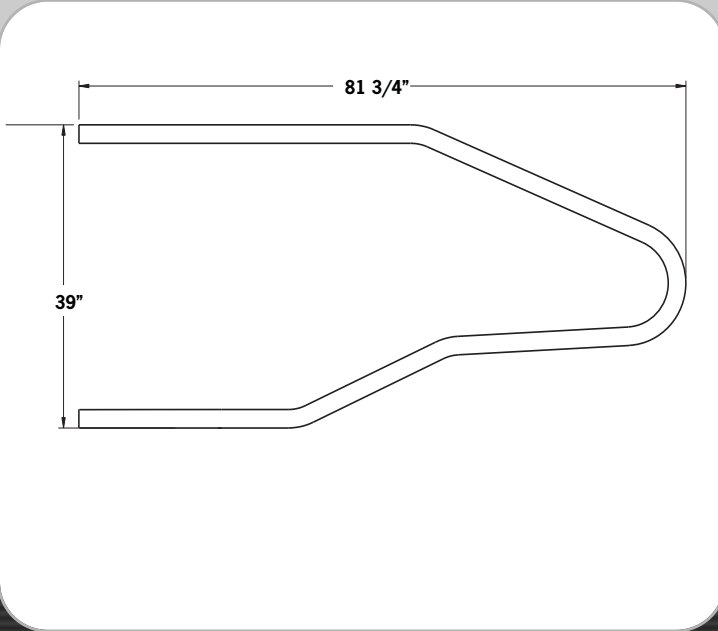
SLEEVE & COLLAR MOUNT FREESTALL DOUBLE ROW



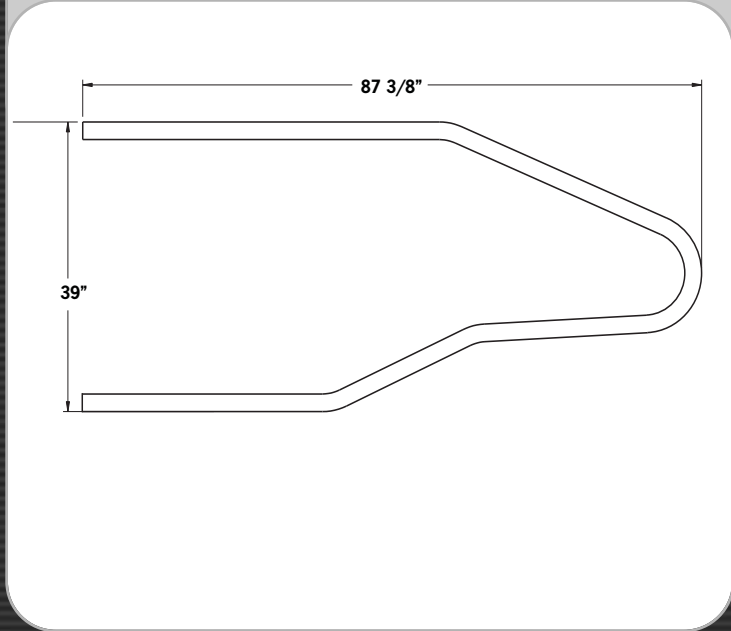
ILLUS.	DESCRIPTION	PART #
1	79" GALV. SLEEVE & COLLAR MOUNT FREESTALL (39" HIGH) (9" OFFSET) - NO PLATE	1012487
1	88" GALV. SLEEVE & COLLAR MOUNT FREESTALL (39" HIGH) (9" OFFSET) - NO PLATE	1012818
1	94" GALV. SLEEVE & COLLAR MOUNT FREESTALL (39" HIGH) (9" OFFSET) - NO PLATE	1012489
2	POST 56" (3.5" OD .150 WALL) BOLT DOWN	1012491
N/S	POST 64" (3.5" OD .150 WALL) CEMENT IN	1012490
3	PRE GALV 1 5/8" HEADRAIL PIPE - 21 FT. LENGTH	1110500-1
4	GALV. DBL MOUNT/STALL	1012300D
5	BOLT ON COLLAR	1440009CB
8	U-BOLT 1.75" ID X 2 3/8" LG. (20-6A)(20 pcs./PKG)	
9	U-BOLT 3/8", 2.5" ID X 3.25" LG. (20-5A)(30 pcs./PKG)	
10	X-OVER PLATE ONLY 5" X 10" (10 pcs./PKG)	
7	3/8" LOCK NUT (100 pcs./PKG)	
11	3/8" WASHER (100 pcs./PKG)	
	SP 6.5" SQ X-OVER PL ONLY GALV (10 pcs. /PKG)	101179A
	U-BOLT ONLY 1.75" ID X 2 9/16" LG (20 pcs. /PKG)	20-6A
	U-BOLT 3/8, 2.5ID X 3.25L US (20 pcs. /PKG)	20-5A
	3/8-16 N.I. LOCK NUT, US (81 pcs. /PKG)	NUT3/8LN
	+3/8" FLAT WASHER, US (81 pcs. /PKG)	WAS3/8
12	3/8" X 3 1/2" HEX BOLT	BOL3/8-3 1/2H

FOR INFORMATION ON BRISKET BRACKET, ABS PIPE & ACCESSORIES (SEE FREESTALLS-20)

79" GALV. FREESTALL - NO PLATES - 1012487



88" GALV. FREESTALL - NO PLATES - 1012818

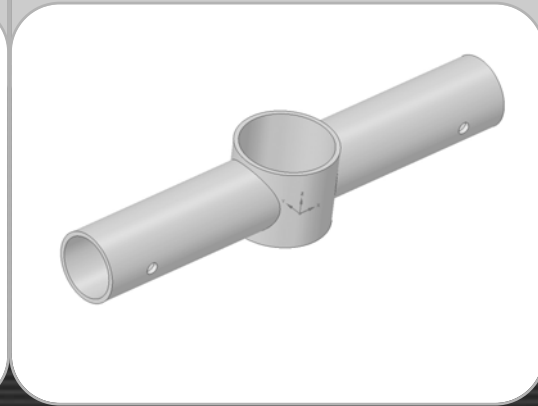


COLLARS

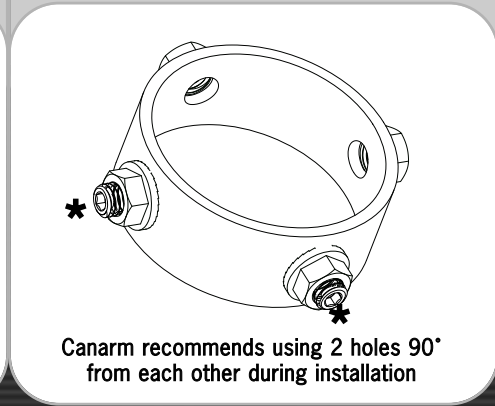
**1012300S
GALV. SINGLE MOUNT**



**1012300D
GALV. DOUBLE MOUNT**



**1440009CB
4" OD 2" WIDE BOLT ON COLLAR GALV.**

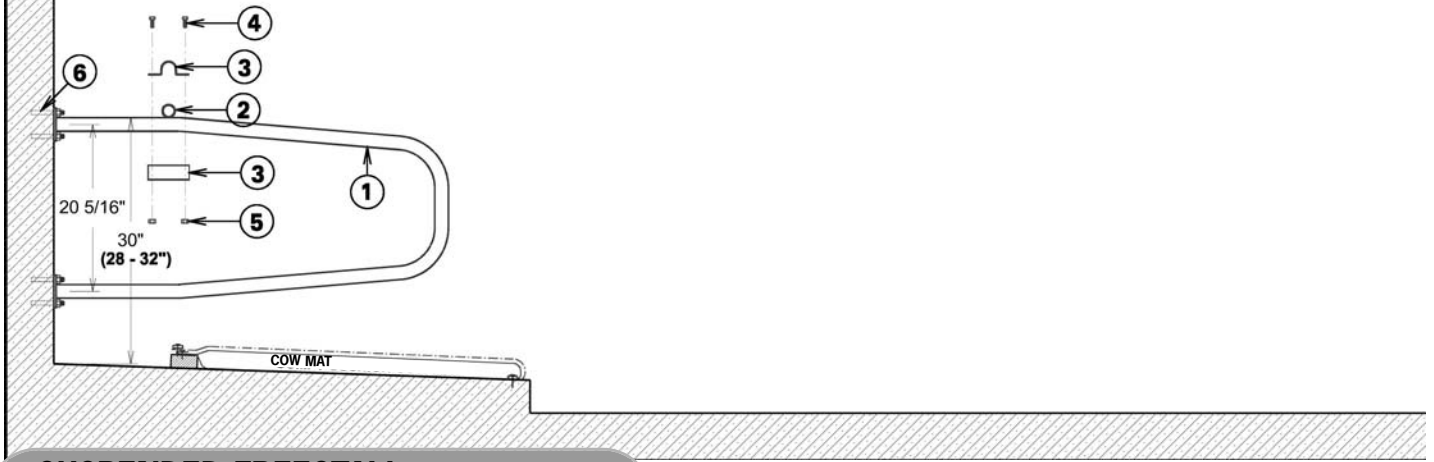


COLLAR MOUNT FREESTALL PARTS

DESCRIPTION	PART #
4" OD 2" WIDE BOLT ON COLLAR GALV KIT (C/W 2 SET SCREWS)	1440009CB
GLV. SNGL/MNT/COLLAR MNT	1012300S
GLV. DBL/MNT/COLLAR MNT	1012300D
GALV. P. 4' X 10 3/4" + U-BOLT (SINGLE MOUNT)	1012223
POST 56" (3.5" OD .150 WALL) (16' - 20' SPACING) BOLT DOWN	1012491
GALV. PL 5 3/8" X 17 3/8" U-BOLTS (DOUBLE MOUNT)	1012225
X-OVER 2 3/8" X 1 5/8" (10"PL + 5-U-BOLTS) - BOX OF 10	101169-10
X-OVER 2 3/8" X 1 5/8" (DIAMOND SHAPED PLATE + U-BOLT) - BOX OF 10	101179-10

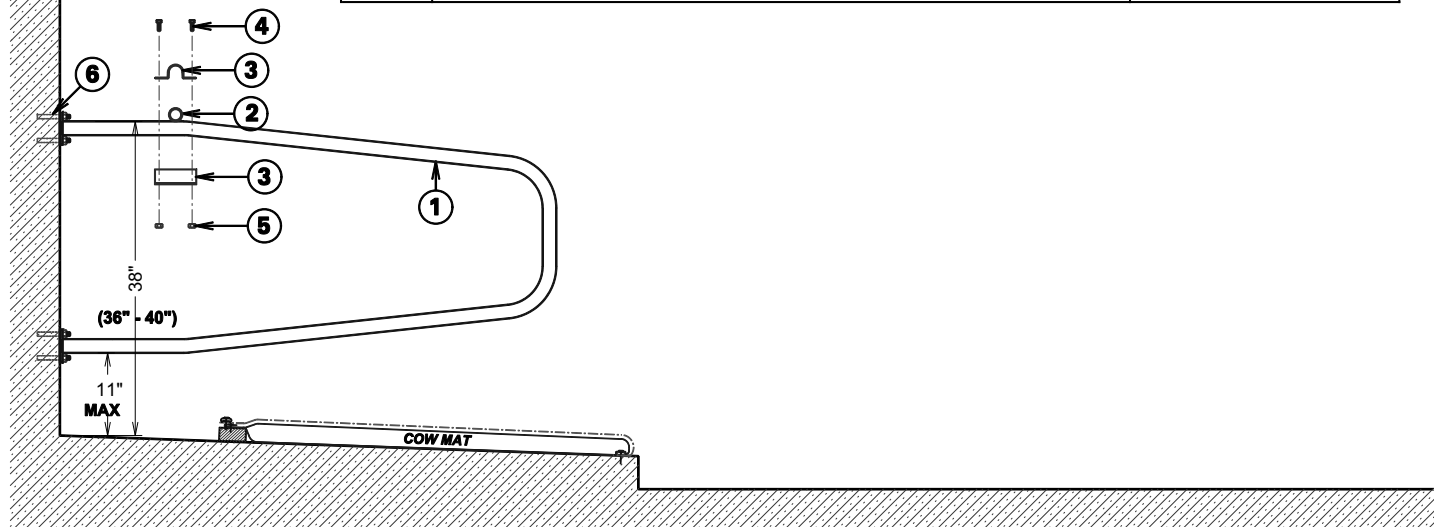
SUSPENDED FREESTALL 48" Calf Stall

ILLUS.	DESCRIPTION	PART #
1	48" CALF SUSPENDED FREESTALL	1012248
2	PRE GALV 1 5/8" HEADRAIL PIPE - 21 FT. LENGTH	1110500-1
3	1 5/8" U-FLANGE (65-AF)(20 pcs. / PKG)	1 5/8" X 1 5/8" X-OVER CLAMP 101165-10
4	3/8" X 1" HEX BOLT (40 pcs. / PKG)	
5	3/8" NUT (40 pcs. / PKG)	
6	1/2" X 4" WEDGE ANCHOR (PKG of 50 - 12354-50)	1235004



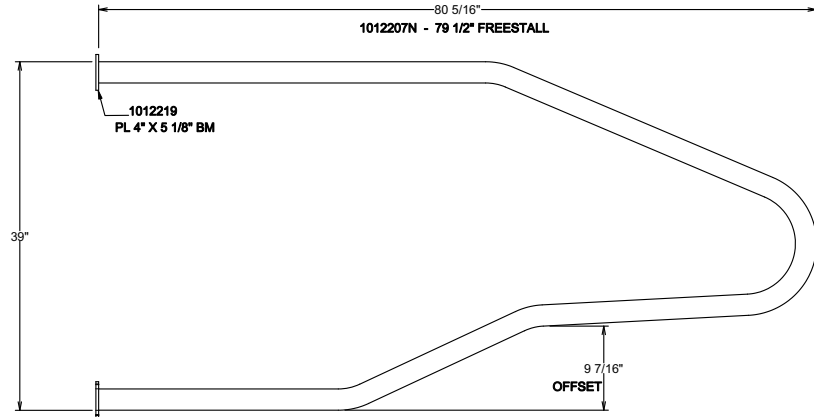
SUSPENDED FREESTALL 60" Heifer Stall

ILLUS.	DESCRIPTION	PART #
1	60" SUSPENDED HEIFER STALL (28" HIGH) (6" OFFSET)	1012260H
2	PRE GALV 1 5/8" HEADRAIL PIPE - 21 FT. LENGTH	1110500-1
3	1 5/8" U-FLANGE (65-AF)(20 pcs. / PKG)	1 5/8" X 1 5/8" X-OVER CLAMP 101165-10
4	3/8" X 1" HEX BOLT (40 pcs. / PKG)	
5	3/8" NUT (40 pcs. / PKG)	
6	1/2" X 4" WEDGE ANCHOR (PKG of 50 - 12354-50)	1235004



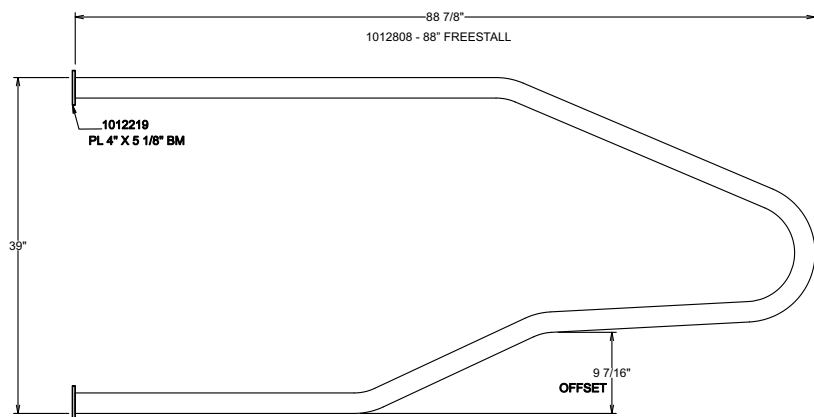
1012207N

79.5" FREESTALL/COW
2 3/8" Tube/.125
Wall (9" Offset)



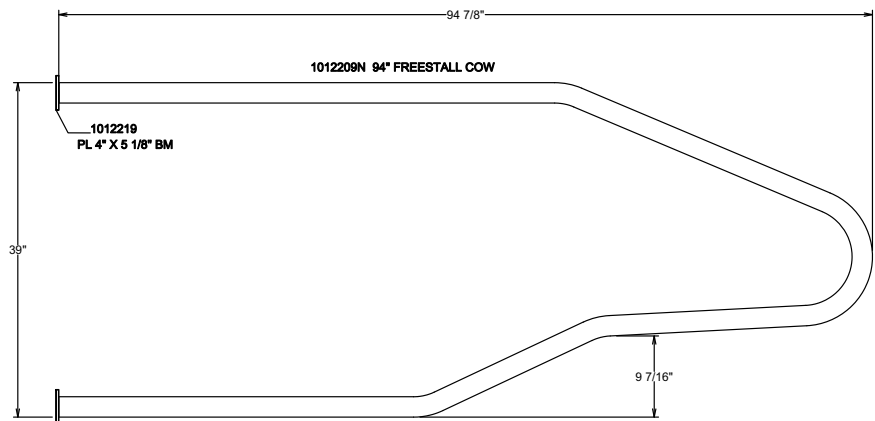
1012808

88" FREESTALL/COW
2 3/8" Tube/.125
Wall (9" Offset)



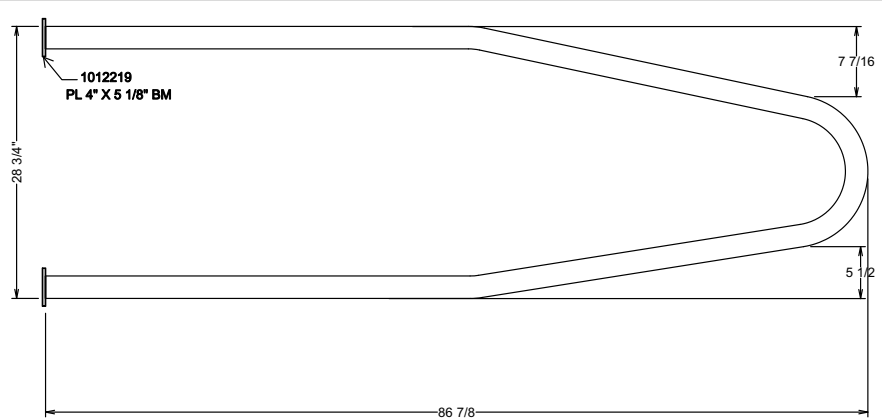
1012209N

94" FREESTALL/COW
2 3/8" Tube/.125
Wall (9" Offset)



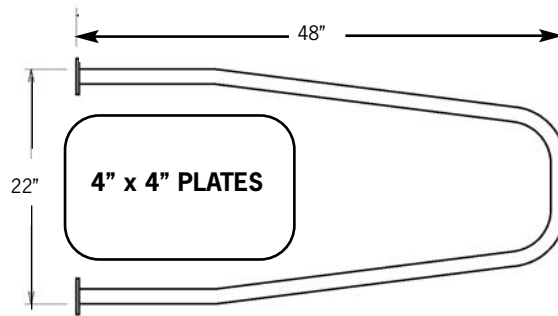
1012588

87" LG GALV FREESTALL
LOOP (SAND STALL)



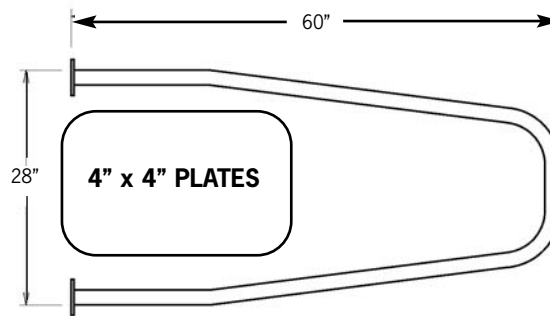
1012248

48" FREESTALL/CALF
1 5/8" Tube/.140 Wall



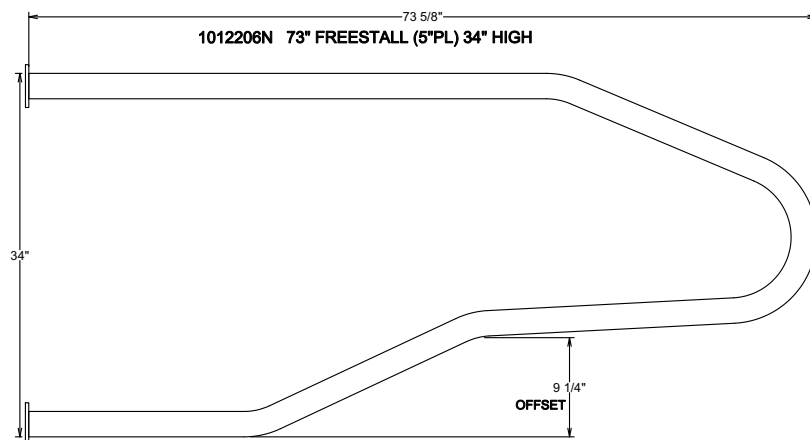
1012260H

60" FREESTALL/HEIFER
1 5/8" Tube/.140 Wall



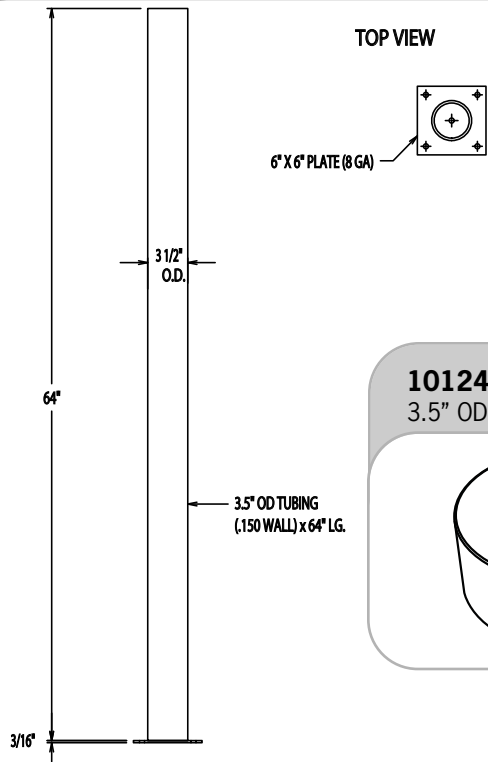
1012206N

73" FREESTALL
(5" PL)(33" H)
(9" OFFSET)



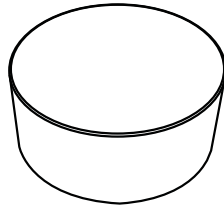
1012490

64" POST - (3.5" OD .150W) Cement In



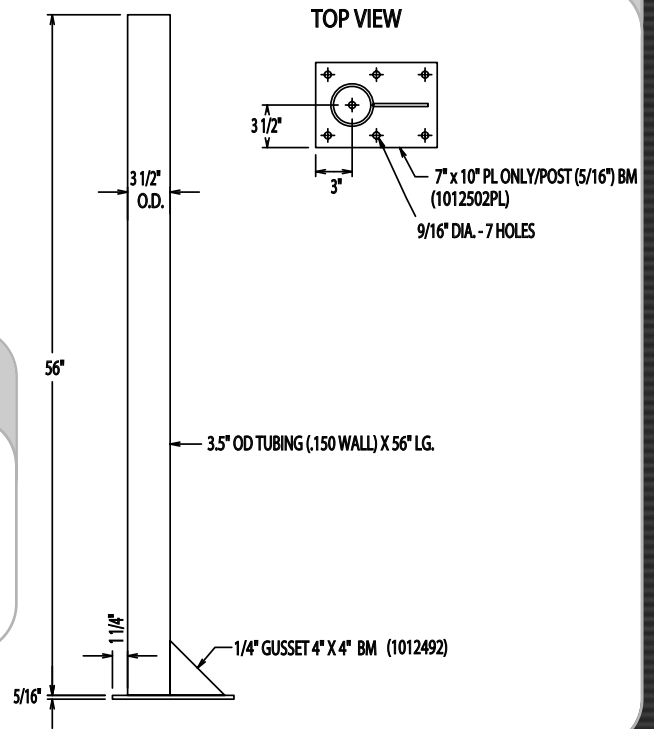
1012493C

3.5" OD PLASTIC POST CAP



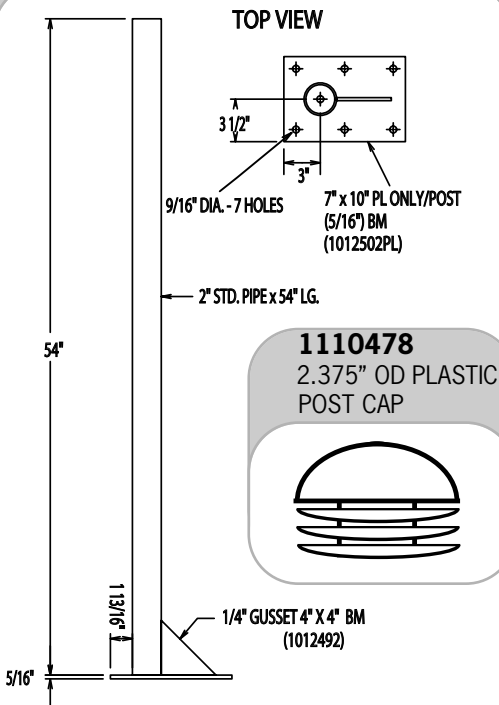
1012491

56" POST - (3.5" OD .150W) Bolt Down



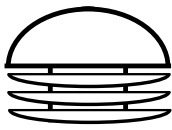
1012495

54" POST - (2.375" OD .154W) Bolt Down FOR 48" & 60" STALLS ONLY



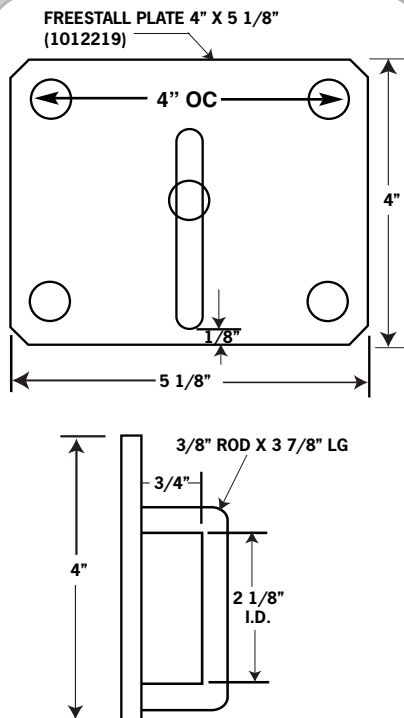
1110478

2.375" OD PLASTIC POST CAP



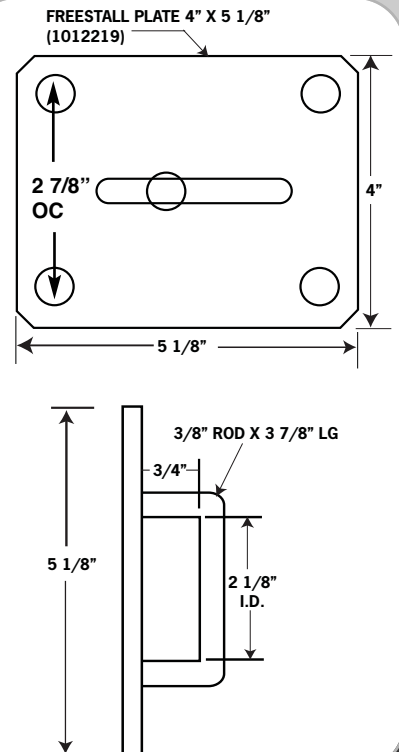
1012494

GALV. PLATE MOUNT/2" POLY STRAP 3 1/2" POST MOUNT

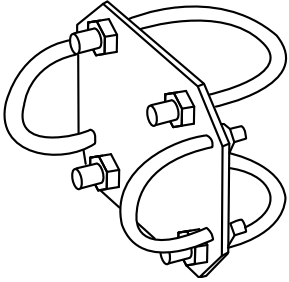


1012494-AB

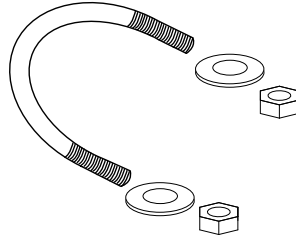
GALV. PLATE MOUNT/2" POLY STRAP FREESTALL MOUNT



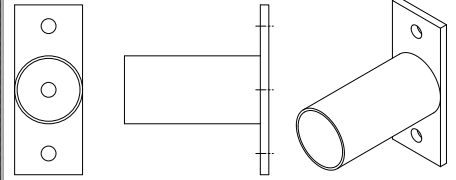
1011540-10
X-OVER PLATE WITH U-BOLTS



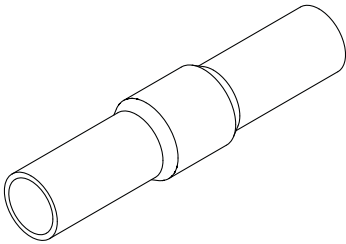
20-620
U-BOLTS 1.75" ID X 2 3/8" LG (PKG 20)
20-720
U-BOLTS (1/2") 3 9/16" ID (BOX OF 20)
20-520
U-BOLTS 2.5" ID (BOX OF 20)



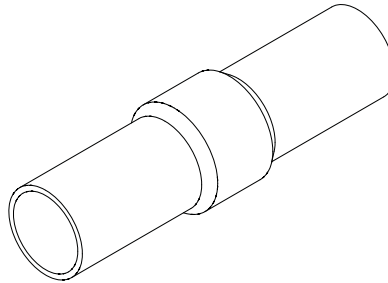
1110476-5
END JOINER / 2 3/8" (BOX OF 5)



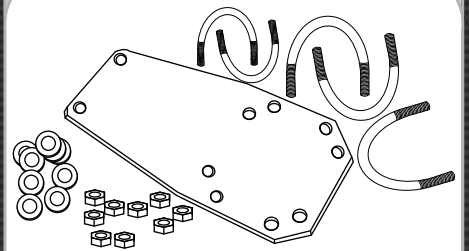
1110401-5
HEADRAIL JOINER / 1 5/8" OD
PIPE (BOX OF 5)



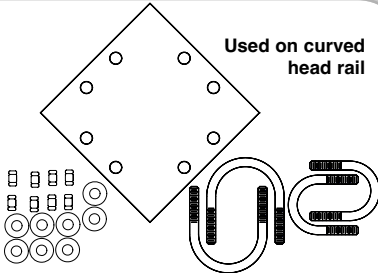
1110477-5
HEADRAIL JOINER / 2 3/8" OD
PIPE (BOX OF 5)



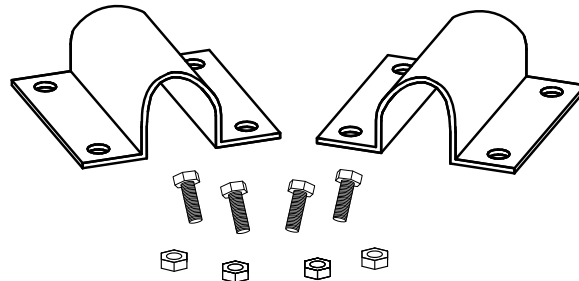
101169-10
HD X-OVER (U-BOLT) 2 3/8" X 1 5/8"
(BOX OF 10)



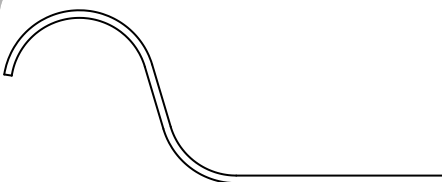
101179-10
DIAMOND HEAD RAIL CLAMP
6 1/2" SQ. PL. + U-BOLTS



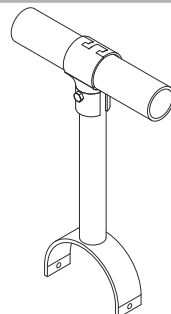
101166-10 - X-OVER 2 3/8" X 1 5/8" (BOX OF 10)
101165-10 - X-OVER 2 PC. 1 5/8" (BOX OF 10)
101167-10 - X-OVER 2 3/8" X 2 3/8" (BOX OF 10)



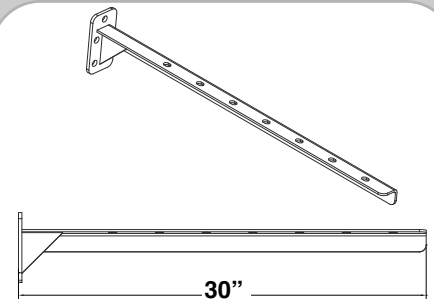
1012570
GLV FLOOR MOUNT BRISKET BRACKET



1012575
BRISKET BRACKET WITH T-CLAMP



1012580
CURB MOUNT BRISKET BRACKET



INSTALLATION GUIDELINES FOR FREESTALLS & SELF LOCKING FEED FRONTS



HEIFER SIZE & WEIGHT			FREESTALLS							SELF LOCK FEED FRONTS			
Approx. Age (months)	Approx. Weight (lbs)	Height To Top Of Back	Platform Length		Stall Width (o.c.)	(iii) Brisket Locator	(iv) Neckrail	(v) Stall Height	Total Height (Cow Side)	(vi) CURB HEIGHT		Type of Self Lock	
			Single Stalls	Double Stalls						Cow Side	Feed Side		
Birth	100												
1	150												
2	200												
3	275	37"	55"	106"	26"	40"-43"	39"-41"	31"	44"	10"	5"	Adj. Calf	
4	350	41"	55"	106"	27"	42"-45"	41"-43"	32"	46"	10"	5"	Adj. Calf	
5	400	43"	56"	106"	28"	44"-47"	43"-45"	33"	46"	12"	7"	Adj. Calf	
6	450	44"	57"	111"	30"	45"-48"	44"-46"	35"	48"	12"	7"	Adj. Calf	
7	500	46"	58"	111"	31"	47"-50"	46"-48"	36"	48"	12"	7"	Adj. Calf	
8	550	47"	67"	132"	32"	49"-52"	47"-49"	37"	50"	12"	7"	Adj. Calf	
9	600	48"	67"	132"	33"	50"-53"	48"-50"	38"	50"	15"	11"	Adj. SLF	
10	700	49"	68"	134"	35"	52"-54"	50"-52"	39"	50"	15"	11"	Adj. SLF	
11	750	50"	72"	136"	36"	52"-55"	54"-56"	40"	50"	15"	11"	Adj. SLF	
12 (i)	800	51"	72"	136"	37"	56"-59"	54"-56"	40"	52"	15"	11"	Adj. SLF	
13 (i)	850	52"	72"	139"	38"	56"-59"	55"-58"	41"	52"	15"	11"	Adj. SLF	
14 (i)	900	53"	84"	139"	39"	56"-59"	55"-58"	41"	54"	15"	11"	Adj. SLF	
15 (i)	950	55"	84"	159"	40"	57"-60"	57"-59"	42"	54"	15"	11"	Adj. SLF	
16	1010	55"	86"	159"	40"	58"-61"	57"-59"	42"	56"	15"	11"	Adj. SLF	
17	1060	55"	86"	163"	42"	58"-62"	58"-61"	43"	56"	18"	14"	Adj. SLF	
18	1120	56"	90"	163"	42"	58"-62"	59"-62"	43"	58"	19"	14"	Cow	
19	1150	56"	90"	166"	44"	59"-62"	59"-62"	44"	58"	19"	14"	Cow	
20	1190	58"	96"	166"	44"	59"-62"	60"-64"	45"	60"	19"	14"	Cow	
21	1230	60"	100"	175"	46"	59"-62"	60"-64"	45"	60"	19"	14"	Cow	
22	1270	60"	100"	175"	46"	62"-65"	64"-68"	46"	60"	19"	14"	Cow	
23	1310	60"	102"	180"	46"	64"-67"	64"-68"	47"	61"	19"	14"	Cow	
24 (ii)	1350	60"	102"	180"	47"	65"-68"	66"-70"	48"	61"	19"	14"	Cow	
Cows (std.)	85" loop	58"-60"	108"	192"	48" +	70"	70"-72"	49"-51"	62"-63"	19"	14"	Cow	
Cows (std.)	94" loop	58"-60"	120"	216"	50"-52"	70"	70"-72"	50"-52"	62"-63"	19"	14"	Cow	

USE CALF PENNING FOR ANIMALS UNDER 200 LBS. (See Calf Suites Section)

GUIDELINES ONLY! MUST INSTALL FREESTALLS TO MATCH ANIMAL SIZE

i = breeding age

ii = calving age

iii = horizontal distance from rear of platform to bottom of brisket bracket

iv = horizontal distance from rear of platform to o.c. neckrail

v = stall height from top of compressed bedding (or mat) to bottom of headrail

vi = 1 1/2" space between curb and bottom pipe of SLF

* new recommendations for 1600 lb. + cows (must use 101169-10 clamp for 85" & 94" loops)

SPREAD DIVIDERS TO MATCH THE INSTALLATION HEIGHTS GIVEN

GAUGE & WALL THICKNESS COMPARISON CHART

DAIRY PRODUCTS			
PRODUCT	PIPE SIZE	WALL THICKNESS	GAUGE
FREESTALLS			
Cow/Heifer	2 3/8" O.D.	.125 Wall	Heavy 11 ga
Calf	1 5/8" O.D.	.140 Wall	Heavy 10 ga
GATES			
Premium	1 5/8" O.D.	.100 Wall	12 ga
Select Line	1 5/8" & 1 5/16" O.D.	.100 Wall	12 ga
HEADRAIL			
1 5/8"	1 5/8" O.D.	.140 Wall	Heavy 10 ga
2 3/8"	2 3/8" O.D.	.154 Wall	Heavy 9 ga

GAUGE OF TUBING	GAUGE TOLERANCE (INCHES)	ACTUAL WALL THICKNESS (INCHES)
14 ga	.071 - .081	0.074
13 ga	.082 - .096	0.085
12 ga	.097 - .111	0.100
11 ga	.112 - .126	0.115
10 ga	.127 - .141	0.130
9 ga	.142 - .156	0.145
8 ga	.157 - .170	0.160
6 ga	.187 - .202	0.188
1/4" ga	-	0.250
5/16" ga	-	0.313
3/8" ga	-	0.375

ORDERING GUIDELINES

1. **Order freestall loop** - Available in 79", 88" or 94"
- Specify pre-galvanized or hot dipped galvanized
2. **Order floor mount bracket** - 1012221 - one per stall
3. **Order top mount bracket** - For head to head, order double plates (1012225) - one for two stalls
- For head to the wall, order single plates (1012223) - one per stall
4. **Order headrail** - Specify pre-galvanized or hot dipped galvanized
5. **Order headrail clamps** - Order 101169 or 101179 (plate + U-bolts) - one per stall
6. **Order 1 5/8" headrail** - Pre-galvanized (1110500-1)
7. **Order post** - 1012670 post to be mounted 16' apart
8. **Order clamps** - Order 1011540 - one per post

ORDERING GUIDELINES

- Order freestall loop** - Available in 79", 88" or 94"
- Specify pre-galvanized or hot dipped galvanized
- Order floor mount bracket** - 1012221 - one per stall
- Order headrail clamps** - Order 101169 or 101179 (plate + U-bolts) - one per stall
- Order 1 5/8" headrail** - Pre-galvanized (1110500-1)
- Order post** - 1012688-PST post to be mounted 16' apart
- Order clamps** - Order one per loop **1012688-CL1** - Single Row
- Order one per pair of loops **1012688-CL** - Double Row

ORDERING GUIDELINES

1. **Order stalls**
 - Specify length
 - available in calf (48" (1 5/8")), heifer (60" (1 5/8") & 73" (2 3/8")) and cow (79.5", 88" & 94" (2 3/8"))
2. **Order headrail**
 - Order headrail joiners and end joiners
 - specify pre-galvanized or hot dipped galvanized
 - order 1 5/8" pipe for top of freestall
 - if pipe mount order 2 3/8" pipe for mounting stalls on pipes
3. **Order U-bolts**
 - order 3 9/16" (**20-720**) U-bolts for mounting freestalls direct to 3.5" posts (4 per stall)

OPTION: If mounting stalls head to head on 3.5" posts, order 1/2" x 5" hex bolts + nuts (4/stall)
If mounting stalls to 2 3/8" pipe, order 2.5" id U-bolts (**20-520**) (single row), or 1/2" x 4" hex bolts for head to head.

4. **Order freestall mounting posts**
 - order bolt-down or cement-in posts
 - if ordering bolt-down posts, also order anchor bolts (1/2" x 3 3/4") (4/post)
5. **Order brisket brackets**
 - one per stall, if required
 - order anchors (9/16" holes)
6. **Order clamps**
 - order 1 5/8" x 2 3/8" for mounting headrail to stall
 - NOTE: Must use 101169-10 OR 101179-10 with 88" and 94" stalls.**
 - order 2 3/8" x 3.5" (2 per post) to attach horizontal pipes for mounting freestalls
7. **Nylon strap brackets**
 - Post mount need U-bolts (**20-720**)
 - Stall mount U-bolts (**20-520**)
 - Need to order strap (**1012494-STR**)
 - Order ratchet (**1012494-RAT**)
 - Order plates
 - Post mount (**1012494**)
 - Stall mount (**1012494-AB**)

ORDERING GUIDELINES

1. **Order Freestall Loops** - Available in 79", 88" or 94" lengths
- Specify pre-galvanized or hot dipped galvanized
2. **Order Posts** - order bolt-down or cement-in posts
3. **Order Collars** - Single row (2 per loop)
- Double row (1 double per loop)
- 1 bolt on collar per post
4. **Order Headrail** - order ONE 3 1/2" x 3/8" + nut per loop
- order headrail joiners and endjoiners
- pre-galvanized
5. **Order Clamps** - order 1 5/8" x 2 3/8" for mounting headrail to stall
NOTE: Must use 101169-10 OR 101179-10 with 88" and 94" stalls.