



QUIET

**STURDY
CONSTRUCTION**

**SUPERIOR
COW HEALTH
AND SAFETY**

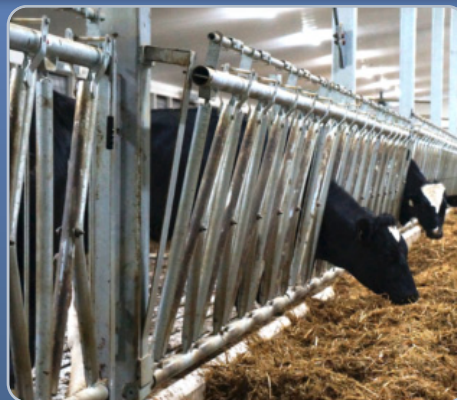
...from a Trusted Canadian Manufacturer of Quality Agricultural Products

FEATURES

- Quick & easy individual or group lock and release
- Available in 8', 10' or 12'
- Counterweight system ensures swingers stay open when empty
- Strong, durable, hot dipped galvanized metal for extreme longevity
- Dual action swinger provides safe operation for cattle
- Completely customizable



Proudly
Made in Canada



CANARM LTD. - Corporate Office
2157 Parkedale Ave., Brockville, ON
Canada K6V 5V6
Tel: (613) 342-5424 Fax: 1-800-263-4598

Web Site: www.canarm.com

CANARM LTD. - USA Warehouse
808 Commerce Park Drive
Ogdensburg, New York, USA 13669
Tel: 1-800-267-4427 Fax: 1-800-263-4598

E-Mail: agsales@canarm.ca

Arthur Manufacturing Facility
#7686 Concession 16, RR 4 Arthur, ON
Canada NOG 1A0
Tel: (519) 848-3910 Fax: (519) 848-3948



OPEN TOP SELF LOCKING FEED FRONTS

Save time and increase animal comfort when handling your cows, heifers and calves with Canarm AgSystems' Open Top Self Locking Feed Fronts. They ensure cow health & safety with individual panic release buttons on each headlock. Lock all your cows down at once or individually to easily identify and treat them in one location. Our unique counterweight system ensures your stalls stay open when empty.

FEATURES

- Quick & easy individual or group lock and release
- Available in 8', 10' or 12'
- Counterweight system ensures swingers stay open when empty
- Strong, durable, hot dipped galvanized metal for extreme longevity
- Dual action swinger provides safe operation for cattle
- Completely customizable

ANGLED FEED FRONTS

FEATURES

- Designed to reduce feed wastage.
- In order to back out of the angled feed front, the cow must turn its head sideways, making it difficult for the animal to pull feed through the openings into the pen.
- Uprights are clamped, therefore the neck openings can be easily adjusted to the exact size required.



ADJUSTABLE RAIL BRACKET

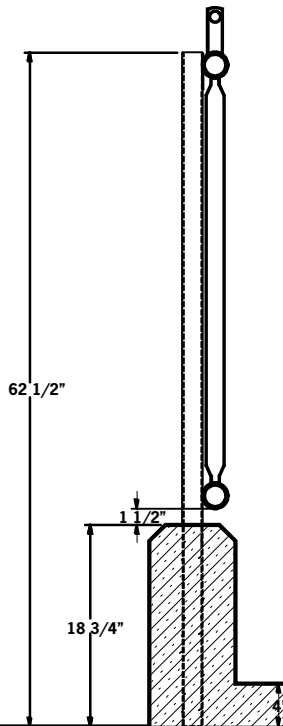
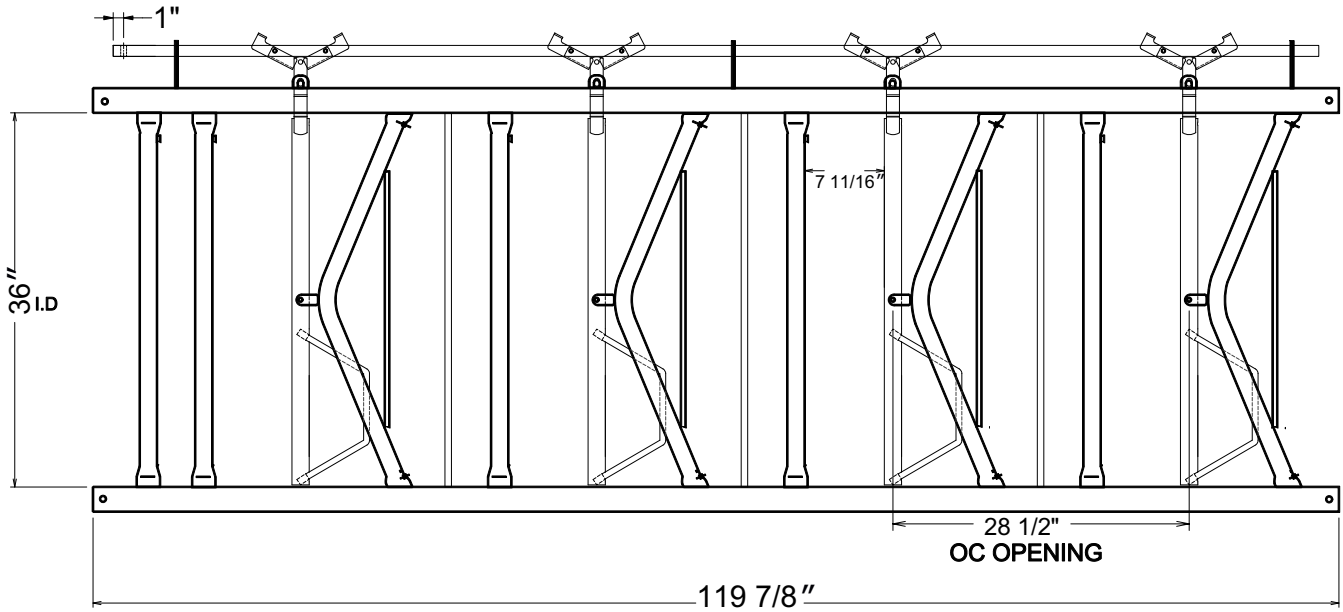
FEATURES

- Cost efficient.
- Adjustable to meet the needs of your cows.
- Open concept for your cows.
- May be removed at a later date and self locking feed front installed on existing posts.



ASSEMBLY

**(1340008) 8' SELF LOCK FRONT (3 OPENINGS)
(1340010) 10' SELF LOCK FRONT (4 OPENINGS)
(1340012) 12' SELF LOCK FRONT (5 OPENINGS)**

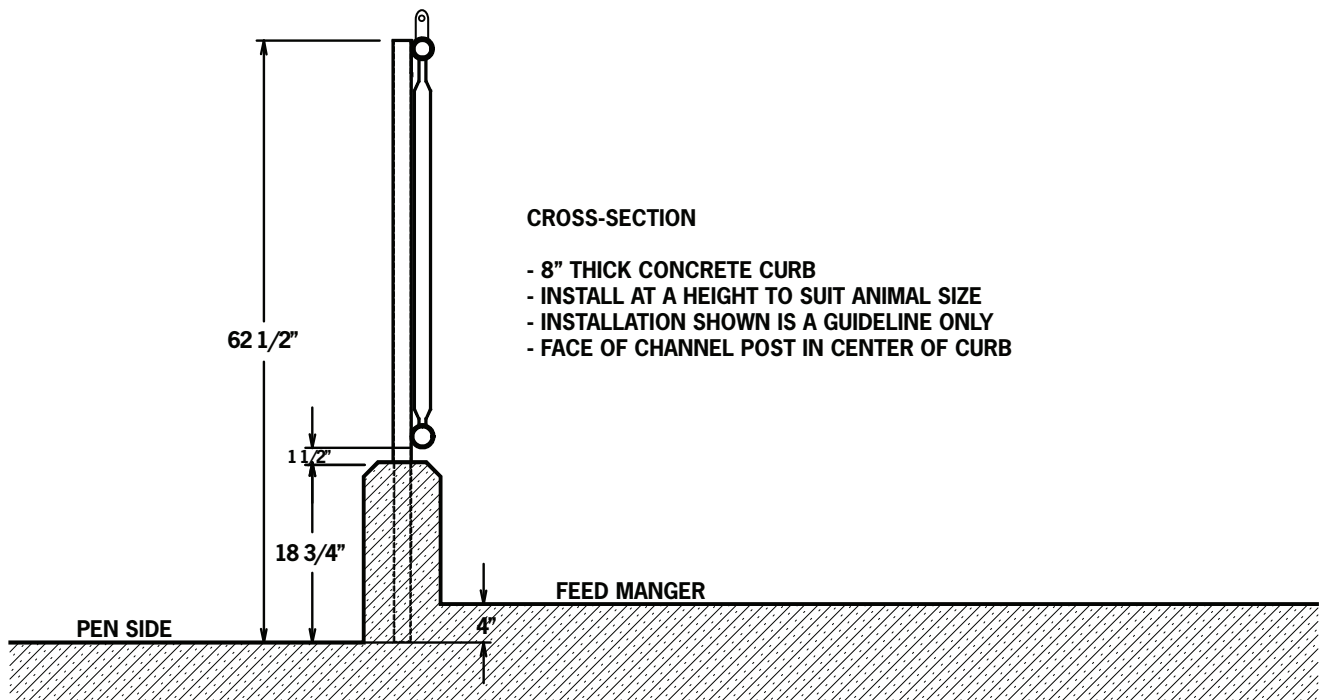
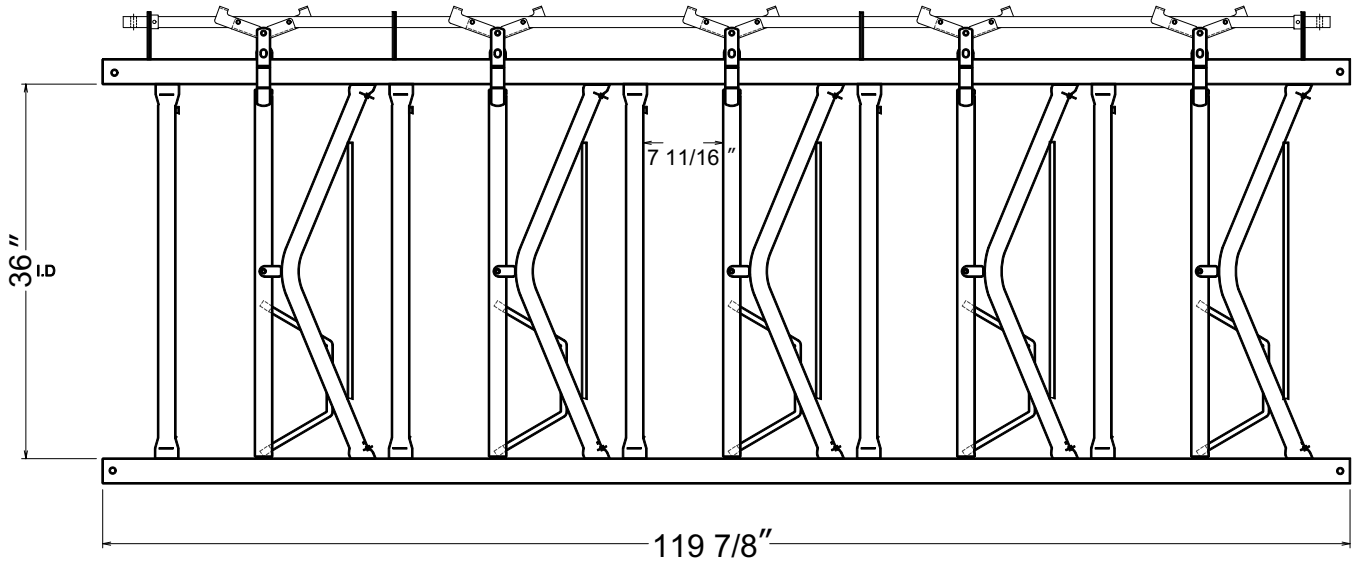


CROSS-SECTION

- 8" THICK CONCRETE CURB
- INSTALL AT A HEIGHT TO SUIT ANIMAL SIZE
- INSTALLATION SHOWN IS A GUIDELINE ONLY
- FACE OF CHANNEL POST IN CENTER OF CURB

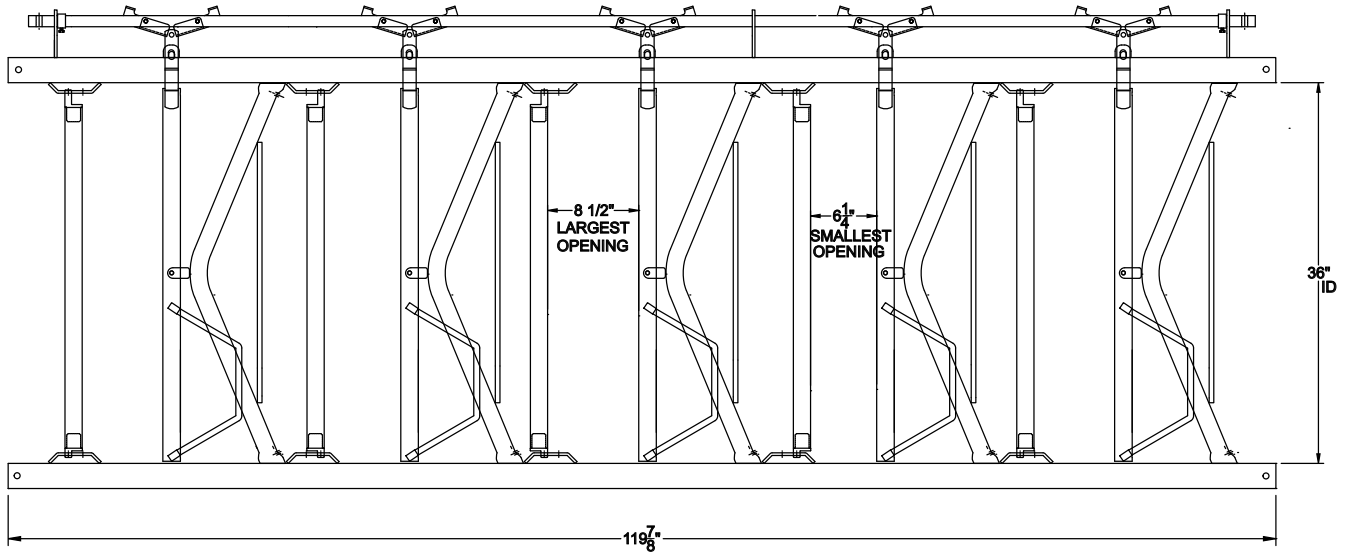
ASSEMBLY

- (1320008) 8' OPEN TOP SELF LOCK FRONT
- (1320010) 10' OPEN TOP SELF LOCK FRONT
- (1320012) 12' OPEN TOP SELF LOCK FRONT
- (1320062) ROD HANDLE (MAXIMUM 70 FT. PER HANDLE)



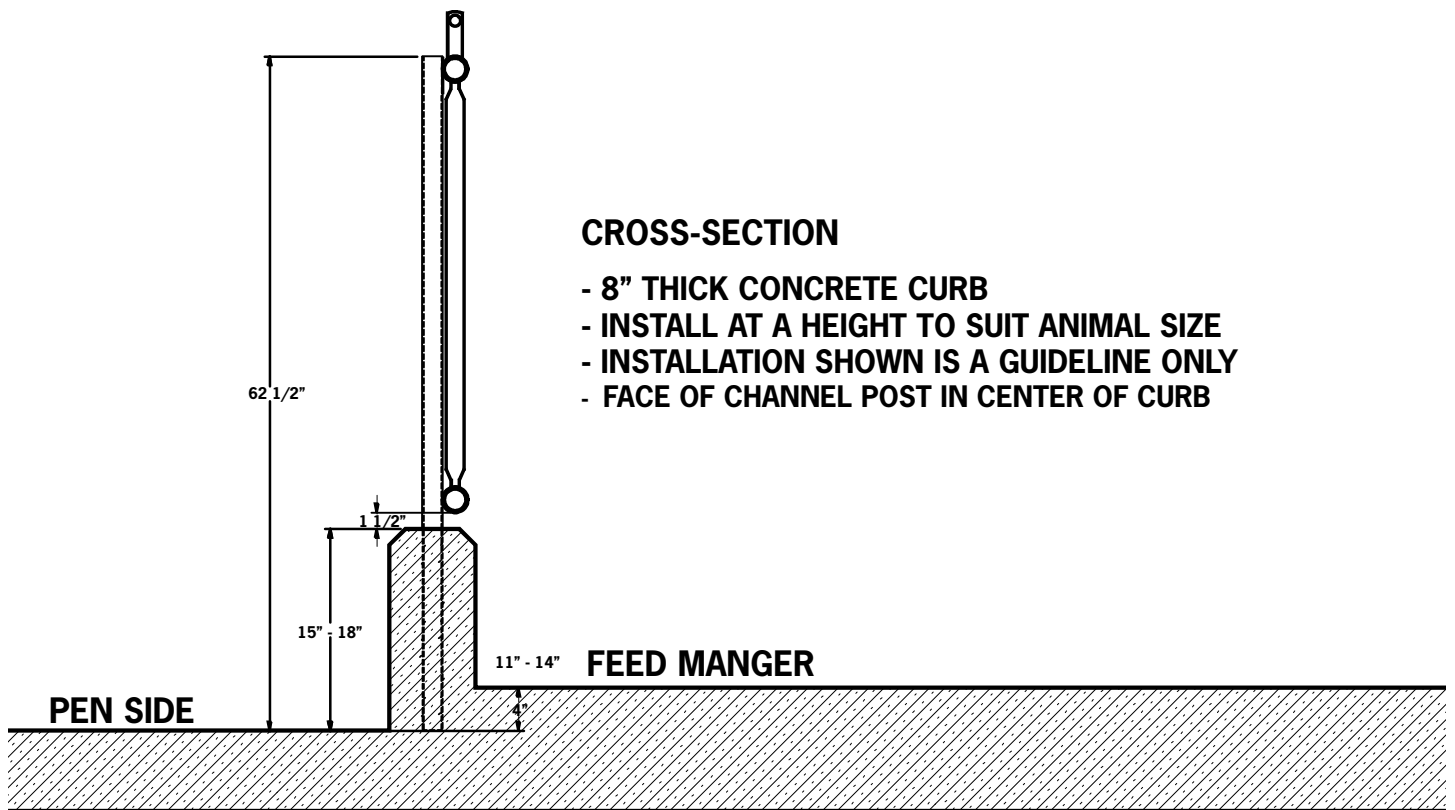
ASSEMBLY

(1330008) 8' SELF LOCK FRONT
(1330010) 10' SELF LOCK FRONT
(1330012) 12' SELF LOCK FRONT



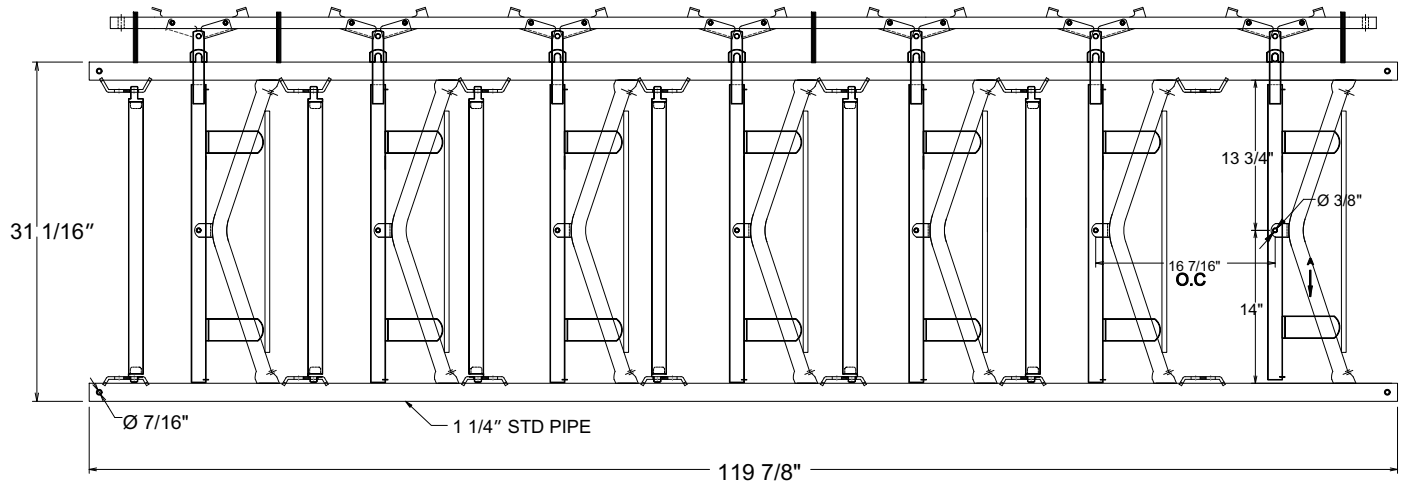
CROSS-SECTION

- 8" THICK CONCRETE CURB
- INSTALL AT A HEIGHT TO SUIT ANIMAL SIZE
- INSTALLATION SHOWN IS A GUIDELINE ONLY
- FACE OF CHANNEL POST IN CENTER OF CURB



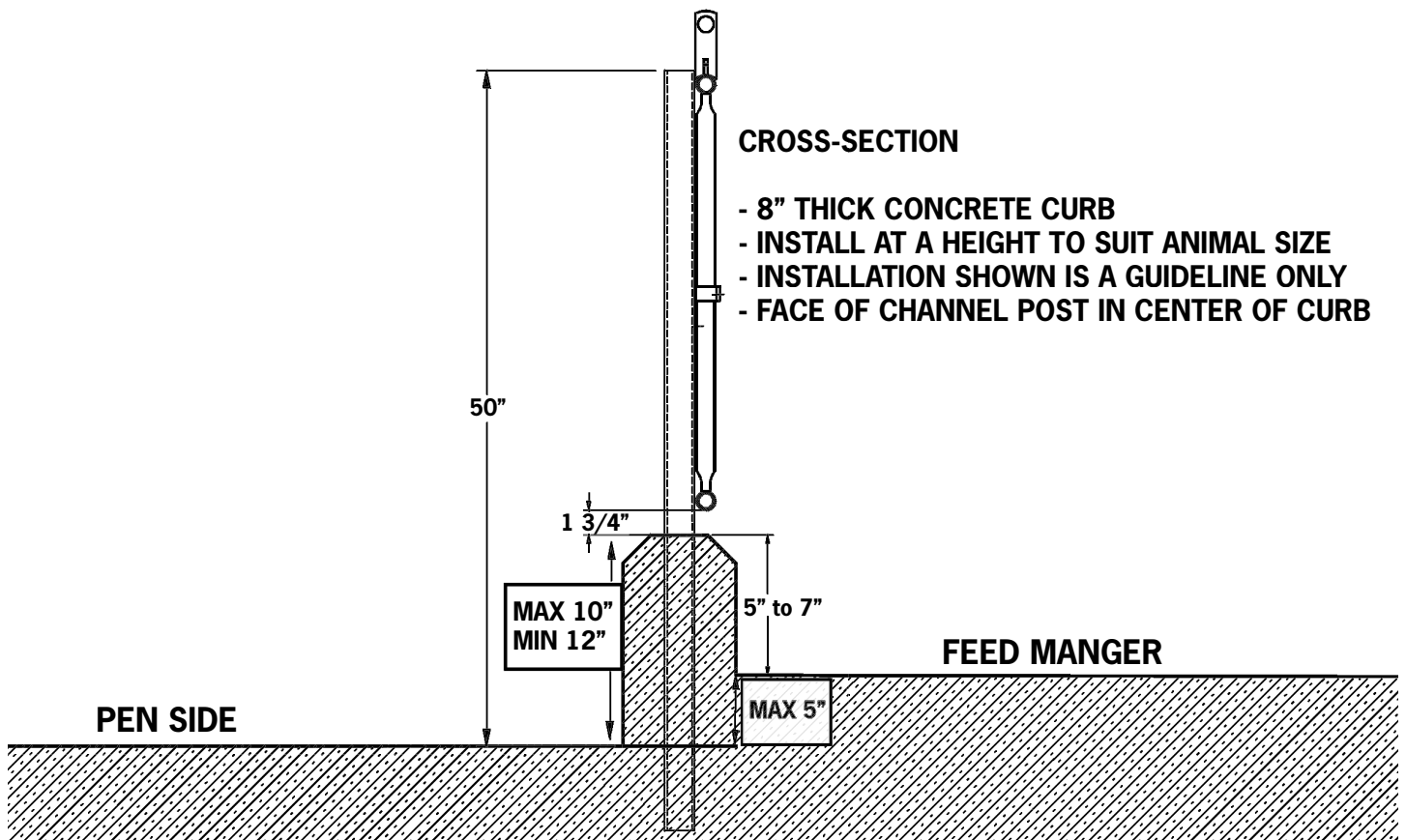
ASSEMBLY

1350010 10' ADJ SELF LOCK

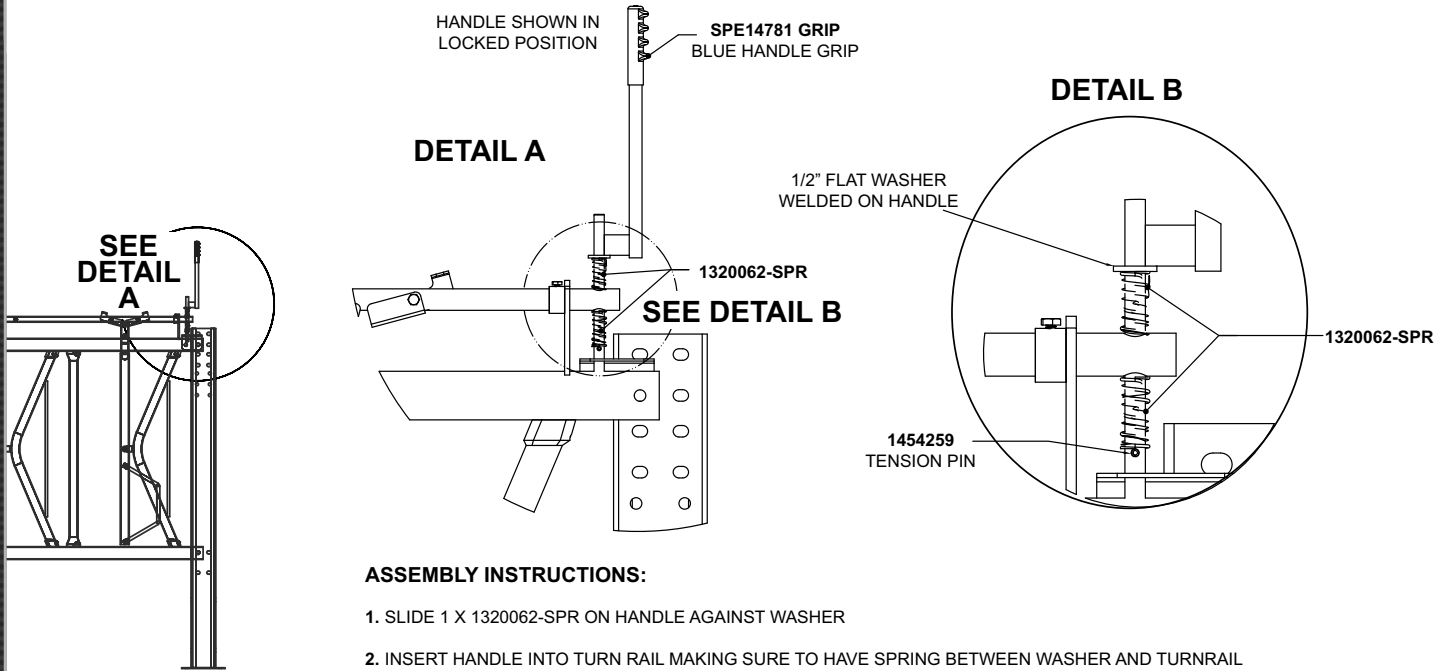


CROSS-SECTION

- 8" THICK CONCRETE CURB
- INSTALL AT A HEIGHT TO SUIT ANIMAL SIZE
- INSTALLATION SHOWN IS A GUIDELINE ONLY
- FACE OF CHANNEL POST IN CENTER OF CURB



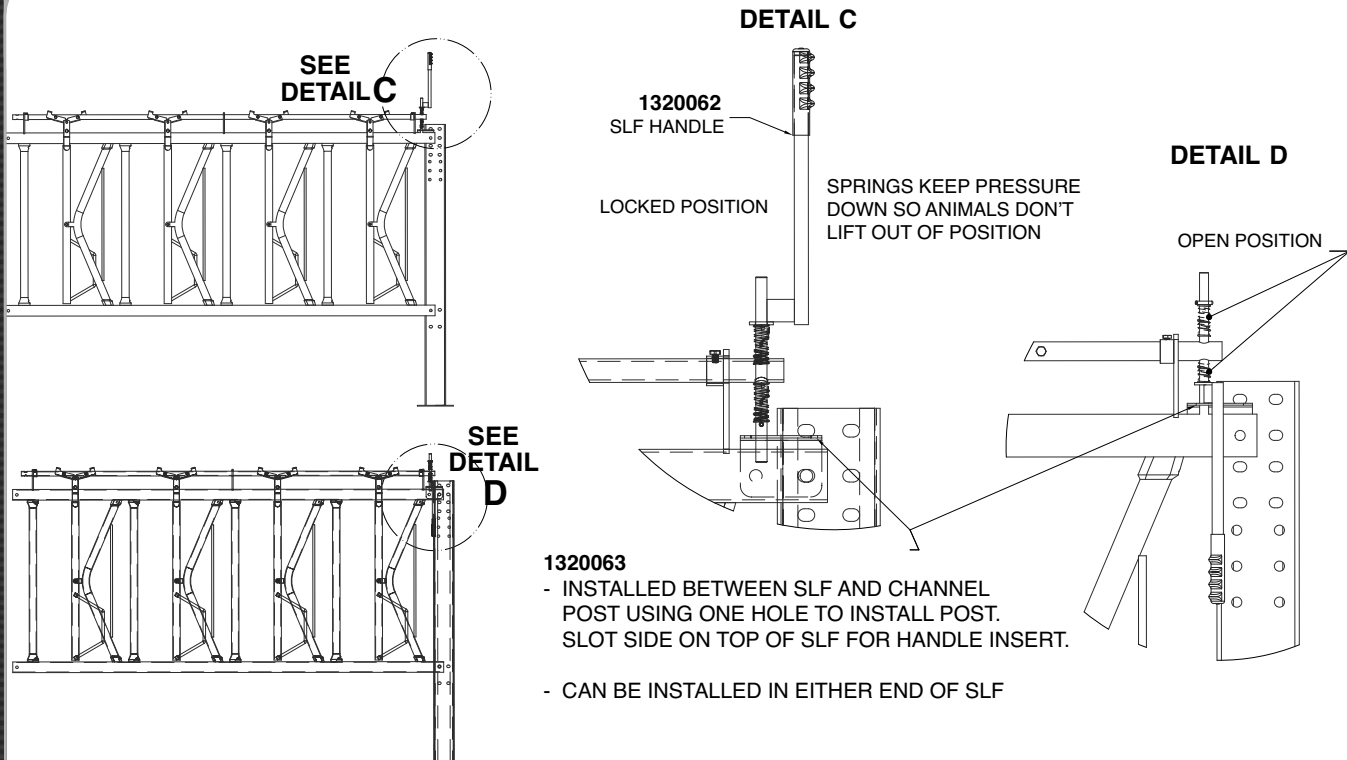
SELF LOCK HANDLE ASSEMBLY



ASSEMBLY INSTRUCTIONS:

1. SLIDE 1 X 1320062-SPR ON HANDLE AGAINST WASHER
2. INSERT HANDLE INTO TURN RAIL MAKING SURE TO HAVE SPRING BETWEEN WASHER AND TURNRAIL
3. SLIDE SECOND 1320062-SPR ON HANDLE, PUSH UP TIGHT TO TURNRAIL TO LEAVE ROOM TO TAP TENSION SPRING (1454259) INTO HOLE PROVIDED ON SELFLOCK HANDLE. THIS WILL KEEP TENSION ON SPRINGS IN BOTH POSITIONS.

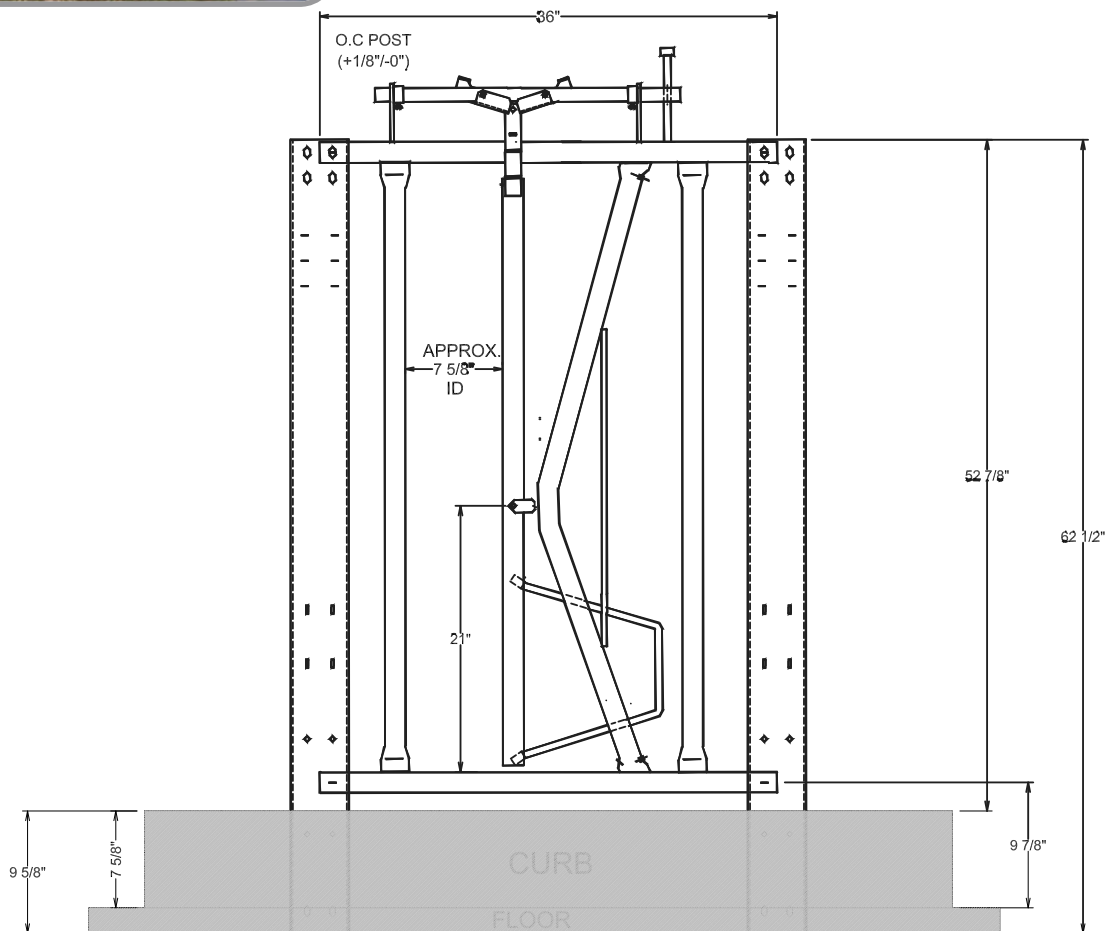
SELF LOCK HANDLE INSTALLATION



1320063

- INSTALLED BETWEEN SLF AND CHANNEL POST USING ONE HOLE TO INSTALL POST. SLOT SIDE ON TOP OF SLF FOR HANDLE INSERT.

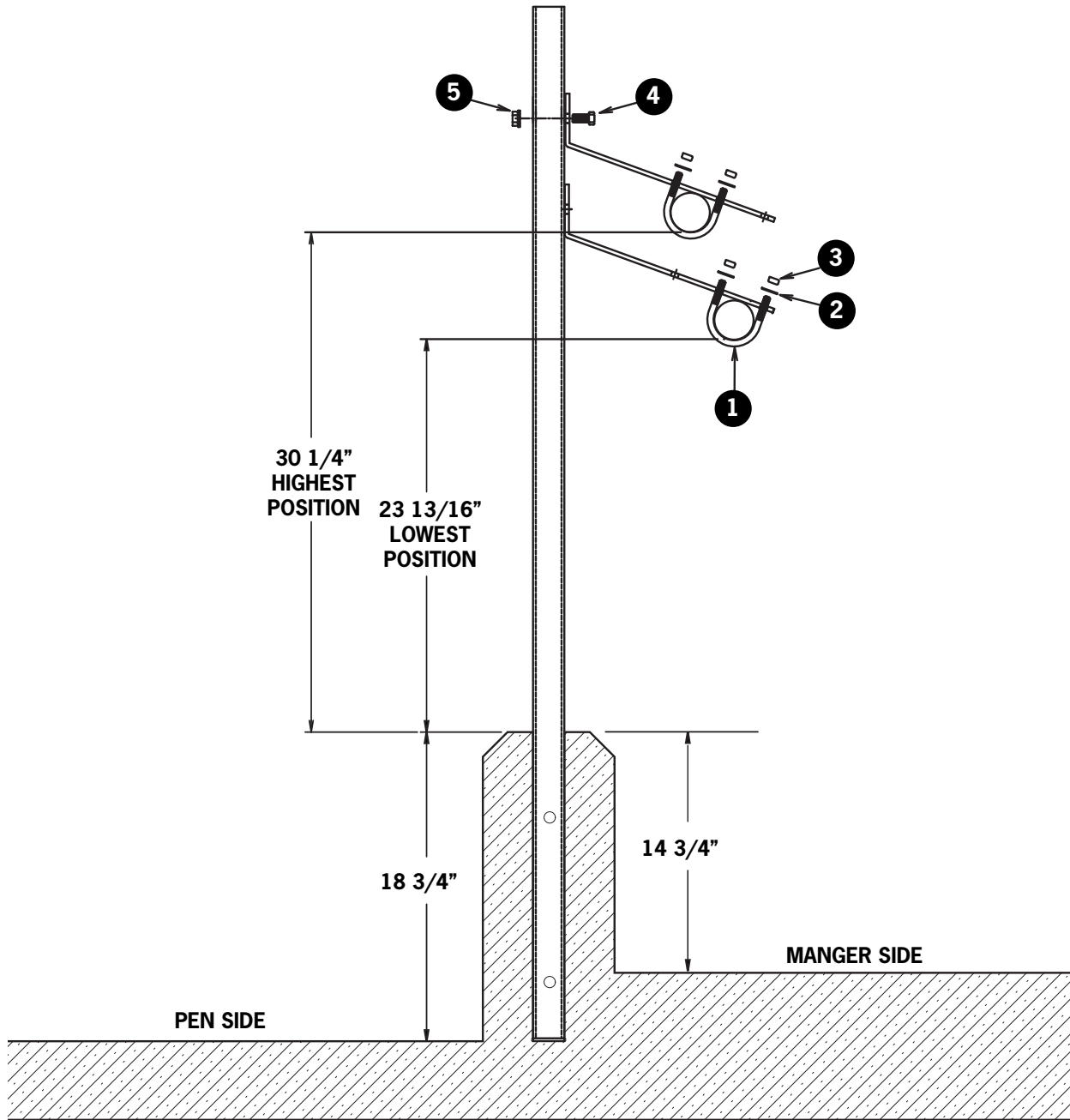
- CAN BE INSTALLED IN EITHER END OF SLF



ADJ HEADRAIL BRACKET / SLF POST (2 3/8" PIPE)



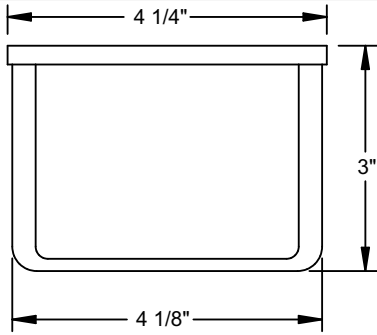
ASSEMBLY



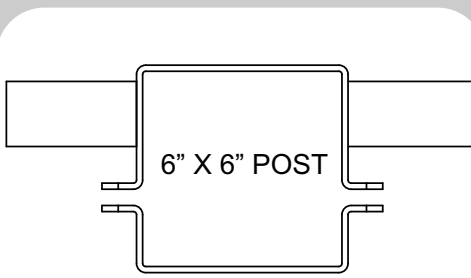
ADJ RAIL BKT 2 3/8"FL (BX/3) 1316706-3

ILLUS.	DESCRIPTION	QTY/PKG.
1	ADJ. RAIL BRACKET	3
2	2 3/8" O.D. FLANGE	3
3	3/8" X 1" HEX BOLT	12
4	3/8" NUT	12
5	3/8" X 3/4" HEX BOLT	6

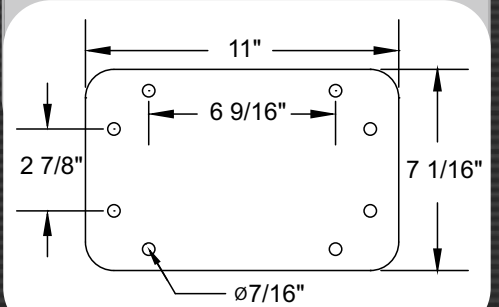
1325123
3" SLF CHANNEL POST TOP SPACER



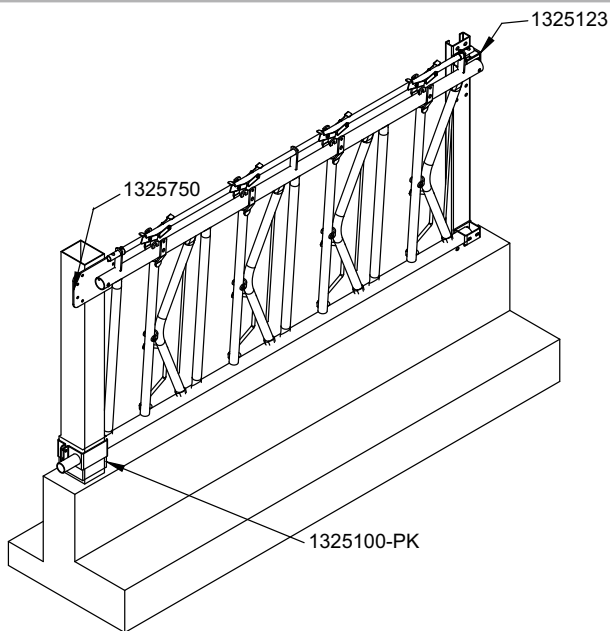
1325100-PK
POST CLAMP FOR SLF ON 6"X6" POST WITH SLEEVES



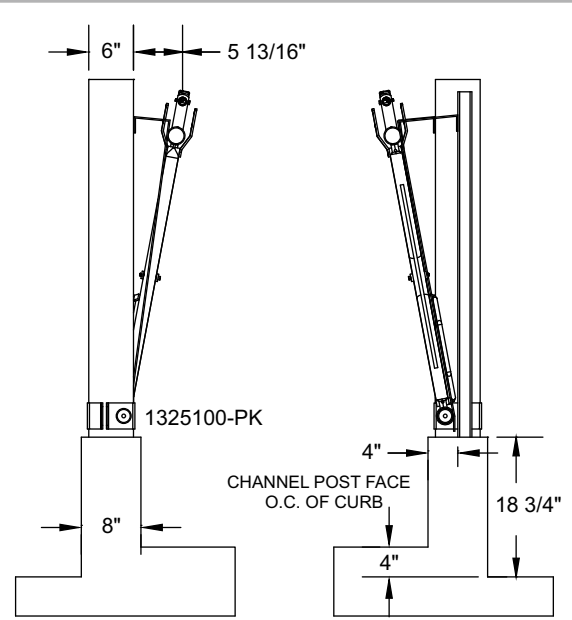
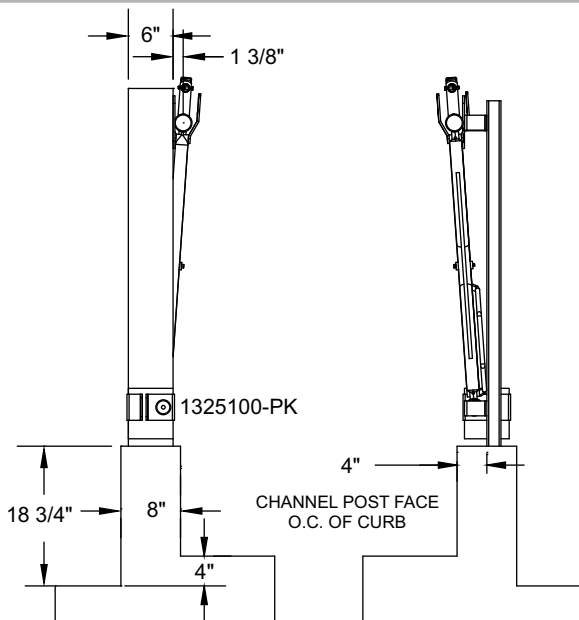
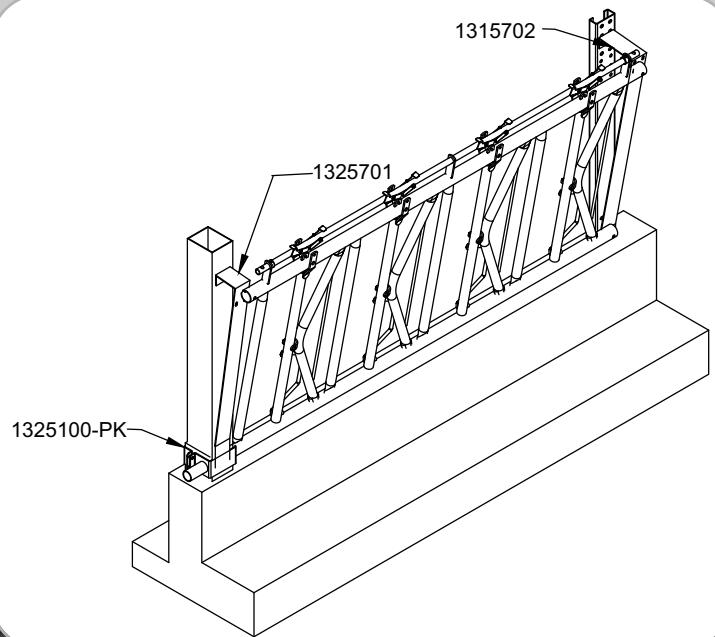
1325750
GALV SLF MOUNT PLATE FOR 6" POST



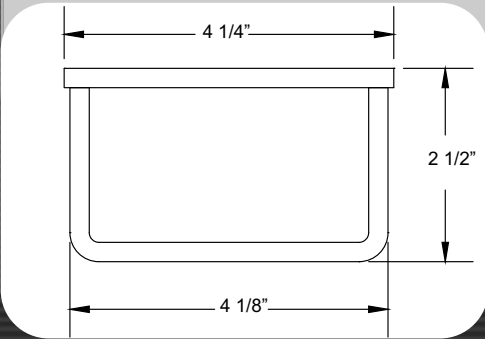
STRAIGHT MOUNT (6"X6" POST)



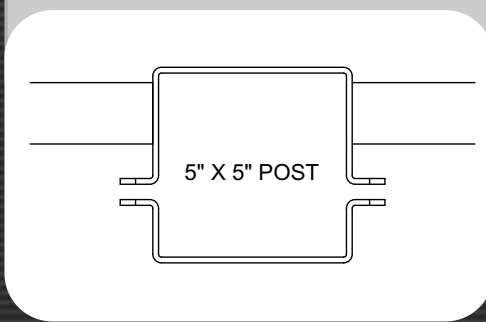
ANGLE MOUNT (6"X6" POST)



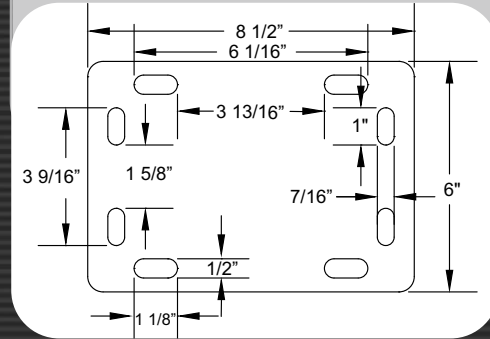
1325122
2" SLF CHANNEL POST TOP SPACER



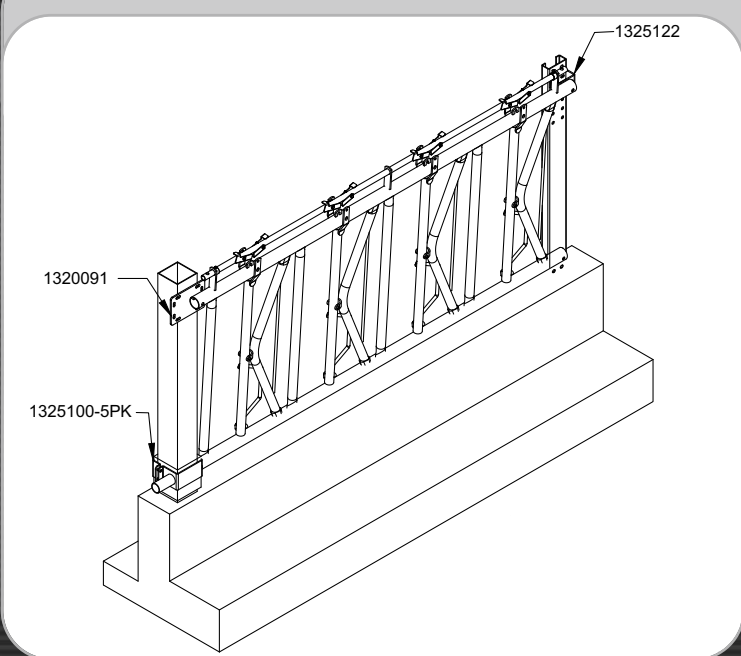
1325100-5PK
POST CLAMP FOR SLF ON 5"X5" POST WITH SLEEVES



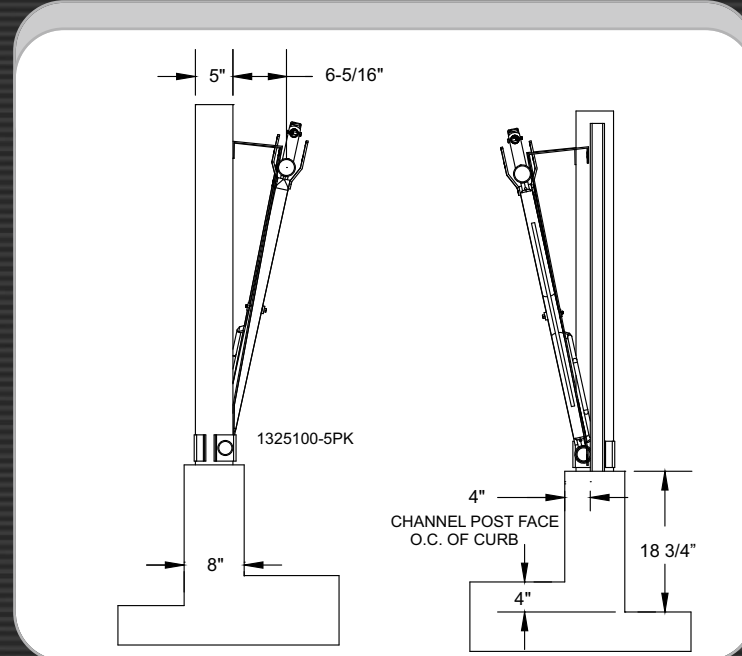
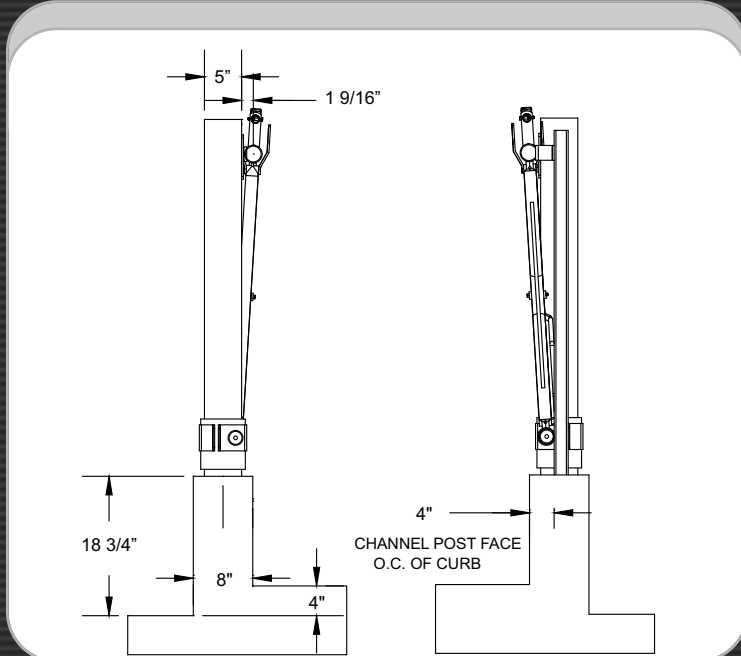
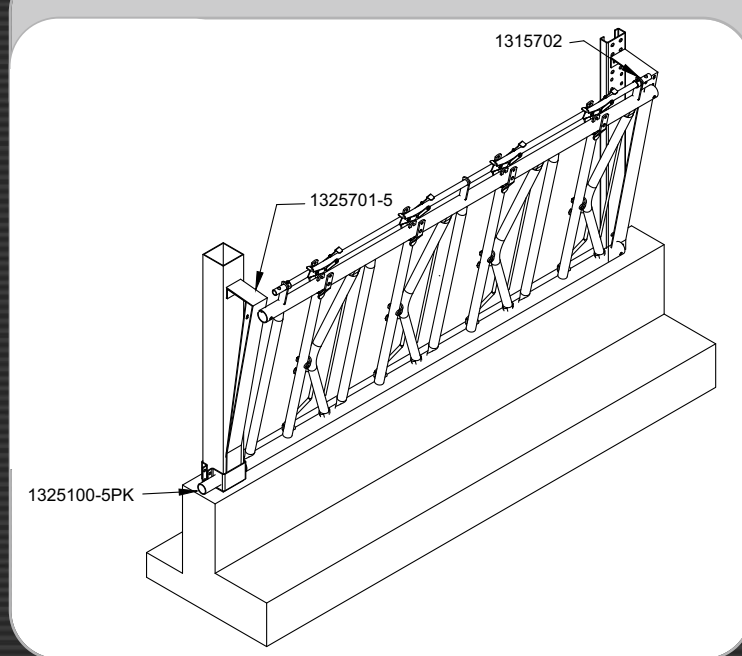
1320091
GALV SLF MOUNT PLATE FOR 4" OR 5" POST



STRAIGHT MOUNT (5"X5" POST)

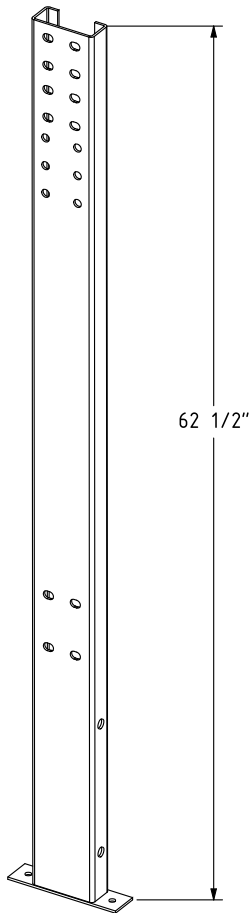


ANGLE MOUNT (5"X5" POST)



CHANNEL POSTS AND RAIL BRACKETS

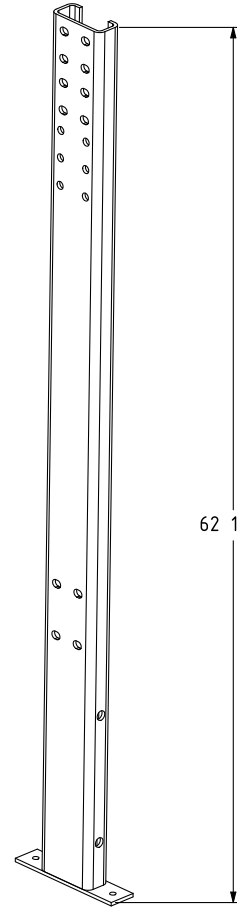
1315700N-09
8 GA. POST & PLATE



NOTE: 4 9/16" WIDE
1 7/8" DEEP

62 1/2"

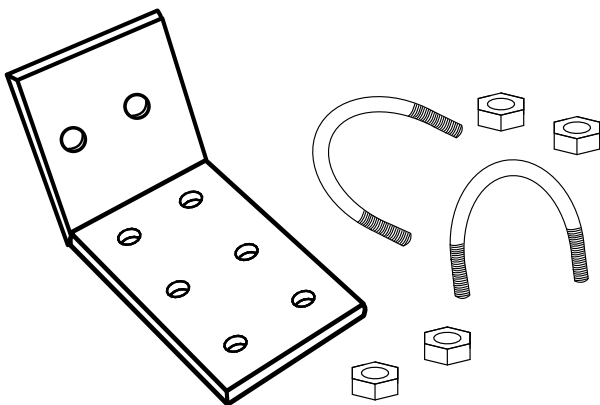
1315700H
1/4" POST & PLATE



NOTE: 5 1/2" WIDE
2" DEEP

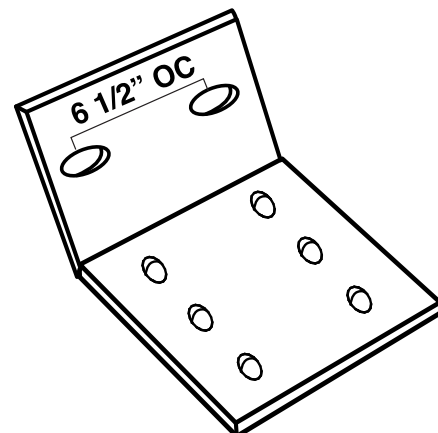
62 1/2"

1316706-3
ADJUSTABLE RAIL BRACKET (PKG OF 3)
(for BSM standard channel post)

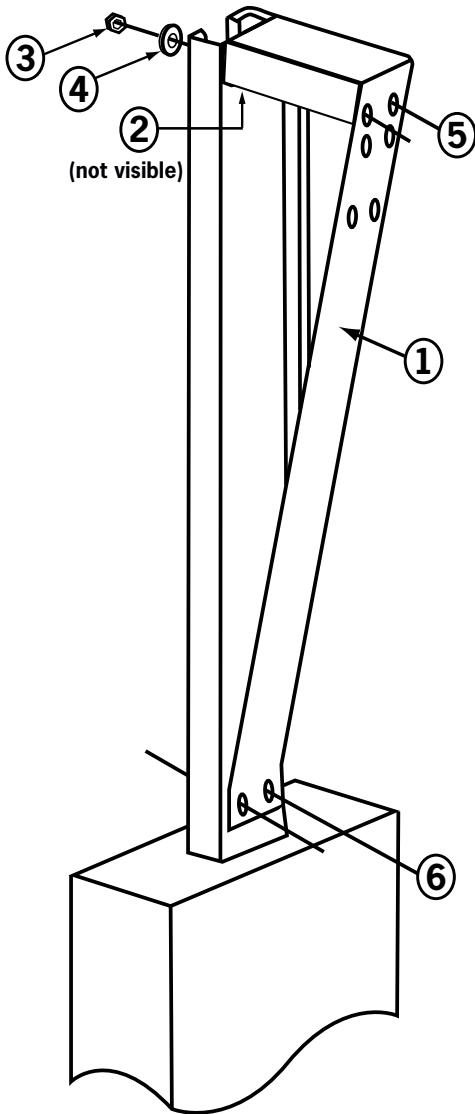


1316707
ADJUSTABLE RAIL BRACKET - 6 X 6 POST

* ALSO AVAILABLE FOR OTHER POST SIZES



ASSEMBLY



CALF (1315802)

ILLUS.	DESCRIPTION	PART #	QTY
1	S.L.F. CALF ANGLE MOUNT (BKT. ONLY)	1315801	1
2	3/8" X 1" CAR. BOLT (not visible)	BOL3/8-1C	2
3	3/8" NUT	NUT3/8	2
4	7/16" WASHER	WAS7/16	2
5	SELF LOCK BOLTS, 3/8" X 3" HEX.	INC. WITH S.L.F.	
6	SELF LOCK BOLTS, 3/8" X 2 1/2" HEX.	INC. WITH S.L.F.	

COW & HEIFER (1315702)

ILLUS.	DESCRIPTION	PART #	QTY
1	S.L.F. COW/HEIFER ANGLE MOUNT (BKT. ONLY)	1315701	1
2	3/8" X 1" CAR. BOLT (not visible)	BOL3/8-1C	2
3	3/8" NUT	NUT3/8	2
4	7/16" WASHER	WAS7/16	2
5	SELF LOCK BOLTS, 3/8" X 3" HEX.	INC. WITH S.L.F.	
6	3/8" X 3 1/2" HEX BOLT	BOL3/8-3 1/2H	2



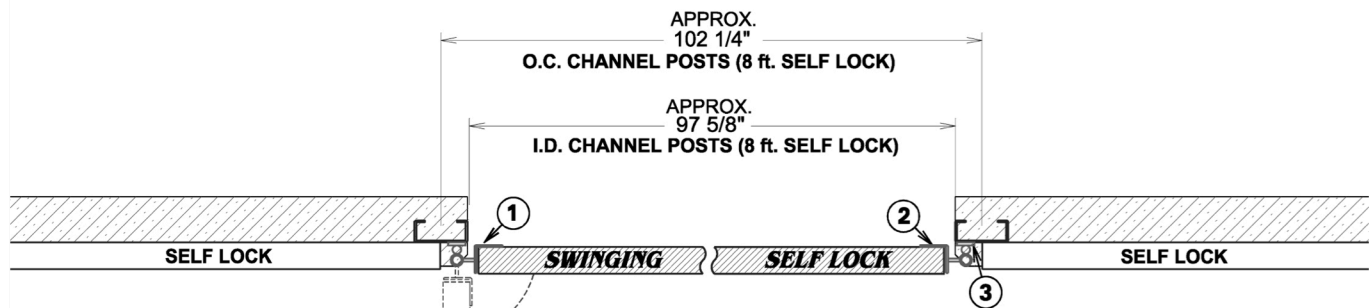
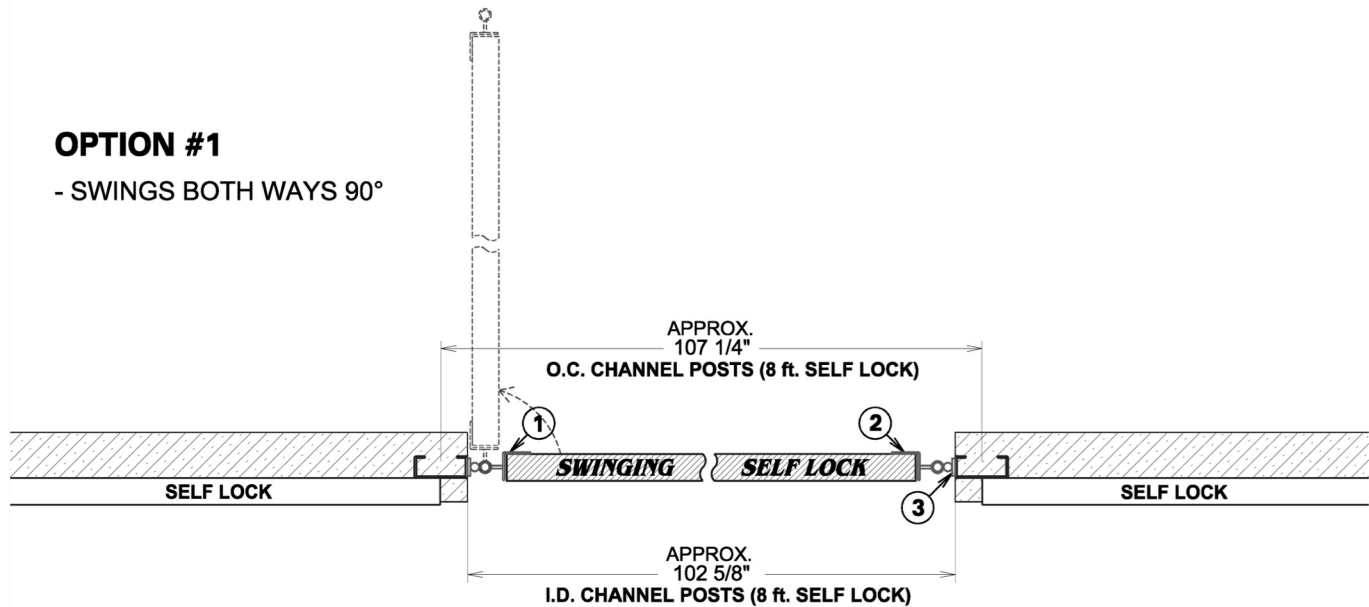
Call a Canarm AgSystems' customer service representative for more mounting options.

- 1) Bolt the top of the bracket to the top of the post with the two 3/8" x 1" car. bolts included with each bracket.
- 2) Use **Bolt #6** to fasten the S.L.F. bottom pipe and angle mount bracket to the channel post.
- 3) Bolt top rail of self lock to the mounting bracket with the 3/8" x 3" hex. bolts.

ASSEMBLY

OPTION #1

- SWINGS BOTH WAYS 90°



OPTION #2

- SWINGS OUT ONLY 90°
- CURB MUST BE CHAMFERED ON FRONT CORNERS

SWINGING SELF LOCK PARTS

ILLUS.	DESCRIPTION	PART #
1	SLF SWING END LEFT / COW & HEIFER	1310795
2	SLF SWING END RIGHT / COW & HEIFER	1310796
3	BOLT ON HINGE STRAP	1444275
N/S	5/8" HINGE PIN	1454252
N/S	3/4" HINGE PIN	1454252-3/4

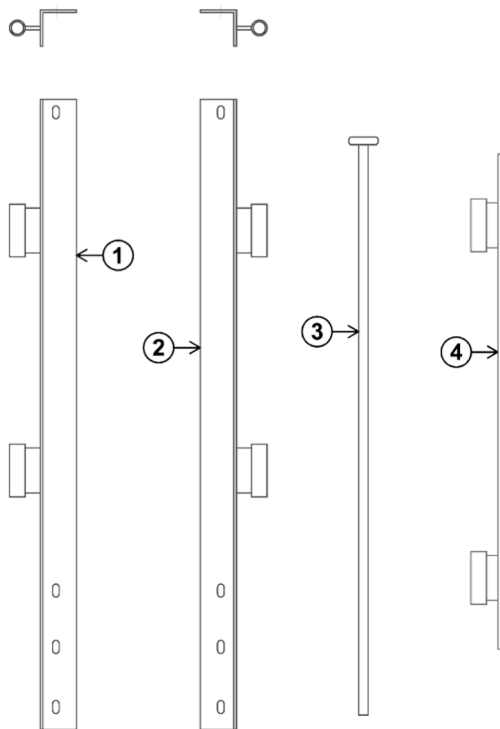
① **1310795**
SLF SWING END LEFT / COW & HEIFER (50" LG.)

② **1310796**
SLF SWING END RIGHT / COW & HEIFER (50" LG.)

③ **1454252**
5/8" HINGE PIN

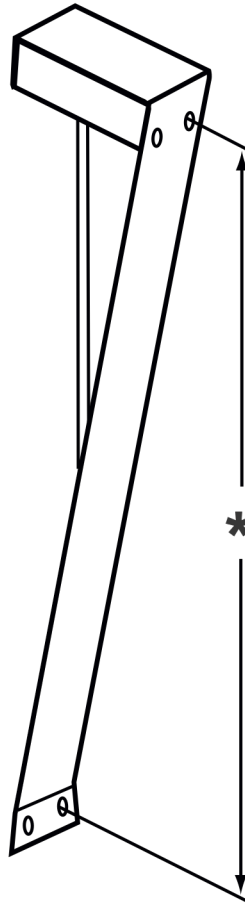
③ **1454252-3/4**
3/4" HINGE PIN

④ **1444275**
BOLT ON HINGE STRAP

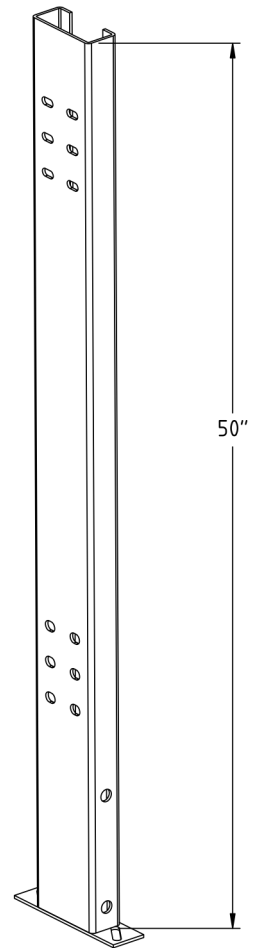


1315802
SLF ANGLE MOUNT KIT, CALF 32"

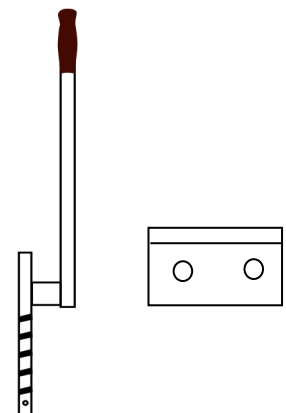
1315702
COW/HEIFER SLF ANGLE MNT,
C/W HDW



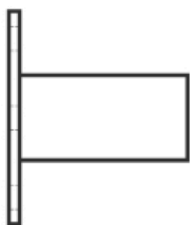
1315805
CALF CHANNEL POST / 50"



1320062
12" TURNING HANDLE/OPEN TOP SLF
c/w BRACKET



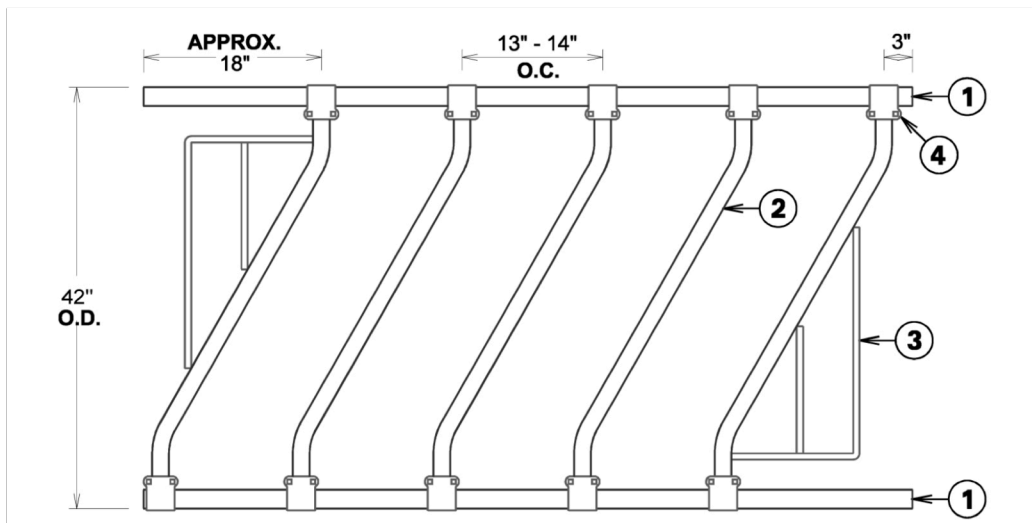
1110476-5
END JOINER (2 3/8" OD PIPE)
PKG 5



1310442-5
END JOINER (1 5/8")
BOX 5

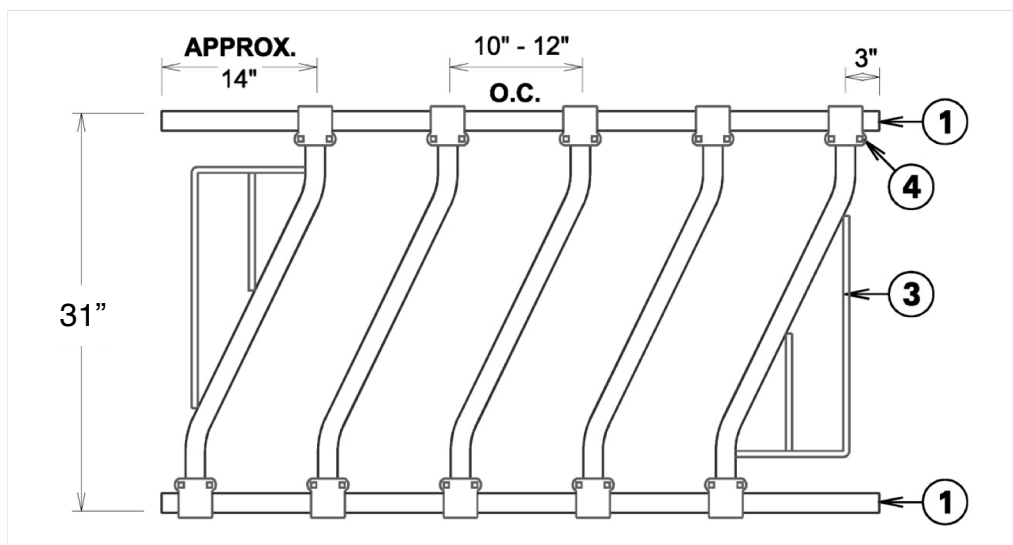


ASSEMBLY - (COW & HEIFER)



ILLUS.	DESCRIPTION	PART #
1	1 5/8" OD PRE-GLV. PIPE - 21' LENGTH	1110500-1
2	CLAMPED IN ANGLED UPRIGHT (38" OD)	1310310
3	38" END UPRIGHT c/w FILLER (COW ANGLED FRONT)	1310310E
4	T-CLAMP 1 5/8" - 1 5/8" (BOX OF 10) (USE WITH GALV. PIPE)	101110E-10

ASSEMBLY - (CALF)

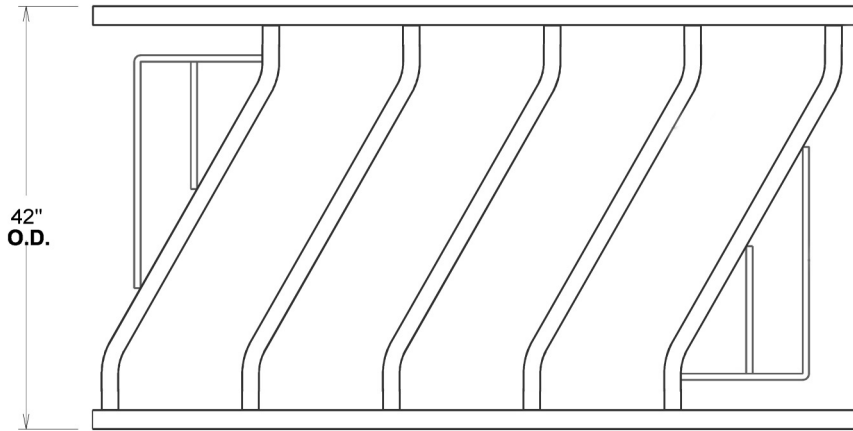


ILLUS.	DESCRIPTION	PART #
1	1 5/8" OD PRE-GLV PIPE - 21' LENGTH	1110500-1
2	CLAMPED IN ANGLED UPRIGHT / CALF	1310330N
3	CLAMPED IN ANGLED UPRIGHT END PC. / CALF	1310331N
4	T-CLAMP 1 5/8" - 1 5/8" (BOX OF 10) (USE WITH GALV. PIPE)	101110E-10



42" WELDED (COW & HEIFER)

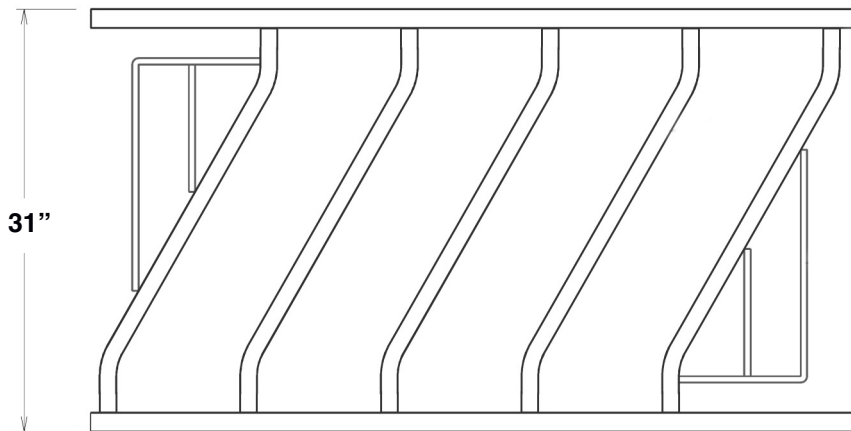
(SWING OPTIONS AVAILABLE - CALL FOR PRICES & DETAILS)



**Call for
availability
and pricing.**

33" WELDED (COW & HEIFER)

(SWING OPTIONS AVAILABLE - CALL FOR PRICES & DETAILS)



**Call for
availability
and pricing.**

INSTALLATION GUIDELINES FOR FREESTALLS & SELF LOCKING FEED FRONTS



GUIDELINES ONLY! MUST INSTALL FREESTALLS TO MATCH ANIMAL SIZE

i = breeding age

ii = calving age

iii = horizontal distance from rear of platform to bottom of brisケット bracket

iv = horizontal distance from rear of platform to o.c. neckrail

v = stall height from top of compressed bedding (or mat) to bottom of headrail

vi = 1 1/2" space between curb and bottom pipe of SLF

* new recommendations for 1600 lb. + cows (must use 101169-10 clamp for 85" & 94" loops)

SPREAD DIVIDERS TO MATCH THE INSTALLATION HEIGHTS GIVEN

HEIFER SIZE & WEIGHT			FREESTALLS										SELF LOCK FEED FRONTS	
Approx. Age (months)	Approx. Weight (lbs)	Height To Top Of Back	Freestall Arch Length	PLATFORM LENGTH		Stall Width (o.c.)	(iii) Brisquet Locator	(iv) Neckrail	(v) Stall Height	Total Height (Cow Side)	(vi) CURB HEIGHT		Type of Self Lock	
				Single Stalls	Double Stalls						Cow Side	Feed Side		
Birth	100													
1	150													
2	200													
3	275	37"	48"	55"	106"	26"	40"-43"	39"-41"	31"	44"	10"	5"	Adj. Calf	
4	350	41"	48"	55"	106"	27"	42"-45"	41"-43"	32"	46"	10"	5"	Adj. Calf	
5	400	43"	48"	56"	106"	28"	44"-47"	43"-45"	33"	46"	12"	7"	Adj. Calf	
6	450	44"	48"	57"	111"	30"	45"-48"	44"-46"	35"	48"	12"	7"	Adj. Calf	
7	500	46"	48"	58"	111"	31"	47"-50"	46"-48"	36"	48"	12"	7"	Adj. Calf	
8	550	47"	60"	67"	132"	32"	49"-52"	47"-49"	37"	50"	12"	7"	Adj. Calf	
9	600	48"	60"	67"	132"	33"	50"-53"	48"-50"	38"	50"	15"	11"	Adj. SLF	
10	700	49"	60"	68"	134"	35"	52"-54"	50"-52"	39"	50"	15"	11"	Adj. SLF	
11	750	50"	60"	72"	136"	36"	52"-55"	54"-56"	40"	50"	15"	11"	Adj. SLF	
12 (i)	800	51"	60"	72"	136"	37"	56"-59"	54"-56"	40"	52"	15"	11"	Adj. SLF	
13 (i)	850	52"	60"	72"	139"	38"	56"-59"	55"-58"	41"	52"	15"	11"	Adj. SLF	
14 (i)	900	53"	72"	84"	139"	39"	56"-59"	55"-58"	41"	54"	15"	11"	Adj. SLF	
15 (i)	950	55"	72"	84"	159"	40"	57"-60"	57"-59"	42"	54"	15"	11"	Adj. SLF	
16	1010	55"	72"	86"	159"	40"	58"-61"	57"-59"	42"	56"	15"	11"	Adj. SLF	
17	1060	55"	72"	86"	163"	42"	58"-62"	58"-61"	43"	56"	18"	14"	Adj. SLF	
18	1120	56"	72"	90"	163"	42"	58"-62"	59"-62"	43"	58"	19"	14"	Cow	
19	1150	56"	72"	90"	166"	44"	59"-62"	59"-62"	44"	58"	19"	14"	Cow	
20	1190	58"	72"	96"	166"	44"	59"-62"	60"-64"	45"	60"	19"	14"	Cow	
21	1230	60"	79"	100"	175"	46"	59"-62"	60"-64"	45"	60"	19"	14"	Cow	
22	1270	60"	79"	100"	175"	46"	62"-65"	64"-68"	46"	60"	19"	14"	Cow	
23	1310	60"	79"	102"	180"	46"	64"-67"	64"-68"	47"	61"	19"	14"	Cow	
24 (ii)	1350	60"	79"	102"	180"	47"	65"-68"	66"-70"	48"	61"	19"	14"	Cow	
Cows (std.)	85" loop	58"-60"	88"	108"	192"	48" +	70"	70"-72"	49"-51"	62"-63"	19"	14"	Cow	
Cows (std.)	94" loop	58"-60"	96"	120"	216"	50"-52"	70"	70"-72"	50"-52"	62"-63"	19"	14"	Cow	

USE CALF PENNING FOR ANIMALS UNDER 200 LBS. (See Calf Suites Section)

FEED FRONTS

1. **Order feed fronts**
 - Specify Adjustable, Non-Adjustable, Wider Space
 - Cow is 41" high, and calf is 30" high.
 - Number of openings per length
 - Cow (8' - 4 openings, 10' - 5 openings, 12' - 6 openings)
 - Cow Adjustable
 - **Cow Wider Spacing**
 - Calf (10' - 8 openings)
 - Neck opening sizes & o.c. of openings
 - Cow - 7 5/16" / 22.5"
 - Calf - 13" OC
2. **Order channel posts**
 - One more than number of sections (if in one row)
 - Order extra posts if adding walkthroughs in row
3. **Order handles**
 - One for each run of SLFF (max 70' per handle)

OPTIONAL:

1. **Order angle mount brackets** - one per channel post (tilt out self lock option)
2. **Order end joiners** if ending at a wall

TO ORDER A SWINGING SLFF SECTION:

1. **Order** one of each **SLFF swing ends** (left and right)
2. **Order** one **3/4" pin** - for hinge end
Order one **5/8" pin** - for latch end
3. **Order** two **bolt on hinge straps** for walls and channel post

ANGLED FEED FRONTS

COW

1. **Order Uprights, T-clamps and end up-rights** (c/w filler)

Example: 120" - (18" for start and finish) / (13" - 14" oc) = 7 openings

CALF

1. **Order Uprights, T-clamps and end up-rights** (c/w filler)

Example: 120" - (15" for start and finish) / (10" - 12" oc) = 9 openings

Parts needed: 8 uprights + 2 end uprights + 20 T-clamps

COW

		6'	8'	10'
1110500-1	21' LG PRE-GALV. 1 5/8" PIPE	.6	.7	.9
1310310	ANGLED UPRIGHT	3	4	6
1310310E	ANGLED UPRIGHT END FILLER	2	2	2
101110E-10	T-CLAMP (BOX OF 10)	1	1.2	1.6

CALF

		6'	8'	10'
1110500-1	21' LG PRE-GALV. 1 5/8" PIPE	.6	.7	.9
1310330N	ANGLED UPRIGHT	4	6	8
1310331N	ANGLED UPRIGHT END FILLER	2	2	2
101110E-10	T-CLAMP (BOX OF 10)	1.2	1.6	2.0