



Since 1948

# 3333 Multi-Use Vertical Pump

## High-Performance 3" Pump

Agitate **FAST**, Transfer **FAST**, Load **FAST**



10 ft. unit shown.

- Dairy waste water
- Manure separator liquid residues
- Flood waters
- Hog manure

- **High-volume delivery.** The voluted design of the impeller housing and the curved blades increase pumping efficiency at an approximate rate of 500 gallons/min (1,892 liters/min).
- **Lower repair costs.** Abrasion-resisting steel impeller housing and shredder plate help eliminate/reduce costs.
- **Unique seal system.** Promotes longer bearing life.
- **Light weight and high-strength discharge pipe.** Our 3-inch (76 mm)-diameter Schedule 80 PVC discharge pipe reduces the weight of the pump for easy handling while providing a high-strength, low-wear, low-friction discharge tube.
- **Pump available in various lengths.** Custom ordered to fit pit depths of 3 to 12 feet (1 to 3.6 m).
- **All stainless steel hardware.** Hardware below the liquid line is stainless steel for long life and easy servicing.

Ryzebol Dairy milks three times per day and keeps their 3333 pump running 24/7/365 to pump out wastewater from the milking parlor.

Ryan Buchanan, farm manager, states their first 3333 pumped over 1,000,000 gallons/year and ran very well for 5 years with only basic maintenance needed. When the time came to replace the old pump, they knew they could count on their next Patz pump for at least another 5,000,000 gallons.



**MANURE SOLUTIONS**  
[www.patzcorp.com](http://www.patzcorp.com)

# More Features and Benefits of the 3333.

*An affordable & efficient way to move your waste water.*

This pump handles limited fibrous waste water for versatile uses! The impeller blades' swept-back design increases pumping efficiency for high-volume flow through the 3-inch (76 mm) PVC pipe. The impeller's stainless steel stub shaft prevents rust and improves seal life.



**Protection against bearing contamination.** The lower bearing's oil-bath chamber has four seals to keep contaminants out.

**Shear plate located close to the impeller** helps prevent clogging and provides positive input.

**Impeller transition area features heavier, abrasion resisting steel for long life.**

**Attaching eye located on top of the pump allows easy insertion and removal** of the unit in the pit with a tractor loader, skid-steer loader, or winch.

**A steel plate is included as standard equipment to allow you to precisely position the pump to match your pit depth.** Plate can be lagged to a concrete pad or curb.



The optional rotating nozzle for agitation allows handling many types of liquid waste and improved pit cleanout. The nozzle's shutoff valve has a stainless steel knife to open and close the port. You can transfer or load while agitating. An output shutoff valve allows faster pit agitation.

**Choice of volume output.** Patz offers a choice of electric motors (3, 5, 7½, or 10 HP) and pulleys to match your output requirements. Output capacities range up to 510 gallons (1,930 liters) per minute at 15-foot (4.6 meters) head. (Guard removed for viewing purposes only.)



**NEED A LARGER PUMP - ASK FOR INFORMATION ON OUR LARGE VERTICAL PUMPS - 4444, 6000, 6000E, 8000, & 8000HP.**

The tapered-bore drive pulley mounts to a 1-1/8-inch (29 mm) drive shaft with a greaseable flange bearing at the top of the drive tube. A lip seal below this bearing keeps contaminants out of the drive tube. The drive tube is filled with oil to lubricate the support bearings inside the tube and the bottom bearing.

**Bearing seals can be purged every 8 hours** thanks to a grease line from the seal pack to the top of the pump.

**Easy access to oil reservoir.** End guessing - inspect oil level conveniently in transparent oil line at top of pump. A large fill hole allows easy access for adding oil to the drive tube. (Patz recommends using a non-detergent oil.)



**CAUTION: Never operate Patz equipment without all shields and guards in place. Safety is no accident. Before operating any piece of equipment, be sure to read and understand the operators manual. The manual should be kept with the machine at all times.**

**Additionally, make sure all safety shields and devices are functioning properly and are securely in place.**



*For some photos in this brochure, guards were removed for photographic purposes only to allow viewing of the equipment features. Before operating equipment, all guards must be in place. Because Patz continually improves and updates products, Patz reserves the right to change the construction of machines or attachments or any part thereof without incurring any obligation to make like changes on Patz machines, or attachments previously delivered.*

*Specifications and prices subject to change without notice.*

**Proven Performance You Can Count On!**

**Patz Corporation**

**917 Business 141, POB 7 • Pound, Wisconsin 54161-0007**

**Ph: (920) 897-2251 • Fax: (920) 897-2142**

**www.patzcorp.com • info@patzcorp.com**



**Since 1948**



# 4444 Vertical Pit Pump



Since 1948

## High-Capacity 4" Pump for Wastewater & Liquid Slurry

### Efficient

- **High pumping capacity** of up to 1,580 gal./min. (5,981 liters/min.).
- **High-volume delivery.**
- **Features 16-inch (40.6 cm) impeller** with shear plate and chopper.

### Versatile

- **Variable agitation capabilities** with standard dual agitation system.
- **Various lengths available** to fit pit depths from 5 ft. 6 in. (1.7 m) to 12 ft. 10 in. (3.9 m).

### Durable

- **Abrasion-resisting steel** in high-wear areas for longer life.
- **Protection against bearing contamination.**

*Let Patz handle your manure so you don't have to!*

**Count on the Patz 4444 Pump to:**

- ✓ **Agitate** a pit.
- ✓ **Move** liquids from short-term to long-term storage.
- ✓ **Load** tankers, spreaders, & separators.
- ✓ **Transfer** wastewater.



**MANURE SOLUTIONS**  
[www.patzcorp.com](http://www.patzcorp.com)

**FLEXIBLE PAYMENT  
PLANS AVAILABLE.  
ASK FOR DETAILS.**

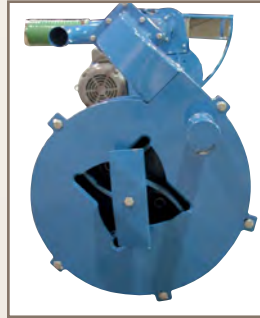




# More Features and Benefits of the 4444.

*An affordable & efficient way to move your wastewater & liquid slurry.*

**Impeller blades:** This versatile pump handles limited fibrous waste. The impeller blades' swept-back design increases pumping efficiency for high-volume flow through the 4-inch (101.6 mm) steel tube.



**Easy access to oil reservoir.** End guessing! Inspect oil level conveniently in the semi-transparent oil reservoir at the top of the pump. Patz recommends using an 85W90 oil.

**Protection against bearing contamination.** The lower bearing's oil-bath chamber has three seals to keep contaminants out.

**Shear plate located close to the impeller** helps prevent clogging and provides positive input.

**Lifting loops** located on top of the pump allow easy insertion and removal of the unit from the pit with a tractor loader, skid-steer loader or winch.

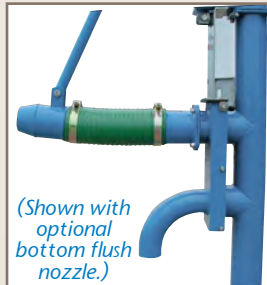
**A steel mounting plate** is included as standard equipment to allow precise positioning of the pump to match the pit depth. Plate can be lagged to a concrete pad or curb.



*(Guard removed for viewing.)*

**Choice of volume output:** Choose from 7½ - 40 HP single motor speed packages or 7½ and 10 HP matched twin motor speed packages along with the appropriate motor(s) to obtain the desired flow rate. Output capacities range up to 1,580 gallons (5,981 liters) per minute at 10 ft. (3.1 m) head. Capacities are based on water.

**Standard riser pipe:** Adjustable upper nozzle (raise/lower) and fixed bottom nozzle allow handling of many types of liquid manure and improve pit cleanout. The nozzles' shut-off valve has a stainless steel knife to open and close the port. You can transfer or load while agitating. An optional output shut-off valve allows faster pit agitation.



*(Shown with optional bottom flush nozzle.)*

**Tapered-bore drive pulley** mounts to a 1¼ inch (44.5 mm) drive shaft with a greaseable flange bearing at the top of the drive tube.

**Voluted design of the impeller housing and the curved blades** increase pumping efficiency.

**NEED A SMALLER OR LARGER PUMP?**  
**Ask for information on our full line of manure pumps.**



**CAUTION:** Never operate Patz equipment without all shields and guards in place. Safety is no accident. Before operating any piece of equipment, be sure to read and understand the operators manual. The manual should be kept with the machine at all times.

**Additionally, make sure all safety shields and devices are functioning properly and are securely in place.**



*For some photos in this brochure, guards were removed for photographic purposes only to allow viewing of the equipment features. Before operating equipment, all guards must be in place. Because Patz continually improves and updates products, Patz reserves the right to change the construction of machines or attachments or any part thereof without incurring any obligation to make like changes on Patz machines, or attachments previously delivered.*

*Specifications and prices subject to change without notice.*

**Proven Performance You Can Count On!**

**Patz Corporation**

**917 Business 141, POB 7 • Pound, Wisconsin 54161-0007**

**Ph: (920) 897-2251 • Fax: (920) 897-2142**

**www.patzcorp.com • info@patzcorp.com**

**Patz**®

**Since 1948**



# Vertical Pit Pumps



Since 1948

**Agitate FAST, Transfer FAST, Load FAST**



All Stainless Steel hardware below liquid line.



**PTO Driven**

**Electric Motor Driven**



**MANURE SOLUTIONS**  
[www.patzcorp.com](http://www.patzcorp.com)

**FLEXIBLE PAYMENT  
PLANS AVAILABLE.  
ASK FOR DETAILS.**





# 6000, 8000, & 8000 High Performance

Built strong - easy to use - delivering powerful results!

## PTO Drive Vertical Pit Pumps



The single or dual agitation nozzles flex 5 degrees above to 35 degrees below horizontal. The knife style can be shifted with the PTO speed at idle.



A 3-quart oil reservoir makes it easy to monitor oil level in the bearing pack.



- Easily insert pump into pit because it is articulated on two-point hitch. Enjoy the convenience of all-hydraulic controls or choose manual controls.
- Choose from two pump mounting options for agitating below-ground liquid-manure storage pit and for loading liquid-manure spreader:
  1. Stationary base secured to manure pit or
  2. Two-point tractor hitch with hydraulics for tilting (540 or 1,000 RPM).
- Match your pit depth with choice of four pump lengths: 6, 8, 10 and 12 feet (1.83, 2.44, 3.05, and 3.66 m). Large U-bolts allow the frame to be adjusted up or down for precise placement.
- Match your desired speed of transfer and loading with two pump sizes: 6-inch (152 mm) and 8-inch (203 mm).
- Reduce agitation time with dual nozzles that blend crusted manure and settled solids into a liquid slurry fast.
- Get better pit clean-out from agitating every corner by adjusting nozzles (rotating 270° and raising/lowering 20°).

- Choose basic pump or add optional agitation (for pits with no crusting or settled solids).
- Efficient curved impeller blades in a voluted housing save time agitating, transferring, and loading. High-volume pump [up to 3,500 gallons (13,249 liters) per minute]. Transfer or load while agitating.
- Impeller, impeller housing, and shear plate come standard in AR400 abrasion-resisting steel for longer life.
- Get high load-carrying capacity and long service life from tapered roller bearings in oil bath chamber protected by three seals.
- The loading pipe is 20 feet long (6.1 m) and includes a wheeled undercarriage.
- Reduce maintenance costs and get long service life from heavy-duty gearbox.
- Tractor Requirements: 6000 & 8000, 100 HP minimum; 8000 High Performance, 140 HP minimum.

**High Performance now available!**

Ask for more information about remote agitation/storage systems.

# 6000 E

High-volume pumping & long service life!

## Electric Drive Vertical Pit Pump



Unique plumbing system eliminates need to enter pit. Ask your dealer for details.



Easily insert pump into pit with user friendly manual riser pipe slide & tilt mount kit.

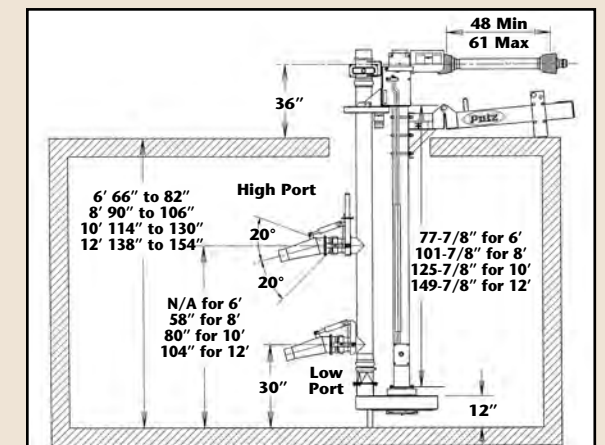
- A stationary base secured to manure pit is standard on the 6000 E Pump.
- Equipped with choice of two-point tractor hitch for easy insertion and removal from pit for service or manual slide and tilt.
- Match your pit depth with choice of 6, 8, 10, and 12 foot lengths (1.83, 2.44, 3.05, and 3.66 m). Large U-bolts allow the frame to be adjusted up or down for precise placement.
- Get better pit clean-out with optional agitation (nozzle can be rotated horizontally).
- Choose basic pump or add optional agitation (for pits with no crusting or settled solids).
- Efficient curved impeller blades in a voluted housing save time agitating, transferring, and loading. High-volume pump up to 3,000 gallons (11,356 liters) per minute during agitation and 2,200 gallons (8,328 liters) per minute during loading.
- Impeller, impeller housing, and shear plate come standard in AR400 abrasion-resisting steel for longer life.

Ask for more information about remote agitation/storage systems.



Twin motor belt drive system is easier on the upper drive shaft and bearings. (Guard removed for photo.)

- Get high load-carrying capacity and long service life from tapered roller bearings in oil bath chamber protected by three seals.
- End guessing about oil level. Inspect oil level conveniently in transparent reservoir with dipstick at top of pump.
- Horsepower Requirements: Twin 15, 20, 25, or 30 HP, 3-phase motors.





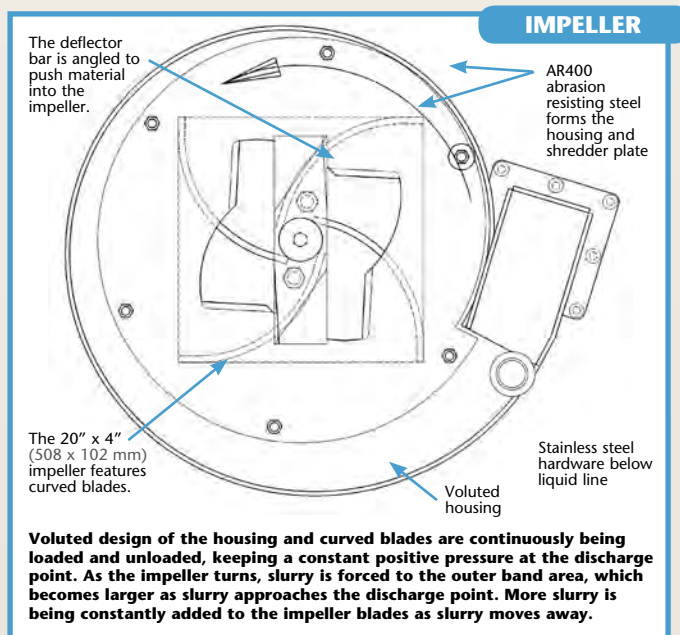
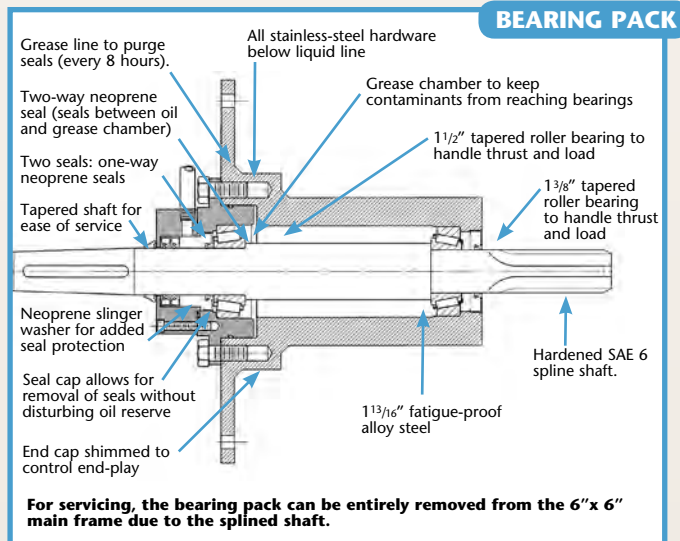
SPECIFICATIONS & Features		6000E	6000	8000	8000 HP
<b>Maximum Recommended Distance From Pit To Storage</b>	300 ft. of 6-inch PVC pipe.	■	■		
	350 ft. of 8-inch PVC pipe.			■	■
<b>Minimum Tractor HP Requirements</b>	100 HP	N/A	■	■	
	140 HP	N/A			■
<b>Motor HP Requirements</b>	Twin 15, 20, 25, or 30 HP 3-phase	■	N/A	N/A	N/A
<b>Mounting</b>	<b>PTO Drive:</b> 2-point hitch with hydraulics for tilting.		■	■	■
	<b>Electric Drive:</b> 2-point hitch with hydraulics used for removal for servicing.	■			
	<b>Electric Drive:</b> Slide & Tilt.	■			
<b>Pump Lengths</b>	6, 8, 10, and 12 feet (measured from the top of the pit cover to the pit floor).	■	■	■	■
<b>Pump Capacity (Loading)</b> (varies with moisture content)	Up to 2,200 gal./min.	■			
	Up to 2,500 gal./min.		■		
	Up to 3,000 gal./min.			■	
	Up to 3,500 gal./min.				■
<b>Pump Capacity (Agitation)</b> (varies with moisture content) and nozzle size	Up to 3,000 gal./min.	■	■		
	Up to 3,500 gal./min.			■	
	Up to 4,000 gal./min.				■
<b>RPMs</b>	540 or 1000	N/A	■	■	■
<b>Valves Function-ability</b>	Shift at idle speed.		■	■	■
	On the go shift.	■			
<b>Agitation</b>	Optional agitation.	■	■	■	■
	Optional dual-level agitation and dual elevation control.		■	■	■

**Contact your local Patz Dealer for more information.**



**Proven Performance You Can Count On!**  
**Patz Corporation**  
 917 Business 141, POB 7 • Pound, Wisconsin 54161-0007  
 Ph: (920) 897-2251 • Fax: (920) 897-2142  
 www.patzcorp.com • info@patzcorp.com

PA-19077 Rev. 4/14 ©2002-2017 Patz Corporation Printed in U.S.A.



**CAUTION:** Never operate Patz equipment without all shields and guards in place. Safety is no accident. Before operating any piece of equipment, be sure to read and understand the operator's manual. This manual should be kept with the machine at all times. Additionally, make sure all safety shields and devices are functioning properly and are securely in place.

For some photos in this brochure, guards were removed for photographic purposes only to allow viewing of the equipment features. Before operating equipment, all guards must be in place. Because Patz continually improves and updates products, Patz reserves the right to change the construction of machines or attachments or any part thereof without incurring any obligation to make like changes on Patz machines, or attachments previously delivered. Specifications and prices subject to change without notice.

