



Husky Farm Equipment Limited

7440 Wellington Rd. 17, R. R. # 2, Alma, On N0B 1A0
Phone 519-846-5329 Fax 519-846-9378 Toll Free 1-800-349-1122
husky@huskyfarm.ca www.huskyfarm.ca



7000L Vacuum

1800 US Gal., 1500 CDN Gal., 7000 Litres

- 1/4" (6.35 mm) tank shell high strength steel
- 1/4" Tank ends flanged and dished
- Full Baffle welded inside and out
- Sight gauge standard front drivers side
- Walking tandem axle 5 year warranty
- U shaped sills with full length support
- Light kit (brake & tail) standard
- Tongue 73 inches 4"x 8" x 1/4" tubing
- 24" rear access hatch , 6" hydraulic discharge
- 6" manual side valve
- 15 feet 6" suction hose with Bauer ends
- Primary and secondary moisture trap with 6" stainless ball
- 3" (75 MM) air intake and outlet lines
- 10 Year rust out warranty
- High speed vacuum pumps air cooled
- High heat vanes / air cooled / 540/ 1000
- C V PTO standard

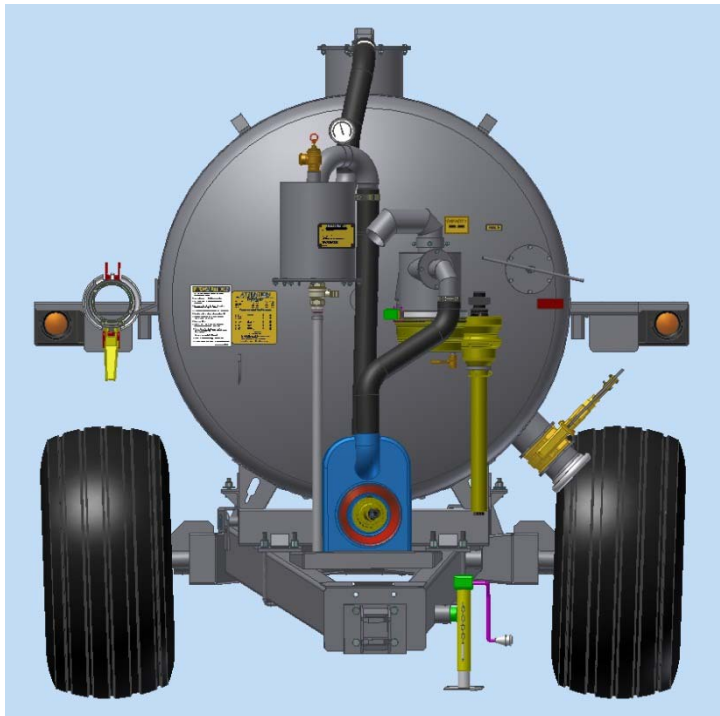
PAINT

The tank is steam cleaned with phosphate blown dry and heated
Primed with an epoxy primer and finished with two coats of Urethane
Inside is cleaned and painted with aluminized epoxy



Options For Your Husky Tank

- Hydraulic lid
- Vacuum pumps 6 sizes to choose from
- 30" Domed manhole
- Hydraulic drive



All Figures Are Approximate, Limited Warranty (3Months For Custom Operators), No Warranty On Sand Bedding.
For Full Details and Exact Figures, Please Confirm With Husky. 1-800-349-1122