

600 Series Stationary Single Screw Vertical Mixers



Since 1948

Make the most of your mix with this compact, low profile unit!

Tru Taper™ screw mixes quickly without compromising feed quality!

Choice of options to customize your mixer!

ASABE® compliant safety guard included.

5 Year Pro-rated Planetary Gearbox Warranty



- **Simple design engineered with few moving parts for performance you can count on.**
- **Low profile unit, less than 87 inches high. Compact foot print.**
- **Choice of 185–235 cu. ft. (5.2–6.6 m³) mixing capacities.**
- **State-of-the-art 3-point weigh system for ration accuracy, with a wide variety of ingredients.**
- **Discharge onto conveyors to fill carts and bins.**
- **Manufactured by Patz Corporation, a Wisconsin-based, family-owned company.**

SEEING IS BELIEVING!

Ask your local Patz Dealer about the Proven Performance of Patz Vertical Mixers!

FEEDINGSOLUTIONS
www.patzcorp.com

FLEXIBLE PAYMENT PLANS AVAILABLE. ASK FOR DETAILS.

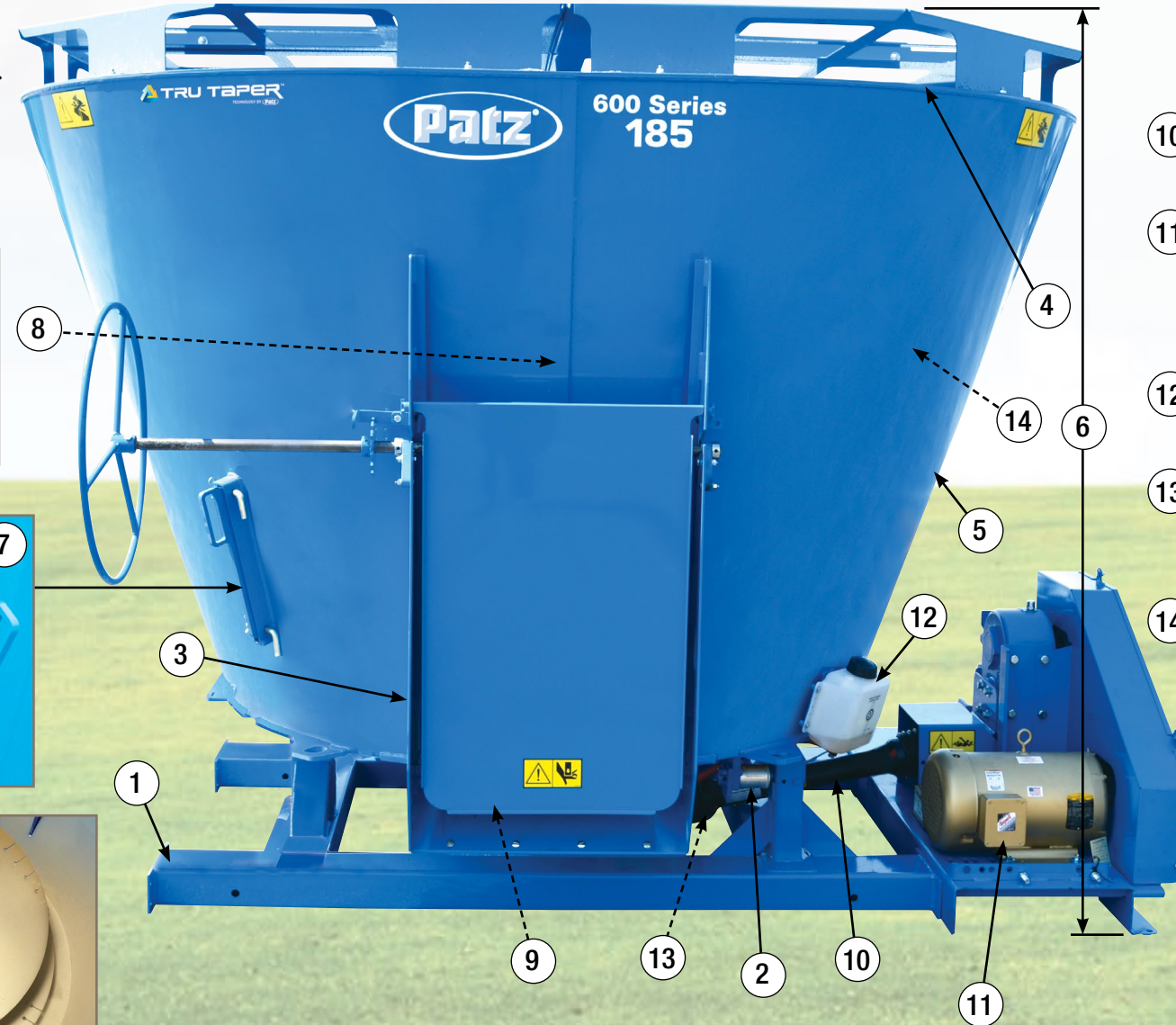
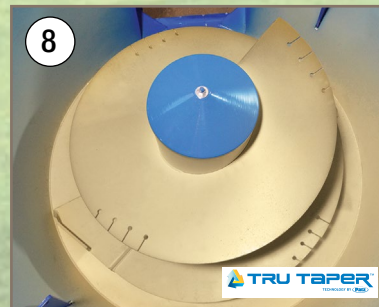


Engineered with Simplicity and Strength for Superior Performance You Can Count On!

Standard features of the Patz 600 Series Single Screw Vertical Mixer.

Every Patz Mixer is individually built and customized to meet and exceed your needs.

- 1 **Rectangular base with offset leg design** provides installation flexibility. Mount drive package on front or rear of mixer base.
- 2 **3-point electronic weighing system** uses 2-1/8" ND diameter weigh bars for accurate, reliable ingredients weighing.
- 3 Factory-installed **side doors** available on right side, left side, or both. Choose hydraulic or manual operation when ordering. Side discharge door opening is 24" (610 mm) wide by 31" (787 mm) high (Manual door shown).
- 4 **Reinforced top ring** with 3/8" (9.5 mm) steel provides extra strength and protection from damage while loading! Laser cut holes align top safety guard and 7ga steel side extensions.
- 5 **Overlapping sidewalls** 1/4" (6 mm) steel.
- 6 **185 unit** only 86-7/8" high (2.2 m).
- 7 Control particle size (length) and feed flow with two adjustable **restrictor plates**. Fine-tune ration with 4 pre-sets or invert on top-bottom pivot points.
- 8 High performance **Tru Taper™ screw** with 1/2" (13 mm) fluting and laser pre-cut knife positions. Cone Top with dual kicker screw design features sturdy 16" (406 mm) diameter center tube.



- 9 **5-year pro-rated planetary gearbox warranty.** Planetary breather is routed through the bottom plate for easier maintenance and access.
- 10 **Telescoping (collapsible) driveline** with shear bolt protection and improved service accessibility.
- 11 **Drive Package options** include single or twin motor mounts; 2-speed (high-low) stop-and-shift transmission; Variable Frequency Drive (VFD) with control panel featuring 3-forward speeds, boost, and reverse; or 1000 RPM direct drive.
- 12 Monitor planetary with **oil reservoir** featuring front-view fluid level indicator and in-cap dipstick.
- 13 **Vibration-activated hour meter** monitors mixer's actual hours of operation for preventive maintenance.
- 14 **Black plastic manual box** conveniently preserves manuals for immediate reference at all times.



Choose From These Customization Options To Meet Your Needs:

- Patented RAPTOR™ knives
- Hardened tungsten/carbide knives
- Patent Pending tub mounted magnet
- Discharge chute magnet options
- Wide selection of indicators/scales
- Tub Liners
- Ladder
- VFD Drive package

See Specifications page for additional options.

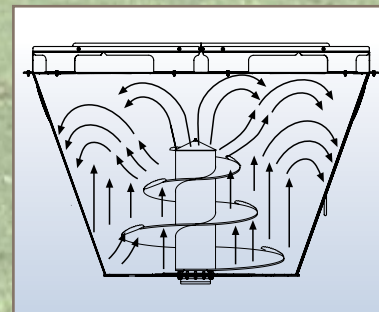
34" (864 mm) Tru Taper™ screw accepts up to (4) knives: 21-1/2" or 12" hardened Tungsten/Carbide, 4-1/4" or 4-3/4" RAPTOR™ knives.

44" (1118 mm) Tru Taper™ screw accepts up to (5) knives: 21-1/2" or 12" hardened Tungsten/Carbide, 4-1/4" or 4-3/4" RAPTOR™ knives.

Watch
"Proven Performance
for a Variety of
Applications"



Uniquely designed Cone Top steel screw provides quick, thorough mixing, even discharge, and superior cleanout.



Perfect for a variety of applications!



Dairy, Heifer, & Dry Cow



Beef Cow-Calf, Stocker/Background, & Finishing (Feedlot)



Sheep and Goats



Organic Fertilizer



Organic Waste



600 Series Stationary Vertical Mixer Specifications

The name customers have entrusted for material handling solutions since 1948!

| | U/M | 185 |
|--|-----------------------------------|---|
| CAPACITY | | |
| Mixing | ft ³ (m ³) | 185 (5.2) |
| w/Optional Extension | ft ³ (m ³) | 235 (6.6) |
| UNIT | | |
| Empty Wt. | lb (kg) | 5,517 (2503) |
| Max. Load @ 25lb./cu.ft. | lb (kg) | 4,625 (2102) |
| Max. Load @ 25lb./cu.ft. w/12 in. Ext. | lb (kg) | 5,875 (2670) |
| Max. Gross Wt. | lb (kg) | 11,392 (5167) |
| No. of Screws (See Options below) | | 1 |
| Overall Length | in (m) | 120 (3.0) |
| Overall Height | in (m) | 86 7/8 (2.2) |
| Overall Height w/12 in. Ext. | in (m) | 98 7/8 (2.5) |
| Overall Width | in (m) | 88 7/8 (2.3) |
| Screw Flighting Thickness | in (mm) | 1/2 (13) |
| Floor Thickness | in (mm) | 1/2 (13) |
| Sidewall Thickness | in (mm) | 1/4 (6) |
| Horsepower Requirements | | (1) 10 HP or (2) 7½ or (2) 10 HP or (1) 15 HP or (1) 20 HP (1) 25 HP or (1) 30 HP |
| Restrictors | | 2 |
| Hour Meter | | Std. |
| Scale System | | 3-Point |
| DOOR OPENINGS | | |
| Height | in (mm) | 31 (787) |
| Width | in (mm) | 24 (610) |
| Location | | Right Side, Left Side, or Both |
| OPTIONS | | |
| Tru Taper™ Vertical Mixer Screw Cone Top Dual Kicker (not included in basic unit) | | Choose One Size Screw for Your Mixing Needs 34"H or 44"H |
| Maximum No. of Knives‡ | | 4 (34"H), 5 (44"H) |
| Manual or Electric Door Control | | Right Side or Left Side |
| Discharge Chute with or without Magnet | | Opt. |
| Tub Mounted Magnet+ | | Opt. |
| Wide Selection of Indicators | | dinamica generale®, Weigh-Tronix®, & Digi-Star® |
| Ladder | | Opt. |
| Variable Frequency Drive Pkg. (VFD) | | Opt. |

‡ Quantity varies with material in ration and processing time.
+ Patent Pending.

Options include:

DIG IN with the RAPTOR™*!



Engineered to complement our standard knives, this AR knife features a forward-facing design to dig in, hook, and slice bales faster and more aggressively!

2 Sizes Available!



PROTECT WHAT MATTERS with a Tub Mounted Magnet*!

Exclusive to Patz!

Encased in stainless steel, this magnet is only mounted into the Patz Vertical Mixer tub wall on a hinged assembly for effective removal of tramp metal from rations.



Actual tramp metal removed from magnet.

*Patent Pending

This mixer is designed to handle a variety of feedstuffs based on an estimated 25 lbs. per cubic foot. Do not exceed stated maximum load. Contact Patz for applications requiring heavier materials. Specifications and prices subject to change without notice.

Proven Performance you can count on!



CAUTION: Never operate Patz equipment without all shields and guards in place. **Safety Is No Accident.** Before operating any piece of equipment, be sure to read and understand the operator's manual. This manual should be kept with the machine at all times. Additionally, make sure all safety shields and devices are functioning properly and are securely in place. Specifications and prices subject to change without notice.