

400 Series II Stationary Single Screw Vertical Mixers



Since 1948

An affordable, flexible solution for your operation!

- **Reliable, 3-point scale system accurately measures ingredients.**
- **Tru Taper™ Cone Top Screw mixes quickly, without compromising feed quality!**
- **Thorough, consistent batch from start to finish, regardless of batch size.**
- **Two sizes available, offering 140-240 cu. ft. (3.9-6.8 m³) of mixing capacity!**

Experience time, labor, & material savings!



Unit includes top guard which meets ASABE® safety standards.

Choice of options to customize your mixer!

5 Year Pro-rated Planetary Gearbox Warranty

- **Discharge onto conveyors to fill carts and bins.**
- **Compact size – fits most feed rooms and tight spaces.**
- **Built tough with few moving parts for performance you can count on.**
- **A variety of drive packages, horsepower, and knife options to choose from.**
- **Manufactured by Patz Corporation, a Wisconsin-based, family-owned company.**

SEEING IS BELIEVING!

Ask your local Patz Dealer about the Proven Performance of Patz Vertical Mixers!

FEEDINGSOLUTIONS
www.patzcorp.com

FLEXIBLE PAYMENT PLANS AVAILABLE. ASK FOR DETAILS.

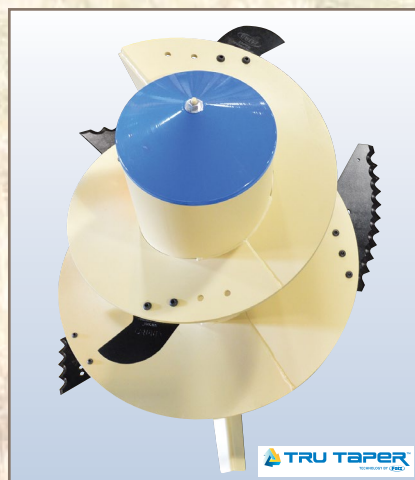
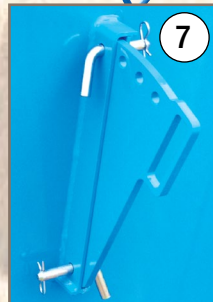


Designed with your operation in mind!

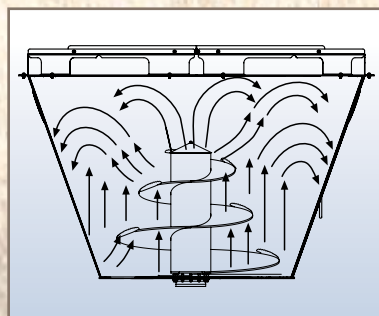
Standard features of the Patz 400 Series II Single Screw Vertical Mixer.

Patz Vertical Mixers provide a true, consistent mix everytime!

- 1 **Rectangular base with offset leg design** provides layout flexibility. Mount drive package on front or back of mixer base.
- 2 **3-point electronic scale system** uses 1-3/4" diameter weigh bars for accurate, reliable weighing of ingredients.
- 3 Factory-installed **side doors** available on right side, left side, or both. Choose electric or manual operation when ordering (Manual door shown). Side discharge door opening is 24" (610 mm) wide by 31" (787 mm) high.
- 4 **Top ring** is reinforced with 3/8" (9.5 mm) thick steel to provide extra strength and to protect from damage while loading! Laser cut holes for top safety guard and steel 7ga side extensions.
- 5 **Sidewalls** are constructed of 1/4" (6 mm) steel, overlapped at seams for strength.
- 6 **Low Profile units:** 140 cu. ft. unit only 86-7/8" high (2.2 m), 200 cu. ft. unit is 100-3/8" high (2.55m).
- 7 **Restrictors** are located on front left and right rear of tub. Adjust in or out as desired or use high or low pivot to control the flow of forages inside. Longer forages can be processed faster by setting restrictors farther in.
- 8 **Tru Taper™ screw** with 1/2" (13 mm) thick flighting. Laser cut holes for knives. Cone Top with dual kicker steel screw design increases discharge output and speeds up cleanout. Screw features 16" (406 mm) diameter center tube cone-top design providing a sturdy screw center.



See picture above for suggested knife placement. Consult your Patz Dealer for what is best for your mixing needs.



Uniquely designed **Tru Taper™** steel screw provides quick, thorough mixing and even discharge of ration.



- 9 **5-year pro-rated planetary gearbox warranty.** Planetary breather is routed through the bottom plate for easier maintenance and access.
- 10 **Driveline** is telescoping (collapsible) with shear bolt protection and very accessible for maintenance/service.
- 11 **Drive Package options** include single or twin motor mounts; 2-speed (high-low) stop-and-shift transmission; Variable Frequency Drive (VFD) with control panel featuring 3-forward speeds, boost, and reverse; or 1000 RPM direct drive.
- 12 **Only one oil reservoir** is needed to view oil level in the entire planetary unit.
- 13 **Vibration-activated hour meter** monitors mixer's actual hours of operation for preventive maintenance purposes.
- 14 **Black plastic manual box** conveniently preserves manuals for immediate reference at all times.



Choose From These Customization Options:

- Patented **RAPTOR™** knives
- Hardened tungsten/carbide knives
- Patent Pending tub mounted magnet
- Discharge chute with or without magnet
- Wide selection of indicators/scales
- Tub Liners
- Ladder
- VFD Drives with operator station

See Specifications page for additional options.

Perfect for a variety of applications!



Dairy, Heifer, & Dry Cow



Beef Cow-Calf, Stocker/Background, & Finishing (Feedlot)



Sheep and Goats



Organic Fertilizer



Organic Waste



400 Series II Stationary Single Screw Vertical Mixer Specifications

The name customers have entrusted for material handling solutions since 1948!

	U/M	140	200
CAPACITY			
Mixing	ft ³ (m ³)	140 (3.9)	200 (5.7)
w/Optional Extension	ft ³ (m ³)	180 (5.0)	240 (6.8)
UNIT			
Empty Wt.	lb (kg)	4,184 (1,898)	4,575 (2,075)
Max. Load @ 25lb./cu.ft.	lb (kg)	3,500 (1,588)	5,000 (2,268)
Max. Load @ 25lb./cu.ft. w/9 in. Ext.	lb (kg)	4,500 (2,045)	6,000 (2,722)
Max. Gross Wt.	lb (kg)	8,684 (3,943)	10,575 (4,797)
No. of Screws (See Options below)		1	1
Overall Length	in (m)	118 1/2 (3.0)	118 1/2 (3.0)
Overall Height	in (m)	86 5/8 (2.2)	100 1/8 (2.5)
Overall Height w/9 in. Ext.	in (m)	95 5/8 (2.4)	109 1/8 (2.8)
Overall Width	in (m)	88 1/2 (2.2)	88 1/2 (2.2)
Screw Flighting Thickness	in (mm)	1/2 (13)	1/2 (13)
Floor Thickness	in (mm)	1/2 (13)	1/2 (13)
Sidewall Thickness	in (mm)	1/4 (6)	1/4 (6)
Horsepower Requirements		(1) 10 HP or (2) 7½ or (2) 10 HP or (1) 15 HP or (1) 20 HP (1) 25 HP or (1) 30 HP	
Hour Meter		Std.	Std.
Scale System		3-Point	3-Point
DOOR OPENINGS			
Height	in (mm)	31 (787)	31 (787)
Width	in (mm)	24 (610)	24 (610)
Location		R.H., L.H., or Both	
OPTIONS			
Tru Taper™ Vertical Mixer Screw Cone Top with Dual Kicker (not included in basic unit)		Choose One Size Screw for Your Mixing Needs	
Maximum No. of Knives+		4	5
Manual or Electric Door Control		R.H. or L.H.	R.H. or L.H.
Discharge Chute with or without Magnet		Opt.	Opt.
Tub Mounted Magnet‡		Opt.	Opt.
Wide Selection of Indicators		dinamica generale®, Weigh-Tronix®, & Digi-Star®	
Ladder		Opt.	Opt.
Restrictors		2	2
Variable Frequency Drive Pkg. (VFD)		Opt.	Opt.

‡ Quantity varies with material in ration and processing time.

+ Patent Pending.

Options include:

DIG IN with the RAPTOR™*!



Engineered to complement our standard knives, this AR knife features a forward-facing design to dig in, hook, and cut bales faster and more aggressively!

2 Sizes Available!



PROTECT WHAT MATTERS with a Tub Mounted Magnet*!

Exclusive to Patz!

Encased in stainless steel, this exclusive magnet is mounted into the Patz Vertical Mixer tub wall on a hinged assembly for effective removal of tramp metal from rations.

*Patent Pending

Actual tramp metal removed from magnet.

This mixer is designed to handle a variety of feedstuffs based on an estimated 25 lbs. per cubic foot. Do not exceed stated maximum load. Contact Patz for applications requiring heavier materials. Specifications and prices subject to change without notice.

Proven Performance you can count on!



CAUTION: Never operate Patz equipment without all shields and guards in place. **Safety Is No Accident.** Before operating any piece of equipment, be sure to read and understand the operator's manual. This manual should be kept with the machine at all times. Additionally, make sure all safety shields and devices are functioning properly and are securely in place. Specifications and prices subject to change without notice.

Watch online



mixer video!