

# Ultra-Veyor

WITH **Smart-Flo**

Ultra-Veyor

WALINGA

# WALINGA

INC.

**TOUGH TO BEAT IN THE LONG RUN**





INDUSTRIAL ULTRA-VEYOR

The Walinga ULTRA-VEYOR is the ultimate system for your bulk transferring needs. This push system moves bulk by air, maximizing accessibility for any handling or storage facility. Move your bulk safely without potentially dangerous augers or airborne particulates and dust. ULTRA-VEYOR systems are remarkably efficient and easily maintained with all moving components and service points located on the base unit. The system is usually installed semi-permanently wherever it's needed, but needs can change. Integrated forklift lift points make base unit relocations a breeze.

Walinga ULTRA-VEYORs handle the requirements of most operations with models ranging from 10+ tonnes/hr to 75+ tonnes/hr. Ultra-Veyor Systems are flexible, expandable and easy to install.

*Ask any WALINGA customer and they'll tell you "Invest in a WALINGA, the shop hand you can trust!"*



614 Blower Package

**614**  
SOUND REDUCTION TYPE  
**SRT BLOWER**  
\*Check blower oil level prior to use  
\*Change oil annually or every 100 hrs.  
**WALINGA®**

ALL ULTRA-VEYOR INSTALLATIONS ARE UNIQUE

Do it yourself or ask the experts! Walinga is there to support you. Whether a retrofit or new installation, Walinga offers all the options imaginable to improve your bulk reclamation or transfer needs. It doesn't stop there, don't be afraid to ask for what you don't see, our CAD manufacturing process facilities prompt one-off solutions.

IT'S ALL IN THE DETAILS

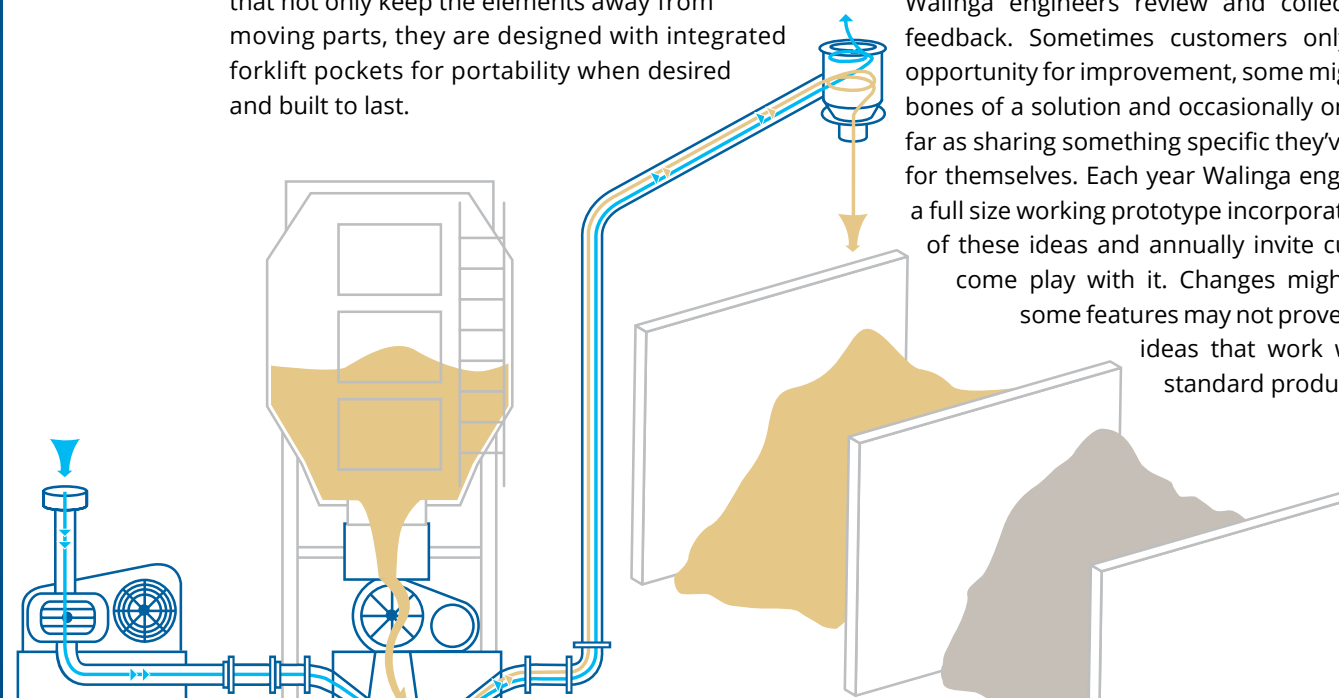
Details like welded heavy-duty steel platforms that not only keep the elements away from moving parts, they are designed with integrated forklift pockets for portability when desired and built to last.

LEADERS IN PNEUMATIC CONVEYING SYSTEMS

Walinga products are ripe with innovative solutions. When you engage with Walinga, your relationship extends beyond the simple purchase of a Walinga product. Walinga not only listens to their customers, they engage in conversation.

DID YOU KNOW?

Many standard features start out as customer initiated design projects. Throughout the year Walinga engineers review and collect customer feedback. Sometimes customers only outline an opportunity for improvement, some might offer the bones of a solution and occasionally one will go as far as sharing something specific they've fabricated for themselves. Each year Walinga engineers build a full size working prototype incorporating the best of these ideas and annually invite customers to come play with it. Changes might be made, some features may not prove worthy, but ideas that work will become standard production items.



ACCESSORIES

**Smart-Flo™**  
Automatic Air Speed Controller

**Muffler / Silencer**

**Piping Accessories**

**Weather Proof Bin Cyclone**

**Large Radius Heavy Duty Elbows**

**Airlock Outlet Adapter**

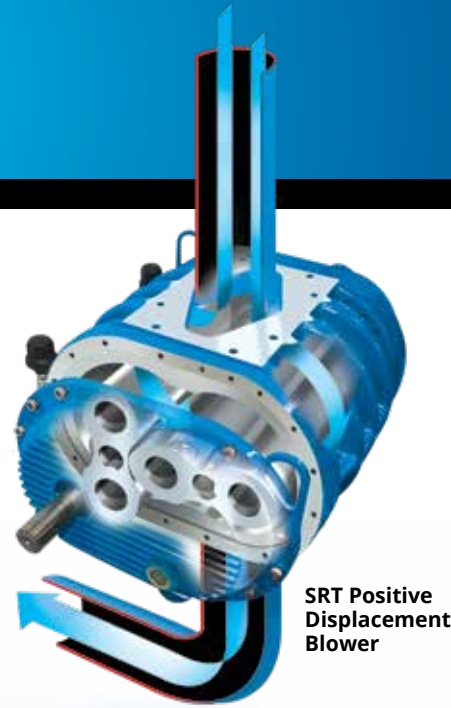


## WALINGA SUPER HARDENED COATING SRT BLOWER

Experienced in the manufacturing of feed and grain handling equipment, Walinga is first for quality. Walinga blowers are fabricated from special alloy castings that facilitate hardening. Walinga's proprietary Super Hardened Coating process out-performs chrome hardened finishes. The process eliminates premature wear from abrasive dust, ensuring a much longer life than unhardened blowers.



614 Blower Package

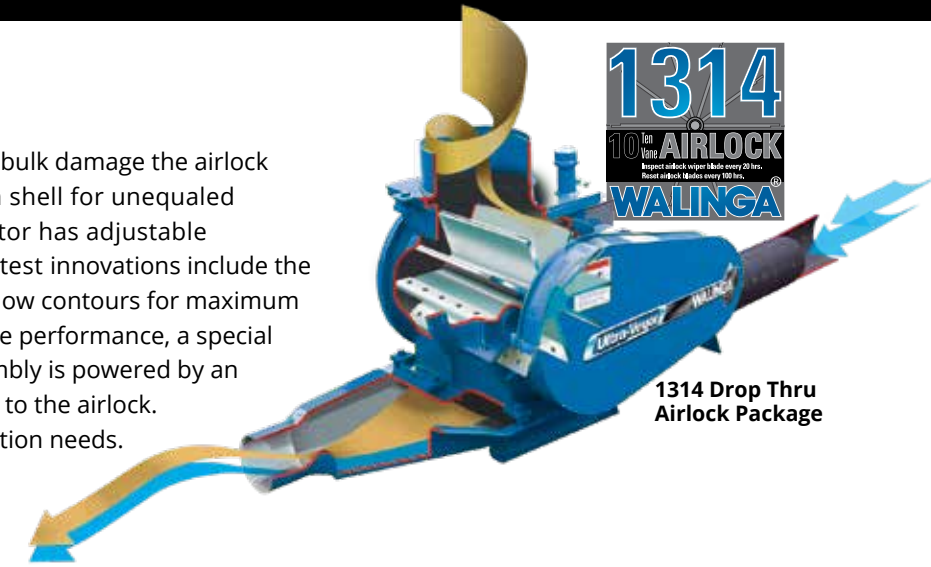


SRT Positive Displacement Blower



## THE WALINGA DROP THRU AIRLOCK

Designed for maximum efficiency and minimal bulk damage the airlock housing is precision machined from a cast iron shell for unequaled performance. The 10 vane fabricated steel rotor has adjustable stainless steel tips for longer life. Walinga's latest innovations include the modification of the inlet and outlet ports with flow contours for maximum capacity. To minimize bulk damage and improve performance, a special rotor wiper levels the pockets. The entire assembly is powered by an electric gear box. A chain drive transfers power to the airlock. Each system can be customized to your production needs.

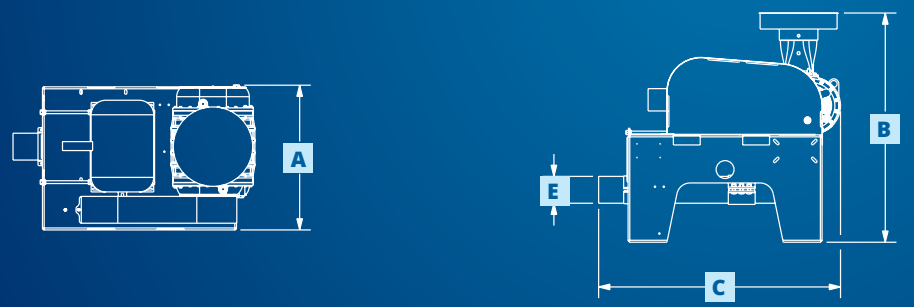
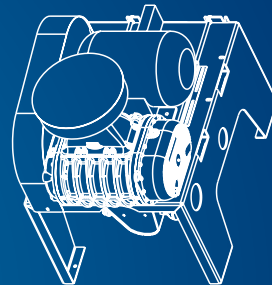


1314 Drop Thru Airlock Package



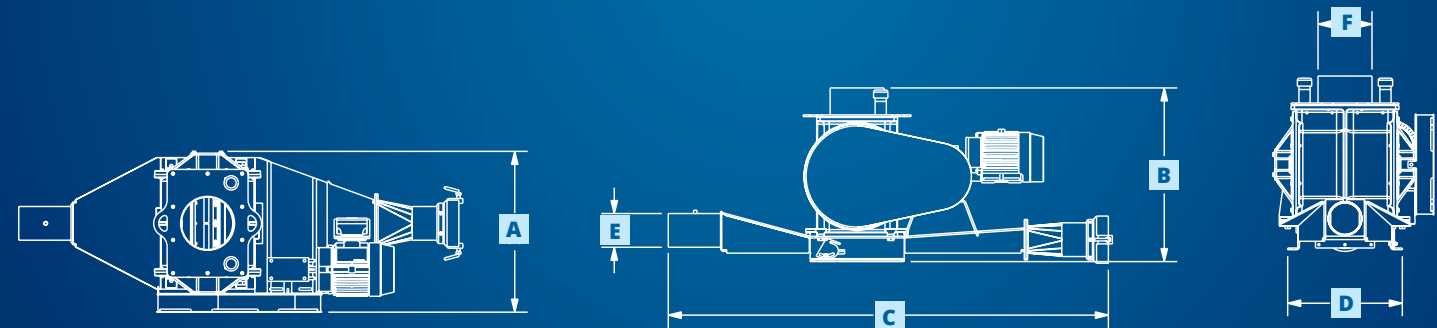
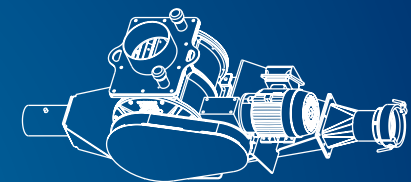
### Blower Package WEIGHT & DIMENSIONAL SPECIFICATIONS

MODEL	A	B	C	D	E	WEIGHT
506 (3")	31 - 1/2"	34 - 3/4"	53 - 1/8"	31 - 1/2"	3"	551 lbs
506 (4")	31 - 1/2"	34 - 3/4"	53 - 1/8"	31 - 1/2"	4"	551 lbs
510 (4")	31 - 1/2"	34 - 3/4"	53 - 1/8"	31 - 1/2"	4"	673 lbs
510 (5")	31 - 1/2"	34 - 3/4"	53 - 1/8"	31 - 1/2"	5"	673 lbs
614 (5")	32 - 3/8"	51 - 1/4"	54"	32"	5"	965 lbs
614 (6")	32 - 3/8"	51 - 1/4"	54"	32"	6"	965 lbs
816 (7")	64"	59 - 1/4"	59"	64"	7"	2233 lbs
816 (8")	64"	59 - 1/4"	59"	64"	8"	2233 lbs



### Airlock Package WEIGHT & DIMENSIONAL SPECIFICATIONS

MODEL	A	B	C	D	E	F	WEIGHT
1210 (4")	22 - 1/16"	29 - 1/8"	34 - 1/2"	27"	4"	8"	450 lbs
1210 (5")	22 - 1/16"	29 - 1/8"	34 - 1/2"	27"	5"	8"	450 lbs
1314 (4")	23 - 3/4"	25 - 3/4"	65 - 1/4"	17"	4"	8"	660 lbs
1314 (5")	23 - 3/4"	25 - 3/4"	65 - 1/4"	17"	5"	8"	660 lbs
1618 (6")	28 - 1/2"	29 - 3/8"	79 - 1/2"	27"	6"	10"	940 lbs
2018 (7")	28 - 1/2"	29 - 3/8"	79 - 1/2"	27"	7"	10"	940 lbs







## BLOWER DISPLACEMENTS

Blower	Pressure	SPEED (RPM)																	
		1270		1550		1840		2120		2400		2690		2970		3250		3600	
		CFR	HP	CFR	HP	CFR	HP	CFR	HP	CFR	HP	CFR	HP	CFR	HP	CFR	HP	CFR	HP
506	3	0.152	2.7	0.162	3.6	0.168	4.4	0.173	5.2	0.177	6.0	0.180	6.9	0.182	7.7	0.184	8.5	0.186	9.5
	6	0.131	5.5	0.144	7.1	0.153	8.8	0.160	10.4	0.165	12.1	0.169	13.8	0.173	15.4	0.175	17.0	0.178	19.0
	9	0.114	8.2	0.131	10.7	0.142	13.2	0.150	15.6	0.157	18.1	0.162	20.7	0.166	23.1	0.169	25.5	0.172	28.6
	12	0.101	11.0	0.119	14.3	0.133	17.6	0.142	20.9	0.149	24.2	0.155	27.5	0.160	30.7	0.164	34.0	0.167	38.1
	15	0.084	13.7	0.106	17.9	0.122	22.0	0.132	26.1	0.141	30.2	0.148	34.4	0.153	38.4	0.157	42.5	0.162	47.6
510	3	0.246	4.4	0.263	5.8	0.275	7.2	0.283	8.5	0.290	9.9	0.296	11.3	0.300	12.7	0.303	14.0	0.306	15.7
	6	0.206	8.9	0.231	11.6	0.248	14.4	0.260	17.1	0.269	19.8	0.277	22.6	0.283	25.3	0.287	28.0	0.292	31.3
	9	0.177	13.3	0.206	17.4	0.227	21.6	0.242	25.6	0.253	29.7	0.263	34.0	0.270	38.0	0.276	42.0	0.282	47.0
	12	0.152	17.7	0.185	23.2	0.210	28.8	0.227	34.1	0.240	39.6	0.251	45.3	0.259	50.7	0.266	56.0	0.273	62.7
	15	0.129	22.2	0.167	29.0	0.194	36.0	0.214	42.7	0.228	49.5	0.240	56.6	0.250	63.4	0.258	70.0	0.265	78.3
614	3	0.496	9.0	0.528	11.6	0.550	14.4	0.566	17.1	0.579	19.8	0.588	22.5	0.596	25.2				
	6	0.424	17.9	0.468	23.3	0.500	28.8	0.523	34.1	0.540	39.5	0.554	45.0	0.565	50.3				
	9	0.368	26.9	0.423	34.9	0.462	43.2	0.490	51.2	0.511	59.3	0.528	67.5	0.542	75.5				
	12	0.321	35.8	0.385	46.6	0.430	57.6	0.462	68.3	0.486	79.0	0.506	90.0	0.522	100.7				
	15	0.280	44.8	0.351	58.2	0.401	72.0	0.437	85.3	0.464	98.8	0.486	112.5	0.504	125.9				
816	3	1.025	18.5	1.095	24.1	1.145	30.0	1.180	35.6										
	6	0.866	37.0	0.964	48.3	1.035	59.9	1.084	71.1										
	9	0.744	55.5	0.864	72.4	0.950	89.9	1.011	106.7										
	12	0.641	74.0	0.780	96.5	0.879	119.8	0.949	142.3										
	15	0.550	92.6	0.705	120.7	0.816	149.8	0.895	177.9										

\*Due to continuous product development, specifications are subject to change without notice.

## CAPACITY SPECIFICATIONS

Capacity Chart: Ultra-Veyor Systems (BPH in dry corn)

	4510 1PC			4510			5510				5614			6614				
Tubing Size	4"			4"			5"				5"			6"				
Motor Size	10hp	15hp	20hp	10hp	15hp	20hp	15hp	20hp	30hp	40hp	30hp	40hp	50hp	40hp	50hp	60hp	75hp	
CONVEYING DISTANCE (ft)	100	500	550	650	600	700	800	750	100	1300	1600	1250	1675	1725	1800	1900	2100	2300
	200	425	468	553	510	595	680	638	850	1105	1360	1063	1424	1466	1530	1615	1785	1955
	300	361	397	470	434	506	578	542	723	939	1156	903	1210	1246	1301	1373	1517	1662
	400	307	338	399	368	430	491	461	614	798	983	768	1029	1059	1105	1167	1290	1412
	500	261	287	339	313	365	418	392	522	679	835	653	874	900	940	992	1096	1201

Capacity Chart: Ultra-Veyor Systems (TPH in dry corn)

	4510 1PC			4510			5510				5614			6614				
Tubing Size	4"			4"			5"				5"			6"				
Motor Size	10hp	15hp	20hp	10hp	15hp	20hp	15hp	20hp	30hp	40hp	30hp	40hp	50hp	40hp	50hp	60hp	75hp	
CONVEYING DISTANCE (ft)	100	12.7	14.0	16.5	15.2	17.8	20.3	19.1	25.4	33.0	40.6	31.8	42.5	43.8	45.7	48.3	53.3	58.4
	200	10.8	11.9	14.0	13.0	15.1	17.3	16.2	21.6	28.1	34.5	27.0	36.2	37.2	38.9	41.0	45.3	49.7
	300	9.2	10.1	11.9	11.0	12.9	14.7	13.8	18.4	23.9	29.4	22.9	30.7	31.7	33.0	34.9	38.5	42.2
	400	7.8	8.6	10.1	9.3	10.9	12.5	11.7	15.6	20.3	25.0	19.5	26.1	26.9	28.1	29.6	32.8	35.9
	500	6.6	7.3	8.6	8.0	9.3	10.6	10.0	13.3	17.2	21.2	16.6	22.2	22.9	23.9	25.2	27.8	30.5

\*Capacities based on moving dry corn approximately 100' (30.4m). Barometric pressure, humidity, and condition of product will affect capacity. Due to continuous product development, specifications are subject to change without notice. For systems that will be conveying spring wheat or soybeans, please deduct 30% from the maximum stated capacity

## Smart-Flo™

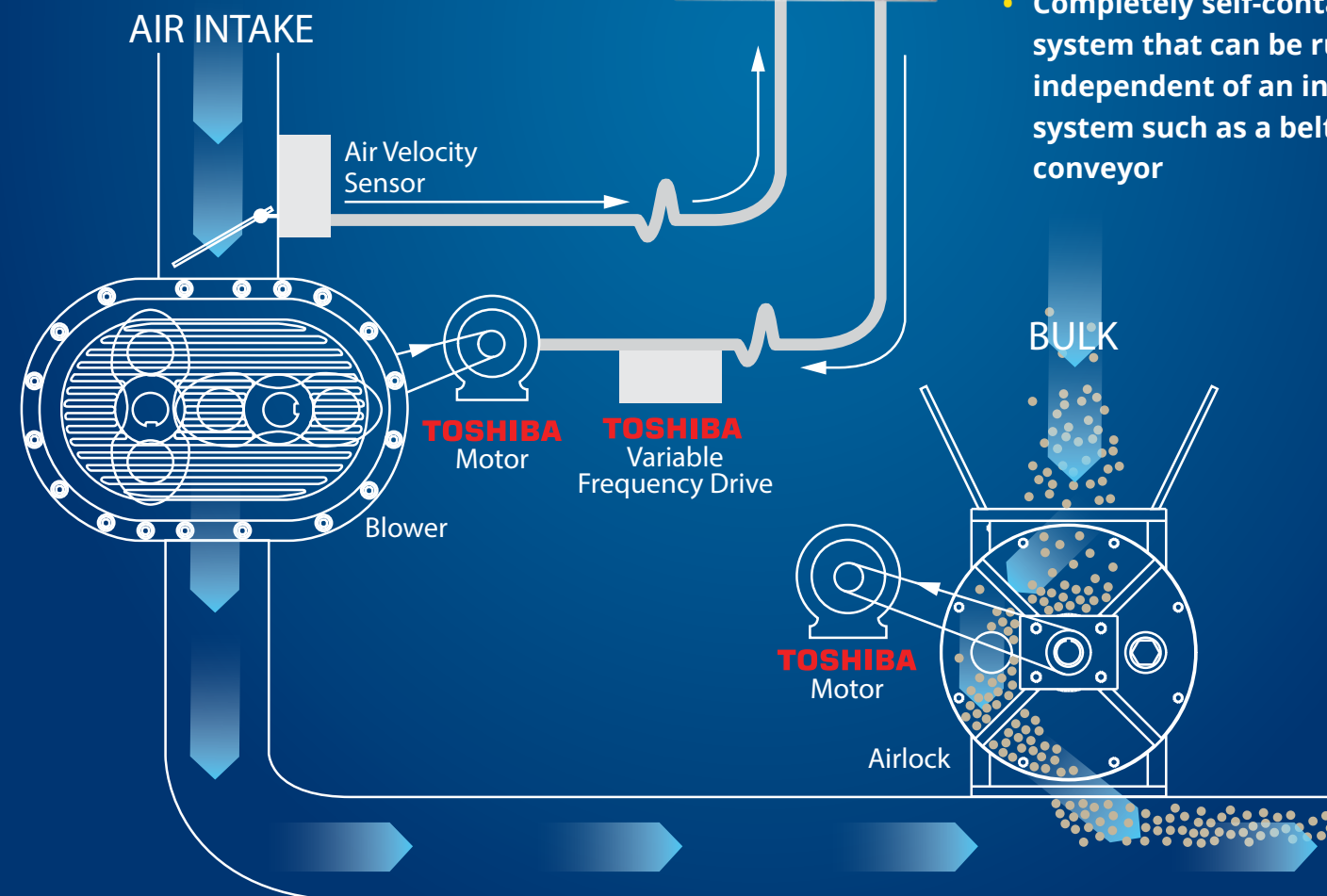
Smart-Flo™ Variable Frequency Drive Systems monitor and automatically adjust motor speeds, optimizing performance while reducing energy costs and bulk damage.

- Reduces product damage
- Equipped with a sensor and PLC that continually monitor the system, adjusting air speeds to maximize transfer capacity

### Smart-Flo™ Control Panel



- Automatically adjusts blower speeds to maintain bulk integrity and reduce energy costs
- Can be customized to be installed with any common programmable VFD
- Completely self-contained system that can be run independent of an input system such as a belt conveyor





# YOUR ULTRA-VEYOR GROWS AS YOU GROW

It's always nice to plan ahead and avoid expensive upgrades. The Walinga Ultra-Veyor system is so flexible, easy to install or retro-fit that you can add to your system as your business grows. Choose from an extensive selection of options and specifications to perfectly match your current business demands and keep those hard earned dollars in your pocket.

## SAFETY

The Ultra-Veyor moves bulk product virtually dust and damage free without the use of heavy augers or booms. Maintenance is performed easily at ground level with simple access to all filters, belts and lubrication points.



## ALL INCLUSIVE TWO YEAR WARRANTY

Walinga endeavors that new equipment be free from defects in material and workmanship. The warranty period is either two years from purchase or 500 hrs. of operation, whichever occurs first. Full terms and conditions are available from Walinga or your local Walinga dealer.

*Fertilizer Plant in Southwestern Ontario*



**WALINGA.COM**

**Head Office**

R.R. #5,  
Guelph, Ontario  
Canada N1H 6J2  
Tel: 519.824.8520  
Tel: 888.925.4642  
Fax: 519.824.5651

**Michigan**

1190 Electric Ave.  
Wayland, Michigan  
USA 49348  
Tel: 616.877.3470  
Tel: 800.466.1197  
Fax: 616.877.3474

**Manitoba**

70 3rd Ave. N.E.  
Box 1790  
Carman, Manitoba  
Canada R0G 0J0  
Tel: 204.745.2951  
Fax: 204.745.6309

**Ontario**

938 Glengarry Cres.  
Fergus, Ontario  
Canada N1M 2W6  
Tel: 519.787.VACS (8227)  
Fax: 519.787.8210

**Australia**

Customvac Australia  
24 Molloy St.  
Toowoomba Qld 4350  
Australia  
Tel: 1800 242 699

