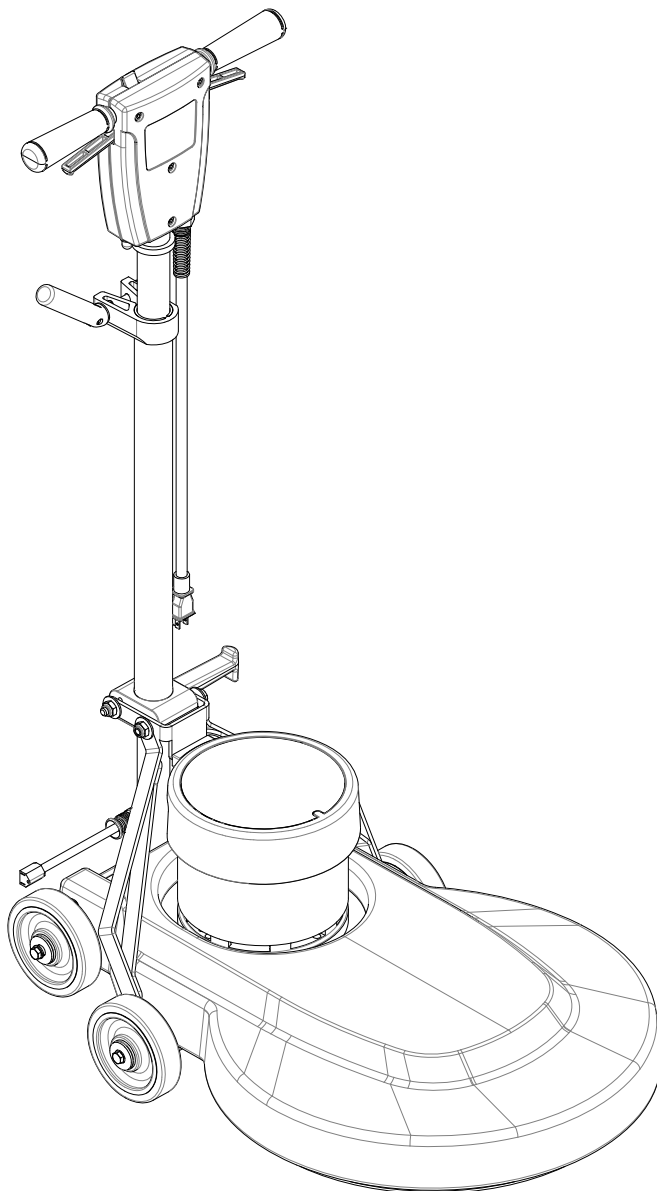


Floor Burnisher 1500 Series

Operating Instructions (ENG)

MODELS: BDP 51/1500 C 115V
 1.009-098.0

 BDP 51/1500 C
 1.009-101.0



Model: _____

Date of Purchase: _____

Serial Number: _____

Dealer: _____

Address: _____

Phone Number: _____

Sales Representative: _____

Warranty Registration

Thank you for choosing our product. Warranty registration is quick and easy. Your registration will allow us to serve you better over the lifetime of the product.

To register your product go to:

<http://warranty.karcherna.com/warrantyregistration.aspx>

Machine Data Label 2
Table of Contents 3
How To Use This Manual 4

Safety

IMPORTANT SAFETY INSTRUCTIONS 5
CONSIGNES DE SÉCURITÉ IMPORTANTES .. 6
HAZARD INTENSITY LEVEL 7
DEGRÉS DE RISQUES EN CAS DE DANGER.. 8
Safety Labels 9
Grounding Instructions - 120v..... 10

Operations

Technical Specifications 11
Handle Installation 12
Controls 13
Handle Height Adjustment 13
Machine Operation 14

Maintenance

Pad Installation 14
Machine Troubleshooting 15
Service Schedule 16
Suggested Spare Parts 17

How To Use This Manual

This manual contains the following sections:

- How to Use This Manual
- Safety
- Operations
- Maintenance
- Suggested Spare Parts

The HOW TO USE THIS MANUAL section will tell you how to find important information for ordering correct repair parts.

Parts may be ordered from authorized dealers. When placing an order for parts, the machine model and machine serial number are important. Refer to the MACHINE DATA box which is filled out during the installation of your machine. The MACHINE DATA box is located on the inside of the front cover of this manual.

Model: _____
Date of Purchase: _____
Serial Number: _____
Dealer: _____
Address: _____
Phone Number: _____
Sales Representative: _____

The model and serial number of your machine are located on the back of the machine.

The SAFETY section contains important information regarding hazardous or unsafe practices of the machine. Levels of hazards are identified that could result in product damage, personal injury, or severe injury resulting in death.

The OPERATIONS section is to familiarize the operator with the operation and function of the machine.

The MAINTENANCE section contains preventive maintenance to keep the machine and its components in good working condition. They are listed in this general order:

- Pad Installation
- Troubleshooting
- Service Schedule

NOTE: If a service or option kit is installed on your machine, be sure to keep the KIT INSTRUCTIONS which came with the kit. It contains replacement parts numbers needed for ordering future parts.

NOTE: The manual part number is located on the lower right corner of the front cover.

IMPORTANT SAFETY INSTRUCTIONS

**When using this machine, basic precaution must always be followed, including the following:
READ ALL INSTRUCTIONS BEFORE USING THIS MACHINE.**

⚠ WARNING: To reduce the risk of fire, electric shock, or injury:

Use only indoors. Do not use outdoors or expose to rain.

Use only as described in this manual. Use only manufacturer's recommended components and attachments.

If the machine is **not working properly**, has been dropped, damaged, left outdoors, or dropped into water, return it to an authorized service center.

Do not operate the machine with any openings blocked. Keep openings free of debris that may reduce airflow.

Do not operate this machine near flammable fluids, dust or vapors.

This machine is suitable for commercial use, for example in hotels, schools, hospitals, factories, shops and offices for more than normal housekeeping purposes.

Maintenance and repairs **must be done** by qualified personnel.

During operation, attention shall be paid to other persons, especially children.

The machine shall only be operated by instructed and authorized persons.

When leaving unattended, unplug the machine.

Do not handle the plug or machine with wet hands.

Do not unplug machine by pulling on cord. To unplug, grasp the plug, not the cord.

Do not use with damaged cord or plug. Follow all instructions in this manual concerning grounding the machine.

Do not pull or carry by cord, use cord as a handle, close a door on cord, or pull cord around sharp edges or corners.

Do not pull/run machine over cord. **Keep** cord away from heated surfaces.

Connect to a **properly** grounded outlet. See Grounding Instructions.

If the supply cord is damaged it must be replaced by a special cord from an authorized service agent.

Unplug machine before cleaning or servicing.

Operational hazard may occur when running the machine over the supply cord.

This appliance has been designed for use with pads specified by the manufacturer. The fitting of other pads may affect its safety.

This machine is for dry use only and shall not be used or stored outdoors in wet conditions.

READ AND SAVE THESE INSTRUCTIONS

CONSIGNES DE SÉCURITÉ IMPORTANTES

Lors de l'utilisation de cette machine, des précautions de base doivent toujours être prises, y compris les précautions suivantes :
LIRE TOUTES LES INSTRUCTIONS AVANT D'UTILISER CETTE MACHINE.

⚠ AVERTISSEMENT: Pour réduire le risque d'incendie, d'électrocution ou de blessure :

N'utiliser cette machine qu'en intérieur. Ne jamais l'utiliser à l'extérieur ou dans la pluie.

N'utiliser cette machine que comme décrit dans le présent manuel. N'utiliser que les composants et les accessoires conseillés par le fabricant.

Lorsque la machine ne **fonctionnant pas correctement**, a fait l'objet d'une chute ou d'une détérioration, a été laissée à l'extérieur, est tombée dans l'eau, la retourner au centre de service agréé.

Ne pas opérer la machine lorsque les conduits de ventilation sont bloqués. Débarrasser les débris des conduits, car ils peuvent réduire l'écoulement d'air.

Ne pas l'utiliser près de liquides, de poussières ou de vapeurs inflammables.

Cette machine est destinée à un usage commercial. Elle est recommandée davantage pour les domaines hôtelier, scolaire, hospitalier, industriel ou pour les bureaux, les chaînes de magasin, que pour un usage domestique normal.

L'entretien et les réparations de la machine **doivent être effectuées** par un personnel qualifié.

Durant la manoeuvre de la machine, prendre garde aux personnes environnantes et notamment aux enfants.

Cette machine ne doit être manoeuvrée que par un personnel expérimenté et qualifié.

Lorsque vous laissez la machine sans surveillance, débranchez-la.

Ne pas toucher la fiche ou l'appareil lorsque vos mains sont humides.

Ne pas débrancher en tirant sur le cordon. Tirer plutôt la fiche.

Ne pas utiliser si le cordon ou la fiche est endommagé

Ne pas tirer soulever ou traîner l'appareil par le cordon. Ne pas utiliser le cordon comme une poignée, le coincer dans l'embrasure d'une porte ou l'appuyer contre des arêtes vives ou des coins.

Ne pas faire rouler l'appareil sur le cordon. Garder le cordon à l'écart des surfaces chaudes.

Cet appareil ne doit être connecter qu'a des prises ayant une sortie de terre. Se reporter aux instructions de mise à la terre.

Si le cordon d'alimentation est endommagé, il doit être remplacé par un cordon spécial d'un agent d'entretien autorisé.

Débranchez la machine avant de la nettoyer ou la réparer.

Un risque opérationnel est probable lors du fonctionnement de la machine avec une surcharge du cordon d'alimentation.

Cet appareil a été conçu pour être utilisé avec des coussins protecteurs spécifiés par le fabricant. L'utilisation d'autres coussins protecteurs peut affecter sa sécurité.

Cette machine est faite pour un usage à sec seulement et ne doit pas être utilisée ou rangée à l'extérieur dans des conditions humides.

LIRE ET CONSERVER CES INSTRUCTIONS

The following symbols are used throughout this guide as indicated in their descriptions:

HAZARD INTENSITY LEVEL

There are three levels of hazard intensity identified by signal words **-WARNING** and **CAUTION** and **FOR SAFETY**. The level of hazard intensity is determined by the following definitions:



WARNING - Hazards or unsafe practices which COULD result in severe personal injury or death.



CAUTION - Hazards or unsafe practices which could result in minor personal injury or product or property damage.

FOR SAFETY: To Identify actions which must be followed for safe operation of equipment.

Report machine damage or faulty operation immediately. Do not use the machine if it is not in proper operating condition. Following is information that signals some potentially dangerous conditions to the operator or the equipment. Read this information carefully. Know when these conditions can exist. Locate all safety devices on the machine. Please take the necessary steps to train the machine operating personnel.

FOR SAFETY:

DO NOT OPERATE MACHINE:

Unless Trained and Authorized.

Unless Operation Guide is Read and understood.

In Flammable or Explosive areas.

In areas with possible falling objects

WHEN SERVICING MACHINE:

Avoid moving parts. Do not wear loose clothing; jackets, shirts, or sleeves when working on the machine. Use manufacturer approved replacement parts.

Les symboles ci-dessous sont utilisés à travers ce manuel comme illustré dans leurs descriptions :

DEGRÉS DE RISQUES EN CAS DE DANGER

Il existe trois degrés de risques identifiés par les termes signalétiques –**AVERTISSEMENT** et **ATTENTION** et **POUR VOTRE SÉCURITÉ**. Le degré de risque est défini de la manière suivante

⚠ AVERTISSEMENT:

AVERTISSEMENT - Dangers ou méthodes dangereuses qui **POURRAIENT** provoquer de graves blessures ou entraîner la mort.

⚠ ATTENTION:

ATTENTION - Dangers ou méthodes dangereuses qui pourraient provoquer des blessures légères ou une détérioration du produit ou des biens immobiliers.

POUR VOTRE SÉCURITÉ : ce signe permet d'identifier les mesures de précaution à prendre pour assurer un bon fonctionnement du matériel.

Rendre compte immédiatement d'une défaillance ou d'une détérioration de la machine. Ne pas utiliser la machine si celle-ci ne fonctionne pas correctement. Lire soigneusement les informations ci-dessous signalant certains dangers potentiels pour l'opérateur de la machine. L'opérateur doit être absolument au courant de ces dangers potentiels. Localiser tous les dispositifs de sécurité sur la machine. Il est conseillé de prendre les mesures nécessaires pour former le personnel opérateur.

POUR VOTRE SÉCURITÉ :

NE PAS MANOEUVRER LA MACHINE :

Lorsqu'on n'est pas expérimenté ou qualifié.

Lorsque le guide d'utilisation n'est pas été lu ou compris.

Dans des zones inflammables ou explosives.

Dans des zones où des objets peuvent tomber.

LORS DE L'ENTRETIEN DE LA MACHINE :

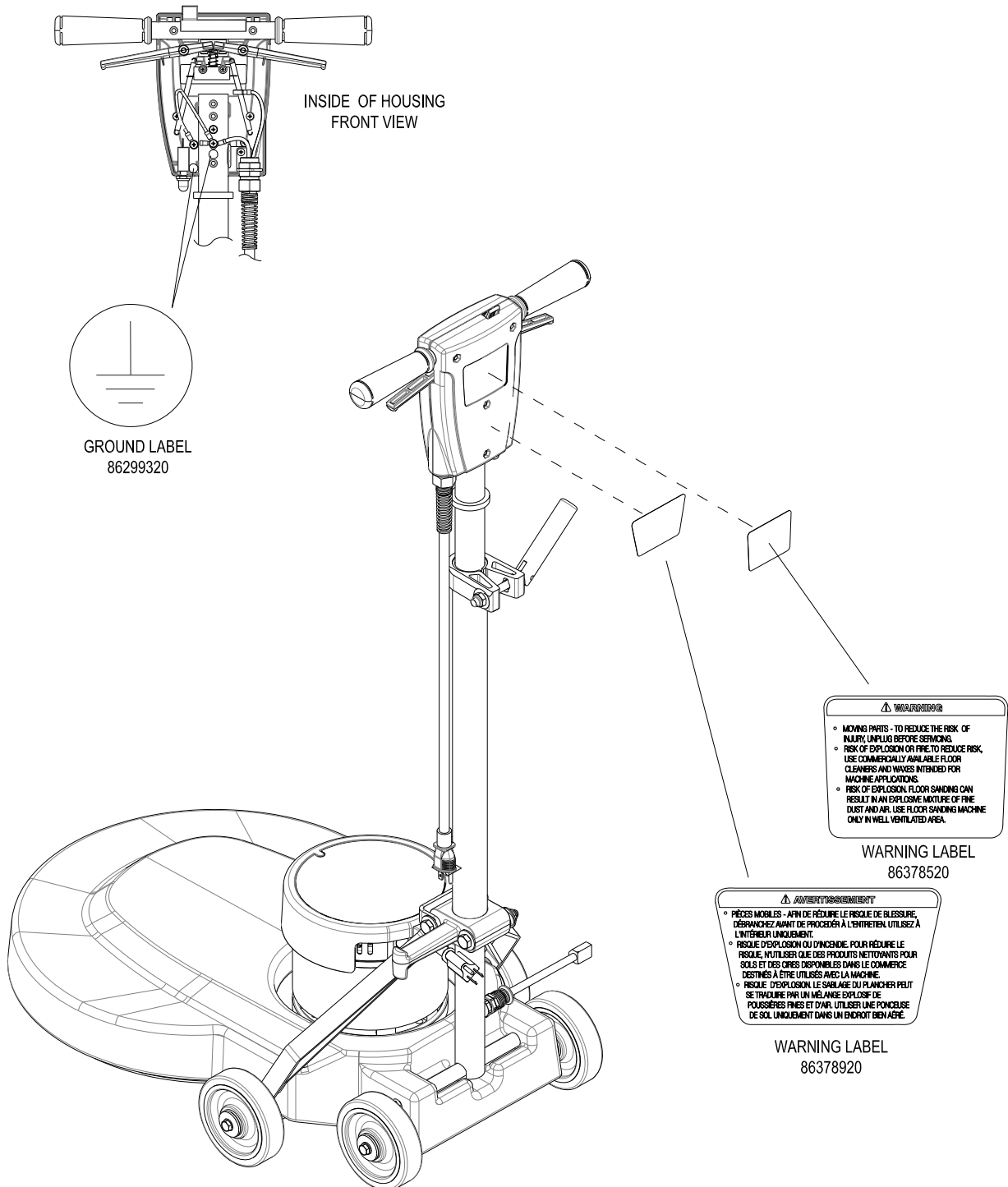
Éviter les parties amovibles. Ne pas porter de vêtements amples, tels que des vestes, des chemises ou des vêtements avec manches lors de l'utilisation de la machine. Utiliser les pièces détachées homologuées.

Safety Labels

NOTE: These drawings indicate the location of safety labels on the machine. If at any time the labels become illegible, promptly replace them.

Emplacement De L'étiquette De Sécurité

REMARQUE: Ces dessins indiquent l'emplacement des étiquettes de sécurité sur la machine. Si, à tout moment, les étiquettes deviennent illisibles, contactez votre représentant autorisé pour un remplacement rapide.



Grounding Instructions - 120v

THIS PRODUCT IS FOR COMMERCIAL USE ONLY.

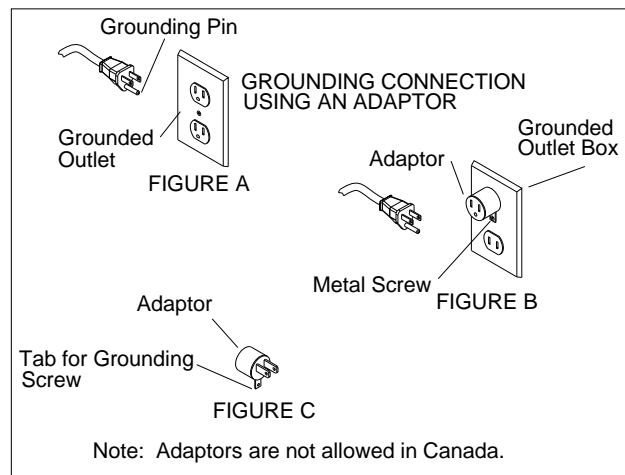
Electrical:

In the USA this machine operates on a 15 amp nominal 120V, 60 hz, A.C. power circuit. The amp, hertz, and voltage are listed on the data label found on each machine. Using voltages above or below those indicated on the data label will cause serious damage to the motors.

Grounding Instructions:

This appliance must be grounded. If it should malfunction or break down, grounding provides a path of least resistance for electric current to reduce the risk of electric shock. This appliance is equipped with a cord having an equipment-grounding conductor and grounding plug. The plug must be inserted into an appropriate outlet that is properly installed and grounded in accordance with all local codes and ordinances.

This appliance is for use on a nominal 120-volt circuit, and has a grounded plug that looks like the plug in "Fig. A". A temporary adaptor that looks like the adaptor in "Fig. C" may be used to connect this plug to a 2-pole receptacle as shown in "Fig. B", if a properly grounded outlet is not available. The temporary adaptor should be used only until a properly grounded outlet (Fig. A) can be installed by a qualified electrician. The green colored rigid ear, lug, or the like extending from the adaptor must be connected to a permanent ground such as a properly grounded outlet box cover. Whenever the adaptor is used, it must be held in place by a metal screw.



! WARNING:

Improper connection of the equipment-grounding conductor can result in a risk of electric shock. Check with a qualified electrician or service person if you are in doubt as to whether the outlet is properly grounded. Do not modify the plug provided with the appliance - if it will not fit the outlet, have a proper outlet installed by a qualified electrician.

! AVERTISSEMENT:

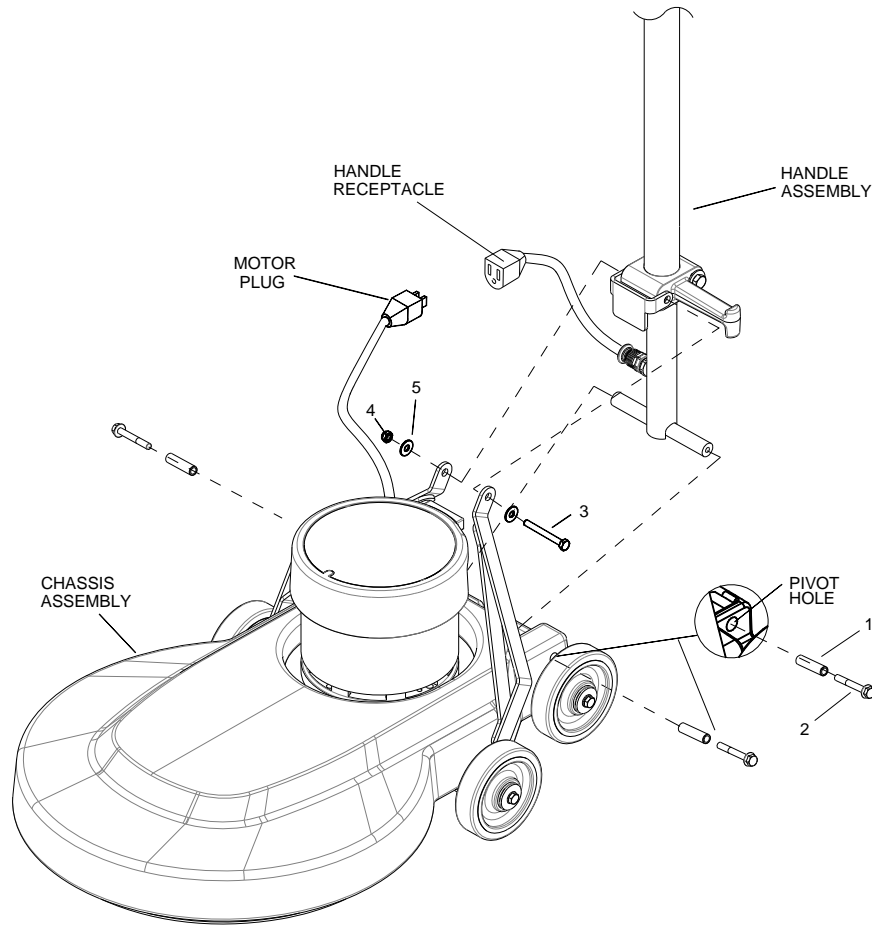
Le raccordement incorrect du conducteur de terre d'équipement peut entraîner des risques d'électrocution. Vérifiez auprès d'un électricien qualifié ou d'un responsable de l'entretien si vous avez quelque doute que ce soit quant au raccordement à la terre de votre prise murale. Ne modifiez pas la fiche fournie avec l'appareil: si elle ne correspond pas à la prise murale, faites installer une prise adéquate par un électricien qualifié.

Technical Specifications

ITEM	DIMENSION/CAPACITY/MODEL
CONSTRUCTION	Molded UL-recognized PE chassis, tubular steel adjustable handle with die cast aluminum handle housing.
MOTOR	1.5 hp
PAD SPEED	1500 rpm
ELECTRICAL SYSTEM:	
LB1500	115 volts, 60 Hz
CABLE	75' [22.9 m]
SWITCHES	Dual levers with safety lock
WHEELS	Four 5" (12.7 cm) dia., 1.25" (3 cm) wide, non-marking tread
HANDLE	1.5" (4 cm) tubular steel, adjustable, easy to use thumb activated safety lock
DIMENSIONS (L X W X H)	31" (80 cm) X 21" (54 cm) X 49" (124 cm)

NOTE: Always use a pad, which has been designed for electric ultra high speed burnishing of at least 2000 rpm.

Handle Installation



⚠ WARNING:

The handle must be installed by qualified personnel. Read all instructions thoroughly. The machine is shipped with handle unassembled.

⚠ AVERTISSEMENT:

La poignée doit être installée par du personnel qualifié. Lisez toutes les instructions attentivement. La machine est livrée avec la poignée démontée.

The machine is shipped with handle unassembled.

Follow these steps for installation:

1. Remove handle and chassis assembly from carton.
2. Attach handle assembly to base using hardware kit (preinstalled in base) items 1 and 2.

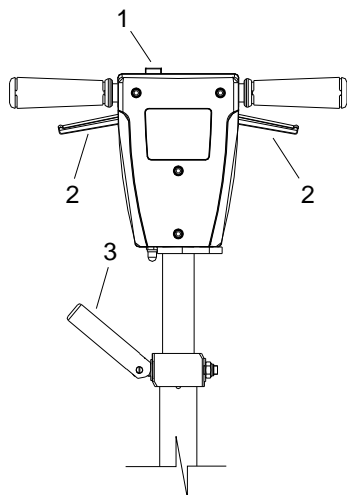
NOTE: The bushings (items 1) are required for the correct operation of the handle. The bushings are positioned inside the pivot holes in the chassis, and are held in place by tightening the screws (item 2) against the bushing.

3. Remove bolt, nut and washers (items 3, 4 and 5) from lower block on handle assembly. Attach links as shown. Tighten bolt and nut securely, then back off 1/4 to 1/2 turn. Fully tighten bolt and nut on rear of lower block on handle assembly.
4. Check handle for movement up and down.

Plug motor cord into handle cord receptacle by routing the cords above the handle links.

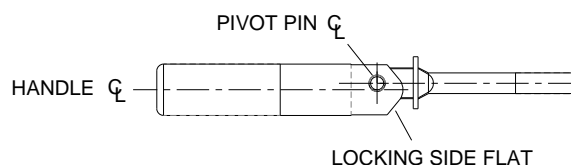
Controls

1. **Safety Lock** – Prevents unintended operation of the machine.
2. **Switch Levers** – Turns machine on/off.
3. **Adjustment Handle** – Allows the handle to be adjusted to a comfortable operating position.



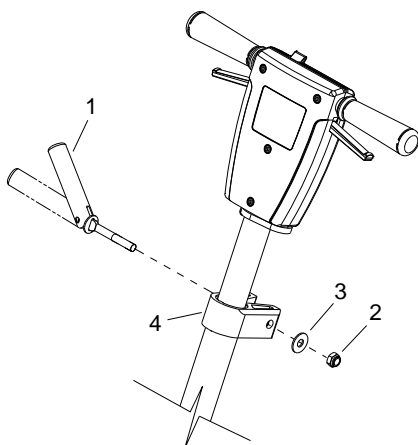
NOTE: It is incorrect to make it lock opposite from the way it was assembled by applying more force to the nut.

The pivot pin is off center in relationship to the axis of the handle. To adjust handle, tighten nut on handle while in the locked position. The handle is locked when the screw is to the outside of the machine and the flat on the opposite side of the handle is flush to the bracket.



Handle Height Adjustment

NOTE: The handle is in the up, locked position from the factory.



The handle adjust bar (1) for the polishers are individually preset at the factory for optimum locking efficiency and minimum effort of engaging. It should not be necessary to adjust the handle adjust bar unless the handle adjustment bar (1) the washer (3) and nut (2) have been disturbed.

Machine Operation

⚠ CAUTION:

For indoor use only.

⚠ ATTENTION:

Pour utilisation à l'intérieur seulement.

⚠ CAUTION:

When using the pad, always keep the machine moving when in contact with the floor.

⚠ ATTENTION:

Lorsque vous utilisez le coussin protecteur, gardez toujours la machine en mouvement lorsqu'elle est en contact avec le sol.

⚠ WARNING:

High starting torque. Hold machine firmly with both hands.

⚠ AVERTISSEMENT:

Couple de démarrage élevé. Tenez la machine fermement à deux mains.

1. Ensure that the pad driver is in good shape. Install or change pad if necessary.
2. Plug the machine into a wall outlet as described in the grounding instructions.
3. Lower the handle by unlocking the adjustment handle and moving the handle into position. Relock the handle when it is in a comfortable position.

⚠ WARNING:

Insure that handle is locked in position before starting machine.

⚠ AVERTISSEMENT:

Assurez-vous que la poignée est bloquée en position avant de démarrer la machine.

4. Push the safety lock forward, unlocking the switch levers.

5. With the safety lock forward, squeeze one or both of the switch levers, turning the machine on. (These levers can be operated independently of each other). The safety lock will not re-engage until both levers are released.
6. To stop the machine, release the switch levers.
7. Do not let machine rest on pad. When finished with the machine, return handle to the storage position.

NOTE: The machine is equipped with a circuit breaker to protect the motor in the event an overload condition occurs. The circuit breaker is located on the handle. Push the reset button to restart the machine. If the breaker trips again, correct the cause of overloading before proceeding.

Maintenance

1. Inspect power cord for wear. To prevent electrical shock replace cords with frayed or cracked insulation immediately.
2. Place machine in the storage position.
3. Check pad condition. Change if soiled or torn.

Pad Installation

1. Lay machine back, exposing the under side.
2. Remove center lock by turning counter-clockwise.
3. Ensure pad is centered on pad driver. Pull pad to edge of pad to edge of pad driver in several directions to check for proper engagement.
4. Replace center lock by turning clockwise firmly compressing the center of the pad.

Machine Troubleshooting

PROBLEM	CAUSE	SOLUTION
Machine will not run	Circuit breaker tripped in building.	Check and reset.
	Power switch failure	Test switch for continuity and replace if necessary.
	Tripped circuit breaker	Reset.
	Faulty power cord	Replace.
Electrical shock	Equipment not grounded	Follow grounding instructions exactly.
	Receptacle not grounded	Have an electrician inspect building's wiring.
	Internal wiring problem	Ensure that the machine wiring matches the appropriate wiring diagram. Replace any wires or components that are short circuiting.
Repeated circuit breaker tripping	Mechanical problem	Higher amp draws indicate a mechanical problem. Find the problem before using the machine.
	Faulty circuit breaker	Test circuit for continuity. Replace circuit breaker if necessary.
Excessive vibration	Pad not centered	Re-center pad.
	Damaged or unevenly worn pad	Replace pad. Do not rest machine on pad when not in use.
	Damaged pad driver	Replace.
Pad does not turn but motor is running	Belt is loose or broken	Adjust or replace belt.

Service Schedule

MAINTENANCE	DAILY	MONTHLY
Check pad wear to prevent buildup of chemicals	*	
Check pad driver system for damage	*	
Check handles, switches, and knobs for damage	*	
Store with pad off the floor	*	
Check all bearings for noise		*
Check overall performance of machine		*

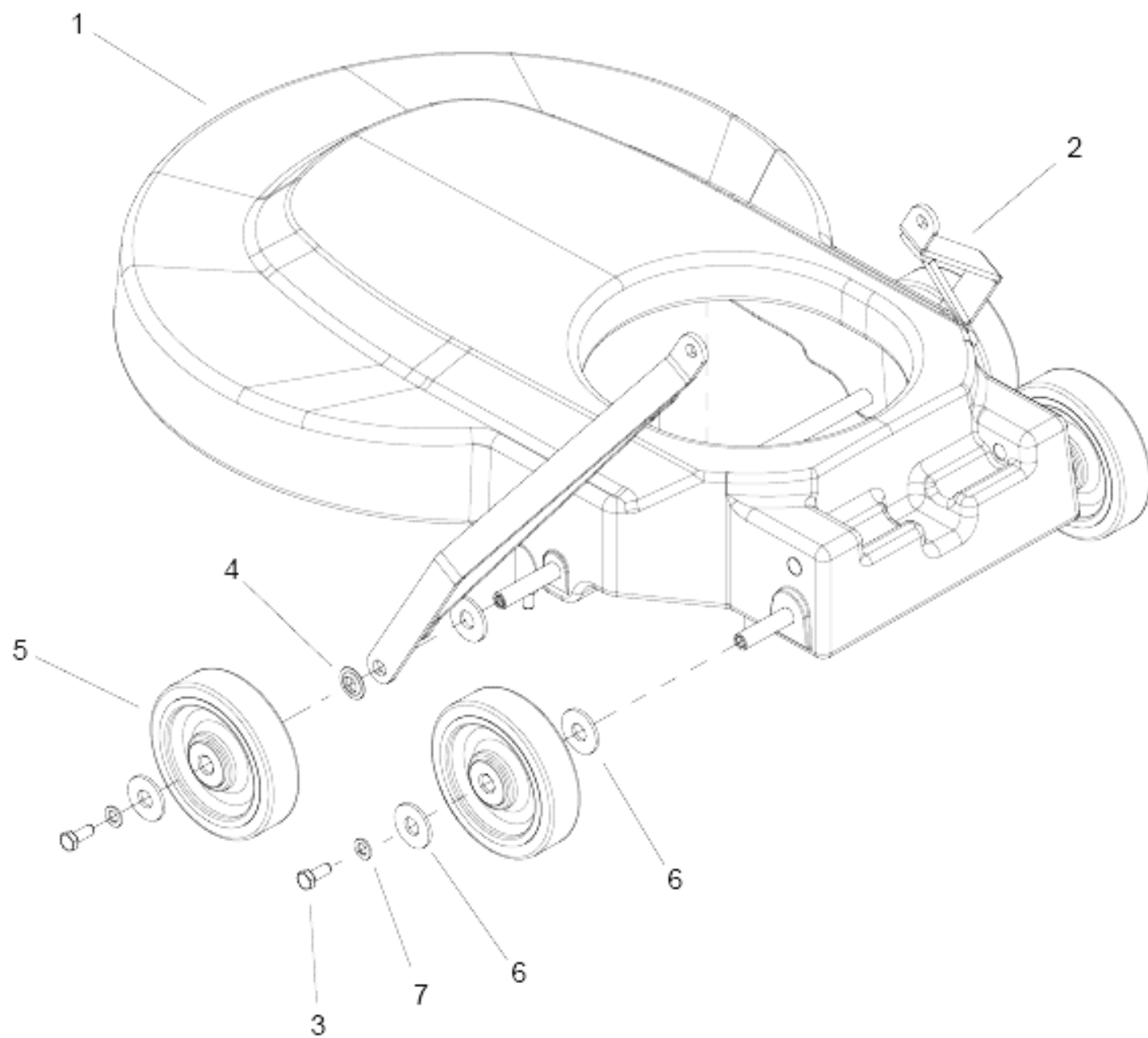
PART NO.	DESCRIPTION	SERIAL NO. FROM	NOTES:
86225710	WASHER, BEARING (HANDLE ADJ)		
86224740	SPRING, EXT .5 OD X 3.5L		
86224750	SPRING, COMP .48 OD X .91 L		
86215130	BAR, HANDLE ADJ		
86222560	PIN, PIVOT, HANDLE ADJ		
86223550	ROD, HANDLE ADJ		
86222480	PAD DRIVER, 20IN BURNISHER FLEX		
86215330	BELT, DRIVE 38 IN		

Table of contents

BDP 51/1500 C 115V (ALL MODELS)	2
20 CHASSIS	3
30 DRIVE / PAD LOCK	5
40 ELECTRICAL	7
50 HANDLE	9
60 MOTOR	11

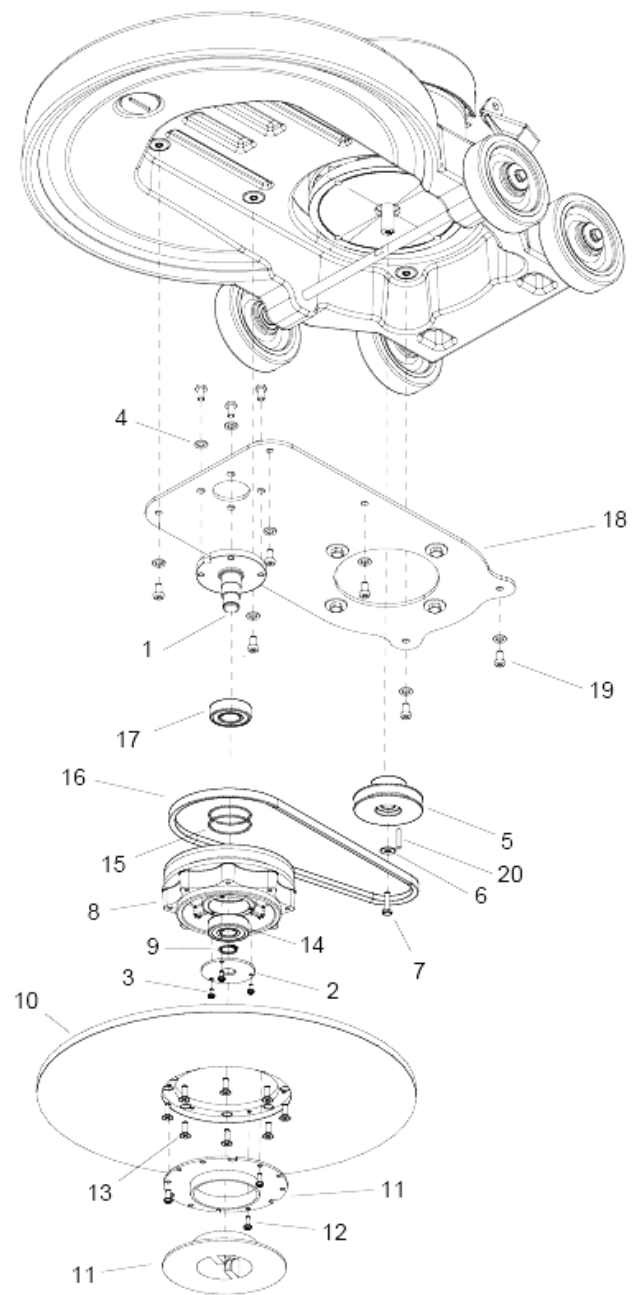
BDP 51/1500 C 115V (ALL MODELS)

POS	Description	Quantity	Unit
20	CHASSIS	11.000	ST
30	DRIVE / PAD LOCK	1.000	ST
40	ELECTRICAL	1.000	ST
50	HANDLE	1.000	ST
60	MOTOR	1.000	ST



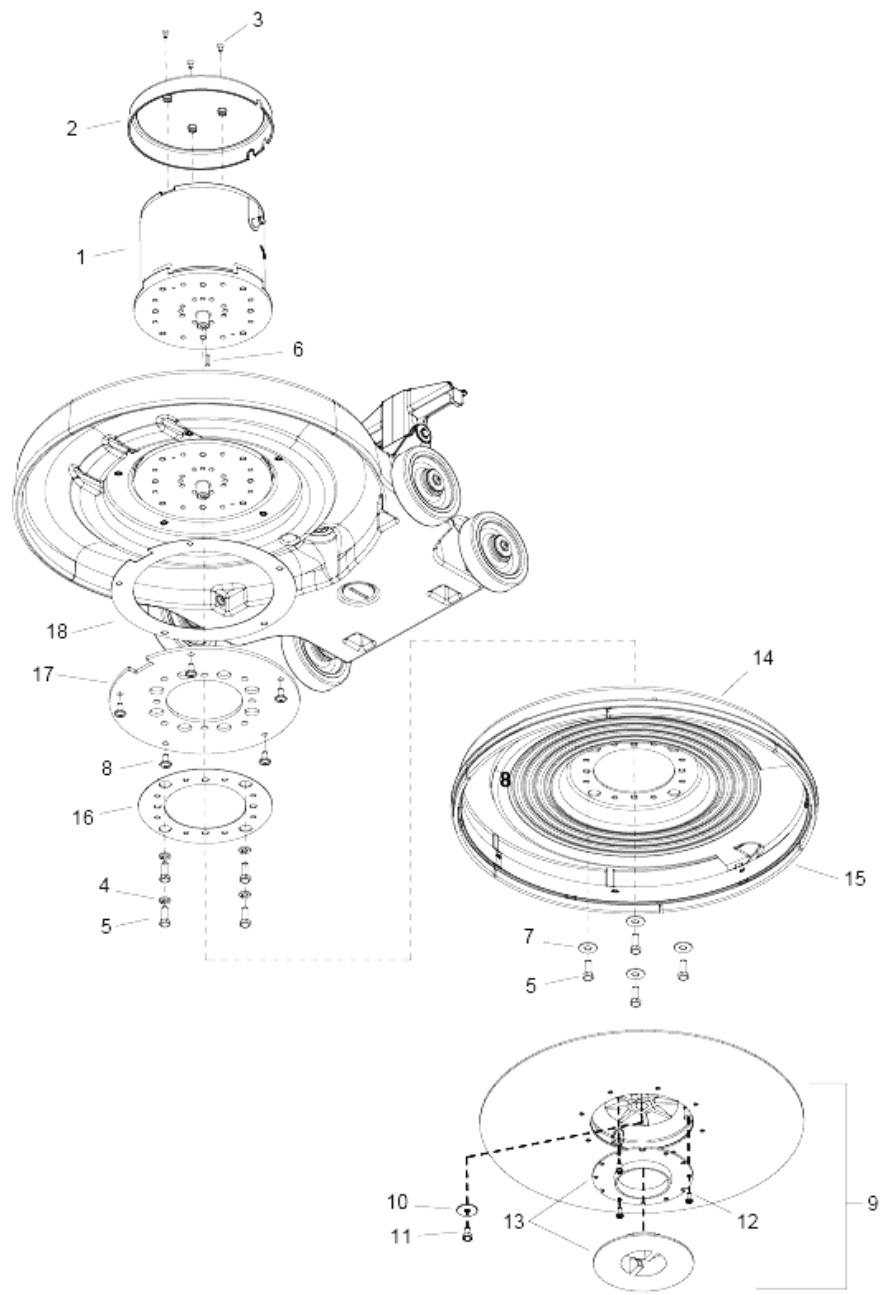
20 CHASSIS

POS	Article no.	Description	Quantity	Unit
1	8.638-718.0	CHASSIS	1.000	ST
2	8.621-546.0	BRACKET, HANDLE LINK	2.000	ST
3	8.613-664.0	SCREW, M8-1.25 X 20 HHMS ZNPLT	4.000	ST
4	8.622-227.0	NUT, .51 PUSH SPRST	2.000	ST
5	8.622-602.0	Wheel 5D X 1.25 X 13MMID GRY	4.000	ST
6	8.622-572.0	WASHER, 14MMID X 36MMOD	8.000	ST
7	8.613-728.0	WASHER, M8 FLT STL DIN125A ZNPLT	8.000	ST



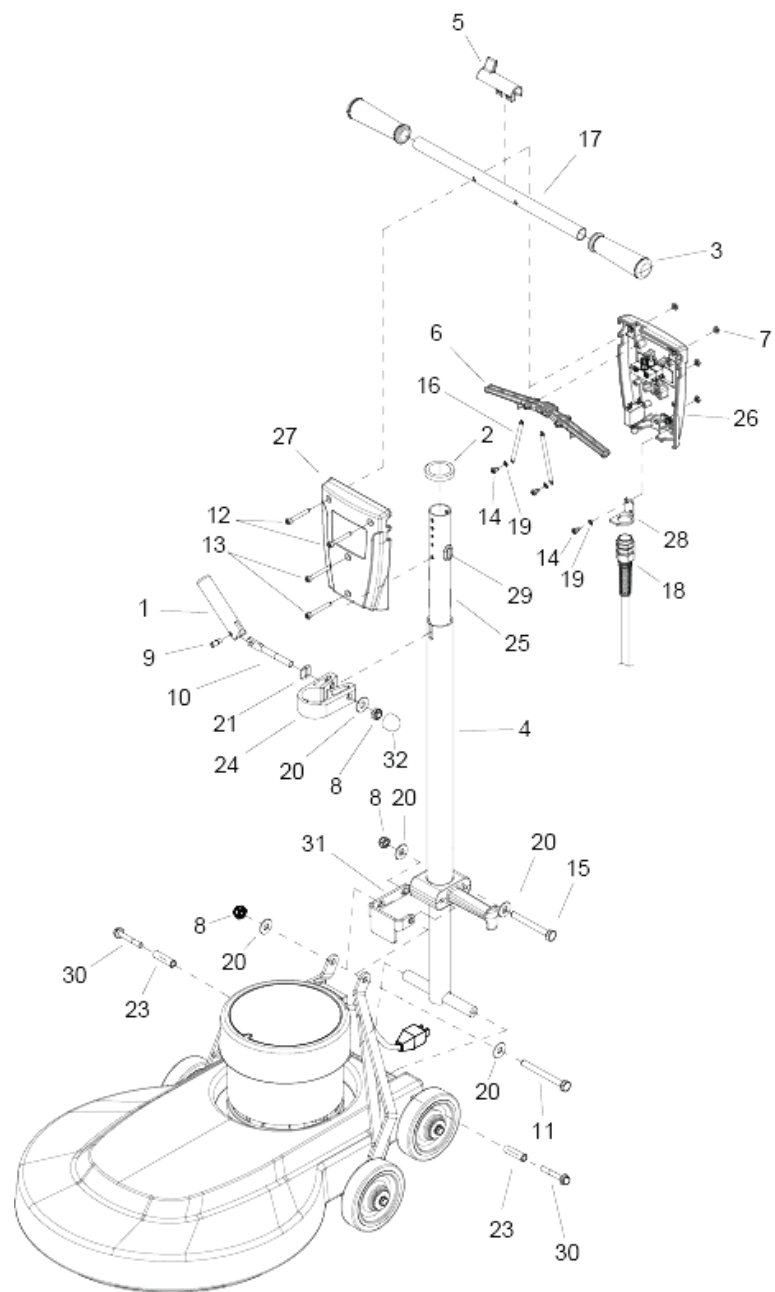
30 DRIVE / PAD LOCK

POS	Article no.	Description	Quantity	Unit
1	8.621-494.0	AXLE, PAD DRIVER	1.000	ST
2	8.621-751.0	COVER, BEARING	1.000	ST
3	8.627-673.0	SCREW, M4 X 8 PPHMS	3.000	ST
4	8.613-728.0	WASHER, M8 FLT STL DIN125A ZNPLT	10.000	ST
5	8.622-328.0	PULLEY, .625 X 3.45	1.000	ST
6	8.622-573.0	WASHER, M6 X 20.5 X 1.6 STL ZNPLT	1.000	ST
7	8.627-375.0	SCREW, 1/4-20 X .625 HHCS SS NP	1.000	ST
8	8.622-329.0	PULLEY, BURNISHER	1.000	ST
9	8.622-347.0	RING, 20MM EXTERNAL SNAP	1.000	ST
10	8.622-248.0	PAD DRIVER,20IN BURNISHER FLX	1.000	ST
11	8.624-674.0	LOCK, PAD DRIVER BLUE	1.000	ST
12	8.627-674.0	SCREW, 10 X .375 PHPNHST TYPEB	3.000	ST
13	8.600-667.0	SCREW, 1/4-20 X .75 PHFLHCS NP	8.000	ST
14	8.622-397.0	BALL BEARING, 6304	1.000	ST
15	8.622-348.0	Ring 52MM INTERNAL SNAP	2.000	ST
16	8.621-533.0	Belt, drive 38 IN	1.000	ST
17	8.622-398.0	Ball bearing 52x25x15	1.000	ST
18	8.638-719.0	PLATE, MOTOR MOUNT	1.000	ST
19	8.629-341.0	SCREW, M8-1.25 X 15 BTNHCS GR8.8 BLKOX	10.000	ST
20	8.642-647.0	KEY, MOTOR, 4.75SQ X 19MM	1.000	ST



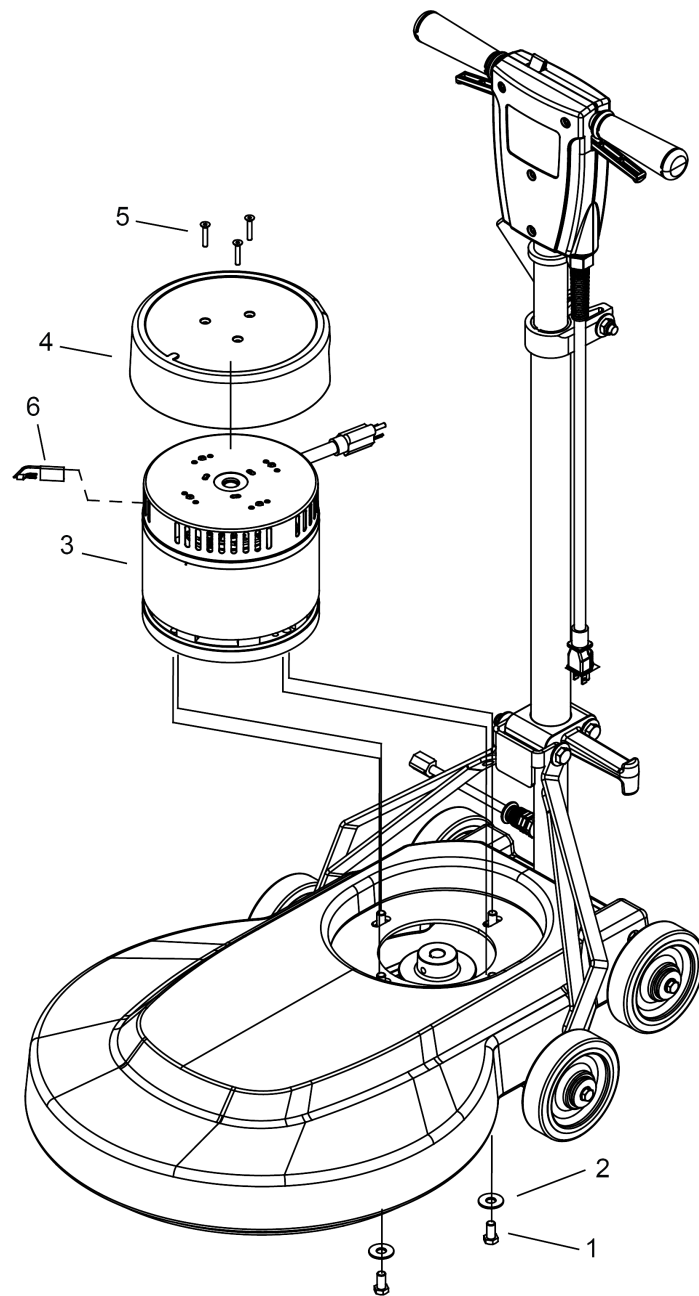
40 ELECTRICAL

POS	Article no.	Description	Quantity	Unit
1	8.600-201.0	BOOT, 3/8 CIRCUIT BREAKER	1.000	ST
2	8.619-845.0	CLAMP, 5/16 dia NYLON	1.000	ST
3	8.636-910.0	CORD SET, STW, 14/75', YLW	1.000	ST
4	8.621-692.0	CORDSET, 14/3 X 52", SJT, BLK	1.000	ST
5	8.628-845.0	SCREW, M4.8 X 10 PHTF TYPEB	4.000	ST
6	8.613-678.0	SCREW, M3.5 X 40 PHTF TYPEB	2.000	ST
7	8.600-711.0	Switch 25A SPST 125-250V SNAP	2.000	ST
8	8.622-475.0	SPRING, COMP, .48OD X .91L	1.000	ST
9	8.613-729.0	WASHER, M4 SHPRF	3.000	ST
10	8.613-733.0	WASHER, M5 SHPRF STL ZNPLT	6.000	ST
11	8.621-514.0	BARRIER SHEET	1.000	ST
12	8.622-493.0	STRAIN RELIEF, 14/3 STRAIGHT	1.000	ST
13	8.622-430.0	SPACER, POLISHER HANDLE	1.000	ST
14	8.631-246.0	BREAKER, 14A, VDE CIRCUIT	1.000	ST
15	8.617-335.0	WASHER, M5 FLT SS ISO7089	1.000	ST
16	8.635-248.0	WIRE, 14AWG, #10R X #10R, YLW W/GRN	1.000	ST



50 HANDLE

POS	Article no.	Description	Quantity	Unit
1	8.621-513.0	BAR, HANDLE ADJUST	1.000	ST
2	8.636-601.0	BUMPER, FLOOR MACHINE	1.000	ST
3	8.600-407.0	GRIP, POLISHER HANDLE	2.000	ST
4	8.638-552.0	ASM, SLIDER TUBE	1.000	ST
5	8.600-515.0	Lock safety handle	1.000	ST
6	8.600-516.0	Lever switch	2.000	ST
7	8.613-635.0	NUT, M6 HEX	4.000	ST
8	8.613-636.0	NUT, M10X1.5 HEX NYLOCK STL ZNPLT	3.000	ST
9	8.622-256.0	PIN, PIVOT, HANDLE ADJUSTMENT	1.000	ST
10	8.622-355.0	ROD, HANDLE ADJUST	1.000	ST
12	8.613-667.0	SCREW, M6-1 X 45 SCHCS STL BLK NKLPLT	3.000	ST
13	8.613-668.0	SCREW, M6-1 X 50 SCHCS STL BLK NKLPLT	2.000	ST
14	8.628-845.0	SCREW, M4.8 X 10 PHTF TYPEB	5.000	ST
15	8.613-672.0	SCREW, M10 X 1.5 X 90 HHCS STL ZNPLT	1.000	ST
16	8.622-474.0	SPRING, EXT, .5OD X 3.5L	2.000	ST
17	8.622-537.0	TUBE, GRIP HANDLE	1.000	ST
18	8.636-578.0	STRAIN RELIEF, METAL, LARGE	1.000	ST
19	8.627-908.0	WASHER, M4 FLT STL DIN125A ZNPLT	3.000	ST
20	8.601-072.0	WASHER, M10 FNDR STL ZNPLT	5.000	ST
21	8.622-571.0	WASHER, BEARING (HANDLE ADJ)	1.000	ST
22	8.613-733.0	WASHER, M5 SHPRF STL ZNPLT	2.000	ST
23	8.638-709.0	BUSHING, HANDLE	2.000	ST
24	8.631-095.0	CLAMP, HANDLE	1.000	ST
25	8.621-850.0	HANDLE, BRNSHR EXTND	1.000	ST
26	8.636-595.0	HOUSING, FM HANDLE, REAR	1.000	ST
27	8.636-596.0	HOUSING, FM HANDLE, FRONT	1.000	ST
28	8.636-887.0	BRKT, STRAIN RELIEF MT	1.000	ST
29	5.363-790.0	Wire protecting sleeve ID18	1.000	ST



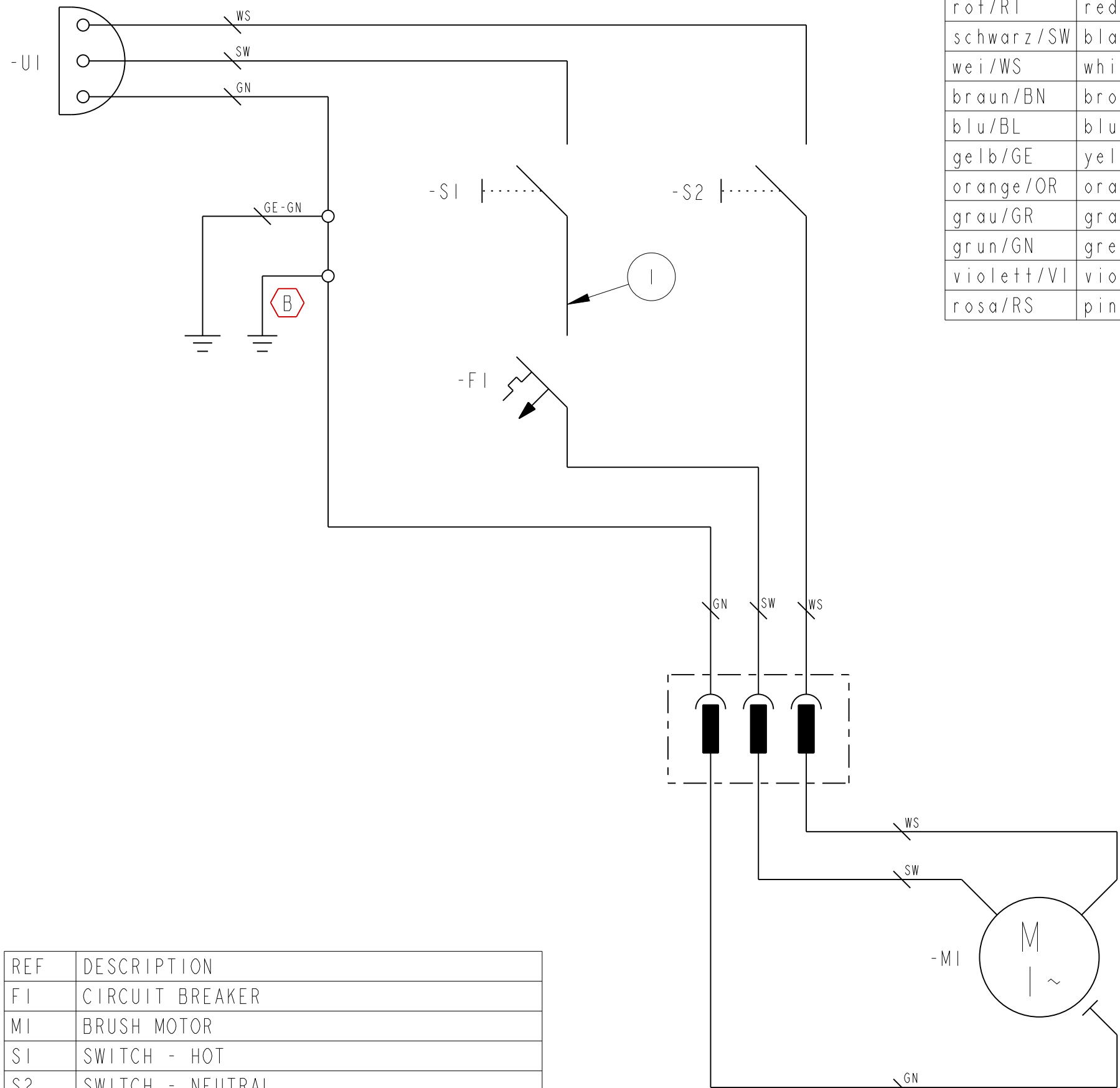
60 MOTOR

POS	Article no.	Description	Quantity	Unit
1	8.600-692.0	SCREW, 3/8-16 X .75 HHCS STL GR5 ZNPLT	4.000	ST
2	8.601-072.0	WASHER, M10 FNDR STL ZNPLT	4.000	ST
3	8.638-429.0	MOTOR, LB1500	1.000	ST
4	8.638-846.0	COVER ASM, LB2000 MOTOR	1.000	ST
5	8.642-363.0	SCREW, 10-32 X .75 HEXFLHMS STL ZNPLT	3.000	ST
6	8.638-828.0	KIT, BRUSH, MOTOR DS	1.000	ST
7	8.630-654.0	LABEL NOT SHOWN	1.000	ST

REVISION

REV	DESCRIPTION	ECR	REV BY	DATE
A	RELEASE FOR PROTOTYPE	-	-	-
B	UPDATED FOR SECOND GROUND SCREW	5029573	GZ	07-17-17

Aderfarben	Wire Color
rot/RT	red
schwarz/SW	black
wei/WS	white
braun/BN	brown
blu/BL	blue
gelb/GE	yellow
orange/OR	orange
grau/GR	gray
grun/GN	green
violett/VI	violet
rosa/RS	pink



REF	DESCRIPTION
FI	CIRCUIT BREAKER
MI	BRUSH MOTOR
S1	SWITCH - HOT
S2	SWITCH - NEUTRAL
UI	MAINS CONNECTION 120VAC / 60HZ / 15A

REF	PART NO	DESCRIPTION	QTY	REMARKS
I	8.631-183.0	WIRE, 125MM, BLK/14,76029X76029	1	

PROPRIETARY & CONFIDENTIAL
 THE INFORMATION CONTAINED IN THIS DRAWING IS PROPRIETARY AND MAY CONTAIN TRADE SECRETS AND PATENTABLE SUBJECT MATTER WHICH ARE THE EXCLUSIVE PROPERTY OF KÄRCHER NORTH AMERICA. THIS DRAWING IS PROTECTED BY THE COPYRIGHT LAWS OF THE UNITED STATES

KÄRCHER

TOLERANCES: UNLESS OTHERWISE NOTED

INCH	MILLIMETERS
.X ± .1	X ± 3
.XX ± .05	X,X ± 1.3
.XXX ± .010	X,XX ± .25
	∠ ± 1.0°

DESCRIPTION: WIRING GROUP, 120V POLISHER

SIZE: B SCALE: 1.000 DRAWING NUMBER: 86314940 REV: B

DRAWING IS APPROVED BY ELECTRONIC SIGNATURE IN PLM SYSTEM DRAWN BY: SG DATE: 09-02-08 THIRD ANGLE PROJECTION SHEET: 1 OF 1