

RADIANT ORBITAL SCRUBBER

Operator's Manual



MODEL: 1.005-297.0



8.638-856.0-E 07/13/20

Machine Data Label

Model:	_____
Date of Purchase:	_____
Serial Number:	_____
Dealer:	_____
Address:	_____
Phone Number:	_____
Sales Representative:	_____

All Radiant equipment have been carefully tested and inspected at our USA factory. Radiant machines are guaranteed for one year from the date of original purchase against defects or workmanship made during manufacture. Within the guarantee period we undertake at our discretion, to repair or replace any part found to be defective, free of charge to the purchaser with subject to the following conditions:

Claims made under the terms of the guarantee must be supported by the original invoice issued at the time of sale along with the machine serial number.

For claims under this guarantee contact the supplier from whom you've purchased the product who will arrange the appropriate action. Do not initially return the product as this could lead to transit damage.

Neither Radiant nor its distributors will be held responsible for any incidental or consequential loss.

This guarantee does not cover:

Periodic maintenance, repair, or replacement of parts due to normal wear and tear.

Damage caused by accident, misuse or neglect, fire, or the fitting of other than genuine Radiant parts.

Defects in other than genuine Radiant parts, repairs, modifications or adjustments made by other than a Radiant service engineer or authorized service dealer. Costs and risks of transport relating directly or indirectly to the guarantee of this product. Consumable items such as brushes, drivers, velcro discs, gliders, pads, and so forth. Radiant has a policy of continual product development and we reserve the right to alter specifications without prior notice.

Machine Data Label 2
Table of Contents 3
How To Use This Manual 4

Safety

Grounding Instructions 120V 5
Hazard Intensity Level 8
Safety Label Location 10
Technical Specifications 11

Operations

Unpacking and Initial Operations 12
Pre-Run Inspection 12
Process of Cleaning 13
End of the Application 13
Storage 14
Lifting and Carrying 15
Weight Kit Installation 15
Brush Installation 16
Attaching and Removing the Driver Plates 16
Accessories And Applications 17
Standard Driver Plate 17
Carpet Pads 18
Chemical Free Stripping Pad 18
Scrub Brush 18
Concrete Brush 18
Superzorb Pad 19
Carpet Cleaning 19
Cleaning Hard Floors 20

Maintenance

Cleaning the Machine 21
Changing The Driver Grip Face 21

Parts

Handle 24
Tank 26
Motor 28
Frame, Wheels, & Pump 30
Spray Handle 32
Wiring Diagram 34

How To Use This Manual

This manual contains the following sections:

- How to Use This Manual
- Safety
- Operations
- Maintenance
- Parts List

The HOW TO USE THIS MANUAL section will tell you how to find important information for ordering correct repair parts.

Parts may be ordered from authorized dealers. When placing an order for parts, the machine model and machine serial number are important. Refer to the MACHINE DATA box which is filled out during the installation of your machine. The MACHINE DATA box is located on the inside of the front cover of this manual.

Model: _____
Date of Purchase: _____
Serial Number: _____
Dealer: _____
Address: _____
Phone Number: _____
Sales Representative: _____

The model and serial number of your machine is located on the back of the machine.

The SAFETY section contains important information regarding hazardous or unsafe practices of the machine. Levels of hazards are identified that could result in product damage, personal injury, or severe injury resulting in death.

The OPERATIONS section is to familiarize the operator with the operation and function of the machine.

The MAINTENANCE section contains preventive maintenance to keep the machine and its components in good working condition. They are listed in this general order:

- Cleaning the Machine
- Changing The Driver Grip Face

The PARTS LIST section contains assembled parts illustrations and corresponding parts list. The parts lists include a number of columns of information:

- **REF** – column refers to the reference number on the parts illustration.
- **PART NO.** – column lists the part number for the part.
- **QTY** – column lists the quantity of the part used in that area of the machine.
- **DESCRIPTION** – column is a brief description of the part.
- **NOTES** – column for information not noted by the other columns.

NOTE: If a service or option kit is installed on your machine, be sure to keep the KIT INSTRUCTIONS which came with the kit. It contains replacement parts numbers needed for ordering future parts.

NOTE: The manual part number is located on the lower right corner of the front cover.

Grounding Instructions 120V

THIS PRODUCT IS FOR COMMERCIAL USE ONLY

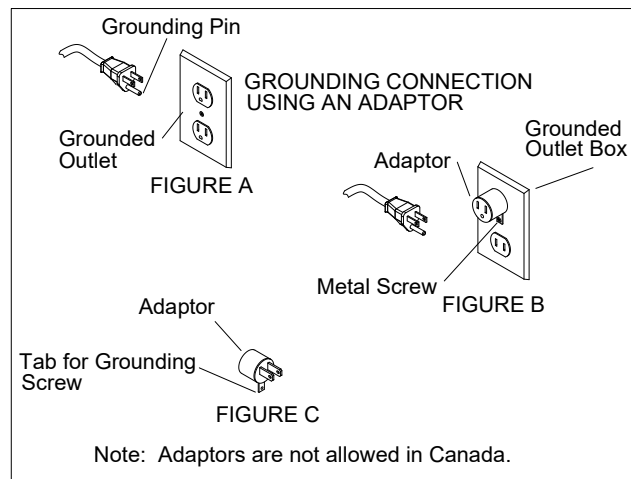
Electrical:

This machine operates on a 14 amp nominal 120 V, 60 hz, A.C. power circuit. The amp, hertz, and voltage are listed on the data label found on each machine. Using voltages above or below those indicated on the data label will cause serious damage to the motors.

Grounding Instructions

This appliance must be grounded. If it should malfunction or break down, grounding provides a path of least resistance for electric current to reduce the risk of electric shock. This appliance is equipped with a cord that has an equipment-grounding conductor and grounding plug. The plug must be inserted into an appropriate outlet that is properly installed and grounded in accordance with all local codes and ordinances.

This appliance is for use on a nominal 120 volt circuit, and has a grounded plug that looks like the plug in "Fig. A". A temporary adapter that looks like the adapter in "Fig. C" may be used to connect this plug to a 2-pole receptacle as shown in "Fig. B", if a properly grounded outlet is not available. The temporary adapter should be used only until a properly grounded outlet (Fig. A) can be installed by a qualified electrician. The green colored rigid ear, lug, or similar that extends from the adapter must be connected to a permanent ground such as a properly grounded outlet box cover. Whenever the adapter is used, it must be held in place by a metal screw.



⚠ WARNING:

Improper connection of the equipment-grounding conductor can result in electric shock. Check with a qualified electrician or service person if you are in doubt as to whether the outlet is properly grounded. Do not modify the plug provided with the appliance - if it will not fit the outlet, have a proper outlet installed by a qualified electrician.

⚠ AVERTISSEMENT:

Le raccordement incorrect du conducteur de terre d'équipement peut entraîner des risques d'électrocution. Vérifiez auprès d'un électricien qualifié ou d'un responsable de l'entretien si vous avez quelque doute que ce soit quant au raccordement à la terre de votre prise murale. Ne modifiez pas la fiche fournie avec l'appareil: si elle ne correspond pas à la prise murale, faites installer une prise adéquate par un électricien qualifié.

IMPORTANT SAFETY INSTRUCTIONS

When using this machine, basic precaution must always be followed, including the following:

READ ALL INSTRUCTIONS BEFORE USING THIS MACHINE.

⚠ WARNING: To reduce the risk of fire, electric shock, or injury:

- Use only indoors. Do not use outdoors or expose to rain.
- Use only as described in this manual. Use only manufacturers recommended components and attachments.
- If the machine is not working properly, has been dropped, damaged, left outdoors, or dropped into water, return it to an authorized service center.
- Do not operate the machine with any openings blocked. Keep openings free of debris that may reduce airflow.
- Do not operate this machine near flammable fluids, dust or vapors.
- This machine is suitable for commercial use such as: in hotels, schools, hospitals, factories, shops, and Offices for more than normal housekeeping purposes.
- Maintenance and repairs must be done by qualified personnel.
- During operation, use caution around other persons, especially children.
- The machine shall only be operated by instructed and authorized persons.
- When leaving unattended, unplug the machine.
- Do not handle the plug or machine with wet hands.
- Do not unplug machine by pulling on cord. To unplug, grasp the plug and not the cord.
- Do not use with damaged cord or plug. Follow all instructions in this manual concerning grounding the machine.
- Do not pull or carry by cord, use cord as a handle, close a door on cord, or pull cord around sharp edges or corners.
- Do not pull/run machine over cord. Keep cord away from heated surfaces.
- Connect to a properly grounded outlet. See Grounding Instructions.
- If the supply cord is damaged it must be replaced by an authorized service agent.
- Unplug before cleaning or servicing.
- Operational hazard may occur when running the machine over the supply cord.
- This appliance has been designed for use with pads specified by the manufacturer. The fitting of other pads may affect its safety.
- This machine is for dry use only and shall not be used or stored outdoors in wet conditions
- Moving Parts - To reduce the risk of injury, unplug before servicing.

READ AND SAVE THESE INSTRUCTIONS

IMPORTANTES MESURES DE SÉCURITÉ

**L'utilisation d'un appareil électrique demande certaines précautions:
LIRE TOUTES LES INSTRUCTIONS AVANT DE FAIRE FONCTIONNER CETTE
MACHINE.**

⚠ AVERTISSEMENT: Pour réduire les risques d'incendie, de chocs électriques, ou de blessures.

N'utiliser cette machine qu'en intérieur. Ne jamais l'utiliser à l'extérieur ou dans la pluie.

N'utiliser cette machine que comme décrit dans le présent manuel. N'utiliser que les composants et les accessoires conseillés par le fabricant.

Lorsque la machine ne fonctionnant pas correctement, a fait l'objet d'une chute ou d'une détérioration, a été laissée à l'extérieur, est tombée dans l'eau, la retourner au centre de service agréé.

Ne pas opérer la machine lorsque les conduits de ventilation sont bloquées. Débarrasser les débris des conduits, car ils peuvent réduire l'écoulement d'air.

Ne pas l'utiliser près de liquides, de poussières ou de vapeurs inflammables.

Cette machine est destinée à un usage commercial. Elle est recommandée davantage pour les domaines hôtelier, scolaire, hospitalier, industriel ou pour les bureaux, les chaînes de magasin, que pour un usage domestique normal.

L'entretien et les réparations de la machine doivent être effectuées par un personnel qualifié.

Durant la manoeuvre de la machine, prendre garde aux personnes environnantes et notamment aux enfants.

Cette machine ne doit être manoeuvrée que par un personnel expérimenté et qualifié.

Lorsque vous laissez la machine sans surveillance, débranchez-la.

Ne pas toucher la fiche ou l'appareil lorsque vos mains sont humides.

Ne pas débrancher en tirant sur le cordon. Tirer plutôt la fiche.

Ne pas utiliser si le cordon ou la fiche est endommagé

Ne pas tirer soulever ou traîner l'appareil par le cordon. Ne pas utiliser le cordon comme une poignée, le coincer dans l'embrasure d'une porte ou l'appuyer contre des arêtes vives ou des coins.

Ne pas faire rouler l'appareil sur le cordon. Garder le cordon à l'écart des surfaces chaudes.

Cet appareil ne doit être connecter qu'à des prises ayant une sortie de terre. Se reporter aux instructions de mise à la terre.

Si le cordon d'alimentation est endommagé, il doit être remplacé par un cordon spécial d'un agent d'entretien autorisé.

Débranchez la machine avant de la nettoyer ou la réparer.

Un risque opérationnel est probable lors du fonctionnement de la machine avec une surcharge du cordon d'alimentation.

Cet appareil a été conçu pour être utilisé avec des coussins protecteurs spécifiés par le fabricant. L'utilisation d'autres coussins protecteurs peut affecter sa sécurité.

Cette machine est faite pour un usage à sec seulement et ne doit pas être utilisée ou rangée à l'extérieur dans des conditions humides.

Pièces Mobiles - Afin de réduire le risqué de blessure, débranchez avant de procéder à l'entretien. Utilisez à l'intérieur uniquement.

CONSERVER CES INSTRUCTIONS

Safety

The following symbols are used throughout this guide as indicated in their descriptions:

Hazard Intensity Level

There are three levels of hazard intensity identified by signal words -**WARNING**, **CAUTION**, and **FOR SAFETY**. The level of hazard intensity is determined by the following definitions:



WARNING - Hazards or unsafe practices *CAN* result in severe personal injury or death.



CAUTION - Hazards or unsafe practices which could result in minor personal injury or product or property damage.

FOR SAFETY: To identify actions which must be followed for safe operation of equipment:

Report machine damage or faulty operation immediately. Do not use the machine if it is not in proper operating condition. The following is information that signals some potentially dangerous conditions to the operator or the equipment. Read this information carefully. Know when these conditions can exist. Locate all safety devices on the machine. Please take the necessary steps to train the machine operating personnel.

FOR SAFETY:

DO NOT OPERATE MACHINE:

- Unless trained and authorized.
- Unless Operation Guide is read and understood.
- In flammable or explosive areas.
- In areas with possible falling objects.

WHEN SERVICING MACHINE:

Avoid moving parts. Do not wear loose clothing, jackets, shirts, or sleeves when working on the machine. Use only manufacturer approved replacement parts.

Les symboles ci-dessous sont utilisés à travers ce manuel comme illustré dans leurs descriptions :

Degrés De Risques En Cas De Danger

Il existe trois degrés de risques identifiés par les termes signalétiques -**AVERTISSEMENT** et **ATTENTION** et **POUR VOTRE SÉCURITÉ**. Le degré de risque est défini de la manière suivante :

⚠ AVERTISSEMENT:

AVERTISSEMENT - Dangers ou méthodes dangereuses qui POURRAIENT provoquer de graves blessures ou entraîner la mort.

⚠ ATTENTION:

ATTENTION - Dangers ou méthodes dangereuses qui pourraient provoquer des blessures légères ou une détérioration du produit ou des biens immobiliers.

POUR VOTRE SÉCURITÉ: ce signe permet d'identifier les mesures de précaution à prendre pour assurer un bon fonctionnement du matériel:

Rendre compte immédiatement d'une défaillance ou d'une détérioration de la machine. Ne pas utiliser la machine si celle-ci ne fonctionne pas correctement. Lire soigneusement les informations ci-dessous signalant certains dangers potentiels pour l'opérateur de la machine. L'opérateur doit être absolument au courant de ces dangers potentiels. Localiser tous les dispositifs de sécurité sur la machine. Il est conseillé de prendre les mesures nécessaires pour former le personnel opérateur.

POUR VOTRE SÉCURITÉ:

NE PAS MANOEUVRER LA MACHINE:

Lorsqu'on n'est pas expérimenté ou qualifié.

Lorsque le guide d'utilisation n'est pas été lu ou compris.

Dans des zones inflammables ou explosives.

Dans des zones où des objets peuvent tomber.

LORS DE L'ENTRETIEN DE LA MACHINE:

Éviter les parties amovibles. Ne pas porter de vêtements amples, tels que des vestes, des chemises ou des vêtements avec manches lors de l'utilisation de la machine. Utiliser les pièces détachées homologuées.

Safety

Safety Label Location

This drawing indicates the location of safety labels on the Machine. If at any time the labels become illegible, contact your authorized representative for prompt replacement.

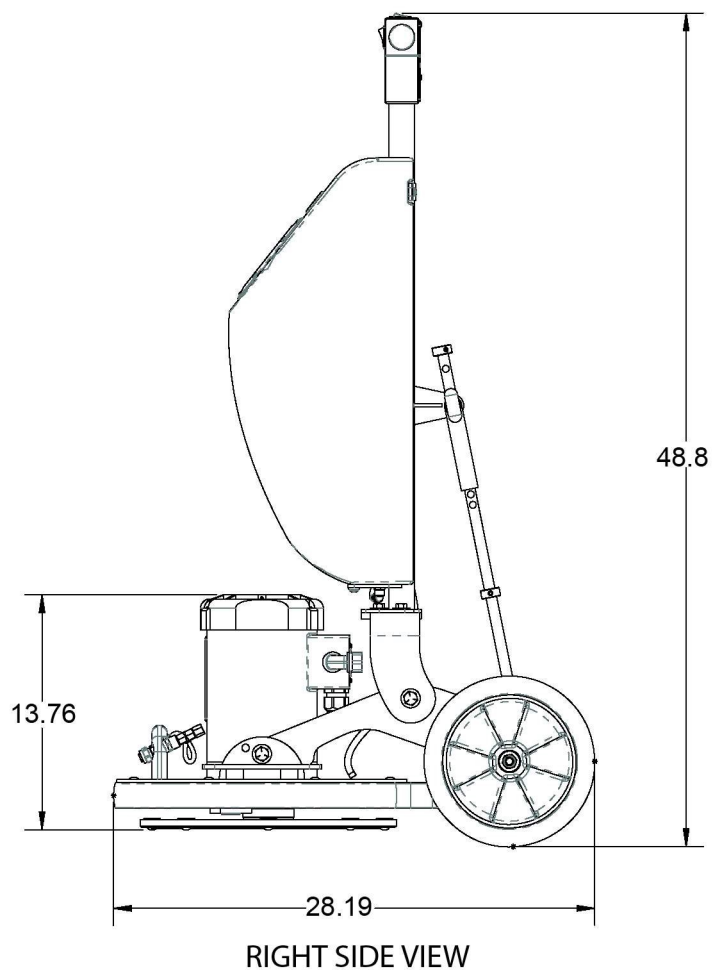
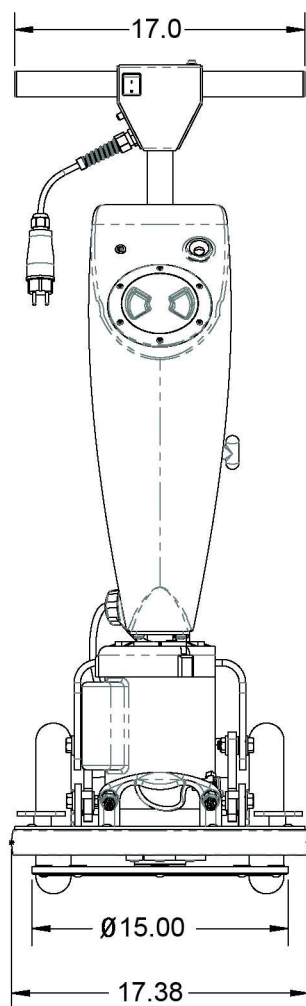
Emplacement De L'étiquette De Sécurité

Ces dessins indiquent l'emplacement des étiquettes de sécurité sur la machine. Si, à tout moment, les étiquettes deviennent illisibles, contactez votre représentant autorisé pour un remplacement rapide.



Technical Specifications

ITEM	MEASURE
Motor	1HP, 120V / 60Hz, 11amp (60Hz)
RPM	1725 (60Hz)
Base Diameter	17.38" / 43 cm
Orbital Diameter	3/8" (9.5mm)
Machine Weight	95 Lbs./ 43 kg
Height	48.8" (123.9 cm)
Length	28.19" (71.6cm)
Wheels	10"/25 cm Diameter, Resistant To Chemicals



Operations

Unpacking and Initial Operations

Open the shipping box on both sides, remove the packaging material and roll the machine out of the box.

Fill the tank with water. You can add a cleaning solution of your choice in a prescribed mixing ratio.

Pre-Run Inspection

Before each use, inspect the accessory such as the pad driver for cracks, tears, or excess wear. If the machine or accessory is dropped, inspect for damage to install an undamaged accessory. Repair the damaged machine before the next application.

Tilt the head back and place the foot of the bumper on the ground. Choose a pad for the appropriate application. Center the pad on the driver plate.

Position the handle in a lower position and push slowly forward until the machine base tilts towards the ground.

⚠ CAUTION:

Make sure to put the wheels back on the ground in time to avoid the base from falling on the ground. This might cause damage!

⚠ ATTENTION:

Assurez-vous de toujours garder les roues arrière sur le sol, pour éviter que la base ne tombe sur le sol. Cela pourrait causer des dommages! Check to make sure the power switch is in the "off" position.

Set the handle position to the desired height by pulling and releasing the black knob with the left hand. While holding the black knob out, raise or lower the handle frame with your right hand.

To fix the handle frame into place, release the black knob so that it locks firmly into one of the holes.

To turn the machine on, press the power button on the end of the left handle.

Position "0" is off and position "I" is on.

⚠ CAUTION:

Make sure a suitable pad or brush is mounted before starting the machine. The immediate contact of the floor and driver plate without a pad can lead to serious damage of the floor and/or the machine.

⚠ ATTENTION:

Assurez-vous qu'une brosse ou un tampon adéquat est installé avant de démarrer l'appareil. Le contact immédiat avec la chaussée et la plaque d'entraînement sans tampon peut provoquer de graves dommages au sol ou à l'appareil.



Process of Cleaning

For effective floor cleaning, move the machine forward and backwards. It is recommended to spray the floor as you move the machine forward, releasing the spray button when you move the machine backwards.

To increase the pressure and cleaning effect on certain floor types like tile and grout, you can lift the machine frame up, raising the wheels off the ground. When lifting the wheels off the ground the full weight of the machine lies on the machine base.

⚠ CAUTION:

Make sure the surface to be cleaned is not damaged by the increase in pressure.

⚠ ATTENTION:

Assurez-vous que la surface à nettoyer n'est pas endommagée par l'augmentation de la pression.

Omit this measure on very sensitive floors.

End of the Application

Turn off the machine by putting the on/off switch to "O". If a cleaning solution was used, fill solution tank with water and spray out system for 30 seconds or drain using draining port at bottom of tank.

⚠ CAUTION:

Make sure to not let solution come in contact with the motor.

⚠ ATTENTION:

Assurez-vous de ne pas laisser la solution entrer en contact avec le moteur.



Operations

Storage

To avoid damage to the handle frame, DO NOT lay the machine frame on the floor as done with other traditional cleaning equipment. Remove the pad from the driver plate by pulling it down firmly. Put the machine frame in an upright position by pulling the black knob with the left hand and move the handle frame upwards with the right hand. The black knob should lock firmly in the top hole.

⚠ CAUTION:

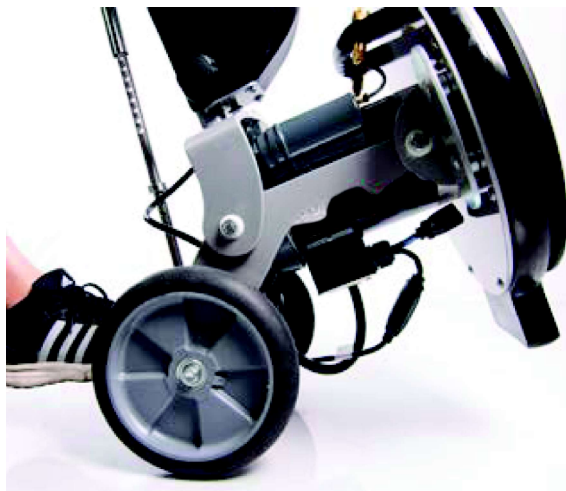
To allow an easy transportation of the machine, remove the weight kit if used.

⚠ ATTENTION:

Pour transporter facilement l'appareil, enlevez l'ensemble de poids utilisé.

To easily roll the machine, push your foot on the back wheel axle to create leverage and pull the handle towards your body. The machine can be moved similar to a dolly now.

Always store with the base in the upright position.



Lifting and Carrying

If you do not have a ramp, we recommend two people to lift machine in and out of a vehicle. Put the handle into a firmly locked lower position. Make sure that the machine base rests on a pad, so that the grip surface of the driver plate does not get damaged or hooked onto a carpeted surface.

When lifting the machine in or out of the vehicle, set the wheels down first, followed by the machine base.

⚠ WARNING:

Make sure not to grip too close to the machine base. If the base should flip upwards it can cause serious hand injuries.

⚠ AVERTISSEMENT:

Veillez à ne pas serrer trop près de la base de l'appareil, car si la base se retournait vers le haut, cela pourrait causer des graves blessures à la main.

Make sure you lift the machine with a back-friendly posture.

Secure machine firmly so it will not move.

Weight Kit Installation

The total weight of the weight kit is 40 lbs.

Put the weights on top of the mounting plates located on the sides of the machine base.

Put the four screws into the holes provided on the weight plates and fasten by turning clockwise.

Once the screws have threaded at least 5 full turns, tighten the wing nuts by turning them clockwise, until the weights fit securely to the base.

⚠ CAUTION:

Make sure that the weights are securely attached to the base. Loose weights can cause serious damage.

⚠ ATTENTION:

Assurez-vous que tous les poids sont solidement attachés à la base. Les poids lâches peuvent causer de graves dommages.

For storage and transport we recommend removing the weight kit. The machine can be transported more easily without the weights.



Operations

Brush Installation

Put the machine base in an upright position, sitting on the foot of the bumper.

Remove the driver plate by removing the four countersink screws in the center of the plate using an electric screwdriver.

⚠ WARNING:

It is important to only use a Number 3 Phillips head screwdriver bit. Smaller bit sizes can damage the screw heads and leave sharp edges, which can tear or snag the pads.

⚠ AVERTISSEMENT:

Il est important de n'utiliser qu'un embout de tournevis Phillips numéro 3. Des embouts de tailles inférieures peuvent endommager les têtes de vis et laisser des arêtes vives, qui peuvent se déchirer ou accrocher les tampons.

Damaged screws can cause further damage.

Mount the brush with the same countersink screws used for mounting the driver plates.

NOTE: Tighten the screws sufficiently to avoid disengagement of the brush from the machine during operation

To avoid stripping the screws do not over tighten. An electric screwdriver with a clutch will ensure that stripping will not occur.

Attaching and Removing the Driver Plates

Put the machine base in an upright position, sitting on the foot of the bumper. Remove the driver plate by removing the four countersink screws in the center of the plate using an electric screwdriver.

Attach a driver plate to the machine base by lining up the holes of the driver plate with the appropriate threads of the bearing retainer ring. It is recommended to align the threads of the bearing horizontally to the ground.

Put the four countersink screws through the holes of the driver plate and first screw them into the bearing retainer ring threads manually. Then, tighten the screws with an electric screwdriver



NOTE: Tighten the screws sufficiently to avoid disengagement of the driver plate from the machine base during operation. To avoid stripping the screws do not over tighten. An electric screwdriver with a clutch will ensure that stripping will not occur.

Accessories And Applications

⚠ WARNING:

Never store the accessories in wet conditions. Keep the accessories away from extreme heat and from chemicals.

⚠ AVERTISSEMENT:

N'entrez jamais les accessoires dans des endroits humides. Gardez les accessoires hors de la chaleur extrême et de produits chimiques.

Driver Plates

⚠ WARNING:

Exclusively use designed driver plates only. The use of other driver plates will damage the machine and its mechanical action.

⚠ AVERTISSEMENT:

Utilisez exclusivement des plaques d'entraînement de fabricant. L'utilisation d'autres plaques d'entraînement endommagerait l'appareil et son action mécanique.

The driver plates are fastened on the machine base with four countersink screws.

Standard Driver Plate

The standard driver plate (17" in diameter) is supplied. It is suitable for use with all pads for textile and hard floor applications. The pads can be easily attached and removed from the driver disc.

⚠ WARNING:

Never put the driver on the carpet without a pad attached, as this might cause serious damage to the floor.

⚠ AVERTISSEMENT:

Ne placez jamais la partie motrice sur la moquette sans un tampon, car cela pourrait gravement endommager le sol.



Operations

Carpet Pads

The beige AgiClean pads are made of a special blend of fibers and latex that allows the gentle cleaning of heavily soiled short-pile carpets as well as the scrubbing of hard floors. Attach the AgiClean pads by centering them onto the driver plate.

An AgiClean pad, used on both sides, cleans an approximate area of 1000 -2000 sq. ft (100 to 200m²), depending on the floor type and level of soil. Rinse the AgiClean pads after each use with clean water.

Chemical Free Stripping Pad

Chemical Free Stripping Pads are made of a unique material impregnated with diamonds. They can be used for deep cleaning and to remove wax off of vinyl, VCT, linoleum, wood, safety tiles and more.

A Chemical Free Stripping Pad, used on both sides, cleans an approximate area of 1000-2000 sq. ft (100 to 200m²), depending on the floor type and the level of wax and soil. Make sure to thoroughly rinse the Chemical Free Stripping Pad with clean water after each use.

Scrub Brush

The bristles of the brush are made of high quality nylon. The unique brush design is ideal for cleaning tile and grout, smooth concrete, rubber flooring, and micro-porous surfaces such as porcelain and safety tiles. It can also be used for any other hard surfaces.

Concrete Brush

Our concrete brush is designed for outside concrete and other rough surfaces. It is great for cleaning walkways with minimal water.

⚠ WARNING:

Never use the concrete brush on any other floor other than the specified outside concrete or rough surfaces, as this brush will cause serious damage to all other flooring.

⚠ AVERTISSEMENT:

N'utilisez jamais la brosse en béton sur un autre type de sol que le béton ou que les surfaces rugueuses extérieures précisées, car cette brosse pourrait causer de graves dommages à tous les autres revêtements de sol.



Superzorb Pad

Our exclusive, highly absorbent cotton-polyester blend pads are specifically designed for the Radiant. Thoroughly remove moisture, soil, and lift carpet pile allowing faster dry times.

A SuperZorb Pad, used on both sides, cleans an approximate area of 3000 sq. ft (280m²), depending on floor type and level of soil. SuperZorb Pads are machine washable and can be reused hundreds of times.

! CAUTION:

The use of the multi-purpose brush may splash in certain applications. Take appropriate measures or use a splash guard to prevent the wetting of walls and other obstacles.

! ATTENTION:

Dans le cadre de certaines applications, l'utilisation de la brosse à usages multiples peut éclabousser. Prenez les mesures appropriées ou utilisez le pare-éclaboussures si nécessaire pour empêcher de mouiller les murs et d'autres obstacles

Rinse the brush as needed with clean water after each use. Depending on usage and care, you can use the multipurpose brush for many years.

NOTE: ON STORAGE: Never store the multi-purpose brush with the bristles down. This can deform the bristles, damage the brush and reduce the cleaning performance.

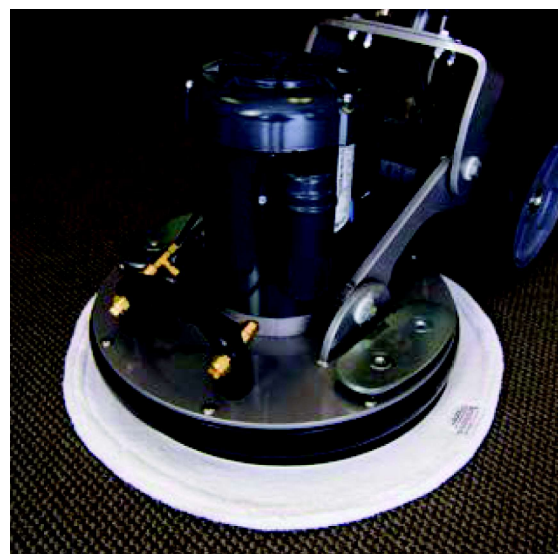
You can bring deformed bristles back into their original form by heating them with a heat gun.

Application On Different Floor Types

Carpet Cleaning

Vacuum the carpet thoroughly before cleaning. Large dirt particles are removed, allowing the application to be more effective.

Apply solution as you move forward. The carpet should be cleaned by going forward and backwards two to three times, while applying solution on the first pass in order to keep the drying time low. Depending on the level of soil and the nature of the carpet, this process can be shortened or extended. As required, carpets can be vacuumed again after cleaning.



Operations

Cleaning Hard Floors

Remove dust and coarse dirt from the surface before cleaning. Choose a suitable pad according to the application. Place the pad in the center of the driver. Gently lower the head on to the floor. Surface can be cleaned by moving forward and backwards two to and adding water. Use a cleaning solution as needed. Depending on the soil contamination and the floor type, this process can be shortened or extended.



Cleaning the Machine

Clean the machine with a soft cloth and a neutral pH cleaner.

With scrub head resting in the vertical position, rinse bearing while rotating the pad driver or brush. Before emptying the solution tank, adjust the handle to the middle position so that the water drains behind the machine.

Changing The Driver Grip Face

Remove the ten outer screws that fasten the grip face disc on the driver plate. To save time, use an electric screwdriver with a #3 Phillips Head bit.

! WARNING:

The Number #3 Phillips head bit is slightly larger than standard size. It is important that you are using a #3 Phillips Head bit, as smaller bits can damage the screw heads and produce sharp edges which can damage the cleaning pads. Attach a new grip face disc to the driver plate using the ten screws.

! AVERTISSEMENT:

L'embout de tournevis Phillips numéro 3 est légèrement plus grand que la taille standard. Il est important que vous utilisiez un embout de tournevis Phillips numéro 3, puisque des embouts de taille inférieure peuvent endommager les têtes de vis et laisser des arêtes vives, qui peuvent endommager les tampons de nettoyage. À l'aide des dix vis, fixez un nouveau disque à face de préhension à la plaque d'entraînement.

! WARNING:

Make sure that the screws are very tight, not loose. If the screws are even slightly loose it can cause damage to the grip face disc. Ensure that the four holes in the middle of the grip face disc are aligned with the screws located on the driver plate. An exact alignment allows easy removal and installation of the driver plate.

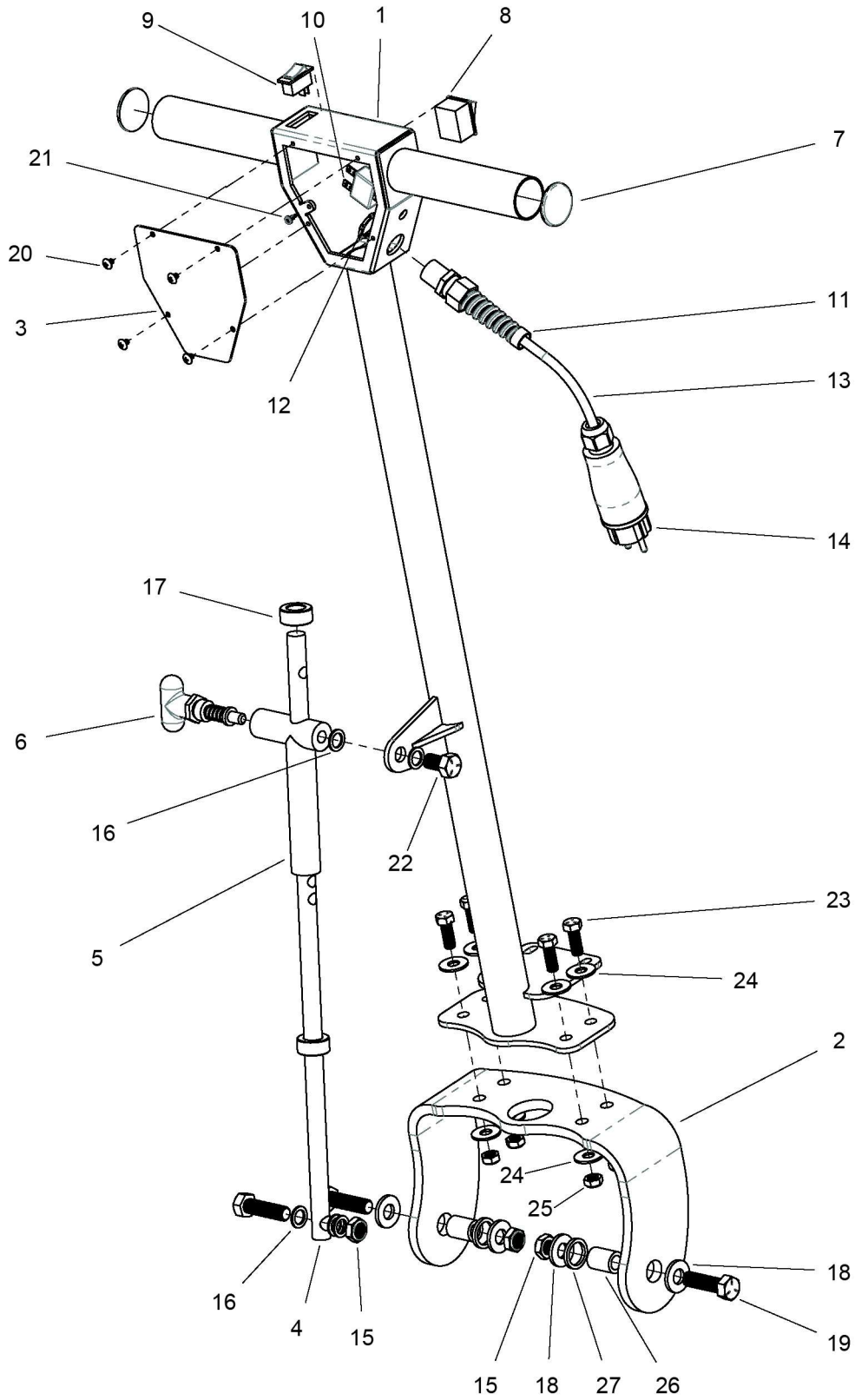
! AVERTISSEMENT:

Assurez-vous que les vis sont bien serrées. Même un léger desserrement des vis peut endommager le disque à face de préhension. Assurez-vous que les quatre trous au milieu du disque à face de préhension sont alignés avec les vis situées sur la plaque d'entraînement. Un alignement exact permet de retirer et d'installer facilement la plaque d'entraînement.

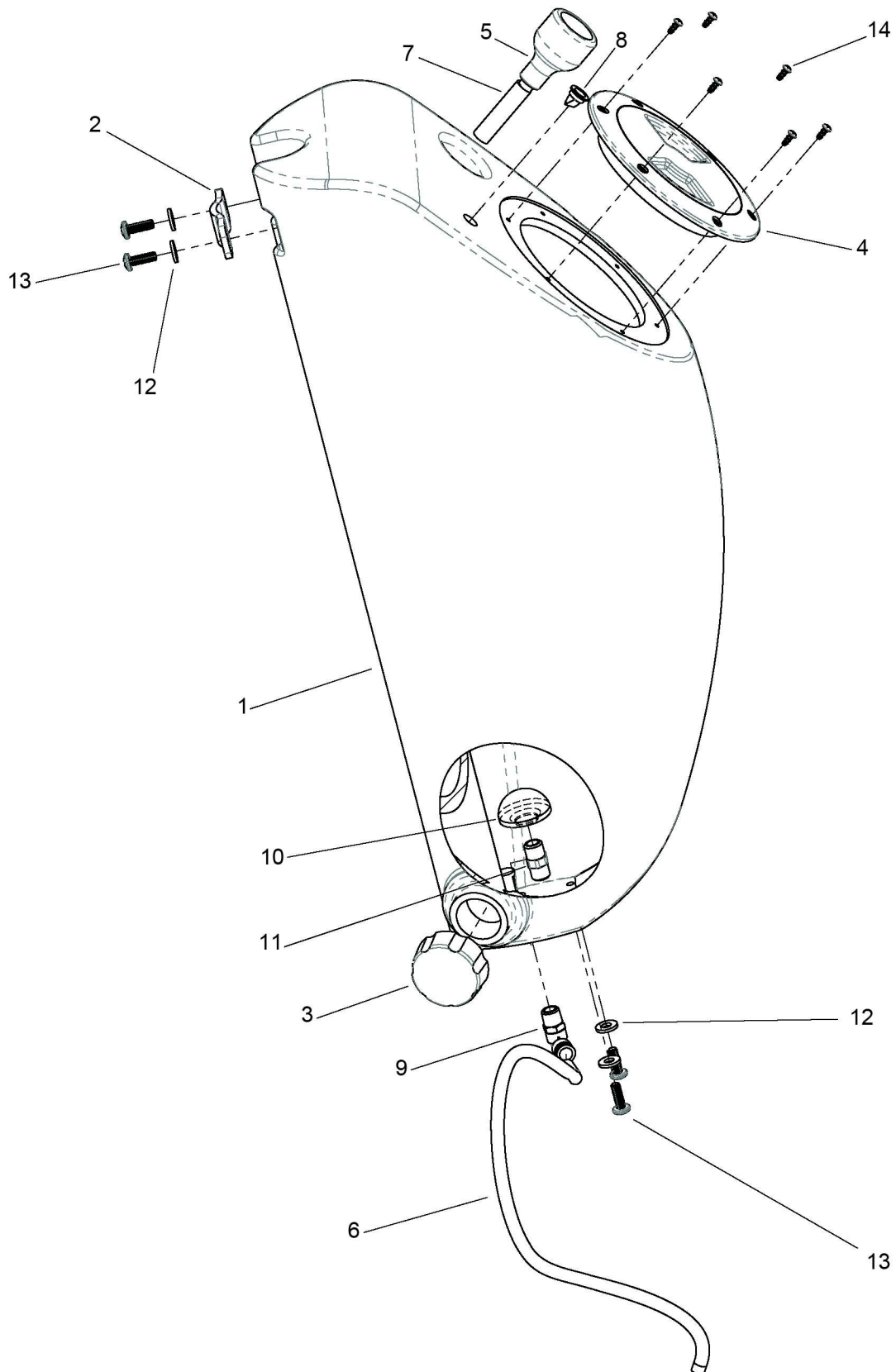
Parts

RADIANT ORBITAL SCRUBBER

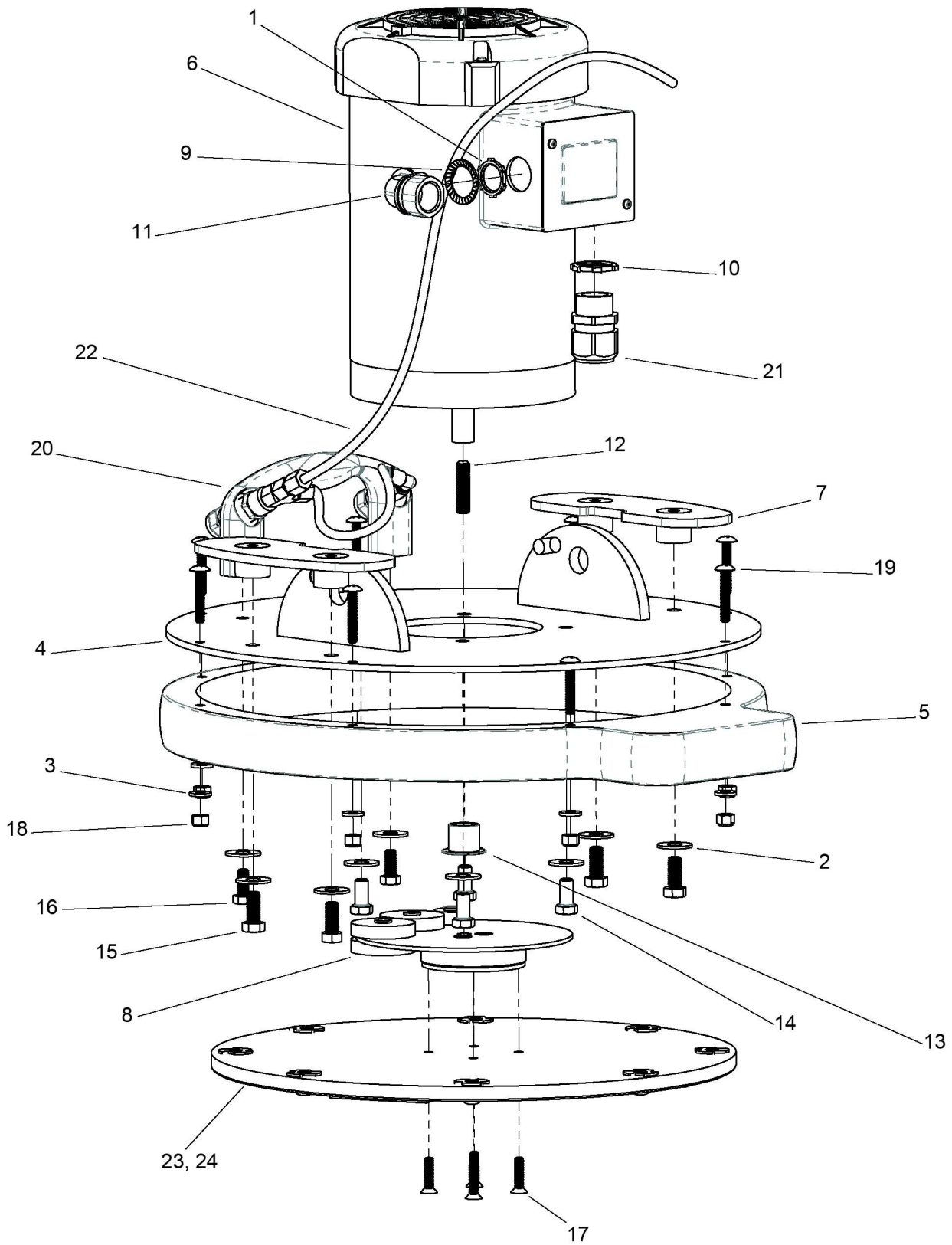
1.005-297.0



REF	PART NO.	QTY	DESCRIPTION	NOTES
1	86388570	1	WELD ASSY, HANDLE	
2	86388580	1	FORK	
3	86388590	1	COVER, ELECTRICAL BOX	
4	86388600	1	ROD, HANDLE ADJUST	
5	86388610	1	WELD ASSY, PULL LATCH	
6	86388620	1	PULL LATCH	
7	86388630	2	COVER, TUBE HANDLE, 1.5 DIA	
8	86388640	1	SWITCH, DP POS, ROCKER	
9	86388650	1	SWITCH, DP, 2POS, ROCKER SPR	
10	86388660	1	BREAKER, 20A 125/250VAC 32VDC	
11	86388670	1	STRAIN RELIEF, POWER CORD	
12	86388680	1	LOCK NUT, E PANEL, .5-14 NPSM, ZNPLT	
13	86388690	1	POWER CORD, 3 CABLE, GRAY	
14	86388710	1	PLUG, MALE, US 115V	
15	86388720	3	HEX NUT, LOCK, .5-13 X .75W X .312H	
16	86388730	5	WASHER, NYLON, .50 ID X .75 OD X .06 T	
17	86388740	2	SHAFT COLLART, SET SCREW, .63 ID X 1.13 OD X .5 T, ZNPLT	
18	86388750	4	WASHER, PLASTIC, .500 X .125 X 1.125OD	
19	86388760	3	ZINC PLATED, 1/2"-13. 1-3/4" LONG	
20	86388770	4	SCREW, THPM, 8-32 X .25, ZNPLT	
21	86388780	1	SCREW, PHP, DRILLING, 6-20 X .38,ZNPLT	
22	86388790	1	SCREW, HEX CAP, .500-13 X .875L	
23	86388800	4	ZINC PLATED, 3/8"-16 THREAD, 1" LONG	
24	86388810	8	WASHER, FLAT .38 X .06T X 1.0 OD, STL, ZNPLT	
25	86388820	4	ZINZ PLATED, 3/8"-16 THREAD	
26	86388830	2	ARMS PLASTIC BUSHING 1.00 LENGTH	
27	86388840	2	NYLON PLASTIC WASHER 0.812" ID, 1.057" OD	

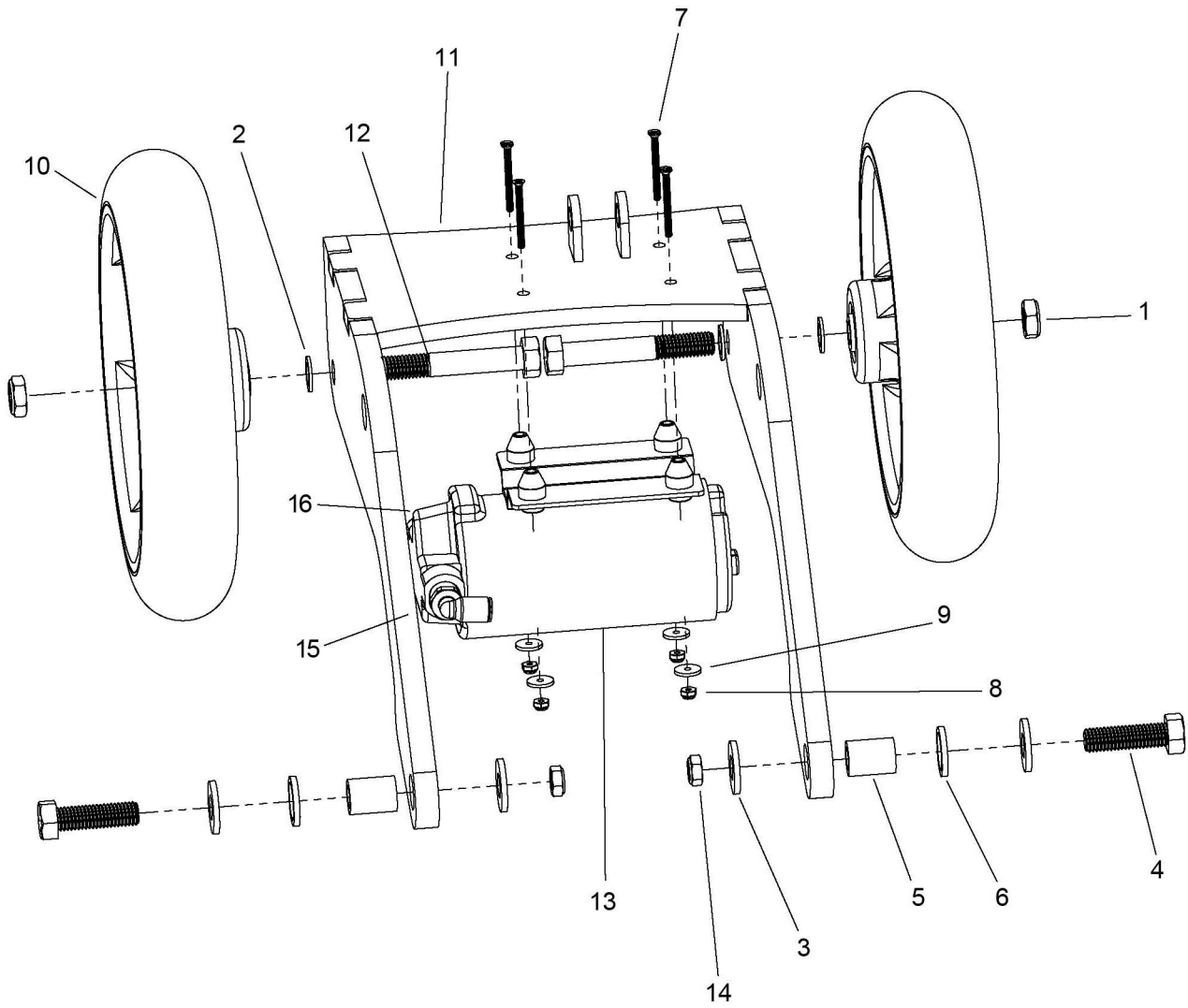


REF	PART NO.	QTY	DESCRIPTION	NOTES
1	86388850	1	TANK	
2	86388860	1	BRACE, TANK	
3	86388870	1	CAP, DRAIN, 2"	
4	86388880	1	CAP, DECK PLATE, 6"	
5	86388890	1	FAUCET FILL	
6	86388900	1	TUBING, .375 OD X .25 ID, BLACK	
7	86388910	1	TUBING, FAUCET FILL, 26 INCH	
8	86388920	1	VALVE, DUCKBILL	
9	86388930	1	FITTING, ELBOW, SWIVEL, .25 NPT X .38 OD, NICKEL PLATE	
10	86388940	1	STRAINER, FILTER	
11	86388950	1	VALVE, MALE, CONNECTOR .53 DIA	
12	86388960	4	WASHER, FLAT, .25 ID X .625 OD X .06 THK	
13	86388970	4	1/4"-20 THREAD 3/4" LONG	
14	86388980	6	ROUNDED HEAD THREAD-FORMING SCREW	



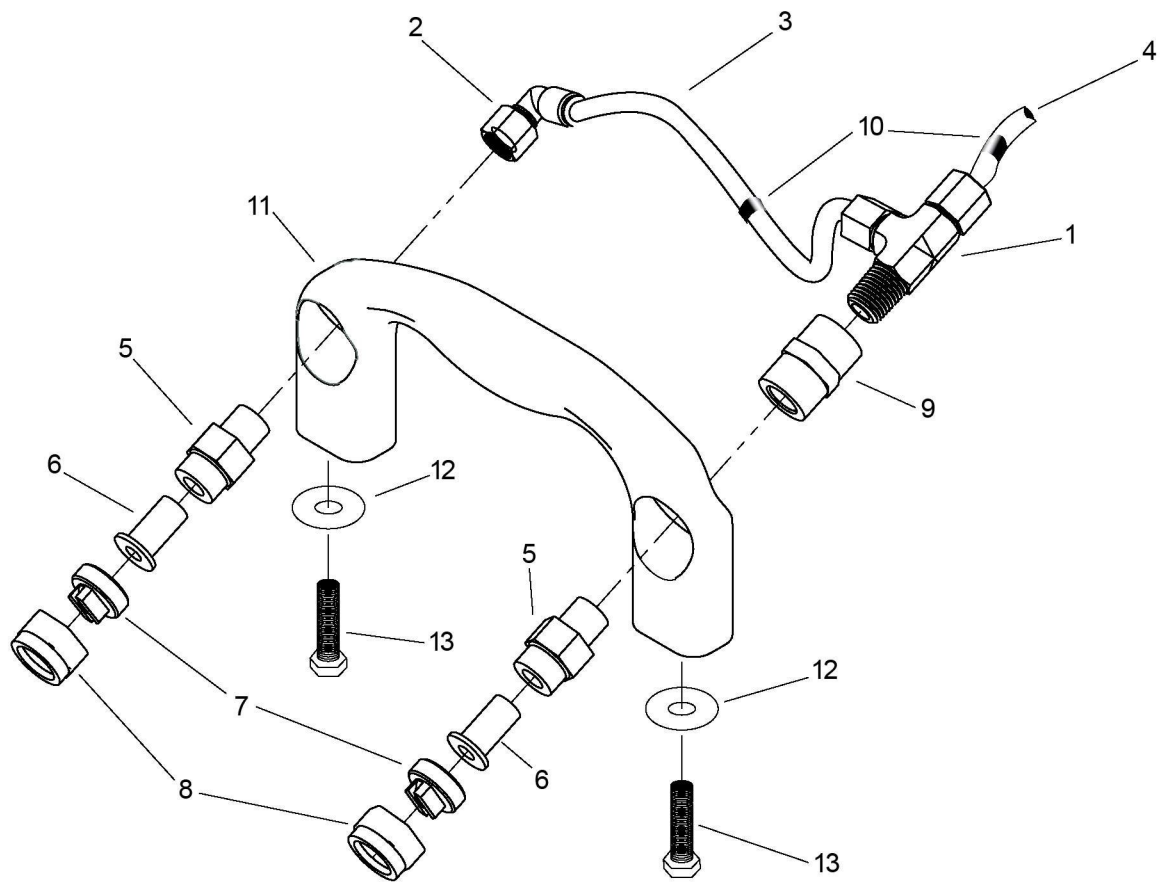
REF	PART NO.	QTY	DESCRIPTION	NOTES
1	86388680	1	LOCK NUT, E PANEL, .5-14 NPSM, ZNPLT	
2	86388810	10	WASHER, FLAT .38 X .06T X 1.0 OD, STL, ZNPLT	
3	86388960	8	WASHER, FLAT, .25 ID X .625 OD X .06 THK	
4	86388990	1	WELD BASE ASSY	
5	86389000	1	BUMPER, 17 INCH	
6	86389010	1	MOTOR, 1HP	
7	86389020	2	WELD ASSY, SPACER PLATE	
8	86389030	1	ASSY, COUNTERWEIGHT	
9	86389040	1	"WASHER, BELLEVILLE, LOCK, .9 ID X 1.3 OD X .06 T, BLK"	
10	86389050	1	LOCK NUT, E PANEL, .75-14 NPSM, ZNPLT	
11	86389060	1	ELBOW, ELECTRICAL BOX, MOTOR	
12	86389070	1	SCREW, SOCKET SET, .38-24 X 1.50 STL CUP POINT BLK OX	
13	86389080	1	SHAFT SUPPORT	
14	86389090	4	SCREW, HEX HEAD, .38-16 X .75, STL, GRD8, YL ZNPLT	
15	86389100	4	SCREW, HEX CAP, .38-16 X .88, STL, GRD5, ZNPLT	
16	86389110	2	SCREW, HEX CAP, .312-18 x .75, ZNPLT	
17	86389120	4	SCREW, FHPM, .25-20 X 1.0, ZNPLT	
18	86389130	8	HEX NUT, LOCK, .25-20 X .438W X .313H, ZNPLT	
19	86389140	8	SCREW, THPM, .25-20 X 1.5, 18-8 SST	
20	86389150	1	HANDLE SPRAYERS ASSY	
21	86389160	1	WIRE MOUNT, ELECTRICAL BOX, MOTOR	
22	86389170	1	HANDLE SPRAYERS BACK HOSE	
23	86389180	1	17" UNIVERSAL DRIVER KIT	
24	86435090	1	17" MULTIFLOOR DRIVER REPLMT VELCRO PLAT	

Frame, Wheels, & Pump



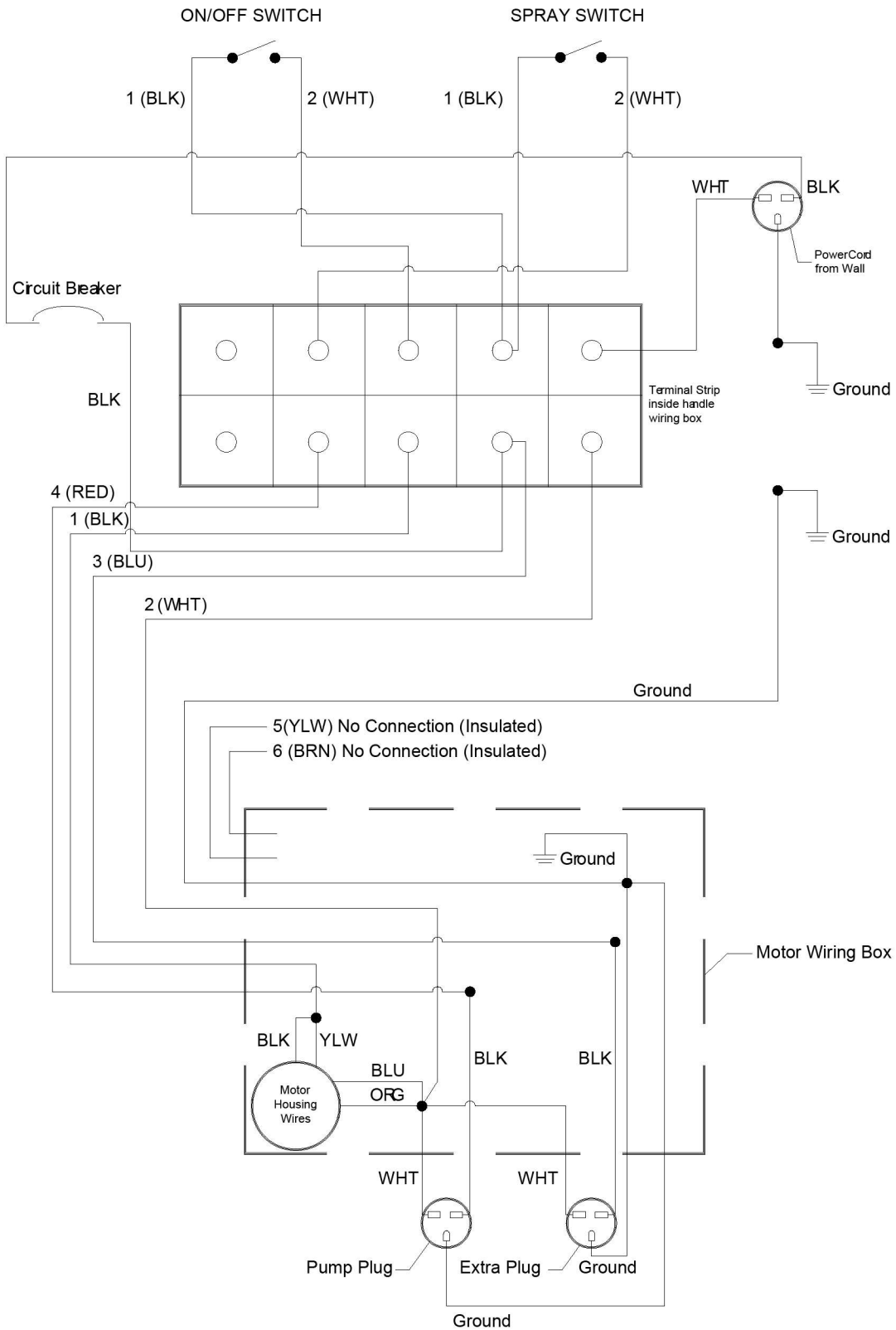
REF	PART NO.	QTY	DESCRIPTION	NOTES
1	86388720	2	HEX NUT, LOCK, .5-13 X .75W X .312H	
2	86388730	4	WASHER, NYLON, .50 ID X .75 OD X .06 T	
3	86388750	4	WASHER, PLASTIC, .500 X .125 X 1.125OD	
4	86388760	2	ZINC PLATED, 1/2"-13. 1-3/4" LONG	
5	86388830	2	ARMS PLASTIC BUSHING 1.00 LENGTH	
6	86388840	2	NYLON PLASTIC WASHER 0.812" ID, 1.057" OD	
7	86389200	4	6-32 THREAD SIZE, 1-1/2" LENGTH	
8	86377210	4	NUT 6-32, HEX NYLOCK STL ZNPLT	
9	86377200	4	WASHER, PUMP MOUNT	
10	86389230	2	WHEEL, 10"	
11	86389240	1	WELD ASSY TABS, BASE FRAME	
12	86389250	2	SCREW, HEX CAP, .5-13 X 3.25, GRD 5, ZNPLT	
13	86376610	1	PUMP, 90 PSI, 120V	
14	86389280	2	HEX NUT, LOCK, .38-16 X .563W, .266H, ZNPLT	
15	86376690	1	FITTING, GUEST, 90 DEG	
16	86389300	1	FITTING, ELBOW 90 1/4"	

Spray Handle



REF	PART NO.	QTY	DESCRIPTION	NOTES
1	86376750	1	FITTING, TEE, SPRAY NOZZLES	
2	86376760	1	FITTING, 90 , SPRAY NOZZLES	
3	86376770	1	HOSE, SPRAY NOZZLES	
4	86376780	1	HOSE, SPRAY NOZZLES CAGE	
5	86376810	1	COUPLER, FILTER	
6	86375100	1	STRAINER, CHECK VALVE	
7	86376820	2	NOZZLE, SPRAYER	
8	86376830	2	NOZZLE RETAINER	
9	86376840	1	COUPLER, NOZZLE BASE PLATE	
10	86377390	2	SLEEVE, COMPRESSION FITTING	
11	86389410	1	SPRAY HANDLE	
12	86388810	2	WASHER, FLAT .38 X .06T X 1.0 OD	
13	86389110	2	SCREW, HEX CAP 312-18 X .875 ZNPLT	

Wiring Diagram



Suggested Spare Parts

REF	PART NO.	QTY	DESCRIPTION	NOTES
-	86388640	-	SWITCH, DP POS, ROCKER	
-	86388650	-	SWITCH, DP, 2POS, ROCKER SPR	
-	86388660	-	BREAKER, 20A 125/250VAC 32VDC	
-	86388940	-	STRAINER, FILTER	
-	86375110	-	ASSY, BEARING, 17 DISK	
-	86389360	-	STRAINER, CHECK VALVE	
-	86389370	-	NOZZLE, SPRAYER	
-	86389380	-	NOZZLE, RETAINER	

