

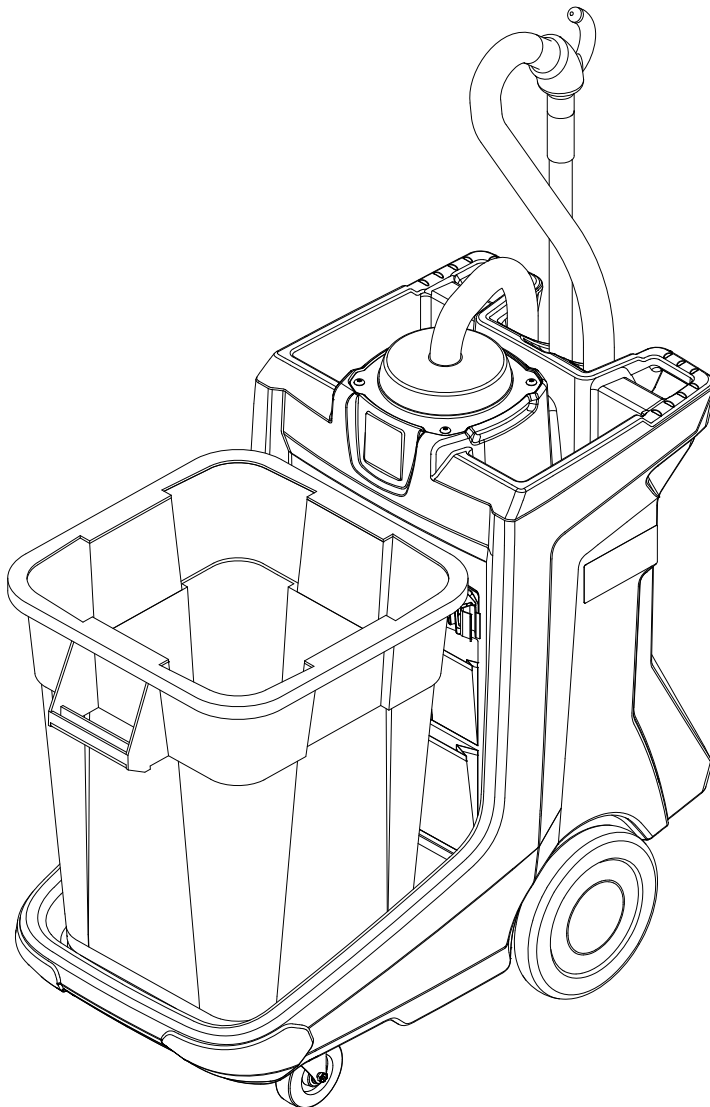
ECO! T11 Bp LINER

KÄRCHER

Cleaning Cart with Vacuum

Operating Instructions (ENG)

MODELS: 1.013-100.0
 1.013-101.0
 1.013-103.0



86405760-G 08/22/17

Model: _____

Date of Purchase: _____

Serial Number: _____

Dealer: _____

Address: _____

Phone Number: _____

Sales Representative: _____

Overview

The ECO! T11 Bp Liner is a multi-functional cleaning machine intended for commercial use.

Warranty Registration

Thank you for purchasing a Kärcher North America product. Warranty registration is quick and easy. Your registration will allow us to serve you better over the lifetime of the product.

To register your product go to :

<http://warranty.karcherna.com/>

For customer assistance:

1-800-444-7654

KÄRCHER

Machine Data Label2
 Overview2
Table of Contents3
How To Use This Manual4

Safety

IMPORTANT SAFETY INSTRUCTIONS5
 HAZARD INTENSITY LEVEL7
 Safety Labels9
 Grounding Instructions10

Operations

Technical Specifications12
 How the Machine Works14
 Components/Controls15
 Control Panel16
 Equipment Set Up17
 Charging the Machine17
 Vacuum Bags17
 Vacuum Accessories17

Maintenance

Daily Maintenance18
 Service Schedule20
 Battery Maintenance22
 Charging Batteries24
 Changing Batteries27
 Delta Q IC650 Charger Maintenance Instructions .27
 Delta Q IC650 Charger Operating Instructions . . .28
 Charge Tracking Data31
 Suggested Spare Parts32

How To Use This Manual

This manual contains the following sections:

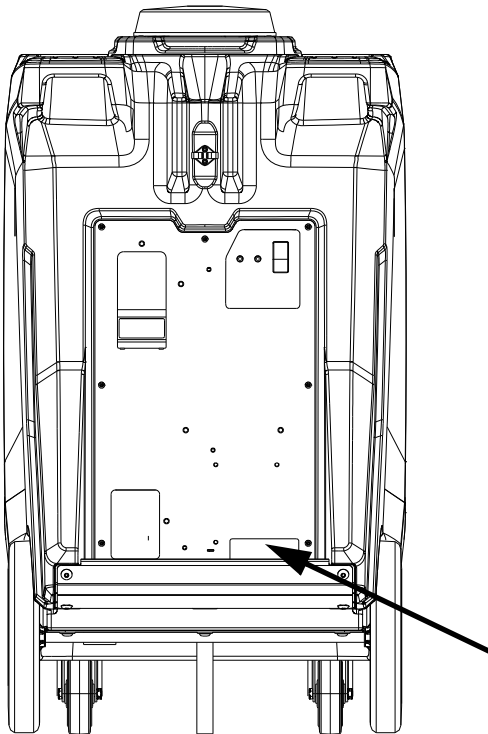
- How to Use This Manual
- Safety
- Operations
- Maintenance

The HOW TO USE THIS MANUAL section will tell you how to find important information for ordering correct repair parts.

Parts may be ordered from authorized dealers. When placing an order for parts, the machine model and machine serial number are important. Refer to the MACHINE DATA box which is filled out during the installation of your machine. The MACHINE DATA box is located on the inside of the front cover of this manual.

Model:	_____
Date of Purchase:	_____
Serial Number:	_____
Dealer:	_____
Address:	_____
Phone Number:	_____
Sales Representative:	_____

The model and serial number of your machine is located on the back of the machine.



The SAFETY section contains important information regarding hazardous or unsafe practices of the machine. Levels of hazards are identified that could result in product damage, personal injury, or severe injury resulting in death.

The OPERATIONS section is to familiarize the operator with the operation and function of the machine.

The MAINTENANCE section contains preventive maintenance information to keep the machine and its components in good working condition. They are listed in this general order:

- Storage
- Maintenance
- Troubleshooting

NOTE: If a service or option kit is installed on your machine, be sure to keep the KIT INSTRUCTIONS which came with the kit. It contains replacement parts numbers needed for ordering future parts.

NOTE: The manual part number is located on the lower right corner of the front cover.

IMPORTANT SAFETY INSTRUCTIONS

**When using this machine, basic precaution
must always be followed, including the following:
READ ALL INSTRUCTIONS BEFORE USING THIS MACHINE.**

⚠ WARNING: To reduce the risk of fire, electric shock, or injury:

- Connect to a properly grounded outlet. See Grounding Instructions.
- Do not leave the machine unattended. Unplug machine from outlet when not in use and before maintenance or service.
- Use only in enclosed areas. Do not use outdoors and do not leave it in the rain/snow.
- Use only indoors. This machine is for dry use only.
- Do not allow machine to be used as a toy. Close attention is necessary when used by or near children.
- Do not point vacuum nozzle at people.
- Use only as described in this manual. Use only manufacturer's recommended components and attachments.
- Do not use damaged electrical cord or plug. Follow all instructions in this manual concerning grounding the machine. If the machine is not working properly, has been dropped, damaged, left outdoors, or dropped into water, return it to an authorized service center.
- Do not pull or carry machine by electrical cord, use as a handle, close a door on cord, or pull cord around sharp edges or corners.
- Do not run machine over cord. Keep cord away from heated surfaces.
- Do not unplug machine by pulling on cord. To unplug, grasp the electrical plug, not the electrical cord.
- Do not handle the electrical plug or machine with wet hands.
- Do not operate the machine with any openings blocked. Keep openings free of debris that may reduce airflow.
- Do not vacuum anything that is burning or smoking, such as cigarettes, matches, or hot ashes.
- This machine is not suitable for picking up health endangering dust.
- Turn off all controls before unplugging.
- Do not operate this machine near flammable fluids, dust or vapors.
- Maintenance and repairs must be done by qualified personnel.
- Use AGM or Gel Batteries Only. Use of other batteries may result in operator injury.
- Machine must be plugged in for charging.
- Keep hair, clothing, loose jewelry, fingers and all parts of body away from openings and moving parts.
- Do not use without dust bag and/or filter in place.

READ AND SAVE THESE INSTRUCTIONS

CONSIGNES DE SÉCURITÉ IMPORTANTES

**Lors de l'utilisation de cette machine, des précautions de base doivent toujours être prises, y compris les précautions suivantes :
LIRE TOUTES LES INSTRUCTIONS AVANT D'UTILISER CETTE MACHINE.**

⚠ AVERTISSEMENT: Pour réduire le risque d'incendie, d'électrocution ou de blessure :

- Raccordez l'appareil à une prise adéquatement reliée à la terre. Voir les Consignes de mise à la terre.
- Ne laissez pas l'appareil sans surveillance lorsqu'il est branché. Débranchez l'appareil lorsqu'il n'est pas utilisé et avant tout entretien.
- Utilisez-le exclusivement dans des endroits fermés. Ne l'utilisez pas en plein air et ne le laissez pas sous la pluie/neige.
- Utilisez-la uniquement à l'intérieur. Cette machine est conçue pour un usage à sec uniquement.
- Ne pas permettre aux enfants de jouer avec l'appareil. Durant la manœuvre de la machine, prendre garde aux personnes environnantes et notamment aux enfants.
- Ne pas diriger le pistolet vers les gens.
- Utilisez-le exclusivement de la manière décrite dans ce manuel. Utilisez exclusivement les composants et les fixations recommandés par le fabricant.
- N'utilisez pas l'appareil si le cordon ou la fiche est endommagé(e). Observez toutes les consignes figurant dans ce manuel au sujet de la mise à la terre de l'appareil. Si l'appareil ne fonctionne pas correctement, s'il est tombé par terre, s'il est endommagé, s'il a été laissé dehors ou s'il a été plongé dans l'eau, veuillez le renvoyer à un centre d'entretien agréé.
- Ne tirez pas sur le cordon, ne portez pas l'appareil par le cordon, n'utilisez pas le cordon comme poignée, ne fermez pas une porte sur le cordon, ne tirez pas sur le cordon dans des angles ou des coins pointus.
- Ne faites pas passer l'appareil par-dessus le cordon. Maintenez le cordon à l'écart de surfaces chauffées..
- Ne débranchez pas l'appareil en tirant sur le cordon. Pour le débrancher, empoignez la fiche, non pas le cordon.
- Ne manipulez pas la fiche ou l'appareil les mains mouillées.
- Ne faites pas fonctionner l'appareil si des ouvertures sont bouchées. Dégagez des ouvertures tous débris susceptibles d'entraver le passage de l'air.
- Ne pas ramasser quelque chose qui brûle ou fume, comme des cigarettes, des allumettes ou des cendres chaudes.
- Cet appareil n'est pas conçu pour aspirer des poussières dangereuses.
- Arrêtez toutes les commandes avant le débranchement.
- Ne faites pas fonctionner cet appareil à proximité de fluides, de poussières ou de vapeurs inflammables.
- Les travaux de maintenance et de réparation doivent absolument être effectués par du personnel qualifié.
- Utilisez uniquement des batteries Gel ou AGM. L'utilisation d'autres batteries peut blesser l'opérateur.
- La machine doit être branchée pour la recharge.
- Éloigner les cheveux, les vêtements, les bijoux flottants, les doigts et toutes les parties du corps des ouvertures et des pièces mobiles.
- Ne pas utiliser l'appareil si le filtre ou le sac à poussière n'est pas en place.

LIRE ET CONSERVER CES INSTRUCTIONS

HAZARD INTENSITY LEVEL

The following symbols are used throughout this guide as indicated in their descriptions:

There are three levels of hazard intensity identified by signal words -**WARNING** and **CAUTION** and **FOR SAFETY**. The level of hazard intensity is determined by the following definitions:

WARNING:

WARNING - Hazards or unsafe practices which **COULD** result in severe personal injury or death.

CAUTION:

CAUTION - Hazards or unsafe practices which could result in minor personal injury or product or property damage.

FOR SAFETY: To Identify actions which must be followed for safe operation of equipment.

Report machine damage or faulty operation immediately. Do not use the machine if it is not in proper operating condition. Following is information that signals some potentially dangerous conditions to the operator or the equipment. Read this information carefully. Know when these conditions can exist. Locate all safety devices on the machine. Please take the necessary steps to train the machine operating personnel.

FOR SAFETY:

DO NOT OPERATE MACHINE:

Unless Trained and Authorized.

Unless Operation Guide is Read and understood.

In Flammable or Explosive areas.

In areas with possible falling objects.

WHEN SERVICING MACHINE:

Avoid moving parts. Do not wear loose clothing; jackets, shirts, or sleeves when working on the machine. Use approved replacement parts.

WARNING:

Batteries emit hydrogen gas. Explosion or fire can result. Keep sparks and open flame away. Keep sparks and flames away from the batteries. Do not smoke around batteries.

WARNING:

Disconnect batteries before working on machine. Only qualified personnel should work inside machine. Always wear eye protection and protective clothing when working on or near batteries. Avoid skin contact with the acid contained in the batteries.

WARNING:

Never allow metal to lie across battery tops.

Les symboles ci-dessous sont utilisés à travers ce manuel comme illustré dans leurs descriptions :

DEGRÉS DE RISQUES EN CAS DE DANGER

Il existe trois degrés de risques identifiés par les termes signalétiques -AVERTISSEMENT et ATTENTION et POUR VOTRE SÉCURITÉ. Le degré de risque est défini de la manière suivante:

⚠ AVERTISSEMENT:

AVERTISSEMENT - Dangers ou méthodes dangereuses qui POURRAIENT provoquer de graves blessures ou entraîner la mort.

⚠ ATTENTION:

ATTENTION - Dangers ou méthodes dangereuses qui pourraient provoquer des blessures légères ou une détérioration du produit ou des biens immobiliers.

POUR VOTRE SÉCURITÉ: ce signe permet d'identifier les mesures de précaution à prendre pour assurer un bon fonctionnement du matériel.

Rendre compte immédiatement d'une défaillance ou d'une détérioration de la machine. Ne pas utiliser la machine si celle-ci ne fonctionne pas correctement. Lire soigneusement les informations ci-dessous signalant certains dangers potentiels pour l'opérateur de la machine. L'opérateur doit être absolument au courant de ces dangers potentiels. Localiser tous les dispositifs de sécurité sur la machine. Il est conseillé de prendre les mesures nécessaires pour former le personnel opérateur.

POUR VOTRE SÉCURITÉ:

NE PAS MANOEUVRER LA MACHINE:

- Lorsqu'on n'est pas expérimenté ou qualifié.
- Lorsque le guide d'utilisation n'est pas été lu ou compris.
- Dans des zones inflammables ou explosives.
- Dans des zones où des objets peuvent tomber.

LORS DE L'ENTRETIEN DE LA MACHINE:

Éviter les parties amovibles. Ne pas porter de vêtements amples, tels que des vestes, des chemises ou des vêtements avec manches lors de l'utilisation de la machine. Utiliser les pièces détachées Windsor homologuées.

⚠ AVERTISSEMENT:

Les batteries émettent le gaz d'hydrogène. L'explosion ou le feu peut résulter. Étincelles de subsistance et flamme nue loin. Étincelles et flammes de subsistance loin des batteries. Ne fumez pas autour des batteries.

⚠ AVERTISSEMENT:

Déconnecter les batteries avant de travailler sur la machine. La machine ne doit être confiée qu'à un personnel qualifié. Porter systématiquement des lunettes et des vêtements de protection lors d'une intervention sur les batteries ou aux alentours. Éviter tout contact de la peau avec l'acide contenu dans les batteries.

⚠ AVERTISSEMENT:

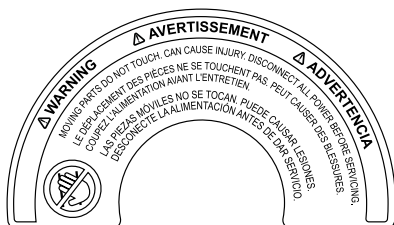
Ne jamais placer d'objets métalliques sur le dessus des batteries.

Safety Labels

NOTE: These drawings indicate the location of safety labels on the machine. If at any time the labels become illegible, promptly replace them.

EMPLACEMENT DE L'ÉTIQUETTE DE SÉCURITÉ

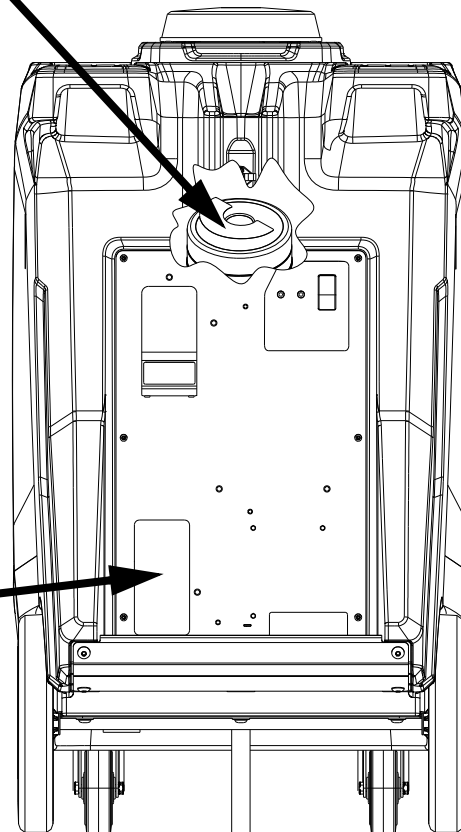
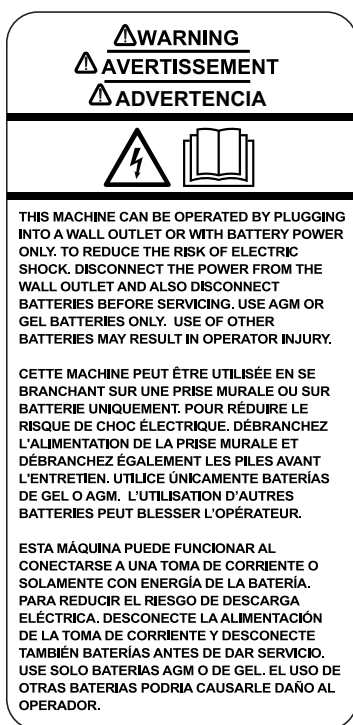
REMARQUE : Ces dessins indiquent l'emplacement des étiquettes de sécurité sur la machine. Si, à tout moment, les étiquettes deviennent illisibles, contactez votre représentant autorisé pour un remplacement rapide



8.641-103.0

LABEL, WARNING, VACUUM

8.640-248.0
 LABEL, WARNING, ELEC SHOCK



Electrical

In the USA this machine operates on a standard 15 amp 115 volt A.C. power circuit. The amp, hertz, and voltage are listed on the data label found on each machine. Using voltages above or below those indicated on the data label will cause serious damage to the motor and electrical components.

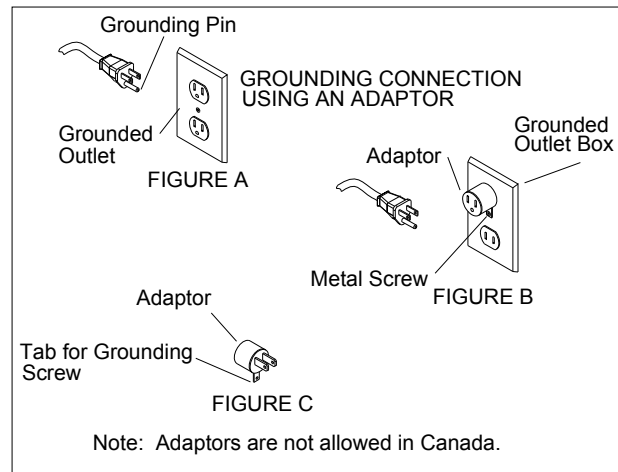
Extension Cords

If an extension cord is used, the wire size must be at least one size larger than the power cord on the machine, and must be limited to 50 feet (15.5m) in length.

Grounding Instructions

This appliance must be grounded. If it should malfunction or breakdown, grounding provides a path of least resistance for electric current to reduce the risk of electric shock. This appliance is equipped with a cord having an equipment-grounding conductor and grounding plug. The plug must be inserted into an appropriate outlet that is properly installed and grounded in accordance with all local codes and ordinances.

This appliance is for use on a nominal 120-volt circuit, and has a grounded plug that looks like the plug illustrated in sketch A. A temporary adapter looks like adapter illustrated in sketches B and C, may be used to connect this plug to a 2-pole receptacle as shown in sketch B if a properly grounded outlet is not available. The temporary adapter should be used only until a properly grounded outlet (sketch A) can be installed by a qualified electrician. The green colored rigid ear, lug or the like extending from the adapter must be connected to a permanent ground such as a properly grounded outlet box cover. Whenever the adapter is used, it must be held in place by a metal screw



NOTE: In Canada, the use of a temporary adapter is not permitted by the Canadian Electrical Code.

⚠ WARNING:

Improper connection of the equipment-grounding conductor can result in a risk of electric shock. Check with a qualified electrician or service person if you are in doubt as to whether the outlet is properly grounded. Do not modify the plug provided with the appliance - if it will not fit the outlet, have a proper outlet installed by a qualified electrician.

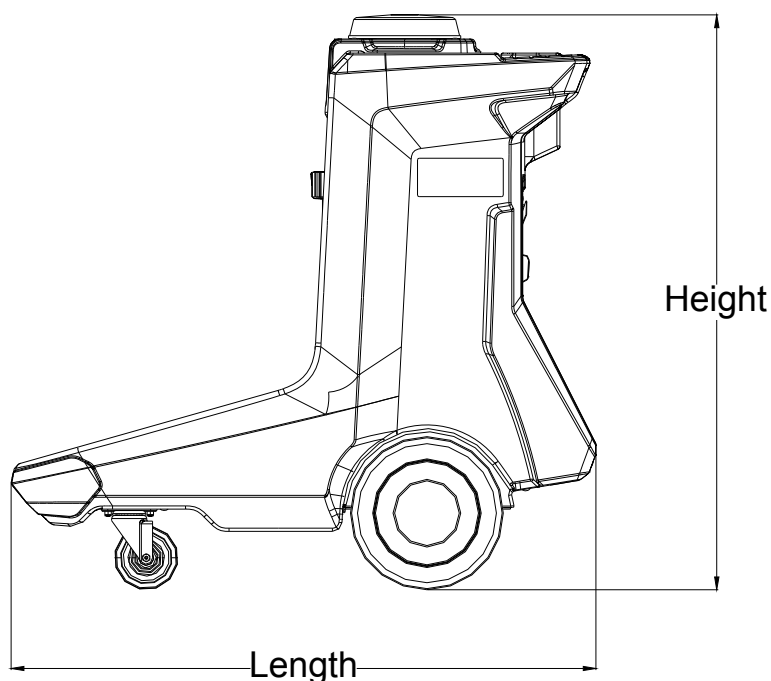
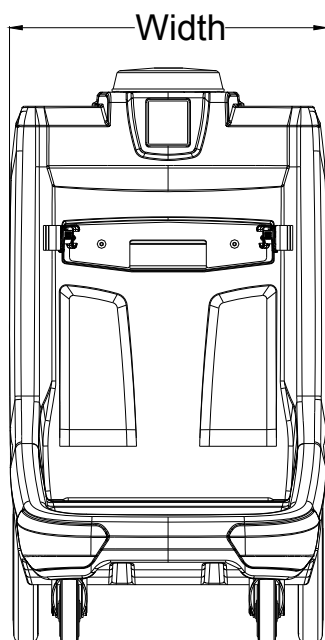
⚠ AVERTISSEMENT:

Une connexion incorrecte du conducteur de mise à la terre de l'équipement peut entraîner une électrocution. En cas de doute sur la mise à la terre de la prise murale, vérifier, avec un électricien qualifié ou un technicien d'entretien. Ne pas modifier la fiche fournie avec l'appareil- Si elle ne correspond pas à la prise murale, faire installer une prise appropriée par un électricien qualifié.

Technical Specifications

ITEM	DIMENSION/CAPACITY
Electrical	115 VAC, Internally Powered with 36 VDC (3 - 12V Batteries)
Electric Vacuum Motor	36 VDC, 500W
Water Lift	65 Inches
Vacuum Bag Capacity	10 Qt
Air Flow	85 CFM
Power Cable	20ft (7.62m) 18 gauge
Wheels	
Front (2)	5in Dia. (12.7cm) x 1.5
Rear (2)	12in Dia. (30.48cm) x 1.75

ITEM	MEASURE	
Weight	180 lbs (82kg) for 1.013-100.0	194 lbs (88 kg) for 1.013-101.0
Length	46 in (1168mm)	
Height	43 in (1092mm)	
Width	25in (635mm)	



! CAUTION:

This appliance is not intended for use by persons (including children) with reduced physical, sensory or mental capabilities, or lack of experience and knowledge, unless they have been given supervision or instruction concerning use of the appliance by a person responsible for their safety. Children should be supervised to ensure that they do not play with the appliance.

! ATTENTION:

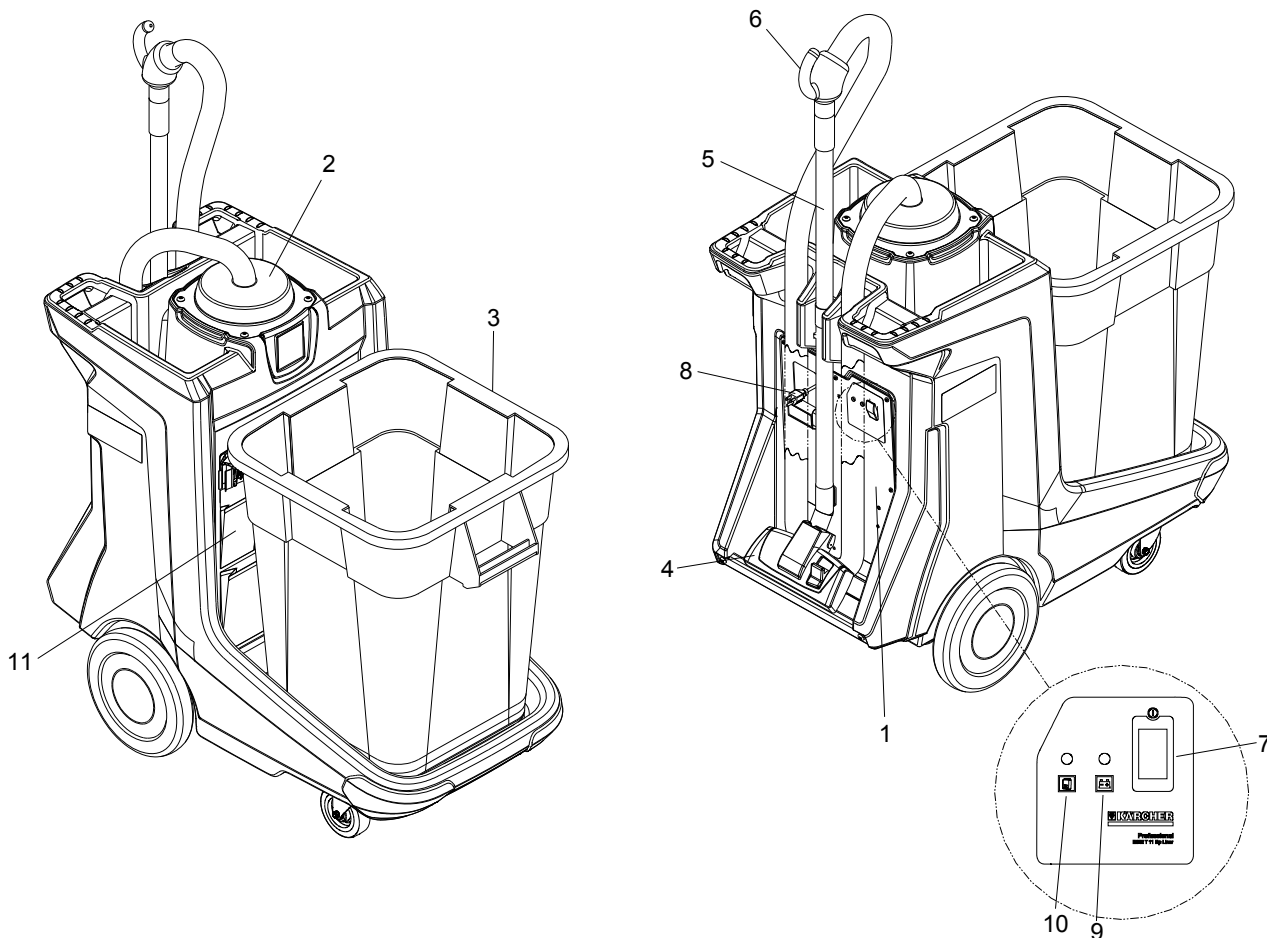
Cet appareil n'est pas prévu à l'usage des personnes (enfants y compris) avec des possibilités physiques, sensorielles ou mentales réduites, ou le manque d'expérience et de connaissance, à moins qu'ils aient été donnés la surveillance ou l'instruction au sujet de l'utilisation de l'appareil par une personne chargée de leur sûreté. Des enfants devraient être dirigés pour s'assurer qu'ils ne jouent pas avec l'appareil.

How the Machine Works

The ECO! T11 Bp Liner is a multi-functional cleaning machine intended for commercial use. It can be used as a mobile station that can be placed in a convenient area to provide vacuum cleaning of floors and surfaces with a variety of cleaning attachments. It also provides garbage collection and convenient storage of utensils and supplies for general surface cleaning.

The machine's primary systems are:

- High-efficiency vacuum with on-board 20 ft. 4:1 vacuum stretch hose
- Various vacuum accessory attachments
- A 40 Gal. trash container
- Various on-board handle, utensil, bottle and supply storage locations.



Components/Controls

- 1. Control Panel
- 2. Vacuum Chamber Lid
- 3. Trash Container
- 4. Vacuum Floor Tool
- 5. Telescoping Wand
- 6. Vacuum Handle
- 7. On/Off Switch
- 8. Battery Charger Cord
- 9. Battery Status Indicator LED
- 10. Bag Full Indicator LED
- 11. Supply Storage (Optional)

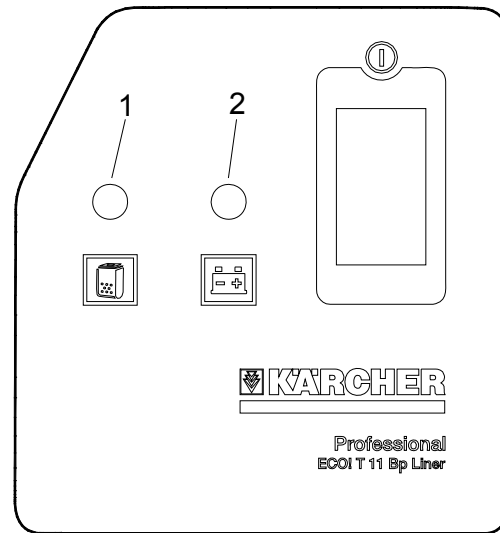
Control Panel

The on/off switch is located on the upper right side of the control panel

There are two indicator lights on the control panel:

1. Bag Full Indicator LED:

Vacuum Motor	LED
Off	Off
On	Solid Green
Bag Almost Full	Solid red.
Bag Full	Machine shuts down, stays solid red for 10 seconds.



2. Battery Indicator LED:

NOTE: If the battery is dead, the vacuum motor will not turn on until the charger is plugged in. If the operator tries to turn on the machine when the battery is dead, without plugging in the charger, the light will turn solid red for 10 seconds.

Battery Indicator LED Table			
LED	Vacuum Motor	Charger	Battery
Off	Off	Unplugged	No Activity
Double Blink Green	On or Off	Plugged In	Charging
Solid Green/ Off	Off	Plugged In	Charged
Solid Green	On	Unplugged	>40% Charge
Slow Blinking Green	On	Unplugged	Between 30% and 40% Charge
Fast Blinking Green	On	Unplugged	Between 20% and 30% Charge
Solid Red	On	Unplugged	Low Charge or Dead Battery

Equipment Set Up

Charging the Machine

Ensure that the machine has a fully charged battery pack. Pull the coiled extension cord from its storage box, plug the cord termination into a grounded wall outlet.

When the machine is first plugged in, the control panel battery status light will double-flash green. This indicates that the battery charger is connected to external power and is properly charging the batteries. The charge cycle is complete when the battery status indicator light is solid green.

NOTE: A full battery charge cycle will take approximately 8 hours.

Test that the machine is charged. Turn the machine on by pressing and releasing the power switch located on the upper right of the control panel. Turn the machine off during transport to the work location.

NOTE: If the machine has a full battery charge and does not operate once the on/off switch is engaged it will be necessary to call a qualified Service Technician.

Vacuum Bags

FOR SAFETY: Turn off vacuum before changing filter bags.

For easy vacuum bag replacement and optimum vacuum system performance disposable paper vacuum bags and a re-usable cloth bag liner are provided. Install a suitable vacuum bag (disposable paper) and clean vacuum bag liner (re-usable cloth) from the top of the vacuum enclosure. There is also a second stage filter at the bottom of the vacuum chamber.

1. Twist the vacuum enclosure cover counter-clockwise and lift.
2. Remove and discard the full paper bag.
3. To minimize soil build-up, remove and shake out the cloth bag each time the paper bag is replaced.
4. Place the new paper vacuum bag inside of the cloth bag.
5. Check that the protective second-stage filter is clean and properly placed at the bottom of the vacuum chamber.
6. Check that the gasket at the base of the vacuum cover is in place and free from defects.
7. Replace the vacuum cover. Turn clockwise to tighten.

Vacuum Accessories

1. Examine the floor tool, vacuum hose and hose cuffs at both ends to see that there are no obstructions.
2. Examine the full length of the vacuum hose to ensure there are no cuts or gaps in the hose material that would result in loss of airflow.

NOTE: Replace damaged hoses, cuffs or accessories immediately.

3. Connect the vacuum hose cuff to its working location in the center of the vacuum cover. Push lightly to seat the cuff.
4. Connect the appropriate accessory or floor tool to the working end of the vacuum hose and press firmly into place.
5. Extend the telescoping wand to an appropriate length, based on the cleaning tasks being performed.

Daily Maintenance

WARNING:

Before making any repairs or adjustments to the machine, disconnect the power cord from the electrical source.

AVERTISSEMENT:

Retirez le cordon d'alimentation de la machine de la source électrique avant de procéder à des réparations ou des ajustements de la machine.

At the end of each working day

1. Turn cloth filter bag inside out and brush clean. Do not use a wire brush. Cloth bags can be vacuumed with another machine or washed occasionally in warm water using a mild, water-based soap without harming filtering capacity. Allow to dry completely before using.
2. Wipe down exterior of machine.
3. Check round foam filter at bottom of vacuum chamber and clean if necessary. For best results, replace the filter every 6 months
4. Inspect hose for wear. Frayed or cracked hoses should be replaced to avoid vacuum loss.
5. Inspect power cord for wear. To prevent electric shock, immediately replace cords with frayed or cracked insulation.

Periodically inspect all hoses, electrical cables and connections on your machine. Frayed or cracked hoses should be repaired or replaced to eliminate vacuum pressure loss. The electrical cable must be well insulated. If the cable insulation is broken or frayed, repair or replace immediately. Don't take chances with electrical fire or shock.

Troubleshooting

Battery Indicator LED Error Codes		
Blink Code	Error	Condition
1	Vacuum Over Current	Vacuum > 15A
2	Vacuum Under Current	Vacuum < 8A
3	Charger Over Current, Vacuum On	Charger > 19A
4	Charger Over Current, Vacuum Off	Charger > 8A
5	Charger Under Current, Vacuum On	Charger < 15A and Battery <39V
6	Bag Full Sensor	Open Circuit
7	Bag Full Sensor	Short Circuit
8	Stalled Vacuum Motor during Startup	
9	Vacuum Motor Over Temp.	Temp. >203°F (95°C)
10	Machine Over Temp.	Temp. >167°F (75°C)
11	Charger Over Voltage, Vacuum On	Charger >40V
12	Charger Over Voltage, Vacuum Off	Charger >50V

PROBLEM.	CAUSE	SOLUTION
No power, vacuum motor will not run	Dead batteries.	Plug in cord to charge.
	Circuit breaker tripped in building.	Reset breaker.
	Thermal protector tripped	Machine requires cool down and reset. To prevent repeated tripping, clear all restrictions out of hose and tools, replace paper filter bag. Clean cloth filter bag and internal foam filter, clear all restrictions to the exhaust air flow.
	Faulty switch.	Call for service.
	Faulty power cord.	Call for service.
Poor vacuum performance	Debris plugging hose, wand or accessory tool.	Remove debris.
	Paper bag full.	Replace bag.
	Cloth bag plugged.	Remove from machine, turn inside out and shake or brush clean.
	Hosecuffs loose or hose cracked.	Tighten cuffs or replace hose.
	Cap loose on top of machine.	Tighten cap.
	Vacuum filter plugged.	Remove filter(s) and clean. Replace filter(s) if needed.
Does not charge with cord plugged in	Faulty charge system.	Call for service.

Service Schedule

MAINTENANCE	DAILY	WEEKLY	MONTHLY	QUARTERLY	BI-ANNUALLY
Check bag and replace if necessary	*				
Check hoses for wear, blockages, or damage	*				
Check major gaskets for leakage	*				
Check brush-should be clean with no lint or strings attached	*				
Store cord in pocket	*				
Check hoses for cracks or holes		*			
Check all cords and handles for damage or cracks; replace as necessary		*			
Inspect and replace all filters including exhaust, intake, and microfilters			*		
Check all gaskets for wear and leakage			*		
Check vacuum motor carbon brushes				*	
Check for arcing and pitting on any electrical contacts; replace if found				*	
Inspect and clean vacuum accessories; check for dents and damage which would detrimentally effect vacuum and brush movement				*	
Check overall performance of machine				*	
Replace foam vacuum filter					*
Replace cloth bag					*

Vacuum Motor Replacement

⚠ WARNING:

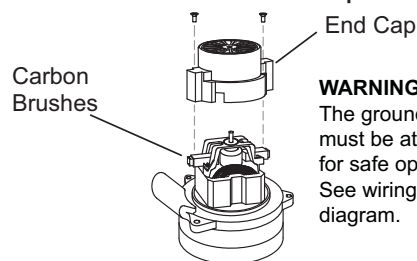
Only qualified maintenance personnel are to perform the following repairs.

⚠ AVERTISSEMENT:

Seul le personnel d'entretien qualifié peut effectuer des réparations

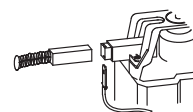
1. Turn off vacuum and unplug machine
2. Remove the (4) screws that fasten the vacuum housing to the cart.
3. Remove the (7) screws that fasten the back panel to the cart and set the panel aside.
4. Disconnect the hose and electrical terminals from the vacuum housing.
5. Lift the vacuum housing assembly from the cart.
6. Remove (1) screw that fastens the electrical terminal to the outside of the vacuum housing.
7. Remove the (5) screws that fasten the exhaust bracket to the vacuum housing.
8. Remove the (3) screws that hold the vacuum motor to the vacuum housing.
9. Remove vacuum motor.
10. Remove (4) screws that fasten isolator assembly to vacuum motor.
11. Remove (2) screws that fasten the electrical terminals to the vacuum motor.
12. Reverse process to install vacuum motor.

Vacuum Motor Carbon Brushes Replacement



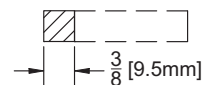
WARNING:
The ground wire must be attached for safe operation. See wiring diagram.

If armature commutator is grooved, extremely pitted or not concentric, the motor will need to be replaced or sent to a qualified service center.



Important:

These brushes wear quicker as the length shortens due to increased heat. Spring inside brush housing will damage motor if brushes are allowed to wear away completely.



Periodically check the length of the carbon brushes. Replace both carbon brushes when either is less than 3/8" (9.5mm) long.

! WARNING:

Use AGM or Gel Batteries Only. Use of other batteries may result in operator injury.

! AVERTISSEMENT:

Utilisez uniquement des batteries AGM ou Gel. L'utilisation d'autres batteries peut blesser l'opérateur.

Batteries

The batteries provide the power to operate the machine. The batteries require regular maintenance to keep them operating at peak efficiency.

The machine batteries will hold their charge for long periods of time, but they can only be charged a certain number of times. To get the greatest life from the batteries, charge them when their charge level reaches 25% of a full charge.

Do not allow the batteries to remain in a discharged condition for any length of time. Never expose a discharged battery to temperatures below freezing. Discharged batteries will freeze causing cracked cases. Do not operate the machine if the batteries are in poor condition or if they have a charge level below 25% (specific gravity below 1.155).

Keep all metallic objects off the top of the batteries, as they may cause a short circuit. Replace worn or damaged cables and terminals.

! WARNING:

Not all batteries require maintenance. AGM and Gel batteries are maintenance free. Do not attempt to remove sealed caps from AGM or Gel batteries. Warranty is void if caps are removed from AGM or Gel battery.

! AVERTISSEMENT:

L'entretien n'est pas nécessaire pour toutes les batteries. Les batteries AGM et Gel ne nécessitent pas d'entretien. N'essayez pas d'enlever les bouchons scellés des batteries AGM ou Gel. La garantie est annulée si les bouchons sont retirés des batteries AGM ou Gel.

Battery Maintenance

! WARNING:

Only qualified maintenance personnel are to perform the following repairs.

! AVERTISSEMENT:

Seul le personnel d'entretien qualifié peut effectuer des réparations

! CAUTION:

When servicing machine, avoid contact with battery acid.

! ATTENTION:

Lors de l'entretien de la machine, évitez tout contact avec l'acide de batterie.

! WARNING:

Batteries emit hydrogen gas. Explosion or fire can result. Keep sparks and open flame away. Keep covers open when charging.

! AVERTISSEMENT:

Les batteries émettent du gaz hydrogène. Une explosion ou un incendie peut en résulter. Maintenez les étincelles et les flammes nues à l'écart. Gardez les carters ouverts lors du chargement.

! WARNING:

Use AGM or Gel Batteries Only. Use of other batteries may result in operator injury.

! AVERTISSEMENT:

Utilisez uniquement des batteries AGM ou Gel. L'utilisation d'autres batteries peut blesser l'opérateur.

! WARNING:

Wear eye protection and protective clothing when working with batteries.

! AVERTISSEMENT:

Portez des lunettes de protection et des vêtements de protection lorsque vous travaillez avec des batteries.

! WARNING:

Charge batteries in a well ventilated area.

! AVERTISSEMENT:

Chargez les batteries dans un endroit bien ventilé.

Battery Maintenance (continued)

1. The batteries originally installed are sealed and do not require electrolyte level monitoring.
2. When cleaning the batteries, use a solution of baking soda and water. Do not allow the cleaning fluid to enter the battery cells.
3. Ensure that all connections are tight and all corrosion removed.
4. Every 4 to 6 months, remove the batteries from the machine and clean the battery cases and battery compartment.

Charging Batteries

! WARNING:

Use AGM or Gel Batteries Only. Use of other batteries may result in operator injury.

! AVERTISSEMENT:

Utilisez uniquement des batteries AGM ou Gel. L'utilisation d'autres batteries peut blesser l'opérateur.

! WARNING:

Only qualified maintenance personnel are to perform the following repairs.

! AVERTISSEMENT:

Seul le personnel d'entretien qualifié peut effectuer des réparations

! WARNING:

Not all batteries require maintenance. AGM and Gel batteries are maintenance free. Do not attempt to remove sealed caps from AGM or Gel batteries. Warranty is void if caps are removed from AGM or Gel battery.

! AVERTISSEMENT:

L'entretien n'est pas nécessaire pour toutes les batteries. Les batteries AGM et Gel ne nécessitent pas d'entretien. N'essayez pas d'enlever les bouchons scellés des batteries AGM ou Gel. La garantie est annulée si les bouchons sont retirés des batteries AGM ou Gel.

! CAUTION:

When servicing machine, avoid contact with battery acid.

! ATTENTION:

Lors de l'entretien de la machine, évitez tout contact avec l'acide de batterie.

! WARNING:

Batteries emit hydrogen gas. Explosion or fire can result. Keep sparks and open flame away. Keep covers open when charging.

! AVERTISSEMENT:

Les batteries émettent du gaz hydrogène. Une explosion ou un incendie peut en résulter. Maintenez les étincelles et les flammes nues à l'écart. Gardez les carters ouverts lors du chargement.

! WARNING:

Wear eye protection and protective clothing when working with batteries.

! AVERTISSEMENT:

Portez des lunettes de protection et des vêtements de protection lorsque vous travaillez avec des batteries.

! WARNING:

Charge batteries in a well ventilated area.

! AVERTISSEMENT:

Chargez les batteries dans un endroit bien ventilé.

! WARNING:

Batteries emit hydrogen gas. Explosion or fire can result. Keep sparks and open flame away. Keep covers open when charging.

! AVERTISSEMENT:

Les batteries émettent du gaz hydrogène. Une explosion ou un incendie peut en résulter. Maintenez les étincelles et les flammes nues à l'écart. Gardez les carters ouverts lors du chargement.

Charging Batteries (continued)

1. This machine includes an on-board charger.
2. The battery status indicator LED will display a color and flashing patterns during machine usage. See the Battery Indicator Table.
3. Connect the coiled cord to a grounded wall outlet to start the charge cycle.
4. Allow the battery pack to progress through a full charge cycle every day upon completion of a work shift. At a minimum the battery pack should be allowed to progress through a full charge cycle at least once per week.

NOTE: A full battery charge cycle will take approximately 8 hours.

NOTE: If the machine has a full battery charge and does not operate once the on/off switch is engaged it will be necessary to call a qualified Service Technician.

Battery Indicator LED Table			
LED	Vacuum Motor	Charger	Battery
Off	Off	Unplugged	No Activity
Double Blink Green	On or Off	Plugged In	Charging
Solid Green/ Off	Off	Plugged In	Charged
Solid Green	On	Unplugged	>40% Charge
Slow Blinking Green	On	Unplugged	Between 30% and 40% Charge
Fast Blinking Green	On	Unplugged	Between 20% and 30% Charge
Solid Red	On	Unplugged	Low Charge or Dead Battery

Batteries

⚠ WARNING:

Use AGM or Gel Batteries Only. Use of other batteries may result in operator injury.

⚠ AVERTISSEMENT:

Utilisez uniquement des batteries AGM ou Gel. L'utilisation d'autres batteries peut blesser l'opérateur.

⚠ WARNING:

Only qualified maintenance personnel are to perform the following repairs.

⚠ AVERTISSEMENT:

Seul le personnel d'entretien qualifié peut effectuer des réparations.

⚠ WARNING:

Not all batteries require maintenance. AGM and Gel batteries are maintenance free. Do not attempt to remove sealed caps from AGM or Gel batteries. Warranty is void if caps are removed from AGM or Gel battery.

⚠ AVERTISSEMENT:

L'entretien n'est pas nécessaire pour toutes les batteries. Les batteries AGM et Gel ne nécessitent pas d'entretien. N'essayez pas d'enlever les bouchons scellés des batteries AGM ou Gel. La garantie est annulée si les bouchons sont retirés des batteries AGM ou Gel.

⚠ WARNING:

Only qualified maintenance personnel are to perform the following repairs.

⚠ AVERTISSEMENT:

Seul le personnel d'entretien qualifié peut effectuer des réparations

FOR SAFETY: Before leaving or servicing the machine; stop on level surface and turn off machine.

Changing Batteries

1. Open the control panel.
2. Disconnect battery pack from machine.
3. Use the proper size open end wrench to disconnect main ground wire first and secure cable terminal away from batteries.
4. Disconnect main positive lead and secure cable terminals away from batteries.
5. Remove bolt from Battery Strap.
6. Loosen both terminals on each jumper cable and remove one at a time.
7. Prepare a suitable site to place the batteries.

Delta Q IC650 Charger Maintenance Instructions

1. Do not expose charger to oil, dirt, mud or direct heavy water spray when cleaning the vehicle or machine.
2. The enclosure of the charger meets IP66, making it dust-tight and protected against powerful water jets. The AC inlet connection itself, when mated, is rated to IP20, which is not protected against water. Protect the AC connection if used in wet or dusty environments.
3. If the detachable input power supply cord set is damaged, replace with a cord that is appropriate for your region:
 - North America: UL or CSA listed / approved detachable cord at least 1.8m in length (≥ 6 feet), 3 conductor, 16AWG minimum and rated SJT; terminated in a grounding type IEC 60320 C14 plug rated 250V, 13A minimum.
 - All other regions: Safety approved detachable cord, 3 conductor, 1.5mm² minimum, rated appropriately for industrial use. The cord set must be terminated on one end with a grounding type input connector appropriate for use in the country of destination and, on the other end, an output grounding type IEC 60320 C14 plug.

Delta Q IC650 Charger Operating Instructions

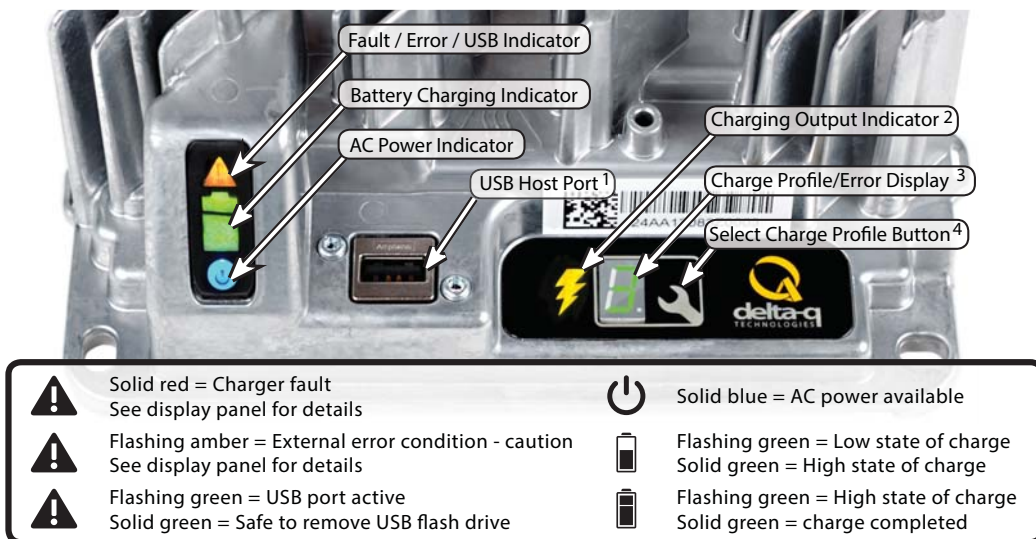
⚠️ WARNING:

Only qualified maintenance personnel are to perform the following repairs.

⚠️ AVERTISSEMENT:

Seul le personnel d'entretien qualifié peut effectuer des réparations

- The charger may become hot during charging. Use hand protection to safely handle the charger during charging.
- Extension cords must be a 3-wire cord no longer than 30m (100') at 10 AWG or 7.5m (25') at 16 AWG, per UL guideline



1. The USB Host Port allows data to be transferred to and from the charger using a standard USB flash drive, including the downloading of charge tracking data and updating of the charger's software and / or charge profiles.
2. The Charging Output Indicator means that the charger output is active, and there is a potential risk of electric shock.
3. The Charge Profile / Error Display shows one of four possible codes to indicate different conditions:
 - 'F' codes meaning that an internal fault condition has caused charging to stop.
 - 'E' codes meaning that an external error condition has caused charging to stop.
 - 'P' code meaning that the charger programming mode is active.
 - 'USB' code meaning that the USB interface is active, and the USB flash drive should not be removed.The 'E,' 'F' and 'P' codes will appear, then are followed by three numbers and a period to indicate different conditions (e.g. E-0-0-4). "See the Charger Fault Codes" or "Charger Error Codes" sections for details on these conditions and their solutions.
4. The Select Charge Profile Button is used to select a charge profile from those stored on the charger. Up to 25 charge profiles can be stored. See the "Selecting A Charge Profile" section for instructions.

Selecting a Charge Profile

1. Disconnect AC input from the charger, or from the wall outlet. Wait 30 seconds for the input relay to open.



Figure 1:
Disconnect AC input from the charger.

2. While reconnecting AC input, press and hold Select Charge Profile button. Hold the button until Error Indicator is on and Battery Charging Indicator starts flashing.



Figure 2:
Reconnect AC input while holding the Select Charge Profile Button.

3. Press and release the Select charge Profile Button to advance through charging profiles loaded on the charger. The selected charging profile will be displayed up to three times (e.g. "P-0-1-1" for Profile 11).*

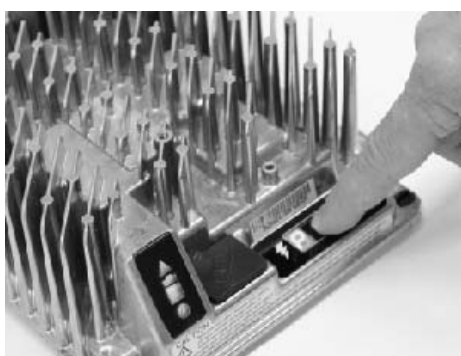


Figure 3:
Press the Select Charge Profile Button to advance through the charge profiles. Hold the button for 10 seconds to confirm your selection.

*Process will time out and profile will remain unchanged if there is 15 seconds of inactivity, a profile number is allowed to display three times, or if AC power is cycled.

4. Once desired charging profile is displayed, press and hold button for 10 seconds (see Figure 3) to confirm selection and exit Profile Selection Mode.
5. Press the Select Charge Profile Button to check that the desired profile is selected.

Use this table to record the charging profiles on your charger.

Model:	IC650-_____
Serial No.:	DQS _____
Profile No.	Battery Type

Profile Logic

Profiles #42, 62 and 73 are programmed to automatically restart a charge cycle after 14 days or 1.8V/cell have been reached by the batteries if the charger remains connected to AC power.

NOTE: Each profile is programmed to optimize the life and performance of their corresponding battery, contact the manufacturer before changing battery charger profiles.

Configuring the IC650 Charger Using a USB Flash Drive

⚠ WARNING:

Only qualified maintenance personnel are to perform the following repairs.

⚠ AVERTISSEMENT:

Seul le personnel d'entretien qualifié peut effectuer des réparations

Using the Delta Q software, USB storage drives can be pre-programmed to certain charger configuration.

To use the USB port, follow these steps:

1. Insert the USB flash drive at any time, except during a charge cycle. Stop the charge cycle by removing AC power or the DC connection to the batteries. The charger will power the USB port from the remaining AC connection.
2. If there is enough disk space, the charger will write charge tracking data to the drive. The Fault/Error/USB Indicator will flash green during reading and writing.
3. If the drive contains compatible configuration files, the charger will load them.
4. The IC650 Charger will briefly reset.
5. Remove the drive when the Fault/Error/USB Indicator is solid green.



Figure 4, Insert the USB flash drive to begin the reprogramming process. When complete, the Fault/Error/USB Indicator will be solid green as shown.

Troubleshooting

If the alarm indicator flashes amber, note the error code and retry the update. If there is no response to inserting the USB drive when the charger is being used off-board, check that AC power is available and connected. If the charger is installed on-board, ensure that the charger either has AC power and / or batteries are connected.

Confirming a Software Update

After using a USB flash drive to update the charger firmware, the update can be confirmed by reviewing the .txt file written to the flash drive by the charger. It will be located in the folder labelled 'syslog' (e.g. F:\CHARGER\RESP\serialno\syslog\00000000.txt).

Open this file using a text editing program such as Notepad or Microsoft Word. If the update has been successful, near the end of the text you will see a description resembling "SM Task: Successful upgrade at Major[001].Minor[991].Build[000]variant[008]."

Charge Tracking Data

All IC650 Chargers record data such as amp hours returned, charge cycle completion or interruption, and the charge profile being used. This data can be very useful in vehicle or machine diagnostics.

To retrieve this data, follow these steps:

1. After a charge cycle is complete, or the charger is disconnected from the battery pack, insert a USB flash drive with at least 2MB of free space into the IC650 Charger's USB hose port. The charger will automatically begin to download the data, shown on the Fault/Error/USB Indicator with a flashing green light.

If you plan to download data from a large number of chargers, having more free space on your USB flash drive is recommended. If you want to update the software on only some of your chargers, it is recommended that you use separate USB flash drives for updating and downloading charge tracking data.



Figure 5, Insert the USB flash drive to begin the charge data download process. This step can be completed using the same USB flash drive programmed to update the charger's software. The process is completed when the USB indicator is solid green, and no longer flashing.

2. The downloading process is complete when the Fault/Error/USB Indicator is solid green. The USB flash drive can be removed from the charger.

Suggested Spare Parts

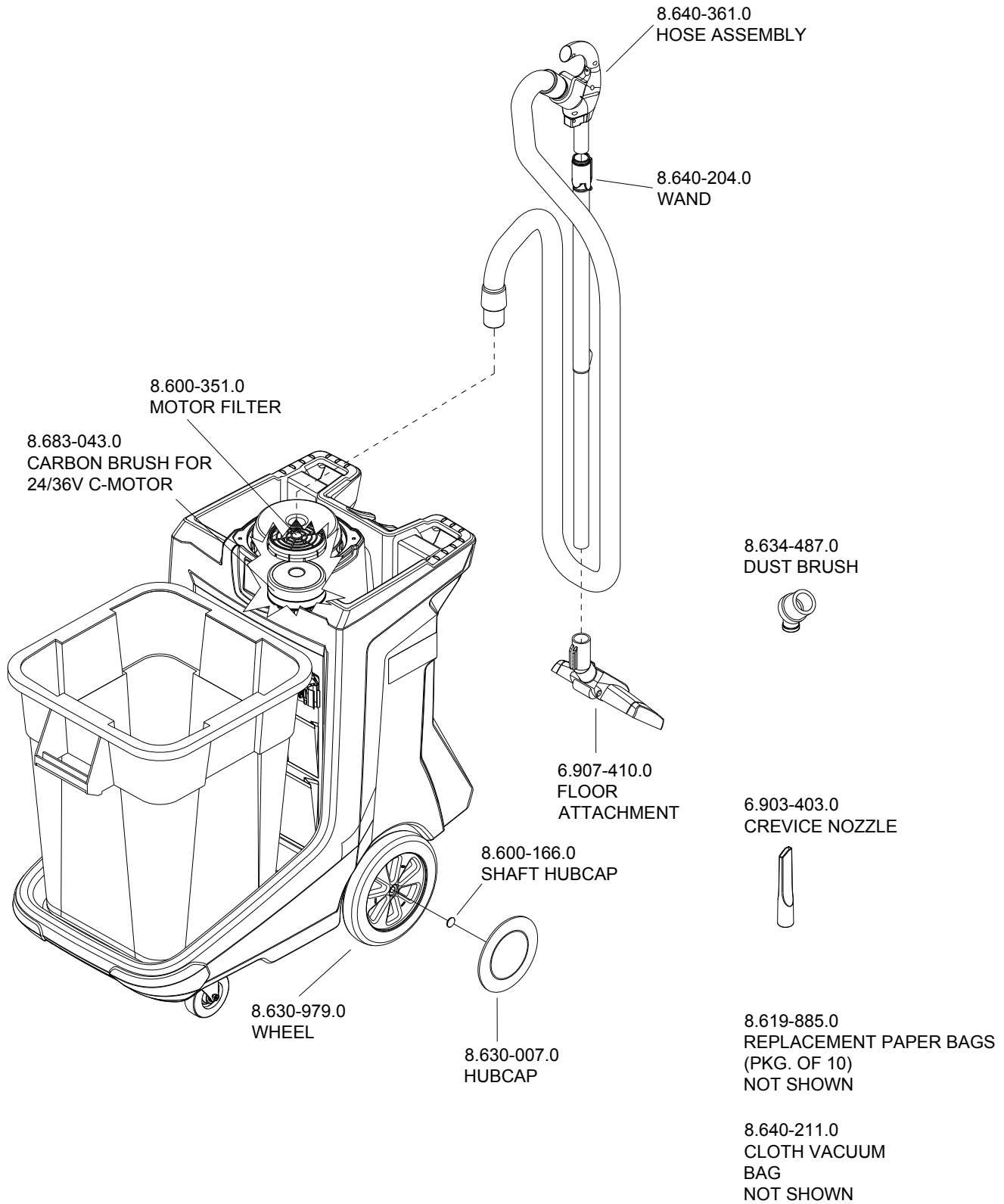
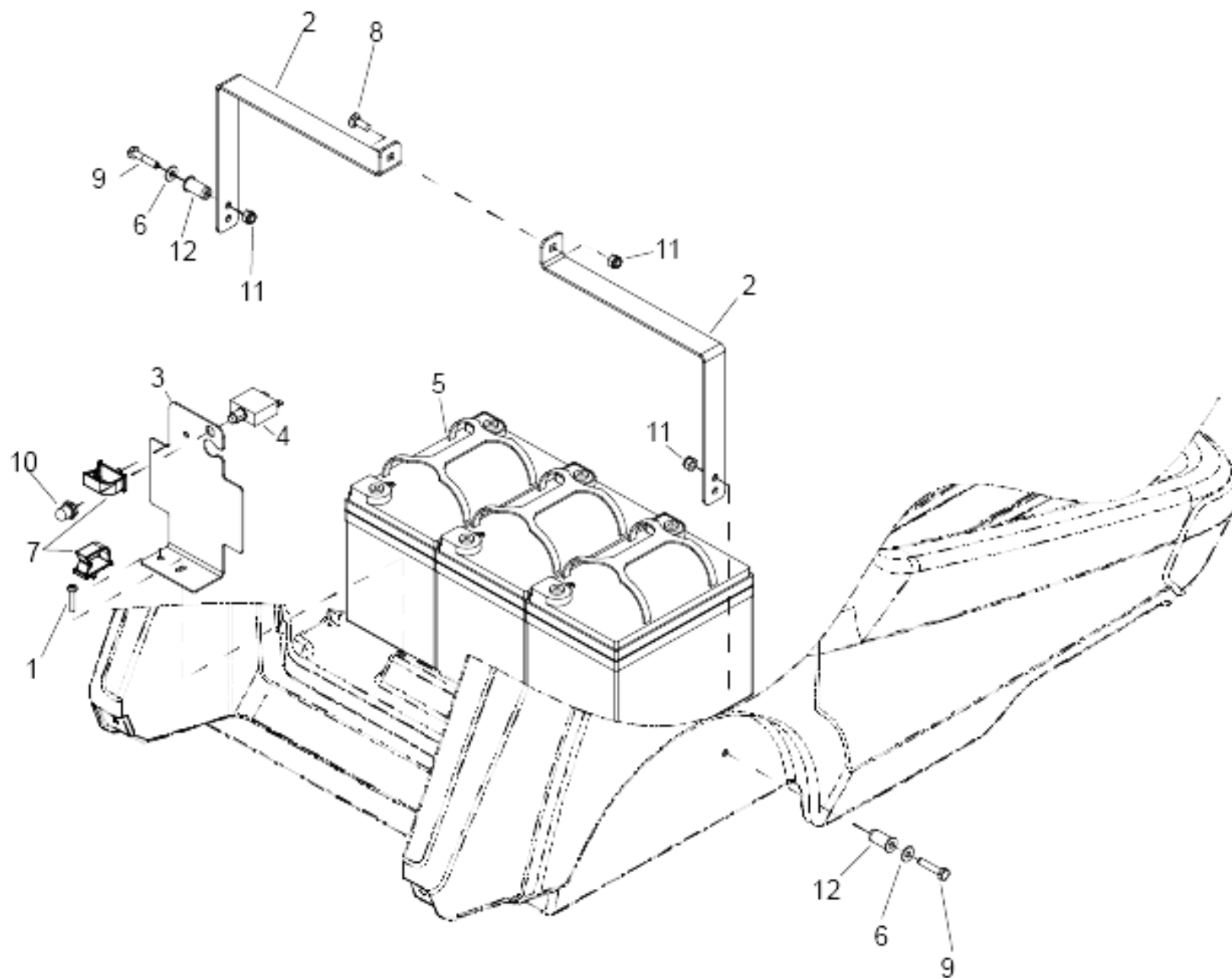


Table of contents

ECO! T11 BP LINER	2
1 BATTERIES	3
2 BODY	5
3 CHARGER	7
4 LABELS	9
5 VACUUM	11
6 WAND	13
7 WHEELS	15
8 TRASH ACCESSORIES	17
100 ECO! CART SERIAL NUMBER	19

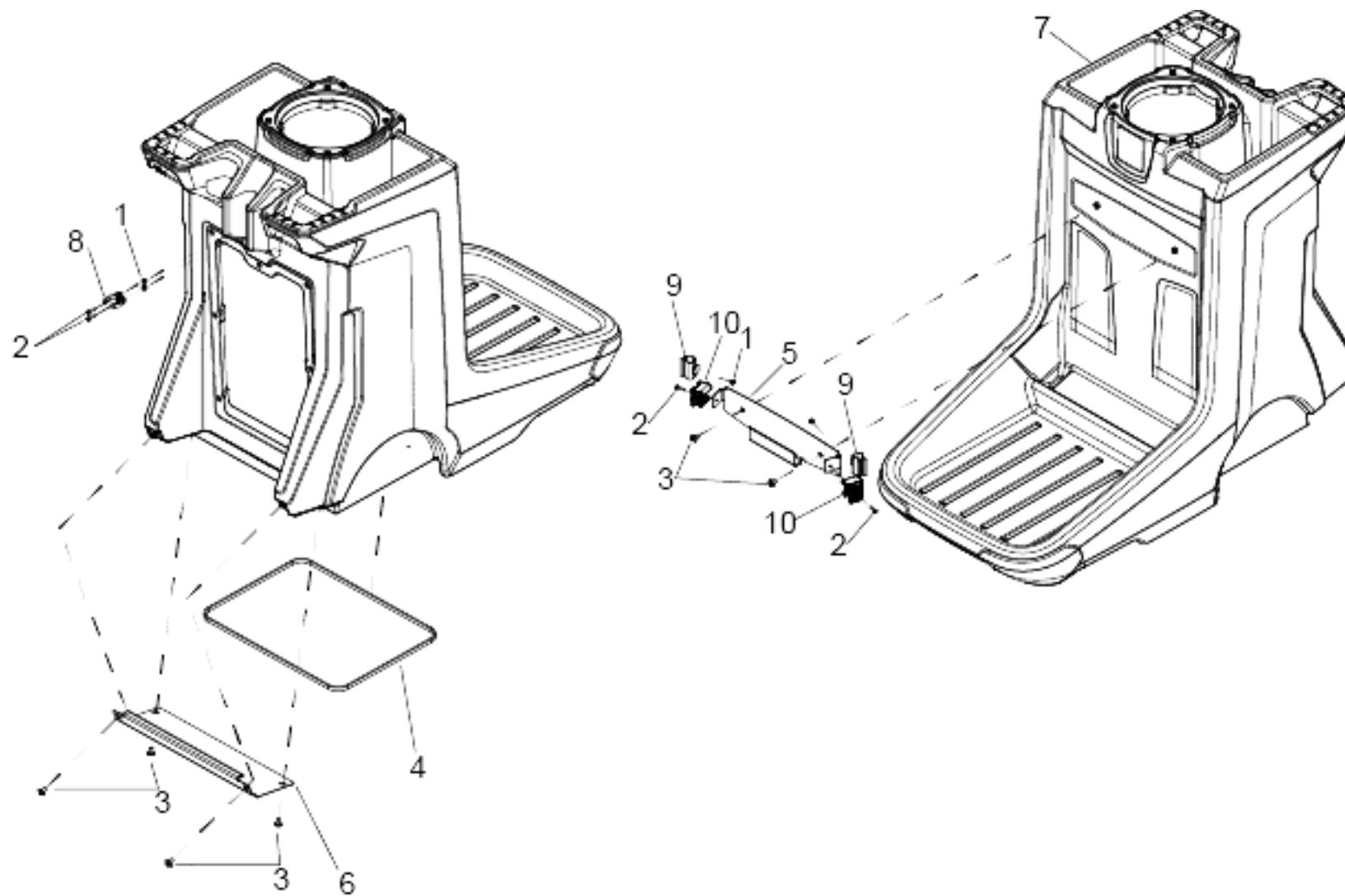
ECO! T11 BP LINER

POS	Description	Quantity	Unit
1	BATTERIES	1.000	ST
2	BODY	1.000	ST
3	CHARGER	1.000	ST
4	LABELS	1.000	ST
5	VACUUM	1.000	ST
6	WAND	1.000	ST
7	WHEELS	1.000	ST
8	TRASH ACCESSORIES	1.000	ST
100	ECO! CART SERIAL NUMBER	1.000	ST



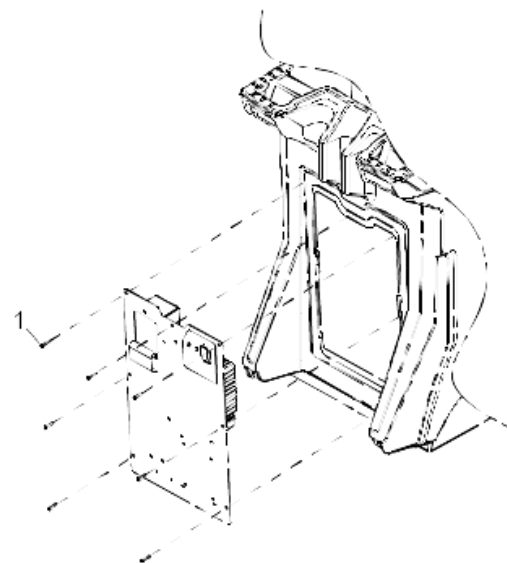
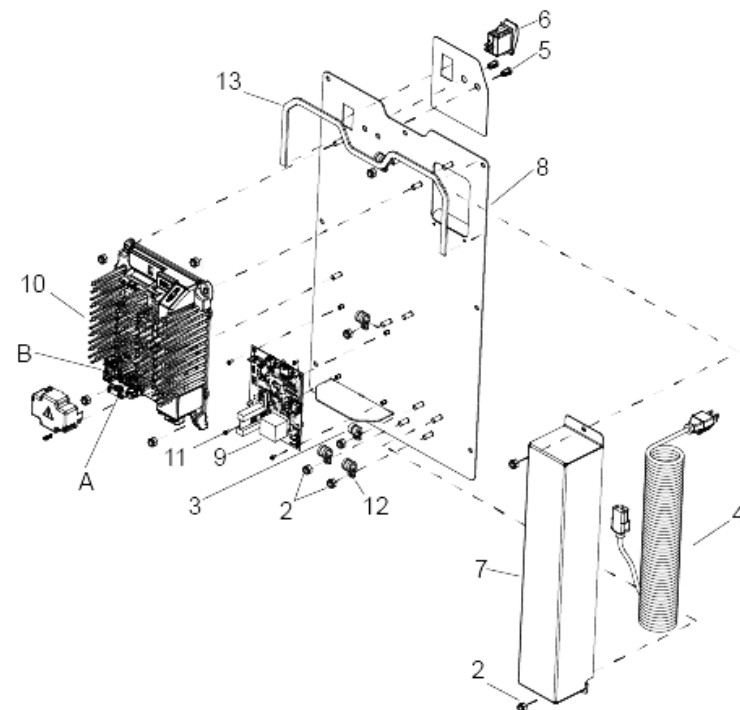
1 BATTERIES

POS	Article no.	Description	Quantity	Unit
1	8.640-858.0	Screw 10-32 X 1 TPNHMS SS BLK ZNPLT	1.000	ST
2	8.640-395.0	Bracket battery strap	2.000	ST
3	8.640-240.0	Bracket battery harness	1.000	ST
4	8.640-214.0	BREAKER, 30A, 250VAC, 50VDC	1.000	ST
5	8.637-463.0	Battery 12V 33AH	3.000	ST
6	8.636-177.0	WASHER, 1/4 FLT SS	3.000	ST
7	8.636-152.0	CLIP, CABLE ENTRY	2.000	ST
8	8.627-695.0	SCREW, 1/4-20 X .75 CARR SS	1.000	ST
9	8.627-382.0	SCREW, 1/4-20 X 1.25 HHMS SS	2.000	ST
10	8.600-890.0	BOOT, SEAL-PUSH BUTTON 7/16-28	1.000	ST
11	8.600-581.0	NUT, 1/4-20 HEX NYLOCK SS	3.000	ST
12	8.600-562.0	NUT, 1/4-20 WELL	2.000	ST



2 BODY

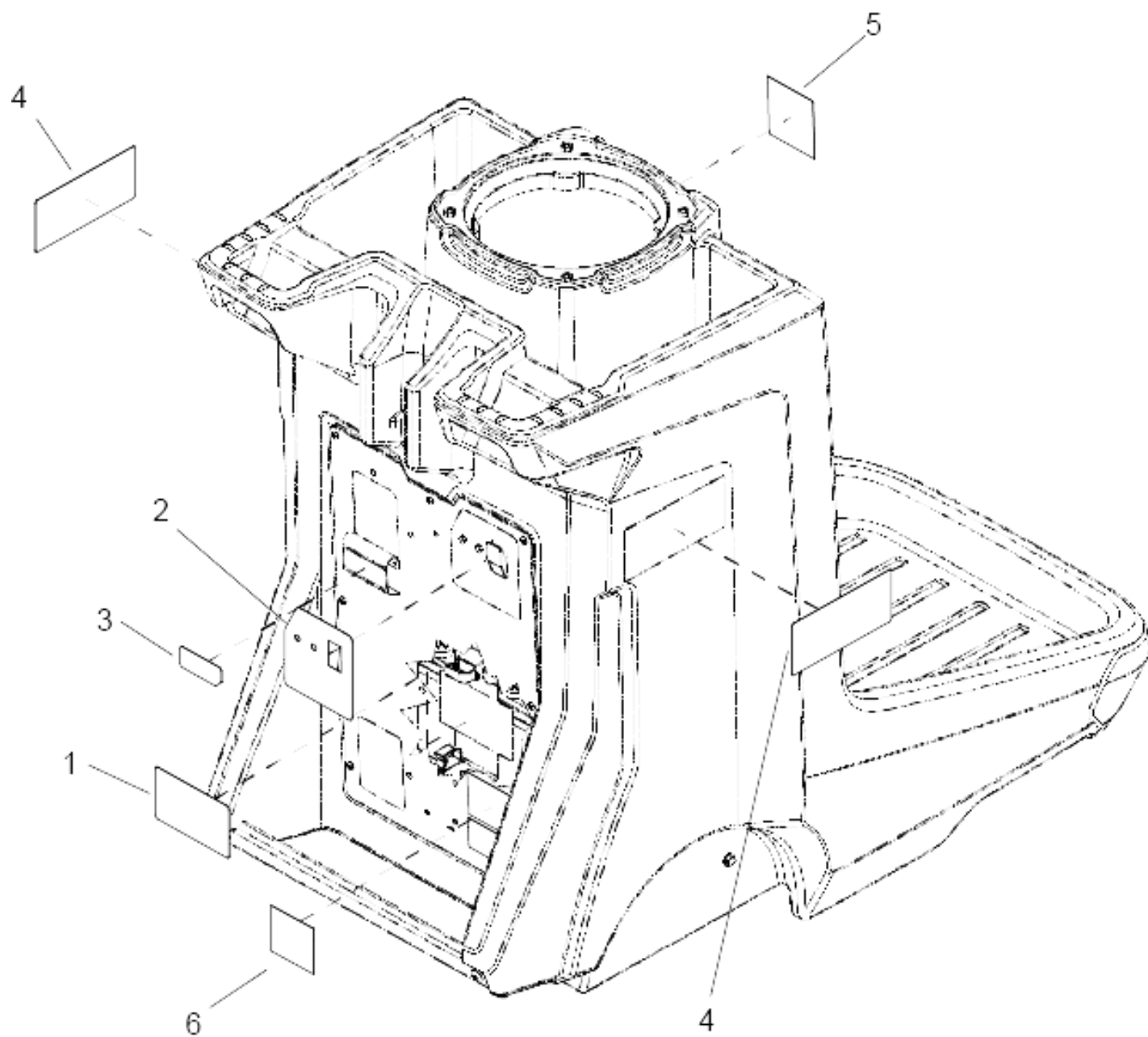
POS	Article no.	Description	Quantity	Unit
1	8.640-279.0	Nut 8-32 HEX NYLOCK ST BLKZINC	4.000	ST
2	8.640-278.0	Screw 8-32 X.75 TPNHMS SS BLK ZNPLT	4.000	ST
3	8.640-276.0	Screw 5/16-18 X 1/2 TTRHMS SS BLK ZNPLT	6.000	ST
4	8.640-186.0	GASKET, .188 x .37 x 61	1.000	ST
5	8.640-185.0	Bracket trash home base	1.000	ST
6	8.640-184.0	Bracket wand shelf	1.000	ST
7	8.640-164.0	CART, TRIMMED, GRY, T11BPB	1.000	ST
8	8.600-299.0	CLIP, C 1 1/2" PLASTIC	1.000	ST
9	6.980-078.0	Holder handhold grey	2.000	ST
10	5.035-488.0	Adapter Homebase	2.000	ST



A: TORQUE TO 85±5 OZ-IN
B: TORQUE TO 40±2 LB-IN

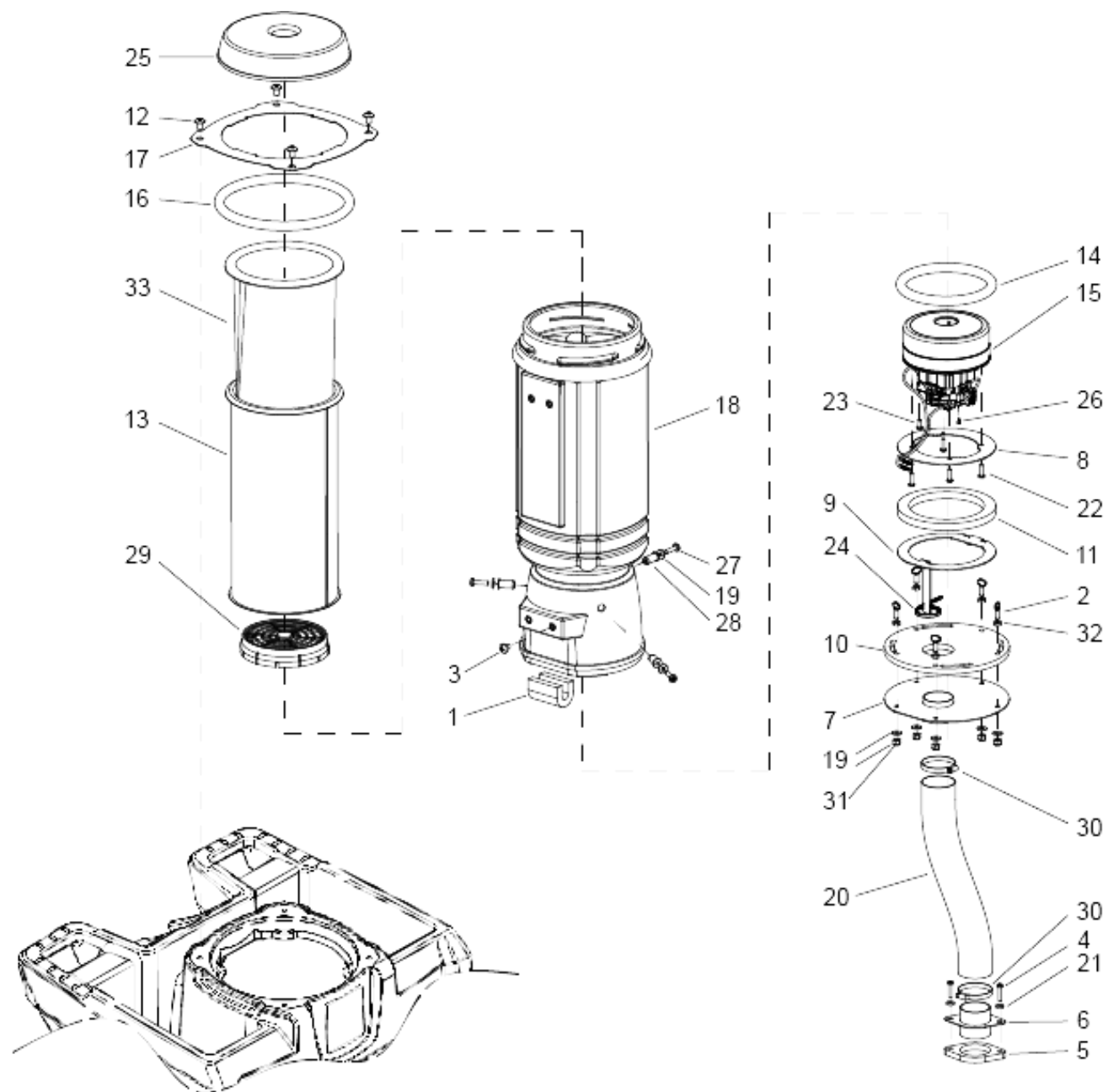
3 CHARGER

POS	Article no.	Description	Quantity	Unit
1	8.640-858.0	Screw 10-32 X 1 TPNHMS SS BLK ZNPLT	7.000	ST
2	8.600-581.0	NUT, 1/4-20 HEX NYLOCK SS	11.000	ST
3	8.640-222.0	Clamp 1/4 cushioned .265 MTG	1.000	ST
4	8.640-203.0	Cord set 18/3 SVEO coil 20 foot	1.000	ST
5	8.640-202.0	Bezel LED	2.000	ST
6	8.640-201.0	Switch SPST 2-POS MOM ROCKER	1.000	ST
7	8.640-193.0	Bracket cord housing	1.000	ST
8	8.640-191.0	Panel control T11BPB	1.000	ST
9	8.639-530.0	PCB ASSEMBLY, T11BPB	1.000	ST
10	8.638-816.0	CHRGR, 36V 18A IC650 OBC ALG 196	1.000	ST
10	8.637-201.0	CHRGR, 36V 18A IC650 OBC ALG 42	1.000	ST
11	8.627-457.0	SCREW, 4-40 X .25 PHPNHMS STL ZNPLT	4.000	ST
12	8.617-709.0	CLAMP, CABLE 1/2I.D. 1/4BLT	4.000	ST
13	8.623-790.0	GASKET, .125T X .37W X 23L	1.000	ST



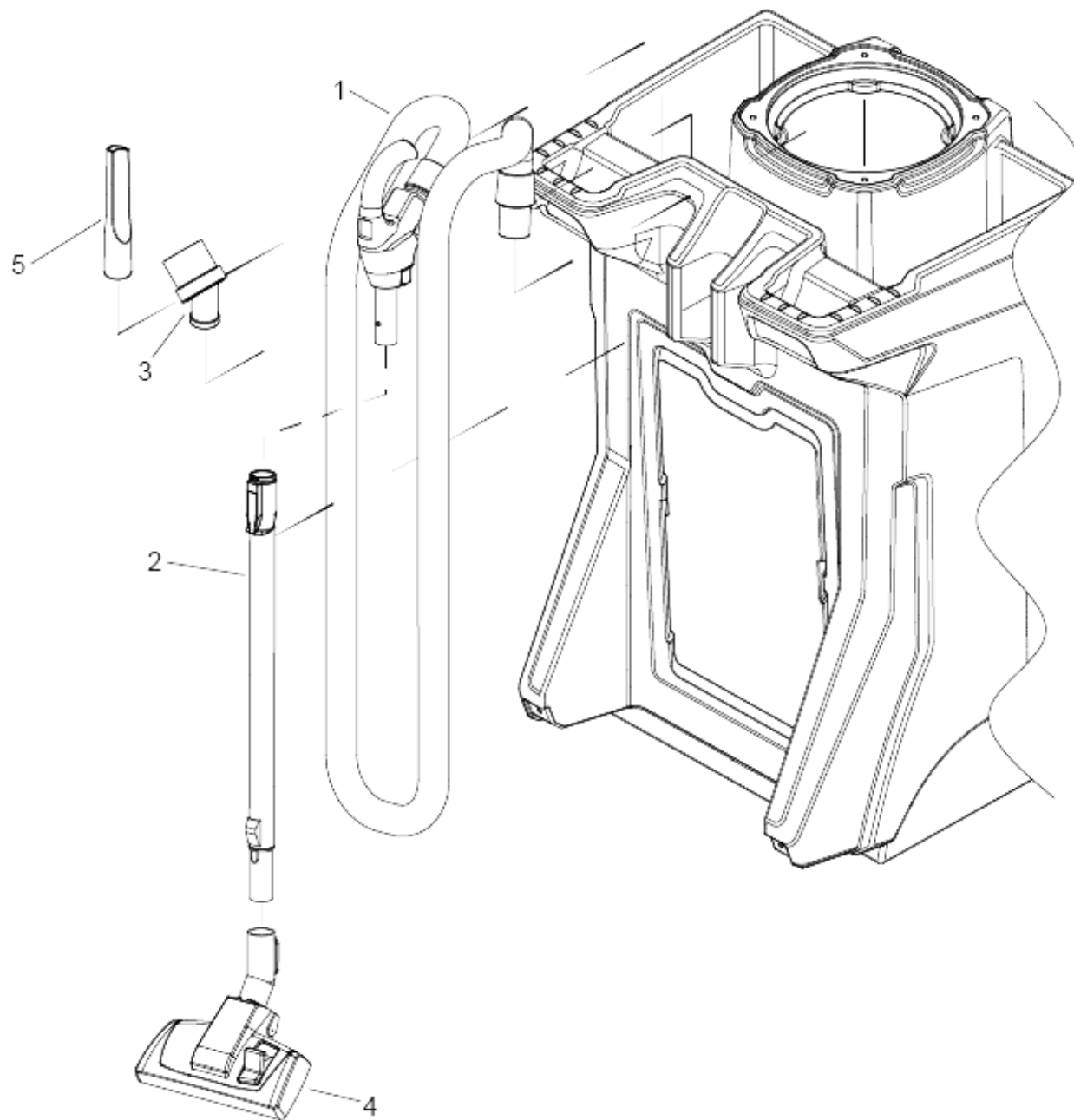
4 LABELS

POS	Article no.	Description	Quantity	Unit
1	8.640-275.0	Label battery cabling	1.000	ST
2	8.640-236.0	Label control panel T11BPB	1.000	ST
3	8.640-238.0	Label cord	1.000	ST
4	8.640-237.0	Label side	2.000	ST
5	8.633-500.0	Label AKW domed logo	1.000	ST
6	8.641-535.0	LABEL, CRI, BRONZE	1.000	ST



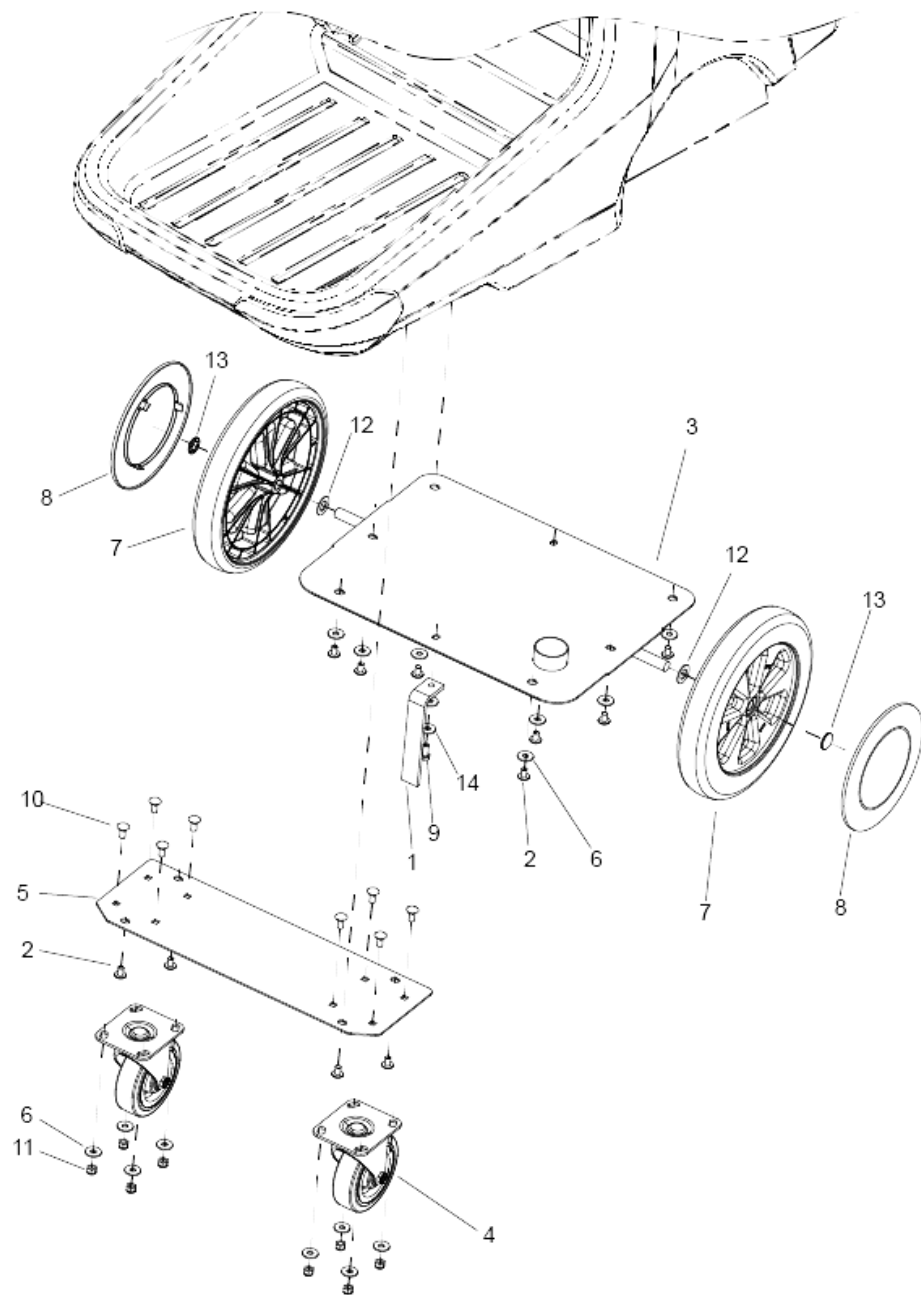
5 VACUUM

POS	Article no.	Description	Quantity	Unit
1	8.640-935.0	GASKET, HARNESS SEAL	1.000	ST
2	8.637-188.0	SCREW, 1/4-20 x .75 THUMB SS	5.000	ST
3	8.640-904.0	Screw M8-1.25 X 10 PHPNHMS SS	1.000	ST
4	8.640-858.0	Screw 10-32 X 1 TPNHMS SS BLK ZNPLT	2.000	ST
5	8.640-414.0	Gasket muffler bracket	1.000	ST
6	8.640-388.0	Bracket muffler hose	1.000	ST
7	8.640-374.0	BRKT, VAC EXHAUST, WELDMENT	1.000	ST
8	8.640-358.0	Bracket vac motor mount upper	1.000	ST
9	8.640-357.0	Bracket vac motor mount lower	1.000	ST
10	8.640-355.0	GASKET, MOTOR CAP	1.000	ST
11	8.640-354.0	GASKET, MOTOR ISOLATOR	1.000	ST
12	8.640-276.0	Screw 5/16-18 X 1/2 TTRHMS SS BLK ZNPLT	4.000	ST
13	8.640-211.0	Bag cloth vacuum 10 QT	1.000	ST
14	8.640-198.0	GASKET, VACUUM MOTOR	1.000	ST
15	8.641-303.0	Assembly vac motor 36VDC 2ST FT	1.000	ST
16	8.640-196.0	GASKET, BAG HOUSING MOUNT	1.000	ST
17	8.640-195.0	Plate bag housing mount	1.000	ST
18	8.638-841.0	Housing vacuum bag trimmed	1.000	ST
19	8.636-177.0	WASHER, 1/4 FLT SS	8.000	ST
20	8.628-118.0	HOSE, 2.0 VAC EXHAUST X 17"	1.000	ST
21	8.627-929.0	Washer #10 FLAT W/NEOPRENE	2.000	ST
22	8.627-629.0	SCREW, 10 X .75 PPNHMS HI LOW ST BLK ZN	4.000	ST
23	8.627-435.0	SCREW, 10-24 X .5 PHPNHMC	1.000	ST
24	8.626-492.0	CABLE TIE, 7" UL/CSA	1.000	ST
25	8.619-874.0	Cap black	1.000	ST
26	8.617-310.0	SCREW, M3 X 6 BTNHSCCHCS SS ISO7380	1.000	ST
27	8.600-653.0	SCREW, 1/4-20 X 1 PHPNHMS SS	3.000	ST
28	8.600-562.0	NUT, 1/4-20 WELL	3.000	ST
29	8.600-351.0	FILTER VAC MOTOR	1.000	ST
30	8.600-238.0	Clamp 2.25" WORM GEAR	2.000	ST
31	8.600-581.0	NUT, 1/4-20 HEX NYLOCK SS	5.000	ST
32	8.627-093.0	NUT, 1/4-20 HEXTHIN SS	5.000	ST
33	8.619-885.0	FILTER BAG, VP10 PAPER **(PKG/10)**	1.000	PAK



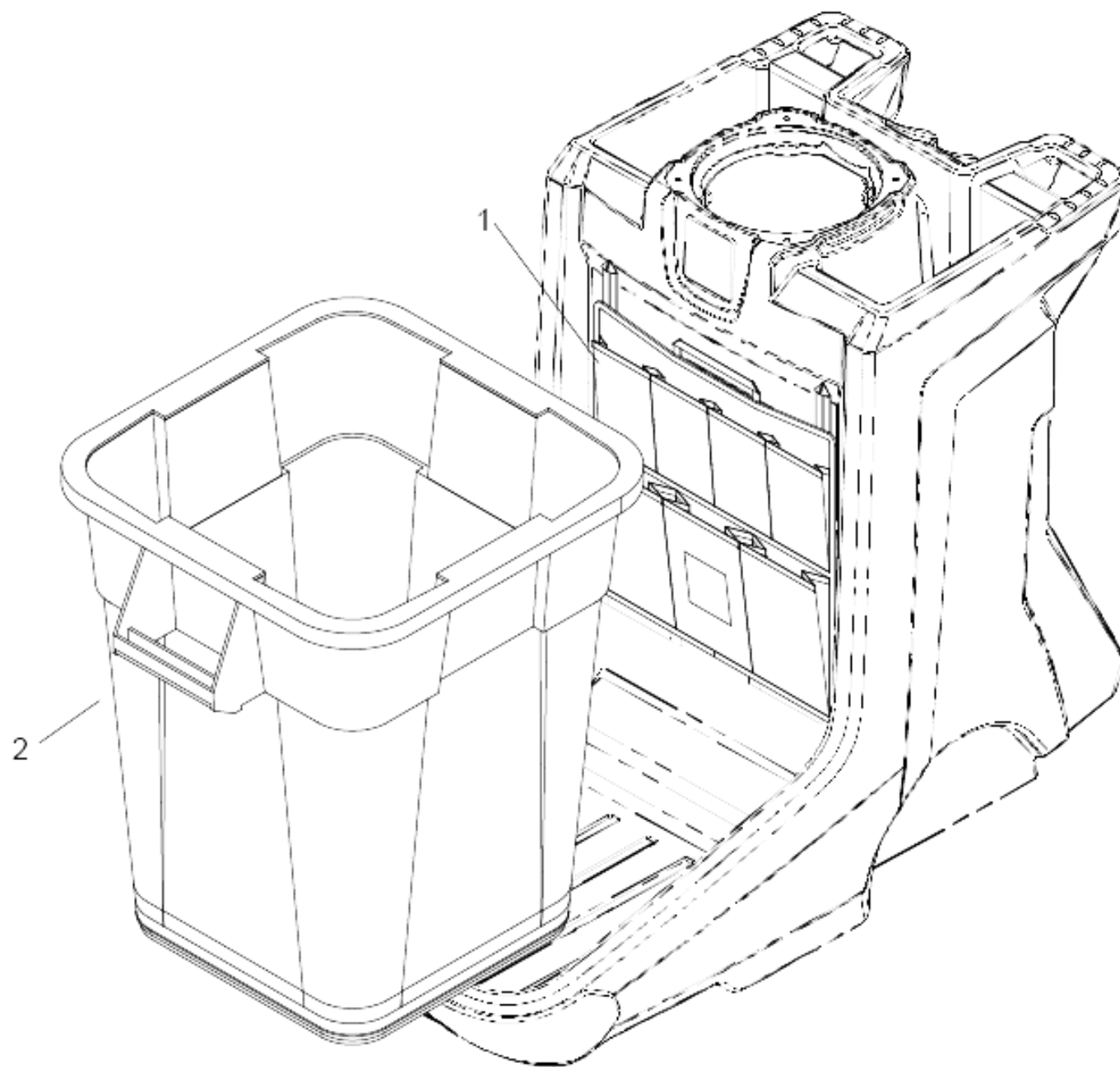
6 WAND

POS	Article no.	Description	Quantity	Unit
1	8.640-361.0	Assembly handle hose 20 FT	1.000	ST
2	8.640-204.0	WAND, TELESCOPIC, ALUM	1.000	ST
3	8.634-487.0	BRUSH, DUST	1.000	ST
4	6.907-410.0	Combination nozzle packaged basalt grey	1.000	ST
5	6.903-403.0	Crevice nozzle DN32	1.000	ST



7 WHEELS

POS	Article no.	Description	Quantity	Unit
1	8.640-877.0	Strap static .25T X 1.12W X 8L	1.000	ST
2	8.640-276.0	Screw 5/16-18 X 1/2 TTRHMS SS BLK ZNPLT	11.000	ST
3	8.640-181.0	Bracket rear wheel mount	1.000	ST
4	8.640-180.0	CASTER, 5" DIA SWIVEL	2.000	ST
5	8.640-179.0	Plate caster mount	1.000	ST
7	8.630-979.0	Wheel 12" x 2.25"	2.000	ST
8	8.630-007.0	HUBCAP, 9.75" WHEEL, BLACK	2.000	ST
11	9.802-776.0	NUT, 5/16-18, ESNA	8.000	ST
12	8.601-073.0	WASHER, 5/8 X .64 X 1.188 SS	2.000	ST
13	8.600-166.0	HUBCAP, 5/8" SHAFT	2.000	ST



8 TRASH ACCESSORIES

POS	Description	Quantity	Unit
1	POUCH, CART SUPPLIES	1.000	ST
2	CAN, TRASH, 40 GAL, BLK	1.000	ST

100 ECO! CART SERIAL NUMBER

POS	Description	Quantity	Unit
10	SERIAL NUMBER PAGE	1.000	ST
