

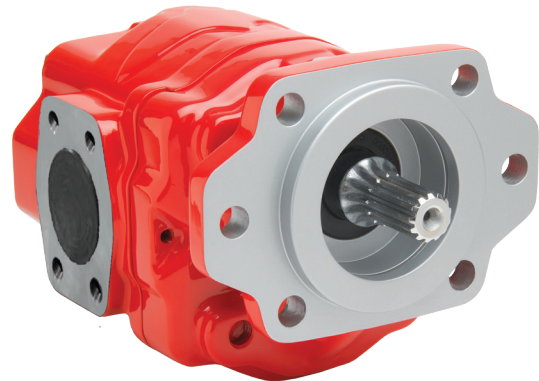
# OPTIMUM<sup>®</sup> X SERIES

## LIVE-FLOOR PUMP



## DESIGNED FOR OPTIMUM PERFORMANCE

The Optimum X Series gear pumps/motors offer premier performance for a wide variety of applications across several industries. Featuring the innovative OPTI-GRIP technology, the Optimum X Series exemplifies strength, endurance and rigidity making for long lasting units even in the most extreme conditions. The Optimum X series is available with the correct displacement, port sizes and configurations for live floor applications.



## KEY FEATURES

- OPTI-GRIP (patented) design
- Long life, high performance bushings
- Noise reducing, quiet design
- High quality, tested design
- 2" split flange inlet, -16SAE outlet, -6 gauge outlet
- CCW or CW port arrangement
- Fewer potential leak points
- Additional features & benefits

## PUMP SPECIFICATIONS

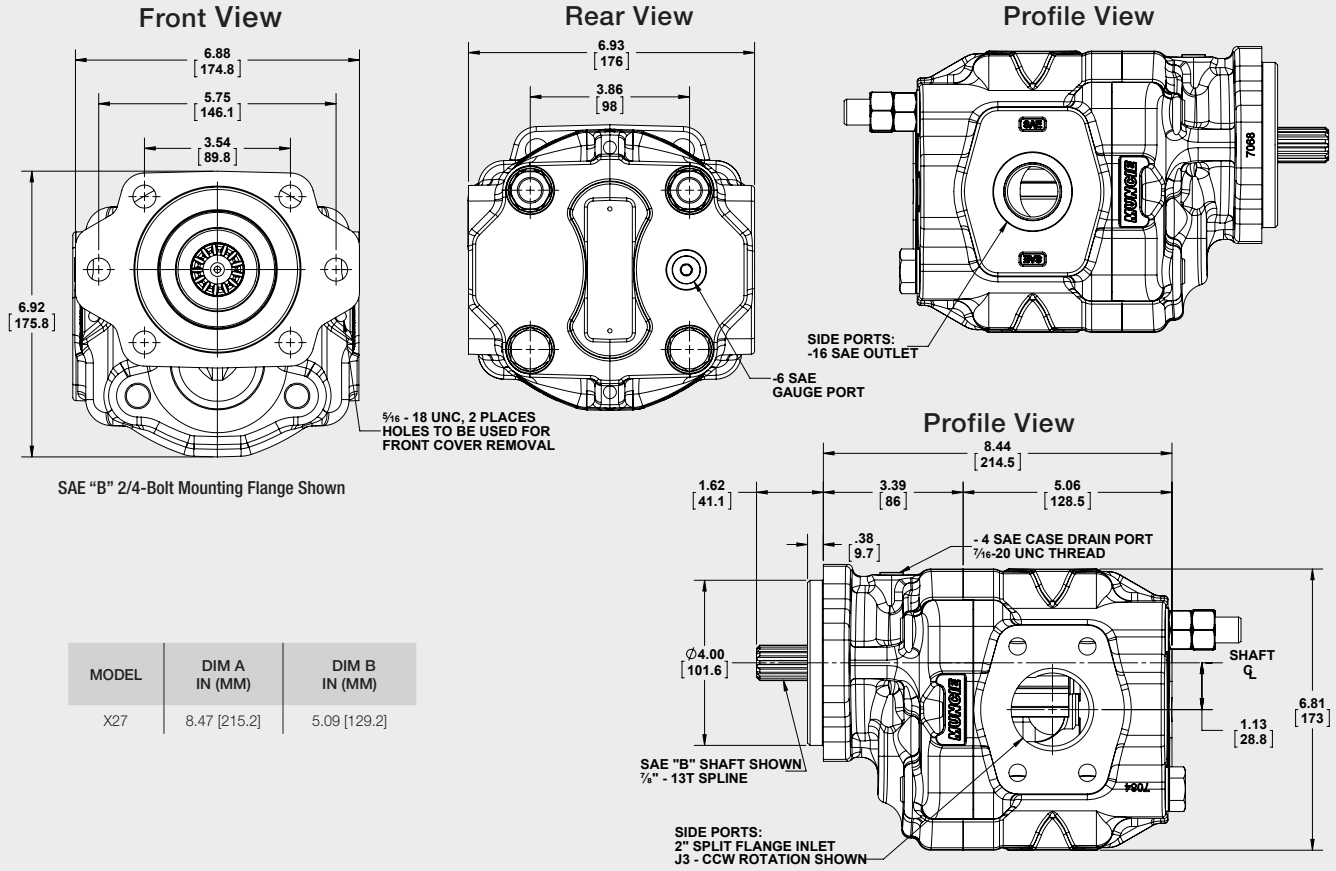
MODEL NUMBER	DISPLACEMENT IN <sup>3</sup> (CC)	MAX RPM	MIN RPM	MAX PRES PSI (BAR)	PORT (ODT) REAR	PORTS (SF X ODT) SIDE ONLY	WEIGHT LBS (KG)
X27	6.35 (104)	2,500	600	3,000 (210)	-6	2.0" X 1.0"	61.1 (27.7)

### Notes:

- MAX RPM is shown at 0 in.hg. and with an appropriately sized inlet hose
- MAX motor back pressure is not to exceed 150 PSI (10 BAR)
- MAX inlet vacuum is not to exceed 5in.hg. (0.17BAR)
- Weights shown are for single, direct mount pumps

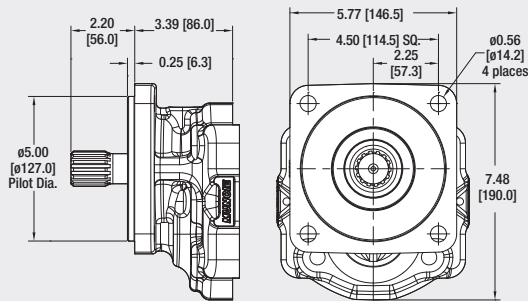
The 3-D diamond-like design appearing on Muncie's hydraulic pumps is a trademark of Muncie Power Products, Inc., Muncie, Indiana (USA), registered in the United States and various foreign countries.

# DIMENSIONS



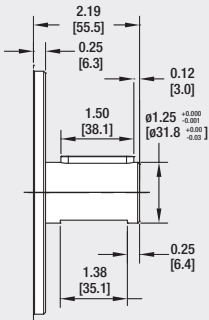
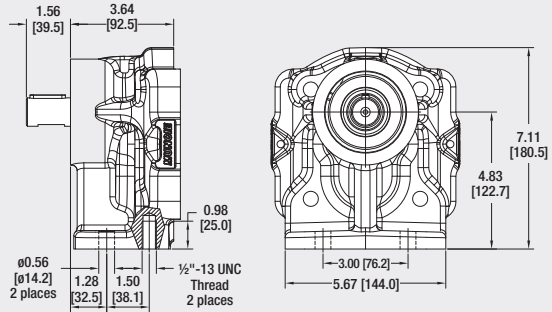
## SAE "C" 4-Bolt Mounting Flange

Shown with SAE "C" 1.25" - 14T shaft



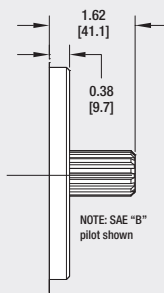
## Muncie's Remote Mount "R" Mounting Flange

Shown with SAE "BB" 1.0" round shaft



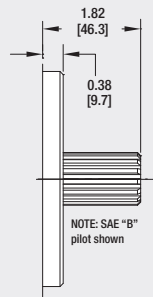
**SHAFT CODE 07**  
 SAE "C" 1.25" Rd.  
 Shaft with 7/16" key

NOTE: SAE "C" pilot shown



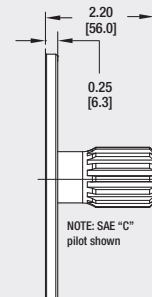
**SHAFT CODE 02**  
 SAE "B" 7/8" - 13T Spline

- SAE external involute spline
- 7/8" nominal diameter, 13 teeth
- 1/32 diametrical pitch
- Flat root side fit
- Major diameter = 0.853" - 0.858" [21.67 - 21.80mm]
- Minor diameter = 0.721" - 0.732" [18.32 - 18.60mm]



**SHAFT CODE 17**  
 SAE "BB" 1.0" - 15T Spline

- SAE external involute spline
- 1.0" nominal diameter, 15 teeth
- 1/32 diametrical pitch
- Flat root side fit
- Major diameter = 0.978" - 0.983" [24.84 - 24.97mm]
- Minor diameter = 0.847" - 0.858" [21.52 - 21.80mm]



**SHAFT CODE 05**  
 SAE "C" 1.25" - 14T Spline

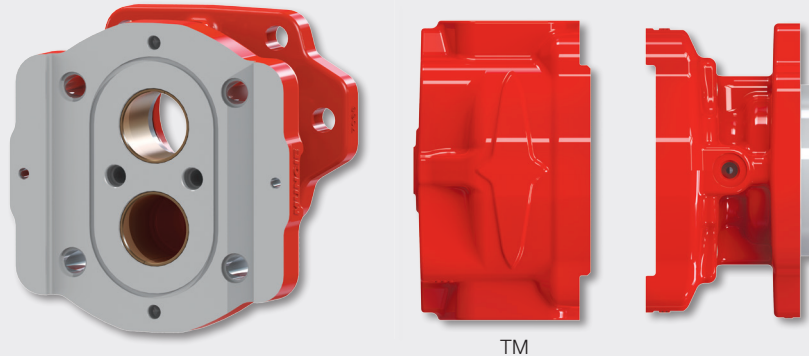
- SAE external involute spline
- 1.25" nominal diameter, 14 teeth
- 12/24 diametrical pitch
- Flat root side fit
- Major diameter = 1.223" - 1.228" [31.06 - 31.19mm]
- Minor diameter = 1.049" - 1.063" [26.66 - 26.99mm]

# OPTI-GRIP® DESIGN

The future of gear pump technology

The Optimum Series' integral, two piece castings are press fit together for greater structural integrity over other traditional designs.

Muncie's OPTI-GRIP technology allows for higher pressure capabilities and a more rigid pump design for long life and maintained performance.



## MODEL NUMBER CONSTRUCTION

**X-27-02-B-J3-PH-DN-A-1-4**

**Series: X**

**GPM (LPM) @ 1,000 RPM, 27(102)**

**Shaft Size & Type**

- 02 - SAE "B" 7/8"-13T spline
- 05 - SAE "C" 1-1/4"-14T spline
- 07\*- SAE "C" 1-1/4" round w/ 5/16 key  
(31.75 round w/ 7.94 key)
- 17 - SAE "BB" 1.0"-15T spline

**Mounting Flange & Type:**

- B - SAE "B" 2/4-Bolt, 4" Pilot Dia.
- C - SAE "C" 4-Bolt, 5" Pilot Dia.
- R - Remote Foot Mount

**Mounting Flange Configuration\*:  
Bi-rotational Internals**

- J2 - CW w/o O.B. Bearing, w/ 1/4" SAE Drain
- J3 - CCW w/o O.B. Bearing, w/ 1/4" SAE Drain
- J4 - CW w/ O.B. Bearing, w/ 1/4" SAE Drain
- J5 - CCW w/ O.B. Bearing, w/ 1/4" SAE Drain

**Assembly Sections:**

- 4 - Single unit, with extended studs

**Design Number: 1**

**Additional Attributes:**

- A - High pressure shaft seal\*\*
- W - Extra seal and drain for wet spline

**Rear Ports, Size & Type:**

- DN - SAE -6 Gauge Port (outlet side only)

**Side Ports, Size & Type**

- Combination
- PH - 2" SF Inlet x SAE -16 Outlet

\* It is recommended that pumps with a round keyed shaft use an outboard bearing to assist with radial loads.

\*\* 150 PSI MAX back-pressure

# OPTIMUM SERIES GENERAL INFORMATION

## Oil Recommendations

Muncie Power Products does not promote specific manufacturer's brands of oil, but does recommend the use of quality petroleum-based hydraulic fluids. Different climate temperatures require that the oil viscosity be appropriate for the operating conditions. Consult the oil manufacturer for your exact application needs.

Note: NEVER dilute the hydraulic fluid for cold weather operation with, including but not limited to, diesel fuel, kerosene, etc.

- **Oil Viscosity:** 60-1,000 SSU (10.5-215 cST) for continuous operation. Viscosity should not exceed 7,500 SSU (1,600 cST) at start-up.
- **Special Fluids:** Biodegradable and water-glycol type fluids are acceptable for use with the Optimum™ Series Pumps/Motors.

## Inlet/Outlet Condition

- Maximum inlet vacuum should not exceed 5 in.Hg. across all operating RPM's and temperature conditions.
- An undersized inlet port size could have maximum RPM limitations.
- An oversized outlet port size could have maximum pressure limitations.

## Operating Temperatures

Proper control of the system operating temperature is critical for long product life and the protection of all other hydraulic components.

- Ideal operating temperatures: 100°F-140°F (37.8°-60°C)
- MAX Continuous temperature: 180°F (82.2°C)
- MAX Intermittent temperature: 200°F (93.3°C)

## Hose Sizing

Hydraulic hose must be properly sized based on the oil velocity in feet per second (FPS) and of the appropriate type (SAE rating) for the specified rate of flow and pressure. The following are hose recommendations for common applications; hose requirements may differ for non-standard applications.

- Inlet hose: 2-4 FPS, SAE 100R4 type
- Pressure hose: 7-15 FPS, SAE 100R2 type
- Return hose: 4-8 FPS, SAE 100R1 type

## Filtration Recommendations

Proper filtration is vital to the life of any hydraulic system since it helps protect hydraulic components from foreign objects which may have entered the system.

- **Return Line Filters:** Return filters are always recommended with a minimum 10 type micron rating. Some applications require better filtration with an absolute rating and possibly 3 or 6 micron media.
- **Pressure Filters:** Pressure filters are not typically required for gear pump applications, but they are available if desired.
- **Suction Strainers:** Suction strainers are very useful in catching large objects. Strainers should never be sized smaller than 100 mesh (149 micron), and should always include a 3 PSI (0.2 bar) bypass.

## Oil Cleanliness Recommendations (ISO 4406-1999)

- @ 2,000 PSI (138 bar): 20/17/15
- @ 3,000 PSI (207 bar): 19/17/14
- @ 4,000+ PSI (276+ bar): 17/15/12