

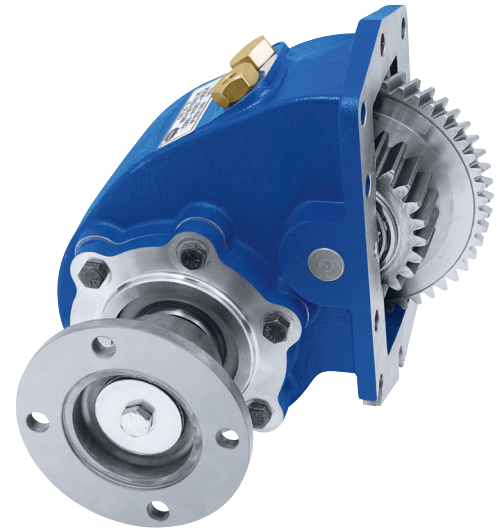
CD05 SERIES

POWER TAKE-OFF



DESIGNED FOR TIGHT MOUNT APPLICATIONS

A constant drive power take-off, the CD05 Series power take-off is designed to fit tight mount applications. Without loss of torque or horsepower, the CD05 uses the same components as the CD10 but is approximately 15 percent smaller



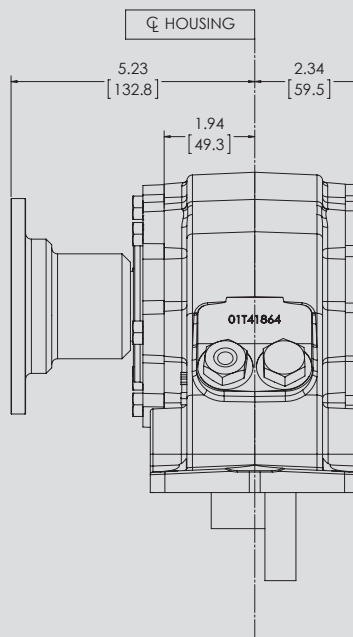
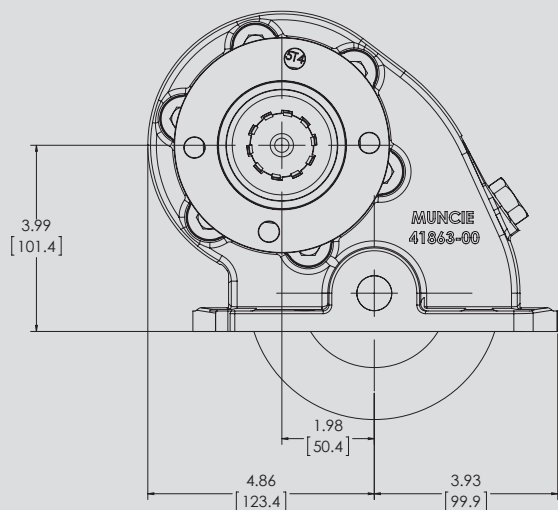
KEY FEATURES

- Up to 360 lb. ft. torque capacity and 68 H.P. @1000 RPM: Power to drive high volume pumps
- Two standard output shafts in both keyed and flange types: Versatility for remote pump drives
- Five speed ratios
- Two assembly arrangements: Allows the PTO to be mounted shaft high or low on either side of the transmission
- Standard pressure lubrication: No extra cost

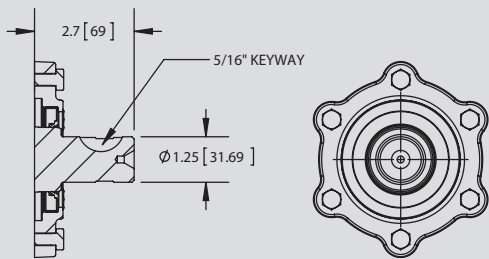
PTO TORQUE & HORSEPOWER RATINGS

SPEED RATIO	INTERMITTENT HP@1000 RPM	INTERMITTENT TORQUE LBS.FT.	CONTINUOUS TORQUE LBS.FT.	INTERMITTENT [KW]@1000 RPM	INTERMITTENT TORQUE [NM]	CONTINUOUS TORQUE [NM]
07	68	360	252	[51]	[488]	[342]
08	64	336	235	[48]	[456]	[319]
10	59	310	217	[44]	[420]	[294]
12	50	260	182	[37]	[352]	[246]
15	43	225	158	[32]	[305]	[214]

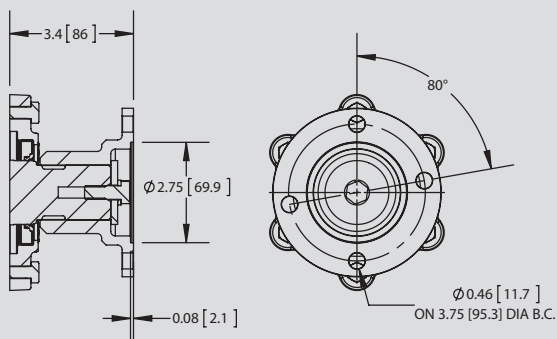
DIMENSIONS



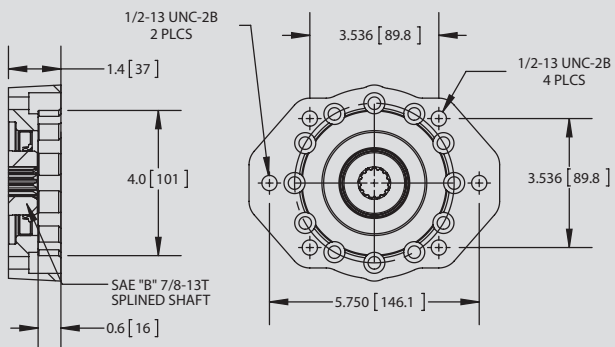
OUTPUT OPTIONS



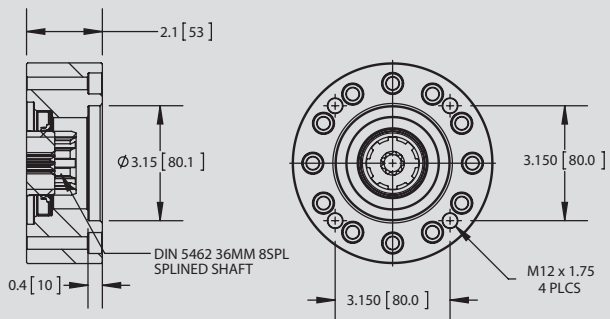
"B" OUTPUT - 1.25" RD SHAFT W/ 5/16" KEY



"C" OUTPUT - 1410 COMP FLANGE

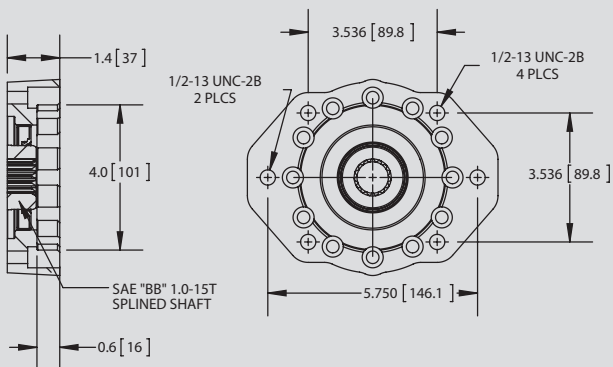


"D" OUTPUT - SAE "B" 2/4 BOLT

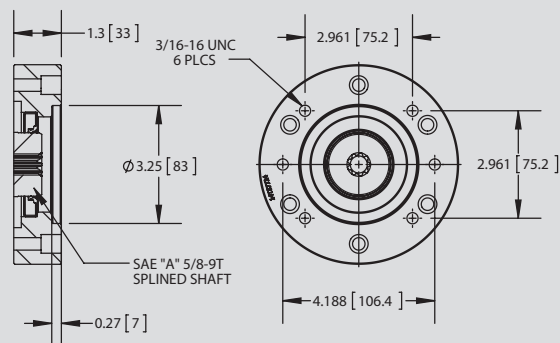


"I" OUTPUT - DIN 5462

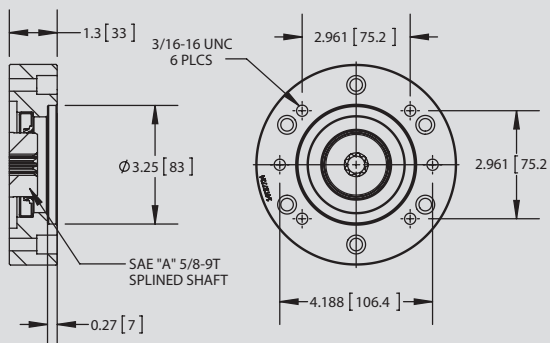
OUTPUT OPTIONS



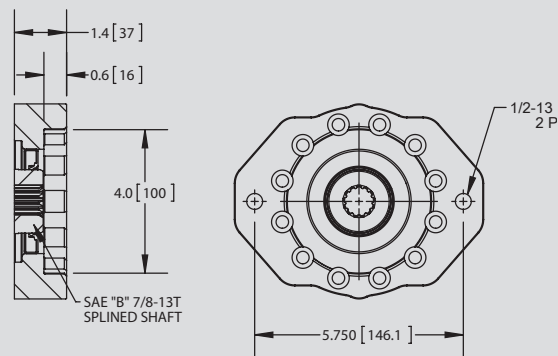
"P" OUTPUT - SAE "B" 2/4 BOLT FLANGE
SAE "BB" 1"-15T SHAFT



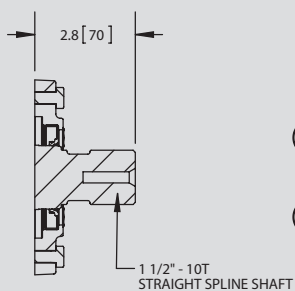
"R" OUTPUT - SAE "A" 2/4 BOLT



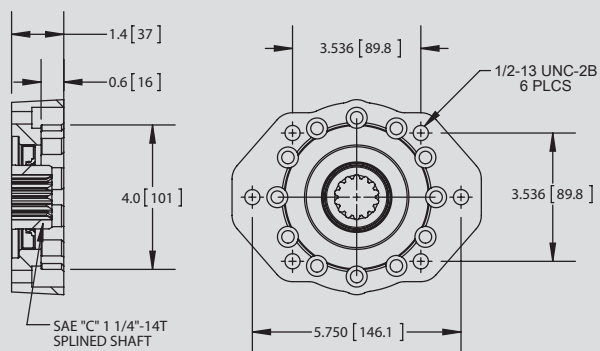
"R" OUTPUT - SAE "A" 2/4 BOLT



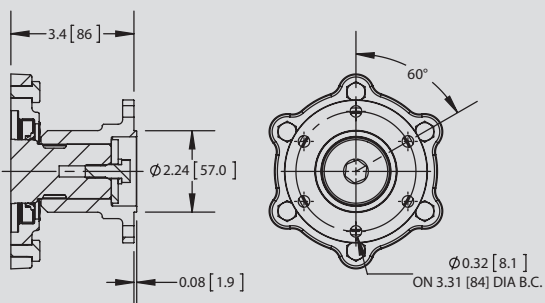
"S" OUTPUT - SAE "B" 2 BOLT



"X" OUTPUT - 1 1/2"-10T SHAFT
FOR COMP FLANGE



"Z" OUTPUT - SAE "B" 2/4 BOLT FLANGE
SAE "C" 1 1/4"-14T SHAFT



"2" OUTPUT - DIN120 COMP FLANGE

*Direct mount flanges not usable on Allison 4000 transmissions

MODEL NUMBER CONSTRUCTION

CD-05-A10-07 M-3-B-X

PTO Type

Constant Drive — CD

Mounting

10 Bolt Mount/Design Code — 05

Transmission Gear Data

Allison 10.16P LH — A10

Speed Ratio

07 — .74:1

08 — .84:1

10 — .97:1

12 — 1.19:1

15 — 1.47:1

Shifter Type

Constant Mesh — M

Special Features

- X — None
- B — Hose Kit (48")
- D — Pulse Generator & SPD1001D
- U — Pulse Generator
- 2 — Hose Kit (36")
- 3 — Hose Kit (17")
- 4 — Lube Hose Delete

Output Types

- B — 1-1/4 Rd. 5/16KW
 - C — 1410 Companion Flange
 - D — SAE "B" 2 & 4 Bolt*
 - I — DIN 5462*
 - P — SAE "BB" 2 & 4 Bolt*
 - Q — SAE "A" 2 Bolt / SAE "B" 7/8-13T Shaft*
 - R — SAE "A" 2 & 4 Bolt*
 - S — SAE "B" 2 Bolt*
 - Z — SAE "B" 2 & 4 Bolt / SAE "C" 1.25-14T Shaft*
 - 2 — DIN 100 Flange
- *Direct mount flanges not usable on Allison 4000 transmissions

Assembly Arrangement

- 1
- 3

