

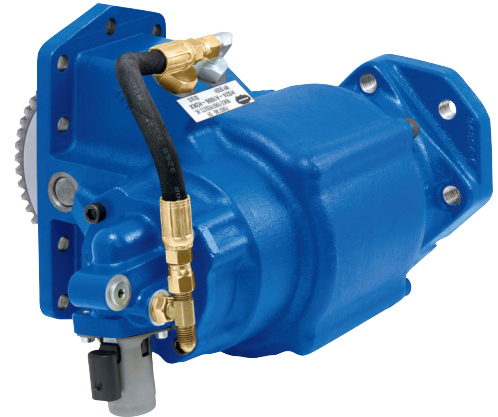
HS24 SERIES

POWER TAKE-OFF



FOR LIMITED CLEARANCE APPLICATIONS

A solution for limited clearance applications, the HS24 Series power take-off features a sculptured housing designed to clear mounting obstructions and a direct mount solenoid for a clean and simple installation.



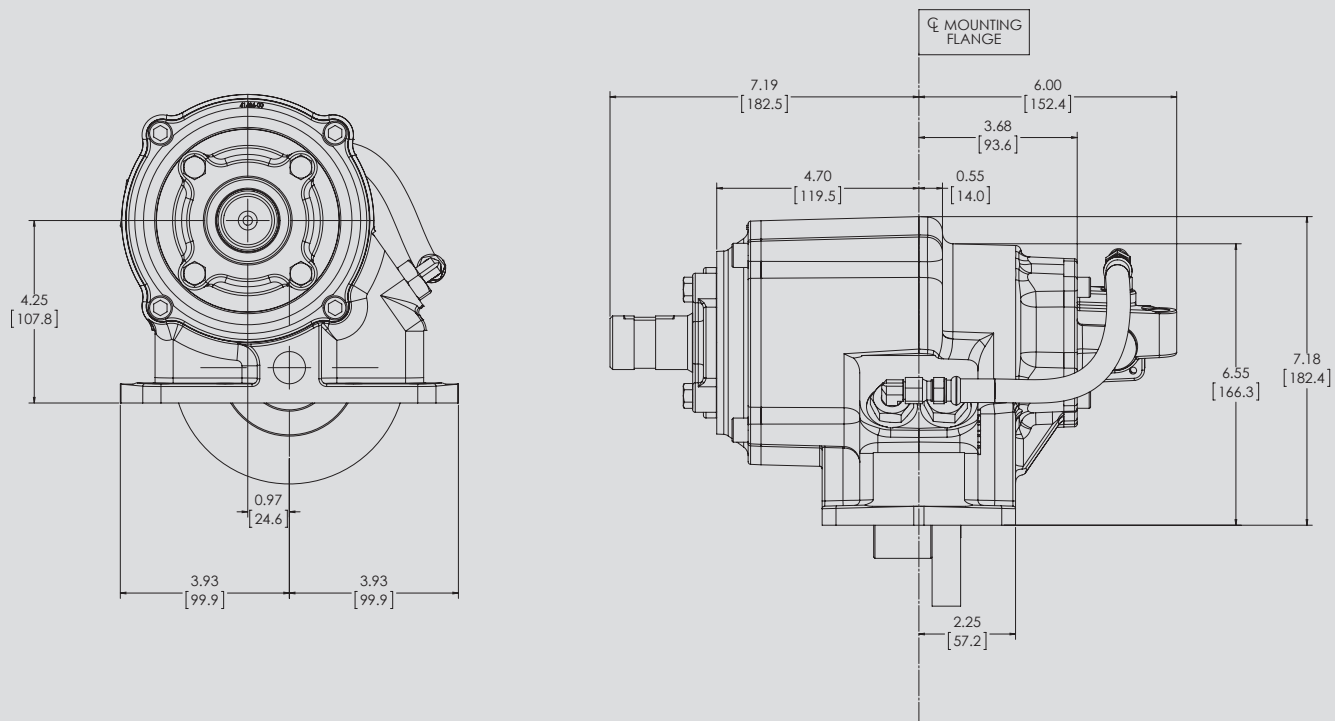
KEY FEATURES

- Power-Dense Design: Provides up to 325 lb. ft. torque
- Sculptured Housing: Fits in tight spaces
- Rotatable direct mount flanges: Allows pump to be positioned for maximum clearance
- Integral Solenoid: Reduces installation time
- Muncie drag brake prevents shaft rotation in the "OFF" mode
- Standard pressure lubrication: No extra cost

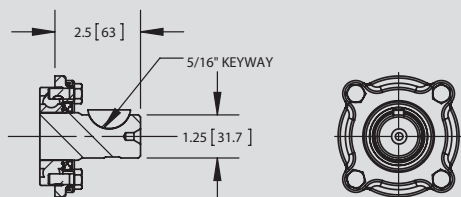
PTO TORQUE & HORSEPOWER RATINGS

SPEED RATIO	INTERMITTENT HP@1000 RPM	INTERMITTENT TORQUE LBS.FT.	CONTINUOUS TORQUE LBS.FT.	INTERMITTENT [KW]@1000 RPM	INTERMITTENT TORQUE [NM]	CONTINUOUS TORQUE [NM]
06	62	325	228	[46]	[440]	[308]
07	58	305	214	[43]	[414]	[290]
09	55	290	203	[41]	[393]	[275]
12	48	250	175	[36]	[338]	[237]

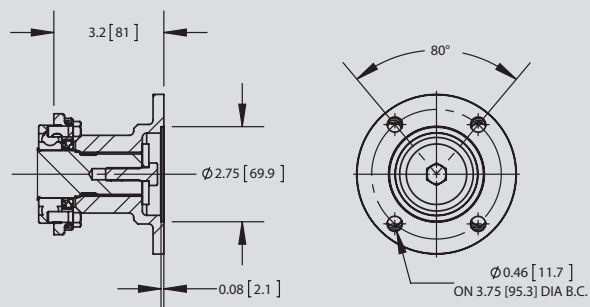
DIMENSIONS



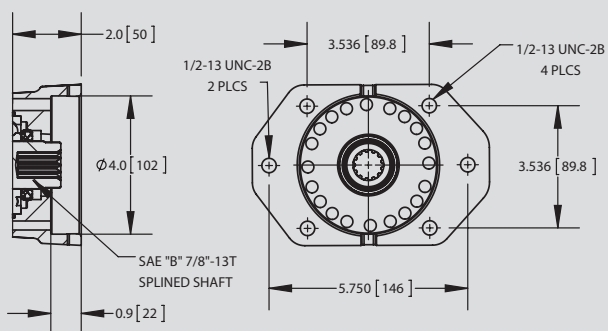
OUTPUT OPTIONS



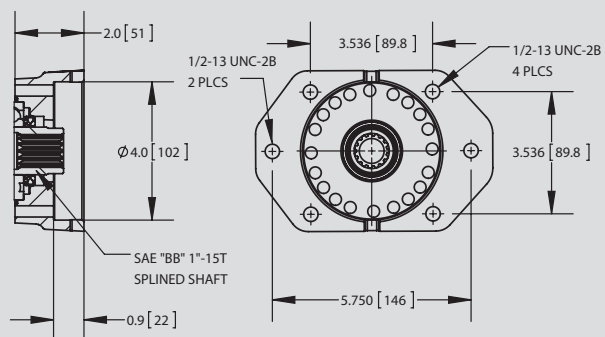
"B" OUTPUT - 1.25" RD SHAFT W/ 5/16" KEY



"C" OUTPUT - 1410 COMP FLANGE

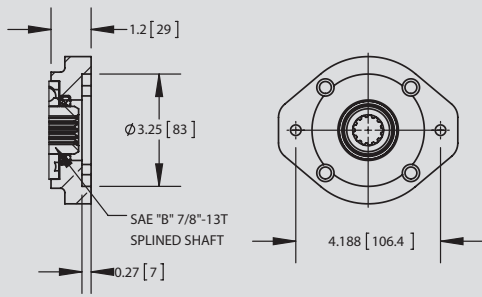


"K" OUTPUT - SAE "B" 2/4 BOLT

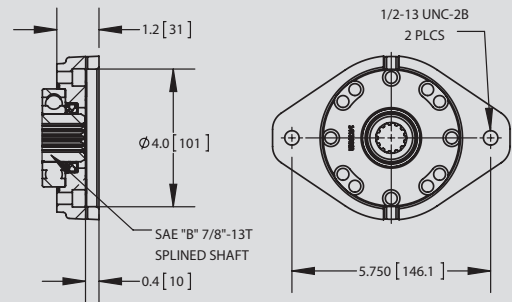


"P" OUTPUT - SAE "B" 2/4 BOLT FLANGE
SAE "BB" 1'-15T SPLINED SHAFT

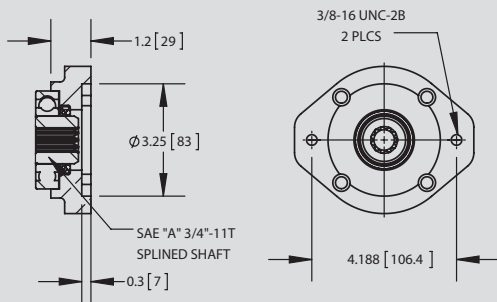
OUTPUT OPTIONS (CONT)



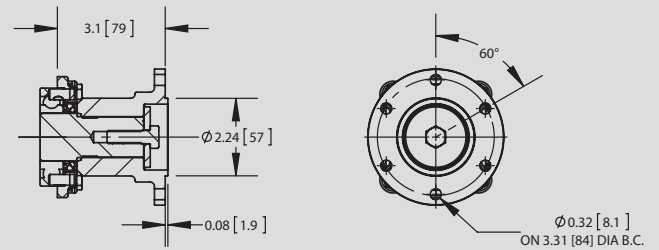
"Q" OUTPUT - SAE "A" 2 BOLT FLANGE
SAE "B" 7/8"-13T SPLINED SHAFT



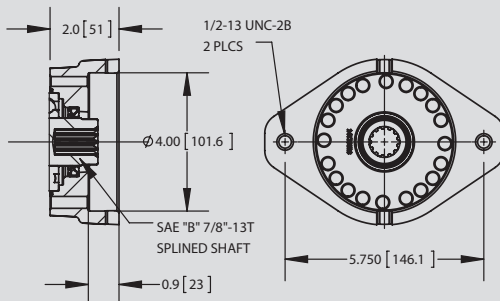
"S" OUTPUT - SAE "B" 2 BOLT



"T" OUTPUT - SAE "A" 2 BOLT FLANGE
SAE "A" 3/4"-11T SPLINED SHAFT



"2" OUTPUT - DIN 100 COMP FLANGE



"6" OUTPUT - SAE "B" 2 BOLT SPECIAL

MODEL NUMBER CONSTRUCTION

HS-24-A10-07 H-3-K-X

PTO Type

Clutch Shift — HS

Mounting

10-Bolt Mount, Sculptured Housing — 24

Transmission

Allison

Gear Data

10.10P RH — A10

Speed Ratio

06 — 0.56:1

07 — 0.70:1

09 — 0.87:1

12 — 1.15:1

Shifter Type

Electric/Hydraulic (12 Volt) — H

Electric/Hydraulic (24 Volt) — J

Less Activation Kit — P

Assembly Arrangement

1

3

Special Features

X — None

B — Hose Kit (HD Trans. R.S.)

D — Pulse Generator & SPD1001D

U — Pulse Generator

2 — Hose Kit Special 36"

3 — Hose Kit Special 17"

Output Types*

B — 1-1/4" Rd; 5/16" KW

C — 1410 Companion flange

K — SAE "B" 2 & 4 Bolt 7/8" - 13T

P — SAE "BB" 2 & 4 Bolt 1" - 15T

Q — SAE "A" 2-Bolt 7/8" - 13T

S — SAE "B" 2-Bolt 7/8" - 13T

T — SAE "A" 2-Bolt 3/4" - 11T

2 — DIN 100 companion flange

6 — SAE "B" 2-Bolt 7/8" - 13T

* Larger shaft options. I, D, or Z are not available.

