

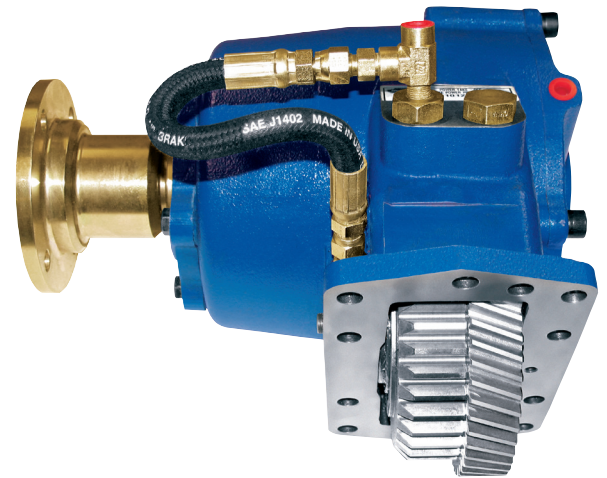
CS40/41 SERIES

CLUTCH SHIFT POWER TAKE-OFF



HIGHEST OUTPUT TORQUE AVAILABLE

When you need the max power from an Allison 3000 or 4000 and Caterpillar CX transmission, the CS40/41 Series power take-off delivers. Constructed with the widest gears possible, the CS40/41 is built for maximum strength, noise reduction, durability and the highest output torque rating available.



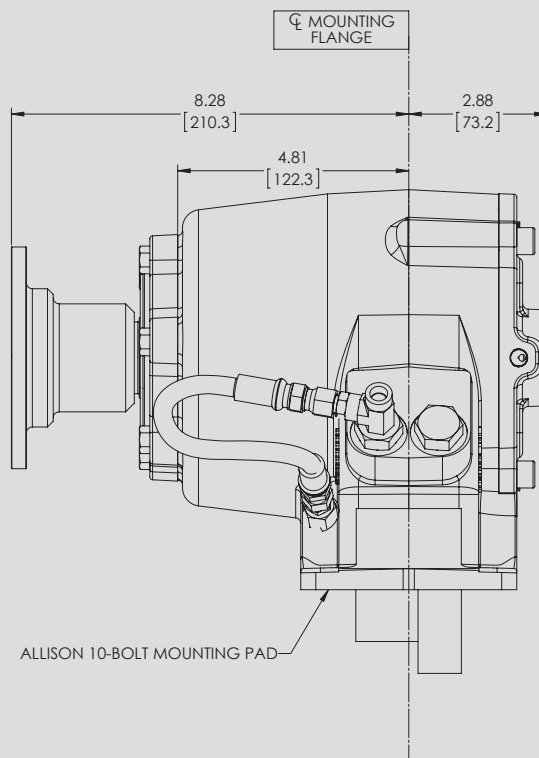
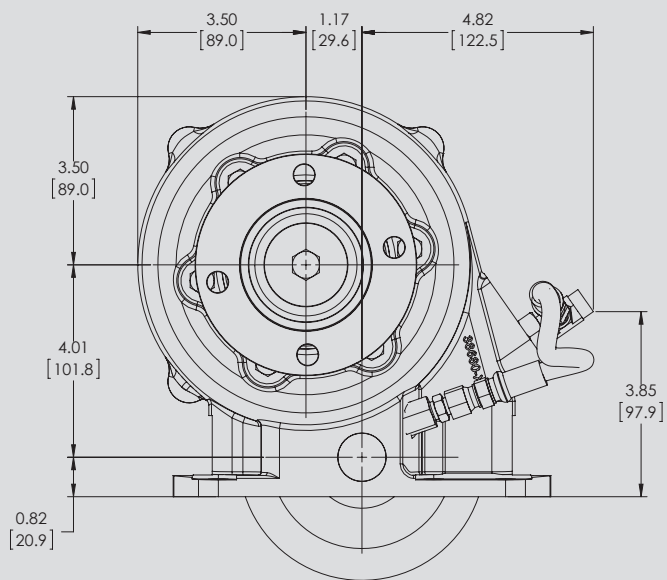
KEY FEATURES

- Precision ground gears: High torque capacity with quiet operation
- Extra large bearings & components: High torque and durability
- 1410 series remote mount output shaft: For remote pump drives
- S.A.E. "C" and DIN 5462 direct mount options: Fits most popular pumps requiring high power input
- Rotatable direct mount flanges: Allows pump to be positioned for maximum clearance
- Two assembly arrangements: Allows the PTO to be mounted shaft high or low on either side of the transmission
- Standard pressure lubrication: No extra cost

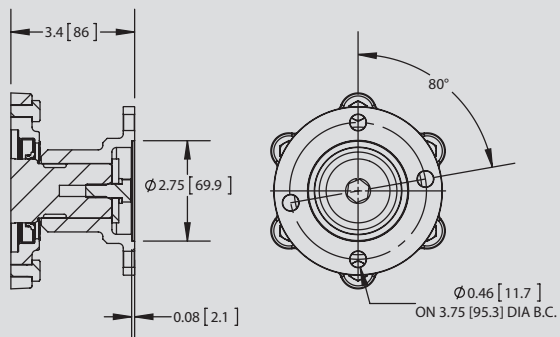
PTO TORQUE & HORSEPOWER RATINGS

SPEED RATIO	INTERMITTENT HP@1000 RPM	INTERMITTENT TORQUE LBS.FT.	CONTINUOUS TORQUE LBS.FT.	INTERMITTENT [KW]@1000 RPM	INTERMITTENT TORQUE [NM]	CONTINUOUS TORQUE [NM]
07	114	600	420	[85]	[813]	[569]
10	103	545	382	[76]	[739]	[517]
12	93	490	343	[70]	[664]	[465]

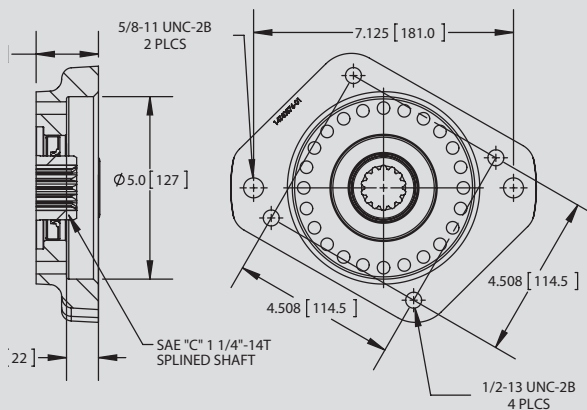
DIMENSIONS



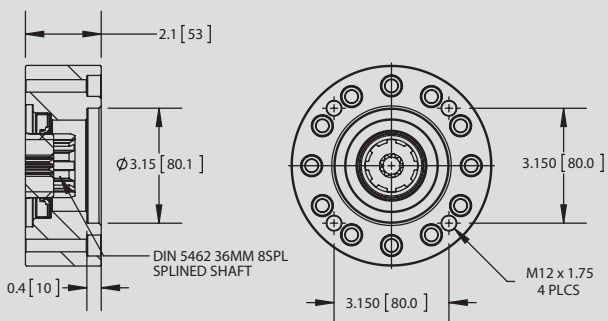
OUTPUT OPTIONS



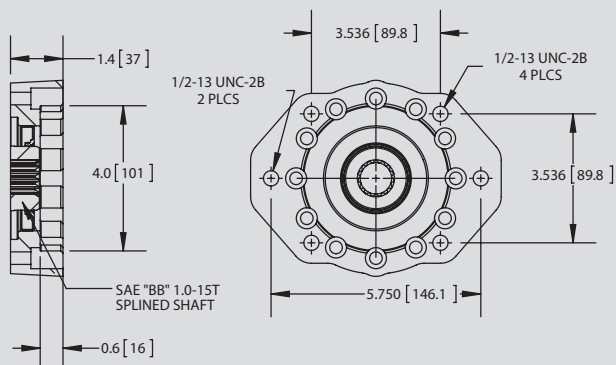
"C" OUTPUT - 1410 COMP FLANGE



"E" OUTPUT - SAE "C" 2/4 BOLT

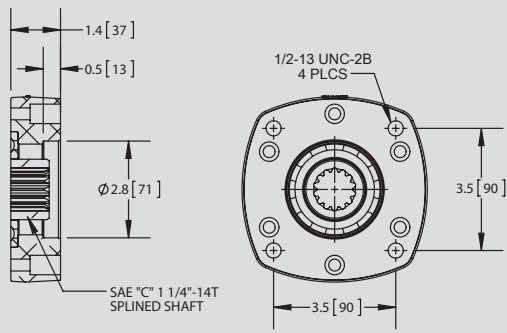


"I" OUTPUT - DIN 5462

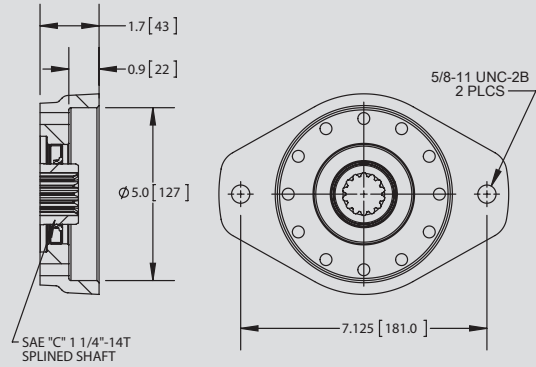


"P" OUTPUT - SAE "B" 2/4 BOLT FLANGE
SAE "BB" 1"-15T SHAFT

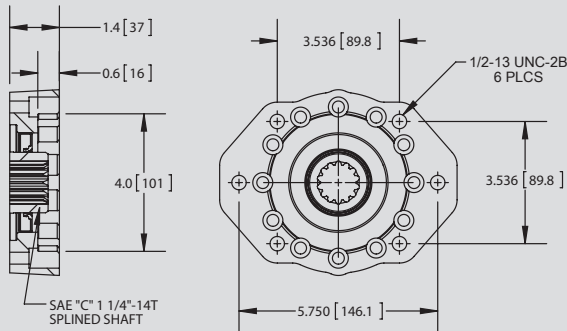
OUTPUT OPTIONS



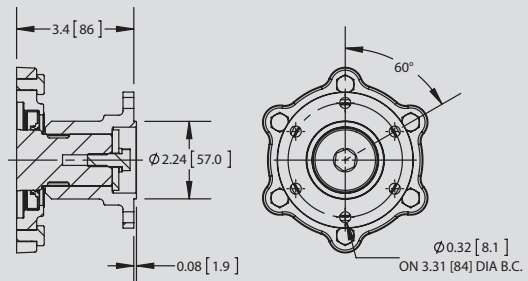
"V" OUTPUT - FOR MUNCIE EXTENDED SHAFT



"Y" OUTPUT - SAE "C" 2 BOLT



"Z" OUTPUT - SAE "B" 2/4 BOLT FLANGE
SAE "C" 1 1/4'-14T SHAFT



"2" OUTPUT - DIN120 COMP FLANGE

MODEL NUMBER CONSTRUCTION

CS-41-A10-07-H-3-C-X

PTO Type

Clutch Shift — CS

Mounting

10-Bolt Mount — 40

10-Bolt Mount - Remote Solenoid — 41

Transmission

Allison 10.16P RH — A10

Caterpillar 9.55P 20° PA 19.7LH — C95

Speed Ratio

07 — 0.74:1

10 — 1.06:1

12 — 1.20:1

Shifter Type

Electric Hydraulic 12V — H

Electric Hydraulic 24V — J

Special Features

X — None

B — Hose Kit (HD Trans. R.S.)

D — Pulse Gen. & SPD1001D

U — Pulse Generator

3 — Spl. Hose Kit 17"

Output Types

C — 1410 Comp. Flange

E — SAE "C" 2 or 4-Bolt

I — DIN 5462

P — SAE "BB" 2 & 4 Bolt

V — For Muncie Extended Shaft*

*Extended Shaft not included

Y — SAE "C" 2-Bolt Only

Z — SAE "C" Shaft, SAE "B" Flange

2 — DIN Comp. Flange

Assembly Arrangement

1

3



Muncie Power Products, Inc., Member of Interpump Group
201 East Jackson Street, Muncie, Indiana, USA 47305
1-800-367-7867

Specifications are subject to change without notice. All rights reserved.
Please check www.munciepower.com for warranties and current versions of literature.
MP15-23 (Rev. 02-15)