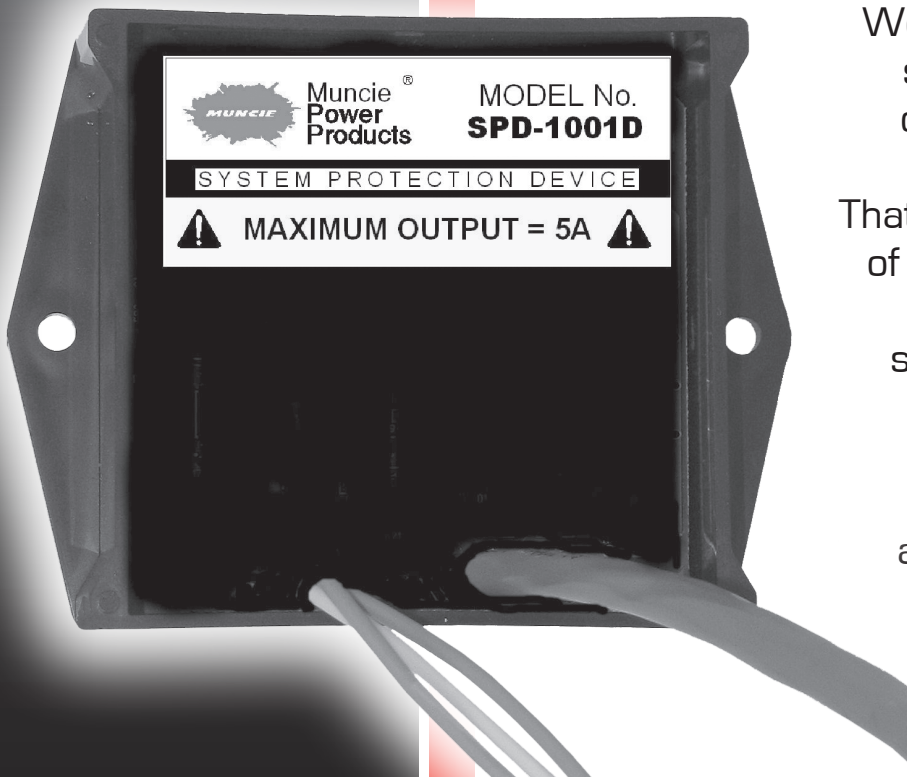




**Muncie®
Power
Products**

MUNCIE SPD-1001D

SYSTEM PROTECTION DEVICE



Work trucks are often used in situations which require the operator to focus on the job rather than the equipment. That is when a high percentage of equipment damage occurs.

Cylinders can be overpressurized, cylinder rods can be bent, PTOs and pumps can exceed maximum speeds, devices can be activated accidentally or without proper safety procedures in place.

**THESE SITUATIONS
CAN BE PREVENTED**

The Muncie SPD-1001D

In addition to the ability to monitor engine speeds, it can also be activated by:

- **Vehicle Speed**
- **Temperature Signals**
- **Pressure Signals**
- **Position Indicators**
- **Brake Interlock**
- **Many Other Critical Indicators.**

TYPICAL APPLICATIONS INCLUDE:

- Dump Bodies
- Cranes
- Wreckers
- APU's

Equipment for:

- Stationary Hydraulic Systems
- Agriculture
- Snow & Ice Removal
- Aircraft Ground Support
- Refuse Industry
- Construction Industry

Virtually any piece of equipment operated via clutch shifted PTO or incorporating electrical activation of a piece of equipment.

MUNCIE SPD-1001D

FEATURES

SENSE RPM

Vehicle CPU, alternator, or magnetic pick-up. Does not require a different unit. Same unit does it all.

SENSE MPH

Change to the limit that suits the application without changing units. This offers more types of system protection than the RPM only switch.

ADD SAFETY INTERLOCK

With easily added interlocks, the system can be shut down during an overspeed condition or if a limit switch is activated. Switches are not included with unit.

BUILT IN CIRCUIT PROTECTION

If current load exceeds limit, unit will shut down. To reset, turn system off and then back on.

MICROCONTROLLER

It's easy to program, requires no special tools and is rock-solid reliable.

VOLTAGE SENSING

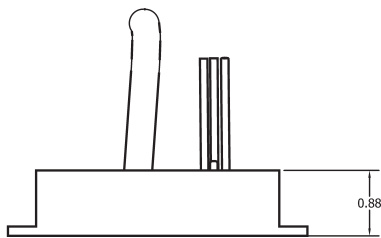
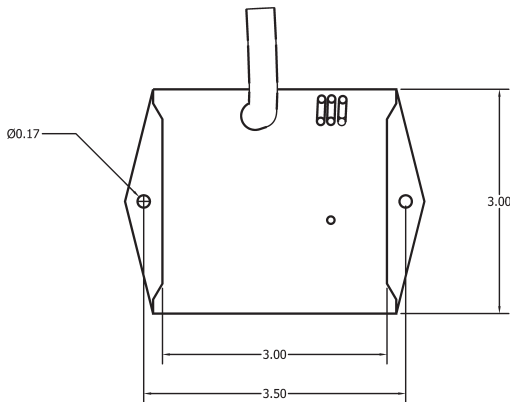
Works on 12VDC or 24VDC Systems.

EASY REPLACEMENT

Similar wiring to EOS products allows for easy replacement if needed.

SEALED COMPONENTS

Mountable either in the cab or engine compartments.



DIMENSIONS

Compact Size: 3" x 3" x .88"



MP07-06 (Rev. 01-15) Printed in the U.S.A.
© Muncie Power Products, Inc. 2009

Muncie Power Products, Inc. Member of the Interpump Hydraulics Group
General Offices and Distribution Center • P.O. Box 548 • Muncie, IN 47308-0548
(765) 284-7721 • FAX (765) 284-6991 • E-mail info@munciepower.com
Web site <http://www.munciepower.com>

Drive Products, Exclusive Agents for Canada, ISO Certified by an Accredited Registrar

