



R SERIES PISTON PUMPS

Ultimate Power and performance in a small package best describes the fixed displacement R Series Piston Pumps. Designed exclusively for those high pressure applications. Muncie's high efficiency and rugged design provide for high performance and extra long life.

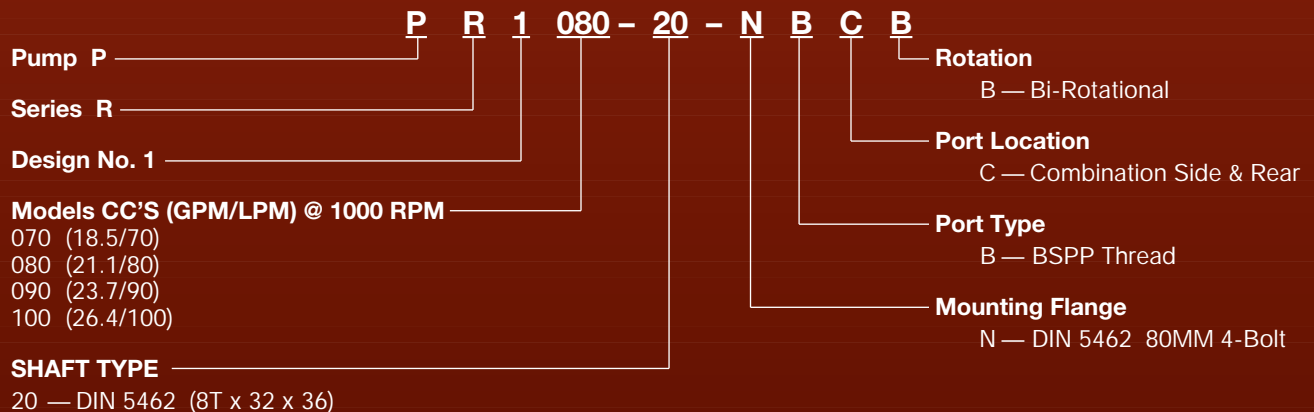


HIGH FLOW
CAPABILITY

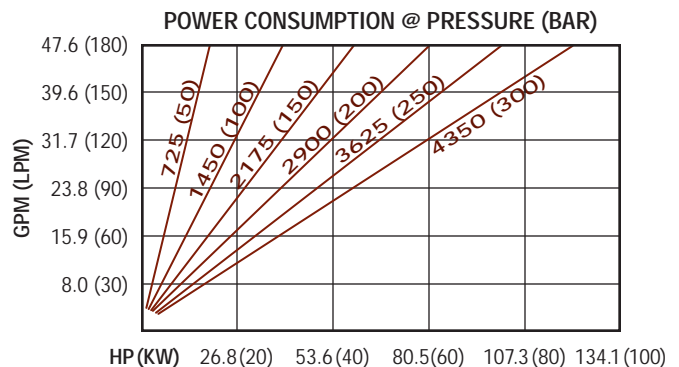
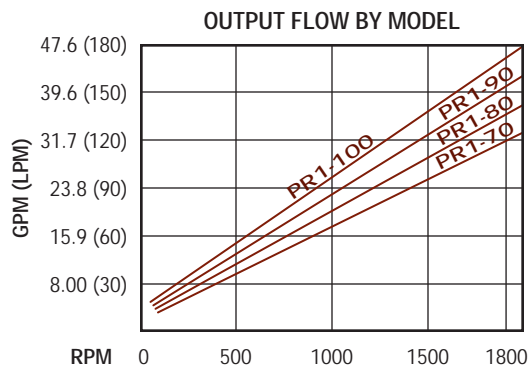
PUMP FEATURES

- FOUR STANDARD SIZES
18-26 GPM (70-100 LPM)
- PRESSURES TO 4350 PSI
(300 BAR) CONTINUOUS DUTY
- SPEEDS TO 1600 RPM
- BIROTATIONAL OPERATION
- DOUBLE SHAFT SEALS
- DIN 5462 4-BOLT SHAFT & FLANGE
- BSPP STRAIGHT THREAD PORTS
- PROVEN EUROPEAN DESIGN
- FULL ONE YEAR WARRANTY

MODEL NUMBER CONSTRUCTION



PUMP PERFORMANCE



PISTON PUMP SPECIFICATIONS

MODEL NO.	DISPL. CU IN (CC)	MAX RPM	MIN RPM	MAX PSI (BAR)	MAX OIL TEMP.	MAX INLET VACUUM	APPROX WEIGHT LBS (KG)
PR1-070	4.27 (70)	1600	600	4350 (300)	180°F (82°C)	6 IN. HG. (.20 BAR)	38.6 (7.5)
PR1-080	4.88 (80)	1600	600	4350 (300)	180°F (82°C)	6 IN. HG. (.20 BAR)	38.6 (7.5)
PR1-090	5.49 (90)	1600	600	4350 (300)	180°F (82°C)	6 IN. HG. (.20 BAR)	38.6 (7.5)
PR1-100	6.10 (100)	1600	600	4350 (300)	180°F (82°C)	6 IN. HG. (.20 BAR)	38.6 (7.5)

Inlet Ports: 1-1/2" Female BSPP Outlet Ports: 1" Female BSPP

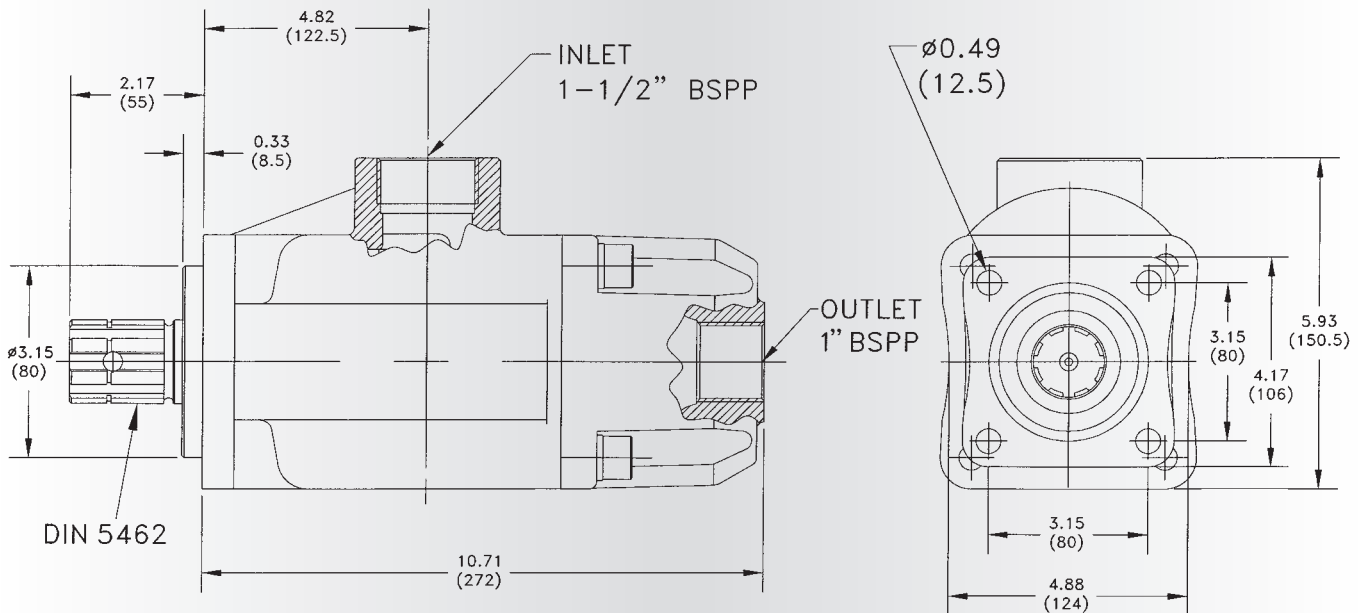
Note: 10 Micron return line filtration recommended. Recommended Oil Viscosity: Cold climate 22cST, Medium climate 37cST, Hot climate 46cST

OPTIONAL FITTINGS

Optional low pressure & high pressure fittings provided for easy connection to typical North American hoses & thread types.

MODEL NO.	DESCRIPTION
R4BP90-32-24	2 INCH HOSE BARB, 90 DEGREE, TO 1-1/2 MALE BSPP, SWIVEL
HC-32-HD	HEAVY DUTY 2 INCH HOSE CLAMP
BP-MJ-24-24P	1-1/2 INCH MALE BSPP, TO -24 MALE JIC
BP-MJ90-24-24P	1-1/2 INCH MALE BSPP, 90 DEG., TO -24 MALE JIC
BP-MJ-16-16P	1 INCH MALE BSPP, TO -16 MALE JIC
BP-MJ45-16-16P	1 INCH MALE BSPP, 45 DEG., TO -16 MALE JIC
BP-MJ90-16-16P	1 INCH MALE BSPP, 90 DEG., TO -16 MALE JIC

MOUNTING DIMENSIONS



MP01-04 (Rev. 2-04) Printed in the U.S.A.
© Muncie Power Products, Inc. 2004

Muncie Power Products, Inc. Member of the Interpump Hydraulics Group
General Offices and Distribution Center • P.O. Box 548 • Muncie, IN 47308-0548
(765) 284-7721 • FAX (765) 284-6991 • E-mail info@munciepower.com
Web site <http://www.munciepower.com>

Drive Products, Inc., Toronto, Exclusive Agents for Canada

