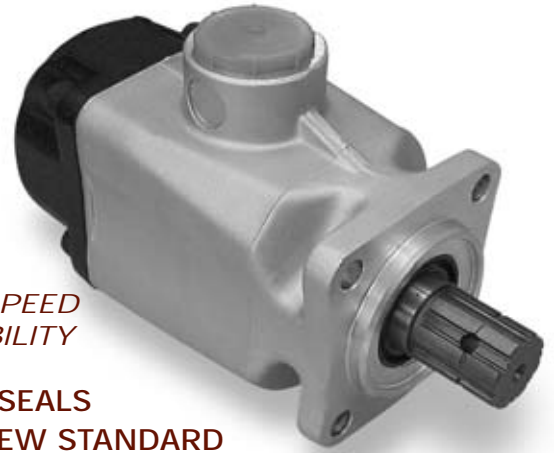




# P SERIES PISTON PUMPS

Ultimate Power and performance in a small package best describes the fixed displacement P Series Piston Pumps. Designed exclusively for those high pressure applications. Muncie's high efficiency and rugged design provide for high performance and extra long life.

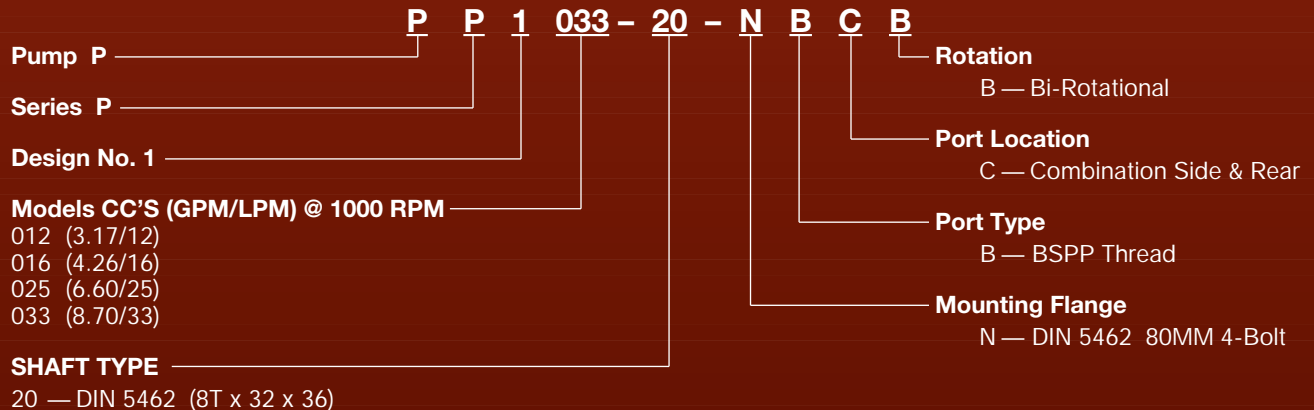


HIGH SPEED  
CAPABILITY

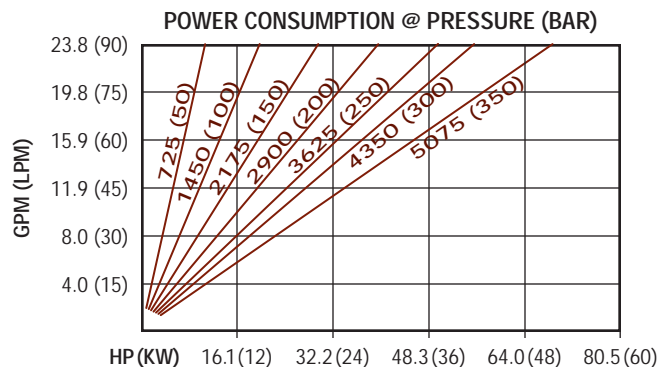
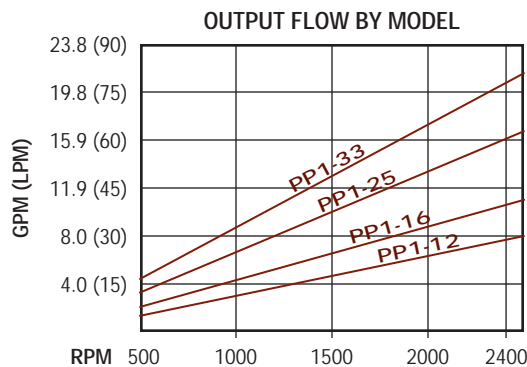
## PUMP FEATURES

- FOUR STANDARD SIZES  
3-9 GPM (12-33 LPM)
- PRESSURES TO 5075 PSI  
(350 BAR) CONTINUOUS DUTY
- SPEEDS TO 2400 RPM
- BIROTATIONAL OPERATION
- DOUBLE SHAFT SEALS
- AIR BLEED SCREW STANDARD
- DIN 5462 4-BOLT SHAFT & FLANGE
- BSPP STRAIGHT THREAD PORTS
- PROVEN EUROPEAN DESIGN
- FULL ONE YEAR WARRANTY

## MODEL NUMBER CONSTRUCTION



## PUMP PERFORMANCE



# PISTON PUMP SPECIFICATIONS

MODEL NO.	DISPL. CU IN (CC)	MAX RPM	MIN RPM	MAX PSI (BAR)	MAX OIL TEMP.	MAX INLET VACUUM	APPROX WEIGHT LBS (KG)
PP1-012	.732 (12)	2400	600	5075 (350)	180°F (82°C)	6 IN. HG. (.20 BAR)	23.2 (10.5)
PP1-016	.976 (19)	2400	600	5075 (350)	180°F (82°C)	6 IN. HG. (.20 BAR)	23.2 (10.5)
PP1-025	1.52 (25)	2400	600	5075 (350)	180°F (82°C)	6 IN. HG. (.20 BAR)	23.2 (10.5)
PP1-033	2.01 (33)	2400	600	5075 (350)	180°F (82°C)	6 IN. HG. (.20 BAR)	23.2 (10.5)

**Inlet Ports:** 1-1/4" Female BSPP **Outlet Ports:** 1" Female BSPP

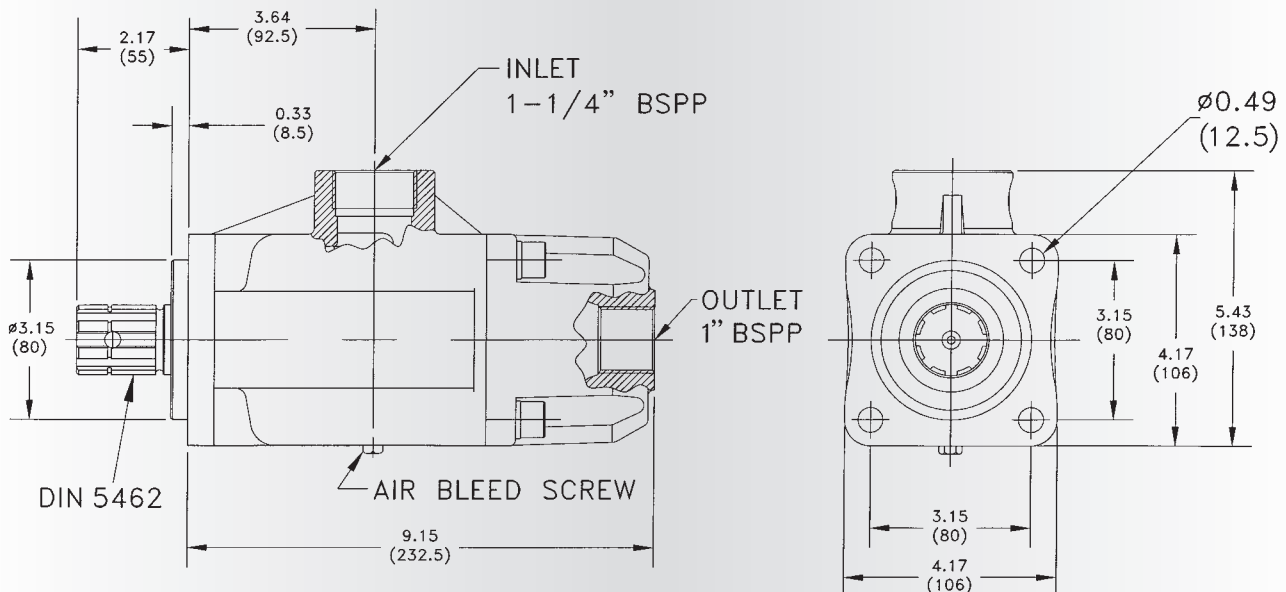
**Note:** 10 Micron return line filtration recommended. **Recommended Oil Viscosity:** Cold climate 22cST, Medium climate 37cST, Hot climate 46cST

## OPTIONAL FITTINGS

Optional low pressure & high pressure fittings provided for easy connection to typical North American hoses & thread types.

MODEL NO.	DESCRIPTION
R4BP45-32-20	2 INCH HOSE BARB, 45 DEGREE, TO 1-1/4 MALE BSPP, SWIVEL
R4BP90-32-20	2 INCH HOSE BARB, 90 DEGREE, TO 1-1/4 MALE BSPP, SWIVEL
HC-32-HD	HEAVY DUTY 2 INCH HOSE CLAMP
BP-MJ-20-20P	1-1/4 INCH MALE BSPP, TO -20 MALE JIC
BP-MJ90-20-20P	1-1/4 INCH MALE BSPP, 90 DEG., TO -20 MALE JIC
BP-MJ-16-12P	1 INCH MALE BSPP, TO -12 MALE JIC
BP-MJ-16-16P	1 INCH MALE BSPP, TO -16 MALE JIC
BP-MJ45-16-16P	1 INCH MALE BSPP, 45 DEG., TO -16 MALE JIC
BP-MJ90-16-16P	1 INCH MALE BSPP, 90 DEG., TO -16 MALE JIC

## MOUNTING DIMENSIONS



MP01-02 (Rev. 4-03) Printed in the U.S.A.  
© Muncie Power Products, Inc. 2004

**Muncie Power Products, Inc.** Member of the Interpump Hydraulics Group  
General Offices and Distribution Center • P.O. Box 548 • Muncie, IN 47308-0548  
(765) 284-7721 • FAX (765) 284-6991 • E-mail info@munciepower.com  
Web site <http://www.munciepower.com>

Drive Products, Inc., Toronto, Exclusive Agents for Canada

