

EX DRIVE

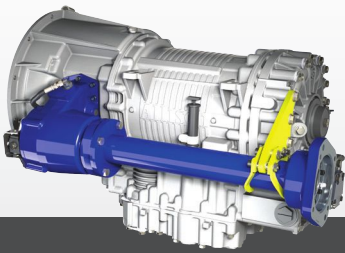
PTO SHAFT EXTENSION



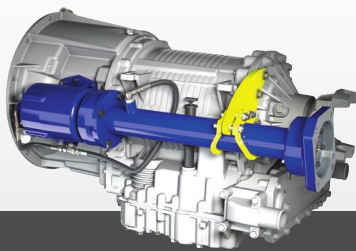


EX DRIVE SHAFT EXTENSION

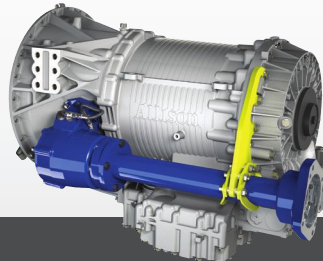
Muncie Power's EX Drive was designed to fit on Allison 3000 and 4000 Series transmissions with a retarder or cooler and allow for large gear or piston pumps to be direct mounted. This ability to be direct mounted eliminates the need for timely driveline installations. Providing maximum torque from the PTO, the shaft extension is available for the CD10, CS10/11, CS24/25 and CS40/41 families of PTOs. The EX Drive is also available in SAE B, BB and C outputs, as well as DIN 5462.



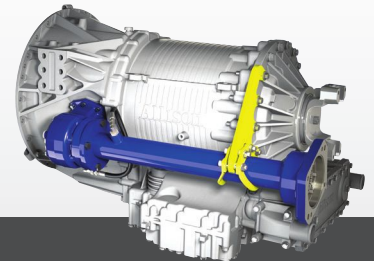
**ALLISON 3000
WITH RETARDER**



**ALLISON 3000
WITH COOLER**



**ALLISON 4000
WITH RETARDER**



**ALLISON 4000
WITH COOLER**

EX Drives for Allison 3000 Series transmissions, with built in retarder, extend past the retarder and accumulator fitting, allowing you to mount large piston and vane pumps without worrying about interference issues. EX Drives for this application are available for the left side or right side of the transmission, and can be paired with the CD10, CS10/11, CS24/25 and CS40/41 families of power take-offs.

Muncie Power's EX Drive for Allison 3000 Series transmission, with integral cooler, positions the PTO in the shaft high orientation. This moves the output to the end of the cooler, providing the maximum amount of clearance for direct mounting hydraulic pumps. EX Drive units are available to fit this application for the left or right side, combined with a Muncie Power CD10, CS24/25 or CS40/41 power take-off.

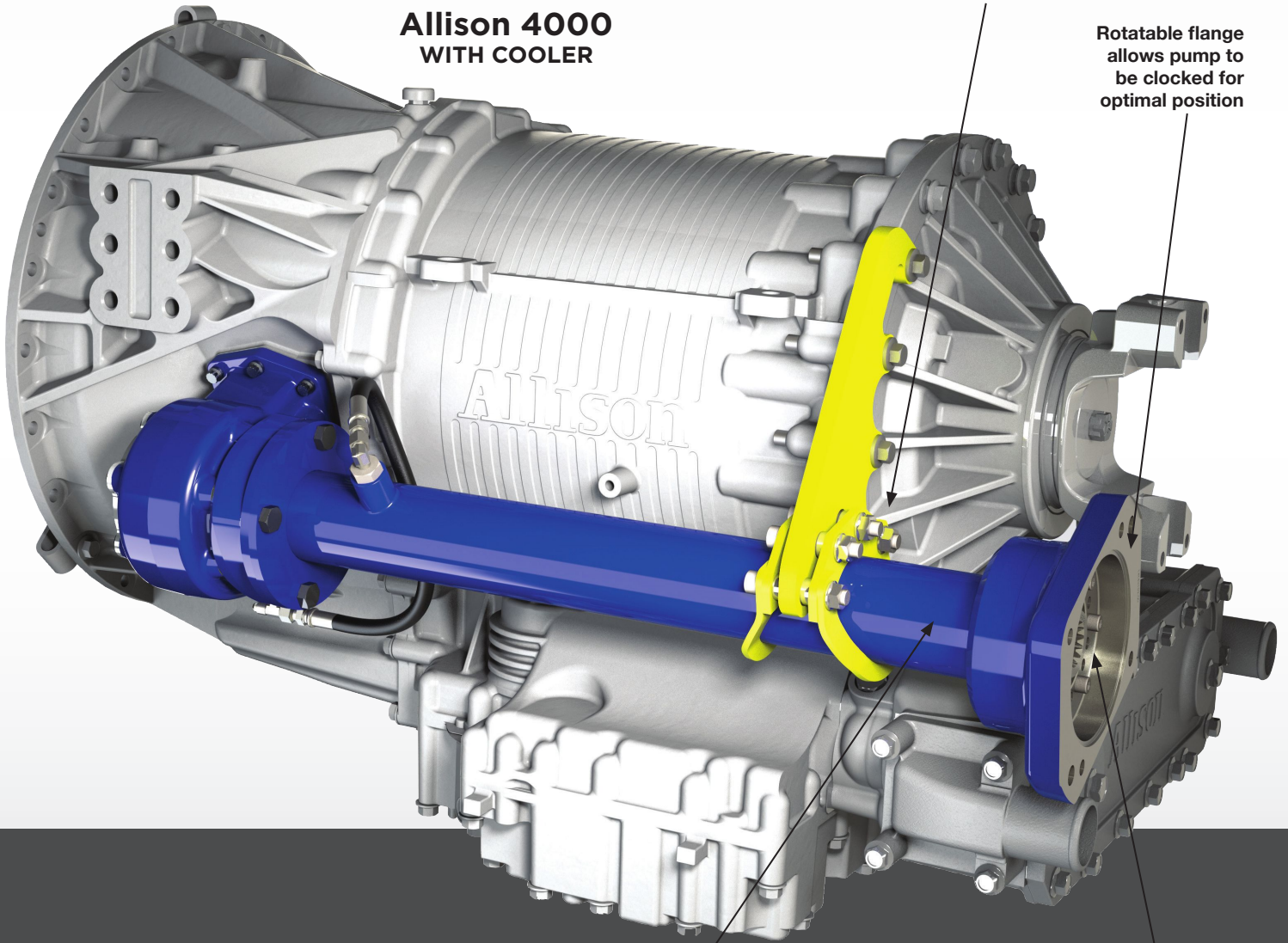
For heavy-duty applications utilizing an Allison 4000 series transmission, with retarder, Muncie Power's EX Drive positions the output flange for maximum clearance of direct mounted hydraulic equipment. EX Drives for this application are available for the left side of the transmission, and can be paired with the CD10, CS10/11, CS24/25 and CS40/41 families of power take-offs.

The EX Drive for the Allison 4000 Series transmission, with integral cooler, also positions the output flange for maximum clearance of direct mounted hydraulic equipment. EX Drive units are designed to fit on the left side of the transmission and can be combined with CD10, CS24/25, or CS40/41 Series of power take-offs.

**Allison 4000
WITH COOLER**

Welded tube housing and clamping bracket create extremely flexible design, which can be adapted to fit nearly any application

Rotatable flange allows pump to be clocked for optimal position



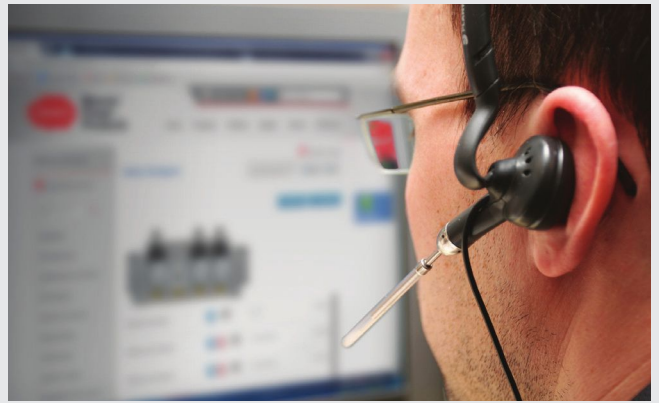
Minimized housing diameter allows for installation in even the tightest spaces

Wet spline design virtually eliminates fretting corrosion of pump and PTO shafts

WE BUILD TRUST.

At Muncie, we understand
that we're building much more
than hydraulic components.

We are building trust.



NEED HELP?

Please contact our customer service team for product related questions, or visit online for additional product information, literature, stocking locations and more.

800.367.7867 www.munciepower.com

POWER TAKE-OFFS - PUMPS - CYLINDERS - VALVES - RESERVOIRS - HOSES - FITTINGS - FILTERS



MUNCIE POWER PRODUCTS
A MEMBER OF THE INTERPUMP GROUP

201 EAST JACKSON STREET - POST OFFICE BOX 548 - MUNCIE, INDIANA 47308 USA - 800.367.7867 - WWW.MUNCIEPOWER.COM