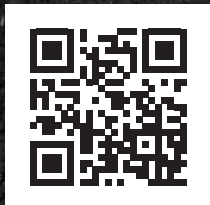


# DEMCO

## SIDE DUMP TRAILERS



**CORSOL**  
CORROSION SOLUTIONS



*Doing Our Best to Provide You the Best*  
[www.demco-products.com](http://www.demco-products.com) • 1.800.543.3626



# DEMCO SIDE DUMP

**Easier, faster unload...** stockpile, dump in tight spaces or wind-row the load. Demco Side Dumps unload from either side

**Superior handling...** because even large loads fit into a low-profile Demco Side Dump

## REDUCE DRIVER FATIGUE AND JOB SITE ACCIDENTS WHILE MAXIMIZING YOUR PAYLOAD

Demco Side Dump trailers give you superior handling and stability, which reduces driver fatigue and accidents such as roll-overs- even at maximum payload! With the lowest center of gravity in the industry - the bottom of the tub actually sits inside and below the top of the chassis frame rails!, Demco Side Dump Trailers are your #1 choice for safety and productivity.



### THE CORROSION SOLUTION

COROSOL® corrosion solutions are the result of PRP® Industries' METAL POLYMERIZATION® process. The result is a field-proven corrosion solution that prevents the devastating effects of undercutting and blistering on Demco's steel products.



**FIELD-PROVEN TESTING** Washington State Department of Transportation is particularly hard on its snow removal equipment. Exposure to months of harsh conditions and corrosive road salt while operating in mountainous regions is why we chose their equipment to field test COROSOL® corrosion solutions. The two salt spreader trucks shown below were brand new in 2008 and have since operated continuously out of the same facility.

\* Limited color selection

## FEATURES

### TUB

- 3 integrated tub pivot points with greaseless pivot bearings
- **Tub dump direction controlled from two places on the left side** - no need to walk all around the trailer to change dump direction
- Tub dump direction indicators visible in truck mirrors
- **Rubber EdgeFlex fenders with bolt-on mounts** - easily replace damaged fender parts
- **Large Single GRail on Tub** - lighter and stronger than two rail systems
- **1/4" FLX-500 Domex Rounded Vee Tub with original FlexCorner® design**
- Standard Colors: Black, White, & Gray (Custom colors available)
- Tub drains standard
- High capacity mounts standard on passenger side

### CHASSIS

- 20" deep twin "I" beam chassis with 3/8" fifth wheel plate
- Holland Atlas 55 Landing Gear w/ 2 speed gear box
- Holland CBX 23,000 lb, 5-3/4" OD axle
- Haldex 2S1M ABS system
- **Brakes:** Drum Brakes standard (Disc Brakes optional)
- **Suspensions:** SAF-Holland CBX23-245 Air Suspension w/Integrated Axles (Watson-Chalin lift and steer axles on Quint, Quad, and Trains)
- **Wheel & Tire Options:** 11R22.5 or 11R24.5 on Steel or Aluminum Rim, 385/65R22.5 Super Singles on Aluminum Rim (Other sizes available upon request)
- **Hydraulic System:** 3000 psi rated 3/4" Hoses, Fittings, Flow Divider, and Relief Valve. Trailer Mounted Electric Over Hydraulic Control Valve Available
- Twin 3000 psi rated 5" cylinders (Optional 6" cylinders available)
- Standard LED lights in enclosed boxes with sealed plugs
- Bolt-on Push/Lift block with Under Ride Bumper conform to Federal Motor Vehicle Safety Standards

## OPTIONS



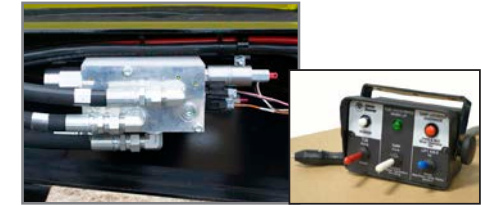
Lift Axle & Control Box



Air-Weigh Scale System



Dollies and Turntables Standard Model Variations Tongue lengths varying from 33" - 225"



EOH Valve and Control Box



Disc Brakes



High Capacity Kit  
34' Tub - 37 Cu. Yds., 37' Tub - 40 Cu. Yds.

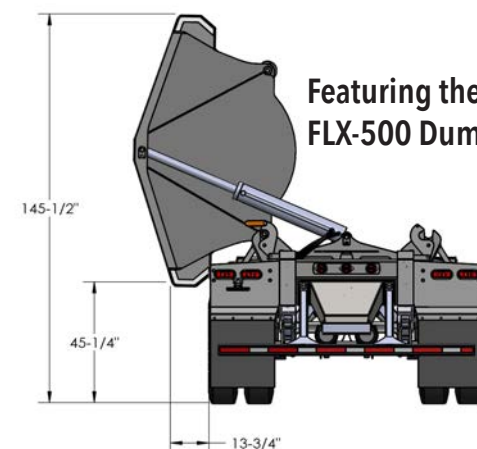
### TARPS



Aero Electric Tarps



Roll Rite Electric Tarps



Featuring the exclusive  
FLX-500 Dump Body

STANDARD FEATURES

OPTIONS



**NOSE BOX**



**GREASE ZERKS**

5th Wheel Plate and a safe and convenient way to grease the Hydraulic Cylinders



**REMOTE GREASE ZERKS**

Access grease zerks without having to leave the ground



**PIVOT MOUNTS**

3 pivot points per side keeps your side dump stable and easy-to-use. Adjustable pivot mounts make certain the bushings ride on the saddle and are held together with a retaining bolt and bolts on each end



**INSIDE OF TUB**

Open design for hauling and unloading

**TUB EXTENSION**

Optional tub extension for added load capacity



**TUB SUPPORTS**

3 outer tub supports to increase strength



**FLEXCORNER® DESIGN**

The Trademarked FlexCorner® design allows for flexibility to maintain the structural integrity of the tub and eliminates cracking



**TUB LATCH**

Tub dump direction controlled from two places on the left side - no need to walk all around the trailer to change dump direction



**DISC BRAKES**

**G RAIL**

G Rail design to support the tub wall with an added benefit of protecting your tarp when dumping

**HEAVY DUTY LOAD BEARING LANDING GEAR**



**MANIFEST HOLDER**



**MIDSHIP LIGHT**

**ALUMINUM RIMS**  
Steel rims are standard

**REAR STROBE LIGHTS**  
For safety and visibility



**HOSE HANGER**



**6" CYLINDER**



**5" CYLINDER**



**TUB DRAINS**



**LIFT AXLE CONTROL VALVE ASSEMBLY**



**FULL WIDTH MUDFLAPS**  
Available on front and rear



**EOH VALVE**



**BRAKE LINES**

Strategically located and color coded

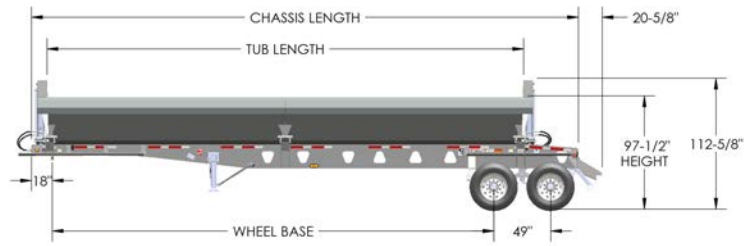


**ABS**

**PUSH BLOCK**  
Bolt-on Push/Lift block with Under Ride Bumper conform to Federal Motor Vehicle Safety Standards

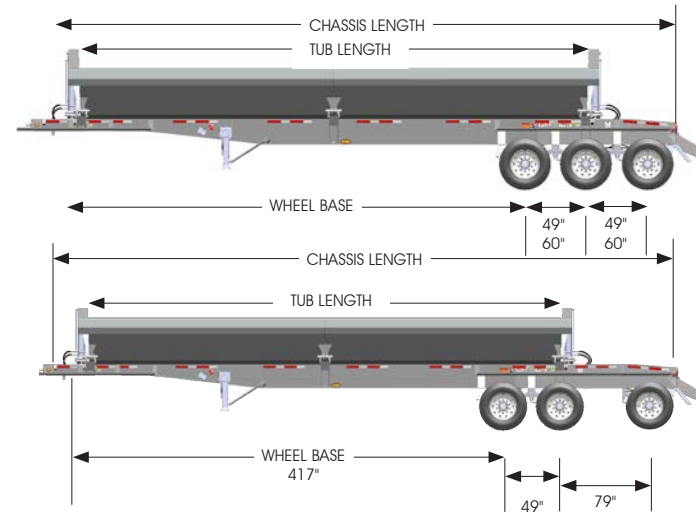
## TANDEM AXLE

Models: 35' (30' Tub), 40' (34' Tub)  
 Suspension: Air Ride  
 Axle Spacing: 49"  
 Tub Volume: 30' - 20.1 cu. yd.  
 34' - 22.7 cu. yd.



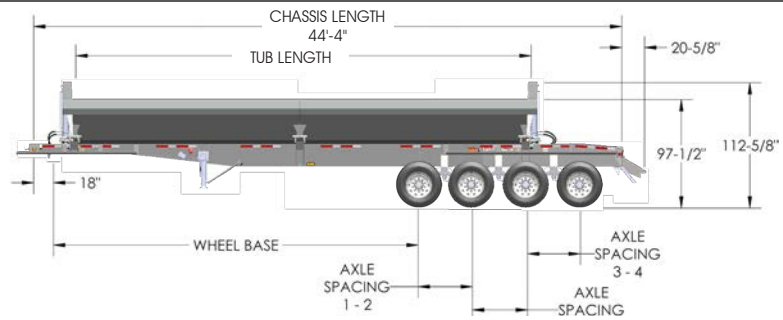
## TRI AXLE

Models: 35', 40', 42', 44', 46', 47'  
 Suspension: Air Ride  
 Axle Spacing: 49" or 60"  
 Tub Volume: 34' - 22.7 cu. yd.  
 37' - 24.5 cu. yd.



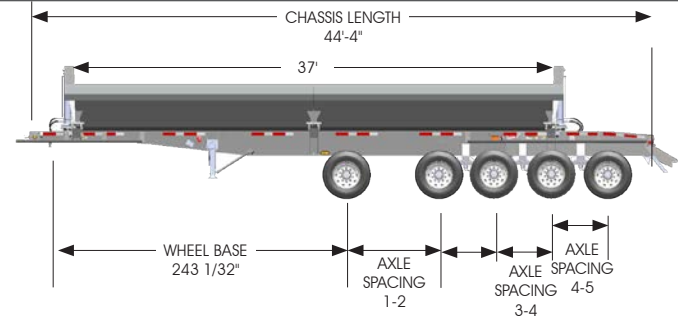
## QUAD AXLE

Models: 44', 47'  
 Suspension: Air Ride  
 Axle Spacing: 49" - closed or open  
 Tub Volume: 34' - 22.7 cu. yd.  
 37' - 24.5 cu. yd.



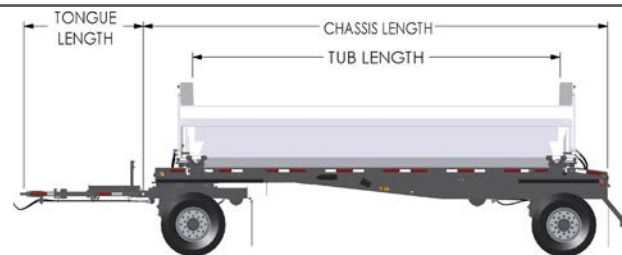
## QUINT AXLE

Models: 44' (37' Tub)  
 Suspension: Air Ride  
 Axle Spacing: 49"  
 Tub Volume: 24.5 cu. yd.



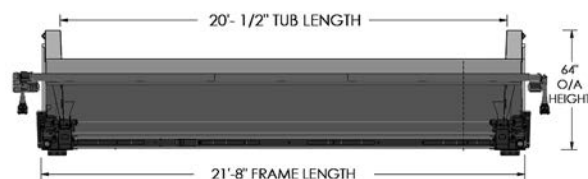
## PUP TRAILERS WITH TURNTABLES

Models: 26' (20' Tub), 30' (24' Tub)  
 Suspension: Air Ride  
 Tub Volume: 20' 13.5 cu. yd.  
 24' 16 cu. yd.



## TRUCK BOX SIDE DUMP

Models: 14', 15', 16', 17', 20'  
 Tub Volume: 14' 9.3 cu. yd.  
 15' 10 cu. yd.  
 16' 10.75 cu. yd.  
 17' 11.5 cu. yd.  
 20' 13.5 cu. yd.



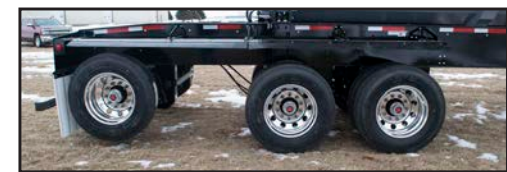
## TandemAxle

Model	Suspension	Chassis Length	Wheel Base	Axle Spacing	Tub Length	Tub Volume*	Optional 37' Tub
35' Tandem	Air Ride	35'-4"	324.5"	49"	30'-3"	20.1 cu. yd.	NA
40' Tandem	Air Ride	40'-5"	383"	49"	34'-3"	22.7 cu. yd.	NA



## TriAxle

Model	Suspension	Chassis Length	Wheel Base	Axle Spacing	Tub Length	Tub Volume*	Optional 37' Tub
35' Tri-Axle	Air Ride	35'-4"	324.5"	49"	30'-3"	20.1 cu. yd.	NA
40' Tri-Axle	Air Ride	40'-5"	383"	49"	34'-3"	22.7 cu. yd.	NA
42' Tri-Axle	Air Ride	42'-1"	404"	49"	34'-3"	22.7 cu. yd.	NA
44' Tri-Axle	Air Ride	44'-2"	428"	49"	34'-3"	22.7 cu. yd.	24.5 cu. yd.
44' Tri-Axle	Spread Air Ride	44'-2"	417"	60"	34'-3"	22.7 cu. yd.	24.5 cu. yd.
46' Tri-Axle	Air Ride Closed/ Open	45'-8"	377"	49" / 79"	34'-3"	22.7 cu. yd.	NA
47' Tri-Axle	Air Ride Closed/ Open	47'-2"	395"	49" / 79"	37'	NA	24.5 cu. yd.



## QuadAxle

Model	Suspension	Chassis Length	Wheel Base	Axles 1-2	Axles 2-3	Axles 3-4	Volume* 34' 3" Tub	Optional 37' Tub
44' Quad Rear Lift	Air Ride	44'-4"	330"	49"	49"	49"	22.7 cu. yd.	24.5 cu. yd.
44' Quad Rear Lift Lift/Steer	Air Ride	44'-4"	335"	49"	49"	60"	22.7 cu. yd.	24.5 cu. yd.
47' Quad FL/RLS	Air Ride	47'-2"	395"	49"	49"	60"	NA	24.5 cu. yd.



## QuintAxle

Model	Suspension	Chassis Length	Wheel Base	Axles 1-2	Axles 2-3	Axles 3-4	Axles 4-5	Volume* 34' 3" Tub	Optional 37' Tub
44' Quint	Air Ride	44'-4"	243 1/32"	97"	49"	49"	49"	NA	24.5 cu. yd.

\* Water level capacity

NOTE: Heights measured with 11R22.5 tires.





Pup Trailers with Turntables

- 26' with 20' Tub - 2 Axle Air Ride
- 30' with 24' Tub - 4 Axle Air Ride



Truck Box Side Dump



- One Year Warranty on Manufactured Parts
- Dumps to Left or Right Side
- Quick Side-to-Side dump change
- 20 Second dump (30 sec. cycle) at 33 GPM Flow
- Roll-Rite tarp option available

- May require EOH Valve
- Complete sub frame assembly-complete with wiring and lights
- Trademarked FlexCorner® Design

Model	Bolt on Sub-frame	Dump Body	Tub Capacity	Cylinder Diameter
14'	15' 8 ½"	14' FLX500	9.3 cu. yds.	5"
15'	16' 8 ½"	15' FLX500	10 cu. yds.	5"
16'	17' 8 ½"	16' FLX500	10.75 cu. yds.	5"
17'	18' 8 ½"	17' FLX500	11.5 cu. yds.	5"
20'	21' 8 ½"	20' FLX500	13.5 cu. yds.	5"



Doing Our Best to Provide You the Best

4010 320th Street • Boyden, Iowa 51234

1.800.543.3626

www.demco-products.com