

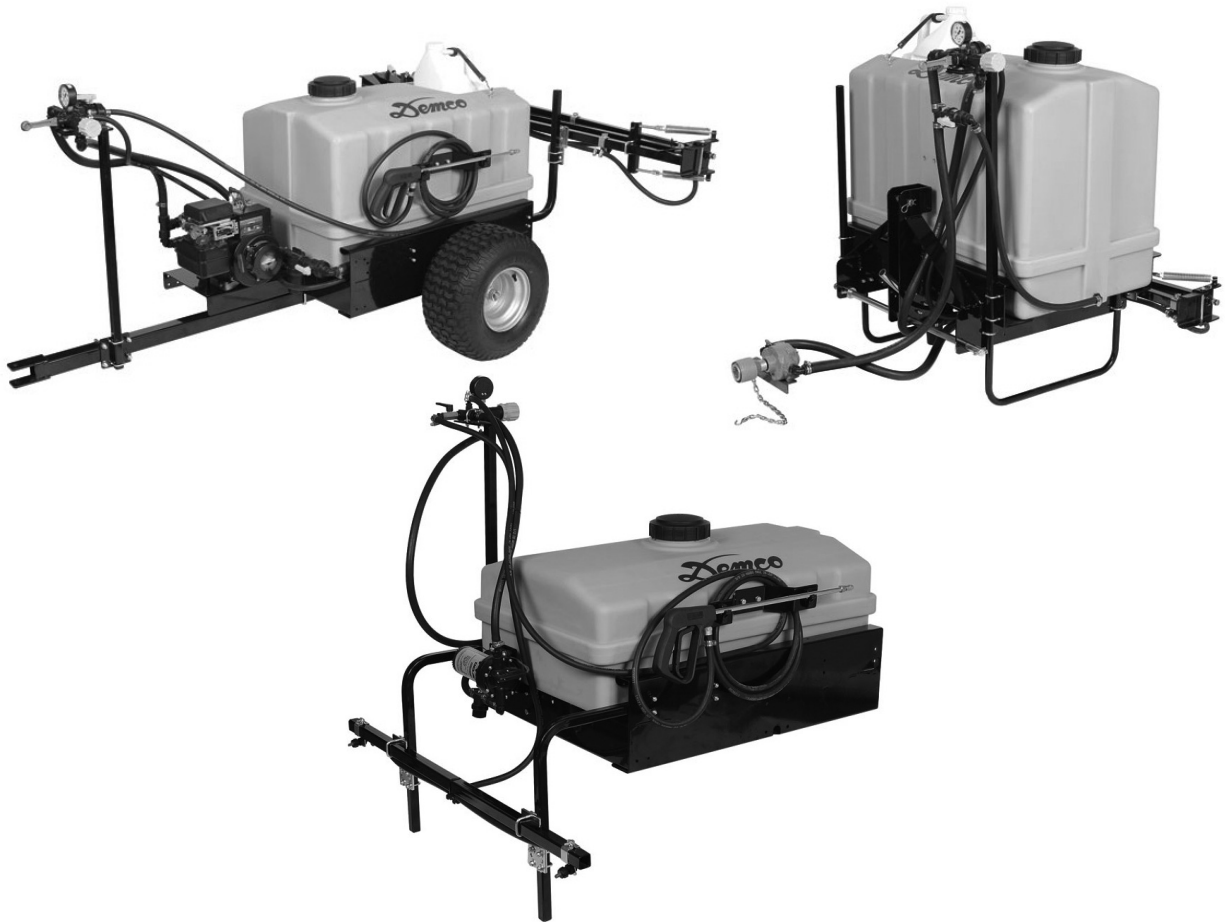


Doing Our Best to Provide You the Best

AS20026, Rev 15
11/21

PRO SERIES SPRAYERS

40, 60 & 80 Gallon



OPERATOR MANUAL

INTRODUCTION

Thank you for purchasing a Demco sprayer. We feel you have made a wise choice and hope you are completely satisfied with your new sprayer. If you have any questions regarding the applications of certain solutions or chemicals, contact your chemical supplier and follow chemical manufacturer recommendations as well as all licensing and use restrictions or regulations.

WARRANTY POLICY, OPERATOR MANUALS & REGISTRATION

Go online to www.demco-products.com to review Demco warranty policies, operator manuals and register your Demco product.



WARNING: TO AVOID PERSONAL INJURY OR DEATH, OBSERVE FOLLOWING INSTRUCTIONS:

To prevent serious injury or death

- Refer to chemical supplier and manufacturer recommendations and all licensing restrictions or regulations.
 - Always wear recommended protective clothing when working with chemicals or sprayer.
 - Dispose of all unused chemicals or solutions in proper and ecologically sound manner.
- Improper use can injure people, animals, plants and soil.**

GENERAL INFORMATION

1. Unless otherwise specified, high-strength (grade5) (3 radial-line head markings) hex head bolts are used throughout assembly of this sprayer.
2. Whenever terms "**LEFT**" and "**RIGHT**" are used in this manual it means from a position behind sprayer and facing forward.
3. When placing a parts order, refer to this manual for proper part numbers and place order by **PART NO., DESCRIPTION, and COLOR.**

TABLE OF CONTENTS

General information.....	2
Safety Information	3-9
Bolt Torque.....	10
Tank Assembly Breakdown w/Parts List.....	11
Skid Mount Electric for Control Console Parts and Plumbing Breakdown w/Parts List.....	12-14
Skid Mount Electric Assembly Parts and Plumbing Breakdown w/Parts List	15-16
Skid Mount Gas Assembly Parts and Plumbing Breakdown w/Parts List	17-19
Trailer Gas Centrifugal Breakdown w/Parts List.....	20
Trailer Electric Assembly Parts and Plumbing Breakdown w/Parts List	21-22
Trailer Gas Assembly Parts and Plumbing Breakdown w/Parts List.....	23-24
Rear Mount Electric Assembly Parts and Plumbing Breakdown w/Parts List.....	25-26
Rear Mount PTO Assembly Parts Breakdown	27
Rear Mount Single Sect PTO Assembly Parts and Plumbing Breakdown w/Parts List.....	28
Rear Mount 3 Section PTO Assembly Parts and Plumbing Breakdown w/Parts List.....	29
Start Up Instructions.....	30-31
5 GPM Electric Pump Parts Breakdown w/ Parts List.....	31
C6500D Roller Pump Parts Breakdown w/ Parts List.....	32
C4101 & XL4101 Roller Pump Parts Breakdown w/ Parts List.....	32
Truss-T Boom Assembly Parts Breakdown w/Parts List	33
12' &18' Boom Assembly Parts Breakdown w/ Parts List.....	34
Boom X-Tender Assembly Parts Breakdown w/Parts List.....	35
80" Boom Assembly Parts Breakdown w/Parts List	35
Boom X-Tender Specifications.....	36
Sprayer Calibration	37-38
Sprayer Checklist.....	39

TAKE NOTE! THIS SAFETY ALERT SYMBOL FOUND THROUGHOUT THIS MANUAL IS USED TO CALL YOUR ATTENTION TO INSTRUCTIONS INVOLVING YOUR PERSONAL SAFETY AND SAFETY OF OTHERS. FAILURE TO FOLLOW THESE INSTRUCTIONS CAN RESULT IN INJURY OR DEATH!



**THIS SYMBOL MEANS
ATTENTION
BECOME ALERT
YOUR SAFETY IS INVOLVED!**

SIGNAL WORDS:

This manual uses the following signal words--DANGER, WARNING, and CAUTION-- with safety messages. The appropriate signal word has been selected using the following guidelines.

WARNING:

Indicates a potentially hazardous situation that, if not avoided, could result in death or serious injury, and includes hazards that are exposed when guards are removed. It may also be used to alert against unsafe practices.

DANGER:

Indicates an imminently hazardous situation that, if not avoided, will result in death or serious injury. This signal word is to be limited to most extreme situations typically for machine components which, for functional purposes, cannot be guarded.

CAUTION:

Indicates a potentially hazardous situation that, if not avoided, may result in minor or moderate injury. It may also be used to alert against unsafe practices.

If you have questions not answered in this manual, require additional copies, or if your manual is damaged, please contact your dealer or Demco, 4010 320th Street, Boyden, IA 51234
ph: (712) 725-2311 or Toll Free: 1-800-543-3626 Fax: (712) 725-2380
<http://www.demco-products.com>



SAFETY...YOU CAN LIVE WITH IT



EQUIPMENT SAFETY GUIDELINES

Every year many accidents occur which could have been avoided by a few seconds of thought and a more careful approach to handling equipment. You, the operator, can avoid many accidents by observing the following precautions in this section. To avoid personal injury, study the following precautions and insist those working with you, or you yourself, follow them.

In order to provide a better view, certain illustrations in this manual may show an assembly with a safety shield removed. However, equipment should never be operated in this condition. Keep all shields in place. If shield removal becomes necessary for repairs, replace shield prior to use.

Replace any caution, warning, danger or instruction safety decal that is not readable or is missing. Location of such decals is indicated in this booklet.

Do not attempt to operate this sprayer under the influence of alcohol or drugs.

Review safety instructions with all users.

Operator should be a responsible adult. **DO NOT ALLOW PERSONS TO OPERATE OR ASSEMBLE THIS UNIT UNTIL THEY HAVE DEVELOPED A THOROUGH UNDERSTANDING OF SAFETY PRECAUTIONS AND HOW IT WORKS.**

To prevent injury or death, use a tractor equipped with a roll over protective system (ROPS). Do not paint over, remove, or deface any safety signs or warning decals on your sprayer. Observe all safety signs and practice instructions on them.

Never exceed limits of a piece of machinery. If its ability to do a job, or to do so safely is in question-**DON'T TRY IT.**



OPERATION SAFETY

CAUTION: Always be sure that water has reached the pump before starting your sprayer. If the pump is run dry, serious damage to the pump will result.

CAUTION: Care must be take, being sure the handgun is secured in the operators hand. If this is not done a recoiling action may occur causing damage or personal injury.

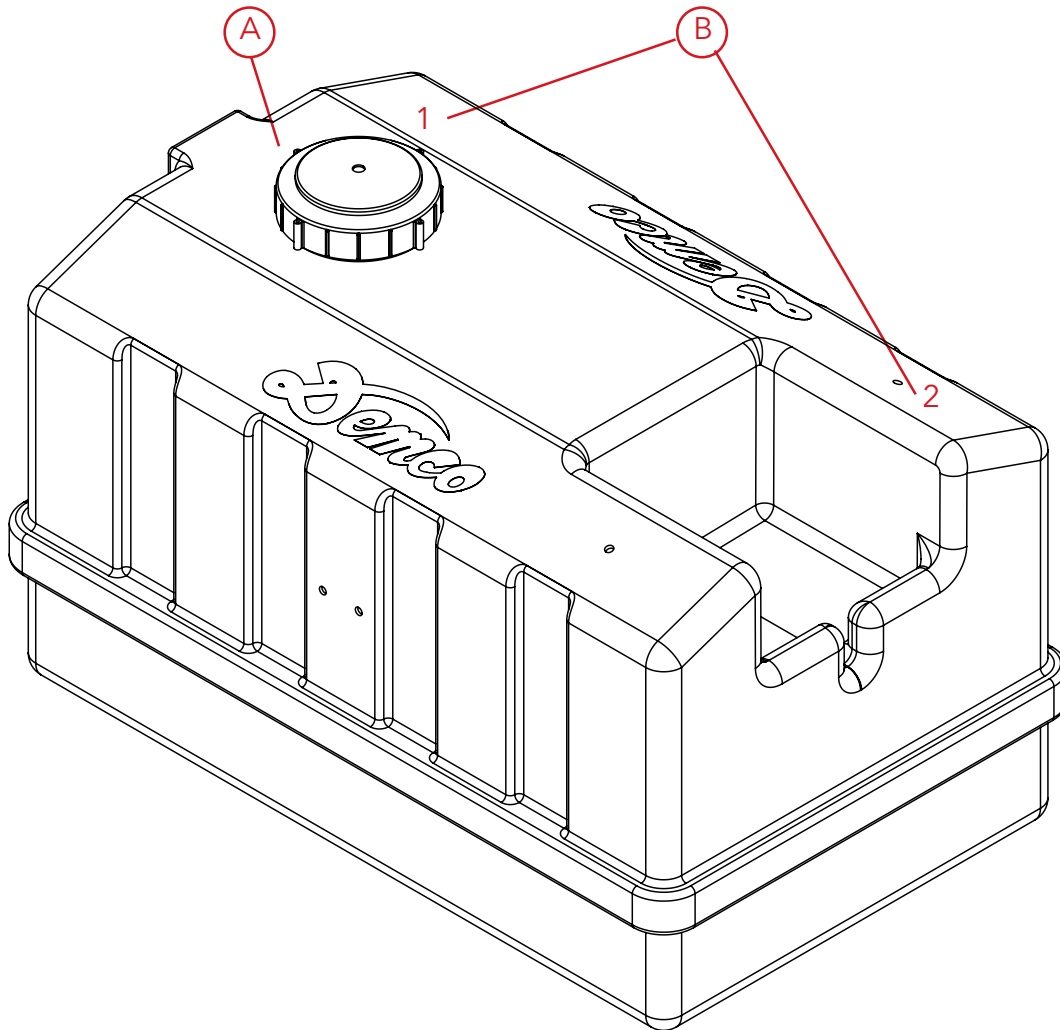


LIGHTING AND MARKING


It is the responsibility of customer to know lighting and marking requirements of local highway authorities and to install and maintain sprayer to provide compliance with regulations. Add extra lights when transporting at night or during periods of limited visibility.

 **SAFETY SIGN LOCATIONS**

Types of safety sign and locations on equipment are shown in illustration below. Good safety requires that you familiarize yourself with various safety signs, type of warning, and area or particular function related to that area, that requires your SAFETY AWARENESS.



A. AB21014 - Warning: Refer to chemical supplier and manufacturer Qty. 1

 <h1 style="margin: 0;">WARNING</h1>
<p>To prevent serious injury or death</p> <ul style="list-style-type: none"> • Refer to chemical supplier and manufacturer recommendations and all licensing restrictions or regulations. • Always wear recommended protective clothing when working with chemicals or sprayer. • Dispose of all unused chemicals or solutions in proper and ecologically sound manner. Improper use can injure people, animals, plants and soil.
REV 1 AB21014

B. AS21013 - Maximum Spraying Pressures

<p>MAXIMUM PUMP SPRAYING PRESSURES</p> <p>12 VOLT ELECTRIC: 50 PSI</p> <p>GAS ENGINE OR TRACTOR PTO: 150 PSI</p> <p>EXCEEDING THESE PRESSURES WILL CAUSE DAMAGE TO YOUR SPRAYER</p> <p>BOOM WILL APPLY 10 GPA @ 32 PSI AND 4 MPH</p> <p style="display: flex; justify-content: space-between;"> REV 0 AS21013 </p>

**NOTE: B2 ONLY ON SKID SPRAYERS
ALL OTHERS ARE IN B1 POSITION.**



SAFETY SIGN CARE

- Keep safety signs clean and legible at all times.
- Replace safety signs that are missing or have become illegible.
- Replacement parts that displayed a safety sign should also display current sign.
- Safety signs are available from your distributor, dealer parts department, or factory.

How to install safety signs:

- Be sure that installation area is clean and dry.
- Decide on exact position before you remove backing paper.
- Remove smallest portion of split backing paper.
- Align decal over specified area and carefully press small portion with exposed sticky backing in place.
- Slowly peel back remaining paper and carefully smooth decal into place.
- Air pockets can be pierced with a pin and smoothed out using piece of backing paper.



BEFORE OPERATION

- Carefully study and understand this manual.
- Do not wear loose-fitting clothing which may catch in moving parts.
- Always wear protective clothing and substantial shoes.
- It is recommended that suitable protective hearing and eye protection be worn.
- The operator may come in contact with certain materials which may require specific safety equipment relative to handling of such materials. (Examples: extremely dusty, molds, fungus, bulk fertilizers, etc.)
- Give sprayer a visual inspection for any loose bolts, worn parts, or cracked welds, and make necessary repairs. Follow maintenance safety instructions included in this manual.
- Be sure there are no tools lying on or in equipment.
- Do not use sprayer until you are sure that area is clear, especially around children and animals.
- Don't hurry learning process or take sprayer for granted. Ease into it and become familiar with your new equipment.
- Practice operation of your equipment and its attachments. Completely familiarize yourself and other operators with its operation before using.
- Use a tractor equipped with Roll Over Protection System (ROPS) and fasten your seat belt prior to starting engine.
- Manufacturer does not recommend usage of a tractor with ROPS removed.
- Move tractor wheels to widest recommended settings to increase stability.
- Do not allow anyone to stand between tongue or hitch and towing vehicle when backing up to sprayer.

**DURING OPERATION**

- Beware of bystanders, **PARTICULARLY CHILDREN!** Always look around to make sure that it is safe to start engine of towing vehicle or move sprayer. This is particularly important with higher noise levels and quiet cabs, as you may not hear people shouting.
- **NO PASSENGERS ALLOWED**- Do not carry passengers anywhere on or in the tractor or sprayer.
- Keep hands and clothing clear of moving parts.
- Do not clean, lubricate, or adjust your sprayer while it is moving.
- When halting operation, even periodically, set tractor or towing vehicles brakes, disengage PTO, shut off engine, and **remove ignition key**.
- Be especially observant of operating area and terrain- watch for holes, rocks, or other hidden hazards. Always inspect area prior to operation.
 - DO NOT operate near edge of drop-offs or banks.
 - DO NOT operate on steep slopes as overturn may result.
 - Operate up and down (not across) intermediate slopes. Avoid sudden starts and stops.
- Pick the most level possible route when transporting across fields. Avoid edges of ditches, gullies, and steep hillsides.
- Be extra careful when working on inclines.
- Periodically clear sprayer of brush, twigs, or other materials to prevent buildup of dry combustible materials.
- Maneuver tractor or towing vehicle at safe speeds.
- Avoid overhead wires. Contact with overhead lines could cause serious injury or death.
- Avoid loose gravel, rocks, and holes; they can be dangerous for sprayer operation or movement.
- Allow for unit length when making turns.
- Do not walk or work under raised components or attachments unless securely supported.
- Keep all bystanders, pets, and livestock clear of work area.
- Never stand alongside of unit with engine running or attempt to start engine and/or operate machine while standing alongside of unit.
- Never leave running equipment attachments unattended.
- As a precaution, always recheck hardware on equipment following every 100 hours of operation. Correct all problems. Follow maintenance safety procedures.



FOLLOWING OPERATION

- Following operation, or when unhitching, stop tractor or towing vehicle, set brakes, disengage PTO and all power drives, shut off engine and **remove ignition key**.
- Store unit in an area away from human activity.
- Do not park equipment where it will be exposed to livestock for long periods of time. Damage and livestock injury could result.
- Do not permit children to play on or around stored unit.
- Make sure all parked machines are on a hard, level surface and engage all safety devices.



HIGHWAY AND TRANSPORT OPERATIONS

- **SAFETY CHAINS:** If equipment is going to be transported on a public highway, Always follow state and local regulations regarding safety chains and auxiliary lighting. Be sure to check with local law enforcement agencies for your own particular regulations. If required safety chains should be obtained and installed. Only safety chains (not elastic or nylon/plastic tow straps) should be used to retain connection between towing and towed machines in event of separation of primary attaching system. Use a high strength, appropriately sized hitch pin with a mechanical retainer and attach safety chains. Criss cross chains under tongue and secure to draw bar cage, mounting loops, or bumper frame.
- Adopt safe driving practices:
 - Keep brake pedals latched together at all times. **NEVER USE INDEPENDENT BRAKING WITH MACHINE IN TOW, LOSS OF CONTROL AND/OR UPSET OF UNIT CAN RESULT.**
 - Always drive at a safe speed relative to local conditions and ensure that your speed is low enough for an emergency stop. Keep speed to a minimum.
 - Reduce speed prior to turns to avoid risk of overturning.
 - Always keep tractor or towing vehicle in gear to provide engine braking when going downhill. Do not coast.
 - Do not drink and drive!
- Comply with state and local laws governing highway safety and movement of farm machinery.
- Use approved accessory lighting flags and necessary warning devices to protect operators of other vehicles on highway during transport. Various safety lights and devices are available from your dealer.
- Use of flashing amber lights is acceptable in most localities. However, some localities prohibit their use. Local laws should be checked for all highway lighting and marking requirements.
- When driving a tractor and sprayer under 20 mph (40 kph) day or night, use flashing amber warning lights and a slow moving vehicle (SMV) identification emblem.
- Plan your route to avoid heavy traffic.
- Be a safe and courteous driver. Always yield to oncoming traffic in all situations, including narrow bridges, intersections, etc.
- Be observant of bridge loading ratings. Do not cross bridges rated lower than gross weight at which you are operating.
- Watch for obstructions overhead and side to side while transporting.
- Always operate equipment in a position to provide maximum visibility at all times. Make allowances for increased length and weight of sprayer when making turns, stopping, etc.

 **REMEMBER**

Your best assurance against accidents is a careful and responsible operator. If there is any portion of this manual or function you do not understand, contact your local authorized dealer or manufacturer.

 **PERFORMING MAINTENANCE**

- **Clean filter after first use and then after every 3-4 tanks.**
- Good maintenance is your responsibility. Poor maintenance is an invitation to trouble.
- Make sure there is plenty of ventilation. Never operate engine of towing vehicle in a closed building. Exhaust fumes may cause asphyxiation.
- Before working on this machine, stop towing vehicle, set brakes, disengage PTO and all power drives, shut off engine and **remove ignition key**.
- Be certain all moving parts and attachments have come to a complete stop before attempting to perform maintenance.
- Always use a safety support and block wheels. Never use a jack to support machine.
- Always use proper tools or equipment for job at hand.
- Use extreme caution when making adjustments.
- Follow torque chart on page 12 in this manual when tightening bolts and nuts.
- Never use your hands to locate a hydraulic leak on attachments. Use a small piece of cardboard or wood. Hydraulic fluid escaping under pressure can penetrate skin.
- Openings in skin and minor cuts are susceptible to infection from hydraulic fluid.
Without immediate medical treatment, serious infection and reactions can occur.
- When disconnecting hydraulic lines, shut off hydraulic supply and relieve all hydraulic pressure.
- Replace **all shields** and **guards** after servicing and before moving.
- After servicing, be sure all tools, parts and service equipment are removed.
- Do not allow grease or oil to build up on any step or platform.
- When replacing bolts refer to owners manual.
- Refer to bolt torque chart on page 12 for head identification marking.
- Where replacement parts are necessary for periodic maintenance and servicing, genuine factory replacement parts must be used to restore your equipment to original specifications. Manufacturer will not claim responsibility for use of unapproved parts or accessories and other damages as a result of their use.
- If equipment has been altered in any way from original design, manufacturer does not accept any liability for injury or warranty.
- A fire extinguisher and first aid kit should be kept readily accessible while performing maintenance on this sprayer.

BOLT TORQUE SPECIFICATIONS



TORQUE SPECIFICATION

Torque figures indicated are valid for non-greased or non-oiled threads and heads unless otherwise specified. Therefore, do not grease or oil bolts or capscrews unless otherwise specified in this manual. When using locking elements, increase torque values by 5%.

* GRADE or CLASS value for bolts and capscrews are identified by their head markings.

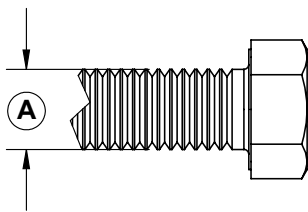
BOLT TORQUE DATA FOR STANDARD NUTS, BOLTS, AND CAPSCREWS

Tighten all bolts to torques specified in chart unless otherwise noted. Check tightness of bolts periodically, using bolt chart as guide. Replace hardware with same grade bolt.

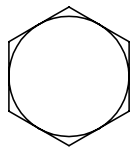
NOTE: Unless otherwise specified, high-strength Grade 5 hex bolts are used throughout assembly of equipment.

Bolt Torque for Standard bolts *						
"A"	GRADE 2		GRADE 5		GRADE 8	
	lb-ft	(N.m)	lb-ft	(N.m)	lb-ft	(N.m)
1/4"	6	(8)	9	(12)	12	(16)
5/16"	10	(13)	18	(25)	25	(35)
3/8"	20	(27)	30	(40)	45	(60)
7/16"	30	(40)	50	(70)	80	(110)
1/2"	45	(60)	75	(100)	115	(155)
9/16"	70	(95)	115	(155)	165	(220)
5/8"	95	(130)	150	(200)	225	(300)
3/4"	165	(225)	290	(390)	400	(540)
7/8"	170	(230)	420	(570)	650	(880)
1"	225	(300)	630	(850)	970	(1310)

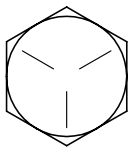
Bolt Torque for Metric bolts *						
"A"	CLASS 8.8		CLASS 9.8		CLASS 10.9	
	lb-ft	(N.m)	lb-ft	(N.m)	lb-ft	(N.m)
6	9	(13)	10	(14)	13	(17)
7	15	(21)	18	(24)	21	(29)
8	23	(31)	25	(34)	31	(42)
10	45	(61)	50	(68)	61	(83)
12	78	(106)	88	(118)	106	(144)
14	125	(169)	140	(189)	170	(230)
16	194	(263)	216	(293)	263	(357)
18	268	(363)	--	--	364	(493)
20	378	(513)	--	--	515	(689)
22	516	(699)	--	--	702	(952)
24	654	(886)	--	--	890	(1206)



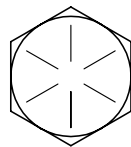
GRADE-2



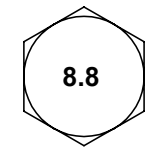
GRADE-5



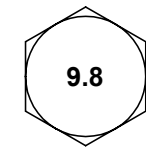
GRADE-8



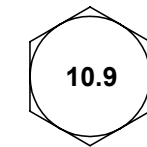
CLASS 8.8

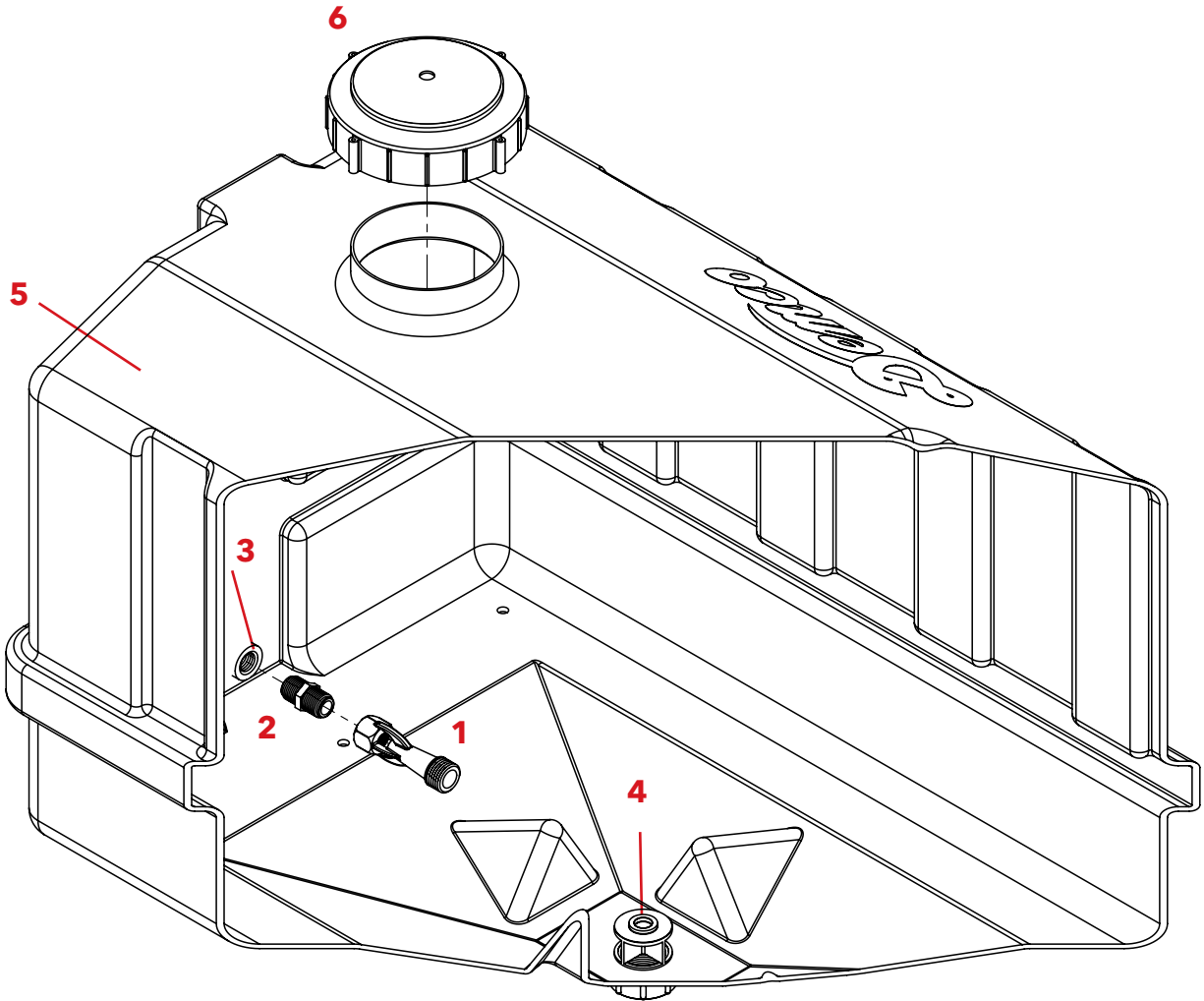


CLASS 9.8



CLASS 10.9



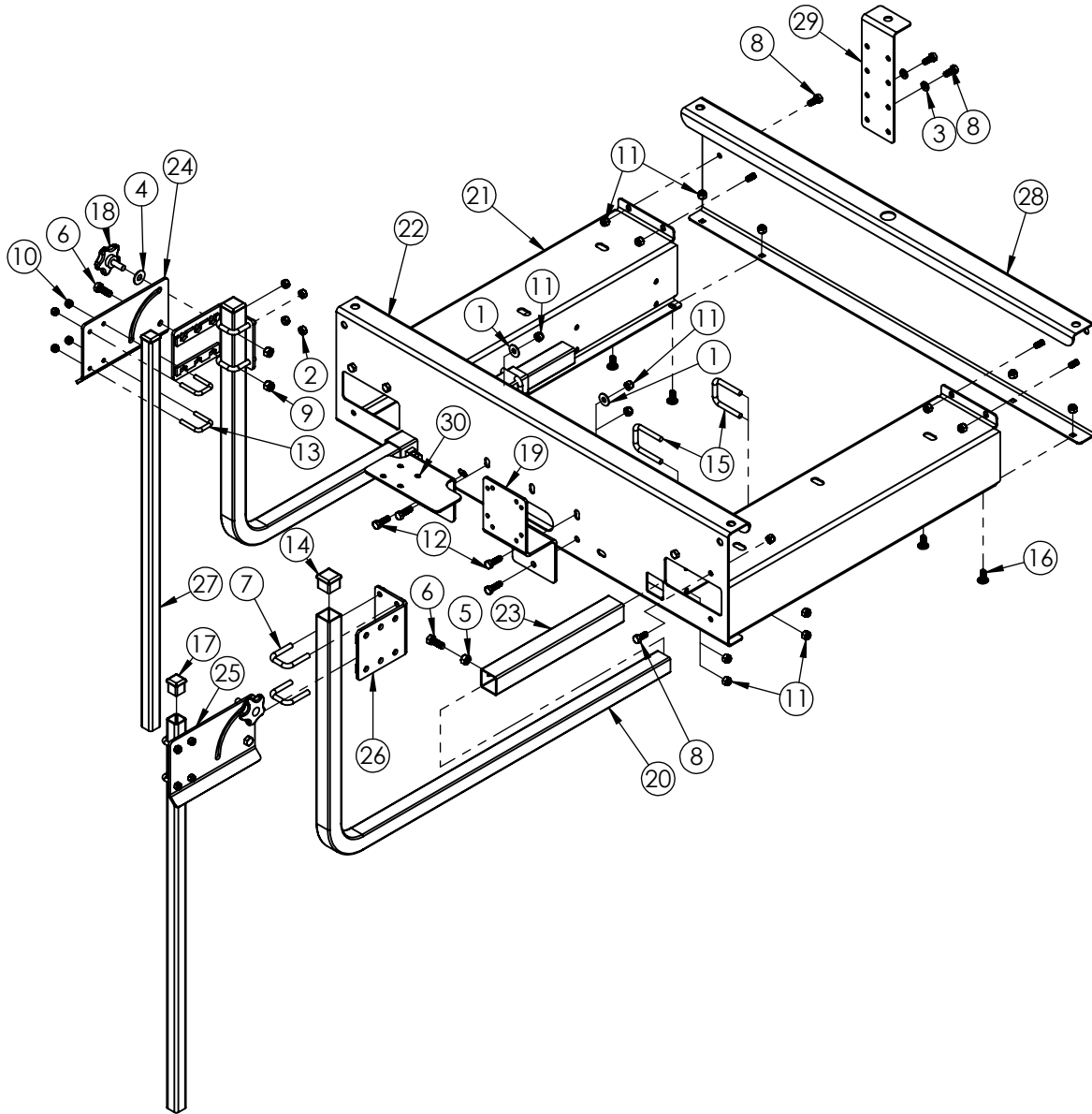


TANK PARTS LIST

REF	PART #	DESCRIPTION	QTY.
1	5044 1	SINGLE AGITATION WAND ASSEMBLY	1
2	M1200	1/2" MPT SHOR NIPPLE	8
3	P012DSW	1/2" DOUBLE THREAD SPIN WELD FITTING	1
4	P114PAVSW	1-1/4" ANTI-VORTEX SPIN WELD FITTING	1
5	35637	40 GALLON TANK (INCLUDES LID)	1
-	35638	60 GALLON TANK (INCLUDES LID)	1
-	35639	80 GALLON TANK (INCLUDES LID)	1
6	PL5A	5" LID	1
Please order replacement parts by PART NO. and DESCRIPTION			

FRAME PARTS BREAKDOWN

SKID MOUNT ELECTRIC FOR CONTROL CONSOLE

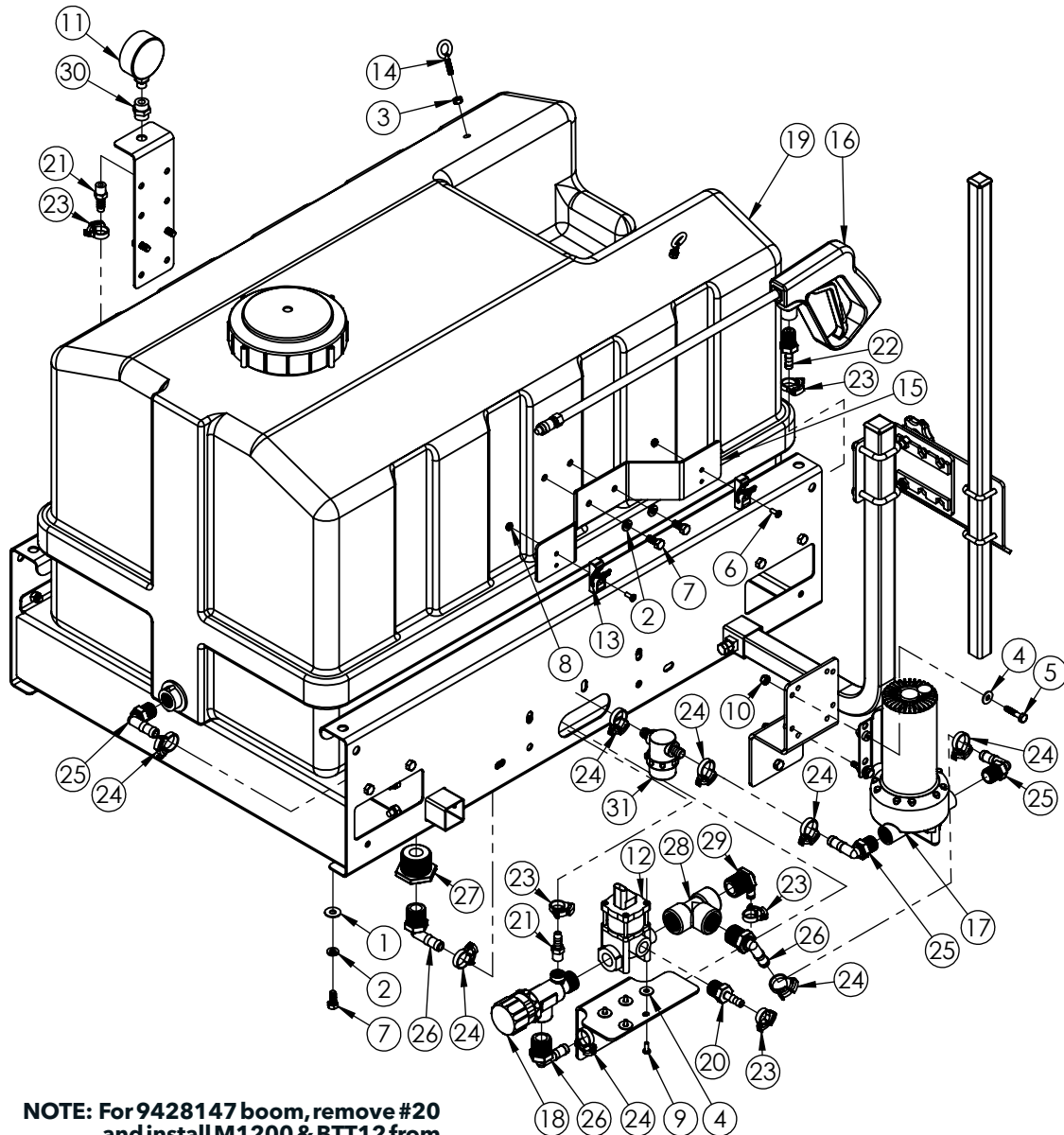


REF	PART #	DESCRIPTION	QTY.
1	00004	WASHER, FLAT, .313	2
2	00007	NUT, .313NC HEX	8
3	00036	LW 0.3125	2
4	00059	WASHER, FLAT .375	2
5	00061	NUT, .375 HEX	4
6	00907	BOLT, .375NC X 1.00 HEX HEAD GR.5	4
7	00909	U-BOLT, SQ. .313NC X 1.00	4
8	01263	BOLT, .313NC X .75 GR.5	10
9	02592	NUT, .375NC NYLON LOCK	2
10	02772	NUT, .25NC LOCK NYLON INSERT	8
11	02802	NUT, .313NC NYLON LOCK	28
12	02990	BOLT, .313NC X 1.00 HEX HEAD GR.5	4
13	04822	U-BOLT. 1.00 SQ	4
14	05188	CAPPLUG SQUARE 1.25 X 14GA BLACK	2
15	05678	U-BOLT, SQ. .313NC X 1.531 X 2.25	4

REF	PART #	DESCRIPTION	QTY.
16	06149	BOLT, .313 X .75 CARRIAGE	8
17	07875	CAPPLUG SQUARE 1 X 14GA BLACK	2
18	09944	KNOB 5 PRONG .375NC X 1 THREADED STUD	2
19	12408	ELECTRIC PUMP MOUNT	1
20	14146	BOOM MOUNT BOBCAT	2
21	15869	SKID SIDE CHANNEL	2
22	15870	SKID BOLT FRONT PANEL	1
23	15883	SKID BOLT BOOM RECEIVER	2
24	16279	BRACKET BOOM SWIVEL MOUNT, LEFT	1
25	16281	BRACKET BOOM SWIVEL MOUNT, RIGHT	1
26	16288	BRACKET BOOM SWIVEL MOUNT	2
27	16289	BOOM MOUNT TUBE	2
28	16801	SKID BACK PANEL	1
29	16802	REMOTE GAUGE MOUNT	1
30	16803	SOLENOID MOUNT F/ SKID	1

Please order replacement parts by PART NO. and DESCRIPTION

SKID MOUNT ELECTRIC PLUMBING WITH CONTROL CONSOLE



NOTE: For 9428147 boom, remove #20 and install M1200 & BTT12 from page #35..

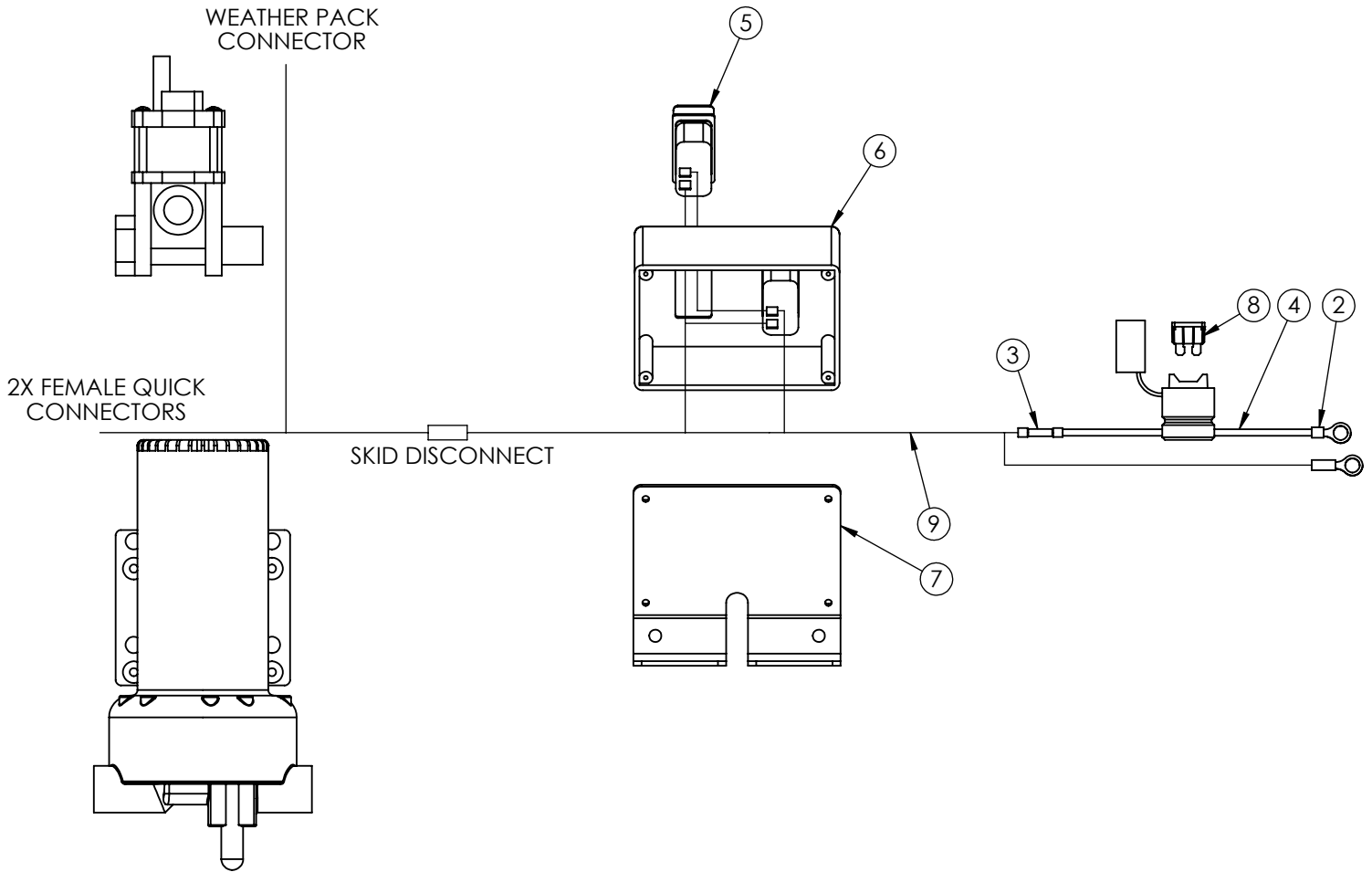
REF	PART #	DESCRIPTION	QTY.
1	00004	WASHER, FLAT, .313	6
2	00036	LW 0.3125	8
3	00062	NUT, .25NC HEX	2
4	00214	WASHER, .25 FLAT	8
5	00336	BOLT, .25NC X 1.25 HEX GR.5	4
6	00568	SCREW .50	2
7	01263	BOLT, .313 NC X .75 GR.5	8
8	02205	NUT, #10NC NYLON INSERT	2
9	02214	SCREW, #10NC X .50 SLOTTED TRUSS HEAD	4
10	02772	NUT, .25NC LOCK NYLON INSERT	4
11	100GB	100# GAUGE, BRASS	1
12	11635	ELECTRIC SOLENOID VALVE	1
13	11736	HANDGUN CUP	2
14	12426	.25-20NC EYE BOLT	2
15	12427	HOSE HOLDER	1

REF	PART #	DESCRIPTION	QTY.
16	12434	SPRAY GUN, 18" SYNTHETIC HAND	1
17	12981	PUMP, ELECTRIC, 12VDC, 5GPM, DELAVAN W/ 1/2FPT	1
18	23340PP	VALVE, PRESSURE RELIEF 3/4"	1
19	35638	60 GAL TANK PREASSEMBLY	1
20	A1238	FTG, STR .50 MPT X .375 HB	1
21	A1438	FTG, STR .25" MPT X .375 HB POLY	2
22	A3838	FTG,.375 MPT X .375 HB	1
23	B6PH	CLAMP, NYLON FOR .375 HOSE	5
24	B8PH	CLAMP, NYLON FOR .5 HOSE	8
25	BEL1212	FTG, ELB .5" MPT X .5" HB, GFP	3
26	BEL3412	FTG, ELB .075" MPT X .50" HB, GFP	3
27	BRB114 34	FTG, REDUCER BSHG 1.25" MPT X .75" FPT, GFP	1
28	BTT34	FT, TEE .75" FPT, GFP	1
29	EL3438	3/4" MPT X 3/8" HB ELB FTG	1
30	FC1400	COUPLING .25" FPT POLY	1
31	RVB12 80	STRAINER, .50" X 80 MESH	1

Please order replacement parts by PART NO. and DESCRIPTION

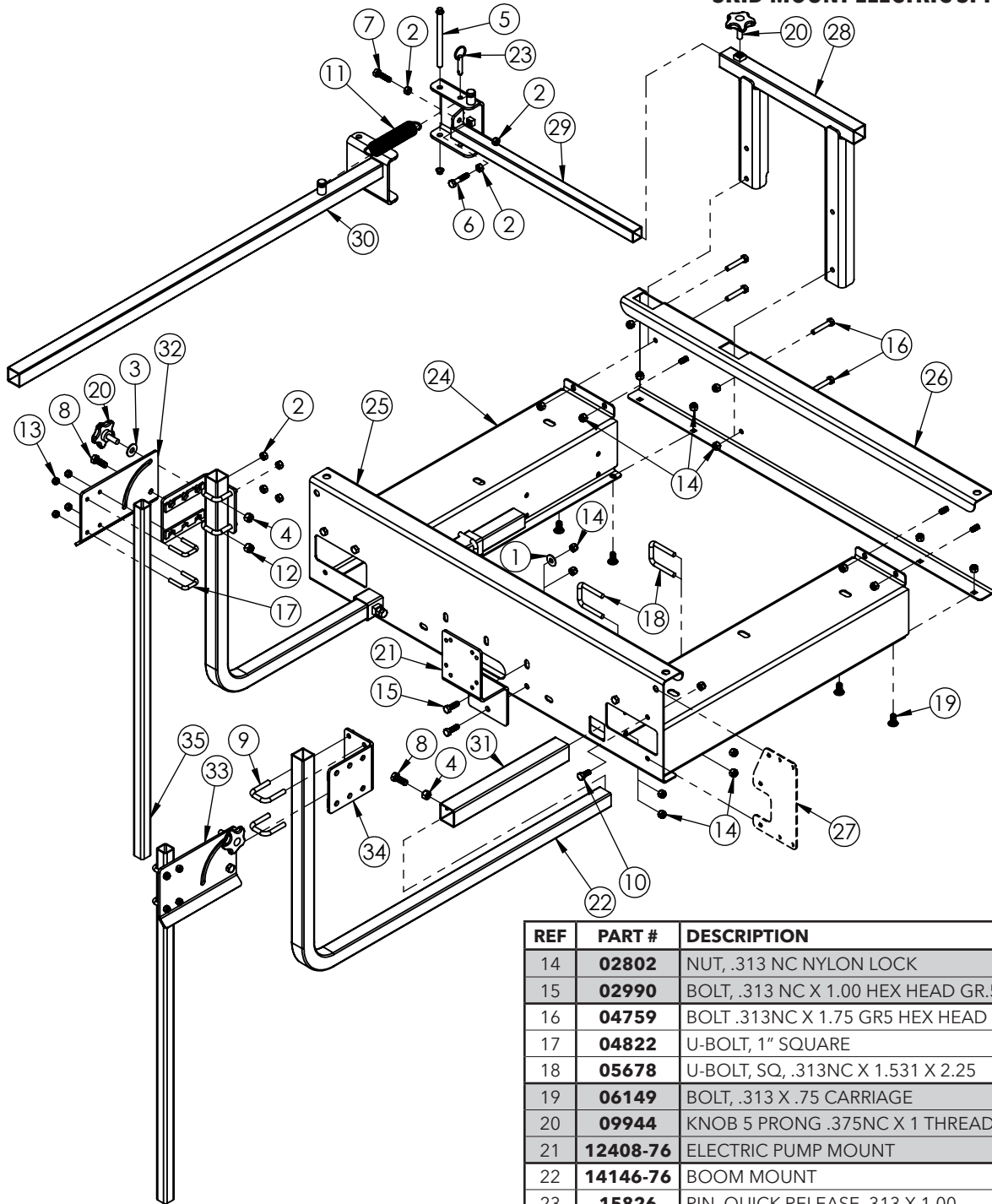
CONTROL CONSOLE PARTS BREAKDOWN

#6351



REF	PART #	DESCRIPTION	QTY.
1	10865	TERMINAL RING 16-14 GA NYLON INSULATED .313 STUD	1
2	11506	TERMINAL RING 12-10 GA NON-INSULATED	1
3	13062	12-10 GA CONNECTOR BUTT	1
4	16021	FUSE HOLDER	1
5	16798	SWITCH ROCKER 20A NON-ILLUM	2
6	16804	SKID SPRAYER CONTROL BOX	1
7	16810	MOUNTING PLATE F/ CONTROL BOX	1
8	16813	ATO 15 AMP FUSE	1
9	16820	HARNESS WIRE F/ LG CONTROL BOX	1
Please order replacement parts by PART NO. and DESCRIPTION			

FRAME PARTS BREAKDOWN SKID MOUNT ELECTRIC SPRAYER FRAME



REF	PART #	DESCRIPTION	QTY.
1	0004	WASHER, FLAT, .313	1
2	0007	NUT, .313NC HEX	11
3	0059	WASHER, FLAT .375	2
4	0061	NUT .375 HEX	4
5	00340	PIN, WING EXTENSION HINGE	1
6	00372	BOLT .313NC X 1.50 GR5 HEX HEAD	1
7	00685	BOLT, .313 NC X 1.25 HEX HEAD GR.5	1
8	00907	BOLT, .375NC X 1.00 HEX HEAD GR.5	4
9	00909	U-BOLT, SQ, .313NC X 1	4
10	01263	BOLT, .313 NC X .75 GR. 5	7
11	01564	SPRING, EXTENSION	1
12	02592	NUT, .375NC NYLON LOCK	2
13	02772	NUT, .25NC LOCK NYLON INSERT	8

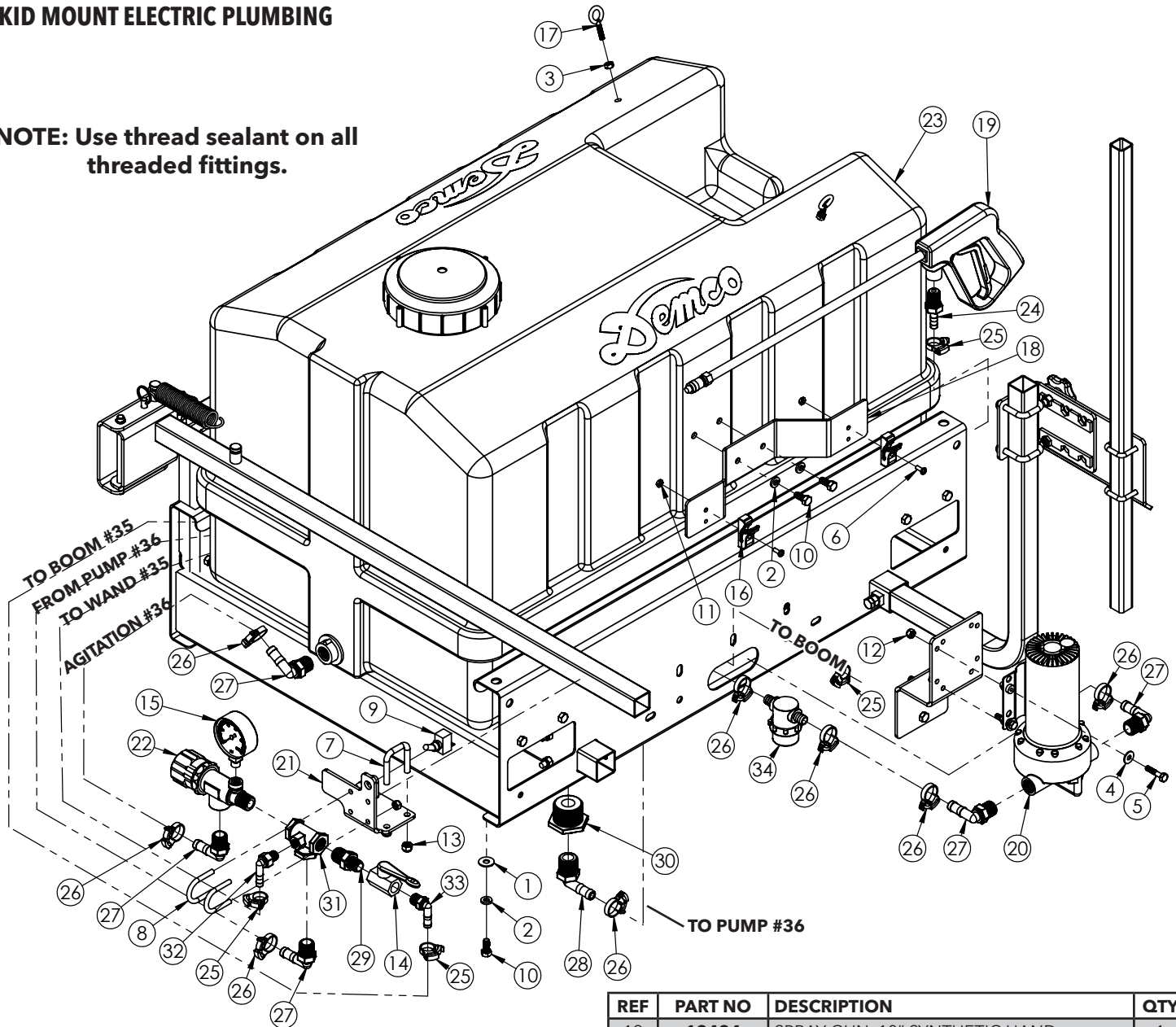
REF	PART #	DESCRIPTION	QTY.
14	02802	NUT, .313 NC NYLON LOCK	29
15	02990	BOLT, .313 NC X 1.00 HEX HEAD GR.5	2
16	04759	BOLT .313NC X 1.75 GR5 HEX HEAD	4
17	04822	U-BOLT, 1" SQUARE	4
18	05678	U-BOLT, SQ, .313NC X 1.531 X 2.25	4
19	06149	BOLT, .313 X .75 CARRIAGE	8
20	09944	KNOB 5 PRONG .375NC X 1 THREADED STUD	3
21	12408-76	ELECTRIC PUMP MOUNT	1
22	14146-76	BOOM MOUNT	2
23	15826	PIN, QUICK RELEASE .313 X 1.00	1
24	15869-76	SKID SIDE CHANNEL	2
25	15870-76	SKID BOLT FRONT PANEL	1
26	15871-76	SKID BOLT BACK PANEL	1
27	15874-76	HOSE REEL MOUNT (NOT INCLUDED)	1
28	15880-76	FORWARD CONTROL ARM MOUNT	1
29	15881-76	FORWARD CONTROL EXTENSION ARM	1
30	15882-76	FORWARD CONTROL ARM	1
31	15883-76	SKID BOLT BOOM RECEIVER	2
32	16279-76	BRACKET BOOM SWIVEL MOUNT, LT	1
33	16281-76	BRACKET BOOM SWIVEL MOUNT, RT	1
34	16288-76	BRACKET BOOM SWIVEL MOUNT	2
35	16289-76	BOOM MOUNT TUBE	2

Please order replacement parts by PART NO. and DESCRIPTION

PLUMBING PARTS BREAKDOWN

SKID MOUNT ELECTRIC PLUMBING

NOTE: Use thread sealant on all threaded fittings.



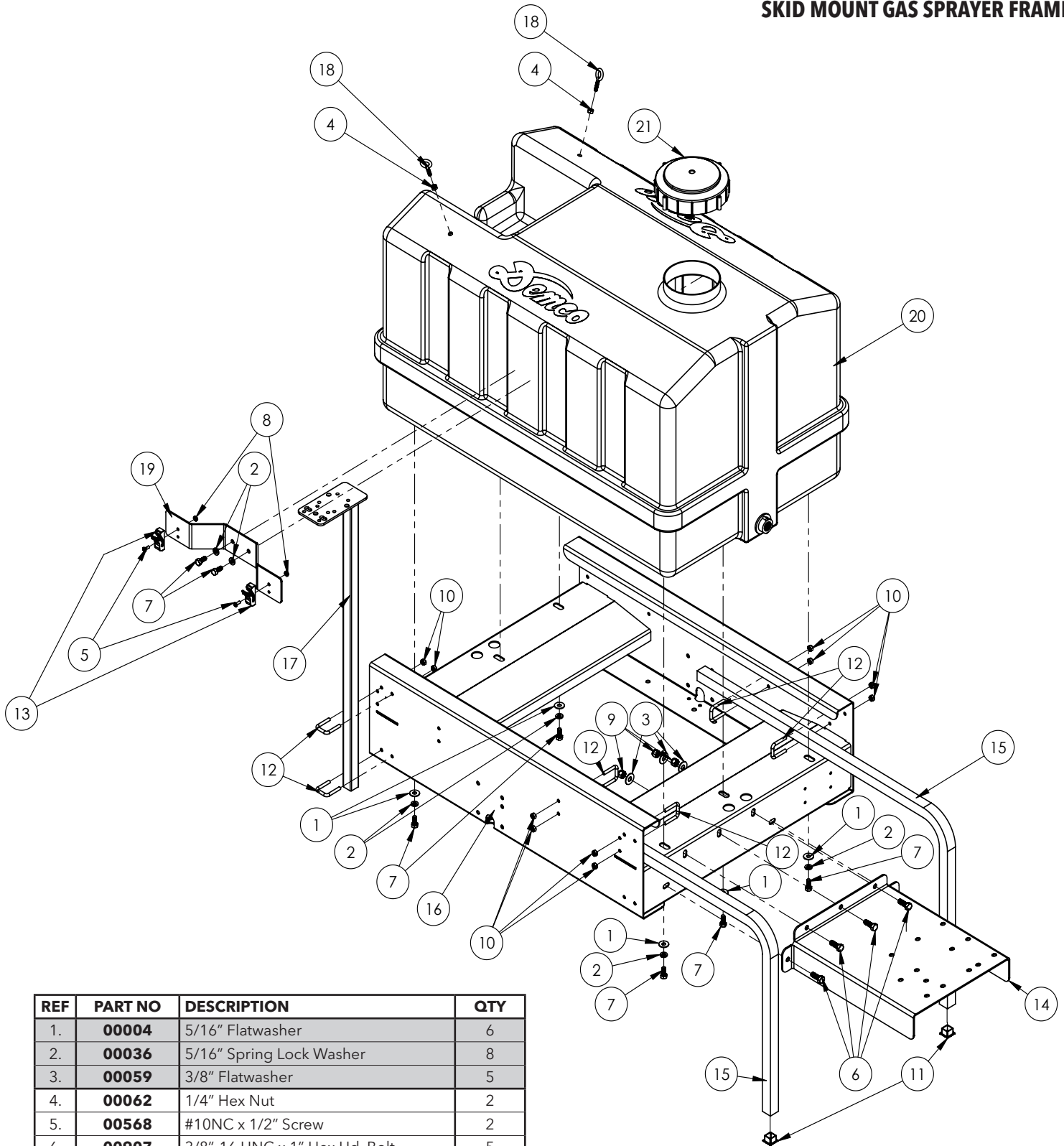
REF	PART NO	DESCRIPTION	QTY
1	00004	WASHER, FLAT, .313	6
2	00036	LOCKWASHER .313	8
3	00062	NUT .25NC HEX (F/ 60/80 GAL)	2
4	00214	WASHER, FLAT, .25	4
5	00336	BOLT .25NC X 1.25 GR5 HEX	4
6	00568	SCREW .50	2
7	00909	U-BOLT SQ .313NC X 1-1/4"	2
8	00955	U-BOLT, RND, .250NC X 1.00 X 2.00	2
9	01013	SWITCH ELECTRIC TOGGLE	1
10	01263	BOLT, .313 NC X .75 GR. 5	8
11	02205	NUT, #10NC NYLON INSERT	2
12	02772	NUT, .25NC LOCK NYLON INSERT	8
13	02802	NUT, .313 NC NYLON LOCK	4
14	03900	VALVE, BRASS, .375" FPT (2X), 2 WAY	1
15	100GB	100# GAUGE, BRASS	1
16	11736	HANDGUN CLIP	2
17	12426	.25-20NC EYE BOLT (F/ 60/80 GAL)	2
18	12427-76	HOSE HOLDER	1

REF	PART NO	DESCRIPTION	QTY
19	12434	SPRAY GUN, 18" SYNTHETIC HAND	1
20	12981	PUMP, 12VDC, 5GPM, DELAVAN, W/ 1/2FPT	1
21	15878-76	VALVE MOUNT FOR FWD CONTROLS	1
22	23120PP	VALVE, PRESSURE RELIEF, 1/2"	1
23	35637	40 GAL TANK (INCLUDES LID)	-
-	35638	60 GAL TANK (INCLUDES LID) (SHOWN)	1
-	35639	80 GAL TANK (INCLUDES LID)	-
24	A3838	FTG, STR, .375" MPT X .375" HB	1
25	B6PH	CLAMP, NYLON FOR .375 HOSE	3
26	B8PH	CLAMP, NYLON FOR .5 HOSE	8
27	BEL1212	FTG, ELB, .5" MPT X .5" HB, GFP	5
28	BEL3412	FTG, ELB, .75" MPT X .50" HB, GFP	1
29	BM1238	FTG, STR, .50" MPT X .375" HB	1
30	BRB114 34	FTG, REDUCER, 1.25" MPT X .75" FPT, GFP	1
31	BTT12G	FTG, TEE, .50" FPT W/ .25 FPT	1
32	EL1438	FTG, ELB, .25" MPT X .375" HB	1
33	EL3838	FTG, ELB, .375" MPT X .375" HB, GFP	1
34	RVB12 80	STRAINER, .50" X 80 MESH	1
35	380RB	3/8" I.D. RUBBER HOSE	-
36	120RB	1/2" I.D. RUBBER HOSE	-

Please order replacement parts by PART NO. and DESCRIPTION

FRAME PARTS BREAKDOWN

SKID MOUNT GAS SPRAYER FRAME



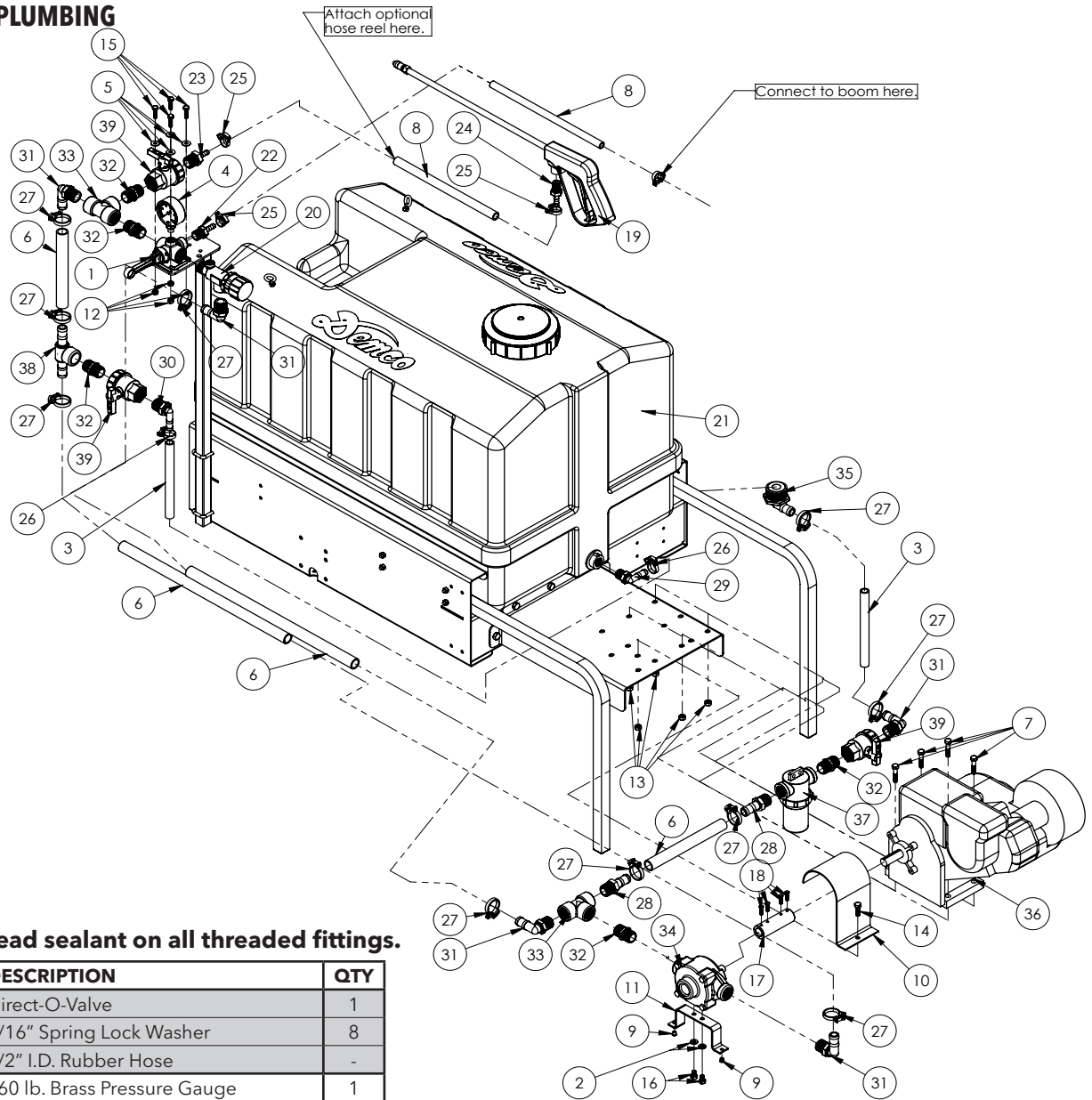
REF	PART NO	DESCRIPTION	QTY
1.	00004	5/16" Flatwasher	6
2.	00036	5/16" Spring Lock Washer	8
3.	00059	3/8" Flatwasher	5
4.	00062	1/4" Hex Nut	2
5.	00568	#10NC x 1/2" Screw	2
6.	00907	3/8"-16 UNC x 1" Hex Hd. Bolt	5
7.	01263	5/16"-16 UNC x 3/4" Hex Hd. Bolt	8
8.	02205	#10NC Nylon Insert Locknut	2
9.	02592	3/8"-16 UNC Nylon Insert Locknut	5
10.	02772	1/4"-20 UNC Nylon Insert Locknut	12
11.	04739	1" Square Cap Plug	2
12.	04822	1/4"-20 UNC x 1" Square U-bolt	6
13.	11736	Plastic Handgun Clip	2
14.	12409-76	Gas Pump Mount	1
15.	12415-76	Boom Mount	2

REF	PART NO	DESCRIPTION	QTY
16.	12420-76	Skid Frame	1
17.	12425-76	Valve Mount	1
18.	12426	1/4"-20NC Eye Bolt	2
19.	12427-76	Hose Holder	1
20.	35638	60 Gallon Tank (Includes Lid)	1
-	35639	80 Gallon Tank (Includes Lid)	1
21.	PL5A	5" Lid	1

Please order replacement parts by PART NO. and DESCRIPTION

PLUMBING PARTS BREAKDOWN

SKID MOUNT GAS PLUMBING

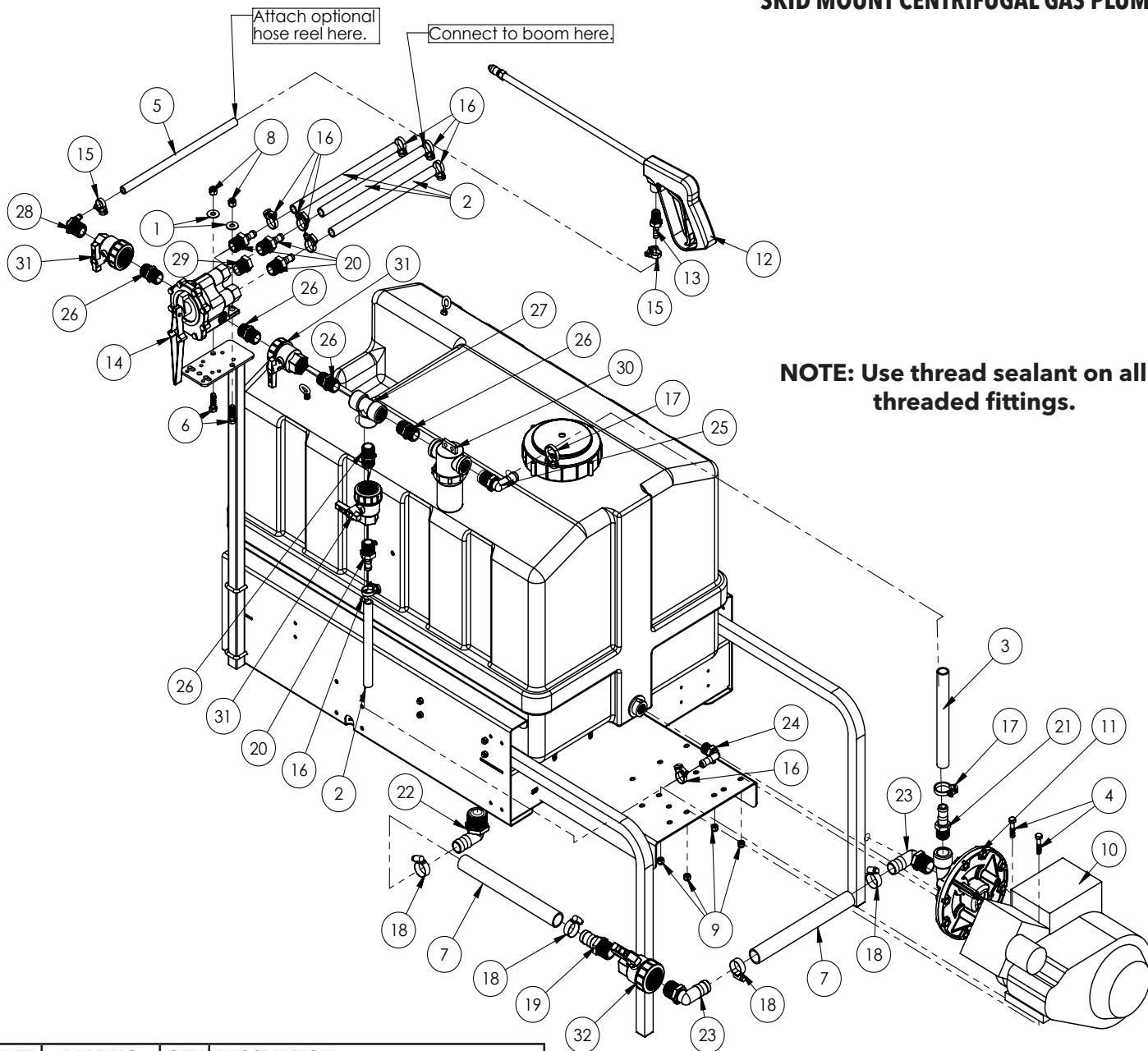


NOTE: Use thread sealant on all threaded fittings.

REF	PART NO	DESCRIPTION	QTY
1.	6B1	Direct-O-Valve	1
2.	00036	5/16" Spring Lock Washer	8
3.	120RB	1/2" I.D. Rubber Hose	-
4.	160GB	160 lb. Brass Pressure Gauge	1
5.	00214	1/4" Flatwasher	4
6.	340RB	3/4" I.D. Rubber Hose	-
7.	00372	5/16"-18 UNC x 1-1/2" Hex Head Bolt	4
8.	380RB	3/8" I.D. Rubber Hose	-
9.	01872	Rubber Bumper	2
10.	02653-76	Pump Driveshaft Shield	1
11.	02660-76	Pump Mounting Bracket	1
12.	02772	1/4"-20 UNC Nylon Insert Locknut	16
13.	02802	5/16"-18 UNC Nylon Insert Locknut	5
14.	02990	5/16"-18 UNC x 1" Hex Hd. Bolt	1
15.	04055	1/4"-20 UNC x 1" Hex Hd. Bolt	4
16.	04305	5/16"-18 UNC x 1/2" Hex Hd. Bolt	2
17.	04880-95	Pump Coupler	1
18.	07174	Coupler Set Screws	4
19.	12434	Spray Gun, 18" Wand With #18 Tip	1
20.	23340PP	3/4" Pressure Relief Valve	1
21.	35638	60 Gallon Tank (Includes Lid)	1
-	35639	80 Gallon Tank (Includes Lid)	1
22.	A1238	1/2" MPT x 3/8" Hose Barb	1
23.	A3438	3/4" MPT x 3/8" Hose Barb	1

REF	PART NO	DESCRIPTION	QTY
24.	A3838	3/8" MPT x 3/8" Hose Barb	1
25.	B6PH	3/8" Hose Clamp Plastic	4
26.	B8PH	1/2" Hose Clamp Plastic	2
27.	B12PH	3/4" Hose Clamp Plastic	10
28.	BA3434	3/4" MPT x 3/4" Hose Barb	2
29.	BEL1212	1/2" MPT x 1/2" Hose Barb Elbow	1
30.	BEL3412	3/4" MPT x 1/2" Hose Barb	1
31.	BEL3434	3/4" MPT x 3/4" Hose Barb Elbow	5
32.	BM3400	3/4" MPT x 3/4" MPT	5
33.	BTT34	3/4" FPT Tee	2
34.	C4101	Cast Iron Roller Pump	1
-	XL4101	Silver Cast Roller Pump	1
-	3430 0158	Roller Pump Repair Kit	-
35.	EL114 34	1-1/4" MPT x 3/4" Hose Barb Elbow	1
36.	GE3HP	3-1/2 H.P. Briggs Gas Engine	1
-	GH4HP	4 H.P. Honda Gas Engine	1
37.	RVF34 80	3/4" Line Strainer With 80 Mesh Screen	1
38.	T34F	3/4" Hose Barb Tee	1
39.	UV075FP	3/4" Poly Ball Valve	3

Please order replacement parts by PART NO. and DESCRIPTION



NOTE: Use thread sealant on all threaded fittings.

REF	PART NO	QTY	DESCRIPTION
1.	00059	7	3/8" Flatwasher
2.	120RB	1	1/2" I.D. Rubber Hose
3.	340RB	-	3/4" I.D. Rubber Hose
4.	00372	4	5/16"-18 UNC x 1-1/2" Hex Head Bolt
5.	380RB	-	3/8" I.D. Rubber Hose
6.	00523	2	3/8"-16 UNC x 1-1/4" Hex Hd. Bolt
7.	1010RB	-	1" I.D. Rubber Hose
8.	02592	7	3/8"-16 UNC Nylon Insert Locknut
9.	02802	4	5/16"-18 UNC Nylon Insert Locknut
10.	11922	1	Honda 3HP gas engine
11.	11923	1	Ace pump
12.	12434	1	Spray Gun, 18" Wand With #18 Tip
13.	A3838	1	3/8" MPT x 3/8" Hose Barb
14.	AA17I	1	3 Section Valve
15.	B6PH	2	3/8" Hose Clamp Plastic
16.	B8PH	8	1/2" Hose Clamp Plastic
17.	B12PH	2	3/4" Hose Clamp Plastic
18.	B16H	4	1" Hose Clamp S.S.

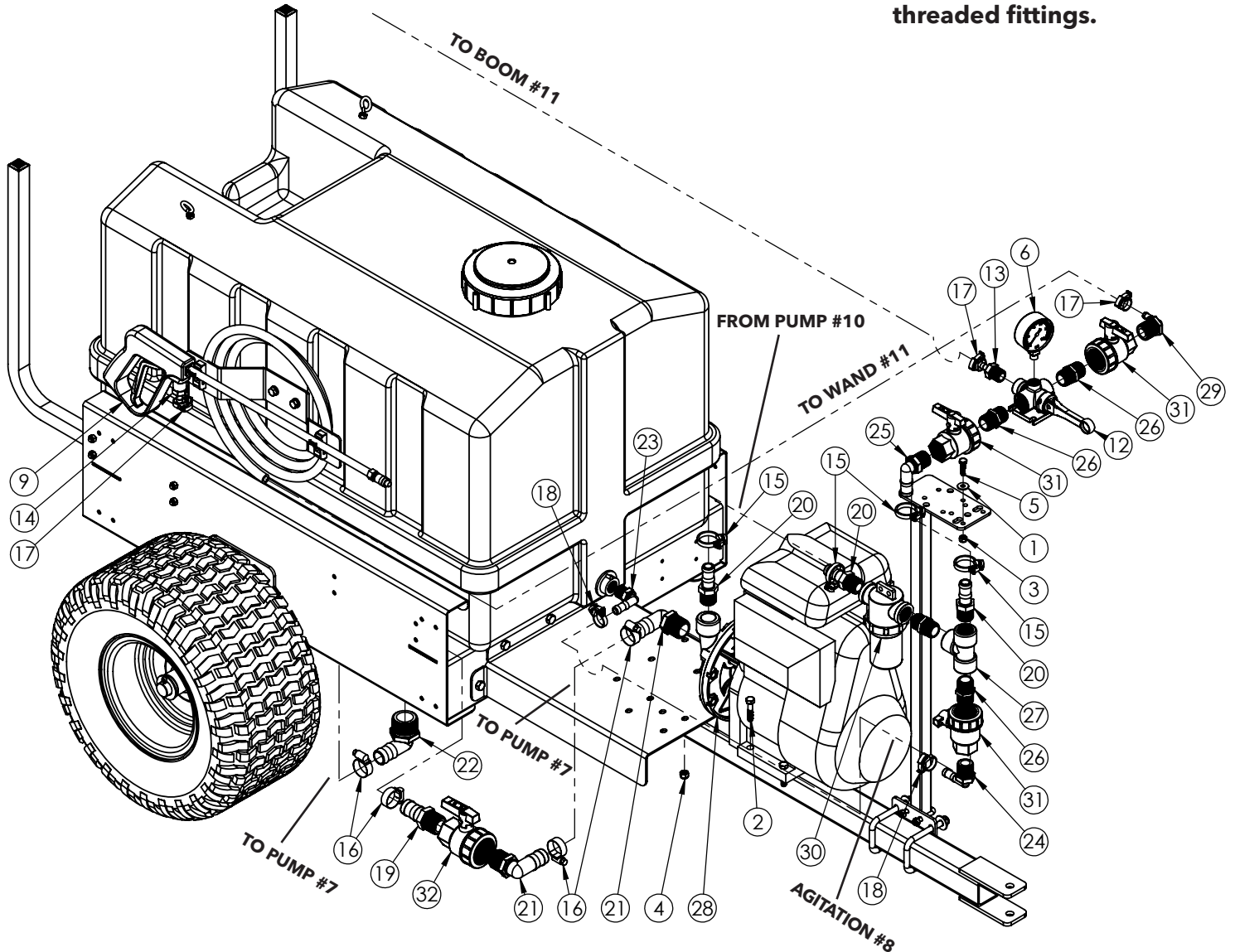
REF	PART NO	QTY	DESCRIPTION
19.	BA1010	1	1" MPT x 1" Hose Barb
20.	BA3412	4	3/4" MPT x 1/2" Hose Barb
21.	BA3434	1	3/4" MPT x 3/4" Hose Barb
22.	BEL114 1	1	1 1/4" MPT x 1" Hose Barb Elbow
23.	BEL1010	2	1" MPT x 1" Hose Barb Elbow
24.	BEL1212	1	1/2" MPT x 1/2" Hose Barb Elbow
25.	BEL3434	1	3/4" MPT x 3/4" Hose Barb Elbow
26.	BM3400	5	3/4" MPT x 3/4" MPT
27.	BTT34	1	3/4" FPT Tee
28.	EL3438	1	3/4" MPT x 3/8" Hose Barb Elbow
29.	F3400	1	3/4" FPT Plug (GFP)
30.	RVF34 80	1	3/4" Line Strainer With 80 Mesh Screen
31.	UV075FP	3	3/4" Poly Ball Valve
32.	UV100FP	1	1" Poly Ball Valve

Please order replacement parts by PART NO. and DESCRIPTION

GAS PLUMBING PARTS BREAKDOWN

TRAILER CENTRIFUGAL GAS PLUMBING PARTS BREAKDOWN

NOTE: Use thread sealant on all threaded fittings.

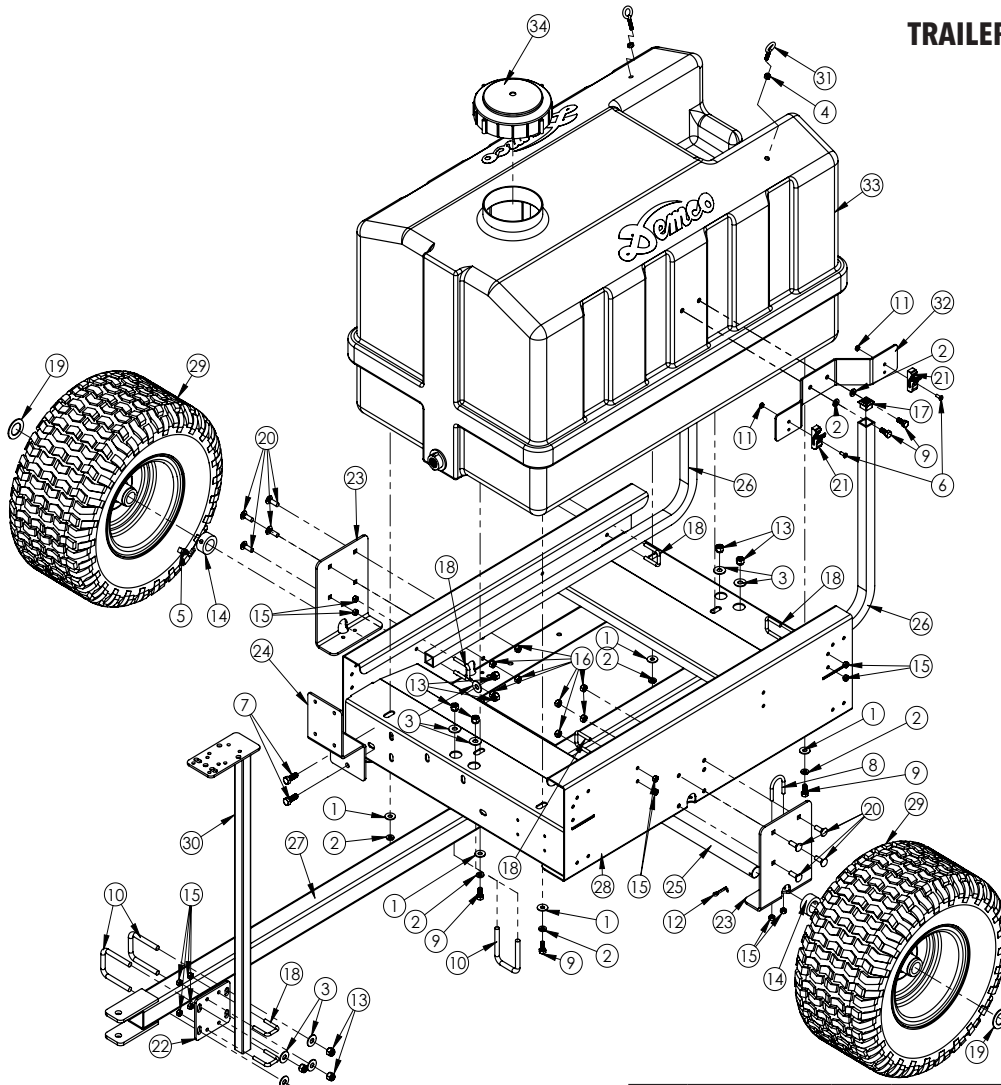


REF	PART NO	QTY	DESCRIPTION
1.	00214	4	1/4" Flatwasher
2.	00372	4	5/16"-18 UNC x 1-1/2" Hex Head Bolt
3.	02772	4	1/4"-20 UNC Nylon Insert Locknut
4.	02802	4	5/16"-18 UNC Nylon Insert Locknut
5.	04055	4	1/4"-20 UNC x 1" Hex Hd. Bolt
6.	100GB	1	100 lb. Brass Pressure Gauge
7.	1010RB	-	1" I.D. Rubber Hose
8.	120RB	-	1/2" I.D. Rubber Hose
9.	12434	1	Spray Gun, 18" Wand With #18 Tip
10.	340RB	-	3/4" I.D. Rubber Hose
11.	380RB	-	3/8" I.D. Rubber Hose
12.	6B1	1	Direct-O-Valve
13.	A1238	1	1/2" MPT x 3/8" Hose Barb
14.	A3838	1	3/8" MPT x 3/8" Hose Barb
15.	B12PH	4	3/4" Hose Clamp Plastic
16.	B16H	4	1" Hose Clamp S.S.
17.	B6PH	3	3/8" Hose Clamp Plastic
18.	B8PH	2	1/2" Hose Clamp Plastic

REF	PART NO	QTY	DESCRIPTION
19.	BA1010	1	1" MPT x 1" Hose Barb
20.	BA3434	3	3/4" MPT x 3/4" Hose Barb
21.	BEL1010	2	1" MPT x 1" Hose Barb Elbow
22.	BEL114 1	1	1 1/4" MPT x 1" Hose Barb Elbow
23.	BEL1212	1	1/2" MPT x 1/2" Hose Barb Elbow
24.	BEL3412	1	3/4" MPT x 1/2" Hose Barb
25.	BEL3434	1	3/4" MPT x 3/4" Hose Barb Elbow
26.	BM3400	4	3/4" MPT x 3/4" MPT
27.	BTT34	1	3/4" FPT Tee
28.	DAC135H	1	Pump Cent Ace Pump w/ 3HP Honda
-	11922	1	Engine Honda 3HP Gas 5/8" Keyed Shaft
-	11923	1	Cent 1" Ace Poly Pump
29.	EL3438	1	3/4" MPT x 3/8" Hose Barb Elbow
30.	RVF34 80	1	3/4" Line Strainer With 80 Mesh Screen
31.	UV075FP	3	3/4" Poly Ball Valve
32.	UV100FP	1	1" Poly Ball Valve

Please order replacement parts by PART NO. and DESCRIPTION

TRAILER ELECTRIC SPRAYER FRAME



REF	PART NO	QTY	DESCRIPTION
1.	00004	6	5/16" Flatwasher (Qty. 14 for 40 Gal)
2.	00036	8	5/16" Spring Lock Washer
3.	00059	10	3/8" Flatwasher (Qty. 2 for 40 Gal)
4.	00062	2	1/4" Hex Nut (60 & 80 Gal)
5.	00095	2	3/8"-16 UNC x 3/4" SQ Set Screw (60 & 80 Gal)
6.	00568	2	#10NC x 1/2" Screw
7.	00907	2	3/8"-16 UNC x 1" Hex Hd. Bolt
8.	00955	2	1/4"NC x 1" x 2" Round U-Bolt (60 & 80 Gal)
-	05677	2	5/16"NC x 7/8" x 1 5/8" Round U-Bolt (40 Gal)
9.	01263	8	5/16"-16 UNC x 3/4" Hex Hd. Bolt
10.	02128	4	3/8"NC x 2 1/16" x 3" SQ U-Bolt (60 & 80 Gal)
-	05678	4	5/16"NC x 1 1/2" x 2 1/4" Square U-Bolt (40 Gal)
11.	02205	2	#10NC Nylon Insert Locknut
12.	02363	2	5/32" x 1 1/4" Cotter Pin
13.	02592	10	3/8"-16 UNC Nylon Insert Locknut (Qty. 2 for 40)
14.	02635-95	2	1" Collar
-	12492-95	2	3/4" Collar
15.	02772	16	1/4"-20 UNC Nylon Insert Locknut
16.	02802	8	5/16"-16 UNC Nylon Locknut (Qty. 20 for 40 Gal)
17.	04739	2	1" Square Cap Plug
18.	04822	6	1/4"-20 UNC x 1" Square U-bolt

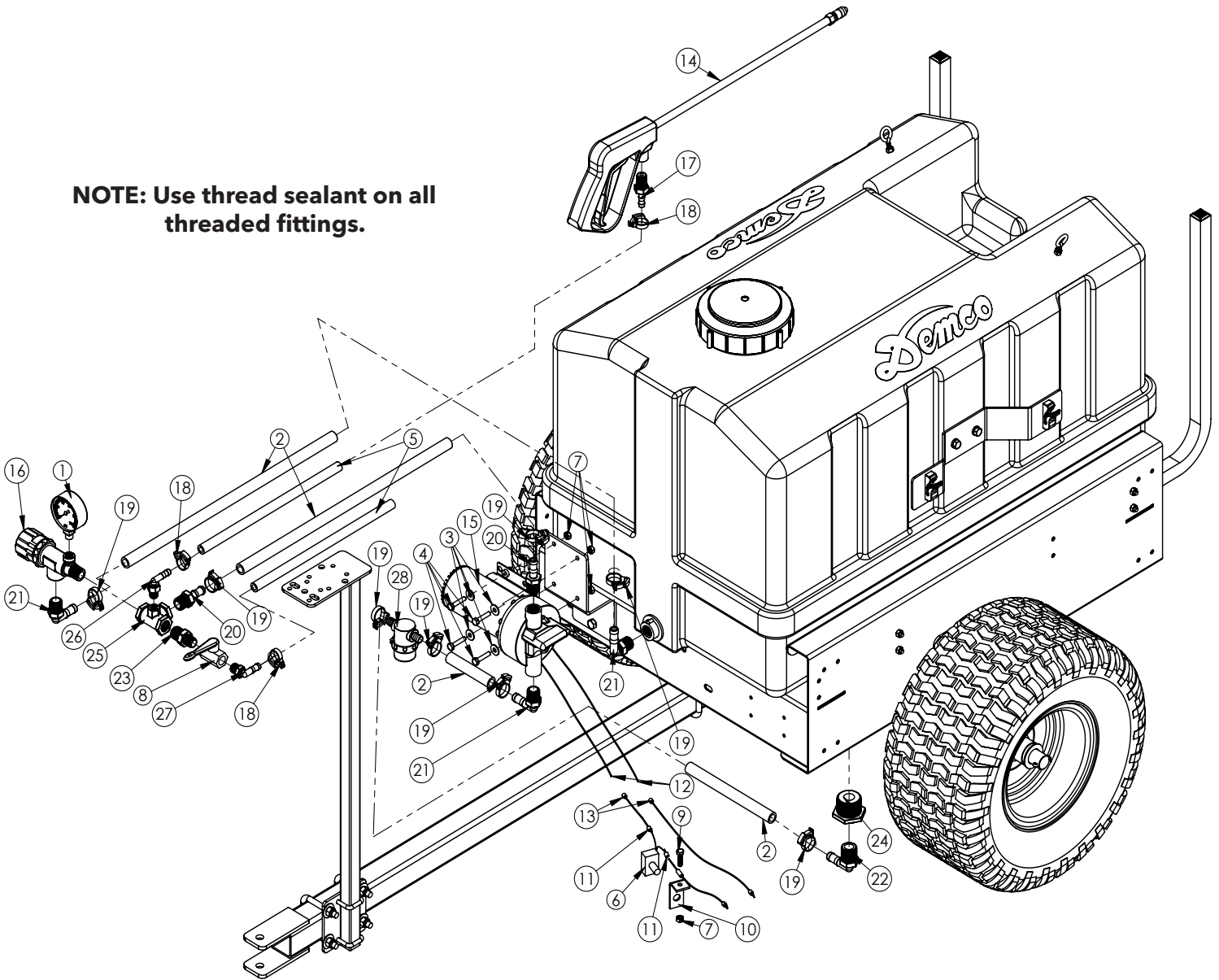
REF	PART NO	QTY	DESCRIPTION
19.	05587	2	1" x 14GA Washer (60 & 80 Gal)
-	02534	2	3/4" x 14GA Washer (40 Gal)
20.	11439	8	5/16"NC x 1" Carriage Bolt
21.	11736	2	Plastic H&gun Clip
22.	12405-30	1	Valve Mount Plate For Tongue
23.	12407-30	2	Height Adjuster (60 & 80 Gal)
-	12411-30	2	Height Adjuster (40 Gal Only)
24.	12408-30	1	Electric Pump Mount
25.	12412-95	1	1" Plated Axle (60 & 80 Gal)
-	12413-95	1	3/4" Plated Axle (40 Gal)
26.	12415-30	2	Boom Mount
27.	12418-30	1	Tongue (60 & 80 Gal)
-	12417-30	1	Tongue (40 Gal)
28.	12420-30	1	Skid Frame
29.	12423	2	18"x9 1/2"x8", 2 Ply Tire/Hub (60 & 80 Gal)
-	02642	1	Replacement Bearing
-	12424	2	15" x 6" x 6", 2 Ply Tire/Hub (40 Gal)
30.	12425-30	1	Valve Mount
31.	12426	2	1/4"-20NC Eye Bolt (60 & 80 Gal)
32.	12427-30	1	Hose Holder
33.	35637	1	40 Gal Tank (Includes Lid, No Jug Holder)
-	35638	1	60 Gal Tank (Includes Lid)
-	35639	1	80 Gal Tank (Includes Lid)
34.	PL5A	1	5" Lid

Please order replacement parts by PART NO. and DESCRIPTION

PLUMBING PARTS BREAKDOWN

TRAILER ELECTRIS PLUMBING

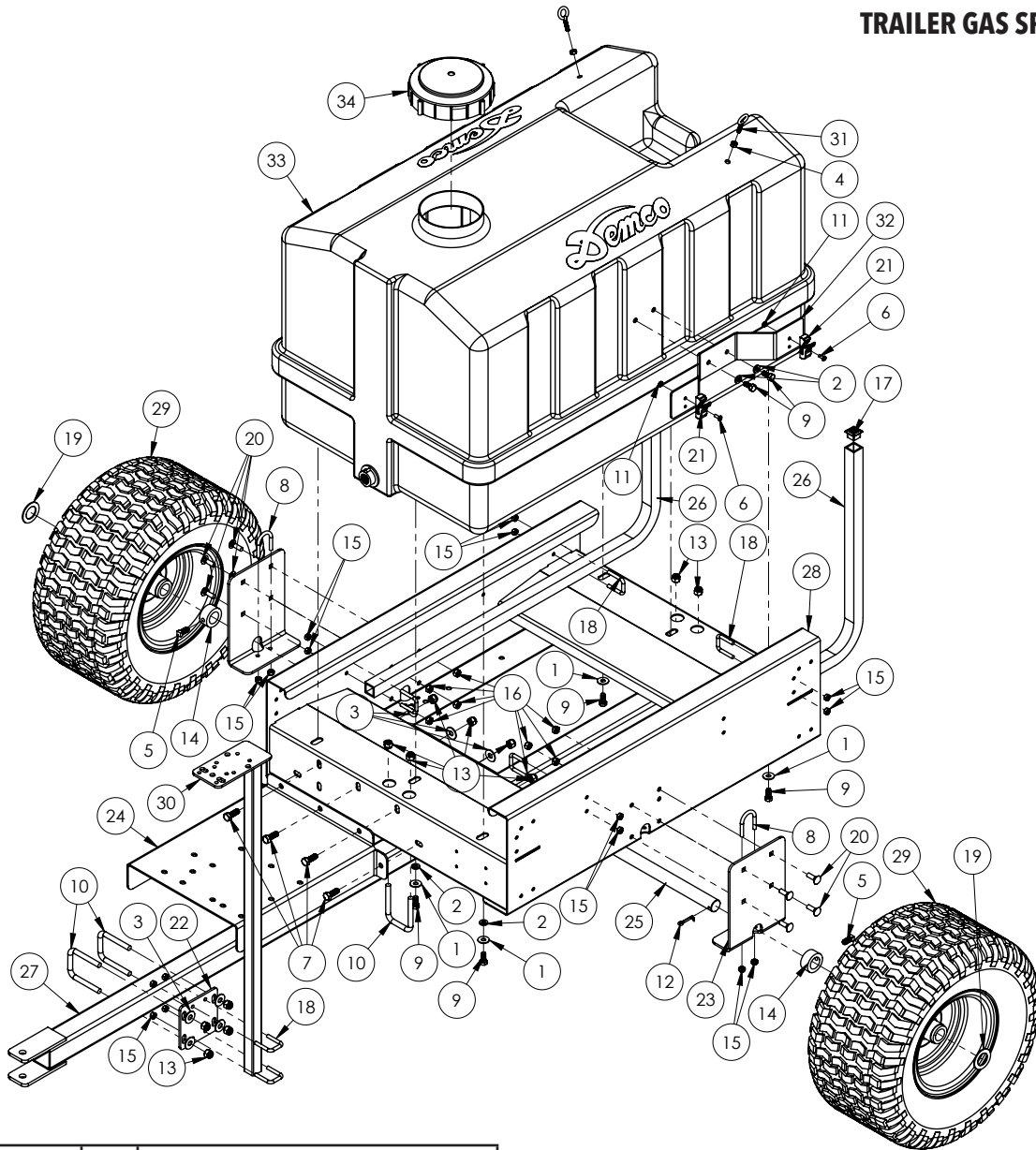
NOTE: Use thread sealant on all threaded fittings.



REF	PART NO	QTY	DESCRIPTION
1.	100GB	1	100 lb. Pressure Gauge
2.	120RB	-	1/2" I.D. Rubber Hose
3.	00214	4	1/4" Flatwasher
4.	00336	4	1/4"-20 UNC x 1-1/4" Hex Head Bolt
5.	380RB	-	3/8" I.D. Rubber Hose
6.	01013	1	Switch
7.	02772	5	1/4"-20 UNC Nylon Insert Locknut
8.	03900	1	3/8" FPT x 3/8" FPT Valve
9.	04055	1	1/4"-20UNC x 1" Hex Head Bolt
10.	04755-95	1	Switch Mount
11.	05004	2	Female Push on Connectors
12.	05020	2	Male Bullet Connectors
13.	05021	2	Female Bullet Connectors
14.	12434	1	Spray Gun, 18" Wand With #18 Tip
15.	12981	1	12 Volt Electric Pump 5 GPM

REF	PART NO	QTY	DESCRIPTION
16.	23120PP	1	1/2" NPT Pressure Relief Valve
17.	A3838	1	3/8" MPT x 3/8" Hose Barb Fitting
18.	B6PH	4	3/8" Hose Clamp Plastic
19.	B8PH	8	1/2" Hose Clamp Plastic
20.	BA1212	2	1/2" MPT x 1/2" Hose Barb Fitting
21.	BEL1212	3	1/2" MPT x 1/2" Hose Barb Elbow
22.	BEL3412	1	3/4" MPT x 1/2" Hose Barb Elbow
23.	BM1238	1	1/2" MPT x 3/8" MPT Fitting
24.	BRB114 34	1	1-1/4" MPT x 3/4" MPT Reducer Bushing
25.	BTT12G	1	1/2" FPT Tee (Tapped For Gauge)
26.	EL1438	1	1/4" MPT x 3/8" Hose Barb Elbow
27.	EL3838	1	3/8" MPT x 3/8" Hose Barb Elbow
28.	RVB12 80	1	Strainer With 80 Mesh Screen

Please order replacement parts by PART NO. and DESCRIPTION



REF	PART NO	QTY	DESCRIPTION
1.	00004	6	5/16" Flatwasher
2.	00036	8	5/16" Spring Lock Washer
3.	00059	13	3/8" Flatwasher
4.	00062	2	1/4" Hex Nut
5.	00095	2	3/8"-16 UNC x 3/4" Square Set Screw
6.	00568	2	#10NC x 1/2" Screw
7.	00907	5	3/8"-16 UNC x 1" Hex Hd. Bolt
8.	00955	2	1/4"NC x 1" x 2" Round U-Bolt
9.	01263	8	5/16"-16 UNC x 3/4" Hex Hd. Bolt
10.	02128	4	3/8"NC x 2 1/16" x 3" Square U-Bolt
11.	02205	2	#10NC Nylon Insert Locknut
12.	02363	2	5/32" x 1 1/4" Cotter Pin
13.	02592	13	3/8"-16 UNC Nylon Insert Locknut
14.	02635-95	2	1" Collar
15.	02772	16	1/4"-20 UNC Nylon Insert Locknut
16.	02802	8	5/16"-16 UNC Nylon Insert Locknut
17.	04739	2	1" Square Cap Plug
18.	04822	6	1/4"-20 UNC x 1" Square U-bolt

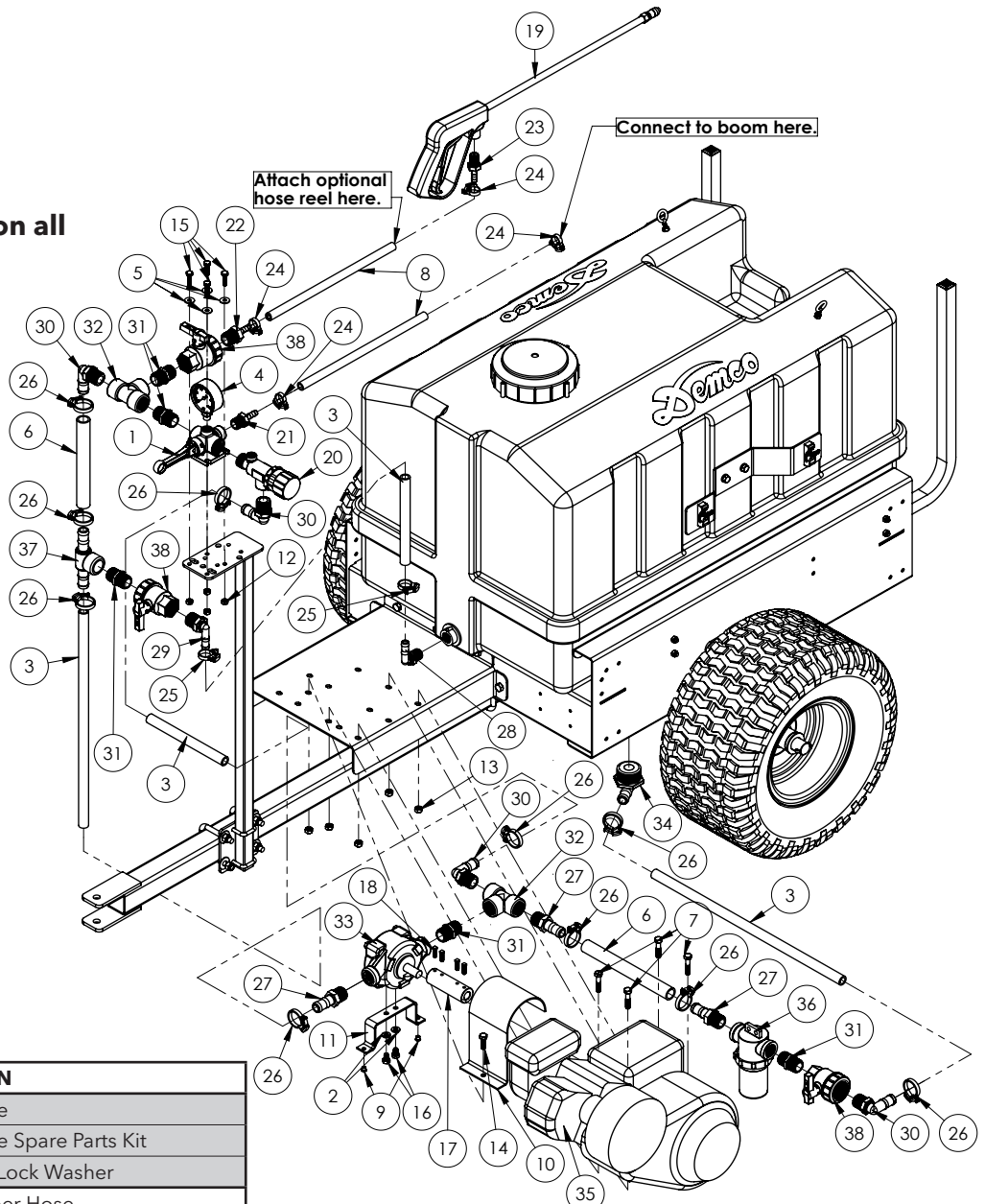
REF	PART NO	QTY	DESCRIPTION
19.	05587	2	1" x 14GA Washer
20.	11439	8	5/16"NC x 1" Carriage Bolt
21.	11736	2	Plastic Handgun Clip
22.	12405-76	1	Valve Mount Plate For Tongue
23.	12407-76	2	Height Adjuster
24.	12409-30	1	Gas Motor Mount
25.	12412-95	1	1" Plated Axle
26.	12415-76	2	Boom Mount
27.	12418-76	1	Tongue
28.	12420-76	1	Skid Frame
29.	12423	2	18"x9 1/2"x8", 2 Ply Tire/Hub
-	02642	-	Replacement Bearing
30.	12425-76	1	Valve Mount
31.	12426	2	1/4"-20NC Eye Bolt
32.	12427-76	1	Hose Holder
33.	35638	1	60 Gallon Tank (Includes Lid)
-	35639	1	80 Gallon Tank (Includes Lid)
34.	PL5A	1	5" Lid

Please order replacement parts by **PART NO. and DESCRIPTION**

PLUMBING PARTS BREAKDOWN

TRAILER GAS PLUMBING

NOTE: Use thread sealant on all threaded fittings.

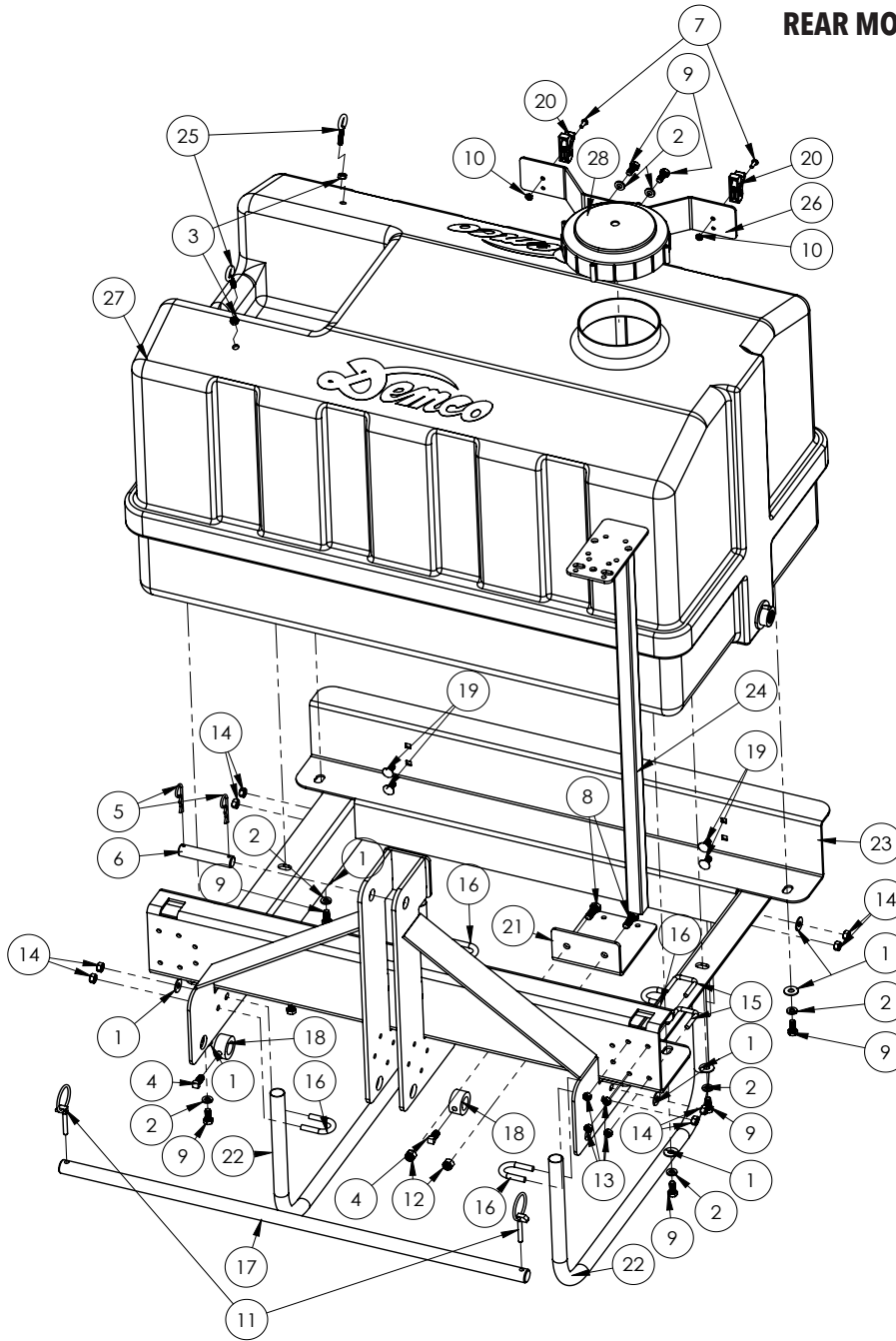


REF	PART NO	QTY	DESCRIPTION
1.	6B1	1	Direct-O-Valve
-	AB6B1	-	Direct-O-Valve Spare Parts Kit
2.	00036	2	5/16" Spring Lock Washer
3.	12ORB	-	1/2" I.D. Rubber Hose
4.	160GB	1	160 lb. Brass Pressure Gauge
5.	00214	4	1/4" Flatwasher
6.	34ORB	-	3/4" I.D. Rubber Hose
7.	00372	4	5/16"-18 UNC x 1-1/2" Hex Head Bolt
8.	38ORB	-	3/8" I.D. Rubber Hose
9.	01872	2	Rubber Bumper
10.	02653-30	1	Pump Driveshaft Shield
11.	02660-30	1	Pump Mounting Bracket
12.	02772	4	1/4"-20 UNC Nylon Insert Locknut
13.	02802	5	5/16"-18 UNC Nylon Insert Locknut
14.	02990	1	5/16"-18 UNC x 1" Hex Hd. Bolt
15.	04055	4	1/4"-20 UNC x 1" Hex Hd. Bolt
16.	04305	2	5/16"-18 UNC x 1/2" Hex Hd. Bolt
17.	04880-95	1	Pump Coupler
18.	07174	4	Coupler Set Screws
19.	12434	1	Spray Gun, 18" Wand With #18 Tip
20.	23340PP	1	3/4" Pressure Relief Valve
21.	A1238	1	1/2" MPT x 3/8" Hose Barb
22.	A3438	1	3/4" MPT x 3/8" Hose Barb
23.	A3838	1	3/8" MPT x 3/8" Hose Barb

REF	PART NO	QTY	DESCRIPTION
24.	B6PH	4	3/8" Hose Clamp Plastic
25.	B8PH	2	1/2" Hose Clamp Plastic
26.	B12PH	10	3/4" Hose Clamp Plastic
27.	BA3434	3	3/4" MPT x 3/4" Hose Barb
28.	BEL1212	1	1/2" MPT x 1/2" Hose Barb Elbow
29.	BEL3412	1	3/4" MPT x 1/2" Hose Barb
30.	BEL3434	4	3/4" MPT x 3/4" Hose Barb Elbow
31.	BM3400	5	3/4" MPT x 3/4" MPT
32.	BTT34	2	3/4" FPT Tee
33.	C4101	1	Cast Iron Roller Pump
-	XL4101	1	Silver Cast Roller Pump
-	3430 0158	-	Roller Pump Repair Kit
34.	EL114 34	1	1-1/4" MPT x 3/4" Hose Barb Elbow
35.	GE3HP	1	3-1/2 H.P. Briggs Gas Engine
-	GH4HP	1	4 H.P. Honda Gas Engine
36.	RVF34 80	1	3/4" Line Strainer With 80 Mesh Screen
37.	T34F	1	3/4" Hose Barb Tee
38.	UV075FP	3	3/4" Poly Ball Valve

Please order replacement parts by PART NO. and DESCRIPTION

REAR MOUNT ELECTRIC SPRAYER FRAME



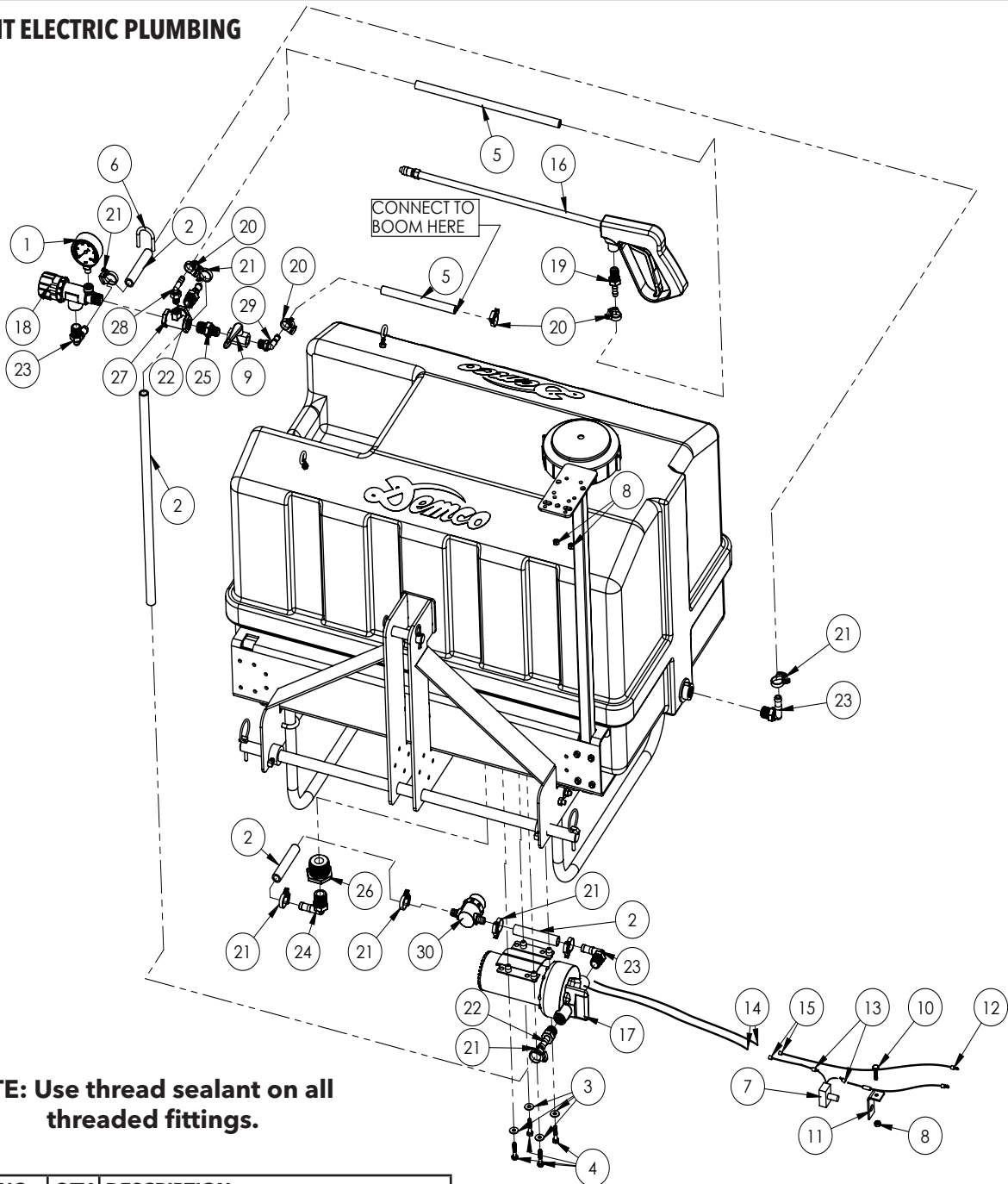
REF	PART NO	QTY	DESCRIPTION
1.	00004	10	5/16" Flatwasher
2.	00036	8	5/16" Spring Lock Washer
3.	00062	2	1/4" Hex Nut (60 and 80 Gallon Only)
4.	00095	2	3/8"-16 UNC x 3/4" Square Set Screw
5.	00182	2	.120 Wire x 2 3/8" OAL Hair Pin
6.	00284-95	1	3/4" x 3 1/2" Plated Pin
7.	00568	2	#10NC x 1/2" Screw
8.	00907	2	3/8"-16 UNC x 1" Hex Hd. Bolt
9.	01263	8	5/16"-16 UNC x 3/4" Hex Hd. Bolt
10.	02205	2	#10NC Nylon Insert Locknut
11.	02397	2	1/4" x 1 11/16" Standard Lynch Pin
12.	02592	2	3/8"-16 UNC Nylon Insert Locknut
13.	02772	4	1/4"-20 UNC Nylon Insert Locknut
14.	02802	8	5/16" UNC Nylon Insert Locknut
15.	04822	2	1/4"-20 UNC x 1" Square U-bolt
16.	05677	4	5/16" x 7/8" x 1 5/8" Round U-Bolt

REF	PART NO	QTY	DESCRIPTION
17.	05762-95	1	7/8" x 31" Bottom 3-pt Shaft
18.	05763-95	2	7/8" Collar
19.	06149	4	5/16"NC x 3/4" Carriage Bolt
20.	11736	2	Plastic Handgun Clip
21.	12406-76	1	Electric Pump Mount
22.	12410-76	2	Rear Mount Leg
23.	12419-76	1	Rear Mount Frame
24.	12425-76	1	Valve Mount
25.	12426	2	1/4"-20NC Eye Bolt (60 and 80 Gallon Only)
26.	12427-76	1	Hose Holder
27.	35637	1	40 Gallon Tank (Includes Lid, No Jug Holder)
-	35638	1	60 Gallon Tank (Includes Lid)
-	35639	1	80 Gallon Tank (Includes Lid)
28.	PL5A	1	5" Lid

Please order replacement parts by PART NO. and DESCRIPTION

PLUMBING PARTS BREAKDOWN

REAR MOUNT ELECTRIC PLUMBING



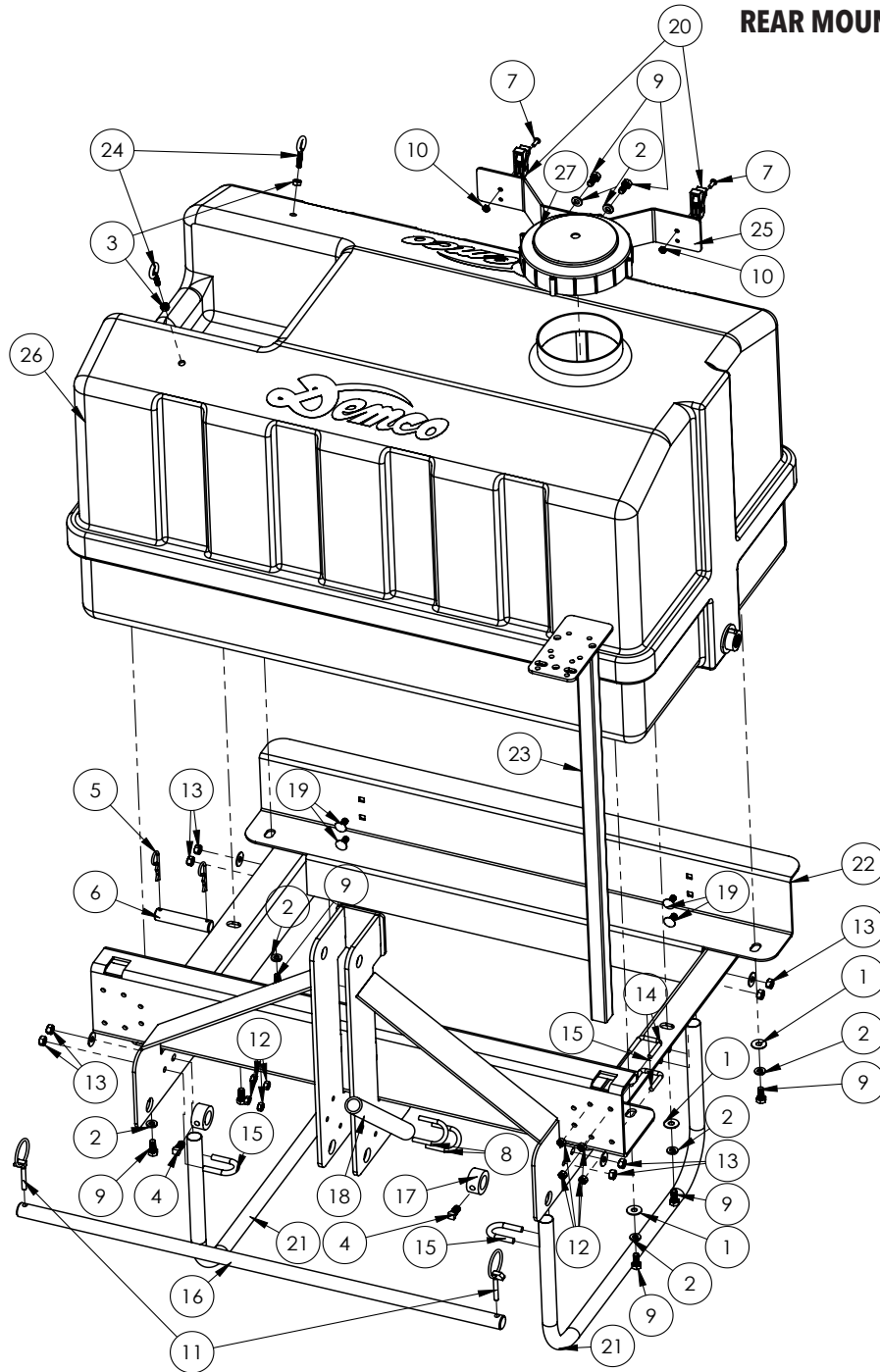
NOTE: Use thread sealant on all threaded fittings.

REF	PART NO	QTY	DESCRIPTION
1.	100GB	1	100 lb. Pressure Gauge
2.	120RB	-	1/2" I.D. Rubber Hose
3.	00214	4	1/4" Flatwasher
4.	00336	4	1/4"-20 UNC x 1-1/4" Hex Head Bolt
5.	380RB	-	3/8" I.D. Rubber Hose
6.	00955	1	1/4"NC x 1" x 2" Round U-Bolt
7.	01013	1	Switch
8.	02772	7	1/4"-20 UNC Nylon Insert Locknut
9.	03900	1	3/8" FPT x 3/8" FPT Valve
10.	04055	1	1/4"-20UNC x 1" Hex Head Bolt
11.	04755-95	1	Switch Mount
12.	04764	1	10' Wire Harness
13.	05004	2	Female Push on Connectors
14.	05020	2	Male Bullet Connectors
15.	05021	2	Female Bullet Connectors

REF	PART NO	QTY	DESCRIPTION
16.	12434	1	Spray Gun, 18" Wand With #18 Tip
17.	12981	1	12 Volt Electric Pump 5 GPM
18.	23120PP	1	1/2" NPT Pressure Relief Valve
19.	A3838	1	3/8" MPT x 3/8" Hose Barb Fitting
20.	B6PH	4	3/8" Hose Clamp Plastic
21.	B8PH	8	1/2" Hose Clamp Plastic
22.	BA1212	2	1/2" MPT x 1/2" Hose Barb Fitting
23.	BEL1212	3	1/2" MPT x 1/2" Hose Barb Elbow
24.	BEL3412	1	3/4" MPT x 1/2" Hose Barb Elbow
25.	BM1238	1	1/2" MPT x 3/8" MPT Fitting
26.	BRB114 34	1	1-1/4" MPT x 3/4" MPT Reducer Bushing
27.	BTT12G	1	1/2" FPT Tee (Tapped For Gauge)
28.	EL1438	1	1/4" MPT x 3/8" Hose Barb Elbow
29.	EL3838	1	3/8" MPT x 3/8" Hose Barb Elbow
30.	RVB12 80	1	Strainer With 80 Mesh Screen

Please order replacement parts by PART NO. and DESCRIPTION

REAR MOUNT PTO SPRAYER FRAME



REF	PART NO	QTY	DESCRIPTION
1.	00004	10	5/16" Flatwasher
2.	00036	8	5/16" Spring Lock Washer
3.	00062	2	1/4" Hex Nut
4.	00095	2	3/8"-16 UNC x 3/4" SQ Set Screw
5.	00182	2	.120 Wire x 2 3/8" OAL Hair Pin
6.	00284-95	1	3/4" x 3 1/2" Plated Pin
7.	00568	2	#10NC x 1/2" Screw
8.	00955	2	1/4"NC x 1" x 2" Round U-Bolt
9.	01263	8	5/16"-16 UNC x 3/4" Hex Hd. Bolt
10.	02205	2	#10NC Nylon Insert Locknut
11.	02397	2	1/4" x 1 11/16" Standard Lynch Pin
12.	02772	8	1/4"-20 UNC Nylon Insert Locknut
13.	02802	8	5/16" UNC Nylon Insert Locknut
14.	04822	2	1/4"-20 UNC x 1" Square U-bolt
15.	05677	4	5/16" x 7/8" x 1 5/8" Round U-Bolt

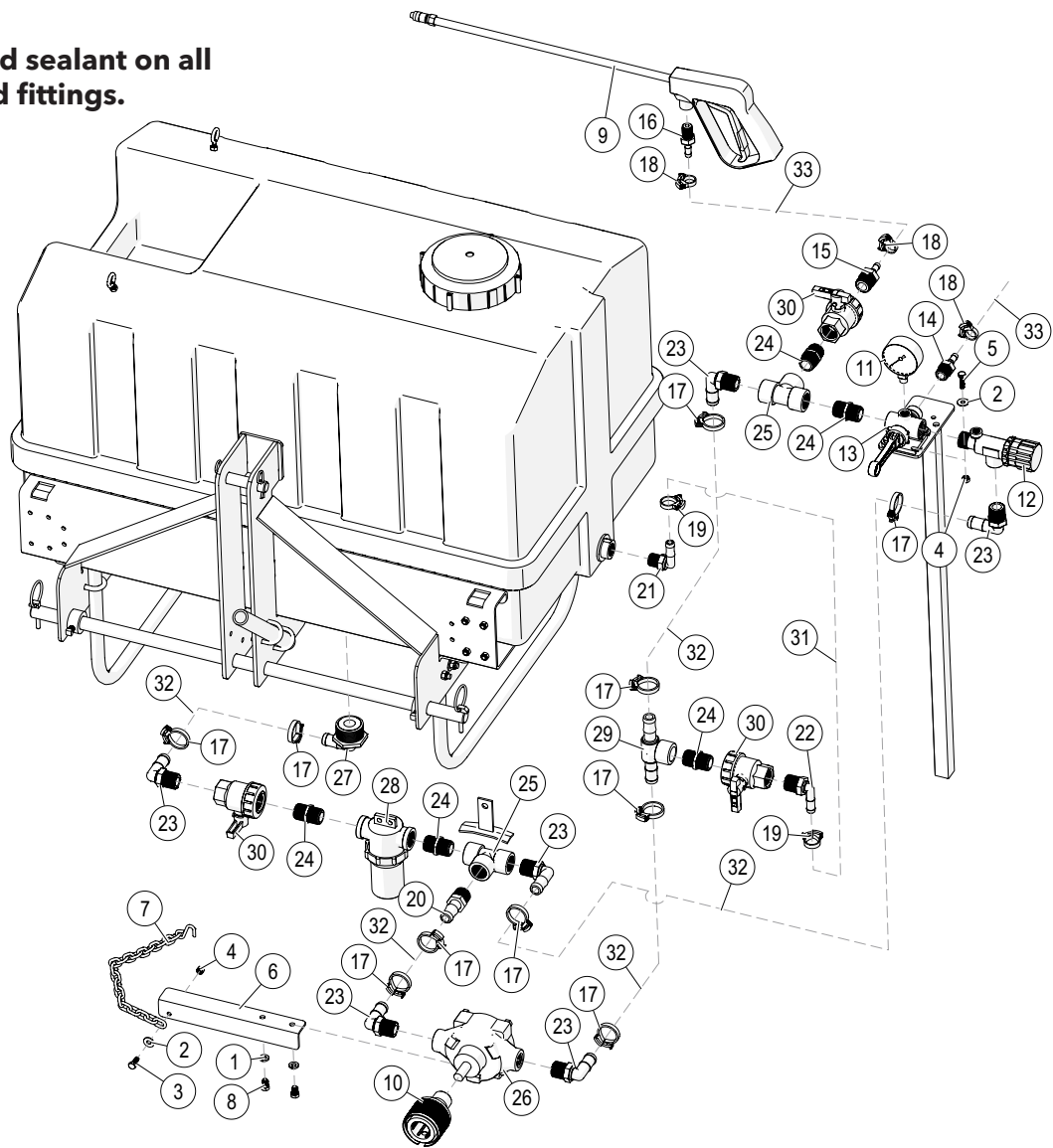
REF	PART NO	QTY	DESCRIPTION
16.	05762-95	1	7/8" x 31" Bottom 3-pt Shaft
17.	05763-95	2	7/8" Collar
18.	05768-95	1	PTO Storage Bracket
19.	06149	4	5/16"NC x 3/4" Carriage Bolt
20.	11736	2	Plastic Handgun Clip
21.	12410-76	2	Rear Mount Leg
22.	12419-76	1	Rear Mount Frame
23.	12425-76	1	Valve Mount
24.	12426	2	1/4"-20NC Eye Bolt
25.	12427-76	1	Hose Holder
26.	35638	1	60 Gallon Tank (Includes Lid)
-	35639	1	80 Gallon Tank (Includes Lid)
27.	PL5A	1	5" Lid

Please order replacement parts by PART NO. and DESCRIPTION

PTO PLUMBING PARTS BREAKDOWN

REAR MOUNT SINGLE SECTION PTO PLUMBING

NOTE: Use thread sealant on all threaded fittings.

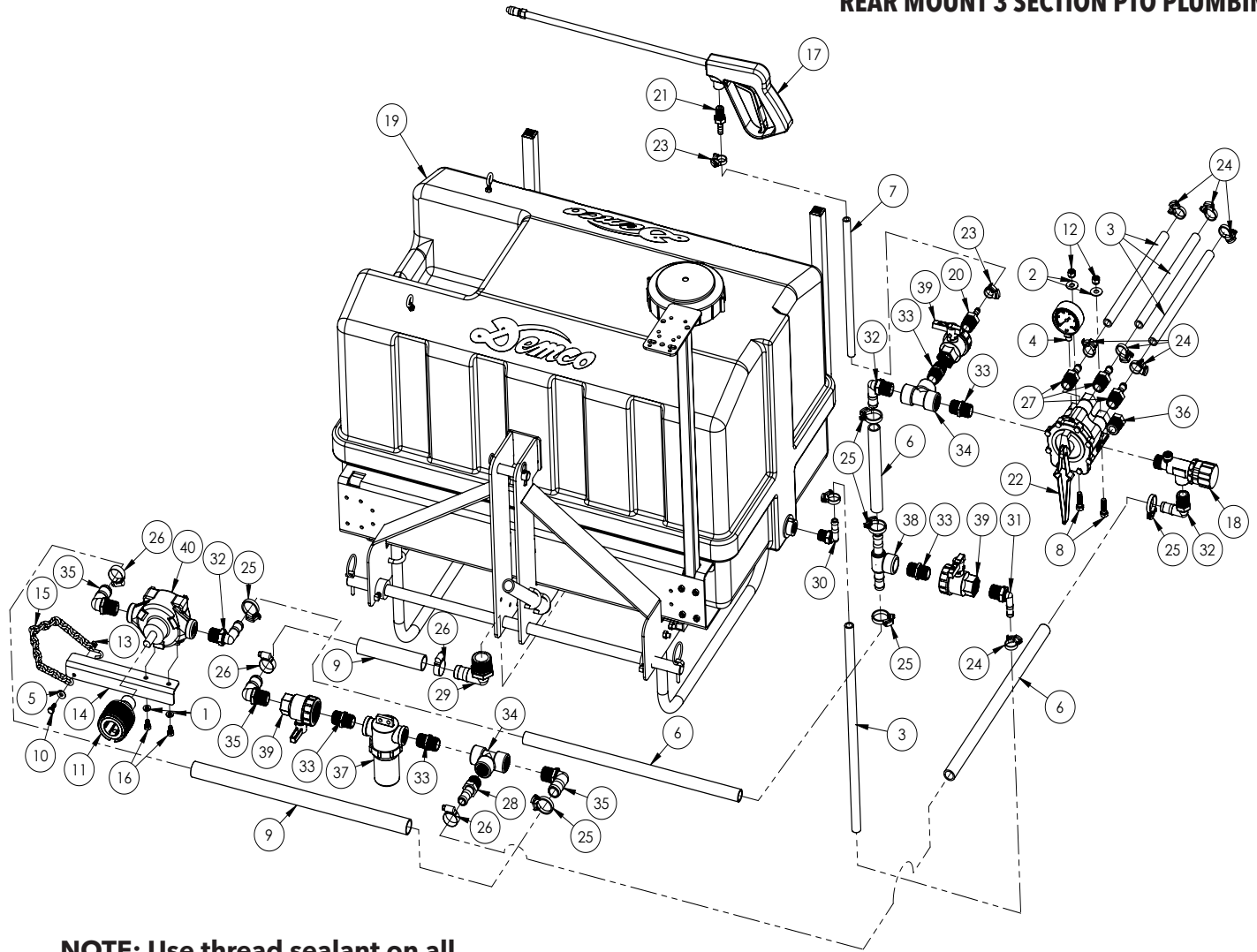


REF	PART NO	DESCRIPTION	QTY
1	00036	LW 0.3125	2
2	00214	WASHER, FLAT, .25	5
3	01076	BOLT .25NC X .75 GR5 HEX	1
4	02772	NUT, .25NC LOCK NYLON INSERT	5
5	04055	BOLT .25NC X 1.00 GR5 HEX	4
6	04298	ROLLER PUMP MOUNTING	1
7	04299	ROLLER PUMP CHAIN HOOK ASSEMBLY	1
8	04305	BOLT, 5/16NC X .50 GR5 HEX	2
9	12434	SPRAY GUN, 18" SYNTHETIC HAND	1
10	1321 0012	QUICK COUPLER, MULTI-SPEED	1
11	160GB	GAUGE BRASS 160#	1
12	23340PP	VALVE, PRESSURE RELIEF, 3/4"	1
13	6B1	DIRECT-O-VALVE, 3/4" X 1/2"	1
14	A1238	FTG, STR, .50 MPT X .375 HB	1
15	A3438	FTG, STR, .75" MPT X .375" HB	1
16	A3838	FTG, .375 MPT X .375 HB	1
17	b12ph	CLAMP, NYLON FOR .75 HOSE	10
18	B6PH	CLAMP, NYLON FOR .375 HOSE	3
19	B8PH	CLAMP, NYLON FOR .5 HOSE	2
20	BA3434	FTG, STR, .75" MPT X .75" HB, GFP	1

REF	PART NO	DESCRIPTION	QTY
21	BEL1212	FTG, ELB, .5" MPT X .5" HB, GFP	1
22	BEL3412	FTG, ELB, .75" MPT X .50" HB, GFP	1
23	BEL3434	FTG, ELB, .75" MPT X .75" HB, GFP	6
24	BM3400	FTG, NIP, .75" MPT, GFP	5
25	BTT34	FTG, TEE, .75" FPT, GFP	2
26	C6500	PUMP, ROLLER, LESS COUPLER	1
27	EL114 34	FTG, ELB, 1.25" MPT X .75 HB	1
28	RVF34 80	STRAINER, 80 MESH X .75 FPT	1
29	T34F	FTG, TEE, .75 FPT X .75 HB	1
30	UV075FP	BALL VALVE, .75" SINGLE UNION	3
31	120RB	HOSE EPDM .50 SPIRAL AG	1
32	340RB	HOSE EPDM .75 SPIRAL AG	1
33	380RB	HOSE EPDM .375 SPIRAL AG	1

Please order replacements parts by PART NO. and DESCRIPTION

REAR MOUNT 3 SECTION PTO PLUMBING



NOTE: Use thread sealant on all threaded fittings.

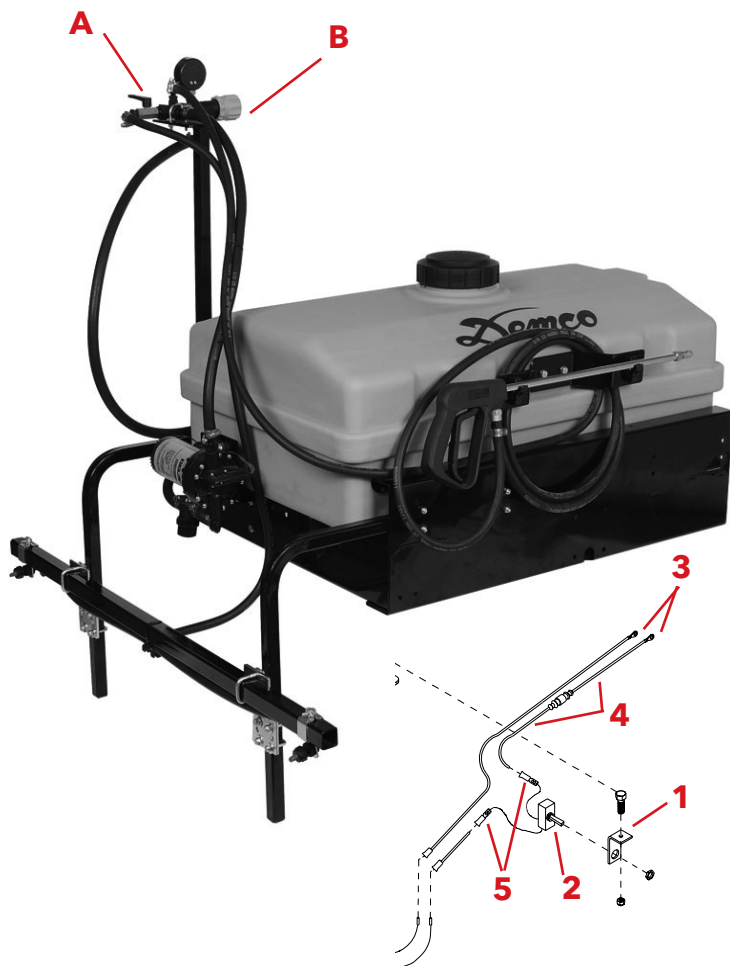
REF	PART NO	DESCRIPTION	QTY
1.	00036	5/16" Spring Lock Washer	10
2.	00059	3/8" Flatwasher	2
3.	120RB	1/2" I.D. Rubber Hose	-
4.	160GB	160 lb. Brass Pressure Gauge	1
5.	00214	1/4" Flatwasher	1
6.	340RB	3/4" I.D. Rubber Hose	-
7.	380RB	3/8" I.D. Rubber Hose	-
8.	00523	3/8"-16 UNC x 1-1/4" Hex Hd. Bolt	2
9.	1010RB	1" I.D. Rubber Hose	-
10.	01076	1/4"-20 UNC x 3/4" Hex Hd. Bolt	1
11.	1321 0012	Quick Coupler	1
12.	02592	3/8"-16 UNC Nylon Insert Locknut	2
13.	02772	1/4"-20 UNC Nylon Insert Locknut	19
14.	04298-30	Pump Mounting Bracket	1
15.	04299	Roller Pump Chain and Hook	1
16.	04305	5/16"-18 UNC x 1/2" Hex Hd. Bolt	2
17.	12434	Spray Gun, 18" Wand With #18 Tip	1
18.	23340PP	3/4" Pressure Relief Valve	1
19.	35638	60 Gallon Tank (Includes Lid)	1
-	35639	80 Gallon Tank (Includes Lid)	1
20.	A3438	3/4" MPT x 3/8" Hose Barb	1

REF	PART NO	DESCRIPTION	QTY
21.	A3838	3/8" MPT x 3/8" Hose Barb	1
22.	AA171	3 Section Valve	1
23.	B6PH	3/8" Hose Clamp Plastic	2
24.	B8PH	1/2" Hose Clamp Plastic	8
25.	B12PH	3/4" Hose Clamp Plastic	6
26.	B16H	1" Hose Clamp Stainless Steel	4
27.	BA3412	3/4" MPT x 1/2" Hose Barb	3
28.	BA3434	3/4" MPT x 3/4" Hose Barb	1
29.	BEL114 1	1-1/4" MPT x 1" Hose Barb Elbow	1
30.	BEL1212	1/2" MPT x 1/2" Hose Barb Elbow	1
31.	BEL3412	3/4" MPT x 1/2" Hose Barb Elbow	1
32.	BEL3434	3/4" MPT x 3/4" Hose Barb Elbow	3
33.	BM3400	3/4" MPT x 3/4" MPT	5
34.	BTT34	3/4" FPT Tee	2
35.	EL3410	3/4" MPT x 1" Hose Barb Elbow	1
36.	F3400	3/4" FPT Plug (GFP)	1
37.	RVF34 80	3/4" Line Strainer With 80 Mesh Screen	1
38.	T34F	3/4" FPT Tee x 3/4"	1
39.	UV075FP	3/4" Poly Ball Valve	3
40.	XL6500	Hypro Roller Cast Iron Pump w/o Coupler	1

Please order replacement parts by **PART NO. and DESCRIPTION**

START UP INSTRUCTIONS

ELECTRIC PUMP

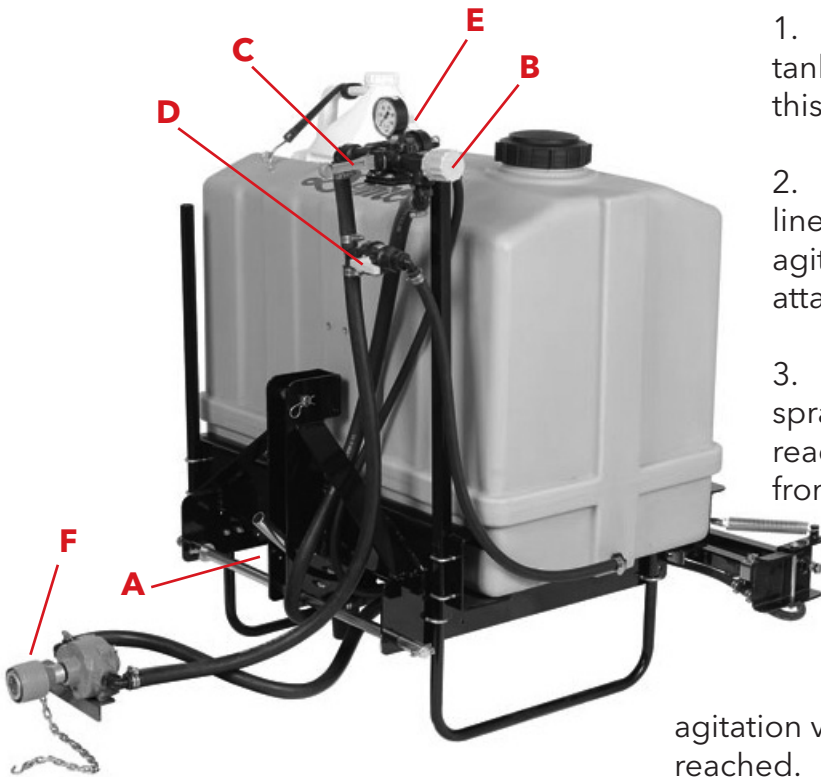


1. Begin by locating a good position to mount the switch bracket "1". Install switch "2" in bracket. Route wire harness "3" from sprayer pump to 12 volt battery (do not attach to battery at this time) splice red wire "4" at the switch and install spade ends "5". Attach spade end to switch and attach wires to battery.
2. Open tank lid and be sure tank is clean. Fill tank half full with water. Do not put chemical in at this time.
3. You may now start the sprayer. Let the sprayer run at low pressure until water has reached the handgun and all air has been purged from system.
4. Open boom valve "A" and water will begin spraying from boom nozzles. Adjust valve "B" to desired pressure. (Do not exceed 50 PSI)
5. Check system for leaks.
6. You are now ready to spray.

Start Up Instructions For Gas/Roller Pump

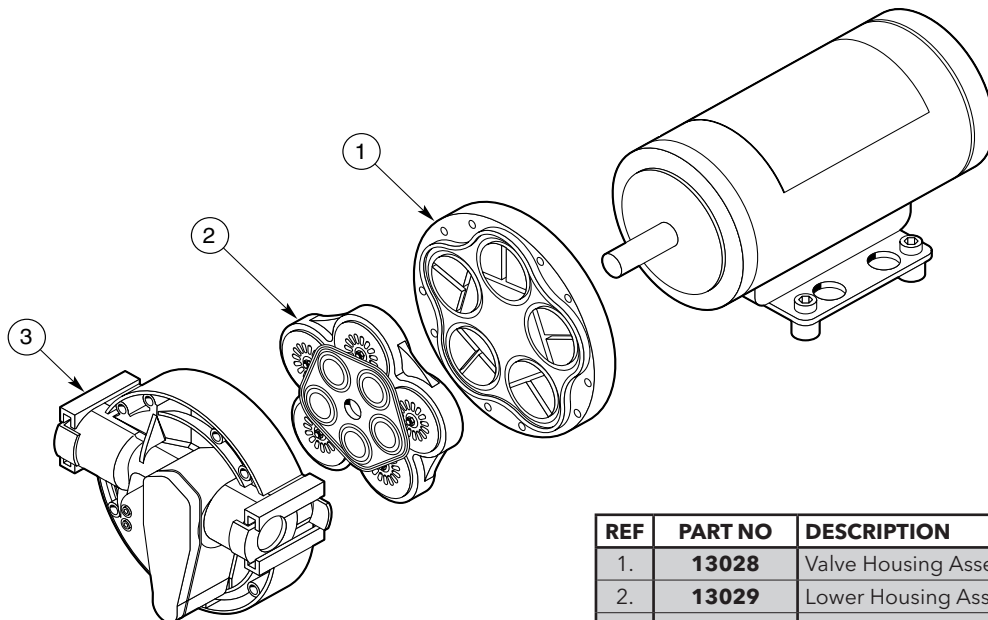
1. Open tank lid and be sure tank is clean. Fill tank half full with water. Do not put chemical in at this time. Check fluid levels on gas engine.
2. Open the ball valve "A" in the pump intake line. Open the boom valve "C" and open the agitation valve "D". Open handgun valve "E".
3. You may now start the sprayer. Let the sprayer run at low pressure until water has reached the handgun and all air has been purged from system.
4. Slowly adjust the pressure relief valve "B" until the desired spraying pressure is reached with the boom spraying. (Do not exceed 150 PSI) If adequate spraying pressure cannot be reached, slowly close the agitation valve "D" until the desired spraying pressure is reached.
5. Check system for leaks.
6. You are now ready to spray.





1. Open tank lid and be sure tank is clean. Fill tank half full with water. Do not put chemical in at this time.
2. Open the ball valve "A" in the pump intake line. Open the boom valve "C" and open the agitation valve "D". Open handgun valve "E" and attach pump "F" to PTO.
3. You may now start the sprayer. Let the sprayer run at low pressure until water has reached the handgun and all air has been purged from system.
4. Slowly adjust the pressure relief valve "B" until the desired spraying pressure is reached with the boom spraying. (Do not exceed 150 PSI) If adequate spraying pressure cannot be reached, slowly close the agitation valve "D" until the desired spraying pressure is reached.
5. Check system for leaks.
6. You are now ready to spray.

5 GPM ELECTRIC PUMP (12981) PARTS BREAKDOWN

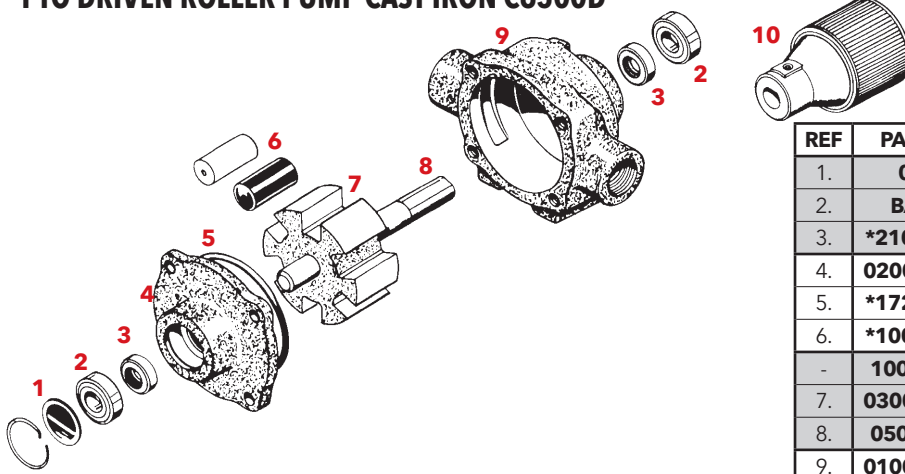


REF	PART NO	DESCRIPTION
1.	13028	Valve Housing Assembly
2.	13029	Lower Housing Assembly
3.	13030	Upper Housing Assembly

Please order replacement parts by PART NO. and DESCRIPTION.

PARTS BREAKDOWN

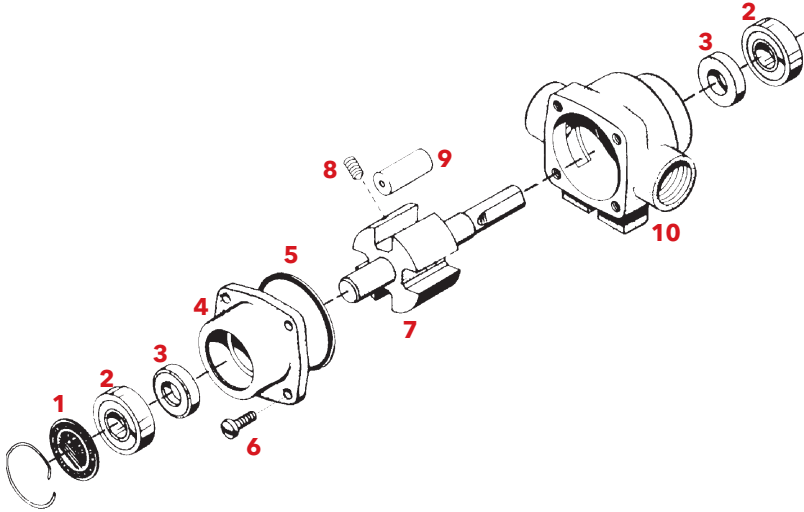
PTO DRIVEN ROLLER PUMP CAST IRON C6500D



REF	PART NO	DESCRIPTION	QTY
1.	0600	Name Plate (specify pump model no.)	1
2.	BAC37	Ball Bearing (sealed)	2
3.	*2107 0002	Viton Seal (standard)	2
4.	0200 6600C	End Plate (includes Seal #4)	1
5.	*1720 0008	O-ring for End Plate	1
6.	*1005 0004	Super Roller	6
-	1002 0004	Polypropylene Roller (optional)	6
7.	0300 6600C	Rotor with Shaft	1
8.	0500 6600	Shaft Only	1
9.	0100 6600C	Body (includes Seal #4)	1
10.	1321 0012	Quick Coupler Adapter-Multi Speed	1
-	3430 0380	Repair Kit: contains items marked (*)	-

Please order replacement parts by PART NO. and DESCRIPTION

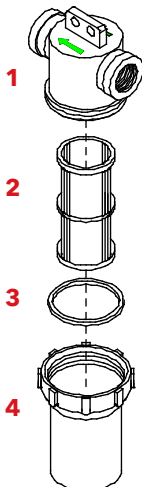
(C4101 & XL4101) ROLLER PUMP PARTS LIST



REF	PART NO	DESCRIPTION	QTY
1.	0600	Name Plate (specify pump model #.)	1
2.	BAC37	Sealed Ball Bearing	2
3.	*2107 0002	Viton Seal (standard)	2
4.	0200 4101C	End Plate (cast iron)w/standard seal	1
-	0200 4101X	End Plate (silver cast) w/standard seal	1
5.	*1720 0104	O-ring Gasket for End Plate	1
6.	2200 0009	End Plate Screw	4
7.	0300 4101C	Rotor (cast iron)and Shaft Assembly	1
-	0300 4101X	Rotor (silver cast) and Shaft Assembly	1
-	0500 6600	Shaft ONLY	1
8.	2230 0002	Rotor Set Screw	1
9.	1005 0004	Super Rollers (standard)	4
-	*1002 0002	Polypropylene Rollers (optional)	4
10.	0100 4101C	Body (cast iron) w/standard seal	1
-	0100 4101X	Body (silver cast) w/standard seal	1
-	3430 0158	Repair Kit: contains items Marked (*)	-

Please order replacement parts by PART NO. and DESCRIPTION

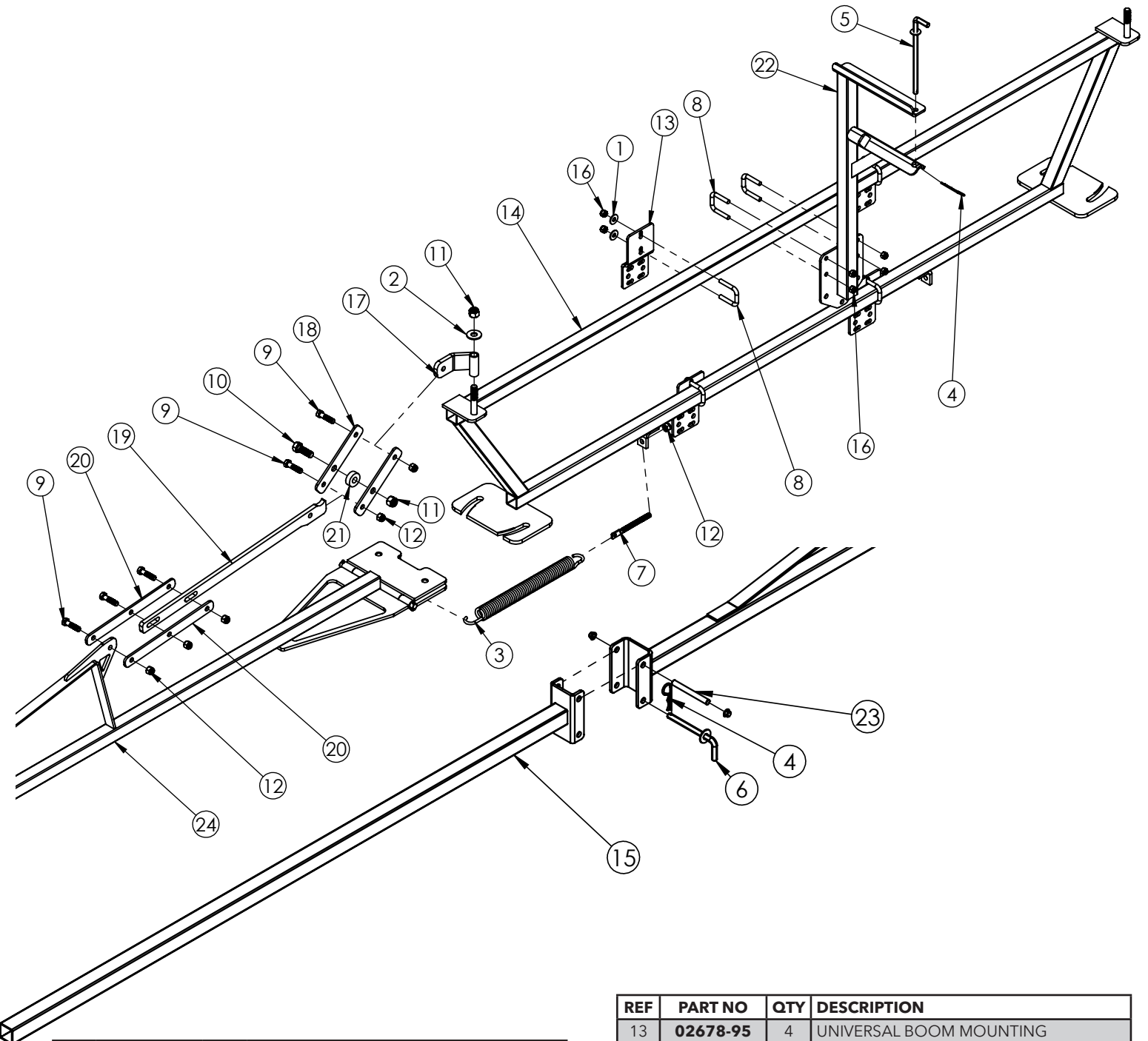
(RVF34-80) 3/4" STRAINER PARTS LIST



REF	PART NO	DESCRIPTION	QTY
1.	RVF34C	3/4" Strainer Cup	1
2.	RVF380	80 Mesh Screen Strainer	1
3.	RVF34GV	Viton O-Ring	1
4.	RVF34B	Strainer Bowl	1

TRUSS-T BOOM PARTS BREAKDOWN

21' AND 30' TRUSS-T BOOM

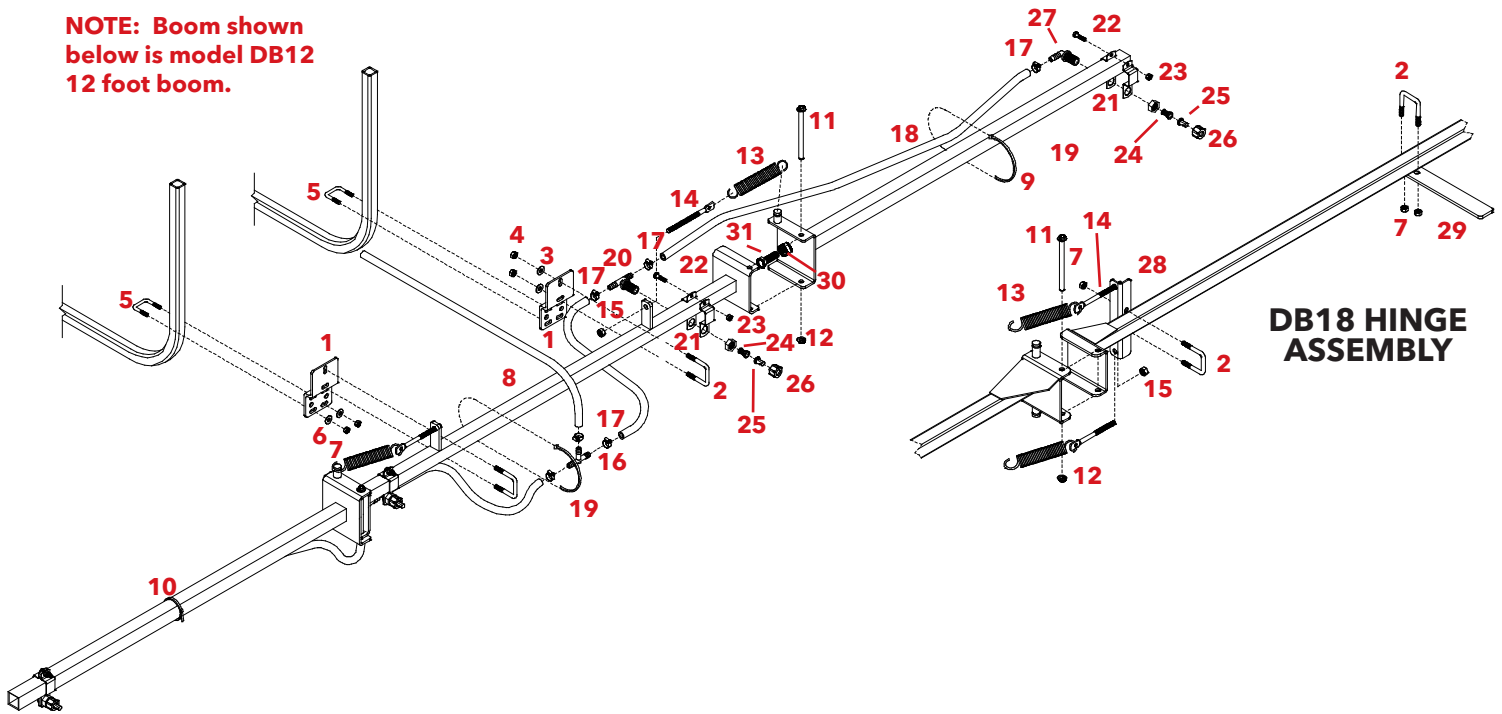


REF	PART NO	QTY	DESCRIPTION
1.	00004	8	WASHER, FLAT .313
2	00085	2	WASHER, FLAT .50
3	00180-76	2	EXTENSION SPRING
4	00182	3	HAIR PIN .120 WIRE X 2.375
5	00183-95	1	PIN 3/8 X 6.25
6	00199-95	2	SPRING HOOK PIN
7	00357	2	BOLT, TENSION, .375NC X 4.5
8	00909	6	U-BOLTS, SQ .313NC X 1
9	00914	10	BOLT, .375NC X 1.50 HEX HEAD GR.5
10	01254	2	BOLT, .50 NC X 1.50 HEX HEAD GR.5
11	02178	4	NUT, 050NC NYLON LOCK
12	02592	12	NUT .375NC NYLON LOCK

REF	PART NO	QTY	DESCRIPTION
13	02678-95	4	UNIVERSAL BOOM MOUNTING
14	02680-76	1	CENTER SECTION 21' & 30'
15	02751-76	2	BOOM WING EXTENSION (30' ONLY)
16	02802	12	NUT, .313 NC NYLON LOCK
17	17388-76	2	PIVOT ARM HD
18	17390-76	4	KNEED ACTION LINK
19	17391-76	2	LINKAGE ARM BAR
20	17392-76	4	LINKAGE ARM MOUNT
21	17393-76	2	WASHER STOP
22	17395-76	1	STORAGE BRACKET F/TRUSS-T BOOM
23	17406	2	PIN ASSEMBLY
24	17408-76	2	BOOM WING F/ 21' & 30' TRUSS-T
Please order replacement parts by PART NO. and DESCRIPTION			

12' AND 18' BOOM ASSEMBLY PARTS BREAKDOWN

NOTE: Boom shown below is model DB12 12 foot boom.



DB12 & DB18 PARTS LIST

REF	PART NO	QTY	DESCRIPTION
1.	02678-95	2	Boom Mounting Plate
2.	00909	2	U-BOLT SQ .313NC X 1-1/4" (ON DB12)
2.	00909	5	U-BOLT SQ .313NC X 1-1/4" (On DB18)
3.	00004	4	5/16" Flatwasher
4.	02802	4	5/16"-18 UNC Nylon Insert Locknut
5.	04822	4	1/4"-20 UNC x 1" Square U-bolt
6.	00214	8	1/4" Flatwasher
7.	02772	8	1/4"-20 UNC Nylon Insert Locknut
30.	00640	2	1/2"-13 UNC Jam Nut
31.	00967	2	1/2"-13 UNC x 1-1/4" Hex Head Bolt

NOTE: The mounting brackets (#1) and attaching hardware are used to mount the 18' Boom in the same manner.

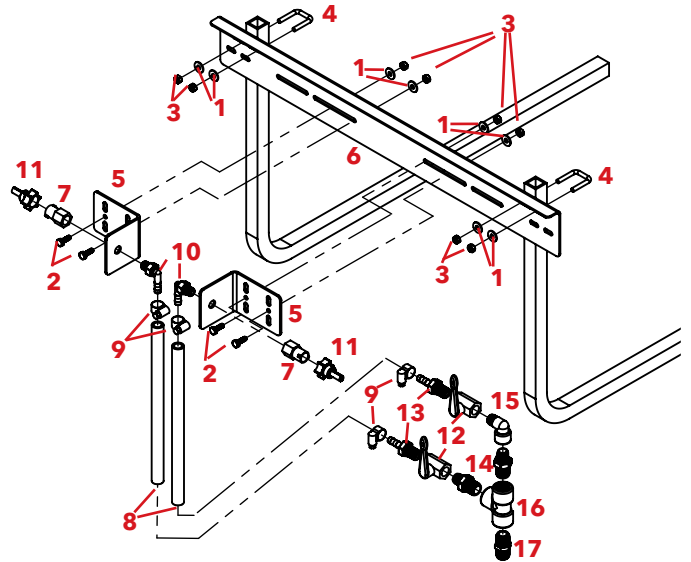
REF	PART NO	QTY	PART NO	QTY	DESCRIPTION
	DB12	1	DB18	1	12' & 18' Boom Assembly
8.	02636-76	1	03673-10	1	Center Boom Section
9.	02637-76	1	03675-10	1	Right Wing Section
10.	02638-76	1	03680-10	1	Left Wing Section
11.	00340-95	2	00340-95	2	Wing Hinge Pin (includes (2) 11137)
12.	11137	2	11137	2	3/8" Clinch Nut (incl'd in 00340-95)
13.	01564	2	01564	4	Spring
14.	00357	2	00357	4	3/8"-16 UNC x 4-1/2" Tension Bolt
15.	02592	2	02592	4	3/8"-16 UNC Nylon Insert Locknut
16.	T38	1	T38	1	3/8" Insert Tee
17.	B6PH	9	B6PH	12	3/8" Gear Clamp
18.	380RB	-	380RB	-	3/8" I.D. Rubber Hose
19.	NHT11	3	NHT11	5	Hose Tie
20.	NTT38	2	NTT38	4	3/8" Tee Nozzle Fitting w/nut
	B12	4	B12	6	Nozzle Nut
21.	B11 114	4	B11 114	6	1-1/4" Boom Clamp w/ Hardware
22.	00068	1	00068	1	1/4"-20 UNC x 3/4" Hex Hd. Bolt
23.	00062	1	00062	1	1/4"-20 UNC Nut
24.	4193APP50	4	4193APP50	6	5 PSI Ball Check Valve
25.	AN1.5	4	AN1.5	6	Flood Jet Spray Tip
26.	8027	4	8027	6	11/16" FPS Swivel Nut
27.	NTL38	2	NTL38	2	3/8" Elbow Spray Nozzle Fitting w/nut
28.	-	-	03674-10	2	Spring Anchor Angle (DB18 Only)
29.	-	-	03676-10	1	Boom Support Plate (DB18 Only)

BOOM X-TENDER PARTS BREAKDOWN

REF	PART NO	QTY	DESCRIPTION
1.	00214	8	1/4" Flatwasher
2.	01076	4	1/4" x 3/4" Hex Head Bolt
3.	02772	8	1/4"-20 UNC Nylon Insert Locknut
4.	04822	2	1/4"-20 UNC x 1" Square U-bolt
5.	12470-76	2	Boom X-Tender Mounts
6.	12471-76	1	Boom X-Tender Boom
7.	12472	2	1/4" FPT x 1/4 Turn Adapter
8.	380RB	-	3/8" I.D. Rubber Hose
9.	B6PH	3	3/8" Hose Clamp Plastic
10.	EL1438	2	1/4" MPT x 3/8" Hose Barb Elbow
11.	FC-XT010	2	Boom X-Tender Spray Tip
12.	03900	1	3/8" FPT x 3/8" FPT Valve (Electric)
-	6B1	1	Direct-O-Valve (Centrifugal & Roller)
13.	A3838	1	3/8" MPT x 3/8" Hose Barb (Electric)
-	A1238	1	1/2" MPT x 3/8" Hose Barb (Centrifugal & Roller)
14.	BM1238	1	1/2" MPT x 3/8" FPT (Electric)
15.	BSE38	1	3/8" FPT x 3/8" MPT Elbow (Electric)
16.	BTT12	1	1/2" FPT Tee (Electric)
17.	M1200	1	1/2" MPT x 1/2" MPT (Electric)
-	BM3400	1	3/4" MPT x 3/4" MPT (Centrifugal & Roller)
Please order replacement parts by PART NO. and DESCRIPTION			

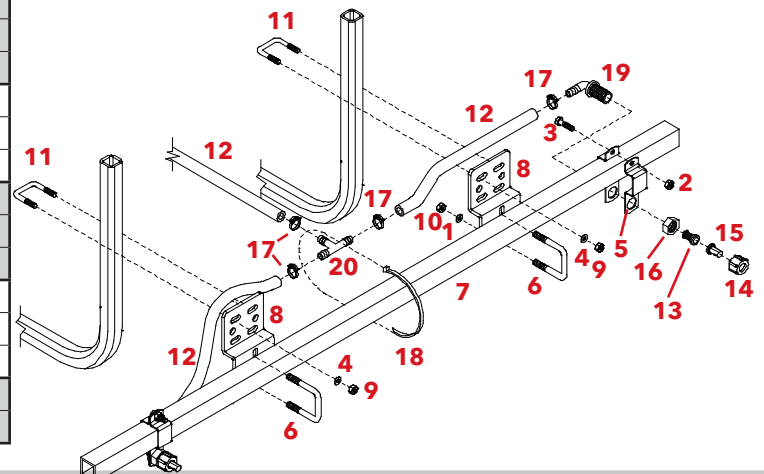
NOTE: Sprayers equipped with a roller or centrifugal pump, use 6B1 Direct-O-Valve in place of 03900 1/4 turn valves reference #12.

NOTE: Sprayers equipped with a boom solenoid valve, remove solenoid fitting and install fitting #17.



80" BOOM (80B25) PARTS BREAKDOWN

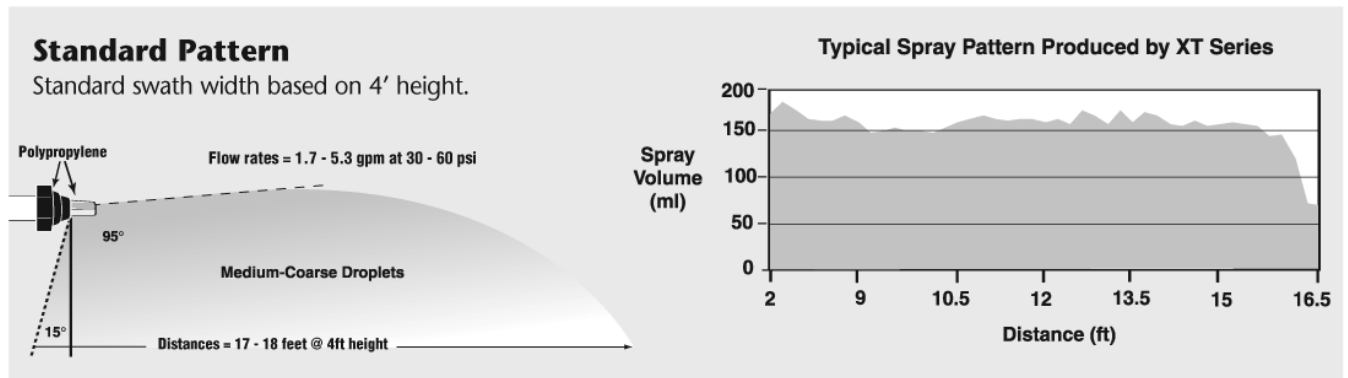
REF	PART NO	QTY	DESCRIPTION
1.	00004	4	5/16" Flatwasher
2.	00062	2	1/4"-20 UNC Hex Nut
3.	00068	2	1/4"-20 UNC x 3/4" Hex Bolt
4.	00059	8	3/8" Flatwashers
5.	B11 114	2	1-1/4" Boom Clamp w/ Hardware
6.	00909	2	5/16"-18 UNC x 1-1/4" Sq. U-bolt
7.	02253-76	1	Center Boom
8.	02678-95	2	Boom Mounting Plate
9.	02592	4	3/8"-16 UNC Nylon Insert Locknut
10.	02802	4	5/16"-18 UNC Nylon Insert Locknut
11.	04822	2	1/4"-20 UNC x 1" Square U-bolt
12.	380RB	-	3/8" I.D. Rubber Hose
13.	4193APP50	2	5 PSI Ball Check Strainer
14.	8027	2	11/16" FPS Swivel Nut
15.	AN1.5	2	Flood Jet Spray Tip
16.	B12	2	Nozzle Nut
17.	B6PH	6	3/8" Hose Clamp
18.	NHT11	1	Hose Tie
19.	NTL38	2	3/8" Elbow Spray Nozzle Fitting (w/nut)
20.	T38	1	3/8" Hose Barb Insert Tee



BOOM X-TENDER SPECIFICATIONS

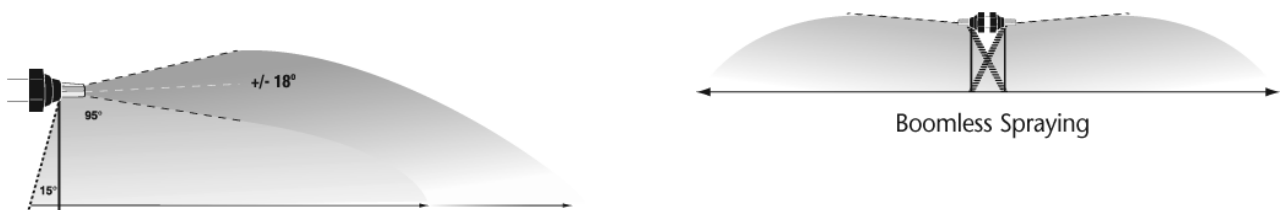
BROADCAST and TURF Applications			Application Rate (GPA)											US Gal/1000 sq.ft.				Swath Width (ft) @ 40 PSI
			Miles Per Hour											Miles Per Hour				
Model	PSI	US GPM	4	5	6	7	8	10	12	14	16	18	20	2	3	4	5	
XT010	30	0.9	7.0	5.6	4.6	4.0	3.5	2.8	2.3	2.0	1.7	1.5	1.4	0.32	0.21	0.16	0.13	16
	40	1.0	7.7	6.2	5.2	4.4	3.9	3.1	2.6	2.2	1.9	1.7	1.5	0.36	0.24	0.18	0.14	
	50	1.1	8.5	6.8	5.7	4.9	4.3	3.4	2.8	2.4	2.1	1.9	1.7	0.39	0.26	0.20	0.16	
	60	1.2	9.3	7.4	6.2	5.3	4.6	3.7	3.1	2.7	2.3	2.1	1.9	0.43	0.28	0.21	0.17	
FC-XT020	30	1.7	12.4	9.9	8.3	7.1	6.2	5.0	4.1	3.5	3.1	2.8	2.5	0.57	0.38	0.28	0.23	17
	40	2.0	14.6	11.6	9.7	8.3	7.3	5.8	4.9	4.2	3.6	3.2	2.9	0.67	0.45	0.33	0.27	
	50	2.2	16.0	12.8	10.7	9.2	8.0	6.4	5.3	4.6	4.0	3.6	3.2	0.74	0.49	0.37	0.29	
	60	2.4	17.5	14.0	11.6	10.0	8.7	7.0	5.8	5.0	4.4	3.9	3.5	0.80	0.53	0.40	0.32	
FC-XT024	30	2.1	14.4	11.6	9.6	8.3	7.2	5.8	4.8	4.1	3.6	3.2	2.9	0.66	0.44	0.33	0.27	18
	40	2.4	16.5	13.2	11.0	9.4	8.3	6.6	5.5	4.7	4.1	3.7	3.3	0.76	0.51	0.38	0.30	
	50	2.7	18.6	14.9	12.4	10.6	9.3	7.4	6.2	5.3	4.6	4.1	3.7	0.85	0.57	0.43	0.34	
	60	2.9	19.9	16.0	13.3	11.4	10.0	8.0	6.6	5.7	5.0	4.4	4.0	0.92	0.61	0.46	0.37	
FC-XT043	30	3.7	25	20	17.0	14.5	12.7	10.2	8.5	7.3	6.4	5.7	5.1	1.2	0.78	0.58	0.47	18
	40	4.3	30	24	19.7	16.9	14.8	11.8	9.9	8.4	7.4	6.6	5.9	1.4	0.90	0.68	0.54	
	50	4.8	33	26	22	18.9	16.5	13.2	11.0	9.4	8.3	7.3	6.6	1.5	1.0	0.76	0.61	
	60	5.3	36	29	24	21	18.2	14.6	12.1	10.4	9.1	8.1	7.3	1.7	1.1	0.84	0.67	

Note: Application rates are based on overall swath widths listed at 48" height. Refer to operating instructions if using a different swath.



Adjusting Swath Width

Swath width can be increased or decreased by adjusting the angle of the tip +/- 18°.



NOTE: To avoid wind drift, use lower pressure and higher spray volume.

Guidelines For Sprayer Calibration

Before calibrating your sprayer, first determine whether each nozzle is delivering at a uniform rate. Place quart jars under all nozzles and watch as they fill up. The level should rise uniformly and take the same time (within 10%) for all nozzles to fill the jars. Replace any nozzle showing a discharge rate different from the others.

Calibrating the Sprayer

1. Mark off 660 feet (1/8 mile).
2. Fill the tank with water.
3. Set the sprayer to your desired operating pressure.
4. Turn the sprayer on and drive at the constant speed you will be spraying. Calibration on a road or unplowed field will give different results than on soft cultivated ground. **Note** tachometer reading so same speed can be maintained later.
5. Measure the amount of water it takes to refill the tank completely.
6. Calculate the amount applied:

$$\frac{\text{Number of gallons used} \times 66 \text{ (factor)}}{\text{Spray Swath in Feet}} = \text{Gallons applied per acre}$$

Example: If 10 gallons are used in 660 feet and the spray swath is 28 feet, spraying rate is 23.57 gallons per acre.

$$\frac{10 \times 66}{28} = \frac{660}{28} \text{ or } 23.57 \text{ gallons per acre}$$

7. To calculate the amount of chemical to put in the tank:

$$\frac{\text{Sprayer Tank Size}}{\text{Desired GPA}} = \frac{\text{Acres covered}}{\text{then;}}$$

$$\text{Recom. amount of chemical per acre} \times \frac{\text{Acres covered}}{\text{then;}} = \text{Amt. of chemical per tankful}$$

Example: If a 300 gallon tank is used and 23.57 gallons per acre are applied, one tank will cover 12.72 acres. If three pounds of chemical are required per acre, then 38.1 pounds of chemical are required per tankful.

$$\frac{300}{23.57} = 12.72 \text{ acres covered then; } 3 \text{ lbs. (gal.)} \times 12.72 = 38.1 \text{ lbs. (gal.) per tankful}$$

To determine GPA at other nominal speeds.

Sprayer Speed	Multiply by Speed Factor
4 mph	1.25
5 mph	1.00
6 mph	.83
7.5 mph	.67
10 mph	.50

SPRAYER CALIBRATION PROCEDURES

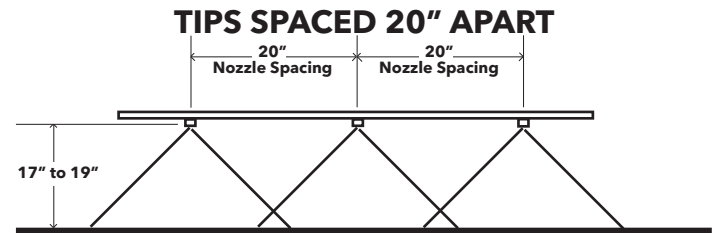
FLAT SPRAY NOZZLE FOR BROADCAST SPRAYING

Nozzle No.	Liquid Pressure In PSI.	Nozzle Capacity In GPM	Gallons Per Acre Based on 20" Nozzle Spacing			
			4 MPH	5 MPH	7.5 MPH	10 MPH
8001 or XR8001VS X	20	.07	5.3	4.3	2.8	2.2
	25	.08	5.9	4.7	3.1	2.4
	30	.09	6.4	5.1	3.4	2.6
	40	.10	7.4	6.0	4.0	3.0
80015 or XR80015VS X	20	.11	7.8	6.3	4.3	3.2
	25	.12	8.8	7.1	4.7	3.6
	30	.13	9.7	7.7	5.2	3.9
	40	.15	11.1	8.9	6.0	4.5
8002 or XR8002VS X	20	.14	10.5	8.4	5.6	4.2
	25	.16	11.8	9.4	6.3	4.7
	30	.17	12.9	10.3	6.9	5.2
	40	.20	14.8	11.8	7.9	5.9
8003 or XR8003VS X	20	.21	15.7	12.6	8.4	6.3
	25	.24	17.6	14.1	9.4	7.1
	30	.26	19.0	15.4	10.3	7.7
	40	.30	22.0	17.8	11.8	8.9
8004 or XR8004VS X	20	.28	21.0	16.8	11.2	8.4
	25	.32	24.0	18.7	12.5	9.4
	30	.35	26.0	21.0	13.7	10.3
	40	.40	30.0	24.0	15.8	11.9
8005 or XR8005VS X	20	.35	26.0	21.0	14.0	10.5
	25	.40	29.0	23.0	15.7	11.7
	30	.43	32.0	26.0	17.2	12.9
	40	.50	37.0	30.0	19.8	14.9
8006 or XR8006VS X	20	.42	31.0	25.0	16.9	12.6
	25	.47	35.0	28.0	18.7	14.1
	30	.52	39.0	31.0	21.0	15.5
	40	.60	45.0	36.0	24.0	17.8
8008 or XR8008VS X	20	.56	42.0	34.0	22.0	17.0
	25	.63	47.0	37.0	25.0	19.0
	30	.69	52.0	41.0	27.0	21.0
	40	.80	59.0	48.0	32.0	24.0
8010 or XR8010VS X	20	.70	53.0	42.0	28.0	21.0
	25	.78	59.0	47.0	31.0	24.0
	30	.86	64.0	51.0	34.0	26.0
	40	1.00	74.0	59.0	40.0	30.0

Tabulations for all the following charts are based on spraying water. For different weight fertilizer solutions, obtain the appropriate conversion factor from the table below.

Weight of Solution	Specific Gravity	Conversion Factors
7.0 lbs. per gallon	.84	1.09
8.0 lbs. per gallon	.96	1.02
8.34 lbs. per gallon-WATER	1.00	1.00
9.0 lbs. per gallon	1.08	.96
10.0 lbs. per gallon	1.20	.91
11.0 lbs. per gallon	1.32	.87
12.0 lbs. per gallon	1.44	.83
14.0 lbs. per gallon	1.68	.77
16.0 lbs. per gallon	1.92	.72
18.0 lbs. per gallon	2.16	.68
20.0 lbs. per gallon	2.40	.65

Imperial Gallon = 1.20 U.S.A. Gallons



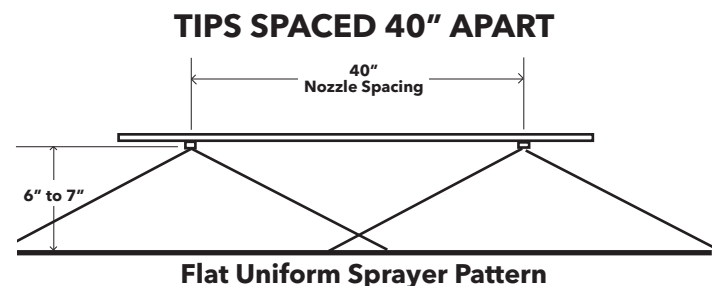
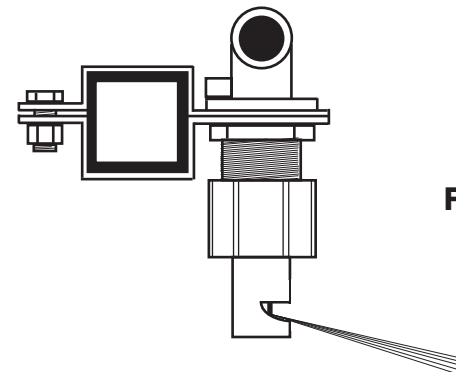
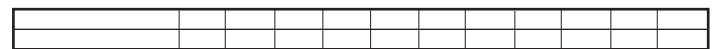
FLOODJET TIPS FOR BROADCAST SPRAYING

Nozzle No.	Orifice Dia.	Liquid Pressure In PSI.	Capacity In GPM.	Gallons Per Acre				
				4 MPH	5 MPH	6 MPH	8 MPH	10 MPH
TKV51 X	.033"	10	.10	3.7	3.0	2.5	1.9	1.5
		20	.14	5.3	4.3	3.5	2.6	2.1
		30	.17	6.4	5.1	4.2	3.2	2.6
		40	.20	7.4	6.0	4.9	3.7	3.0
TKV51.5 X	.041"	10	.15	5.6	4.5	3.7	2.7	2.0
		20	.21	7.8	6.3	5.2	3.9	2.9
		30	.26	9.7	7.7	6.5	4.8	3.5
		40	.30	11.1	8.9	7.4	5.6	4.1
TKV52 X	.046"	10	.20	7.4	6.0	4.9	3.7	3.0
		20	.28	10.5	8.4	6.9	5.2	4.2
		30	.35	12.9	10.3	8.7	6.5	5.2
		40	.40	14.8	11.8	9.9	7.5	5.9
TKV52.5 X	.052"	10	.25	9.3	7.4	6.1	4.6	3.7
		20	.35	12.9	10.3	8.7	6.5	5.2
		30	.43	15.9	12.8	10.6	8.0	6.4
		40	.50	18.6	14.9	12.4	9.3	7.4
TKV53 X	.057"	10	.30	11.1	8.9	7.5	5.6	4.5
		20	.42	15.7	12.6	10.4	7.8	6.3
		30	.52	19.3	15.4	12.8	9.7	7.7
		40	.60	22.0	17.8	14.8	11.2	8.9
TKV54 X	.065"	10	.40	14.9	11.9	9.9	7.5	5.9
		20	.57	21.0	16.8	13.9	10.5	8.4
		30	.69	26.0	21.0	17.1	12.8	10.3
		40	.80	30.0	24.0	19.8	14.8	11.9
TKV55 X	.073"	10	.50	18.6	14.9	12.4	9.3	7.4
		20	.71	27.0	21.0	17.6	13.1	10.7
		30	.87	33.0	26.0	21.7	16.1	13.1
		40	1.00	38.0	30.0	25.2	18.6	15.1
TKV57.5 X	.091"	10	.75	28.0	22.0	18.7	14.0	11.1
		20	1.10	39.0	32.0	26.4	19.8	15.8
		30	1.30	49.0	39.0	31.9	24.1	19.3
		40	1.50	56.0	45.0	37.4	27.5	22.0
TKV510 X	.104"	10	1.00	38.0	30.0	25.2	18.5	15.1
		20	1.40	53.0	41.7	35.2	26.4	21.0
		30	1.70	64.0	51.0	41.7	31.9	26.0
		40	2.00	75.0	60.0	49.4	37.4	30.0
TKSS15 X	.129"	10	1.50	56.0	45.0	37.4	27.5	22.0
		20	2.10	79.0	63.0	51.6	39.6	31.0
		30	2.60	97.0	77.0	64.8	48.3	39.0
		40	3.00	111.0	89.0	74.7	56.0	45.0
TKSS20 X	.148"	10	2.00	75.0	60.0	49.4	37.4	30.0
		20	2.80	104.0	83.0	69.2	52.7	42.0
		30	3.50	130.0	104.0	86.8	64.8	52.0
		40	4.00	149.0	119.0	100.0	74.7	59.0
TKSS30 X	.180"	10	3.00	111.0	89.0	74.7	56.0	45.0
		20	4.2	156.0	124.0	104.4	78.2	62.0
		30	5.10	189.0	151.0	126.4	95.6	76.0
		40	6.000	222.0	178.0	149.4	112.0	89.0

Floodjet tips are positioned as shown in the diagram by the chart below. When positioning the tip as shown in Figure A the tip can be operated closer to the ground, thereby reducing the chance of wind drift.

The chart below shows capacities in gallons per acre at various speeds and liquid pressures. Capacities are based on water at 70 degrees F. with nozzles spaced at 40 inches.

The rate chart is based on 40 inch row spacings. For other spacings of nozzles on the boom, multiply the tabulated GPA coverage by the conversion factors shown below.



SPRAYER CHECKLIST:

Downtime caused by field breakdowns is costly and time consuming. Many breakdowns can be eliminated by periodic equipment maintenance. By spending time reviewing this checklist before seasonal spraying application time and following proper after-season care, you can save time and money later.



WARNING: To Prevent Serious Injury Or Death

- Keep hands, feet, and loose clothing away from rotating parts.
- Wear protective clothing recommended by your chemical and fertilizer manufacturer when working with chemicals.

Check Before Going To The Field :

1. NOZZLES

Check tip for excessive wear by checking for grooves in or near tip opening. Check nozzle spacing by starting at center and working outwards. Check boom for proper height.

2. HOSES

Check all hoses for worn or soft spots. Be sure all hose clamps are tightened and hoses are not kinked or pinched. Check for leakage in any lines.

3. TANK

Remove and clean agitator orifices. Check orifices for excessive wear by checking for grooves in or near orifice opening. Inspect fitting and grommets to insure they are in good condition.

4. CONTROLS

Check for leakage, plugging, or wear on all valves, fittings, etc. Clean off any build up of foreign material.

5. PUMP

Check to be sure pump turns freely.

6. FRAME

Be sure all bolts are tightened.

7. REPLACEMENT PARTS

Replace all worn or damaged parts.

After Season Care:

NOTE: It is important to wear proper safety equipment when cleaning the sprayer. See your chemical or fertilizer package for this information.

1. After spraying chemicals, run water mixed with cleaners through tank, pump and all hose hookups. If wettable powder dries out in the system, it is very difficult to put back into suspension and can cause malfunction, damage or injury.
2. When cleaned, tank should have all openings closed or covered to keep dirt from entering.
3. Pump should be flushed with RV anti freeze and pump ports plugged to keep out moisture and air.
4. Disassemble tips and rinse with water or cleaning solution. (Appropriate for chemical sprayed).
5. Clean tip opening with a wooden toothpick. Never use wire or hard object that could distort opening.
6. Dispose of all unused chemicals or solutions in a proper and ecologically sound manner.
7. Water rinse and dry tips before storing.

NOTE: DEMCO does not and will not make any recommendations concerning application of various chemicals or solutions. These recommendations relate to either amount or procedure of materials applied. If you have any questions regarding application of certain chemicals or solutions, contact your chemical supplier and follow chemical manufacturer recommendations.

DEMCO

4010 320th St., Boyden, IA. 51234

Phone: (712) 725-2311

Fax: (712) 725-2380

Toll Free: 1-800-54DEMCO (1-800-543-3626)

**Demco warranty policies, operator manuals, and product registration
can be found online:**

www.demco-products.com

