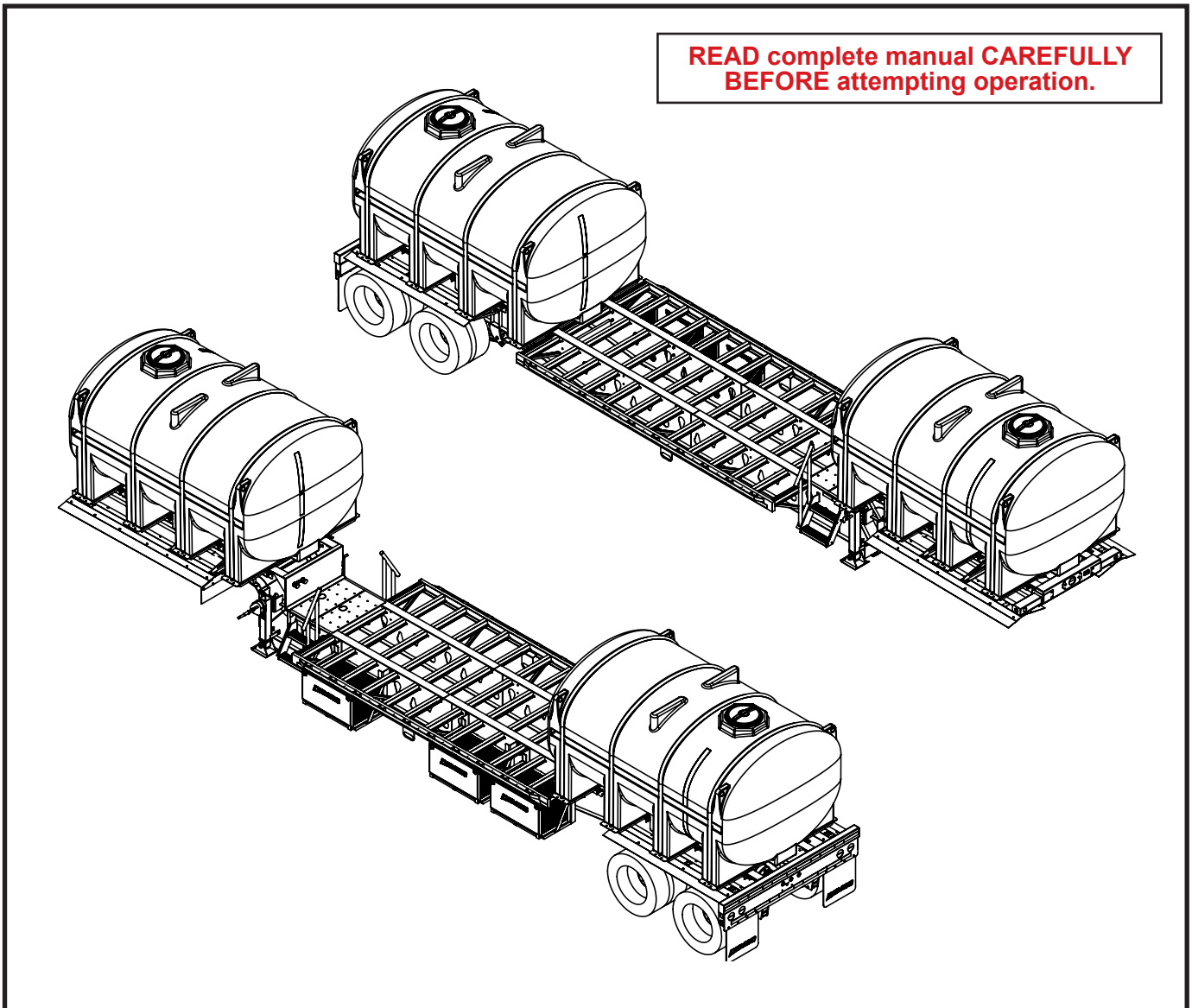


## LIQUID TENDER TRAILER



## Table of Contents

Introduction .....	2
General Information .....	2
Product Disclaimer .....	3
Trailer Information .....	4
Safety, Signal Words .....	5
Equipment Safety Guidelines .....	5
Safety Sign Locations .....	6
Safety Sign Care .....	6
Safety Sign Application .....	6
Load Distribution Safety .....	7
Tire and Lug Nut Safety .....	7
Bolt Torque Standards .....	8
Torque Requirements .....	9
Trailer Towing Guide .....	10
Trailer Towing Safety Guidelines .....	10
Operation Safety .....	11-12
Service and Maintenance Safety .....	12
Coupling the Trailer to Tow Vehicle .....	13-15
Uncoupling the Trailer from the Tow Vehicle .....	15-16
ABS System .....	16
Haldex ABS Guide .....	20-26
Landing Gear .....	27-37
Lubrication Guide .....	38-40
Spring Ride Suspension Information .....	41-51
CBX Air Suspension .....	52-82
Drum Brake Axles .....	83-113
Disc Brake Axles .....	114-137
Parts .....	138-156
Wiring .....	157
Truck & Trailer Power Kits .....	158
Flooring .....	159
Limited General Warranty .....	160
Warranty Registration (cutout) .....	163

## INTRODUCTION

At Demco we strive to design, produce and deliver the highest quality trailer on the market. Our employees have a strong background of knowledge and combined experience in manufacturing to put quality workmanship into our products.

In this manual you will find information covering all models of the Demco Liquid Tender Trailer line. Use the table of contents to locate specific areas of interest.

## GENERAL INFORMATION

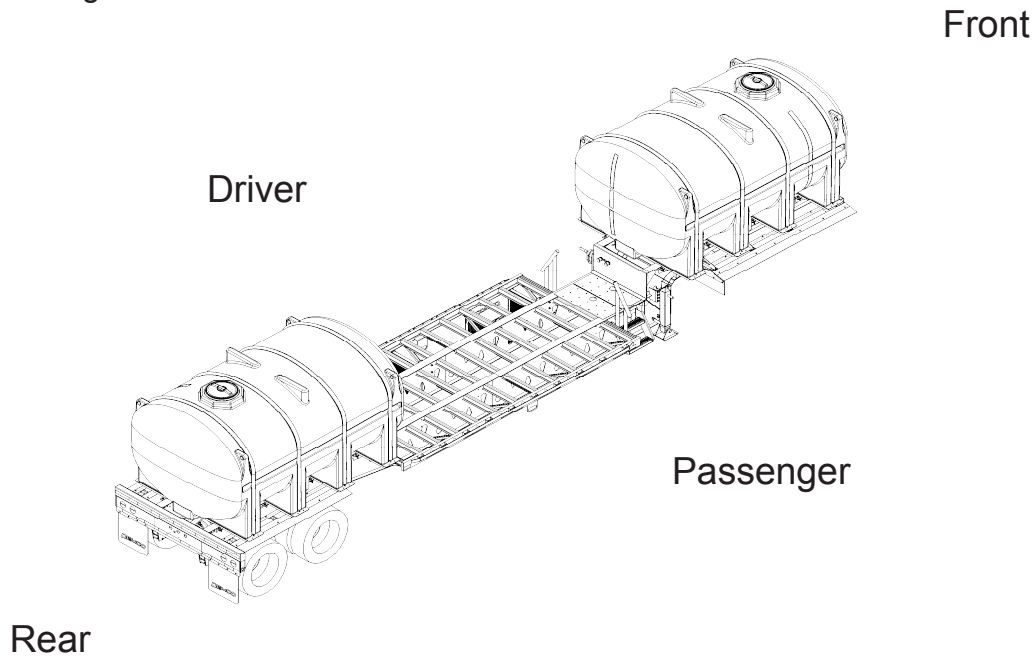
Demco requires that you and anyone else who will be operating and maintaining the trailer read and understand the guidelines in the manual for safe, efficient, and trouble free operations. Proper maintenance, adjustments and use will result in many years of service. Keep this manual handy for frequent reference and to pass on to new operators or owners. If assistance, information, or additional copies of the manual are needed, contact the nearest dealer, a distributor, or Demco.

## PLEASE NOTE:

All documents within the manual referring to products not manufactured by Demco have been printed with the permission of the manufacturer specified.

## PLEASE NOTE

All references to driver, passenger, front and rear of the trailer are determined from a position behind the trailer and facing forward.



### **PRODUCT DISCLAIMER**

In this document you will find information based on available knowledge at the time of its publication. To be accurate with the information, every effort was made but may not cover all details or variations of a trailer or provide every possibility in connection with its production, operation and maintenance. A Feature and Option may be presented in the manual that is not relevant to this trailer. Demco assumes no obligation of notice, to holders of this document, with changes made to a product.

**SPECIFICATIONS AND DESIGN ARE SUBJECT TO CHANGE WITHOUT NOTICE.**

Demco is often making improvements and developing new designs. In doing so, we reserve the right to make changes and/or improvements without obligation for equipment sold beforehand. Self-modification to our trailers may affect the operation, function, and safety, so this is not advised. If a replacement part is necessary, Demco should supply it, please contact your nearest dealer or Demco.

### DEMCO STATEMENT OF PRODUCT SAFETY

As a producer of agricultural and transportation equipment, Demco is fully aware of its responsibility of providing its customers products that perform their expected use, in a truly safe manner. Safety considerations shall be a fundamental and high precedence part of all engineering/design analysis and judgments involving Demco products. It is our stated policy that our products will be manufactured to coincide with the safety standards specified by the National Association of Trailer Manufacturers and/or any other officially recognized standards at the time manufactured. However, this statement should not be translated to mean that our product will uphold against a customer's own carelessness or disregard for common safety practices specified in each product's manual, nor will we be accountable for any such occurrence.

## TRAILER INFORMATION

**GAWR (Gross Axle Weight Rating):** The maximum gross weight that an axle can support. It is the lowest of axle, wheel, or tire rating. Usually the tire or wheel rating is lower than the axle rating and determines the GAWR. The GAWR is listed on the VIN plate.

**GVWR (Gross Vehicle Weight Rating):** The maximum allowable gross weight of the trailer and its contents. The gross weight of the trailer includes the weight of the trailer and all of the items with it. GVWR is sometimes referred to as GTWR (Gross Trailer Weight Rating) or MGTW (Maximum Gross Trailer Weight). GVWR, GTWR and MGTW are all the same rating.

The sum total of the GAWR for all trailer axles may be less than the GVWR for the trailer, because some of the trailer load is to be carried by the tow vehicle, rather than by the trailer axle(s). The total weight of the cargo and trailer must not exceed the GVWR, and the load on an axle must not exceed its GAWR. The GVWR is listed on the VIN Plate.

**VIN (Vehicle Identification Number):** Identifies the trailer in four sections. The first section of three characters identifies the manufacturer. The second section consists of five characters (VIN positions 4-8), these are the attributes of the vehicle. The third section is one character which is the check digit. The fourth section consists of eight characters (VIN positions 10-17). The first character represents the vehicle model year, the second character represents the plant of manufacture. The third through eighth characters are a sequential production number. The VIN Plate is located on the passenger side of the bulkhead at the front of the trailer.

**PSI (Pounds Per Square Inch):** The tire pressure measurement. The PSI is listed on the VIN Plate.

**Empty Weight:** Some information that comes with the trailer is not a reliable source for 'empty' weight. The shipping documents list average or standard weights and your trailer may be equipped with options. To determine the 'empty' or weight of your trailer, have trailer weighed at a commercial scale.

**Kingpin:** The coupler on the front of the trailer that connects to the fifth wheel plate of the tow vehicle.

**Fifth Wheel Plate:** A device on the tow vehicle that pulls and supports the weight of the trailer.

**Trailer Lighting and Braking Connectors:** A device that connects electrical power from the tow vehicle to the trailer. If your trailer has electric brakes, the connector will also supply power to the brakes from the tow vehicle.

**Landing Gear:** A device on the trailer that is often referred to as the 'jack', used to raise and lower the trailer and for storage of the trailer. To operate the landing gear, pull the crank shaft outward for high gear and push in for low gear speed. Demco uses the Holland - Model Atlas 55 as standard equipment.

**Registration Holder:** Located on the driver side, under the front deck. Use this to keep the registration with the trailer at all times. The registration holder is often referred to as the "manifest" holder.

## SAFETY

**TAKE NOTE! THIS SAFETY ALERT SYMBOL FOUND THROUGHOUT THIS MANUAL IS USED TO CALL YOUR ATTENTION TO INSTRUCTIONS INVOLVING YOUR PERSONAL SAFETY AND SAFETY OF OTHERS. FAILURE TO FOLLOW THESE INSTRUCTIONS CAN RESULT IN INJURY OR DEATH!**



**THIS SYMBOL MEANS:  
ATTENTION!  
BECOME ALERT!  
YOUR SAFETY IS INVOLVED!**

### SIGNAL WORDS

Note use of following signal words **DANGER**, **WARNING**, and **CAUTION** with safety messages. The appropriate signal word for each has been selected using the following guidelines:

**DANGER:** Indicates an imminently hazardous situation that, if not avoided, will result in death or serious injury. This signal word is to be limited to most extreme situations typically for machine components which, for functional purposes, cannot be guarded.

**WARNING:** Indicates a potentially hazardous situation that, if not avoided, could result in death or serious injury, and includes hazards that are exposed when guards are removed. It may also be used to alert against unsafe practices.

**CAUTION:** Indicates a potentially hazardous situation that, if not avoided, may result in minor or moderate injury. It may also be used to alert against unsafe practices.



### EQUIPMENT SAFETY GUIDELINES

Every year many accidents occur which could have been avoided by a few seconds of thought and a more careful approach to handling equipment. You, the operator, can avoid many accidents by observing the following precautions in this section. To avoid personal injury, study the following precautions and insist those working with you, or you yourself, follow them.

Operator should be a responsible adult. **DO NOT ALLOW PERSONS TO OPERATE THIS UNIT UNTIL THEY HAVE DEVELOPED A THOROUGH UNDERSTANDING OF SAFETY PRECAUTIONS AND HOW IT WORKS.**

**DO NOT** modify the trailer in anyway. Doing so may impair the function and/or safety and could affect the life of the trailer.

Never exceed the maximum capacity of the trailer. By doing so you risk damage to your Demco trailer. If it's ability to do a job, or to do so safely is in question **DON'T TRY IT.**

Review safety instructions with all users annually.

Replace any caution, warning, danger or instruction safety decal that is not readable or is missing. Location of such decals is indicated in this booklet.

Do not paint over, remove, or deface any safety signs or warning decals on your equipment. Observe all safety signs and practice instructions on them.



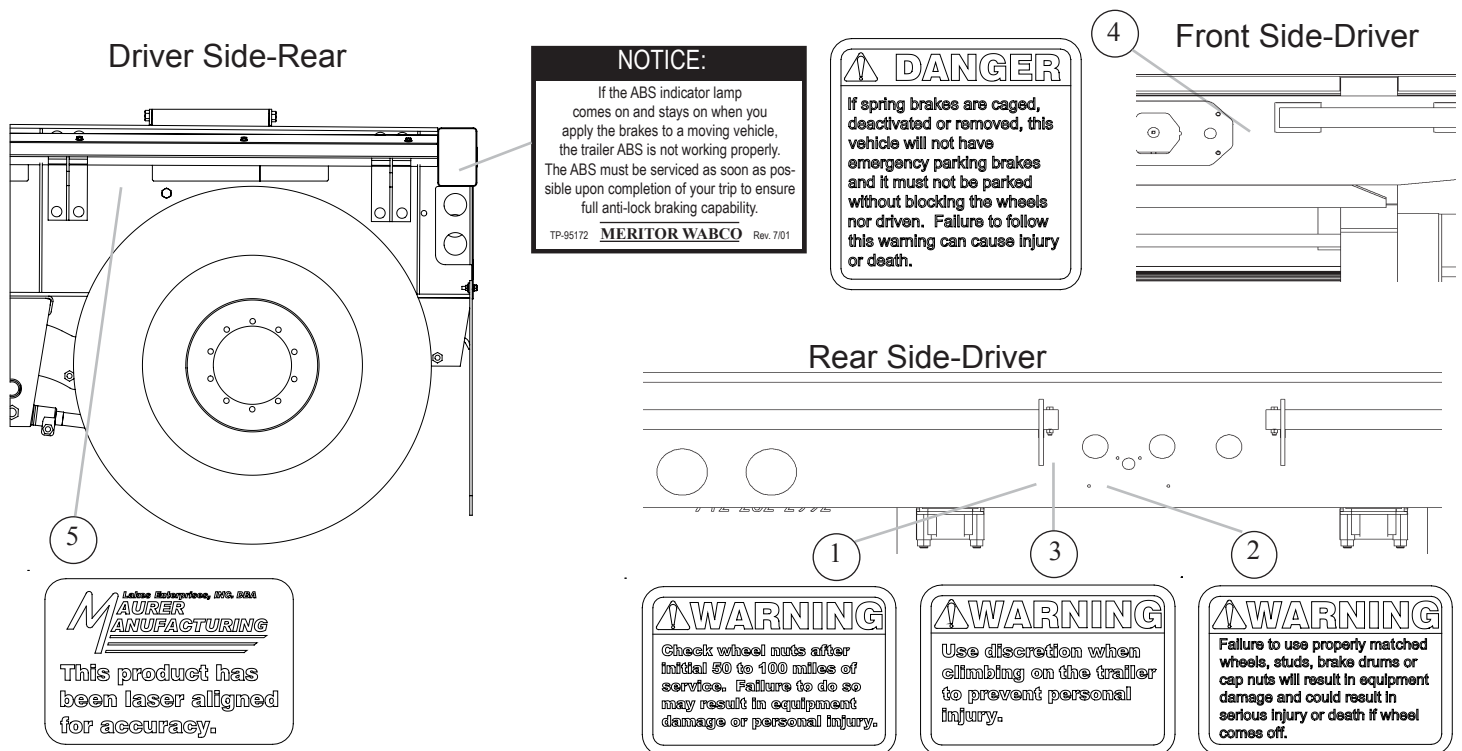
## SAFETY SIGN LOCATIONS

Types of safety sign and locations on equipment are shown in illustration below. Good safety requires that you familiarize yourself with various safety signs, type of warning, and area or particular function related to that area, that requires your SAFETY AWARENESS.



## SAFETY SIGN CARE

- ◆ Keep safety signs clean and legible at all times.
- ◆ Replace safety signs that are missing or have become illegible.
- ◆ Replacement parts that display a safety sign should also display current sign.
- ◆ Safety signs are available from Demco Spencer Plant.



## HOW TO APPLY SAFETY DECALS

1. Be sure that the installation area is clean and dry.
2. Be sure temperature is above 50°F(10°C).
3. Decide on exact position before removing the backing paper.
4. Remove smallest portion of split backing paper.
5. Align decal over specified area and carefully press the small portion with the exposed sticky backing in place.
6. Slowly peel back remaining paper and carefully smooth remaining portions of decal into place.
7. Small air pockets can be pierced with a pin and smoothed out using a piece of decal backing paper.

REF. NO.	PART NO.	QTY.	DESCRIPTION
1.	1AQAJ000000	1	Check Wheel Nuts
2.	1AQAR000000	1	Failure to Use Properly Matched Wheels
3.	1AQAH000000	1	Use Discretion When Climbing
4.	1AQAK000000	1	If Spring Brakes Are Caged
5.	1AQAY000000	1	Product Has Been Laser Aligned
6.	1AQLT061000	2	Liquid Tender Warning



## LOAD DISTRIBUTION SAFETY

The total weight of the load you put on the trailer, plus the empty weight of the trailer itself, must not exceed the trailer's Gross Vehicle Weight Rating (GVWR). You must distribute the load on the trailer such that the load on any tire or axle does not exceed the tire load rating or the Gross Axle Weight Rating (GAWR). If you do not know the weight of your trailer you must weigh it at a commercial scale. See your VIN Plate for proper ratings. Not following these guidelines could cause serious injury or even death.



## TIRE AND LUG NUT SAFETY

It is essential to inspect the trailer tires and wheels before each tow. Trailer tires are more likely to fail compared to car tires due to the heavier load the trailer carries. Please follow the list of guidelines and/or possibilities below that could cause serious injury or even death.

- ◆ Replace the tire before towing if the tire has a bald spot, cut, bulge, is showing any cords, or is cracked.
- ◆ If uneven tread is noticed, take the trailer to a dealer service center for an inspection. Tire imbalance, axle misalignment, or incorrect inflation could cause the uneven tread.
- ◆ Too little of tread will not be adequate enough for traction and can cause loss of control on wet highways.
- ◆ Tire pressure that is improper causes an unstable trailer and could blowout the tire causing loss of control.
- ◆ Check the tire pressure before towing, while the tire is cold. For the recommended PSI, see the VIN Plate or the side wall of the tire.
- ◆ Always order and install tires and wheels with appropriate type and load capacity to meet or exceed gross weight of unit.

The inspection of the tire and wheel lug nuts is necessary since they are prone to loosen after first being assembled. Please follow the list of guidelines and/or possibilities below that could cause serious injury or even death.

- ◆ When towing a new trailer, check the lug nuts after the first 50 to 100 miles of driving.
- ◆ Metal creep between the wheel and the lug nuts will cause wheel to loosen and could come off. Check to make sure the lug nuts are tight before each tow.
- ◆ Improper torque could cause the wheel to separate from trailer. A torque wrench should be used to tighten the lugs nuts. If one is not available use a lug wrench then take to a trailer dealer or service garage to tighten them to the required torque.

# BOLT TORQUE

## TORQUE DATA FOR STANDARD NUTS, BOLTS, AND CAPSCREWS.

Tighten all bolts to torques specified in chart unless otherwise noted. Check tightness of bolts periodically, using bolt chart as guide. Replace hardware with same grade bolt.

NOTE: Unless otherwise specified, high-strength Grade 5 hex bolts are used throughout assembly of equipment.

### Bolt Torque for Standard bolts \*



### Torque Specifications

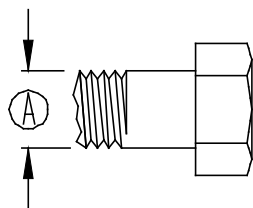
"A"	GRADE 2		GRADE 5		GRADE 8	
	lb-ft	(N.m)	lb-ft	(N.m)	lb-ft	(N.m)
1/4"	6	(8)	9	(12)	12	(16)
5/16"	10	(13)	18	(25)	25	(35)
3/8"	20	(27)	30	(40)	45	(60)
7/16"	30	(40)	50	(70)	80	(110)
1/2"	45	(60)	75	(100)	115	(155)
9/16"	70	(95)	115	(155)	165	(220)
5/8"	95	(130)	150	(200)	225	(300)
3/4"	165	(225)	290	(390)	400	(540)
7/8"	170	(230)	420	(570)	650	(880)
1"	225	(300)	630	(850)	970	(1310)

### Bolt Torque for Metric bolts \*

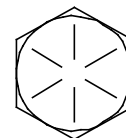
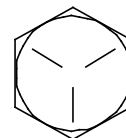
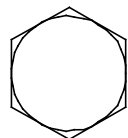
"A"	CLASS 8.8		CLASS 9.8		CLASS 10.9	
	lb-ft	(N.m)	lb-ft	(N.m)	lb-ft	(N.m)
6	9	(13)	10	(14)	13	(17)
7	15	(21)	18	(24)	21	(29)
8	23	(31)	25	(34)	31	(42)
10	45	(61)	50	(68)	61	(83)
12	78	(106)	88	(118)	106	(144)
14	125	(169)	140	(189)	170	(230)
16	194	(263)	216	(293)	263	(357)
18	268	(363)	--	--	364	(493)
20	378	(513)	--	--	515	(689)
22	516	(699)	--	--	702	(952)
24	654	(886)	--	--	890	(1206)

Torque figures indicated are valid for non-greased or non-oiled threads and heads unless otherwise specified. Therefore, do not grease or oil bolts or capscrews unless otherwise specified in this manual. When using locking elements, increase torque values by 5%.

\* GRADE or CLASS value for bolts and capscrews are identified by their head markings.



GRADE-2      GRADE-5      GRADE-8



CLASS 8.8      CLASS 9.8      CLASS 10.9





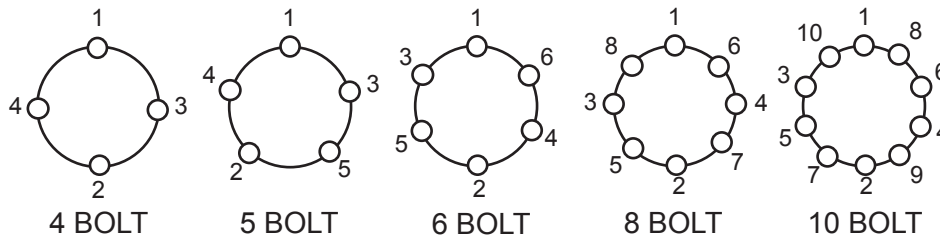
## TORQUE REQUIREMENTS

It is extremely important to apply and maintain proper wheel mounting torque on your trailer axle. Torque is a measure of the amount of tightening applied to a fastener (nut or bolt) and is expressed as length times force. For example, a force of 90 pounds applied at the end of a wrench one foot long will yield 90 lbs-ft of torque. Torque wrenches are the best method to assure the proper amount of torque is being applied to a fastener.

**Note:** Wheel nuts or bolts must be applied and maintained at the proper torque levels to prevent loose wheels, broken studs, and possible dangerous separation of wheel from your axle.

Be sure to use only the fasteners matched to the cone angle of your wheel (usually 60 degrees or 90 degrees). The proper procedure for attaching your wheels is as follows:

1. Start all bolts or nuts by hand to prevent cross threading.
2. Tighten bolts or nuts in the following sequence.
3. The tightening of the fasteners should be done in stages. Following the recommended sequence, tighten fasteners per wheel torque requirements diagram:



4. Wheel nuts or bolts should be torqued before first road use and after each wheel removal. Check and re-torque after the first 50 miles and again at 100 miles. Check periodically thereafter.

## WHEEL AND RIM TORQUE REQUIREMENTS

Description	Application	Minimum Torque (lbs-ft)	Maximum Torque (lbs-ft)
1/2" Cone Nut	12" – 13" Wheel	50	65
	14" – 15" Wheel	90	120
5/8" Cone Nut	Flat Disc Wheel	175	225
3/4" Hex Nut	Demountable		
	Ring Clamp	210	260
3/4" Spherical Nut	Single Wheel	450	500
	Inner Dual	450	500
1-1/2" Spherical Nut	Outer Dual	450	500
5/8" Flange Nut	Wheels	275	325



## TRAILER TOWING GUIDE

Driving a vehicle while towing a trailer is completely different from driving the same vehicle without a trailer. Acceleration, manipulation and braking are all reduced. It takes longer to get up to speed; you need more room to turn and pass, and more distance to stop. You will need to spend time adjusting to the different feel and maneuverability of the vehicle with a loaded trailer. Because of the considerable differences in all aspects of manipulation when towing a trailer, the dangers and risks of injury are also much greater than when driving without a trailer. You are responsible for keeping your vehicle and trailer in control, and for all the damage that is caused if you lose control of your vehicle and trailer.

Before you start towing the trailer, you must follow all of the instructions for inspection, testing, loading and coupling. Also, before you start towing, adjust the mirrors so you can see the trailer as well as the area to the rear of it.

Drive slowly at first, 5 m.p.h. or so, and turn the wheel to get the feel of how the vehicle and trailer combination responds. Next, make some right and left hand turns. Watch in your side mirrors to see how the trailer follows the vehicle. Turning with a trailer attached requires more room. Stop a few times from speeds no greater than 10 m.p.h. Try using different combinations of trailer/air brakes and vehicle brakes. Note the effect that the trailer brakes have when they are the only brakes used.



## TRAILER TOWING SAFETY GUIDELINES

- ◆ Before towing, check coupling, trailer brakes, tires, wheels and lights.
- ◆ Check the lug nuts and bolts for proper tightness.
- ◆ Check coupler tightness after towing 50 miles.
- ◆ Use your mirrors to verify that you have room to change lanes or pull into traffic.
- ◆ Use your turn signals well in advance.
- ◆ Allow plenty of stopping distance for your trailer and vehicle.
- ◆ Do not drive so fast that the trailer begins to sway due to speed.
- ◆ Allow plenty of room for passing. A rule of thumb is that the passing distance with a trailer is four times the passing distance without a trailer.
- ◆ Shift your automatic transmission into a lower gear for city driving.
- ◆ Use lower gears for climbing and descending grades.
- ◆ Do not ride the brakes while descending grades; they may get so hot that they stop working. Then you will potentially have a runaway vehicle and trailer.
- ◆ To conserve fuel, don't use full throttle to climb a hill. Instead, build speed on the approach.
- ◆ Slow down for bumps in the road. Take your foot off the brake when crossing the bump.
- ◆ Do not brake while in a curve unless absolutely necessary. Instead, slow down before you enter the curve and power through the curve. This way, the towing vehicle remains "in control."
- ◆ Do not apply the brakes to correct extreme trailer swaying. Continued pulling of the trailer, and even slight acceleration, will provide a stabilizing force.



## OPERATION SAFETY

- ◆ Carefully study and understand the Owner's Manual and all safety decals before operating, servicing, adjusting or repairing.
- ◆ It is the owner/operators responsibility to read the manual and instruct other operators to read the manual before operating.
- ◆ Recheck the load tie downs to make sure the load will not shift during towing.
- ◆ Before towing, check kingpin, trailer brakes, tires, wheels and lights.
- ◆ Always follow state and local regulations regarding straps, chains and auxiliary lighting when towing.
- ◆ Check the lug nuts and bolts for proper tightness.
- ◆ Keep wheels and lug nuts tightened to specific torque.
- ◆ Secure wheels when trailer is not being used.
- ◆ Assure tires are inflated evenly.
- ◆ Make sure the brakes are evenly adjusted.
- ◆ Visually inspect trailer for any loose bolts, worn parts, or cracked welds, and make necessary repairs. (Follow maintenance safety instructions included in this manual.)
- ◆ Securely attach to towing vehicle.
- ◆ Make sure that tow rating on vehicle is high enough for what is being towed.
- ◆ Check coupler tightness after towing 50 miles.
- ◆ Clean reflectors and lights and check to make sure that they are working.
- ◆ Use your mirrors to verify that you have room to change lanes or pull into traffic.
- ◆ Use your turn signals well in advance.
- ◆ Allow plenty of stopping distance for your trailer and vehicle.
- ◆ Do not drive so fast that the trailer begins to sway due to speed.
- ◆ Allow plenty of room for passing. A rule of thumb is that the passing distance with a trailer is four times the passing distance without a trailer.
- ◆ Always drive at a safe speed and ensure that you are driving slow enough to make an emergency stop if necessary.
- ◆ No passengers allowed – Do not carry passengers anywhere on the trailer.
- ◆ Beware of bystanders, particularly children, always look around and make sure it is safe to start engine of towing vehicle or move the trailer. This is particularly important with higher noise levels, as you may not hear people shouting.
- ◆ When halting operations, even periodically, set towing vehicles parking brake, shut off engine, and remove the ignition key, to prevent unauthorized operation.
- ◆ Be sure there are no tools lying on the deck of the trailer.
- ◆ Keep hands, feet, hair and clothing away from all moving and/or rotating parts.
- ◆ A safe working environment is provided for the operator and bystanders just by following the recommended procedures throughout this manual.
- ◆ Be extra careful on inclines.
- ◆ Use lower gears for climbing and descending grades.
- ◆ Do not ride the brakes while descending grades; they may get so hot that they stop working. Then you will potentially have a runaway vehicle and trailer.
- ◆ To conserve fuel, don't use full throttle to climb a hill. Instead, build speed on the approach.
- ◆ Do not brake while in a curve unless absolutely necessary. Instead, slow down before you enter the curve and power through the curve. This way, the towing vehicle remains "in charge."
- ◆ Do not apply the brakes to correct extreme trailer swaying. Continued pulling of the trailer, and even slight acceleration, will provide a stabilizing force.



## OPERATION SAFETY (continued)

- ◆ Slow down for bumps in the road. Take your foot off the brake when crossing the bump.
- ◆ Shift your automatic transmission into a lower gear for city driving.
- ◆ In addition to the design and configuration of a trailer, hazard control and accident prevention are dependent upon the knowledge, concern, and common sense of personnel involved in the operation, transportation, maintenance and storage of the trailer.
- ◆ Practice the operations and functions of your trailer. Don't hurry the learning process or take it for granted.
- ◆ Untrained operators are not qualified to operate the trailer.
- ◆ If the operation safety is followed, along with a good maintenance program your trailer will provide you with years of trouble-free service.
- ◆ With ideal road conditions follow the posted speed limit but do not exceed 60 m.p.h..



## SERVICE AND MAINTENANCE SAFETY

Carefully read this section on trailer service and maintenance safety. Good maintenance is your responsibility. Performing maintenance according to the schedule will prolong the performance and life of you trailer and ensure the safety and liability of the operation. If you cannot perform the required maintenance talk to your dealer about having them done. Also check the relevant component manufacturer's manual if available.

- ◆ Make sure there is plenty of ventilation. Never operate engine of towing vehicle in a closed building. Exhaust fumes may cause asphyxiation.
- ◆ Always block wheels and never use a jack as sole support.
- ◆ Always use proper tools or equipment for job at hand.
- ◆ Use extreme caution when making adjustments.
- ◆ Follow torque chart in this manual when tightening bolts and nuts.
- ◆ Openings in skin and minor cuts are susceptible to infection from brake fluid.
- ◆ After servicing, be sure all tools, parts and equipment are removed.
- ◆ Do not allow grease or oil to build up on any step or platform.
- ◆ When replacing bolts, use the same size and grade.
- ◆ Refer to bolt torque chart for head identification marking.
- ◆ When replacement parts are necessary for periodic service and maintenance, genuine factory replacement parts must be used to restore you trailer. **Manufacturer will not claim responsibility for use of unapproved parts and/or accessories or other damages.**
- ◆ If the trailer has been altered in any way from original design, any liability for injury or warranty will not be accepted by Demco.
- ◆ A fire extinguisher and first aid kit should be kept accessible while performing any service and maintenance on the trailer.



## **COUPLING THE TRAILER TO TOW VEHICLE**

- ◆ **Inspect Fifth Wheel**
  1. Check for damage/missing parts.
  2. Check to see that mounting to tractor is secure, no cracks in frame.
  3. Be sure that the fifth wheel plate is greased as required. Failure to keep the fifth wheel plate lubricated could cause steering problems due to friction between the tractor and trailer.
  4. Check if fifth wheel is in proper position for coupling. Wheel tilted down towards rear of tractor, jaws open, safety unlocking handle in automatic lock position.
  5. If you have a sliding fifth wheel, make sure it is locked.
  6. Make sure the trailer kingpin is not bent or broken.
  
- ◆ **Inspect Area**
  1. Make sure area around vehicle is clear.
  2. Be sure trailer spring brakes are on.
  3. Check that cargo is secured against movement due to tractor being coupled to the trailer.
  
- ◆ **Position Tractor**
  1. Put the tractor directly in front of the trailer. Never back under the trailer at an angle, you could push the trailer sideways and damage the landing gear.
  2. Check position using outside mirrors and looking down both sides of the trailer.
  
- ◆ **Back Slowly**
  1. Back up until the fifth wheel is just touching the trailer. Don't hit the trailer.
  
- ◆ **Secure Tractor**
  1. Put parking brake on and transmission in neutral.
  
- ◆ **Check Trailer Height**
  1. The trailer should be low enough that it is raised slightly by the tractor when the tractor is backed under. Raise and lower the trailer as needed. If trailer is too low, the tractor may strike and damage the front of trailer. If the trailer is too high, it may not couple correctly.
  2. Check that the kingpin and fifth wheel are aligned.
  
- ◆ **Connect Air Lines to Trailer**
  1. Make sure airlines are safely supported where they won't be crushed or caught while tractor is backing under the trailer.
  2. Connect tractor emergency red airline to trailer emergency red glad hand. This provides continuous air supply to trailer.
  3. Connect service blue airline to trailer service blue glad hand. This provides air to trailer only when brake is applied.



## COUPLING THE TRAILER TO TOW VEHICLE (continued)

- ◆ Supply Air to Trailer
  1. From cab, push in “air supply” knob or move tractor protection valve control from the “emergency” to the normal position to supply air to the trailer brake system.
  2. Wait until the air pressure is normal.
  3. Check brake system for crossed airlines.
  4. Shut engine off so you can hear brakes.
  5. Apply and release trailer brakes, listen for sound of brakes being applied and released. You should hear the brakes move when applied and air escape when the brakes are released.
  6. Check air brake system pressure gauge for signs of major air loss.
  7. When you are sure trailer brakes are working, start engine.
  8. Check again that the air pressure is up to normal.
  
- ◆ Lock Trailer Brakes
  1. Pull out the “air supply” knob, or move the tractor protection valve control from “normal” to “emergency”.
  
- ◆ Back Under Trailer
  1. Use lowest reverse gear.
  2. Back tractor slowly to avoid hitting the kingpin too hard.
  3. Stop when the kingpin is locked into the fifth wheel.
  
- ◆ Check Connection for Security
  1. Raise trailer landing gear slightly off the ground.
  2. Pull tractor gently forward while the trailer brakes are still applied.
  3. Check and make sure that the trailer is locked onto the tractor.
  
- ◆ Secure Vehicle
  1. Put parking brake on and transmission in neutral.
  2. Shut off engine and take key with you so someone else won't move the truck while you are under it.
  
- ◆ Inspect Coupling
  1. Use a flashlight if necessary.
  2. Make sure there is no space between trailer and fifth wheel. If there is a space something is wrong. **Kingpin may be on top of closed fifth wheel jaws; trailer will come loose very easily.**
  3. Go under the trailer and look into the back of the fifth wheel. Make sure jaws are close around the shank of the kingpin.
  4. Check that the locking lever is in the “lock” position.
  5. Check that the safety catch is in a position over locking lever. On some fifth wheels the catch must be put in place by hand.
  6. If the coupling isn't right, fix before operating.



## **COUPLING THE TRAILER TO TOW VEHICLE (continued)**

- ◆ Connect the Electrical Cord and Check Air Lines
  1. Plug the electrical cord into the trailer and fasten the safety catch.
  2. Check both airlines and electrical lines for signs of damage.
  3. Make sure air and electrical lines will not hit any moving parts on vehicle.
- ◆ Raise Trailer Landing Gear
  1. Use low gear to begin raising the landing gear, once free of weight, switch to high gear.
  2. Raise the landing gear all the way up. Never drive with the landing gear only part way up, one or both could catch on objects.
  3. After raising landing gear, secure the crank handle safely.
  4. When full weight of trailer is resting on tractor:
  5. Check for enough clearance between rear of tractor frame and landing gear. When the tractor/trailer makes a sharp turn, the landing gear must clear the back of the tractor.
  6. Check that there is enough clearance between the top of the tractor tires and the nose of the trailer.



## **UNCOUPLING THE TRAILER FROM TOW VEHICLE**

- ◆ Position the Tractor and Trailer
  1. Make sure surface can support weight of trailer.
  2. Have the tractor aligned with the trailer, pulling out at an angle can cause damage to the landing gear.
- ◆ Ease Pressure on Locking Jaw
  1. Shut off trailer air supply to lock trailer brakes.
  2. Ease pressure on fifth wheel locking plate by backing up gently, this will help you release the fifth wheel locking lever.
  3. Put parking brake on while tractor is pushing against the kingpin. This will hold the tractor with pressure off the locking jaw.
- ◆ Inspect Area
  1. Make sure around the vehicle is clear.
- ◆ Lower the Landing Gear
  1. Lower the landing gear until it makes firm contact with the ground, turn crank in low gear a few extra turns; this will lift some weight off the tractor. Do not lift trailer off the fifth wheel. This will make it easier to unlatch the fifth wheel and easier to couple next time.
- ◆ Disconnect Airlines and Electrical Cables
  1. Disconnect airlines from trailer. Connect glad hands to dummy coupler at back of cab, or coupler them together.
  2. Hang electrical cable plug down to prevent moisture from entering the end.
  3. Make sure lines are supported so they won't be damaged while driving the tractor.
- ◆ Unlock Fifth Wheel
  1. Pull the release handle to "open" position.
  2. Keep legs and feet clear of the rear tractor wheel to avoid serious injury in case the vehicle moves.



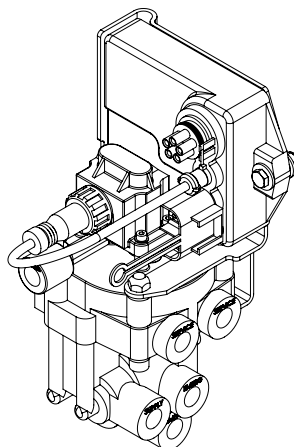
## **UNCOUPLING THE TRAILER FROM TOW VEHICLE (continued)**

- ◆ Drive Tractor Partially Clear of Trailer
  1. Drive tractor forward until fifth wheel comes out from under the trailer.
  2. Stop the tractor frame under trailer; this prevents the trailer from falling to ground if landing gear should sink or fail.
- ◆ Secure Tractor
  1. Apply parking brake and place transmission in neutral.
- ◆ Inspect Trailer Landing Gear
  1. Make sure ground is supporting the trailer and landing gear is not damaged.
- ◆ Pull Tractor Clear of Trailer
  1. Release parking brake.
  2. Check the area and drive tractor clear of trailer.

## **GENERAL OPERATION OF THE ABS SYSTEM**

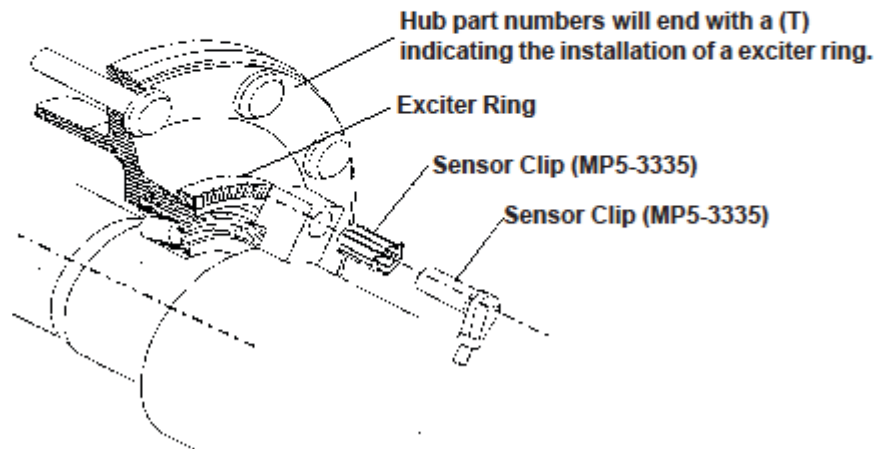
The Full Function Anti-lock Brake System (FFABS) maintains stability and control during braking by preventing wheel lock-up. FFABS consists of Sensors and Exciters, Modulating Relay Valve, and an Electronic Control Unit (ECU) to maximize the braking ability of the trailer. The ECU monitors wheel speeds, and thus vehicle speed, through the use of sensors and exciters that are mounted on the hubs of the trailer. When the ECU detects the speed of a wheel or wheels decreasing rapidly during a braking application, it releases the air pressure in the brake chamber of the affected wheel (s) via the modulator. This allows the wheel(s) to begin rotating again, thus avoiding lock-up. As soon as the wheels begin to rotate again, the ECU reapplies pressure in the affected brake chambers to maximize braking effectiveness. If the condition that caused the lock up remains, the cycle is repeated until either the brake application or vehicle is stopped. Operation is totally automatic and can occur up to six times per second.

FFABS can be installed on a variety of trailer configurations capable of controlling 2, 4 or 6 service/spring brake chambers. When the system is installed on a multi-axle trailer, it is important the proper axle is selected for positioning of the ABS wheel end sensors. Several factors are involved in making this decision, but basically, the axle selected should be the one that carries the least load or is most likely to lock first in a hard brake application.



**AP3528**





The Full Function ABS Valve was designed as a method of providing a complete trailer braking system combined with skid control in a single package. This valve combines the functions of several separate valves while providing all the valve needs for trailer service and spring brakes.

The FFABS valve has three control sections:

- Skid control unit that modulates signal pressure to prevent wheel lock up.
- Relay valve to provide the high flow of air from reservoir to brake chambers required for good brake response.
- Spring brake control module which incorporates pressure protection, one way check, double check for anti-compounding, and quick release.

The electronic control unit of the FFABS valve receives operating power from the seven-way connector. In the event of a power failure, the system will revert to a typical relay valve system; spring brake control is unaffected by a power failure.

## **CARE AND ADJUSTMENT OF BRAKES**

The trailer brake system will perform safely and efficiently only as long as you maintain it properly and do not abuse it. Trailer brakes should be inspected and adjusted frequently in connection with a Trailer Preventative Maintenance program. Out-of-adjustment brakes can cause increased stopping distance, shorter brake component life, and a greater tendency for the trailer to jackknife.

## **AIR SYSTEM AND BRAKE OPERATION**

- Proper operation of the brake system requires a firm seal between the air brake glad hands. Inspect the glad hands for rubber washer damage and cracked housing. Inspect the air hoses for cracking and for frayed connections.
- Keep the air system clean. Primary and emergency air tanks should be drained daily to remove moisture and other contaminants, especially during cold weather operations.
- Some air valve manufacturers discourage the use of any kind of air line antifreeze. It may result in deterioration of seals in these valves.
- If you use Teflon tape or other thread sealers to seal threaded connections in your air lines, be careful not to allow pieces of the sealer to enter the air system. They can clog passages into the valves.
- Keep the air system tight. The air system cannot be charged properly if there are leaks in reservoirs, lines, hoses or valves. Always check the tractor pressure gauge for unusual drops or extended buildup times.
- Run the tractor engine until the air brake system pressure gauge shows at least 70 psi. Listen for air leaks. With the engine off, check the gauge reading with no brakes applied. The gauge reading loss should not exceed three pounds in one minute.
- With the engine still off, apply the brakes fully for two minutes. The gauge reading loss should not exceed four pounds per minute.
- With engine still off, slowly open a drain cock in an emergency or supply line and allow the pressure to drop gradually.
- In a system that does not employ spring brake control valves, the relay emergency valve should function and apply the brakes.

## **AIR SYSTEM AND BRAKE OPERATION**

- In a system employing spring brake control valves, spring brakes should function and apply the brakes. Remember that serious air losses are extremely hazardous conditions that are likely to cause accidents or breakdowns.



## **WARNING:**

Do not operate this vehicle with any brake defects or with brakes out of adjustment.

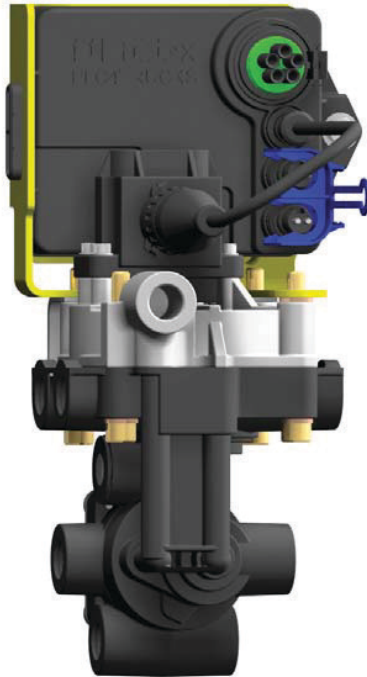
### **CHECK BRAKE OPERATION**

Before entering traffic, check the operation of the trailer brakes to be sure they are in good working order. Try foot pedal, emergency dash control valve (push, pull or flip), and trailer brake lines to assure brake application and release in each instance. Listen for air leaks under each condition.

## **TROUBLESHOOTING GUIDE**

<u>Malfunction</u>	<u>Probable Cause</u>	<u>Corrective Action</u>
Not holding air Pressure.	A. Excessive leakage in relay-emergency valve, and exhausts port.	A. Replace relay – emergency valve.
	B. Air leakage at line connectors.	B. Tighten connectors until air leakage disappears. If air leakage persists, replace defective connectors or airlines.
	C. Leakage at service or emergency line couplings.	C. Couplings are improperly connected or packing ring gasket in hose coupling is defective. Connect couplings properly or replace packing ring gasket in hose couplings.
	D. Air leakage at service or emergency air hose coupling when towing vehicle service air hose is disconnected.	D. Replace relay – emergency valve.

# Haldex



***PLC Select ABS (1M)***

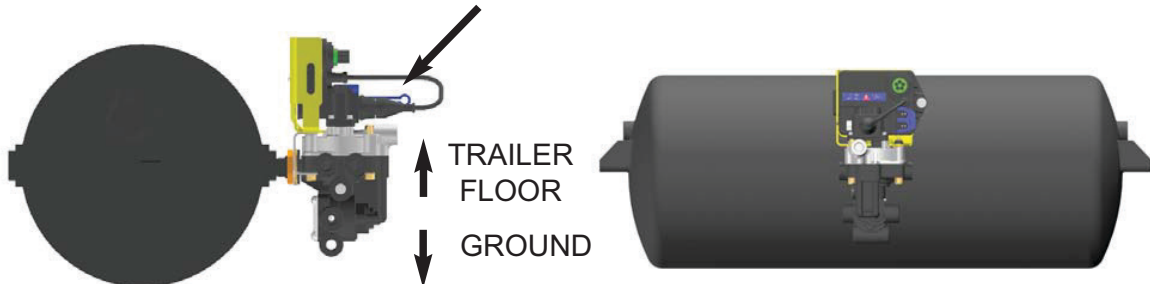
***Installation/Service Manual  
for  
2S/1M Systems***

**PLC Select 1M**

## PLC Select 1M & 2M Valve Orientation



The ABS Valve Solenoid must be installed as shown below

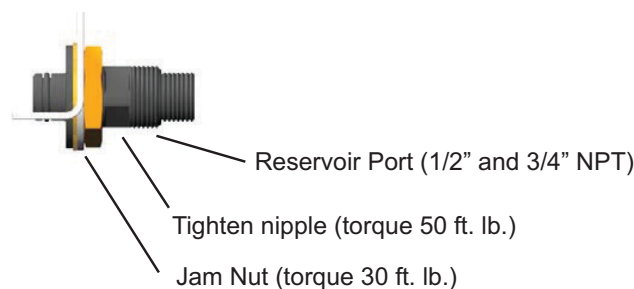


*Typical tank mount valve orientation*

1. Install fittings into valve. Sealant is not required on plastic threads or on fittings that go into plastic. **DO NOT** use teflon tape on fittings. It can break off and contaminate the air system. Liquid pipe sealant is approved for use if required.
2. For plastic ports, hand tighten fittings then rotate 1 to 1-1/2 additional turns. The maximum torque valve allowed is 210 in-lb.
3. Install valve nipple into reservoir port. Use 7/8" wrench to tighten the nipple.
4. Using a 1-1/2" wrench tighten the jam nut to 30 ft. lb, while holding the nipple with a 7/8" wrench.(see detail below).
5. Attach hoses to appropriate brake chambers. Use liquid thread sealant sparingly on all fittings (Loctite PST565 or equivalent).

**Note:** *If frame mounted follow same procedure for valve orientation.*

**Valve solenoid on a 2-port relay, 6-port relay or FFABS must be facing up when the trailer is in normal operation or service/ABS performance could be effected.**

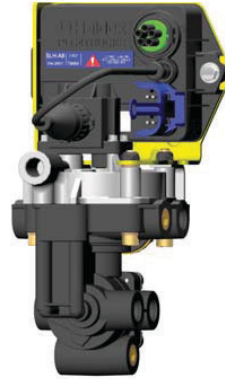


**Warning:** *Proper installation orientation shown above; otherwise, warranty is void.  
Installation behind the tank is recommended, facing the back of the trailer.*



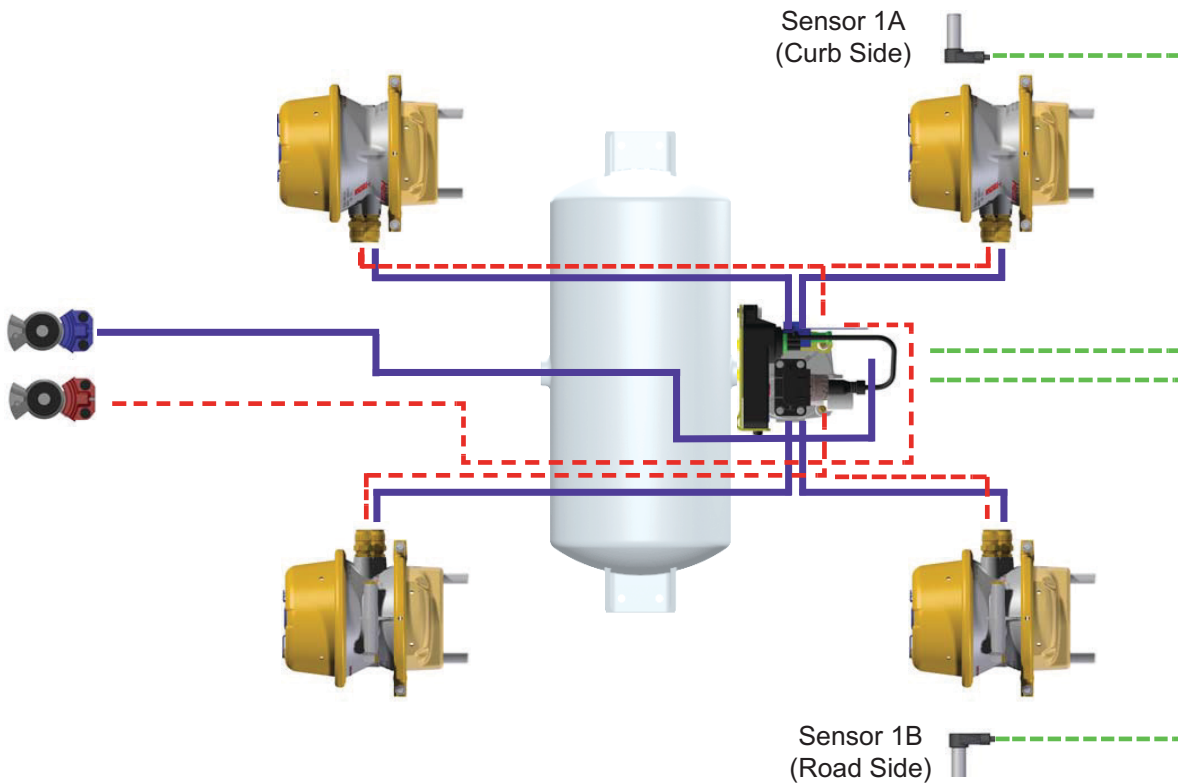
# PLC Select FFABS 2S/1M (4 Service Delivery Ports/ 4 Spring Brake Ports)

- Air suspension typically have the sensors on the rear axle
- Spring suspension typically have the sensors on the front axle



PLC Select 1M (FFABS)

## Plumbing Schematic (2S/1M) Top View



**Legend:**

Service/Control Line	
Emergency/Supply Line	
Sensor Line	

AIR BRAKE COMPONENTS AND SYSTEM SCHEMATIC ARE DESIGNED TO ALLOW COMPLIANCE WITH FMVSS 121.

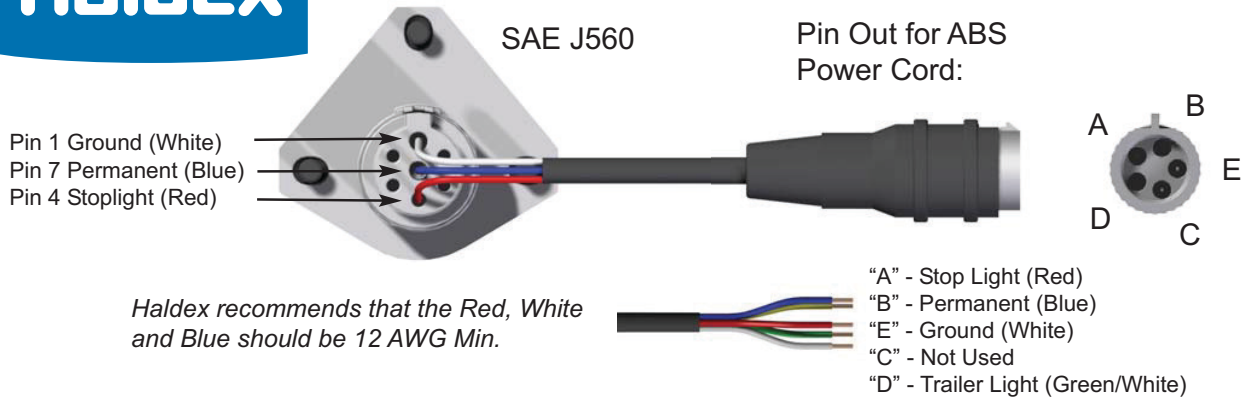
THIS SCHEMATIC IS FOR INFORMATION PURPOSE ONLY. IT IS THE VEHICLE MANUFACTURERS ULTIMATE RESPONSIBILITY TO CERTIFY THEIR SYSTEM MEETS ALL APPLICABLE REGULATIONS.

PIPE NIPPLES USED TO MOUNT BRAKE VALVES MUST BE HEAVY WALL TYPE PER SAE J514.





## ABS Power Cord - Pin Out

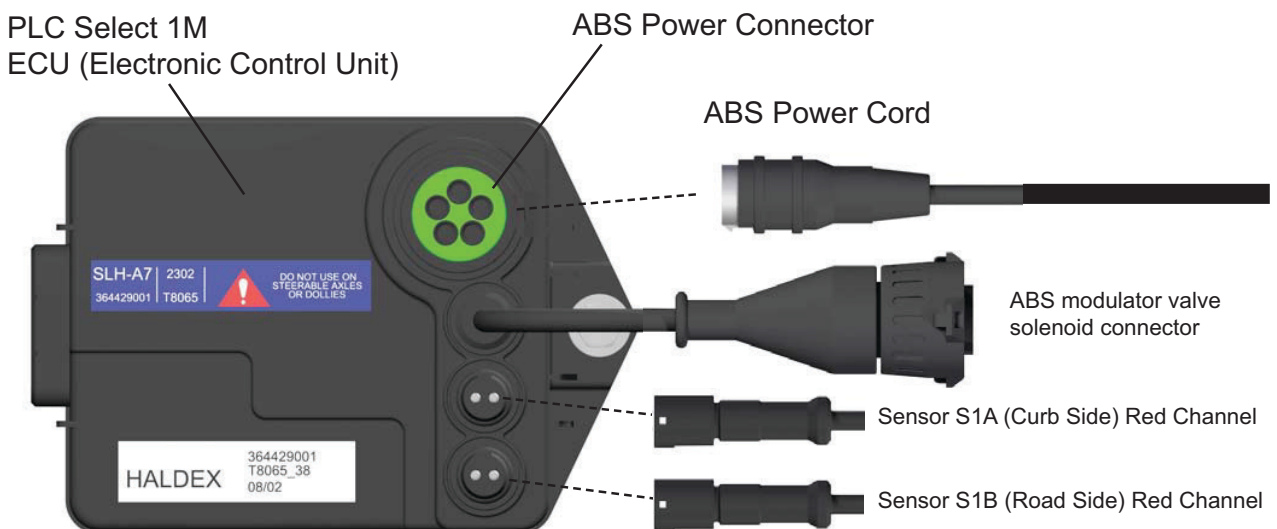


**Note:** Federal regulations mandate that new trailers, built after 3/1/2001, have the capability to provide an ABS fault signal from the trailer ABS into the tractor for an In-Cab trailer ABS Lamp. Option (1) is through Industry standard "PLC4Trucks" multiplexing (the signal is carried on Pin 7)

## PLC Select 1M ECU Overview

Correct location of the speed sensors at the wheel ends is critical for proper ABS operation and troubleshooting. The PLC Select 1M will adjust the braking air pressure in response to the input from the speed sensors. Incorrect installation or location of speed sensors, sensor block clips and exciter rings will result in poor ABS performance or sensors crossed leading to incorrect diagnostics troubleshooting.

The figure below shows the correct power and speed sensor connections on the PLC Select 1M ECU (Electronic Control Unit).



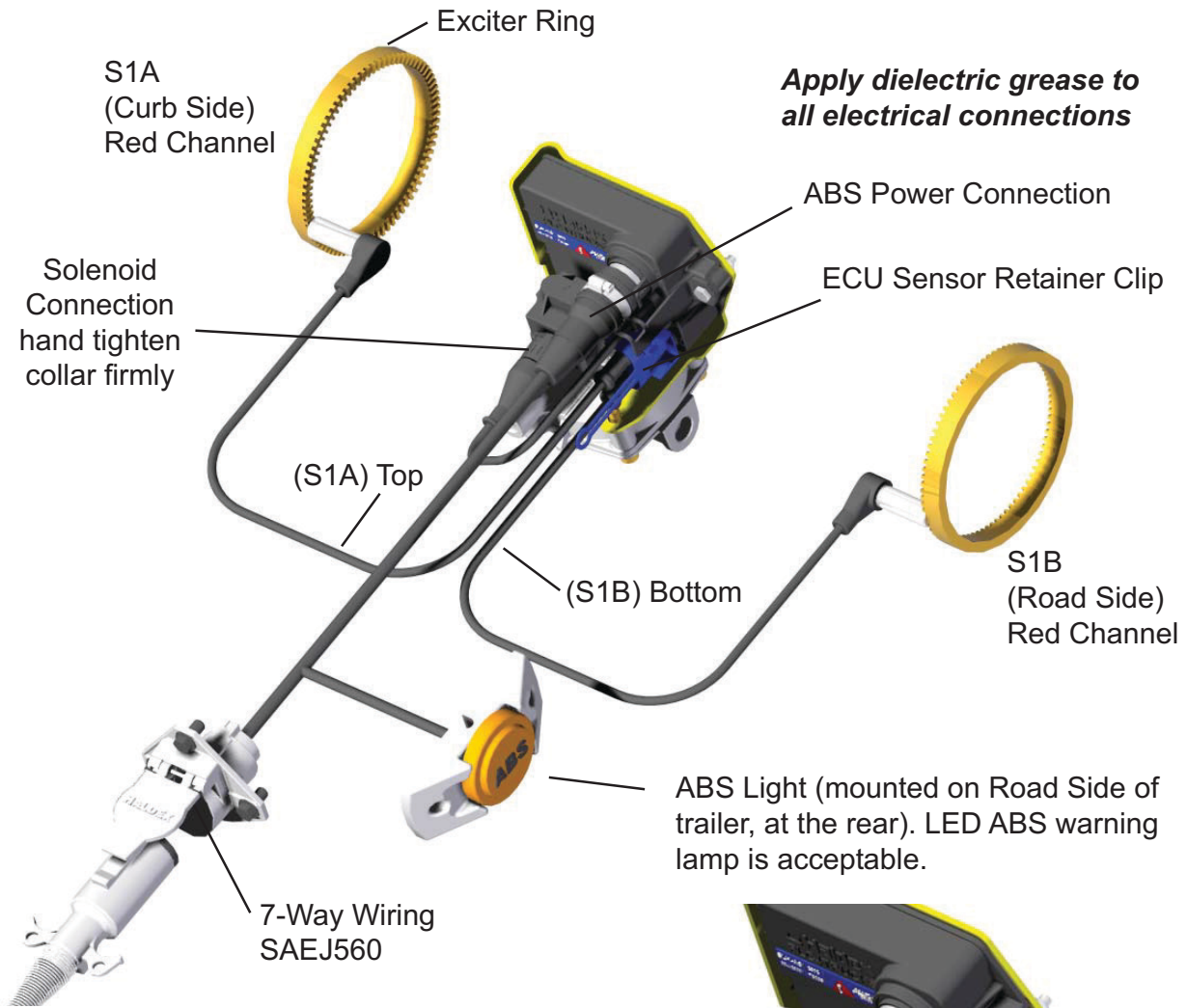
**Note:** When installing and servicing always apply small amount of dielectric grease to all electrical connections.

**PLC Select 1M**

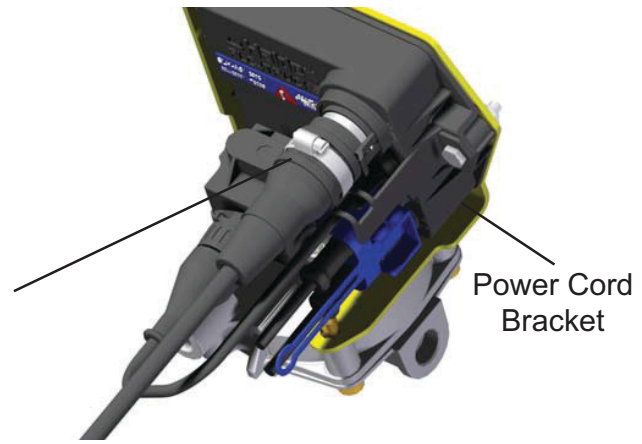
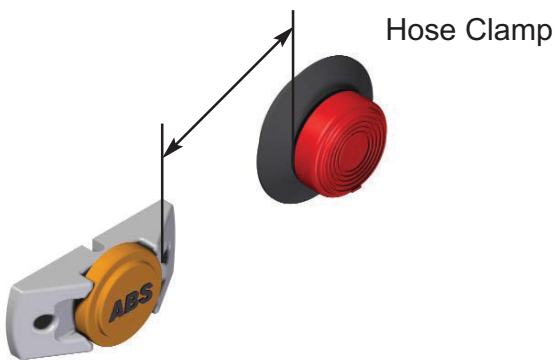
# 2S/1M System Wiring - PLC Select



**Note: Cover all exposed electrical connections before painting**



\*Distance of ABS Light from Red rear clearance side marker light is 5.9" inches to 23" inches max.



The ABS Power Cord is secured to the power cord bracket (page 13) and is secured with a hose clamp (preferred) or tie strap.





## Simplified Troubleshooting Procedures 2S/1M Anti-Lock System

After completion of a PLC FFABS or Modular installation, the following troubleshooting test procedures should be performed to ensure the ABS System is functioning properly. If any portion of these tests fail, consult with the Haldex Technical Department at 800-643-2374.

### Test Equipment

- 12VDC/30 AMP Power Supply (**DO NOT** use a Battery Charger).
- Jumper Cable from Power Supply to the 7-Way Receptacle.
- Shop Air.

### Step One

Charge the trailer brake system with supply and service air. Connect power supply to the 7-way receptacle and follow the checklist below to ensure the ABS System is functioning properly.

- **Modulator Blow-Down:** The ABS modulator should exhaust a brief shot of air, **do not rotate wheels during this test.**
- **ABS Light Sequence:** The ABS light should come on for 2.5 seconds, then go off, if no faults are detected. If faults are detected, the light will remain on.

### Step Two

Lift the ABS equipped axle on the trailer, release the service brakes and follow the checklist below.

- **Connect** constant power to the stop light circuit. (#4 conductor at 7-way receptacle)
- **Cycle** power to the trailer auxiliary circuit (#7 conductor at 7-way receptacle) ON, OFF, then ON to activate the system's simple diagnostic mode. (See chart for code interpretation.)
- **Rotate** the "curb" side wheel; the ABS lamp should flash 1 time. The lamp will remain on after the wheel is stopped, until the next wheel is rotated.
- **Rotate** the "road" side wheel; the ABS lamp should flash 2 times.

### Blink Code Diagnostics

#### Mode 1 - Simple Mode Diagnostic Fault Table (ON,OFF,ON)

Item	Flash Count	Actual Fault
System OK	Lamp Stays On	07
Sensor 1A	1 Flash	01, 11, 21
Sensor 1B	2 Flashes	02, 12, 22
Sensor 2A	3 Flashes	03, 13, 23
Sensor 2B	4 Flashes	04, 14, 24
Sensor 3A	5 Flashes	05, 15, 25
Sensor 3B	6 Flashes	06, 16, 26
Red Valve	7 Flashes	41, 61, 67, 71, 77, 81, 87
Blue Valve	8 Flashes	42, 62, 68, 72, 78, 82, 88
Yellow Valve	9 Flashes	43, 63, 69, 73, 79, 83, 89
Low Voltage	10 Flashes	90
ECU Failure	11 Flashes	93, 99, E-Codes

### Wheel Speed Mode

Wheel Speed Mode is accessible only when in Simple Mode. This mode is not activated until the ECU has received a signal from the wheel speed sensor of a spinning wheel. The hold solenoid of the modulator associated with the particular sensed spinning wheel will be cycled. The blink codes for the sensed wheels are:

<b>S1A:</b> 1 Flash	<b>S1B:</b> 2 Flashes	<b>S2A:</b> 3 Flashes
<b>S2B:</b> 4 Flashes	<b>S3A:</b> 5 Flashes	<b>S3B:</b> 6 Flashes

### Troubleshooting Notes

- 1 - Spin only one wheel at a time.
- 2 - Once a wheel is rotated, the ABS lamp will remain on after the wheel is stopped, until the next wheel is rotated.

### Haldex Commercial Vehicle Systems

Haldex Brake Products Corporation  
10930 N. Pomona Avenue  
Kansas City, MO 64153-1256  
Phone: 816-891-2470  
Fax: 816-891-9447

Haldex Limited  
525 Southgate Drive, Unit 1  
Guelph, Ontario Canada N1G 3W6  
Phone: 519-826-7723  
Fax: 519-826-9497



## Welding on Trailers Equipped with Haldex ABS Products

Haldex Commercial Vehicle Systems specifies very few requirements when welding on a trailer equipped with a Haldex ABS System:

- ✓ Weld only when the trailer is not attached to the towing vehicle.
- ✓ Take precautionary measures to protect against extreme heat, flying slag and/or molten metal.
- ✓ Never connect power to the 7-pin connector or to the ABS System when welding on the trailer.

Haldex does not require the disconnection of any ABS wire harnesses when welding on the trailer due to the fact that the ECU circuits have been specially designed to protect against transient voltages which can occur during welding.

For additional information or assistance, contact your local Haldex Sales Professional or a member of the Haldex ABS Engineering Team at (816) 891-2470.

**Innovative Vehicle Technology**

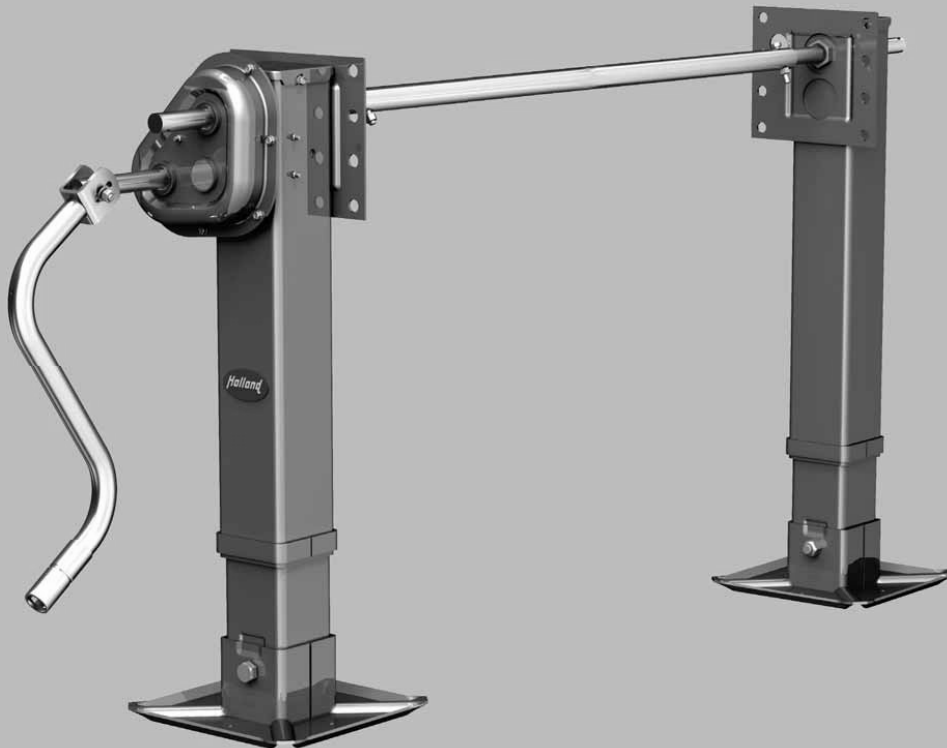
[www.hbsna.com](http://www.hbsna.com)

2/03 5M CM L55134

L55134  
SERVICE  
BULLETIN

# Installation, Operation and Maintenance Manual

## Atlas 55, Atlas 65 and Atlas iM



## 1. Safety Instructions

### General and Servicing Safety Instructions

- Read and observe all Warning and Caution hazard alert messages. The alerts provide information that can help prevent serious personal injury, damage to components, or both.

**⚠ WARNING** Failure to follow the instructions and safety precautions in this manual could result in improper servicing or operation leading to component failure which, if not avoided, could result in death or serious injury.

- All maintenance should be performed by a properly trained technician using proper/special tools, and safe procedures.

**NOTE:** In the United States, workshop safety requirements are defined by federal and/or state Occupational Safety and Health Act (OSHA). Equivalent laws may exist in other countries. This manual is written based on the assumption that OSHA or other applicable employee safety regulations are followed by the location where work is performed.

**IMPORTANT:** Verify before installation that the landing gear selected will withstand the load and have the correct travel/extension requirements for the trailer.

- DO NOT operate the landing gear if it is cracked, bent, or any other damage is present. Using damaged landing gear could result in death or serious injury.

**⚠ WARNING** Failure to check condition of landing gear prior to operating could result in unexpected performance which, if not avoided, could result in death or serious injury.

**⚠ WARNING** Using damaged landing gear could result in unexpected performance which, if not avoided, could result in death or serious injury.

- Properly support and secure the vehicle from unexpected movement when servicing the landing gear.

**NOTE:** If possible, unload the trailer before performing any service procedures.

**⚠ WARNING** Failure to secure the trailer from rolling, when operating the landing gear, could result in death, serious injury or property damage.

**⚠ WARNING** Failure to properly support and secure the trailer during installation of landing gear could create a crush hazard which, if not avoided, could result in death or serious injury.

- DO NOT walk/crawl underneath a trailer during coupling/uncoupling or while it is supported by the landing gear/kingpin stand.

- If possible, unload the trailer before performing any maintenance or service procedures.

**⚠ WARNING** Failure to keep clear from underneath the trailer could create a crush hazard which, if not avoided, could result in death or serious injury.

## 7. Landing Gear Operation

### 7.1 Pre-Operation Inspection

The landing gear should be visually inspected prior to use. Make sure the legs are square to the trailer on both sides. Visually check for damaged, loose or broken components. Repair or replace the damaged landing gear.

**⚠ WARNING** Failure to check the condition of the landing gear prior to operating could result in use of damaged product which, if not avoided, could result in death or serious injury.

### 7.2 Landing Gear Orientation

Determine if the landing gear is an outside (conventional) or an inside (reverse) mount before operation. The mount determines how the landing gear operates.

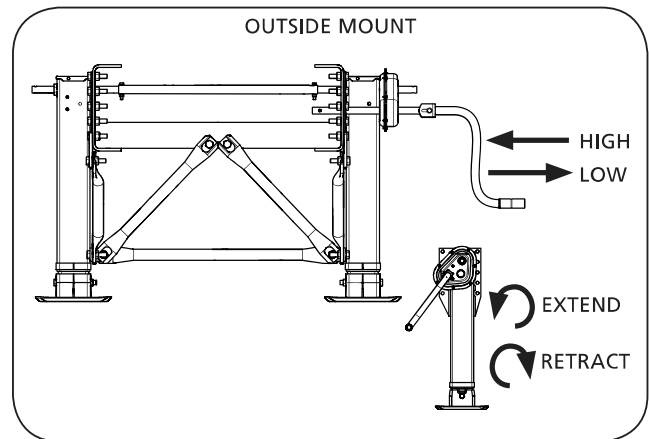
Landing gear with an outside mount (**Figure 16**):

- Push the crank handle in for high speed.
- Pull the crank handle out for low speed.
- Turn the crank clockwise to retract the leg.
- Turn the crank counter-clockwise to extend the leg.

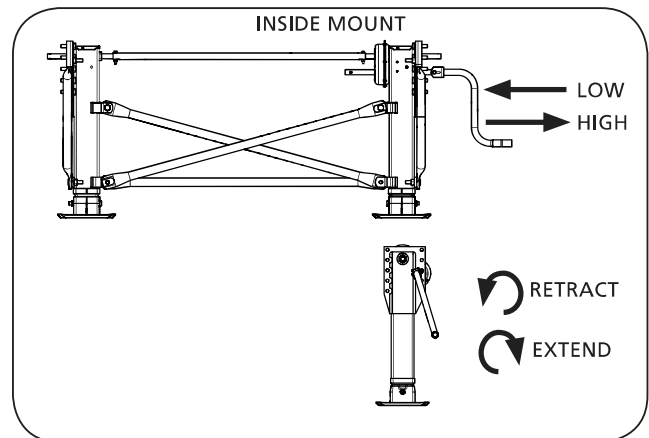
Landing gear with an inside mount (**Figure 17**):

- Push the crank handle in for low speed.
- Pull the crank handle out for high speed.
- Turn the crank clockwise to extend the leg.
- Turn the crank counter-clockwise to retract the leg.

**Figure 16**



**Figure 17**



### 7.3 Landing Gear Operation During Coupling

**CAUTION** Failure to perform procedures in a lighted area that is clear of obstacles and personnel could lead to a hazardous situation which, if not avoided, could result in minor or moderate injury.

**NOTE:** For specific coupling instructions relating to the fifth wheel, tractor, and trailer, refer to the respective manufacturer's instructions.

1. Make sure the coupling area is flat, level and clear of persons and obstacles.
2. Prepare the fifth wheel, tractor and trailer for coupling per the manufacturer's instructions.
3. Back up to the trailer per the fifth wheel, tractor, and trailer manufacturer's instructions, centering the kingpin with the throat of the fifth wheel as illustrated (**Figure 18**).

**IMPORTANT:** DO NOT attempt to couple until steps 4-6 are completed.

**IMPORTANT:** DO NOT couple the tractor and trailer at an angle.

**CAUTION** Failure to align the tractor and the trailer properly could result in damage to the landing gear.

4. Engage the tractor parking brake, and chock the trailer wheels. Connect the brake lines and the electrical connections. Support the slack in the line to prevent interference.
5. Make sure that the landing gear is in low gear and engage the crank handle (**Figure 19**).

**CAUTION** Failure to lift and lower the trailer in LOW GEAR could result in damage to the landing gear.

6. With two hands on the crank handle, adjust the trailer height according to the fifth wheel, tractor, and trailer manufacturer's recommendations.

**WARNING** Failure to maintain two hand control of the handle and release SLOWLY could cause spring back, which, if not avoided, could result in death or serious injury.

7. Release the tractor parking brake. Couple and verify that the fifth wheel jaws are locked per the fifth wheel manufacturer's recommendations.
8. Engage the tractor parking brake. While still in low gear, retract the landing gear until the pads just come off the ground (**Figure 20**).

Figure 18

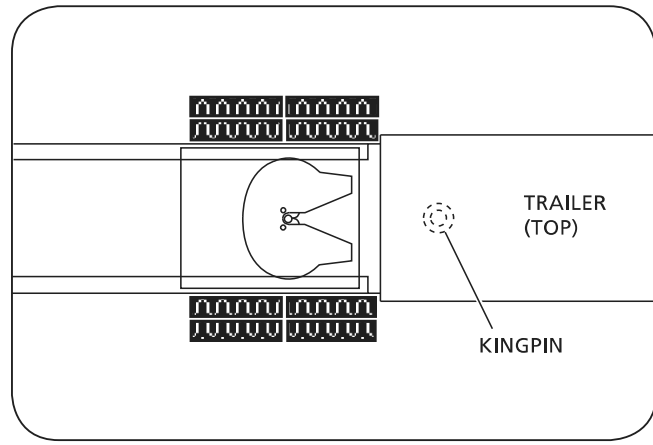


Figure 19

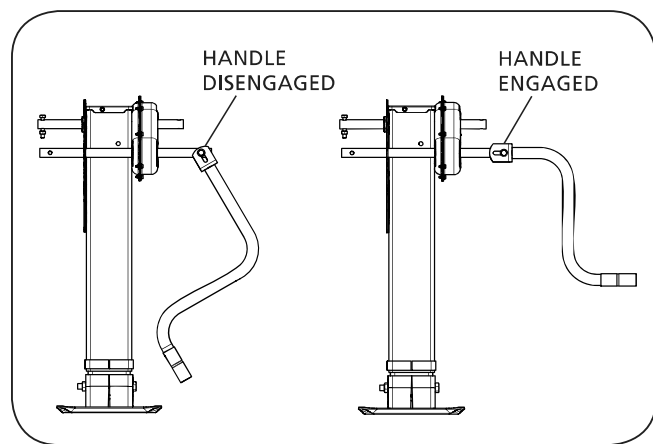
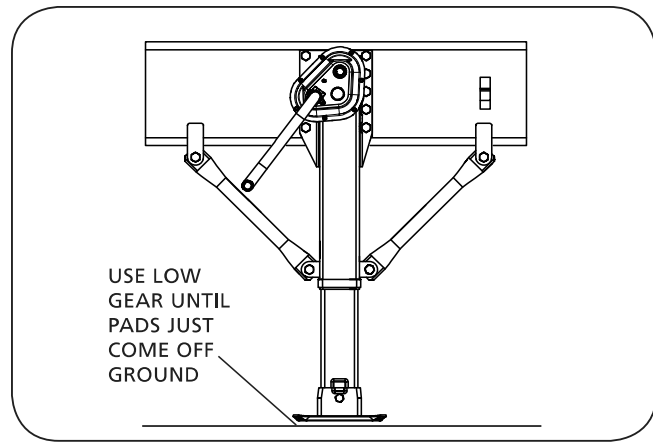


Figure 20



9. Release the tractor parking brake. Re-verify that the fifth wheel jaws are locked per the fifth wheel manufacturer's recommendations. Reapply the tractor parking brake.
10. Shift the landing gear into high gear and fully retract. Shift the landing gear into low gear and secure the crank handle (**Figure 21**).

**CAUTION** Failure to retract the landing gear fully before moving the trailer could result in property damage.

**CAUTION** Failure to secure the crank handle when NOT in use could allow unplanned landing gear extension which, if not avoided, could result in property damage.

11. Complete all pre-trip inspection and operation procedures.

#### 7.4 Landing Gear Operation During Uncoupling

**NOTE:** For specific uncoupling instructions relating to the fifth wheel, tractor, and trailer, refer to the respective manufacturer's instructions.

1. Position the tractor and the trailer on a well lit, level surface, clear of persons and obstacles. Verify that the surface beneath the landing gear is capable of supporting the trailer weight. Also ensure that the tractor and trailer are in line with each other.

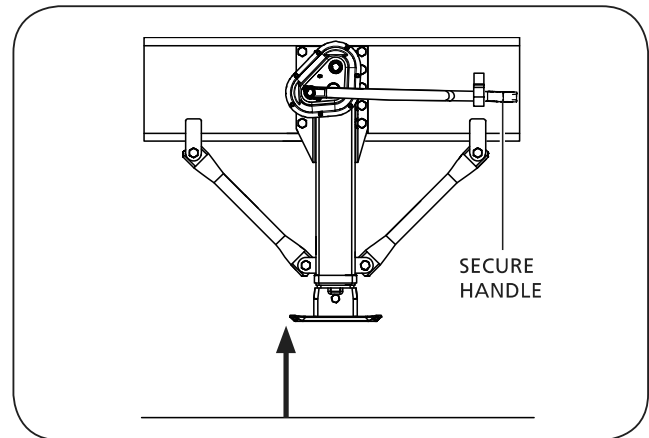
**NOTE:** If necessary, place landing gear pads on a support plank to prevent the landing gear from sinking into the supportive surface. (This is especially important with liquid cargo, where a shift in the contents could overturn the trailer).

**CAUTION** Failure to align the tractor and trailer properly could result in damage to the landing gear.

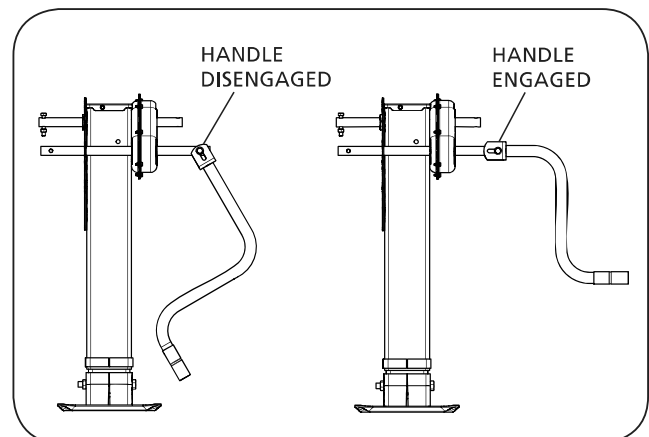
**WARNING** Failure to rest the landing gear pads on a hard, flat surface, could result in trailer tip-over which, if not avoided, could result in death or serious injury.

2. Engage the trailer brakes. Slowly back tractor tightly against the trailer. Set the tractor brakes, and chock the trailer wheels.
3. Engage the landing gear crank handle and shift to high gear (**Figure 22**).

**Figure 21**



**Figure 22**



- Extend the landing gear until the pads just touch the ground (**Figure 23**).

**CAUTION** Failure to operate the landing gear within the maximum extension or retraction including repeated winding to its physical stops could, if not avoided, cause damage to the landing gear.

**WARNING** Failure to maintain two hand control of the handle and release **SLOWLY** could cause spring back which, if not avoided, could result in death or serious injury.

- Shift the landing gear into low gear and secure the crank handle in the crank hanger (**Figure 24**).

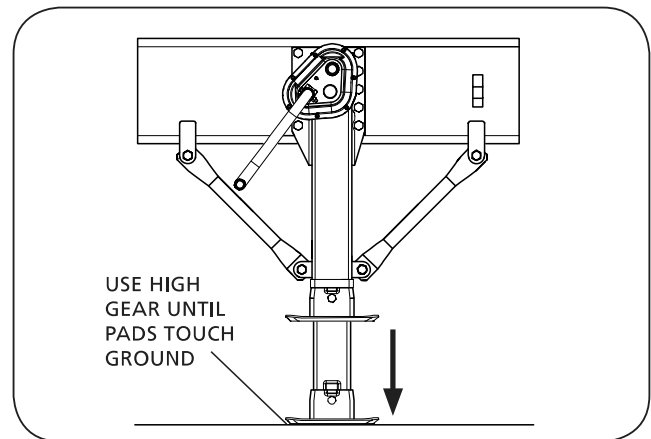
**CAUTION** Failure to secure the crank handle when NOT in use could, allow unplanned landing gear operation which, if not avoided, could result in property damage.

- Per the manufacturer's instructions, release the fifth wheel, disconnect the air lines and the electrical cord. Release the tractor brakes, Slowly drive away from the trailer until the fifth wheel disengages from the kingpin but remains under the trailer.
- Engage the tractor parking brake. Get out and inspect the landing gear and the support surface for proper trailer support.

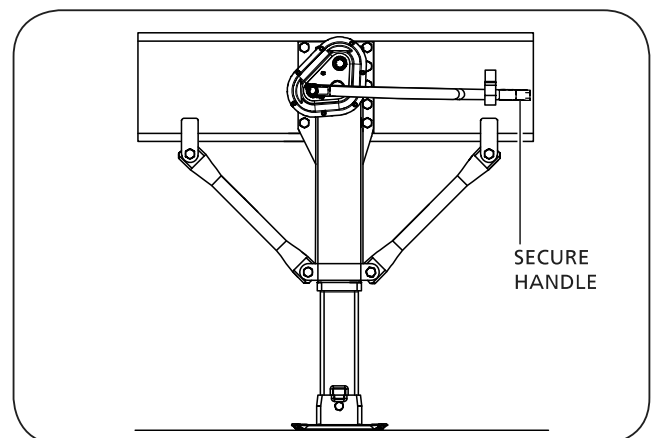
**WARNING** Failure to properly support the trailer could result in trailer instability which, if not avoided, could result in death, serious injury or property damage.

- Complete the uncoupling procedures per the fifth wheel, tractor, and trailer manufacturer's recommendations.

**Figure 23**



**Figure 24**



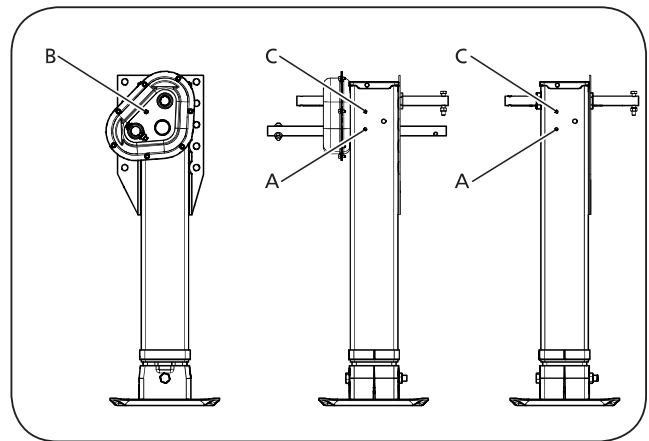


## 8. Routine Service and Inspection

**Table 1**

Procedure	Interval	Notes
Landing Gear Inspection	Every use	Replacement/repair required if components visibly damaged, loose, or broken.
Lubrication	Every six (6) months *Unless No Lube™ option selected.	More frequently in excessively moist and dusty conditions, as well as if not used for extended periods of time.
Cleaning	With the vehicle	
Hardware Inspection	Every 6 months	
Landing Gear Alignment	Every 6 months	Inspection required if landing gear are visibly bent or damaged.

**Figure 25**



### 8.1 Landing Gear Inspection (Before Use)

Before use, inspect the landing gear for cracks, bent components, or damaged/missing hardware, and any noticeable defects. The landing gear must be repaired prior to operation to avoid damage and possible injury.

**⚠ WARNING** Failure to check the condition of landing gear prior to operating could result in use of damaged product which, if not avoided, could result in death or serious injury.

### 8.2 Lubrication

The landing gear requires lubrication whether it is used frequently or sits idle for extended periods of time. If left idle and un-greased, hard cranking could result. Use high quality grease for normal applications. For low temperature applications, use low temperature grease. Follow these steps to maintain expected performance (**Figure 25**):

**⚠ CAUTION** Failure to properly lubricate the landing gear when required could result in damage to the landing gear.

1. Place the trailer on level ground, chock the tires, and support the trailer independently of the landing gear.
2. Fully retract the landing gear, then using high gear, extend the leg 2-3 turns and lubricate the lift-screw assembly through grease fitting "A". Apply 1/2 lb. of grease.
3. Lubricate the gearbox, using grease fitting "B". Apply 1/4 lb. of grease.
4. Lubricate the bevel gear, using grease fitting "C". Apply 1/4 lb. of grease.
5. Distribute the lubrication by fully extending and retracting the leg several times.

### 8.3 Cleaning

No special cleaning of the landing gear is required; however, the landing gear should be cleaned with the rest of the vehicle.

**NOTE:** DO NOT directly aim water at the landing gear shafts and bushings or up into the retract assembly. Water infiltration into the gearbox and housing may cause corrosion.

**CAUTION**

Failure to prevent water infiltration into the shafts, bushings and retract assembly, could result in damage to the landing gear.

### 8.4 Hardware Inspection

Perform the following procedures to ensure the landing gear is in proper working order:

1. Tighten or replace the mounting bolts as necessary.
2. Inspect the mounting bracket for cracks or other signs of damage.
3. Repair or replace any broken or damaged part of the landing gear assembly or mounting structure.

**WARNING**

Failure to repair or replace damaged landing gear components can result in unsafe product conditions which, if not avoided, could result in death or serious injury.

4. Inspect the crank handle bolt and the lock nut. Tighten or replace as necessary.
5. Inspect the crank handle. If the handle connecting tabs, tube or grip are bent or damaged, replace the handle.
6. Cross shaft connection bolts and lock nuts should be secure, but allow side-to-side play in the cross shaft.
7. Inspect the footwear for damage and replace if the components are bent or cracked. If removable footwear is present, ensure all mounting bolts and fasteners are tightened and footwear is secure.
8. Check for proper shift shaft engagement in both high and low gear and proper shifting between gears. Rebuild if necessary.

**NOTE:** The crank shaft should translate approximately 5/8" between high and low gear.

9. Rebuild or replace the landing gear with excessive play in the shafts and bushings.

### 8.5 Landing Gear Alignment

Check to make sure the landing gear legs are in alignment with the trailer and parallel with each other using a square (**Figure 26**). Bent or damaged legs are an indication of possible damage to the lift screw, lift nut or other internal components and should be replaced.

**NOTE:** Atlas 55, 65 and iM landing gear utilize a floating nut retract tube design. A retract tube that appears to be angled slightly compared to the upper housing DOES NOT constitute a damaged leg (**Figure 27**). However, if the landing gear housing shows signs of fracture or cracking around the band area, the landing gear must be replaced.

Figure 26

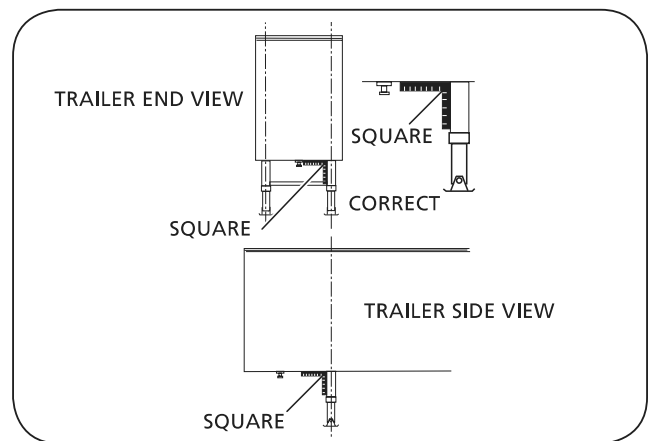
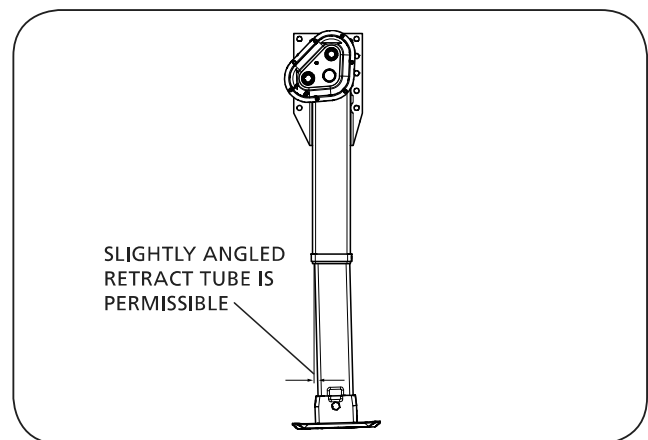


Figure 27



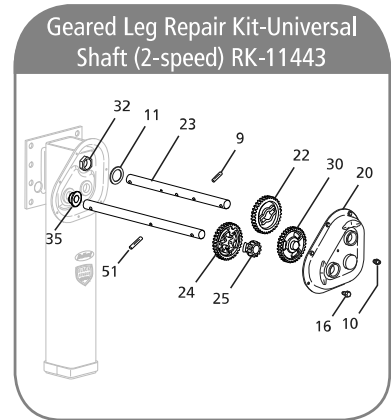
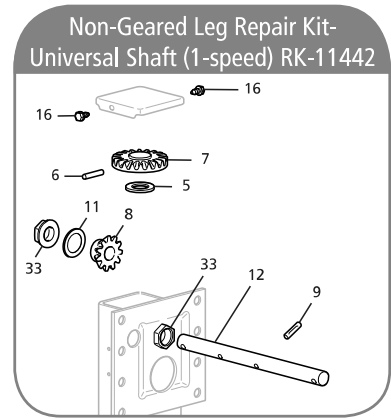
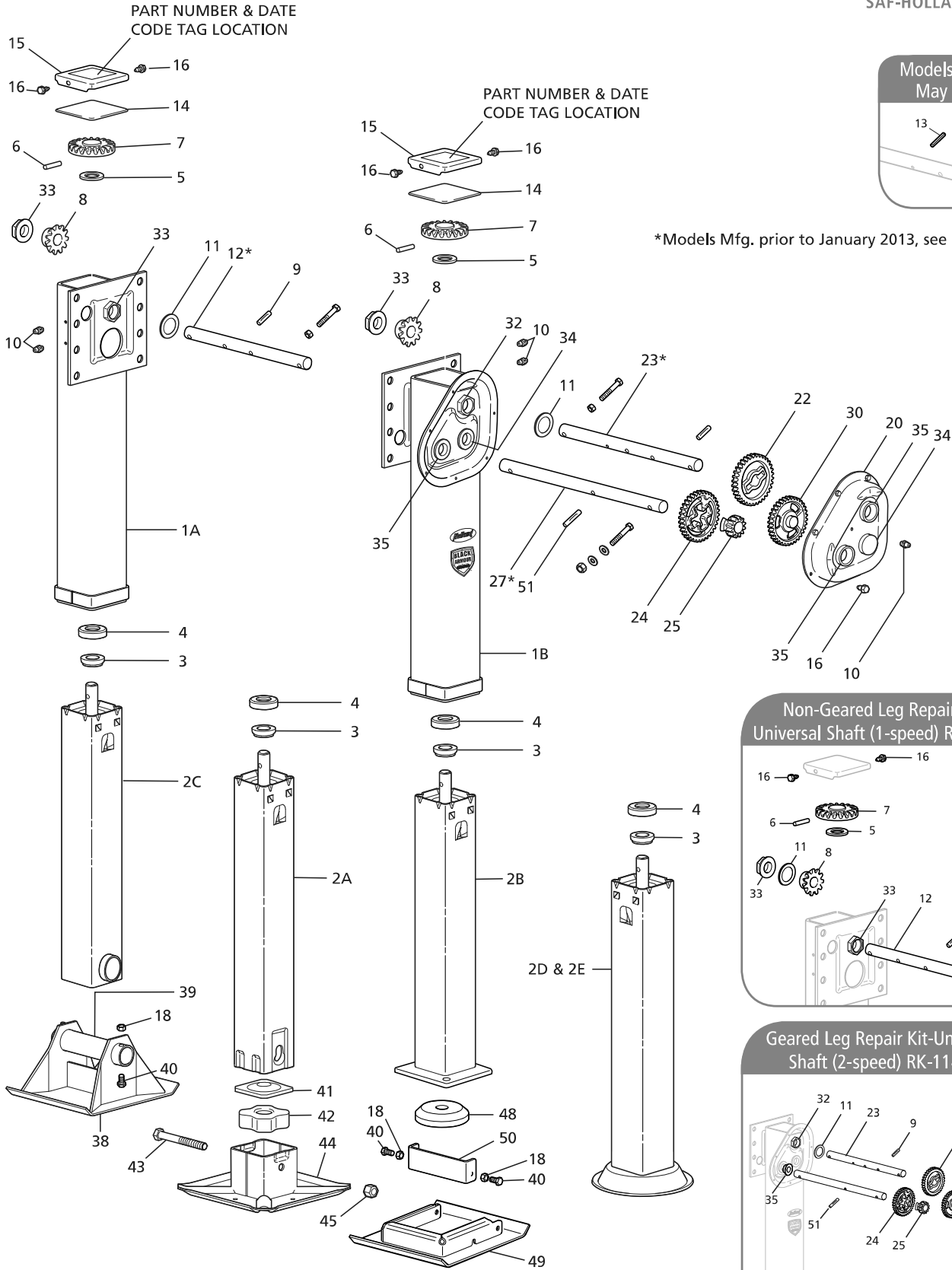
## 9. Troubleshooting

PROBLEM	POSSIBLE CAUSE	RESOLUTION
Hard to Crank Landing Gear	Turning the crank in the wrong direction	Refer to "Landing Gear Operation" for proper crank rotation.
	Attempting to raise or lower trailer in high gear.	Shift into low gear. DO NOT ATTEMPT TO LIFT OR LOWER IN HIGH GEAR. Doing so could result in damage to the landing gear.
	Cross shaft binding.	Inspect cross shaft bolts. Back off bolts to allow lateral (side to side) movement of the cross shaft. Straighten or shorten cross shaft to eliminate binding.
	Misaligned landing gear legs.	Legs MUST be parallel and extend and retract evenly. Remove cross driveshaft and adjust landing gear legs to same height.
	Lack of grease.	Grease landing gear legs as provided in the "Lubrication" section.
	Damaged lift screw or nut.	Check landing gear for signs of impact (accident) damage. Disconnect cross shaft and crank legs individually to determine which leg is damaged. Replace entire retract assembly or damaged leg.
	Interference between powder metal bushing or jackshaft of gearbox and trailer mounting surface.	Trailer mounting surface may need to be modified to ensure no interference between bushing or jackshaft and trailer surface.
	Upper housing or retract tube may be bent.	Replace damaged part(s) or landing gear.
	Excessive wear or damage to pinion, bevel, input, idler and/or output gears.	Replace damaged gears.
	Bearing boss is pushed inside housing.	Replace jackshaft and O-ring with jackshaft repair kit designed for landing gear models sold after January 2013.
	Weld blow through where strut bracket is welded to housing.	Grind weld as required and re-weld. (With no-load on landing gear, the retract tube should have free play inside the housing.)
Hard to crank landing gear under load only.	Damaged collar.	Replace the collar
	Damaged thrust bearing.	Replace the thrust bearing.
Crankshaft jams or skips while turning.	Inner leg screw damaged.	Examine the lift nut and screw of the inner leg assembly for impact (accident) damage. Replace components or leg as necessary.
	Worn, broken, or damaged gears (missing teeth).	Examine pinion, bevel pinion and all gearbox gears for missing teeth or other signs of damage or wear. Replace components as necessary.
Landing gear will NOT shift between gears.	Low input gear is frozen or binding on the shift shaft.	Follow procedures in the Troubleshooting Guide XL-LG11424TS-en-US to restore easy shifting.
Gearbox leg operates but opposite leg DOES NOT.	Broken/damaged cross driveshaft bolt.	Replace cross driveshaft bolt.
	Broken/damaged cross driveshaft.	Replace cross driveshaft.
	Bevel gear pin/pinion gear pin sheared in non-gearbox leg.	Remove upper leg cover. Check for damaged or missing pins under bevel gear, or in pinion gear and replace as necessary.
	Bevel gear/pinion gear damaged in non-gearbox leg.	Remove upper leg cover. Check for damaged gears and replace as necessary.
Non-gearbox leg operates, but gearbox leg DOES NOT.	Bevel gear pin/pinion gear pin sheared in gearbox leg.	Remove upper leg cover. Check for damaged or missing pins under bevel gear, or in pinion gear and replace as necessary.
	Bevel gear/pinion gear damaged in gearbox leg.	Remove upper leg cover. Check for damaged gears and replace as necessary.
Both legs will NOT operate, shift shaft will turn but output shaft DOES NOT turn.	Damaged input, idler, and/or output gear.	Remove gearbox cover. Inspect and replace broken gears.
	Gear pin(s) sheared in gearbox.	Remove gearbox cover. Inspect and replace broken pins.
Both legs will NOT operate, but shift shaft and output shaft turn.	Bevel gear pin/pinion gear pin sheared in both legs.	Remove upper leg covers. Check for damaged or missing pins under bevel gear, or in pinion gear and replace as necessary.
	Bevel gear/pinion gear damaged in both legs.	Remove upper leg covers. Check for damaged gears and replace as necessary.
Legs locked and will NOT turn	Bent retracting screw or damaged riser nut and screw.	Check landing gear for signs of impact (accident) damage. Disconnect cross shaft and attempt to crank legs individually to determine which leg is damaged. Replace entire retract assembly or damaged leg.

# ATLAS 55 Standard - Exploded View



SAF-HOLLAND Group





NO.	DESCRIPTION	RETRACT TUBE CODE	TRAVEL					
			13.50"	15.50"	17"	17" CAN.	17" MRL	19"
2A	Retract Tube - RCF	0 or 5 (MRL)	LG3053-01	LG3053-02	LG3053-04	N/A	LG3053-03	LG3053-05
2B	Retract Tube - Low Profile RCF	0	LG3097-01	LG3097-02	LG3097-03	N/A	N/A	NA
2C	Retract Tube - Axle	0	LG3012-01	LG3012-02	LG3012-03	N/A	N/A	LG3012-04
2D	Retract Tube - Shockfoot 10" DIA	0,6 (CAN) or B	LG3061-02	LG3061-03	LG3061-04	LG3061-07	LG3061-10	LG3061-13
2E	Retract Tube - Shockfoot 12" DIA	0,6 (CAN) or B	LG3061-01	N/A	LG3061-05	LG3061-08	LG3061-11	LG3061-14

NO.	DESCRIPTION	PART NO.	SPEED	
			ONE	TWO
1A	Upper Housing LH	N/A	-	-
1B	Upper Housing RH	N/A	-	-
3	Collar	XB-LG0544	1	1
4	Thrust Bearing	XB-BRG-013-77	1	1
5	Washer - FL 2" OD x 1.19" ID x .13" THK	XB-PW-016-62	1	1
6	Pin - DIA .38" x 2"	XA-CRP-V-06635	1	2
7	Bevel Gear	LG2884	1	1
8	Pinion Gear	LG1823-02	1	1
9	Groove Pin - DIA .38" x 1.50"	XB-GP-014-18	1	1
10	Ftg - Grease .25"-28 Self Tapping	XB-GRF-022-16	2	3
11	O-Ring, #319	2024100000100	1	1
12	Jack Shaft LH - Universal Mount	LG2964-01	1	-
	- I-Beam Mount, 6.50"	LG2964-04	1	-
	- I-Beam Mount, 10.00"	LG2964-05	1	-
	- Conventional Mount	LG2964-02	1	-
	- Reverse Mount	LG2964-03	1	-
13	Pin - Spring DIA .25" x 1.5" (Not Required)	N/A	-	-
15	Top Cover	2111100004080	1	1
16	Self-Tapping Screw .25"-20 x .5" Lg	XB-STS-008-11	2	9
17	Screw, Hex Cap .38"-16 x 2.25" Lg GR5	XB-HHC-050-42	1	2
18	Self-Locking Nut .38"-16 - Sandshoe	XB-SLN-012-04	2	3
	- Low Profile RCF	XB-SLN-012-04	3	4
	- RCF		1	2
19	Washer .38" Std Type A	XB-PW-016-03	-	2
20	Gearbox Half, Outside w/Hole for Grease Fitting	LG2996	-	1
22	Output Gear	LG2980	-	1
23	Jackshaft RH - Universal Mount	LG2963-01	-	1
	- I-Beam Mount, 6.50"	LG2963-04	-	1
	- I-Beam Mount, 10.00"	LG2963-05	-	1
	- Conventional Mount	LG2963-02	-	1
	- Reverse Mount	LG2963-03	-	1
24	Gear, Drive, High Speed - Machined	2040100000060	-	1
25	Gear, Drive, Low Speed - Machined	2040100000050	-	1
26	Groove Pin, Type E DIA .38" x 2.00" Lg	XB-GP-052-21	-	1
27	Shift Shaft - Universal	2111100003400	-	1
	- I-Beam & Conventional	2111100003410	-	1
	- Reverse	2111100003420	-	1
30	Idler Gear	LG2975	-	1
32	Boss, Hex Lock - Oversized	2022100000180	-	1
33	Hex Lock Boss - Sealed	LG2926-10	2	1
34	Idler Shaft Bushing (Included in Item #23)	LG3005	-	2
35	Boss Bearing - Sealed (Included in Item #20)	LG0659-10	-	3

NO.	DESCRIPTION	PART NO.	SPEED	
			ONE	TWO
38	Sandshoe - 10" x 10" x 4.50"	50616001	1	1
	- 10" x 12" x 4.50"	50616000	1	1
	- 10" x 10" x 2.00"	50616008	1	1
	- 10" x 12" x 2.00"	50616007	1	1
39	Sandshoe Axle - Hollow Axle 8.50" Lg	LG0070-02	1	1
40	Screw, Hex Cap .38"-16 x .75" Lg GR5 - Sandshoe	XB-HHC-050-69	1	1
	Screw, Hex Cap .38"-16 x .75" Lg GR5 - Low Profile RCF	XB-HHC-050-69	2	2
41	Cushion Foot Plate	LG0725	1	1
42	Cushion Foot Rubber	XB-LG0726	1	1
43	Bolt - Hex Head .63" -11 x 5.50"	XB-HHB-050-70	1	1
44	R.C.F. - DIA 10"	LG0718-01	1	1
	- DIA 12"	LG0740-01	1	1
	- 10" x 10"	LG0732-01	1	1
45	Self-Locking Nut - .63"-11"	XB-SP0012-10	1	1
48	Cushion Foot Pad - Low Profile RCF	728003	1	1
49	Interchangeable Collar - Low Profile RCF	730640	1	1
50	Interchangeable Strap	730638	1	1
51	Pin Groove, .31" Dia. x 2.00" Lg	XB-GP-052-52	-	1

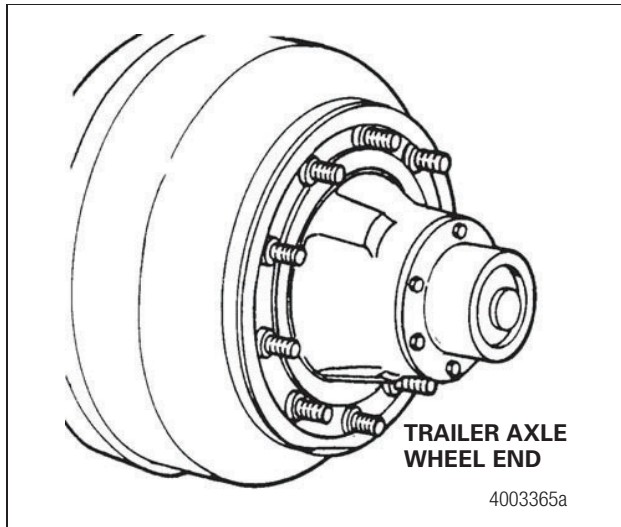
For technical assistance please go to [www.safholland.us](http://www.safholland.us) or call 800.876.3929

## LUBRICATION

### Wheel-End Lubrication

This section provides information on lubricating Meritor trailer axle wheel-ends with oil.

**Figure 14.2.**



**Figure 14.2**

### Oil Lubricated

1. The most common oils used in Meritor trailer axle wheel-ends have a designation of API-GL-5 (American Petroleum Institute – Gear Lubricant No. 5). This oil is also approved under military specification MIL-2105D. Refer to **Table L** in this section.
2. In addition to the GL-5 oils listed, oils with API grades GL-1, GL-2, GL-3 and GL-4 can also be used in trailer axle wheel-ends. These oils cannot be used in drive axles, or any application which employs hypoid, amboid, spiral, bevel, or planetary gearing.
3. Oil viscosity should be suitable for the climate in which the axle will be operated.
  - a. Low viscosity single grade gear oils, such as SAE 75W (Society of Automotive Engineers), should only be used in cold climates. Oil seals must be in excellent condition when using low viscosity oils to insure against loss of these thin fluids.
  - b. Multigrade oils, such as 80W/90, should be used where vehicles operate in both warm and cold climates.
4. Do not use thinning agents such as kerosene, gasoline, or other solvents that lower the viscosity of lubricants.
5. The recommended frequency of wheel-end oil changes depends on such factors as environment, speeds, and loads imposed on axle. For example, applications such as container chassis service put limited stress on wheel-end lubricant, allowing maintenance intervals to be extended. Other applications, such as off-highway dump trailer service, put severe stress on the wheel-end lubricant, requiring that maintenance be performed more frequently. The following information is therefore intended as a general guideline:
  - a. **General** – Change oil whenever it is contaminated or when wheel-end cavity is disrupted by removing spoke wheel or hub.
  - b. **Standard-Duty Service** – For standard-duty on-highway service, change oil every 100,000 miles or 12 months, whichever comes first.
  - c. **Heavy-Duty Service** – For heavy-duty on-highway, off-highway or combined on/off highway service, change oil every 30,000 miles or 6 months, whichever comes first.
6. Guidance for lubricating a wheel-end with approved gear oil (**Table L**) is as follows:
  - a. Coat bearing cones with oil.
  - b. Apply a light film of NLGI #1 or #2 **grease (not oil)** to axle spindle bearing journals to help protect them from fretting corrosion.

**Figure 14.3.**

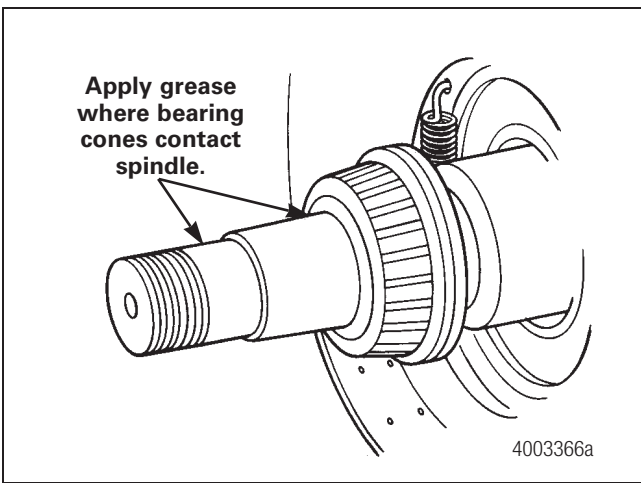


Figure 14.3



### CAUTION

It is important not to overfill the wheel-end cavity with lubricant. Wheel-end oil level should never exceed the middle of the hubcap. Also, make sure any excess oil is wiped away since it can contaminate brake linings and cause poor brake performance.

- c. Fill wheel-end with an approved gear oil to hubcap fill line. Note that oil must be given sufficient time to settle prior to final check of oil level. This is especially important in cold conditions. **Figure 14.4.**

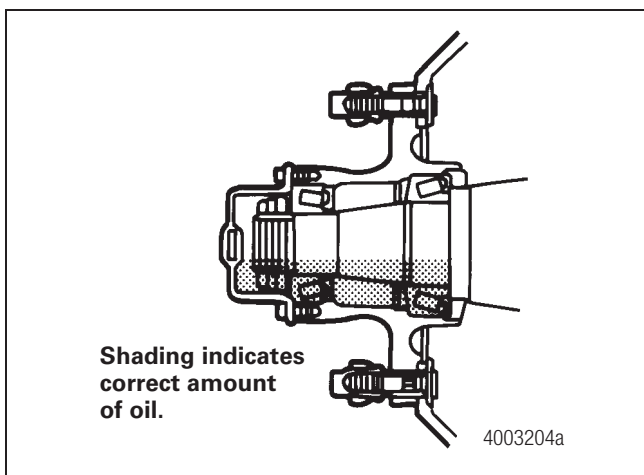


Figure 14.4

- 7. Inspect wheel-end oil level at least every 1,000 miles (1,600 km). To check, make sure vehicle is on level ground then clean hubcap window and observe oil level. Add lubricant if oil level is down more than 0.25 inch (6.3 mm) from fill line. **Figure 14.5.**

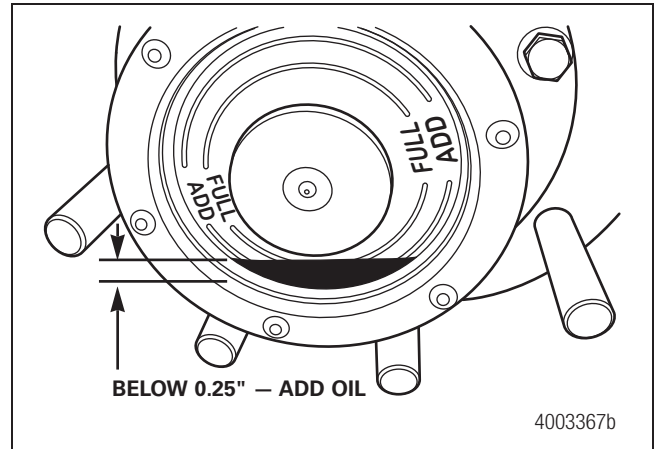
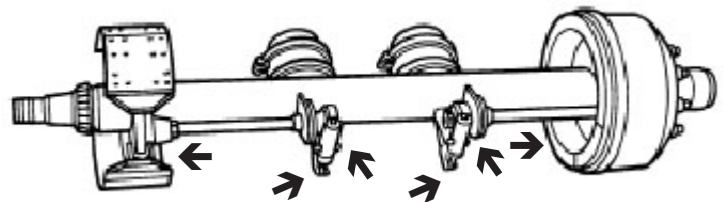


Figure 14.5

### Greasing the Axle

On each axle there are six grease zerks that need to be greased every six months or every 10,000 miles. The grease zerks are located by the arrows shown below.



### CAUTION

Make sure any excess grease or oil is wiped away since it can contaminate brake linings and cause poor brake performance. If necessary, clean the disc or the drum and replace contaminated linings.

### Ramp Hinges

Generously grease ramp hinges monthly. This will help to force moisture and dirt from the hinges.

## Conventional Trailer Axle Wheel-End Lubrication Intervals and Specifications

Table L: Conventional Trailer Axle Wheel-End Oil Change Intervals and Specifications

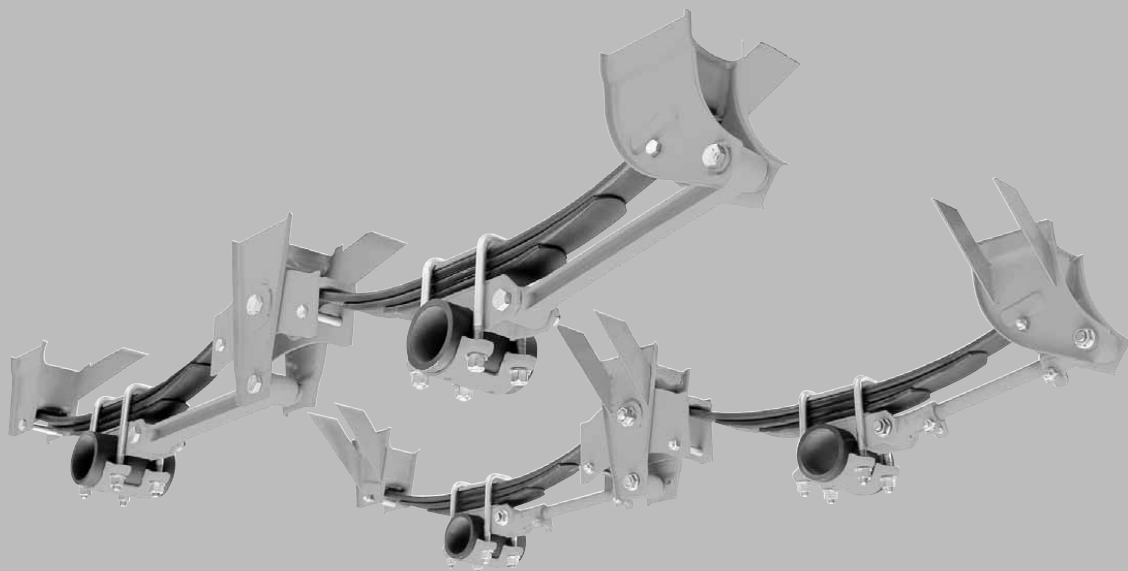
Check Oil Level	Oil Change*	Meritor Specification	Specification Approval	Oil Description	Outside Temperature			
					°F		°C	
					Min.	Max.	Min.	Max.
1,000 miles (1600 km)	<b>Linehaul and General Service:</b> For 100,000 miles (160 000 km) or more a year, change the oil every 100,000 miles (160 000 km). For less than 100,000 miles (160 000 km) a year, change the oil once a year.  <b>Heavy Service:</b> For 60,000 miles (96 000 km) or more a year, change the oil every 30,000 miles (48 000 km). For less than 60,000 miles (96 000 km) a year, change the oil every six months.  <b>Conditions That Require an Oil Change:</b> Change the oil if the wheel end is disturbed during wheel or hub removal or if the oil is contaminated.	O-76-A Gear Oil	MIL-PRF-210 5-E and SAE J2360	GL-5 SAE 85W/140	-10	None	-12	None
		O-76-D Gear Oil		GL-5 SAE 80W/90	-15	None	-26	None
		O-76-E Gear Oil		GL-5 SAE 75W/90	-40	None	-40	None
		O-76-J Gear Oil		GL-5 SAE 75W	-40	35	-40	2
		O-76-L Gear Oil		GL-5 SAE 75W/140	-40	None	-40	None
		O-76-M Full-Synthetic Gear Oil		GL-5 SAE 75W/140	-40	None	-40	None
		O-76-N Full-Synthetic Gear Oil		GL-5 SAE 75W/90	-40	None	-40	None
		O-81 Full-Synthetic Oil		SAE 50	-40	None	-40	None

\*The recommended oil change interval is based on operating conditions, mileage, speeds and loads. Limited service applications may allow the recommended interval to be increased. Severe or heavy service applications may require the recommended interval to be reduced. For more information, contact the Meritor OnTrac™ Customer Call Center at 866-668-7221.



# Installation and Maintenance Manual

## DuraLite<sup>®</sup> Series Mechanical Suspension



XL-MS175 Rev E



Contents	Page
Introduction .....	2
Warranty .....	2
Notes, Cautions, and Warnings .....	2
Section 1 – General Safety Instructions .....	3
Section 2 – Installation Preparation .....	3
Section 3 – Welding Standards .....	4
Section 4 – Trailer Frame Hanger Brackets Location .....	5
Under Mount Hanger Brackets Installation .....	6
Flange Mount Hanger Brackets Installation .....	7
Straddle Mount Hanger Brackets Installation .....	8
Side Mount Hanger Brackets Installation .....	9
Straddle/Under Mount Brackets Installation .....	10

Contents	Page
Section 5 – Weld Axle Seats to Axle(s) Instructions	
Overslung Axle Style .....	11
Underslung Axle Style .....	12
Section 6 – Leaf Springs and Torque Arms Assembly	
Overslung Axle Style .....	13
Underslung Axle Style .....	14
Section 7 – Axle Alignment .....	15
Section 8 – Final Inspection .....	15
Section 9 – Operating Recommendations .....	15
Section 10 – Maintenance Recommendations .....	16
Section 11 – Leaf Spring Selection .....	17
Section 12 – Mounting Height Spring Seat Selections .....	17

## Introduction

This manual provides you basic information necessary for the installation and maintenance of the DuraLite® suspension.

**IMPORTANT:** It is the responsibility of the installer to determine the proper location of the suspension on the frame, provide an adequate structure to support the suspension, ensure adequate clearances with other components, and to determine if the rated suspensions and axle capacity are adequate for the trailer applications.

## Warranty

Refer to the complete warranty for the country in which the product will be used. A copy of the written warranty is included with the product and can be found on the SAF-HOLLAND website ([www.safholland.us](http://www.safholland.us)).

## Notes, Cautions, and Warnings

You must read and understand all of the safety procedures presented in this manual before starting any work on the suspension.

Proper tools must be used to perform the maintenance and repair procedures described in this manual. Many of these procedures require special tools.

**NOTE:** In the United States, workshop safety requirements are defined by federal and/or state Occupational Safety and Health Act. Equivalent laws may exist in other countries. This manual is written based on the assumption that OSHA or other applicable employee safety regulations are followed by the location where work is performed.

**IMPORTANT:** Read this manual before using this product. Keep this manual in a safe location for future reference.



Failure to follow the instructions and safety precautions in this manual can result in death or serious injury.

Throughout this manual, you will notice the terms “NOTE”, “IMPORTANT”, “CAUTION”, and “WARNING” followed by important product information. So that you may better understand the manual, those terms are as follows:

**NOTE:** Includes additional information to enable accurate and easy performance of procedures.

**IMPORTANT:** Includes additional information that if not followed could lead to hindered product performance.



Used without the safety alert symbol, indicates a potentially hazardous situation which, if not avoided, could result in property damage.



Indicates a potentially hazardous situation which, if not avoided, could result in minor or moderate injury.



Indicates a potentially hazardous situation which, if not avoided, could result in death or serious injury.



### 1. General Safety Instructions

Read and observe all Warning and Caution hazard alert messages in this publication. They provide information that can help prevent serious personal injury, damage to components, or both.

**WARNING** Failure to properly support the vehicle and axles prior to commencing work could create a crush hazard which, if not avoided, could result in death or serious injury.

Please observe the following safety instructions in order to maintain the operational and road safety of the suspension system.

1. Only the wheel and tire sizes approved by the trailer builder may be used.
2. Before operating vehicle, ensure that the maximum permissible axle load is not exceeded and that the load is distributed equally and uniformly.
3. Observe the operating recommendation of the trailer manufacturer for off-road operation of the installed suspension.

**IMPORTANT:** The definition of OFF-ROAD means driving on non-asphalted/non-concreted routes, e.g. gravel roads, agricultural and forestry tracks, on construction sites and in gravel pits.

**IMPORTANT:** Off-road operation of suspensions beyond the approved application design could result in damage and impair suspension system performance.

4. All suspension systems require routine service, inspection and maintenance in order to maintain optimum performance and operational safety as well as an opportunity to recognize wear.
5. In the event of suspension component failure, quickly reduce speed as safely as possible and remove the vehicle from traffic. If unable to remove vehicle from traffic, follow DOT safety requirements regarding emergency situations.
6. Contact a qualified towing and/or service company to assist in repairing vehicle or to move it to a qualified repair facility.

We highly recommend the use of only SAF-HOLLAND Original Parts.

A list of SAF-HOLLAND technical support locations to supply SAF-HOLLAND Original Parts can be found at [www.safholland.us](http://www.safholland.us) or contact SAF-HOLLAND Customer Service at 888-396-6501.

Updates to this manual will be published as necessary online at [www.safholland.us](http://www.safholland.us).

### 2. Installation Preparation

The proper installation of the suspension is critical to assure trouble free operation. Before proceeding with suspension installation, check the tire size and trailer design to make sure that there is lateral tire clearance and a vertical tire clearance of at least 4-1/2" (114 mm) when the trailer is empty.

**WARNING** Failure to maintain tire clearance between tires and the nearest point of contact on the suspension or vehicle could cause fire or loss of vehicle control which, if not avoided, could result in death or serious injury.

Vertical tire clearance may be adjusted by using different height spring seats or high, medium or low arch springs. HOLLAND DuraLite suspensions are rated at 22,400 pounds (358,400 kg) GAWR (Gross Axle Weight Rating) with one, two or three leaf springs and 24,000 lbs. (384,000 kg) GAWR with heavy duty leaf springs. (SAF-HOLLAND does not supply springs.)

For leaf spring selection and mounting height information, refer to appropriate Table in Section 12. Check that adequate clearance is provided to all components of the trailer, including but not limited to tires, brakes and air lines.

**IMPORTANT:** The suspension hangers must be on the same centers as the spring seats and springs, within the tolerances shown. The springs must be square with the axles and located the same distance from the axle centerline within the tolerances shown.

**IMPORTANT:** Improperly installed suspension components can lead to the following trailer problems: trailer lean, improper tracking, premature tire wear and shortened suspension life.

**CAUTION** Failure to correctly install suspension components will reduce suspension performance which, if not avoided, could result in premature suspension failure.

### 3. Welding Standards

#### 3.1 Scope

Your SAF-HOLLAND suspension has been designed to be installed onto a trailer frame. When welding the suspension observe the requirements below. Customers may not weld on an SAF-HOLLAND suspension without our prior approval, including the application of the American Welding Society standards by SAF-HOLLAND engineering. This specification applies to all components supplied by SAF-HOLLAND, and its products. The customer assumes all responsibility for weld integrity if weld material and procedure differ from those listed below.

#### 3.2 Material

Frame attachment components made from low carbon or high strength alloy steel are to be welded with AWS filler metal specification AWS A5.18, filler metal classification ER-70S-3, ER-70S-6 or equivalent unless specified on the installation drawing.

**NOTE:** Any substitution for filler material from the above standard must comply, as a minimum, with the following mechanical properties:

Tensile Strength - 72k psi (496 MPa)  
 Yield Strength - 60k psi (414 MPa) o F (-17.7o C)  
 % Elongation - 22%

The recommended welding gas for gas metal arc welding (GMAW) is 90% Argon / 10% CO<sub>2</sub>. If a different gas is used, welds must comply with penetration requirements in shown below. Where the installation drawing specifies different than above, the drawing shall prevail.

#### 3.3 Procedures

Tack welds used for positioning components are to be located in the center of the final weld, where practical. Tack weld should be completely fused to the finish weld. DO NOT break arc at the end of the weld. Back up all finish welds at least 1/2" (12 mm) or a sufficient amount to prevent craters at the end of the weld. Where weld is shown to go around corners, it is assumed the corner represents a stress concentration area. DO NOT start or stop weld within 1" (25 mm) of the corner. Particular care should be taken to prevent undercutting in this area.

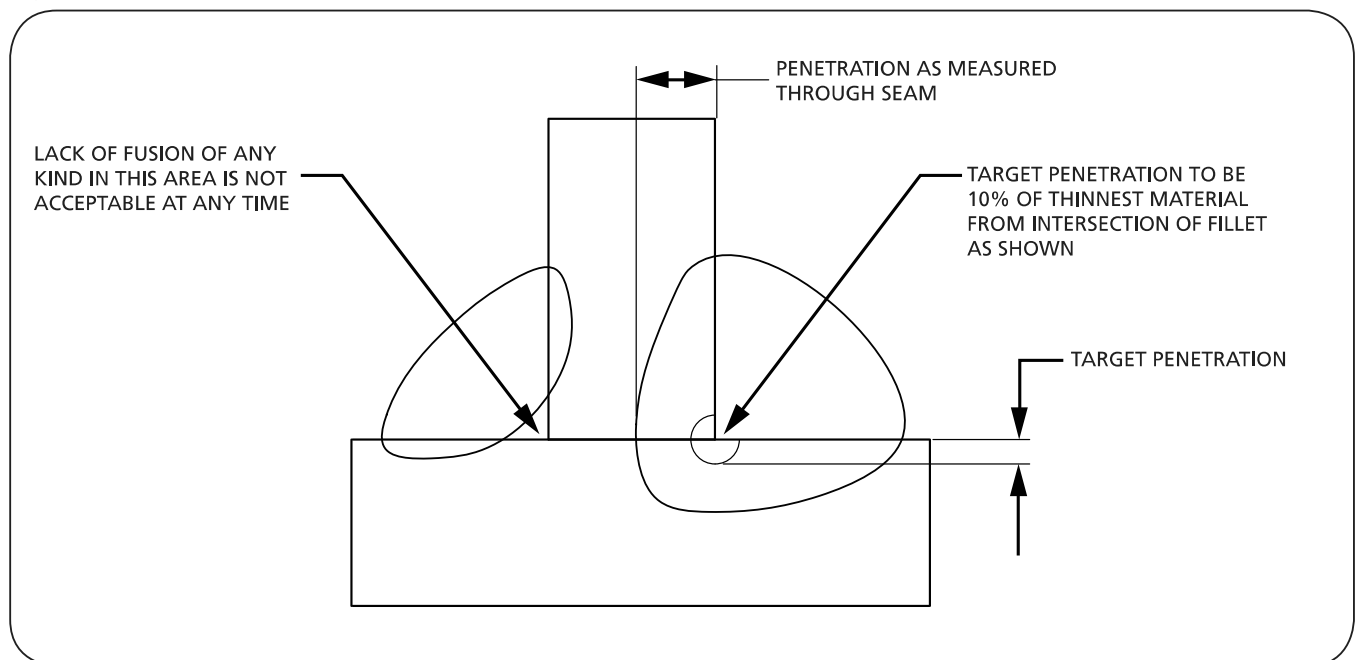
#### 3.4 Workmanship

It is the responsibility of the Customer to provide good workmanship when attaching components to the frame structure.

#### 3.5 Weld Size

If weld size is not specified, the effective throat of the weld must be a minimum of the thinnest material being welded (**Figure 1**).

Figure 1



## 4. Trailer Frame Hanger Brackets Location – All Styles

The DuraLite suspension is available in five hanger bracket mounting styles: under mount, flange mount, straddle mount, side mount and straddle/under mount. The DuraLite suspension may be used as a single axle, tandem axle or triple axle. The base suspension is the single axle – adding a multi-axle conversion kit converts the single axle to a tandem and a second multi-axle kit will make a triple axle suspension. The DuraLite suspension is available in overslung (axle below the spring) or underslung (axle above the spring) configuration.

**NOTE:** The following instructions for hanger bracket location apply to all hanger bracket styles listed above. After the hanger brackets have been properly located and tack welded to the trailer frame, proceed to the appropriate bracket type in this section for installation instructions.

1. Measure and mark hanger bracket locations on bottom of trailer frame referencing the dimensions provided for single axle (**Figure 2a**), tandem axle (**Figure 2b**) or triple axle (**Figure 2c**).

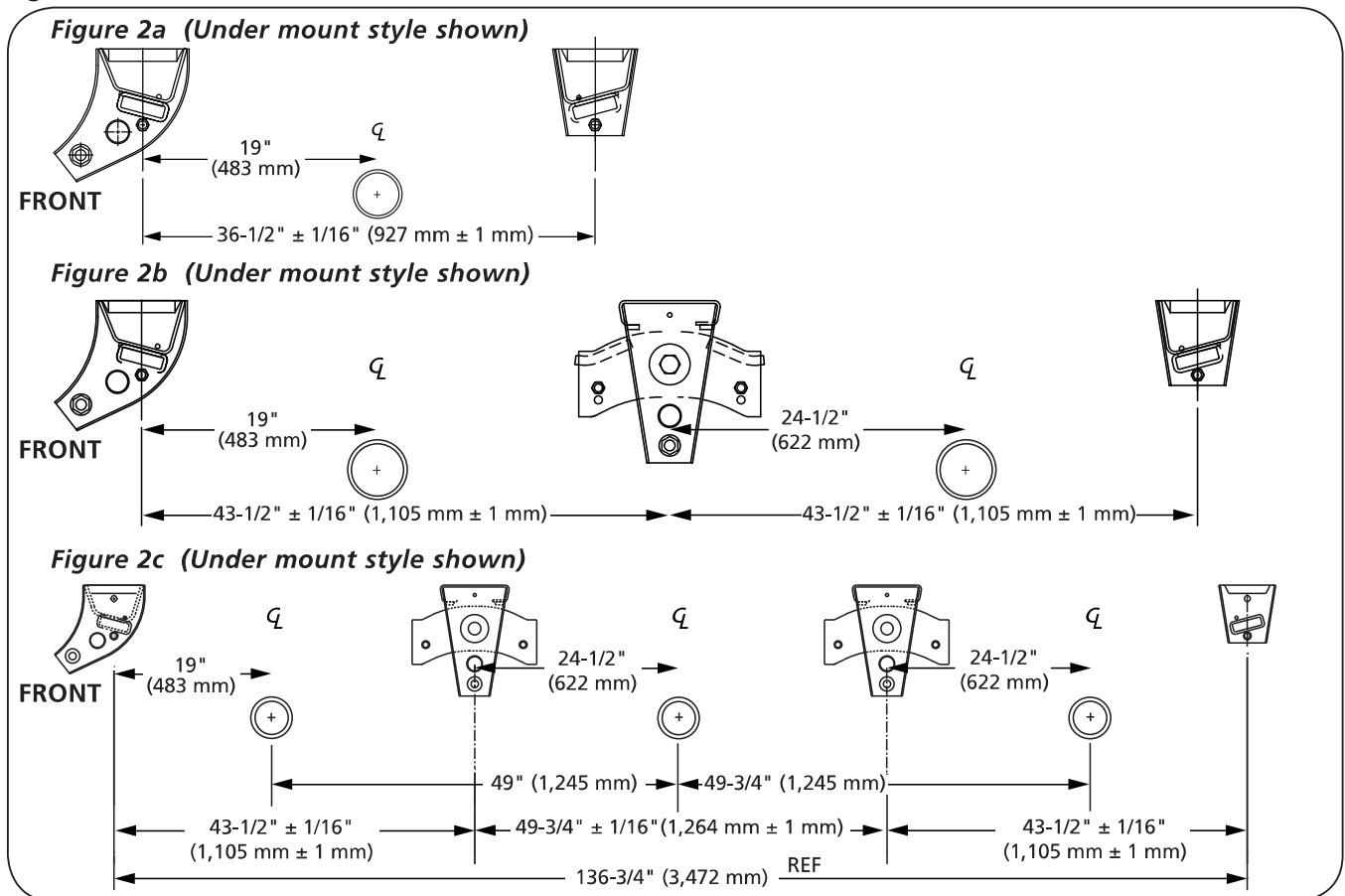
- Hanger spacing is always measured from center line to center line of hanger (**Figure 2**).
- The front and rear hangers are always located an equal distance from the center hanger and should not vary from dimension shown more than plus or minus 1/16" (1 mm).
- Hangers must be located on both sides of sub-frame in exactly the same distances from front and rear of trailer frame.
- Hangers on one side of sub-frame must not be in front of or behind corresponding hangers on other side of sub-frame by more than plus or minus 1/16" (1 mm).

**IMPORTANT:** Frame surface where hanger brackets are to be attached must be clean and free of any surface rust. Use wire brush or light-duty grinder to clean surface.

2. Position hanger brackets on frame according to location marks determined in Step 1. Position and tack weld all hangers in position and double check dimensions before completing welding of hangers (**Figure 2a, 2b and 2c**).

**IMPORTANT:** Hangers must be mounted in proper alignment with one another and must not be cocked or tilted in respect to the sub frame mounting surface.

Figure 2



Under Mount Hanger Brackets Installation

**NOTE:** For flange, straddle, sidemount or straddle/under style brackets installation, refer to specific instructions later in this section.

**IMPORTANT:** The under mount style hanger brackets must be located on the trailer frame to match the axle spring center (**Figure 3**).

1. Install a 1-1/4" schedule 40 pipe or 1.66 O.D. x .109 standard mechanical tubing through the front and center hangers. The pipe brace should be 6" (152 mm) longer than the spring

centers that will provide approximately 3" (76 mm) of pipe to protrude equally on each side. Tack weld the pipe brace in place (**Figure 3**).

2. Add 3/16" (4 mm) minimum diagonal braces between the front, center and rear hangers and the frame of the trailer (**Figure 3**).
3. Re-verify position of hanger and pipe bracket.
4. Weld the suspension hangers in place (**Figures 4a, 4b and 4c**). Weld the pipe braces and diagonal braces in place (**Figure 3**).

Figure 3

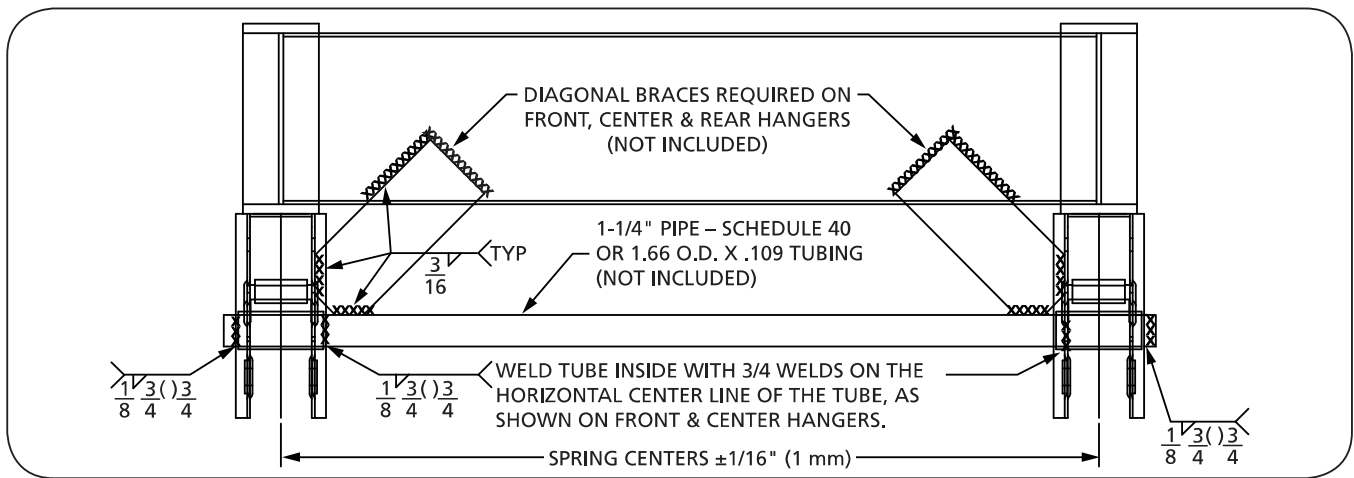
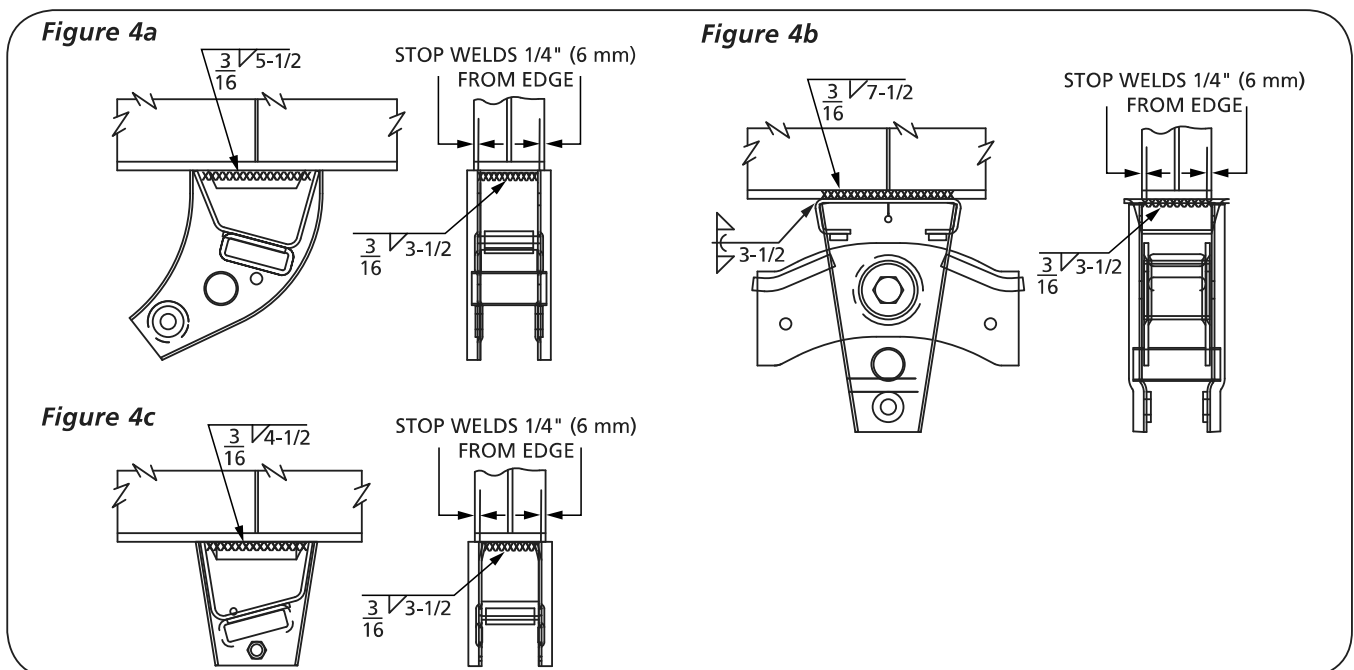


Figure 4



## Underslung Axle Style

**IMPORTANT:** The axle seats and bottom plates that are welded to the axle are compatible with all low hydrogen welding processes suitable for welding to steel axles.

1. The axle seats should be located on the spring centers within .06" (1 mm). The axle seats should be the same distance from the center of the axle within .03" (.7 mm). The camshaft should be oriented per the axle manufacturer's specification.

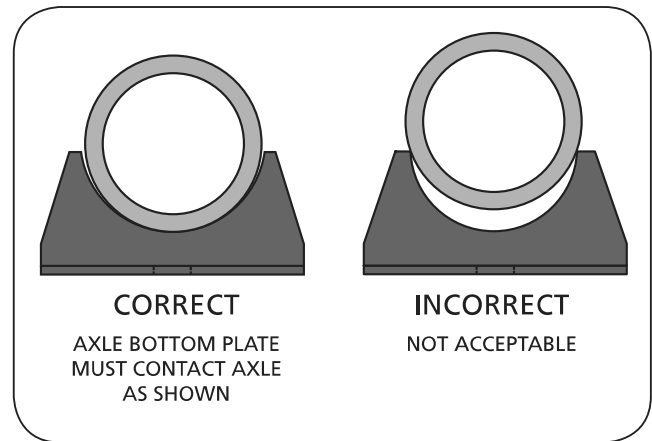
**NOTE:** When the cams are forward, the cam must be below the horizontal centerline when axle seats of 2" (51 mm) or shorter height are used.

2. Clamp the axle seats and bottom plates to the axle. The axle **MUST** contact the axle seat and bottom plate at the top and bottom center of the adapters or contact at least two points no more than 1-1/2" (38 mm) from center of the axle (**Figure 15**).
3. Verify correct connection. Using a .006" (0.15 mm) feeler gage be sure it is **NOT** able to slide between axle and spring seat or bottom plate more than 1/4" (6 mm) in contact area. If a greater gap is present, these parts may be clamped to the axle or adjusted to fit by grinding the axle seat.

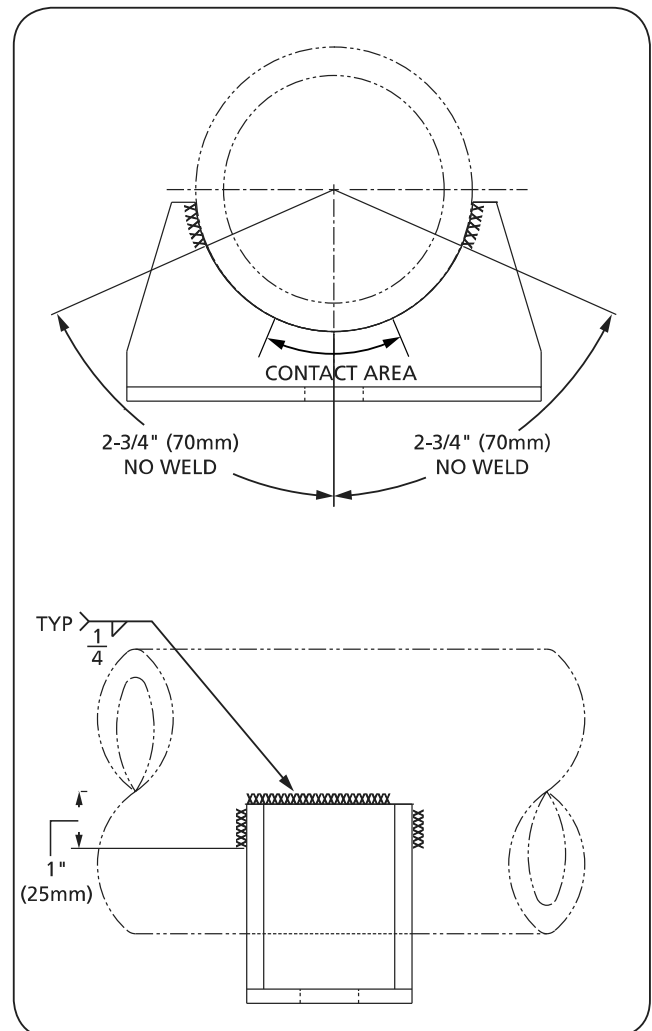
**⚠ WARNING** Failure to maintain tire clearance between tires and the nearest point of contact on the suspension or vehicle could cause fire or loss of vehicle control which, if not avoided, could result in death or serious injury.

4. Following the axle manufacturer's recommendations, weld the axle seats and bottom plates to the axles (**Figure 16**).

**Figure 15**



**Figure 16**



## Underslung Axle Style

**NOTE:** It is recommended that fasteners be installed with the nuts on the outside (closest to tires).

**NOTE:** Torque specifications are with clean lubricated/coated threads. All new SAF-HOLLAND fasteners come pre-coated from the factory.

## Torque Arms and Springs Installation

1. Assemble the springs. Position the supplied spring liner on top of the springs and set it on top of the axle spring seat (**Figure 9**). Place the top plate on top of the spring.
2. Install the springs to the axles with the appropriate U-bolts, nuts and washers.

**IMPORTANT:** On tandem axle suspensions the big hook end of the spring should be arranged to fit in the equalizer (**Figure 21a**). On single axle suspensions it should point to the rear (**Figure 21**). Arrange the springs so that they are on the correct centers  $\pm .03$ " (1 mm) and perpendicular to the axle.

3. Tighten the U-bolts to 275-300 ft.-lbs. (373-407 N•m) of torque using an alternating pattern (**Figure 20a**). Check the spring centers and adjust if necessary.

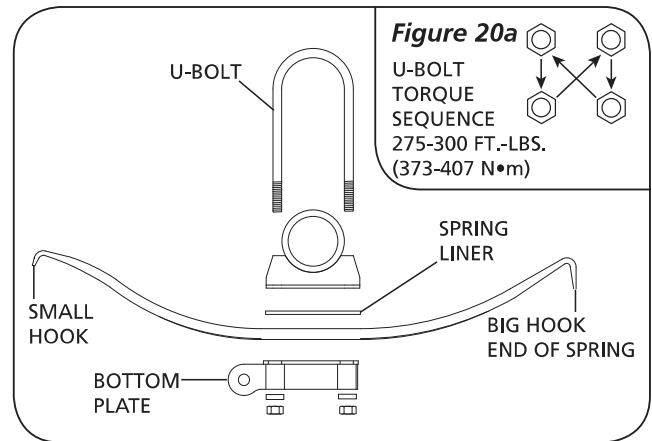
**CAUTION** DO NOT hit steel parts with a steel hammer as parts could break, sending flying steel fragments in any direction creating a hazard which, if not avoided, could result in minor to moderate injury.

4. Install the axles with springs into the suspension hangers. Install the 5/8" spring retainer bolts and spacers in the front and rear hangers, and the equalizer on tandem axles to hold the springs in place. Tighten 5/8" bolts to 35-50 ft.-lbs. (47.68 N•m) (**Figure 21**).

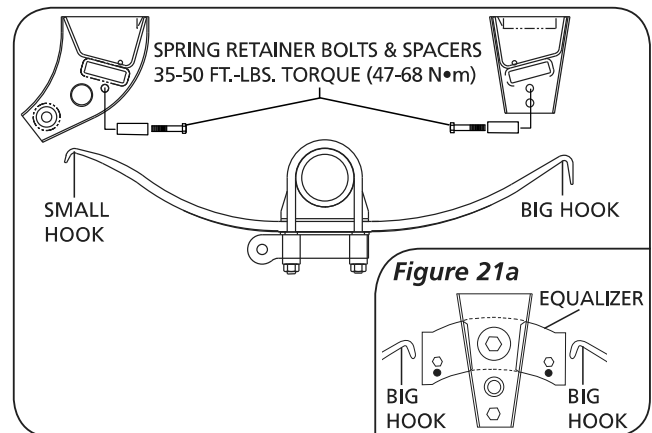
**IMPORTANT:** DO NOT overtighten as this may damage the spacers.

5. Install the torque arms between the hangers and the bottom plates on the axles. It is recommended that the adjustable torque arms be installed on the roadside and the fixed torque arms be installed on the curbside (**Figure 22**). Install the 7/8" nuts and bolts to secure the torque arms in place and torque to 275-300 ft.-lbs. (373-407 N•m) (**Figure 22**).
6. With the suspension installed, check that there is  $1/8" \pm 3/32"$  (3 mm  $\pm$  2 mm) clearance between the springs and the sides of the hangers and that all the springs are contacting the bottoms of the hangers (**Figure 22a**).
7. Position the decal, XL-MS189-01 in clear view on the roadside of the vehicle as close as practical to the suspension.

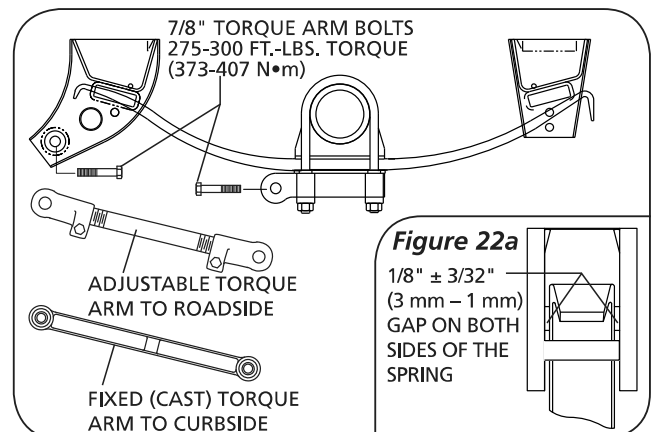
**Figure 20**



**Figure 21**



**Figure 22**





## 7. Axle Alignment

**IMPORTANT:** Axle alignment should always be done while the trailer is empty.

1. Pull the trailer in a straight line for a sufficient distance to ensure there are no binds in the suspension.
2. Engage the trailer park brakes.
3. Check that the ends of the springs are contacting the bottom wear pads in all hangers.
4. Loosen the 5/8" clamp bolts on the adjustable torque arms.
5. Disengage the trailer parking brakes and ensure the trailer is empty.
6. Manually measure or use an optical device specifically designed for alignment measuring to determine the following:
  - a. Measure the distance from the king pin to the centerline of the front axle spindles. It is recommended that spindle extensions be utilized.
  - b. Dimensions A and B (**Figure 23**) must be equal to within 1/8" (3 mm).
  - c. Measure the distance from the centerline of the front axle spindles to the centerline of the rear axle spindles.
  - d. Dimensions C and D (**Figure 23**) must be equal to within 1/16" (1 mm).
7. Tighten the clamp bolts on the adjustable torque arm to 85-95 ft.-lbs. (108-129 N•m) of torque.

## 8. Final Inspection

1. Verify that the hanger brackets to mounting sub-frame and axle seat welds have been completed per specifications, refer to Section 4.
2. Check all suspension fastener connections for proper torque settings (**Figures 25**).
3. Check adjustable torque arm clamp nuts to be certain that 85-95 ft.-lbs. (115-129 N•m) torque is maintained.
4. Check for proper suspension mounting height.
5. Check for proper 4-1/2" (114 mm) vertical tire clearance (**Figure 24**).
6. Verify that the front axle alignment does not exceed a maximum variation of 1/8" (3 mm) kingpin to front axle and a maximum variation of 1/16" (1 mm) axle to axle on any additional axles (**Figure 15**).

## 9. Operating Recommendations

1. Observe the operating recommendation of the trailer manufacturer for off-road operation of the installed axles, refer to Section 1.

Figure 23

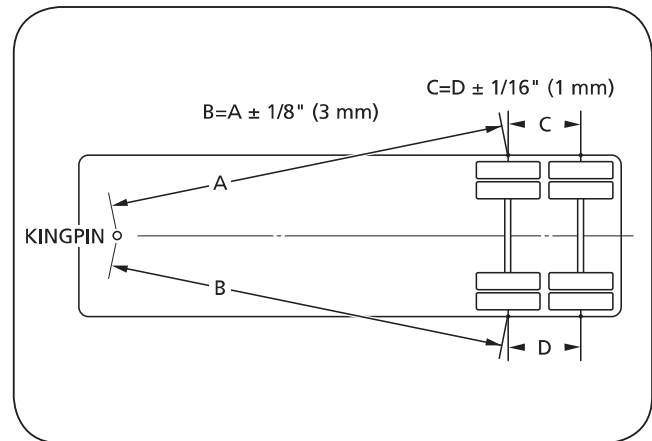
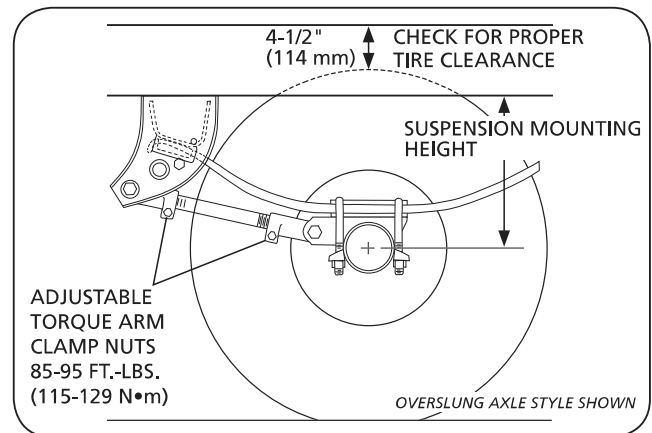


Figure 24



## 10. Maintenance

DuraLite® suspensions, by design, require a minimum of maintenance. However, suspensions in "over-the-road" operations require periodic checks to be certain of continued trouble free performance.

- After an initial loaded run-in period of at least 1,000 miles (1,609 km), re-check the trailer alignment and correct, if required.
- Daily or before each trip, check the suspension to be sure it is fully operational.
- Inspect all decals to ensure they are clearly legible and intact. Clean with a terry cloth towel, soap and water.
- Routine visual inspections and appropriate maintenance of suspension is required every six months or 25,000 miles (40, 234 km), whichever comes first.
- All fasteners, especially U-bolts (**Figure 25**), should be re-torqued to the following specifications.

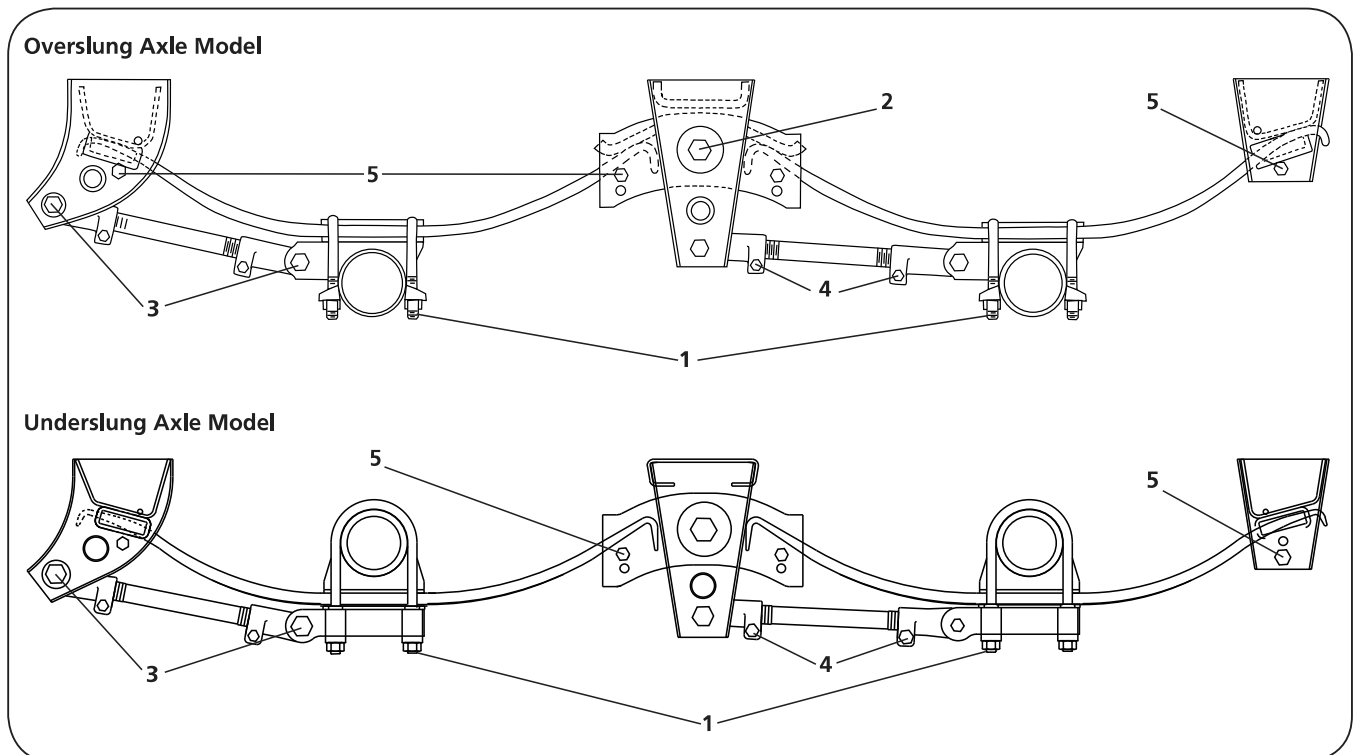
**NOTE:** Failure to maintain proper fastener torque values could result in suspension component damage and loss of vehicle control which, if not avoided, could result in death or serious injury.

**IMPORTANT:** The use of special lubricants with friction modifiers, such as Anti-Seize or Never-Seize, without written approval from SAF-HOLLAND Engineering, will void warranty and could lead to over torquing of fasteners or other component issues.

1. Check 3/4"-16 U-bolt nuts to be certain that 275-300 ft.-lbs. (373-407 N•m) torque is maintained.
2. Check 1-14" equalizer bolt to be certain that 450-500 ft.-lbs. (610-678 N•m) torque is maintained
3. Check 7/8"-14 torque arm bolts to be certain that 275-300 ft.-lbs. (373-407 N•m) torque is maintained.
4. Check adjustable torque arm clamp nuts to be certain that 85-95 ft.-lbs. (115-129 N•m) torque is maintained.
5. Check spring retainer bolts to be certain that 35-50 ft.-lbs. (47-68 N•m) torque is maintained.

**WARNING** Loose, damaged, or missing fasteners can cause loss of vehicle control which, if not avoided, could result in death or serious injury.

Figure 25





### 11. Leaf Spring Selection

**⚠ WARNING** Failure to maintain tire clearance between tires and the nearest point of contact on the suspension or vehicle could cause fire or loss of vehicle control which, if not avoided, could result in death or serious injury.

SAF-HOLLAND DuraLite suspensions are rated up to 25,000 lbs. (11,340 kg) GAWR with proper springs, axles and brakes. The following widely available SAF-HOLLAND leaf springs are suitable for use with DuraLite suspensions:

SPRING TYPE	SINGLE LEAF	TWO LEAF	THREE LEAF	THREE LEAF HD
Low Arch	SP0363	SP0326	SP0356	SP9365-01
Medium Arch	–	SP0325	SP0355	–
High Arch**	SP0360*	SP0324	SP0354	SP0365

\* Not approved for single axle applications.

\*\* SAF-HOLLAND does NOT recommend use of high arch springs in single axle applications.

**IMPORTANT:** It is the installer’s responsibility to select the correct mounting height. There should be 4-1/2" (114 mm) of vertical tire clearance with an unloaded vehicle. In addition, clearance must be provided at the side, front, and rear of the tires to prevent tire contact during suspension movement. The mounting heights, shown below, are nominal values and may vary due to variations in the leaf springs and other components.

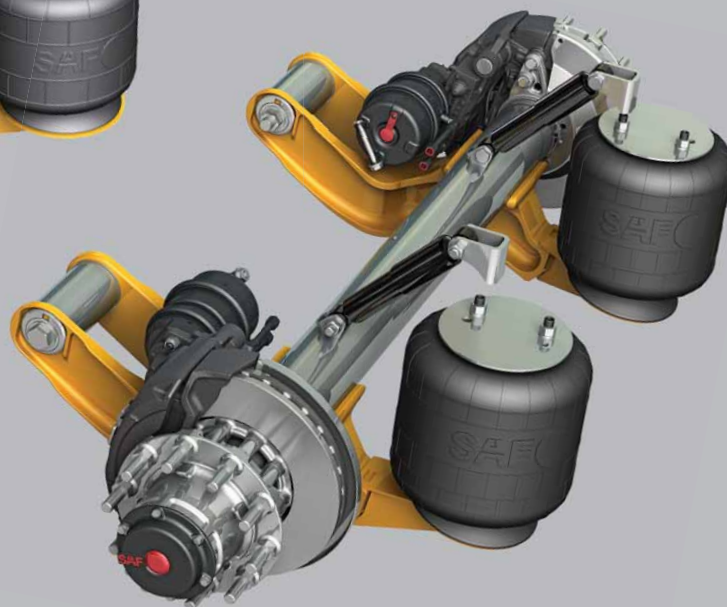
## Maintenance Manual

### CBu/CBXu and CBy/CBXY Series Fixed Frame Underslung and Yoke Mount Trailer Air Suspension

- For Disc and Drum Brake Applications



CBXU MODEL



CBXY MODEL

Contents	Page
Introduction.....	2
Warranty.....	2
Notes, Cautions, and Warnings .....	2
Section 1 – General Safety Instructions .....	3
Section 2 – CBU/CBXu Model Identification .....	4
Section 3 – CBU/CBXu Nomenclature.....	4
Section 4 – CBy/CBXy Model Identification.....	5
Section 5 – CBy/CBXy Nomenclature .....	5
Section 6 – Welding Standards .....	6
Section 7 – Ride Height Adjustment .....	7
Section 8 – Height Control Valve Inspection .....	8
Section 9 – Height Control Valve Performance Check.....	9
Section 10 – SwingAlign™ Axle Alignment.....	10
Section 11 – CBy/CBXy Alignment Instructions .....	11

Contents	Page
Section 12 – Brake Adjustment Instructions.....	12
Section 13 – Air Spring Replacement.....	13
Section 14 – Shock Absorber Replacement .....	14
Section 15 – CBU/CBXu Pivot Connection Bushings Replacement.....	15
Section 16 – CBy/CBXy Pivot Connection Bushings Replacement .....	16
Section 17 – Equalizing Beam and Axle Assembly Replacement .....	21
Section 18 – CBU/CBXu Frame Bracket Replacement.....	23
Section 19 – SwingAlign™ Align Replacement .....	25
Section 20 – Torque Specifications .....	28
Section 21 – Routine Maintenance and Daily Inspection.....	29
Section 22 – Troubleshooting .....	30

## Introduction

This manual provides the necessary information for the maintenance of the SAF® CBU/CBXu and CBy/CBXy fixed frame underslung trailer air suspension.

The CBXu and CBXy suspension includes a premium 5.75" diameter axle. The CBU and CBy suspensions include a standard 5.00" diameter axle. For axle end and/or brake servicing information or component replacements, refer to Drum Brake Manual XL-TA100060M-en-US, Disc Brake Manual XL-SA100590M-en-US or contact Customer Service at 888-396-6501.

Read this manual before using or servicing this product and keep it in a safe location for future reference. Updates to this manual, which are published as necessary, are available on the internet at [www.safholland.us](http://www.safholland.us).

When replacement parts are required, SAF-HOLLAND® highly recommends the use of only SAF-HOLLAND® Original Parts. A list of technical support locations that supply SAF-HOLLAND® Original Parts and an Aftermarket Parts Catalog are available on the internet at [www.safholland.us](http://www.safholland.us) or contact Customer Service at 888-396-6501.

## Warranty

Refer to the complete warranty for the country in which the product will be used. A copy of the written warranty is included with the product or available on the internet at [www.safholland.com](http://www.safholland.com).

## Notes, Cautions, and Warnings

Before starting any work on the unit, read and understand all the safety procedures presented in this manual. This manual contains the terms "NOTE", "IMPORTANT", "CAUTION", and "WARNING" followed by important product information. These terms are defined as follows:

**NOTE:** Includes additional information to enable accurate and easy performance of procedures.

**IMPORTANT:** Includes additional information that if NOT followed could lead to hindered product performance.

**CAUTION** Used without the safety alert symbol, indicates a potentially hazardous situation which, if not avoided, could result in property damage.

**⚠ CAUTION** Indicates a potentially hazardous situation which, if not avoided, could result in minor or moderate injury.

**⚠ WARNING** Indicates a potentially hazardous situation which, if not avoided, could result in death or serious injury.

## 1. Safety Instructions

### General and Servicing Safety Instructions

- Read and observe all Warning and Caution hazard alert messages. The alerts provide information that can help prevent serious personal injury, damage to components, or both.

**▲WARNING** Failure to follow the instructions and safety precautions in this manual could result in improper servicing or operation leading to component failure which if not avoided could result in death or serious injury.

- All maintenance should be performed by a properly trained technician using proper/special tools, and safe procedures.

**NOTE:** In the United States, workshop safety requirements are defined by federal and/or state Occupational Safety and Health Act (OSHA). Equivalent laws may exist in other countries. This manual is written based on the assumption that OSHA or other applicable employee safety regulations are followed by the location where work is performed.

- Properly support and secure the vehicle from unexpected movement when servicing the unit.

**▲WARNING** Failure to properly support and secure the vehicle and axles prior to commencing work could create a crush hazard which, if not avoided, could result in death or serious injury.

- If possible, unload the trailer before performing any service procedures.
- After pre-positioning the brake chamber, slack adjuster and/or ABS system as instructed in this manual, always consult the manufacturer's manual for proper operation.
- Service both roadside and curbside of an axle. Worn parts should be replaced in sets. Key components on each axle's braking system, such as friction material, rotors and drums will normally wear over time.
- Follow all manufacturer's instructions on spring pressure and/or air pressure controls.

**▲WARNING** Failure to follow manufacturer's instructions regarding spring pressure or air pressure control could allow unexpected release of energy which, if not avoided, could result in death or serious injury.

- DO NOT paint the wheel contact surfaces between the wheel and hub.

**IMPORTANT:** The wheel contact surfaces MUST be clean, smooth and free from grease.

**▲WARNING** Failure to keep wheel and hub contact surfaces clean and clear of foreign material could allow wheel/hub separations which, if not avoided, could result in death or serious injury.

- Only the wheel and tire sizes approved by the trailer builder can be used.

### Operational and Road Safety Instructions

- Before operating vehicle, ensure that the maximum permissible axle load is not exceeded and that the load is distributed equally and uniformly.

- Make sure that the brakes are NOT overheated from continuous operation.

**▲WARNING** Failure to minimize the use of brakes during overheating conditions could result in deterioration of brake efficiency which, if not avoided could result in death or serious injury.

- The parking brake MUST NOT be immediately applied when the brakes are overheated.

**CAUTION** If the parking brake is immediately applied to the brakes when overheated, the brake drums or discs could be damaged by different stress fields during cooling.

- Observe the operating recommendation of the trailer manufacturer for off-road operation of the installed axles.

**IMPORTANT:** The definition of OFF-ROAD means driving on non-asphalt/non-concrete routes, e.g. gravel roads, agricultural and forestry tracks, on construction sites and in gravel pits.

**IMPORTANT:** Off-road operation of axles beyond the approved application design could result in damage and impair suspension system performance.

- Follow the recommended routine maintenance and inspections described in this manual. These procedures are designed so that optimum performance and operational safety are achieved.
- In the event of suspension air pressure loss, quickly reduce speed as safely as possible and remove the vehicle from traffic. If unable to remove vehicle from traffic, follow DOT safety requirements regarding emergency situations.
- Contact a qualified towing and/or service company to assist in repairing the vehicle or to move it to a qualified repair facility. DO NOT operate the vehicle in the absence of suspension air pressure; however in the event of an air system failure while in service, an internal rubber bumper built into the air spring will make it possible to temporarily operate the vehicle at reduced speed determined by road conditions.

**▲WARNING** Operating the vehicle without proper air pressure can cause tire failure, fire, or loss of vehicle control which, if not avoided could result in death or serious injury.

## 2. CBU/CBXu Model Identification

The CBU/CBXu suspension serial tag is located on the frame bracket (**Figure 1**).

**NOTE:** If the suspension serial tag is NOT legible or is NOT available, the suspension model can be identified by the appearance of the equalizing beam. The CBU/CBXu model will have a cast beam with a lower air spring mounting plate welded to it (**Figure 1**).

**NOTE:** This manual applies to the suspension models listed on the front cover. However, we urge you to determine the specific model number, write that information below and refer to it when obtaining information or replacement parts (**Figure 2**).

**NOTE:** CBU comes with the standard 5" diameter axle and the CBXu comes with the premium 5.75" diameter axle. (**Figure 3**).

## 3. CBU/CBXu Model Nomenclature

The sample tag shown will help interpret the information on the SAF-HOLLAND®, Inc. serial number tag. The part number is on the first line. The model number along with the suspension capacity are on the second line. The third line contains the serial number (**Figure 2**).

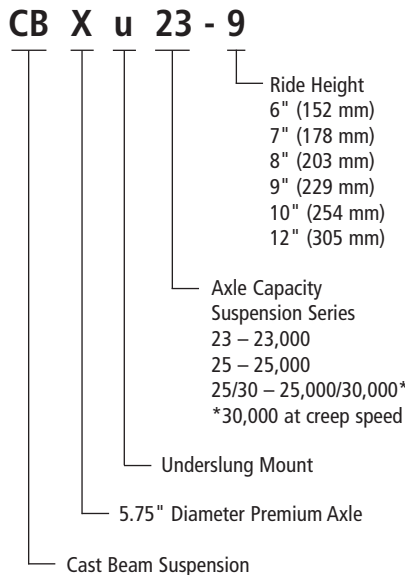


Figure 1

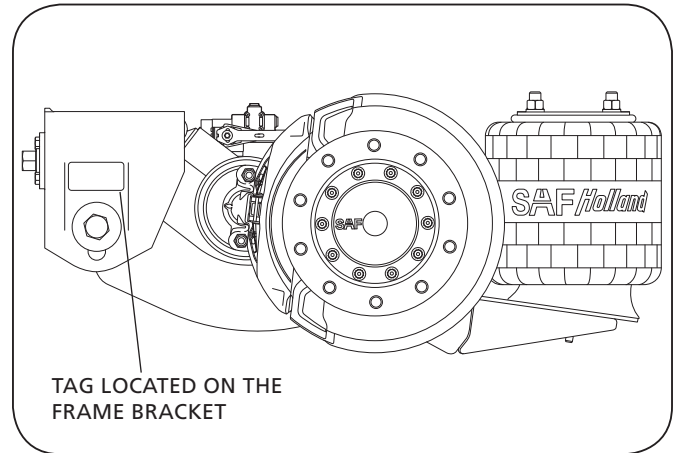


Figure 2

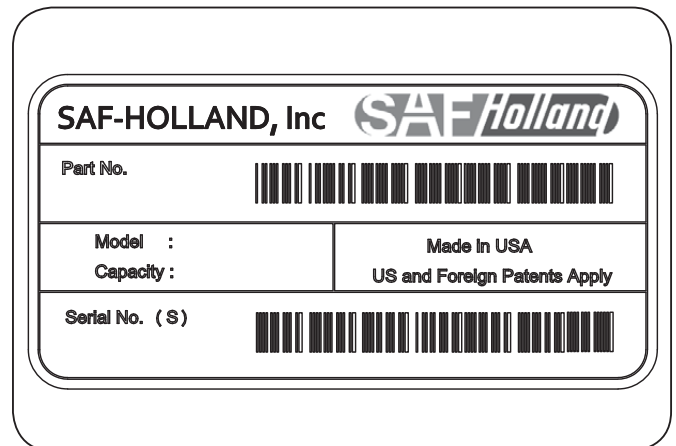
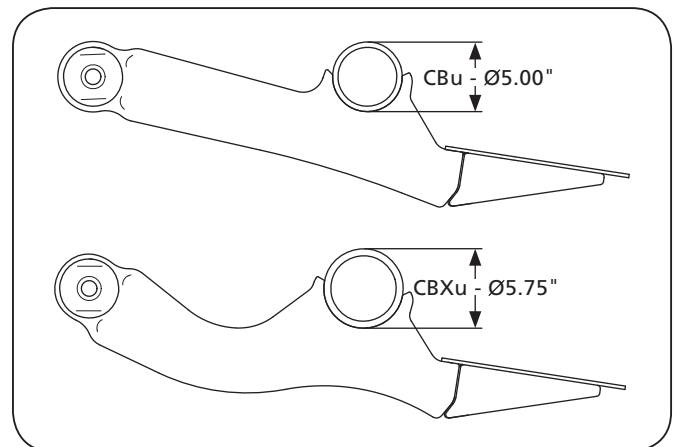


Figure 3



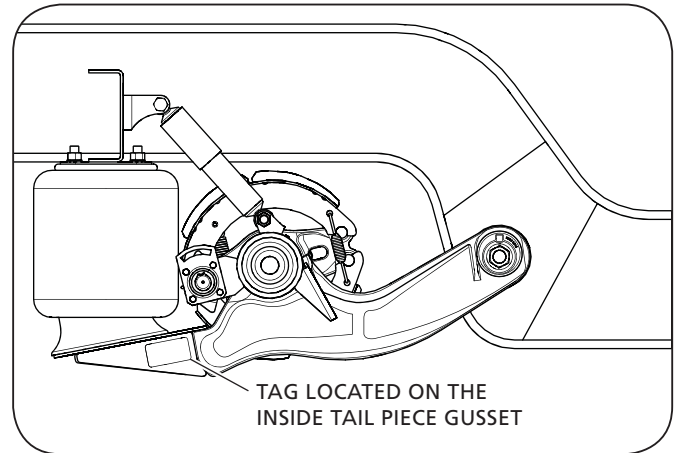
### 4. CBy/CBxY Model Identification

The CBy/CBxY suspension serial tag is located on the inner gusset of the roadside beam (**Figure 4**).

**NOTE:** If the suspension serial tag is NOT legible or is NOT available, It can be identified by the appearance of the equalizing beam. The CBy/CBxY model will have a cast beam with a lower air spring mounting plate welded to it (**Figure 4**).

**NOTE:** This manual applies to the suspension models listed on the front cover. However, we urge you to determine the specific model number, write that information below and refer to it when obtaining information or replacement parts (**Figure 5**).

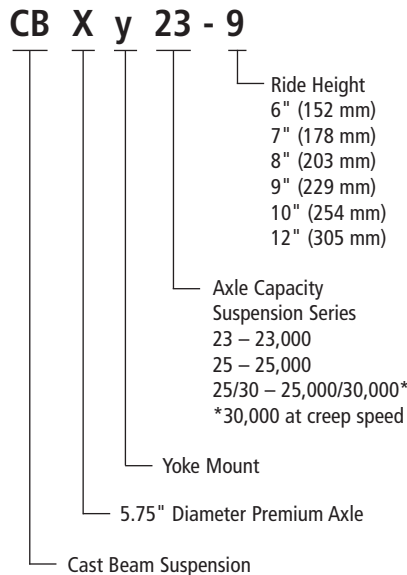
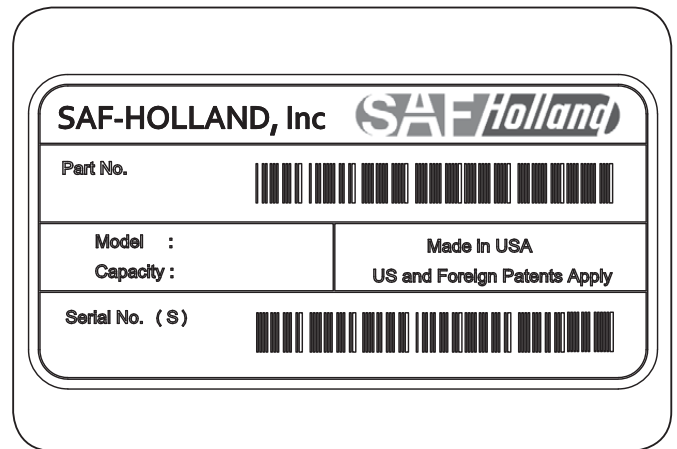
Figure 4



### 5. CBy/CBxY Model Nomenclature

The sample tag shown will help interpret the information on the SAF-HOLLAND®, Inc. serial number tag. The part number is on the first line. The model number along with the suspension capacity are on the second line. The third line contains the serial number (**Figure 5**).

Figure 5





## 6 Welding Standards

### 6.1 Scope

When welding is required for the suspension repairs, observe the requirements below. This specification applies to all components supplied by SAF-HOLLAND®, and its products. The customer assumes all responsibility for weld integrity if weld material and procedure differ from those listed below.

### 6.2 Workmanship

All welding on SAF-HOLLAND® products MUST be performed by a welder qualified according to the appropriate AWS standard for the weld being made or an equivalent standard. It is the responsibility of the customer to provide good workmanship when welding on SAF-HOLLAND® products.

### 6.3 Material

Items to be welded that are made from low carbon or high-strength alloy steel are to be welded with AWS filler metal specification AWS A5.18, filler metal classification ER-70S-3, ER-70S-6 or equivalent unless specified on the installation drawing.

**NOTE:** Any substitution for filler material from the above standard MUST comply, as a minimum, with the following mechanical properties:

Tensile Strength - 72k psi (496 MPa)

Yield Strength - 60k psi (414 MPa)

Charpy V Notch - 20 ft.-lbs. (27 N•m) at 0°F (-17.7°C)

% Elongation - 22%

The recommended welding gas for gas metal arc welding (GMAW) is 90% Argon / 10% CO<sub>2</sub>. If a different gas is used, welds MUST comply with penetration requirements illustrated (**Figure 6**). Where the installation drawing specifies different than above, the drawing shall prevail.

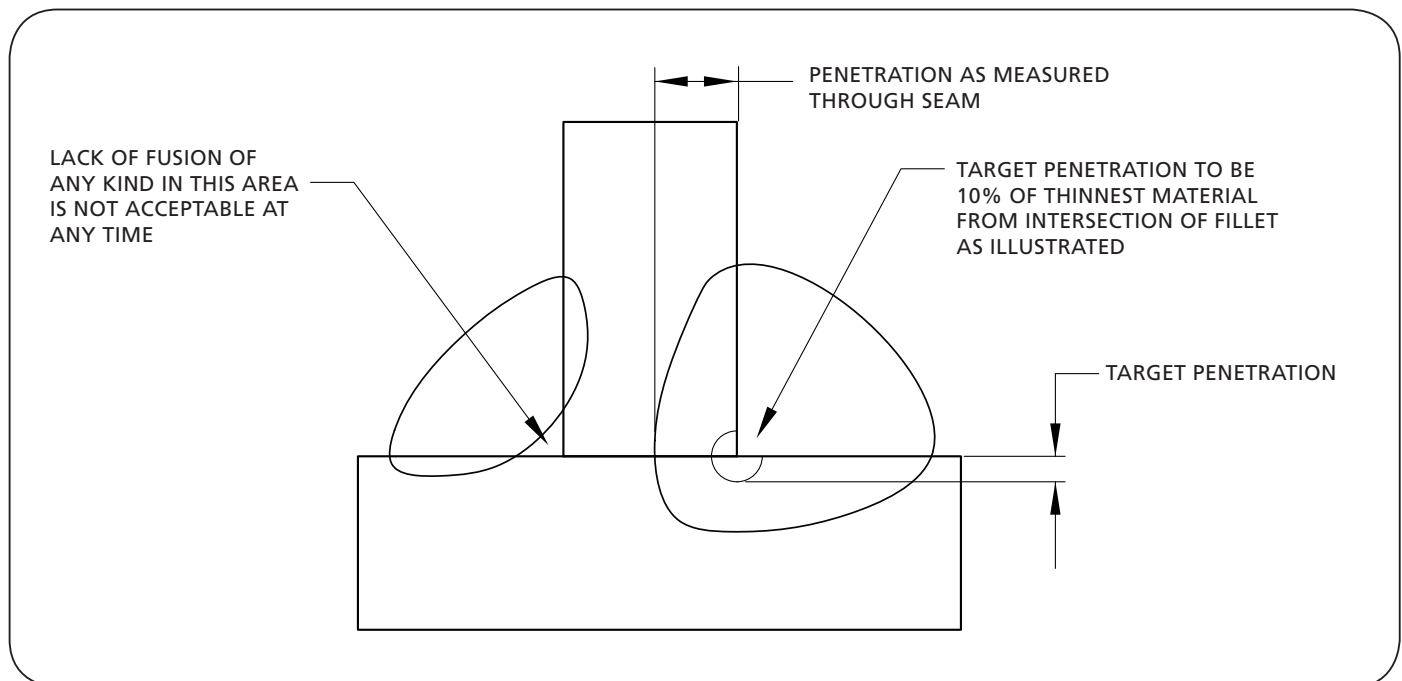
### 6.4 Procedures

Tack welds used for positioning components are to be located in the center of the final weld, where practical. Tack weld should be completely fused to the finish weld. DO NOT break arc at the end of the weld. Back up all finish welds at least 1/2" (12.7 mm) or a sufficient amount to prevent craters at the end of the weld. Where weld is illustrated to go around corners, it is assumed the corner represents a stress concentration area. DO NOT start or stop weld within 1" (25.4 mm) of the corner. Particular care should be taken to prevent undercutting in this area.

### 6.5 Weld Size

If weld size is NOT specified, the effective throat of the weld MUST be no smaller than the thinnest material being welded (**Figure 6**).

Figure 6



## 7. Ride Height Adjustment

**NOTE:** Yoke mount suspensions DO NOT receive a height control valve.

**IMPORTANT:** Trailer MUST be unloaded before beginning any service procedures.

1. On a level surface, support the front of the trailer with either a kingpin stand, landing gear, or while coupled to a tractor (**Figure 7**).
2. Raise the trailer frame approximately 2" (51 mm) above the suspension's specified ride height (**Figure 8**).
3. Place multiple jack stands at the suspension's specified ride height (**Table 1**) under the vehicle frame at OEM specified locations, then lower the trailer onto the jack stands.

**NOTE:** It may be necessary to shim jack stands to achieve specified ride height.

**⚠ WARNING** Failure to properly support the suspension during maintenance could create a crush hazard which, if not avoided, could result in death or serious injury.

**Table 1**

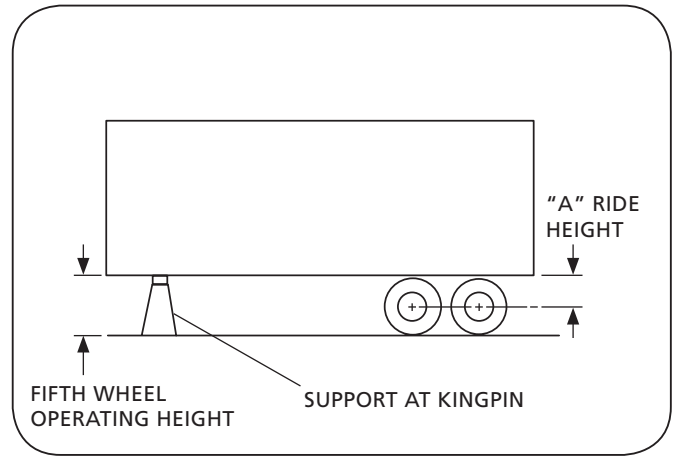
MODEL		"A" RIDE HEIGHT
CBu/CBXu-6	CBy/CBXy-6	6"
CBu/CBXu-7	CBy/CBXy-7	7"
CBu/CBXu-8	CBy/CBXy-8	8"
CBu/CBXu-9	CBy/CBXy-9	9"
CBu/CBXu-10	CBy/CBXy-10	10"
CBu/CBXu-12	CBy/CBXy-12	12"

4. Exhaust all air from the suspension, set parking brakes, and chock the wheels.

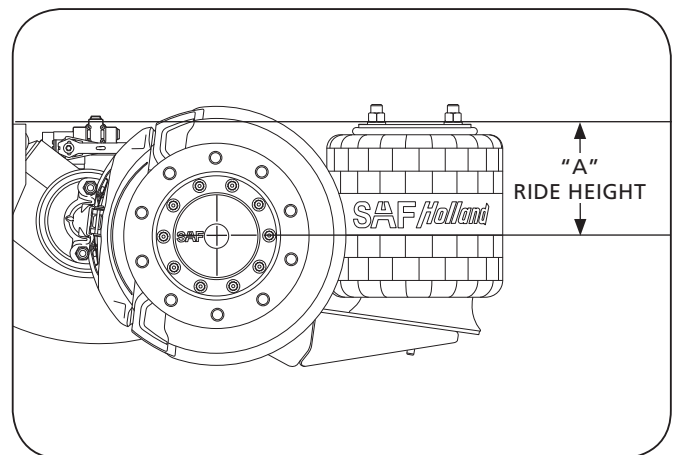
**⚠ WARNING** Failure to exhaust the suspension air and chock the tires prior to beginning maintenance could allow vehicle movement which, if not avoided, could result in death or serious injury.

5. Disconnect the linkage from the control arm and lower axle mounting bracket (**Figure 9**).
6. Pin the height control valve so that the valve arm is in the center or neutral position (**Figure 9**).

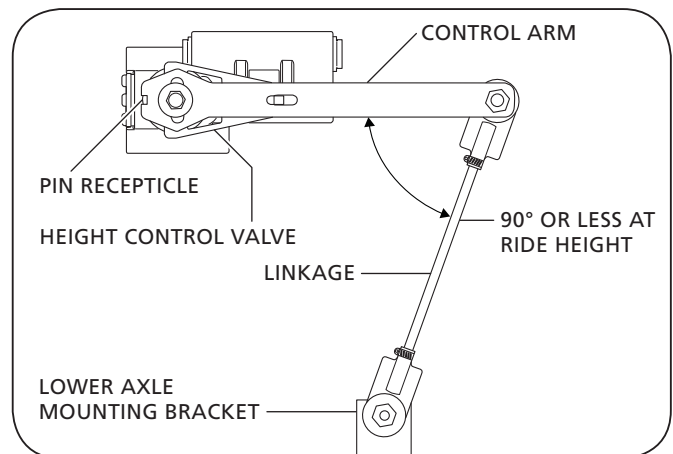
**Figure 7**



**Figure 8**



**Figure 9**



7. Measure distance "B" between the valve arm and mounting bracket holes to determine linkage length (**Figure 10**).
8. Adjust linkage to required length and install the hardware into the upper and lower connections (**Figure 10**). Torque hardware to 30-40 in.- lbs. (3-5 N•m)

**NOTE:** It may be necessary to cut linkage rod to achieve proper length. Be sure to de-burr rod to prevent link end damage.

9. Raise the trailer approximately 2" (51mm) above ride height and remove jack stands.
10. Slowly lower the trailer so that the trailer suspension is fully collapsed.
11. Pull the pin and apply air to the trailer, allowing the suspension to return to ride height.
12. With the suspension at rest, measure the ride height. Ride height **MUST** be within 1/4" (6.4 mm) of the suspensions specified ride height.
13. Remove wheel chocks.

## 8. Height Control Valve Inspection

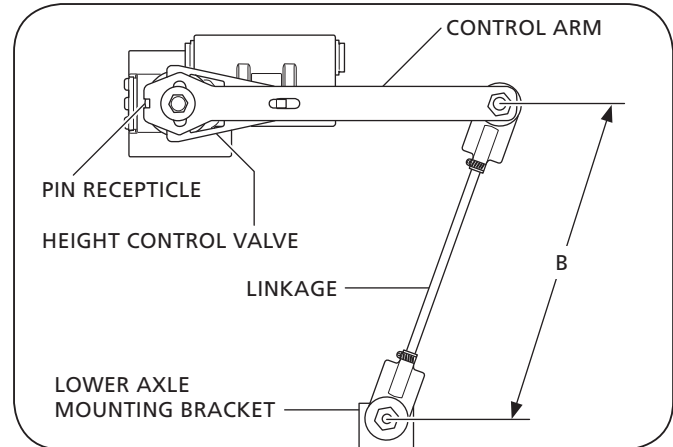
**IMPORTANT:** DO NOT grease height control valve.

1. Visually inspect the valve and linkage on a monthly basis for proper clearance, operation and adjustment.
2. Drain moisture from air tank periodically. In severe cold weather an air dryer and/or an alcohol evaporator is recommended to avoid valve freezing and damage.
3. Ensure air system is free of dirt and foreign particles as they may harm the valve.

### **CAUTION**

Failure to maintain the air system could compromise the suspension performance which, if not avoided, could result in property damage.

**Figure 10**



## 9. Height Control Valve Performance Check

**IMPORTANT:** Proper inspection can eliminate unnecessary replacement of height control valve.

1. Apply air system pressure in excess of 85 psig (5.9 bars).
2. Using multiple jack stands support the vehicle frame approximately 2" (51 mm) below ride height at OEM specified locations.

**⚠ WARNING** Failure to properly support the suspension during maintenance could create a crush hazard which, if not avoided, could result in death or serious injury.

3. Disconnect the lower connection of the link assembly from mounting bracket.
4. Move the control arm up 45° for 10-15 seconds – air should flow to air spring(s) (**Figure 11**).
5. Move the control arm to center (neutral) position – valve should shut off air flow (**Figure 11**).
6. Move the control arm down 45° for 10-15 seconds – air should exhaust (**Figure 11**).
7. Move the control arm to center (neutral) position – valve should shut off air flow.

**NOTE:** The valve is operating correctly if it performs as described in Steps 4-7 above.

8. If the valve DOES NOT perform correctly, replace the valve.

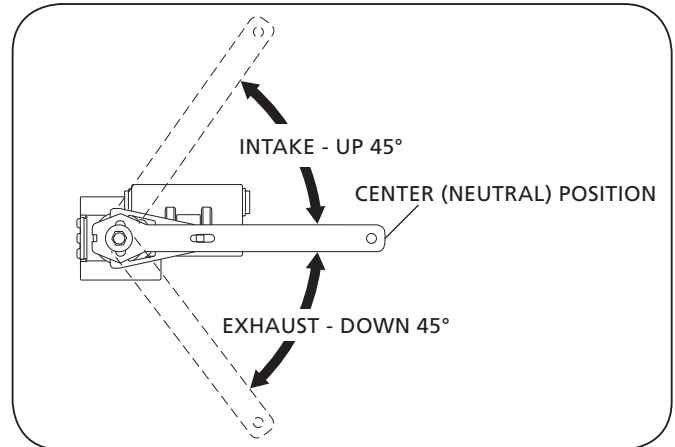
**⚠ CAUTION** Failure to replace a defective valve will compromise suspension performance which, if not avoided, could result in suspension damage.

9. Reconnect the lower link assembly to mounting bracket, and torque to 30-40 in.- lbs. (3-5 N•m).

**IMPORTANT:** If 85 psig (5.9 bars) air system pressure cannot be achieved, check pressure protection valve and vehicle air compressor to see if they are operating properly. Also, check the air lines for obstructions caused by dirt particles, foreign debris, ice, etc.

10. Remove the jack stands.

**Figure 11**



## 10. SwingAlign™ Axle Alignment

### 10.1 Alignment Preparation

1. Pull the trailer in a straight line for a sufficient distance to ensure there are no binds in the suspension.
2. Disengage the trailer parking brakes and it is recommended that the trailer be empty.
3. Manually measure or use an optical device specifically designed for the alignment measuring to determine the following:
  - a. Measure the distance from the king pin to the centerline of the front axle spindles. It is recommended that spindle extensions be utilized.
  - b. Dimensions A and B (**Figure 12**) MUST be equal to within 1/8" (3 mm).
  - c. Measure the distance from the centerline of the front axle spindles to the centerline of the rear axle spindles.
  - d. Dimensions C and D (**Figure 12**) MUST be equal to within 1/16" (1 mm).

### 10.2 Alignment Instructions

1. Using the measurements from Step 3, align each axle. Align by rotating the alignment bolt head using a 1-3/8" socket wrench on the front face of the roadside frame bracket. Rotate clockwise to move axle forward (**A arrows**); counterclockwise to move axle rearward (**B arrows**) (**Figure 13**). Approximately 250 ft.-lbs. (339 N•m) will be required.

**IMPORTANT:** DO NOT loosen the pivot bolts.

**IMPORTANT:** Two (2) scribe lines on the side of the frame bracket indicate maximum adjustment for axle alignment. If the edge of the visible washer touches either scribe line, the SwingAlign™ axle alignment adjustment is "out of stroke." Inspect and repair trailer components as necessary and realign. (**Figure 14**).

**IMPORTANT:** The SwingAlign™ design maintains proper alignment without welding or without loosening of the pivot connection. DO NOT weld alignment bolt or pivot bolts (**Figure 14**). If connection requires tightening, refer to Section 20 Torque Specifications.

Figure 12

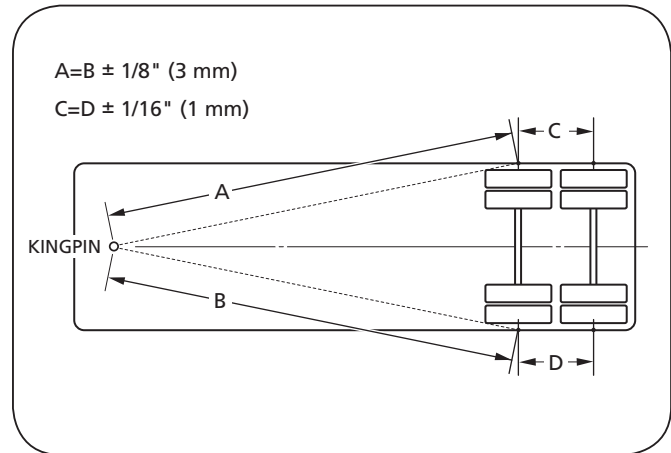


Figure 13

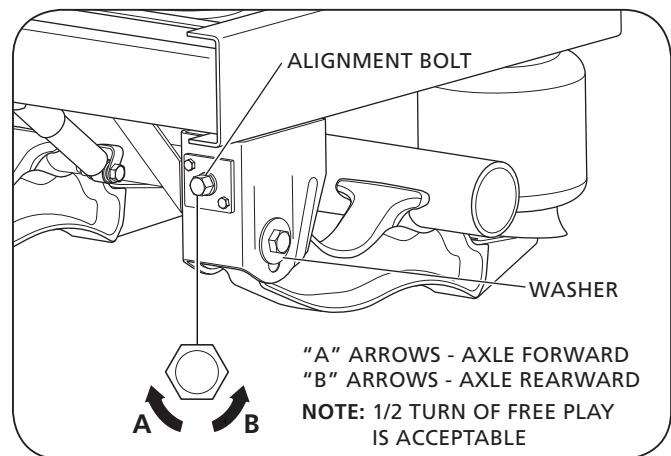
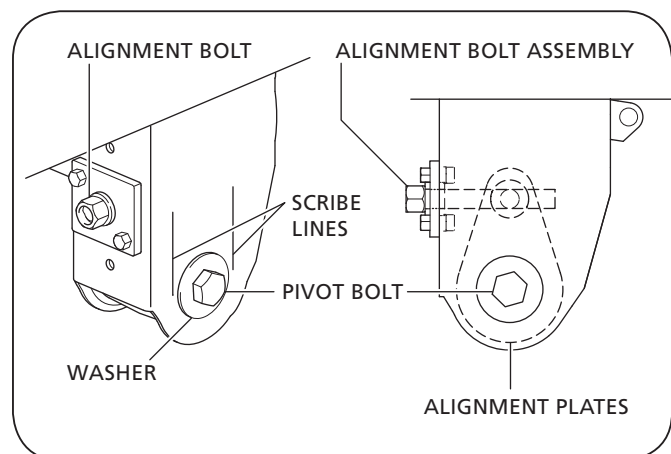


Figure 14



## 11 CBy/CBXy Axle Alignment Instructions

The CBy/CBXy suspension use four (4) eccentric style alignment collars in the pivot assembly. There are two (2) in the roadside pivot assembly and two (2) on the curbside. The collars allow the suspension beam to be adjusted for proper axle alignment using two (2) 1/2" drive ratchet style wrenches. The alignment collars can only be installed in one direction with the inboard side facing the cast beam and the outboard side facing outward (**Figure 15**).

### 11.1 Alignment Description

Fixed Side:

The Curbside pivot hardware is considered the "fixed" side of the suspension alignment system.

Adjustable Side:

The Roadside pivot hardware is considered the "adjustable" side of the suspension alignment system.

### 11.2 Adjustment Procedure

1. Set the "fixed" side of the suspension.
  - a. To set the fixed side of the suspension, use two (2) 1/2" drive ratchet style wrenches (one on both sides of pivot assembly, inboard and outboard). Adjust the collars by placing the ratchet wrenches into the 1/2" square hole of the alignment collars and turning simultaneously in one direction, frontward to move the axle forward (**Figure 16 Arrow A**) and rearward to move the axle backward (**Figure 16 Arrow B**).

**NOTE:** There is .5" (13mm) of total allowable axle adjustment: .25" (6mm) forward and .25" (6mm) rearward.

**NOTE:** Improper bolt alignment and binding will occur if collars are NOT in line with each other on both sides of the cast beam. Collars will NOT be seated properly and applied torque will NOT hold (**Figure 17**).

Figure 15

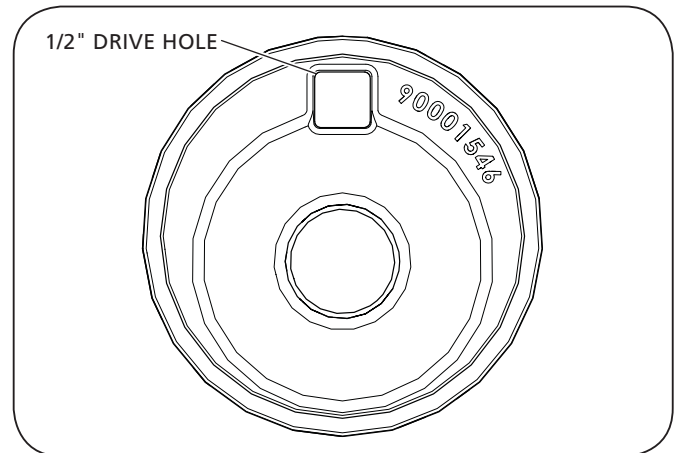


Figure 16

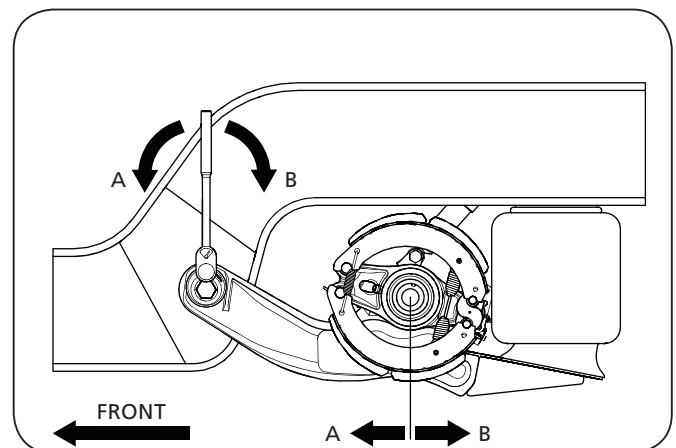
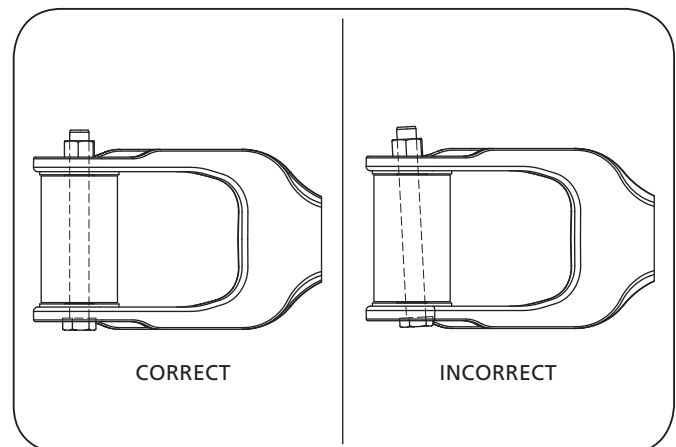


Figure 17



- b. The collars should be centered with equal distance between the alignment tabs on the cast beam and the square ratchet hole on the collar itself. The pivot assembly is then in its "centermost" position (**Figure 18**).
- c. Once the fixed side assembly is set, the nut should be torqued to SAF-HOLLAND® provided torque specification Section 20.

**NOTE:** Applying torque to the nut will cause the alignment collars to rotate. Use 1/2" drive ratchet wrench to resist rotation while tightening pivot nut.

2. Set the "adjustable" side of the suspension.
  - a. Using the same procedure outlined above in Step 1.a, the roadside pivot assembly should be adjusted until the desired axle alignment is reached.

**NOTE:** If axle alignment cannot be achieved within the allowable adjustable distance from the roadside (adjustable) pivot assembly, the curbside (fixed) pivot assembly can be adjusted to make up the difference needed to achieve proper alignment.

- b. Once the adjustable side assembly is set, the nut should be torqued to SAF-HOLLAND® provided torque specification Section 20

**IMPORTANT:** DO NOT weld any components of the pivot assembly.

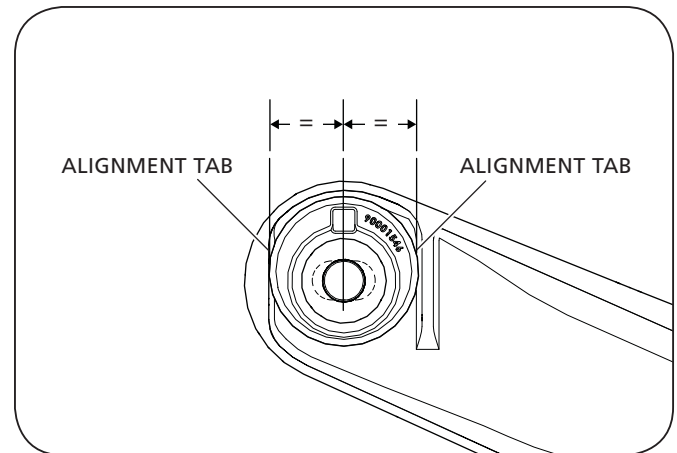
## 12. Brake Adjustment Instructions

The brakes should be adjusted per axle and brake manufacturer's specifications.

For the CBu/CBXu and CBy/CBXy Suspensions with Drum Brake Systems refer to SAF-HOLLAND® Drum Brake Service Manual XL-TA100060M. Drum Brakes can be on a 5" or 5.75" axle.

For CBXu and CBXy Suspensions with Disc Brake Systems refer to SAF-HOLLAND® Disc Brake Service Manual XL-SA100590M. Disc Brakes are on the 5" axle.

**Figure 18**



### 13. Air Spring Replacement

**IMPORTANT:** Air springs **MUST** be replaced with the proper air spring for this application. Check the flexible member and piston for the part number. If the part number cannot be found, consult the SAF-HOLLAND® Aftermarket Parts Manual at [www.safholland.us](http://www.safholland.us).

**NOTE:** For further assistance with air spring part number identification, contact SAF-HOLLAND® technical assistance at 888-396-6501.

**IMPORTANT:** Maximum air spring static operation pressure is 100 psig (6.9 bars).

**⚠ WARNING** Failure to observe the maximum air spring static operating pressure could cause equipment failure which, if not avoided, could result in death or serious injury.

**IMPORTANT:** The trailer **MUST** be unloaded before beginning service procedures.

1. On a level surface, support the front of the trailer with either a kingpin stand, landing gear, or while coupled to a tractor (**Figure 19**).
2. Raise the trailer frame approximately 2" (51 mm) above the suspension's specified ride height.
3. Place multiple jack stands at the suspension's specified ride height (**Table 2**) under the vehicle frame at OEM specified locations, then lower the trailer onto the jack stands.

**NOTE:** It may be necessary to shim jack stands to achieve specified height.

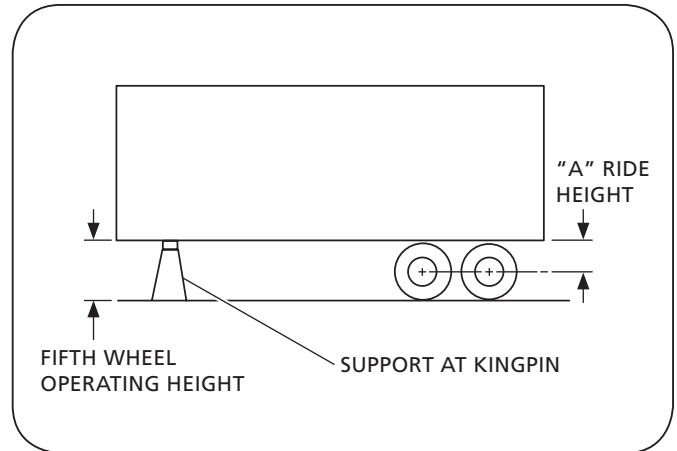
**⚠ WARNING** Failure to properly support the suspension during maintenance could create a crush hazard which, if not avoided, could result in death or serious injury.

4. Exhaust all air from the suspension, set parking brakes, and chock the wheels.

**⚠ WARNING** Failure to exhaust the suspension air and chock the tires prior to beginning maintenance could allow vehicle movement which, if not avoided, could result in death or serious injury.

5. Disconnect, remove, and discard old air spring assembly (**Figure 20**).

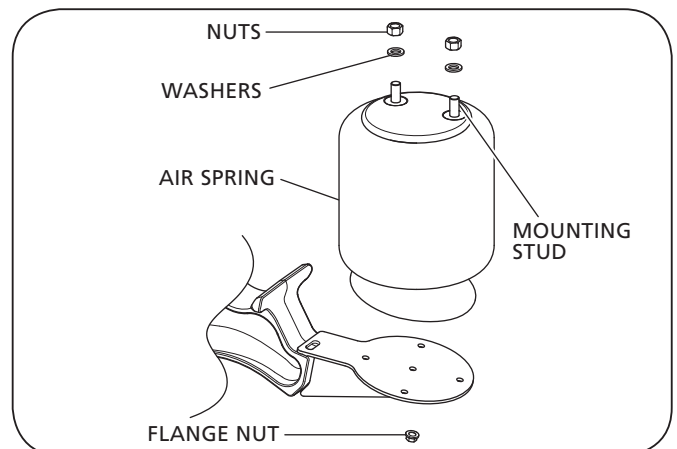
**Figure 19**



**Table 2**

MODEL		"A" RIDE HEIGHT
CBu/CBXu-6	CBy/CBXy-6	6"
CBu/CBXu-7	CBy/CBXy-7	7"
CBu/CBXu-8	CBy/CBXy-8	8"
CBu/CBXu-9	CBy/CBXy-9	9"
CBu/CBXu-10	CBy/CBXy-10	10"
CBu/CBXu-12	CBy/CBXy-12	12"

**Figure 20**





6. Install new air spring assembly and torque fasteners. Refer to the Torque Specifications listed in Section 20.
7. Reconnect air supply line.
8. Raise the trailer approximately 2" (51 mm) above ride height and remove jack stands.
9. Slowly lower the trailer so that trailer suspension is fully collapsed.
10. Apply air to the trailer and allow the suspension to return to ride height.
11. Verify all air connection fittings are tight. Check all fittings for air leaks by applying a soapy water solution and checking for bubbles at all air connections and fittings.

**IMPORTANT:** It is the responsibility of the air system installer to secure all air lines and check for any air leaks. If air leaks are detected, repair as required.

**CAUTION**

Failure to eliminate air leaks could compromise suspension performance which, if not avoided, could result in component or property damage.

12. Remove wheel chocks.

## 14. Shock Absorber Replacement

**IMPORTANT:** Shock absorber MUST be replaced with the proper shock absorber. Check shock for part number. If the part number cannot be found, consult the SAF-HOLLAND® Aftermarket Parts Manual at [www.safholland.us](http://www.safholland.us).

**IMPORTANT:** The trailer MUST be unloaded before beginning service procedures.

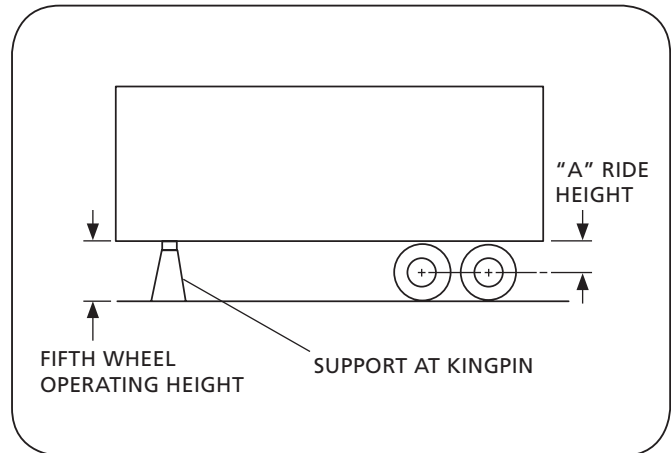
1. On a level surface, support the front of the trailer with either a kingpin stand, landing gear, or while coupled to a tractor (**Figure 21**).
2. Raise the trailer frame approximately 2" (51 mm) above the suspension's specified ride height.
3. At the suspension's specified ride height (**Table 3**), place multiple jack stands under the vehicle's frame per OEM specified locations, then lower the trailer onto the jack stands.

**NOTE:** It may be necessary to shim jack stands to achieve specified height.

**WARNING**

Failure to properly support the suspension during maintenance could create a crush hazard which, if not avoided, could result in death or serious injury.

**Figure 21**



**Table 3**

MODEL		"A" RIDE HEIGHT
CBu/CBXu-6	CBy/CBXy-6	6"
CBu/CBXu-7	CBy/CBXy-7	7"
CBu/CBXu-8	CBy/CBXy-8	8"
CBu/CBXu-9	CBy/CBXy-9	9"
CBu/CBXu-10	CBy/CBXy-10	10"
CBu/CBXu-12	CBy/CBXy-12	12"

- Exhaust all air from the suspension, set parking brakes, and chock the wheels.

**⚠ WARNING**

Failure to exhaust the suspension air and chock the tires prior to beginning maintenance could allow vehicle movement which, if not avoided, could result in death or serious injury.

- Remove the upper and lower mounting bolts and remove the shock absorber (**Figure 22**).
- Replace with correct shock absorber and fasteners and torque hardware per specifications listed in Section 20.
- Raise the trailer approximately 2" (51mm) above ride height and remove jack stands.
- Slowly lower the trailer so that the trailer suspension is fully collapsed.
- Apply air to the trailer and allow suspension to return to ride height.
- Remove the wheel chocks.

### 15. CBu/CBXu Pivot Connection Bushing Replacement

**IMPORTANT:** When replacing the rubber bushing at this connection be sure the proper SAF-HOLLAND® Service Repair Kit (SRK) is used as they contain all the necessary parts to service one axle (two (2) kits per tandem). Refer to the Service Repair Kit section of the Aftermarket Parts Manual XL-AS11428PM-en-US for proper SRK.

**IMPORTANT:** The vehicle **MUST** be unloaded before beginning service procedures.

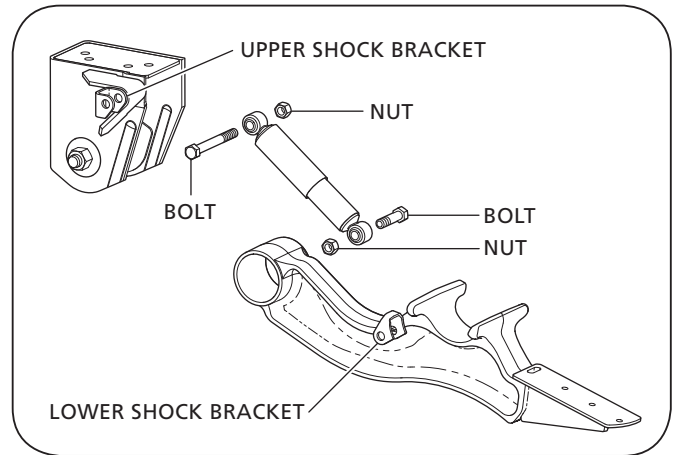
- On a level surface, support the front of the trailer with either a kingpin stand, landing gear, or while coupled to a tractor (**Figure 23**).
- Raise the trailer frame approximately 2" (51 mm) above the suspension's specified ride height.
- At the suspension's specified ride height (**Table 4**), place multiple jack stands under the vehicle's frame per OEM specified locations, then lower the trailer onto the jack stands.

**NOTE:** It may be necessary to shim jack stands to achieve specified height.

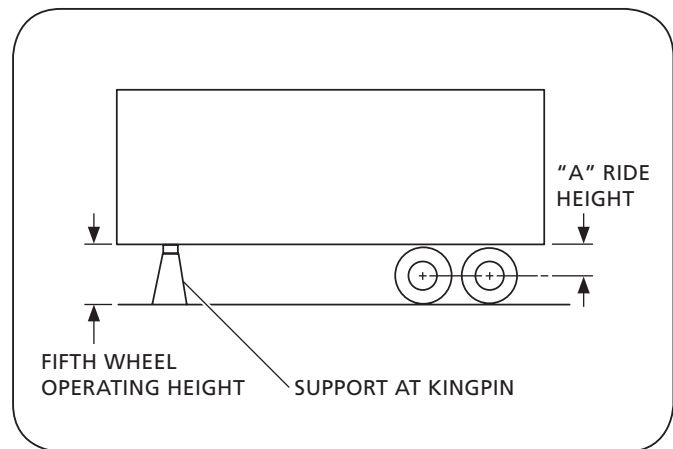
**⚠ WARNING**

Failure to properly support the suspension during maintenance could create a crush hazard which, if not avoided, could result in death or serious injury.

**Figure 22**



**Figure 23**



**Table 4**

MODEL	"A" RIDE HEIGHT
CBu/CBXu-6	6"
CBu/CBXu-7	7"
CBu/CBXu-8	8"
CBu/CBXu-9	9"
CBu/CBXu-10	10"
CBu/CBXu-12	12"

- Exhaust all air from the suspension, set parking brakes, and chock the wheels.

**⚠ WARNING** Failure to exhaust the suspension air and chock the tires prior to beginning maintenance could allow vehicle movement which, if not avoided, could result in death or serious injury.

- Disconnect air spring and shock absorber at lower connections on both roadside and curbside.
- Disconnect the height control valve (HCV) linkage at lower connection.

**NOTE:** The SAF-HOLLAND® Bushing Service Tool, Part No. 50544015 is available to ease removal and replacement of bushings (**Figure 26**). Contact the SAF-HOLLAND® distributor or Parts Manual for details.

- Raise the axle approximately 2" (51 mm) and support it with jack stands and remove wheel chocks.

**⚠ WARNING** Failure to properly support axle during maintenance could create a crush hazard, which if not avoided, could result in death or serious injury.

- Remove the tires.
- Disconnect front pivot connection hardware and discard (**Figure 24**).
- Rotate equalizing beams down until fully supported by the jack stands.

**⚠ WARNING** Failure to properly support equalizing beams could create a crush hazard which, if not avoided, could result in component damage, death or serious injury.

- Inspect equalizing beams for wear, cracks and failed welds at axle. If cracks are detected anywhere on an equalizing beam, replace the beam and axle assembly.

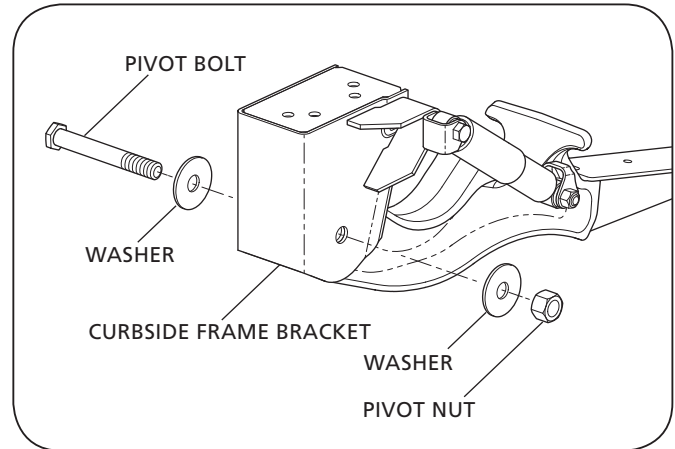
**IMPORTANT:** NEVER repair a cracked equalizing beam. DO NOT weld cracks.

**⚠ WARNING** Failure to replace a cracked equalizing beam could cause loss of vehicle control which, if not avoided, could result in death or serious injury.

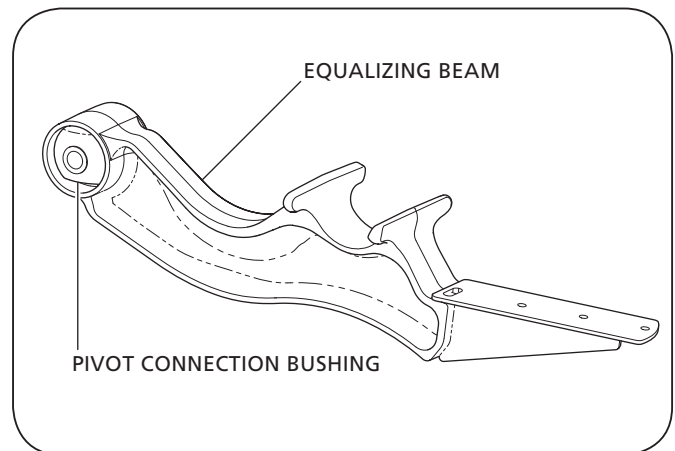
- Press out old bushing (**Figure 25**) using a SAF-HOLLAND® Bushing Service Tool, Part No. 50544015 (**Figure 26**).

**IMPORTANT:** DO NOT use an open flame or other heat source to remove the bushings.

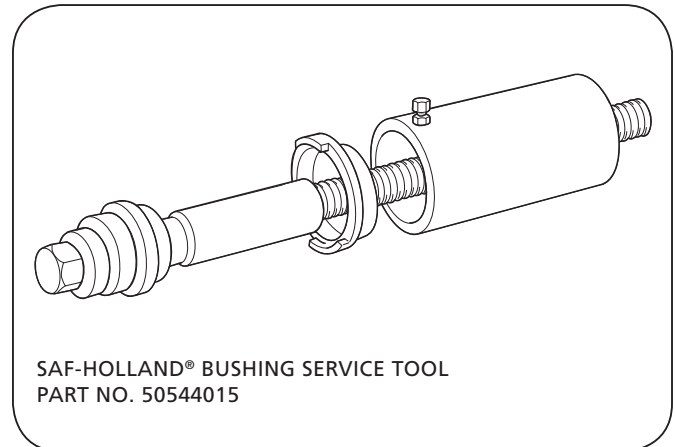
**Figure 24**



**Figure 25**



**Figure 26**



13. Clean out all foreign material from bushing receptacle(s) with a wire brush or wire wheel. Lubricate new bushing(s) with liquid dish soap and water solution.

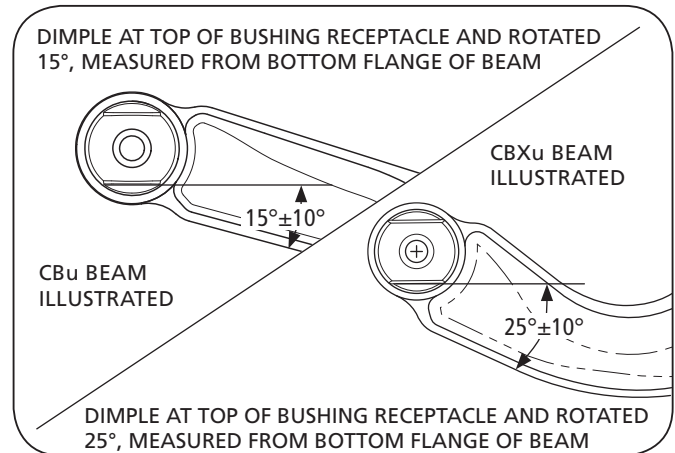
**IMPORTANT:** DO NOT use oil-based lubricant or brake fluid, as they can cause damage to the rubber.

14. Press new bushing into the beam. The bushing MUST be oriented, aligned and centered in beam receptacles:
  - a. Orientate the bushings per **(Figure 27)**.
  - b. Press the bushings in beam receptacles and center them per **(Figure 28)**.

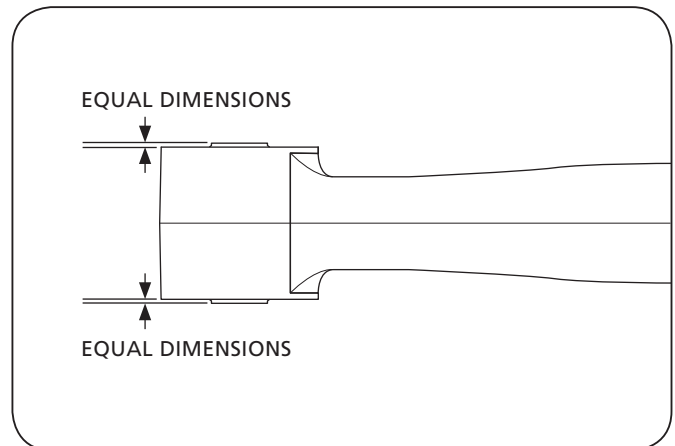
**IMPORTANT:** It may be necessary to push bushing past center approximately 1" (25.4 mm) and then re-center the bushing to relieve the rubber **(Figure 29)**.

- c. Inspect bushing's alignment **(Figure 29)**. If the bushing is NOT aligned, press out bushing and repeat procedure.
15. Inspect frame brackets for excessive wear on inside wear washers or SwingAlign™ alignment plates. If wear is excessive, refer to Section 18 for replacement information. If only SwingAlign™ components need to be replaced, refer to Section 19 for replacement information. If only fixed frame bracket components need to be replaced refer to Section 18 for replacement information.
16. Rotate beams up into frame brackets and reinstall equalizing beam with new bolts and nuts. Position at ride height and torque fastening hardware according to the specifications listed in Section 20.
17. Reconnect air springs, shock absorbers and HCV linkage. Properly torque fastening hardware according to the specifications listed in Section 20.
18. Raise the trailer approximately 2" (51mm) above ride height and remove jack stands.
19. Slowly lower the trailer so that the trailer suspension is fully collapsed.
20. Apply air to the trailer and allow the suspension to return to ride height.
21. Remove the wheel chocks.

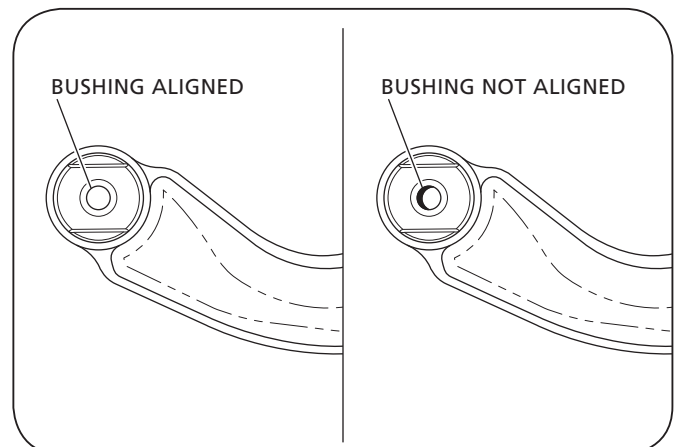
**Figure 27**



**Figure 28**



**Figure 29**



## 16. CBy/CBXy Pivot Connection Bushing Replacement

**IMPORTANT:** When replacing the rubber bushing at this connection be sure the proper SAF-HOLLAND® Service Repair Kit (SRK) is used as they contain all the necessary parts to service one axle (two (2) kits per tandem). Refer to the Service Repair Kit section of the Aftermarket Parts Manual for proper SRK.

**IMPORTANT:** The vehicle **MUST** be unloaded before beginning service procedures.

1. On a level surface, support the front of the trailer with either a kingpin stand, landing gear, or while coupled to a tractor (**Figure 30**).
2. Raise the trailer frame approximately 2" (51 mm) above the suspension's specified ride height.
3. At the suspension's specified ride height (**Table 5**), place multiple jack stands under the vehicle's frame per OEM specified locations, then lower the trailer onto the jack stands.

**NOTE:** It may be necessary to shim jack stands to achieve specified height.

**⚠ WARNING** Failure to properly support the suspension during maintenance could create a crush hazard which, if not avoided, could result in death or serious injury.

4. Exhaust all the air from the suspension, set parking brakes, and chock the wheels.

**⚠ WARNING** Failure to exhaust the suspension air and chock the tires prior to beginning maintenance could allow vehicle movement which, if not avoided, could result in death or serious injury.

5. Disconnect the air spring and shock absorber at lower connections on both roadside and curbside.
6. Disconnect the height control valve (HCV) linkage at lower connection.

**NOTE:** The SAF-HOLLAND® Bushing Service Tool, Part No. 50544015 is available to ease removal and replacement of bushings (**Figure 31**). Contact the SAF-HOLLAND® distributor or Parts Manual for details.

7. Raise the axle approximately 2" (51 mm) and support it with jack stands and remove wheel chocks.

**⚠ WARNING** Failure to proper support axle during maintenance could create a crush hazard, which if not avoided, could result in death or serious injury.

Figure 30

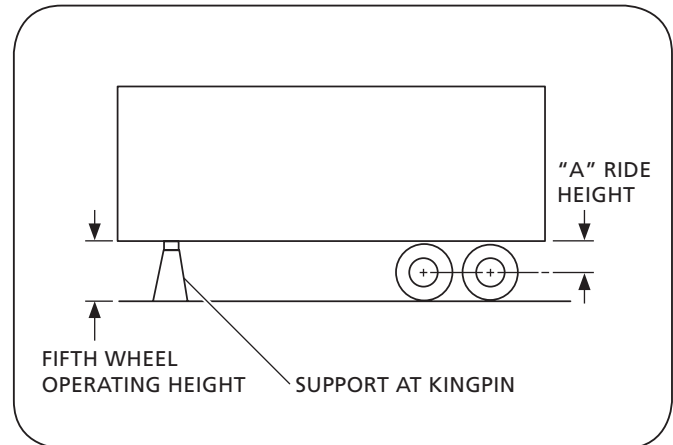
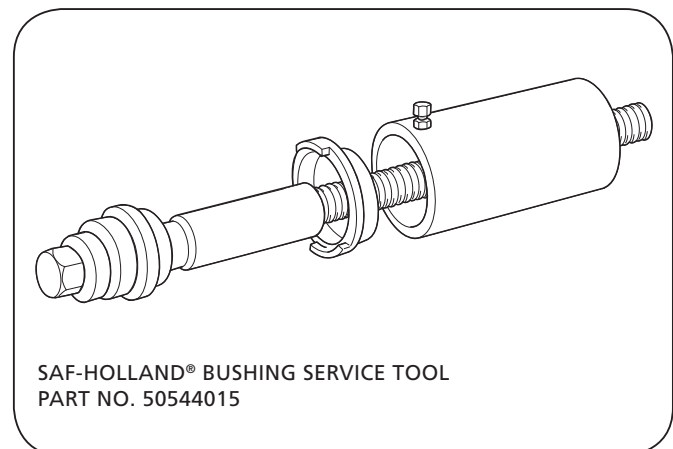


Table 5

MODEL	"A" RIDE HEIGHT
CBy/CBXy-6	6"
CBy/CBXy-7	7"
CBy/CBXy-8	8"
CBy/CBXy-9	9"
CBy/CBXy-10	10"
CBy/CBXy-12	12"

Figure 31



8. Remove the tires.
9. Disconnect the front pivot connection hardware and discard (**Figure 32**).
10. Rotate the equalizing beams down until fully supported by the jack stands.

**⚠ WARNING** Failure to properly support equalizing beams could create a crush hazard which, if not avoided, could result in component damage, death or serious injury.

11. Inspect the equalizing beams for wear, cracks and failed welds at axle. If cracks are detected anywhere on an equalizing beam, replace the beam and axle assembly.

**IMPORTANT:** NEVER repair a cracked equalizing beam. DO NOT weld cracks.

**⚠ WARNING** Failure to replace a cracked equalizing beam could cause loss of vehicle control which, if not avoided, could result in death or serious injury.

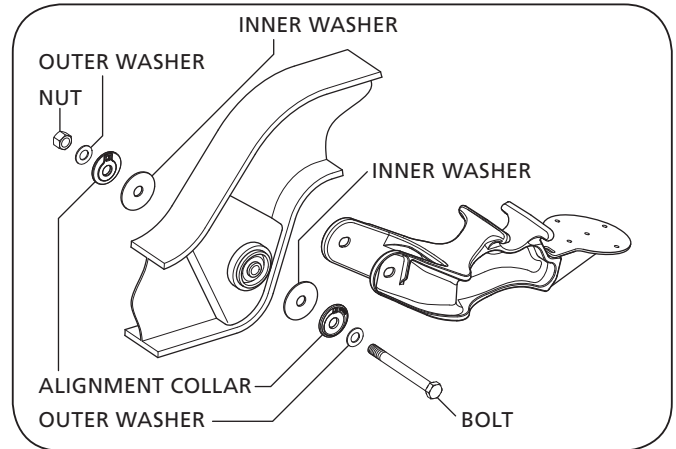
12. Press out old bushing (**Figure 33**) using a SAF-HOLLAND® Bushing Service Tool, Part No. 50544015 (**Figure 34**).

**IMPORTANT:** DO NOT use an open flame or other heat source to remove the bushings.

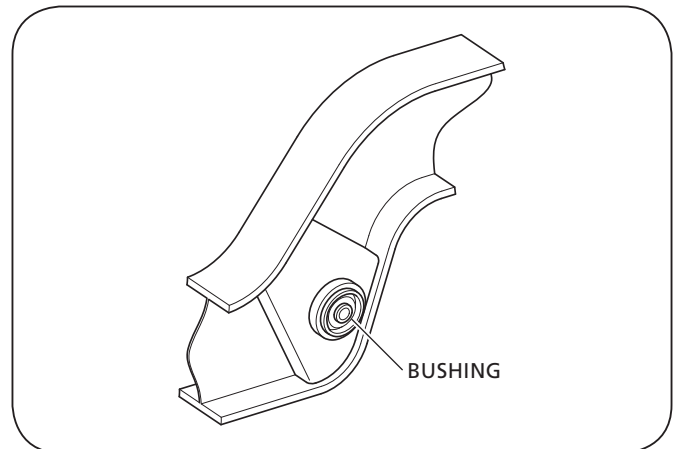
13. Clean out all foreign material from bushing receptacle(s) with a wire brush or wire wheel. Lubricate new bushing(s) with liquid dish soap and water solution.

**IMPORTANT:** DO NOT use oil-based lubricant or brake fluid, as they can cause damage to the rubber.

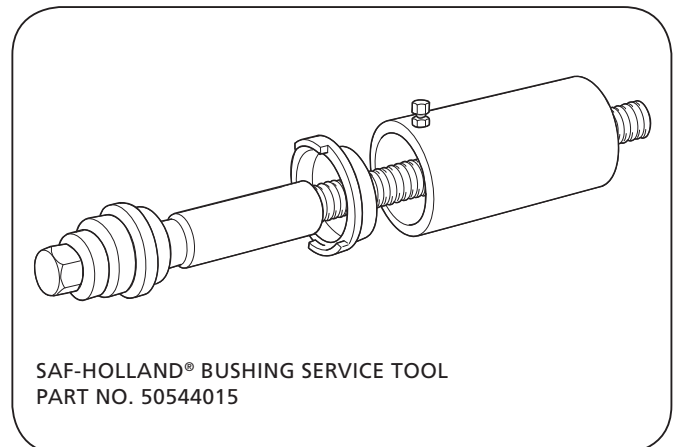
**Figure 32**



**Figure 33**



**Figure 34**

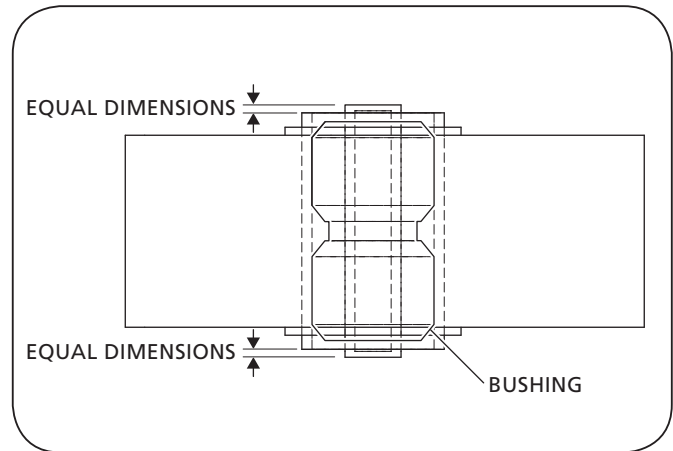


14. Press new bushing into the bushing tube on the trailer frame. Bushing **MUST** be oriented, aligned and centered in beam receptacles:
  - a. Press the bushings into receptacle and center them as illustrated (**Figure 35**).

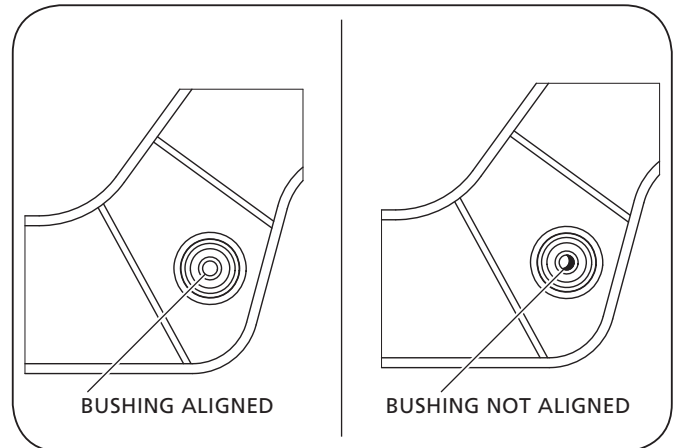
**IMPORTANT:** It may be necessary to push bushing past center approximately 1" (25.4 mm) and then re-center the bushing to relieve the rubber (**Figure 36**).

- b. Inspect bushing's alignment (**Figure 36**). If the bushing is **NOT** aligned, press out bushing and repeat procedure.
15. Rotate beams and reinstall equalizing beam with new bolts and nuts. Position at ride height and torque fastening hardware according to the specifications listed in Section 20.
16. Reconnect air springs and shock absorbers. Properly torque fastening hardware according to the specifications listed in Section 20.
17. Raise the trailer approximately 2" (51mm) above ride height and remove jack stands.
18. Slowly lower the trailer so that the trailer suspension is fully collapsed.
19. Apply air to the trailer and allow the suspension to return to ride height.
20. Remove the wheel chocks.

**Figure 35**



**Figure 36**



## 17. Equalizing Beam and Axle Assembly Replacement

**IMPORTANT:** The trailer MUST be unloaded before beginning any service procedures.

1. On a level surface, support the front of the trailer with either a kingpin stand, landing gear, or while coupled to a tractor (**Figure 37**).
2. Raise the trailer frame approximately 2" (51 mm) above the suspension's specified ride height.
3. At the suspension's specified ride height (**Table 6**), place multiple jack stands under the vehicle's frame per OEM specified locations, then lower the trailer onto the jack stands.

**NOTE:** It may be necessary to shim jack stands to achieve specified height.

**⚠ WARNING** Failure to properly support the suspension during maintenance could create a crush hazard which, if not avoided, could result in death or serious injury.

5. Exhaust all air from the suspension, set parking brakes, and chock the wheels.

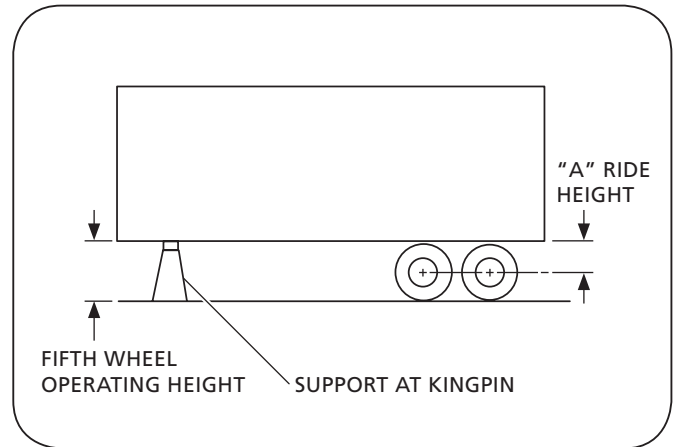
**⚠ WARNING** Failure to exhaust the suspension air and chock the tires prior to beginning maintenance could allow vehicle movement which, if not avoided, could result in death or serious injury.

6. Raise the axle approximately 2" (51 mm) and support it with jack stands and remove wheel chocks.

**⚠ WARNING** Failure to properly support axle during maintenance could create a crush hazard, which if not avoided, could result in death or serious injury.

7. Remove the tires.
8. Disconnect the air springs, shock absorbers and height control valve (HCV) linkage at the lower connections.
9. Remove brake equipment:
  - Drum Brakes – remove brake chambers, slack adjusters, and wheel end assemblies. Refer to the XL-TA10006OM-en-US service manual for detailed disassembly and reassembly procedures.
  - Disc Brakes – disconnect the brake chamber air supply lines. Refer to XL-SA10059OM-en-US service manual for detailed disassembly and reassembly procedures.

**Figure 37**



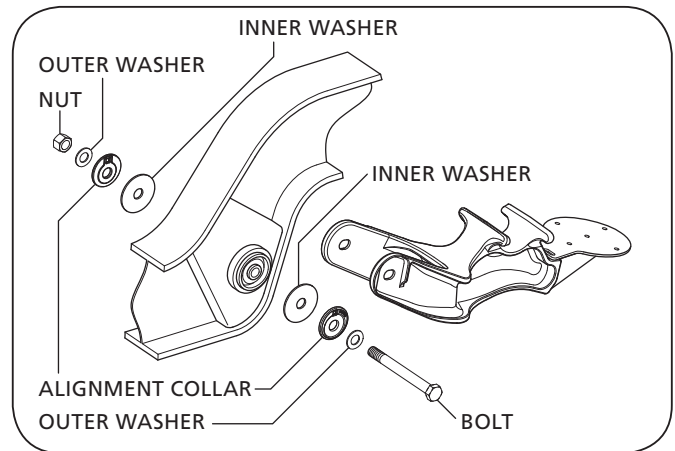
**Table 6**

MODEL		"A" RIDE HEIGHT
CBu/CBXu-6	CBY/CBXy-6	6"
CBu/CBXu-7	CBY/CBXy-7	7"
CBu/CBXu-8	CBY/CBXy-8	8"
CBu/CBXu-9	CBY/CBXy-9	9"
CBu/CBXu-10	CBY/CBXy-10	10"
CBu/CBXu-12	CBY/CBXy-12	12"

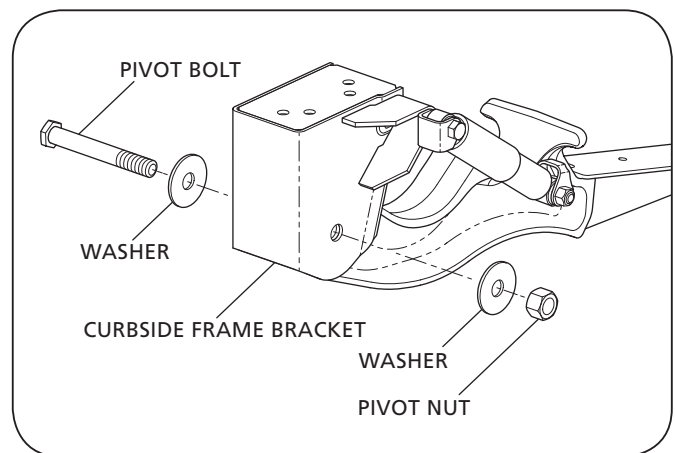


10. Disconnect pivot hardware from suspension. For CBy/CBXy, refer to **(Figure 38)** for CBU/CBXu, refer to **(Figure 39)**.
11. Remove axle and equalizing beam assembly.
12. Install new axle and equalizing beam assembly using new pivot hardware. **(Figure 39)** Position axle at ride height, support it with jack stands, and torque front pivot connection per specifications listed in Section 20.
13. Reconnect lower connections on the air springs, shock absorbers and HCV linkage. Properly torque hardware according to the specifications listed in Section 20.
14. Install brake components and wheel ends following the instructions in the appropriate manual referred to in Step 9.
15. Re-install tires, remove jack stands supporting the axle and equalizing beam assembly, and lower the axle.
16. Chock the wheels.
17. Raise the trailer approximately 2" (51mm) above ride height and remove jack stands.
18. Slowly lower the trailer so that the trailer suspension is fully collapsed.
19. Apply air to the trailer and allow the suspension to return to ride height.
20. With the suspension at rest, measure the ride height. Ride height **MUST** be within 1/4" (6.4 mm) of the suspensions specified ride height. Refer to Section 7 if ride height needs to be adjusted.
21. Remove the wheel chocks.
22. Re-align the axles using the axle alignment procedures listed in Section 15 for CBU/CBXu, and Section 16 for CBy/CBXy.

**Figure 38**



**Figure 39**



## 18. CBU/CBXu Frame Bracket Replacement

**NOTE:** When replacing frame bracket(s), refer to the SAF-HOLLAND® Aftermarket Parts Manual for the correct part number or Service Repair Kit.

**IMPORTANT:** If only SwingAlign™ frame bracket alignment plates and washers are to be replaced, refer to Section 10.

**IMPORTANT:** The trailer MUST be unloaded before beginning any service procedures.

1. On a level surface, support the front of the trailer with either a kingpin stand, landing gear, or while coupled to a tractor (**Figure 40**).
2. Raise the trailer frame approximately 2" (51 mm) above the suspension's specified ride height.
3. Place multiple jack stands at the suspension's specified ride height (**Table 7**) under the vehicle frame at OEM specified locations, then lower the trailer onto the jack stands.

**NOTE:** It may be necessary to shim jack stands to achieve specified height.

**⚠ WARNING** Failure to properly support the suspension during maintenance could create a crush hazard which, if not avoided, could result in death or serious injury.

5. Exhaust all air from the suspension, set parking brakes, and chock the wheels.

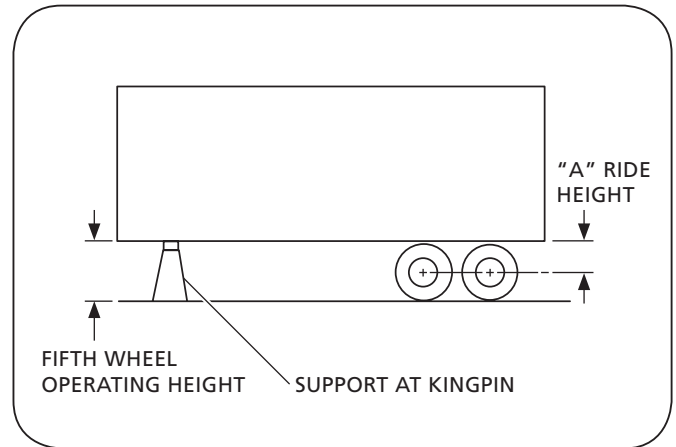
**⚠ WARNING** Failure to exhaust the suspension air and chock the tires prior to beginning maintenance could allow vehicle movement which, if not avoided, could result in death or serious injury.

6. Raise the axle approximately 2" (51 mm) and support it with jack stands and remove wheel chocks.

**⚠ WARNING** Failure to proper support axle during maintenance could create a crush hazard, which if not avoided, could result in death or serious injury.

7. Remove the tires.
8. Disconnect front pivot hardware (**Figure 41**) and rotate equalizing beams downward out of the frame brackets.
9. On the side of the frame rail mark the mounting location of the frame bracket to be replaced.

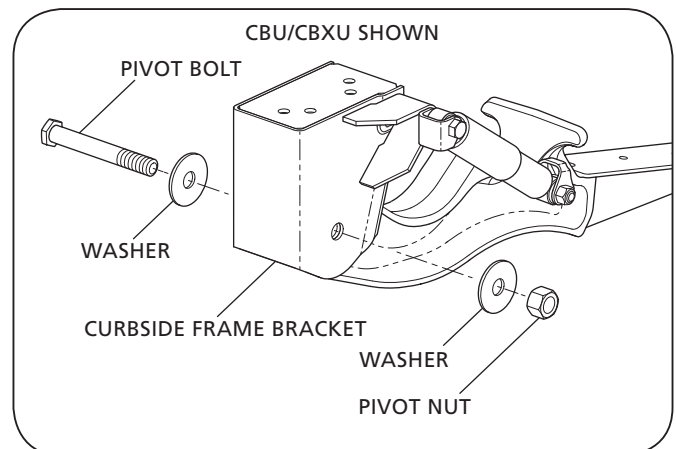
**Figure 40**



**Table 7**

MODEL	"A" RIDE HEIGHT
CBu/CBXu-6	6"
CBu/CBXu-7	7"
CBu/CBXu-8	8"
CBu/CBXu-9	9"
CBu/CBXu-10	10"
CBu/CBXu-12	12"

**Figure 41**



10. Remove the old frame bracket

**IMPORTANT:** Carefully air arc the welds connecting the frame bracket to the frame. DO NOT use frame if frame material is damaged. Repair the frame and then install the frame brackets.

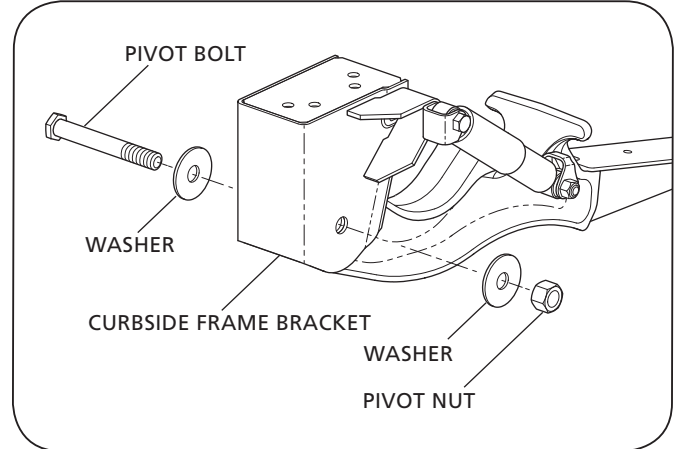
**⚠ WARNING** Failure to repair a damaged frame could cause damage to the suspension with possible loss of vehicle control which, if not avoided, could result in death or serious injury.

11. Place the new frame bracket(s) on the frame rail at the locations marked in Step 9. Refer to the model's specific installation drawing for the proper weld patterns and locations. Weld bracket in place according to the specifications listed in Section 6.

**NOTE:** To obtain a copy of the specific suspensions installation drawing, contact the SAF-HOLLAND® Customer Service at 888-396-6501.

12. If replacing the roadside SwingAlign™ frame bracket, refer to Section 19 for SwingAlign™ hardware installation procedures.
13. Rotate equalizing beams upward into the frame brackets and install new pivot hardware (**Figure 42**). Position the axle at ride height and torque pivot connection per torque specifications listed in Section 20.
14. Re-install tires, remove jack stands supporting the axle and equalizing beam assembly, and lower the axle.
15. Chock the wheels.
16. Raise the trailer approximately 2" (51mm) above ride height and remove jack stands.
17. Slowly lower the trailer so that the trailer suspension is fully collapsed.
18. Apply air to the trailer and allow the suspension to return to ride height.
19. With the suspension at rest, measure the ride height. Ride height MUST be within 1/4" (6.4 mm) of the suspensions specified ride height. Refer to Section 7 if ride height needs to be adjusted.
20. Remove wheel chocks.
21. Re-align the axles using the axle alignment procedures listed in Section 10.

**Figure 42**



## 19. SwingAlign™ Replacement

**IMPORTANT:** The trailer MUST be unloaded before beginning any service procedures.

1. On a level surface, support the front of the trailer with either a kingpin stand, landing gear, or while coupled to a tractor (**Figure 43**).
2. Raise the trailer frame approximately 2" (51 mm) above the suspension's specified ride height.
3. At the suspension's specified ride height (**Table 7**), place multiple jack stands under the vehicle's frame per OEM specified locations, then lower the trailer onto the jack stands.

**NOTE:** It may be necessary to shim jack stands to achieve specified height.

**⚠ WARNING** Failure to properly support the suspension during maintenance could create a crush hazard which, if not avoided, could result in death or serious injury.

5. Exhaust all air from the suspension, set parking brakes, and chock the wheels.

**⚠ WARNING** Failure to exhaust the suspension air and chock the tires prior to beginning maintenance could allow vehicle movement which, if not avoided, could result in death or serious injury.

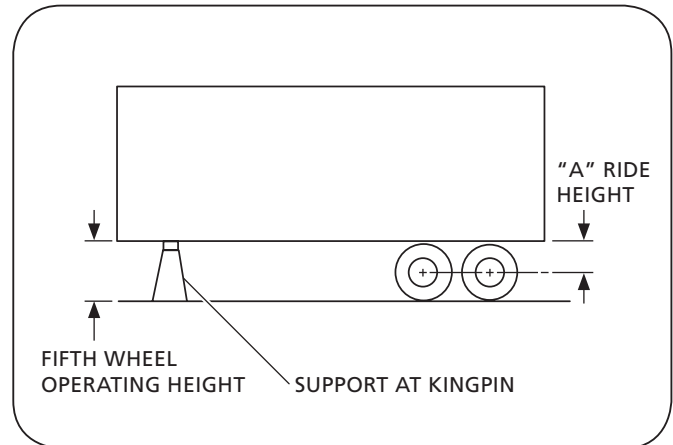
6. Raise the axle approximately 2" (51 mm) and support it with jack stands and remove wheel chocks.

**⚠ WARNING** Failure to proper support axle during maintenance could create a crush hazard, which if not avoided, could result in death or serious injury.

7. Remove the tires.
8. Disconnect front pivot hardware (**Figure 44**) and rotate equalizing beams downward out of the frame brackets.

**⚠ WARNING** Failure to proper support equalizing beams during maintenance could create a crush hazard, which if not avoided, could result in death or serious injury.

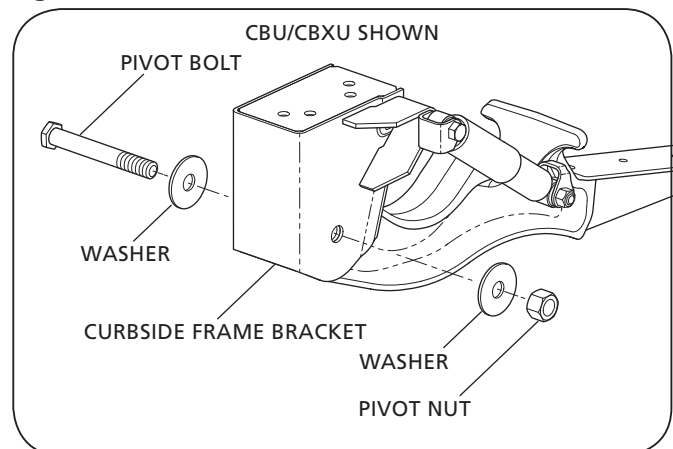
**Figure 43**



**Table 7**

MODEL	"A" RIDE HEIGHT
CBu/CBXu-6	6"
CBu/CBXu-7	7"
CBu/CBXu-8	8"
CBu/CBXu-9	9"
CBu/CBXu-10	10"
CBu/CBXu-12	12"

**Figure 44**

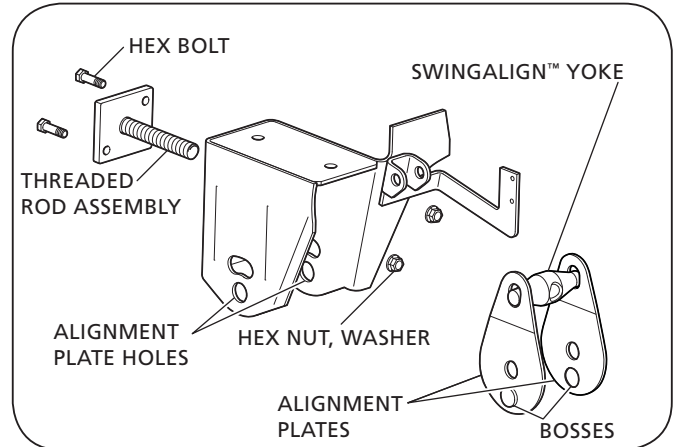


9. Remove and discard the SwingAlign™ mounting fasteners and rotate the threaded rod assembly counter-clockwise (CCW) until it disengages from the SwingAlign™ yoke (**Figure 45**).
10. Remove threaded rod assembly, alignment plates, and yoke (**Figure 45**).
11. Assemble the new SwingAlign™ yoke between two (2) new alignment plates and insert assembly into the frame bracket (**Figure 45**).

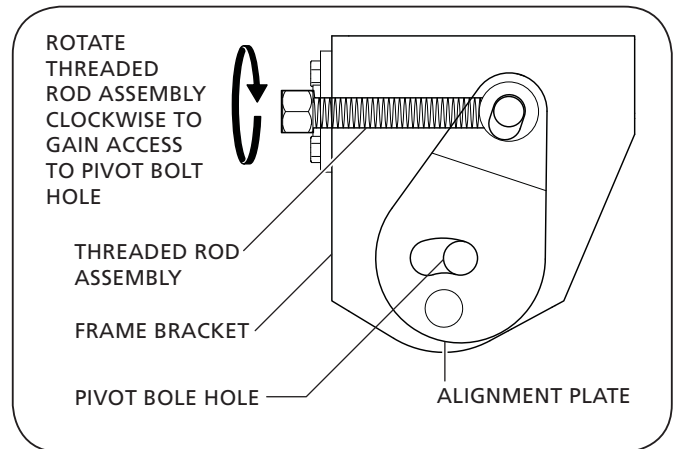
**NOTE:** Make sure the bosses on the alignment plates are fully seated into the frame bracket alignment plate holes (**Figures 45 and 46**).

12. From the front of the frame bracket, insert new threaded rod assembly into SwingAlign™ yoke and rotate threaded rod clockwise until access to the pivot bolt hole is achieved (**Figure 46**).
13. Rotate equalizing beams upward into the frame brackets. If necessary, adjust the threaded rod assembly until holes in alignment plate are aligned with the pivot bushing holes. When assembly and hole alignment is achieved, install new pivot fasteners (**Figure 47**).
14. Position the axle at ride height and torque pivot connection per torque specifications listed in Section 20.
15. Re-install tires, remove jack stands supporting the axle and equalizing beam assembly, and lower the axle.
16. Chock the wheels.
17. Raise the trailer approximately 2" (51mm) above ride height and remove jack stands.
18. Slowly lower the trailer so that the trailer suspension is fully collapsed.
19. Apply air to the trailer and allow the suspension to return to ride height.
20. With the suspension at rest, measure the ride height. Ride height **MUST** be within 1/4" (6.4 mm) of the suspensions specified ride height. Refer to Section 7 if ride height needs to be adjusted.
21. Remove the wheel chocks.

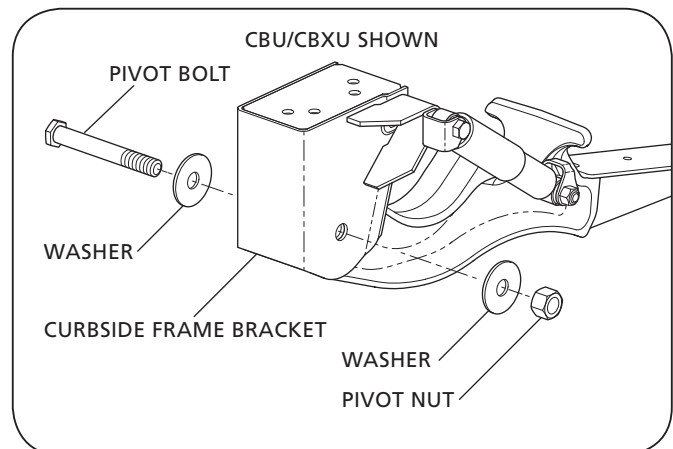
**Figure 45**



**Figure 46**

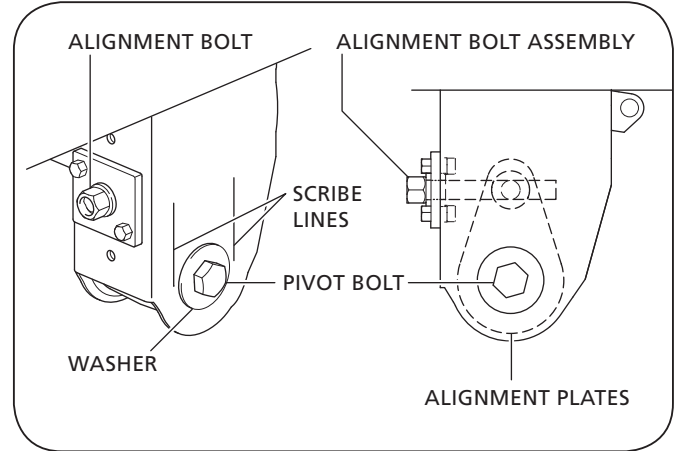


**Figure 47**



22. Rotate bolt head of the threaded rod assembly clockwise (CW) until the edge of the washer reaches the forward scribe line. Then rotate the threaded rod assembly counter-clockwise (CCW) until it reaches the rearward scribe line. Then rotate the threaded rod assembly clockwise (CW) until it is centered between the scribe lines. **(Figure 48)**
23. Re-torque the SwingAlign™ front pivot connection per the torque specifications listed in Section 20.
24. Re-align the axles using the axle alignment procedures listed in Section 10.

**Figure 48**



## 20. Torque Specifications

COMPONENT	TORQUE VALUE	FASTENER SIZE
Shock Absorber	140-175 ft.- lbs. (190-237 N•m)	3/4"
Pivot Connection	550-600 ft.- lbs. (746-813 N•m)	1-1/8"
Lower Air Spring Nut	30-40 ft.- lbs. (40-45 N•m)	1/2"
Upper Air Spring Nut	40-45 ft.- lbs. (54-61 N•m)	3/4"
SwingAlign™ Mounting Fasteners Only - NOT Pivot Bolt	50-60 ft.- lbs. (68-81 N•m)	1/2"
Height Control Valve Lower Linkage	30-40 In.- lbs. (3-5 N•m)	1/4"

**NOTE:** Torque specifications listed above are with clean lubricated/coated threads. All new SAF-HOLLAND® fasteners come pre-coated from the factory.

**IMPORTANT:** The use of special lubricants with friction modifiers, such as Anti-Seize or Never-Seez®, without written approval from SAF-HOLLAND® Engineering, will void warranty and could lead to over torquing of fasteners or other component issues.

### General Information

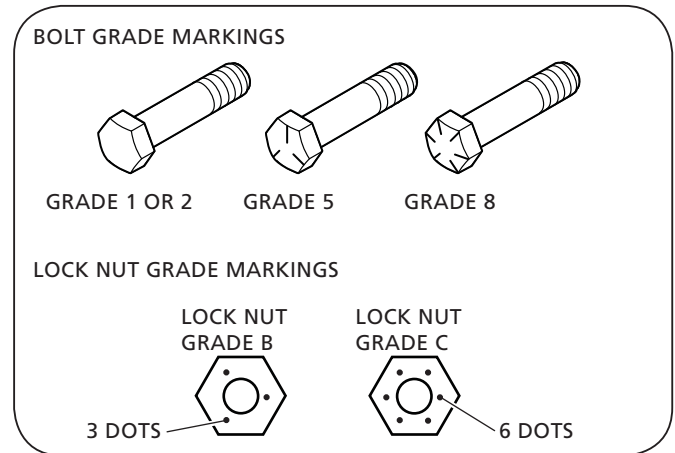
- The torque specifications listed throughout the manual are applied to the nut and NOT the bolt.

**IMPORTANT:** Most of the fasteners used in this suspension are Grade 8 bolts and Grade C nuts. These fasteners have the strength and hardness properties required for their particular function. They MUST be replaced with fasteners of the same grade, size and form as the original in order to prevent failure (**Figure 49**).

**⚠ WARNING** Failure to use the proper fasteners when servicing the suspension could cause component failure which, if not avoided, could result in death or serious injury.

**⚠ WARNING** Failure to properly torque all fasteners could result in component failure which, if not avoided, could result in death or serious injury.

Figure 49



## 21. Routine Maintenance and Daily Inspection

1. Daily or before each trip, check the suspension to be sure it is fully operational.
2. Inspect all decals to ensure they are clearly legible and intact. Clean with a terry cloth towel, soap and water.
3. Visually inspect air springs for sufficient inflation and that the suspension is at proper ride height. For ride height details and measurements, refer to Section 7 of this manual.

### 21.1 Initial Three (3) Months or 5,000 Mile (8,000 km) Service Inspection

1. Suspension ride height (underside of frame to centerline of axle) **MUST** be within  $\pm 1/4"$  (6 mm) of recommended design height. For instructions on measuring ride height, refer to Section 7.

**CAUTION** An improperly set ride height could result in suspension component damage and/or poor vehicle ride performance.

2. After first three (3) months or 5,000 miles (8,000 km) of service, whichever comes first, inspect bolts and nuts at the pivot connections to ensure they are properly torqued. Check all other nuts and bolts for proper torque, refer to the specifications listed in Section 20. Re-torque as necessary thereafter.
3. With the vehicle on a level surface and air pressure above 85 psig (5.9 bars), verify that all air springs are of sufficient and equal firmness.

**NOTE:** Check all air control system fittings for air leaks, by applying a soapy water solution and checking for bubbles at all air connections and fittings.

### 21.2 Routine Physical Inspections

Every 100,000 Miles (160,000 km) or one (1) year, whichever comes first.

Check all other suspension components for any sign of damage, looseness, torque loss, wear or cracks. Repair, tighten or replace damaged part(s) to prevent equipment breakdown.

### 21.3 Visual Inspection Procedure

**IMPORTANT:** A schedule for physical and visual inspections should be established by the operator based on severity of operation or damage to the vehicle could occur.

**IMPORTANT:** During each pretrip and safety inspection of the vehicle, a visual inspection of the suspension should be done or damage to the vehicle could occur.

Visually check for:

- Loose, broken or missing fasteners. Repair or replace as needed.

**WARNING** Loose, damaged, or missing fasteners can cause loss of vehicle control which, if not avoided, could result in death or serious injury.

- Air springs – clearances, wear damage, and proper inflation.
- Shock absorbers – leaking or damaged.
- Cracked parts or welds.



## 22. Troubleshooting

PROBLEM	POSSIBLE CAUSE	RESOLUTION
All air springs flat (no air)	Insufficient air pressure to suspension	Make sure air pressure is in excess of 85 psig (5.9 bars).
		Test and verify that the air pressure protection valve is functioning properly using the instructions in Sections 8 and 9. Replace if necessary.
		Inspect and verify that the height control valve is functioning properly by following the inspection procedures in Section 9.
	Check air compressor, refer to manufacturer's service manual.	
	Air leakage from the suspension air system or the air brake system	Test for air leakage from loose fittings or damaged air lines, air springs, brake actuators or height control valve – apply a soapy water solution to the connections and air springs, if necessary, and check for bubbles (leaks). Tighten loose fittings to stop leakage and/or replace worn or damaged parts.
Air springs deflate rapidly when vehicle is parked	Air leakage from the suspension air system	Test for air leakage from loose fittings between air tank and air suspension or damaged air lines, air springs or height control valve – apply a soapy water solution to connections and air springs, if necessary, and check for bubbles (leaks). Tighten loose fittings to stop leakage and/or replace worn or damaged parts with new ones.
Air springs ruptured	Tire, tire rim or brake component rubbing air spring	Check inside to inside tire dimension. There MUST be 1" (25.4 mm) minimum clearance around air spring. If not, it may be necessary to re-install the suspension.
		Install tire rim back spacers to provide more clearance.
	Spring brake chamber rubbing air spring	Re-locate chamber or rotate clamp ring for more clearance.
Air spring failed	Continual or repeated over-extension of the air spring	Visually inspect for broken or loose shock absorber or shock absorber mounting bracket. Re-connect loose parts and replace any defective parts.
		Check the adjustment of the height control valve, refer to Section 7.
	Air spring(s) worn out	Replace air spring(s), refer to Section 13.
	Air leak or damaged line	Check air spring for punctured or leak and replace with proper air spring, check for proper clearance around air spring, 1" (25.4 mm) minimum.
		Test for air leakage from damaged air lines – apply a soapy water solution to the air lines and connections and check for bubbles (leaks). Tighten loose fittings to stop leakage and/or replace worn or damaged parts.
	Restricted air lines(s) between the height control valve and the air spring(s)	Disconnect the height control valve linkage and rotate the actuating lever to the 20° down position. If the air spring(s) remain inflated, check for pinched or blocked line(s).
"Temporary Operation"	If attempts to repair air loss have failed to correct the problem, disconnect the height control valve linkage and exhaust all air from the system. Cautiously drive at a reduced speed to the nearest repair facility. An internal rubber bumper built into the air spring will make it possible to temporarily operate the vehicle without air pressure.	
Ride height too high or too low	Height control valve out of adjustment	Re-adjust the height control valve, refer to the height control valve adjustment procedures in Section 7.
Front pivot connection worn and loose	Fixed frame bracket pivot wear washers worn	Replace worn internal wear washers and realign axles.
	SwingAlign™ pivot alignment plates worn	Replace worn alignment plates and realign axles, refer to Section 19.
	Front pivot bolt loose	Tighten front pivot bolt connection. Replace all worn or damaged components, refer to Section 15 and 16.
	Excessive lateral axle walk – 3/4" (19 mm) is maximum	Re-weld axle connection, refer to Section 6 for welding specifications. Replace worn front pivot connection bushing with proper service repair kit. For proper kit, refer to SAF-HOLLAND® Aftermarket Parts Manual. For replacement procedures, refer to Section 15 and 16.
Shock absorber failures	Over-extending shock absorbers	Re-adjust height control valve to proper suspension ride height, refer to Section 7.
		Check suspension specification sheet to verify mounting height, or refer to Section 7 for correct ride height and adjustment procedure.
		Replace shock absorber(s) with correct length and/or proper replacement, refer to Section 14.
Excessive tire wear	Loose or worn bushings at pivot connection	Check pivot connection bushings for damage, wear and/or loose components. Replace damaged or worn components, refer to Section 15 and 16 tighten loose connections to proper torque specification, refer Section 20. For proper service repair kit, refer to SAF-HOLLAND® Aftermarket Parts Manual.
		Check axle alignment and re-align, if necessary.
	Suspension NOT properly installed	Contact SAF-HOLLAND® Service Department and/or the trailer manufacturer to address improper suspension installation.



From fifth wheel rebuild kits to suspension bushing repair kits, SAF-HOLLAND Original Parts are the same quality components used in the original component assembly.

SAF-HOLLAND Original Parts are tested and designed to provide maximum performance and durability. Will-fits, look-alikes or, worse yet, counterfeit parts will only limit the performance potential and could possibly void SAF-HOLLAND's warranty. Always be sure to spec SAF-HOLLAND Original Parts when servicing your SAF-HOLLAND product.

**SAF-HOLLAND USA • 888.396.6501 • Fax 800.356.3929**

**[www.safholland.us](http://www.safholland.us)**

**SAF-HOLLAND CANADA • 519.537.3494 • Fax 800.565.7753**

**WESTERN CANADA • 604.574.7491 • Fax 604.574.0244**

**[www.safholland.ca](http://www.safholland.ca)**

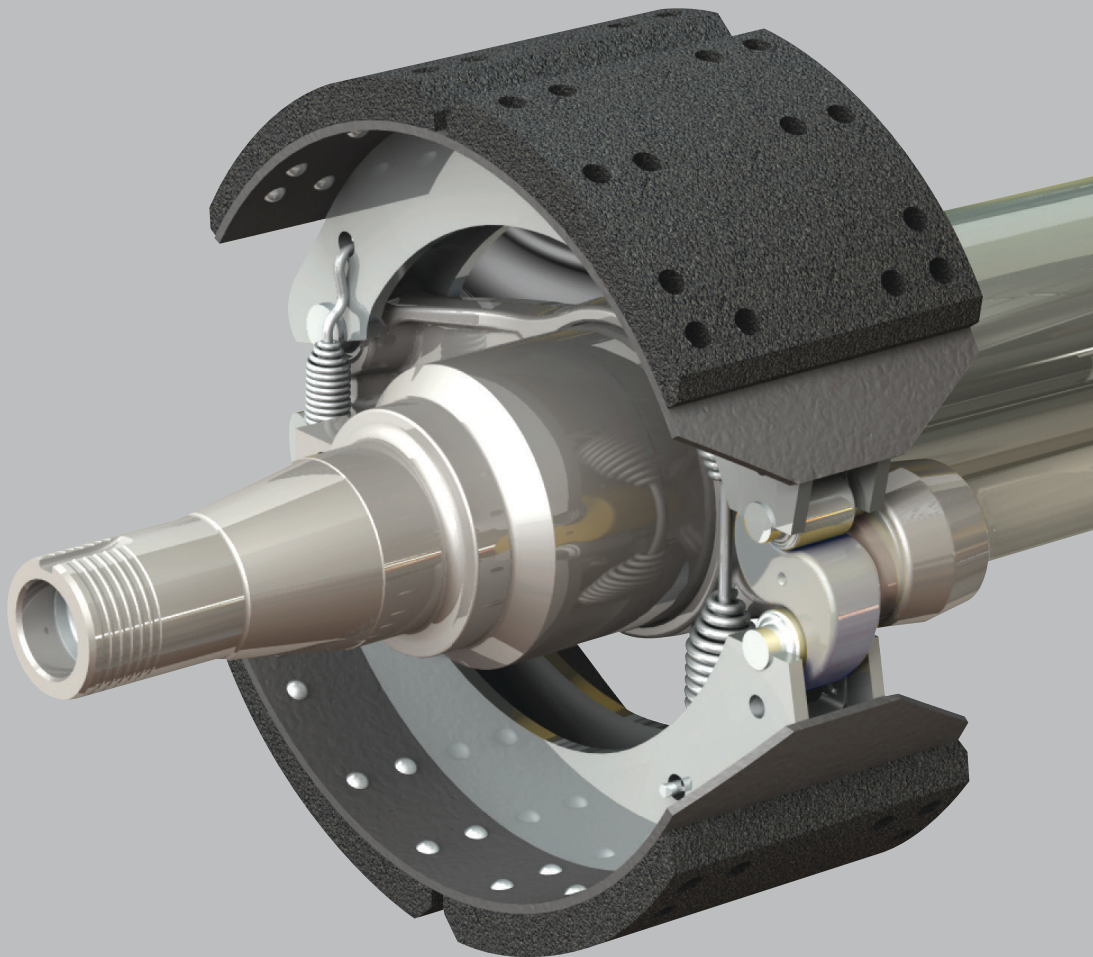
**SAF-HOLLAND MEXICO • 52.55.5362.8743 • Fax 52.55.5362.8743**

**[www.safholland.com.mx](http://www.safholland.com.mx)**

**[info@safholland.com](mailto:info@safholland.com)**

## Service Manual for Drum Brake Axles

### Tapered and Parallel Spindle Axles



Contents	Page
Introduction.....	3
Warranty.....	3
Notes, Cautions, and Warnings .....	3
Section 1 – General Safety Instructions .....	4
Section 2 – Model Identification.....	5
Section 3 – Identification Tag .....	5
Brake Components Parts List Prior to November 30, 2012.....	6
Brake Components Parts List After November 30, 2012.....	7
Section 4 – Hubs, Bearings and Seal Removal.....	8
Section 5 – Bearing Inspection .....	10
Section 6 – Hubs, Bearings and Seal Installation.....	11
Section 7 – Hub Bearing Adjustment .....	13
Section 8 – Hub Cap Installation .....	15
Section 9 – Filling Hub with Lubricant (Oil Based) .....	15

Contents	Page
Section 10 – Retracting the Brake Shoes or Slack Adjuster Control Arm(s).....	16
Section 11 – Brake Shoe Removal .....	17
Section 12 – Brake Shoe Installation .....	19
Section 13 – Brake Adjuster Removal .....	22
Section 14 – Brake Adjuster Installation .....	22
Section 15 – S-Camshaft and Bearing Removal Procedure ...	23
Section 16 – S-Camshaft and Bearing Installation .....	24
Section 17 – Brake Adjustment Procedure .....	26
Section 18 – ABS Sensor Replacement Procedure .....	27
Section 19 – Wheel Installation Procedure.....	28
Section 20 – Axle Alignment Inspection.....	28
Section 21 – Routine Service Schedule .....	29
Section 22 – Torque and Lubrication Specifications.....	30
Section 23 – Troubleshooting Chart.....	31

## Introduction

This manual provides the necessary information for the maintenance, inspection, and safe operation of the SAF® axle/brake system.

Read this manual before using or servicing this product and keep it in a safe location for future reference. Updates to this manual, which are published as necessary, are available on the internet at [www.safholland.us](http://www.safholland.us).

Use only SAF-HOLLAND® Original Parts to service the SAF-HOLLAND® INTEGRAL™ drum brake axle. A list of technical support locations that supply SAF-HOLLAND® Original Parts and an Aftermarket Parts Catalog are available on the internet at [www.safholland.us](http://www.safholland.us) or contact Customer Service at 888-396-6501.

## Warranty

Refer to the complete warranty for the country in which the product will be used. A copy of the written warranty is included with the product or available on the internet at [www.safholland.com](http://www.safholland.com).

## Notes, Cautions, and Warnings

Before starting any work on the unit, read and understand all the safety procedures presented in this manual. This manual contains the terms “NOTE”, “IMPORTANT”, “CAUTION”, and “WARNING” followed by important product information. These terms are defined as follows:

**NOTE:** Includes additional information to enable accurate and easy performance of procedures.

**IMPORTANT:** Includes additional information that if not followed could lead to hindered product performance.

**CAUTION** Used without the safety alert symbol, indicates a potentially hazardous situation which, if not avoided, could result in property damage.

**⚠ CAUTION** Indicates a potentially hazardous situation which, if not avoided, could result in minor or moderate injury.

**⚠ WARNING** Indicates a potentially hazardous situation which, if not avoided, could result in death or serious injury.

## 1. Safety Instructions

### General and Servicing Safety Instructions

- Read and observe all Warning and Caution hazard alert messages. The alerts provide information that can help prevent serious personal injury, damage to components, or both.

**▲WARNING** Failure to follow the instructions and safety precautions in this manual could result in improper servicing or operation leading to component failure which, if not avoided, could result in death or serious injury.

- All installation should be performed by a properly trained technician using proper/special tools, and safe procedures.

**NOTE:** In the United States, workshop safety requirements are defined by federal and/or state Occupational Safety and Health Act (OSHA). Equivalent laws could exist in other countries. This manual is written based on the assumption that OSHA or other applicable employee safety regulations are followed by the location where work is performed.

**IMPORTANT:** Use only SAF-HOLLAND® Original Parts to service your SAF-HOLLAND® INTEGRAL™ drum brake axle.

**▲WARNING** Failure to maintain the SAF-HOLLAND® INTEGRAL™ drum brake with SAF-HOLLAND® Original Parts can result in brake or wheel bearing failure which, if not avoided, could result in death or serious injury.

- Properly support and secure the vehicle and axles from unexpected movement when servicing the unit.

**▲WARNING** Failure to properly support the vehicle and axles prior to commencing work could create a crush hazard which, if not avoided, could result in death or serious injury.

- If possible, unload the trailer before performing any service procedures.
- After re-positioning the brake chamber, brake adjuster and/or ABS system as instructed in this manual, ALWAYS consult the manufacturer's manual for proper operation.

**IMPORTANT:** Key components on each axle system including but not limited to suspension, brake adjuster, brake chambers, bearings, hubs, and drums require information supplied by the original manufacturer of the components to ensure proper and safe operation of the axle system.

**▲WARNING** Failure to follow the original manufacturer's instructions regarding spring brake or air pressure control could allow an uncontrolled release of energy which could result in death or serious injury.

- Service both roadside and curbside of an axle. Worn parts should be replaced in sets. Key components on each axle's braking system, such as friction material, rotors and drums will normally wear over time.

### Operational and Road Safety Instructions

- The wheel contact surfaces between the wheel and hub **MUST NOT** receive additional paint.

**IMPORTANT:** The wheel contact surfaces **MUST** be clean, smooth and free from grease.

**▲WARNING** Failure to keep wheel and hub contact surfaces clean and clear of foreign material could allow wheel/hub separations which, if not avoided, could result in death or serious injury.

- Only the wheel and tire sizes approved by the trailer builder can be used.
- Before operating the vehicle, ensure that the maximum permissible axle load is not exceeded and that the load is distributed equally and uniformly.
- Make sure that the brakes are not overheated from continuous operation.

**▲WARNING** Failure to minimize the use of brakes during overheating conditions could result in deterioration of brake efficiency which, if not avoided, could result in death or serious injury.

- The parking brake **MUST NOT** be immediately applied when the brakes are overheated.

**CAUTION** If the parking brake is immediately applied to the brakes when overheated, the brake drums could be damaged by different stress fields during cooling.

- Observe the operating recommendation of the trailer manufacturer for off-road operation of the installed axles.

**IMPORTANT:** The definition of OFF-ROAD means driving on non-asphalt/non-concrete routes, such as gravel roads, agricultural and forestry tracks, on construction sites and in gravel pits.

**IMPORTANT:** Off-road operation of axles beyond the approved application design could result in damage and impair suspension system performance.

- SAF® axles require routine service, inspection and maintenance to maintain optimum performance, operational and road safety, and to recognize natural wear and defects before they become serious. Please refer to the Service Manual for Drum Brake Axles XL-TA1000060M-en-US which can be found at [www.safholland.us](http://www.safholland.us) or contact our customer service group at 888-396-6501.

## 2. Model Identification

The Drum Brake Axle Serial Tag is located near the center of the axle tube (**Figure 1**).

## 3. Identification Tag

The sample tag illustrated will help interpret the information on the SAF-HOLLAND USA Inc®. serial number tag. The model number, axle body part number, axle beam rating, and serial number are listed on the tag (**Figure 2**).

Record the tag numbers below for future quick reference.

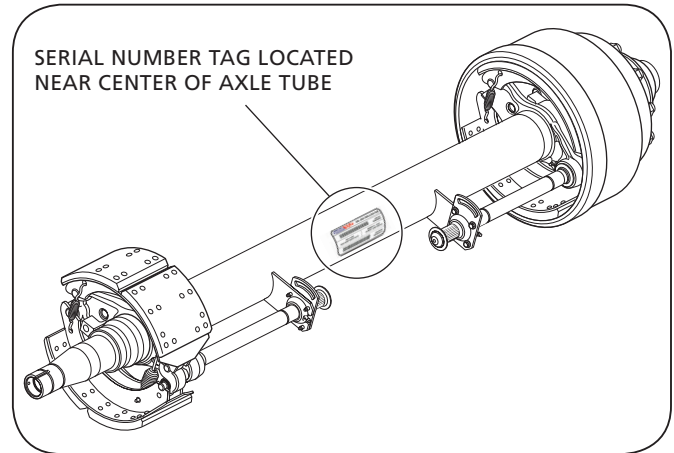
Axle Body Part Number \_\_\_\_\_

Model Number \_\_\_\_\_

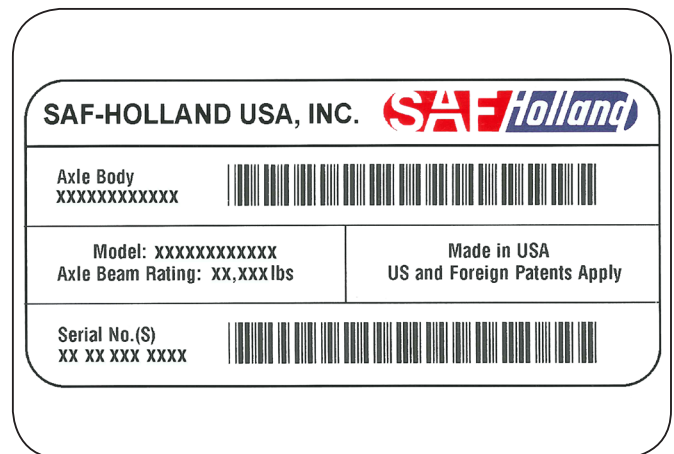
Axle Beam Rating \_\_\_\_\_

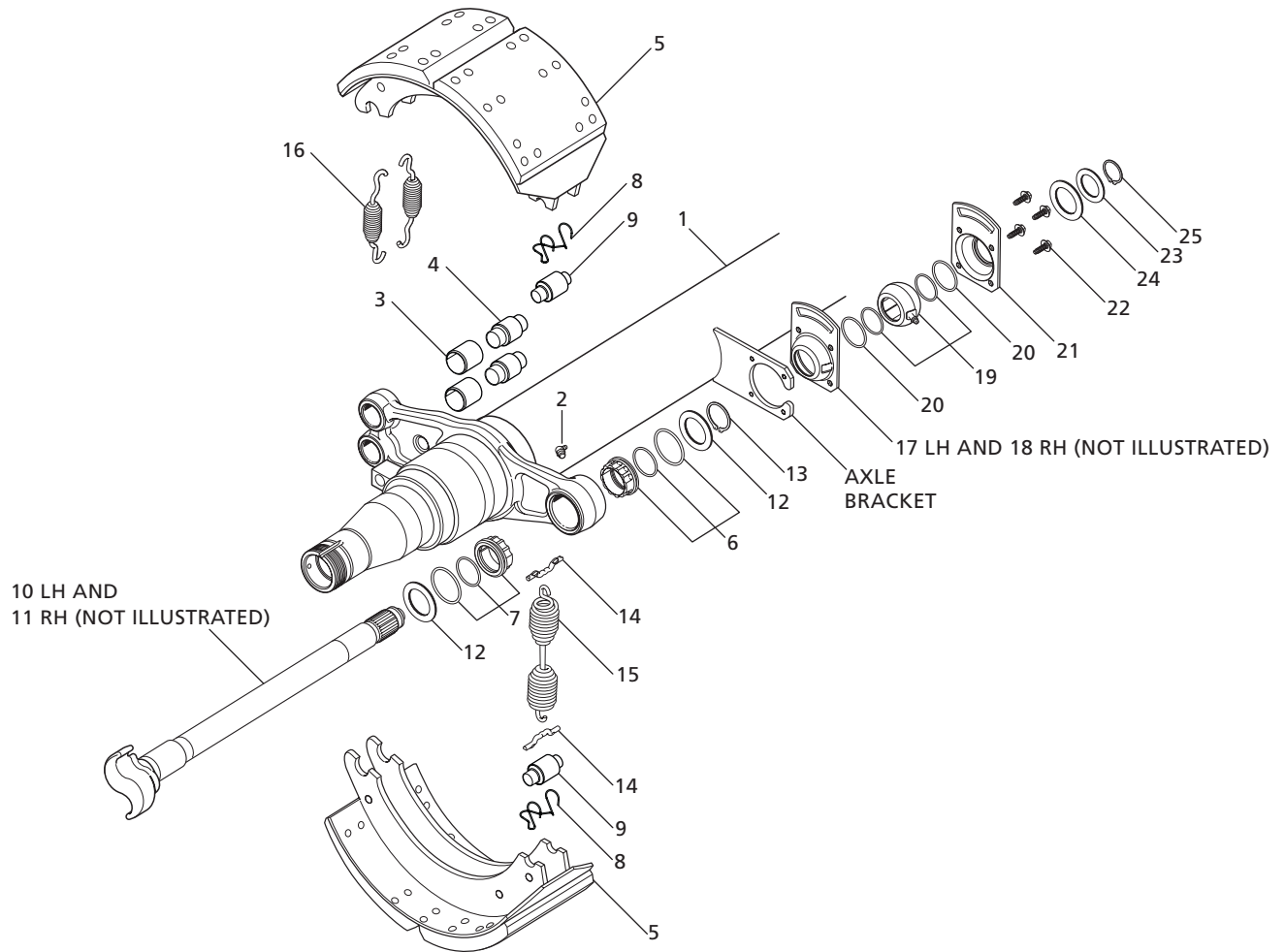
Serial Number \_\_\_\_\_

**Figure 1**



**Figure 2**



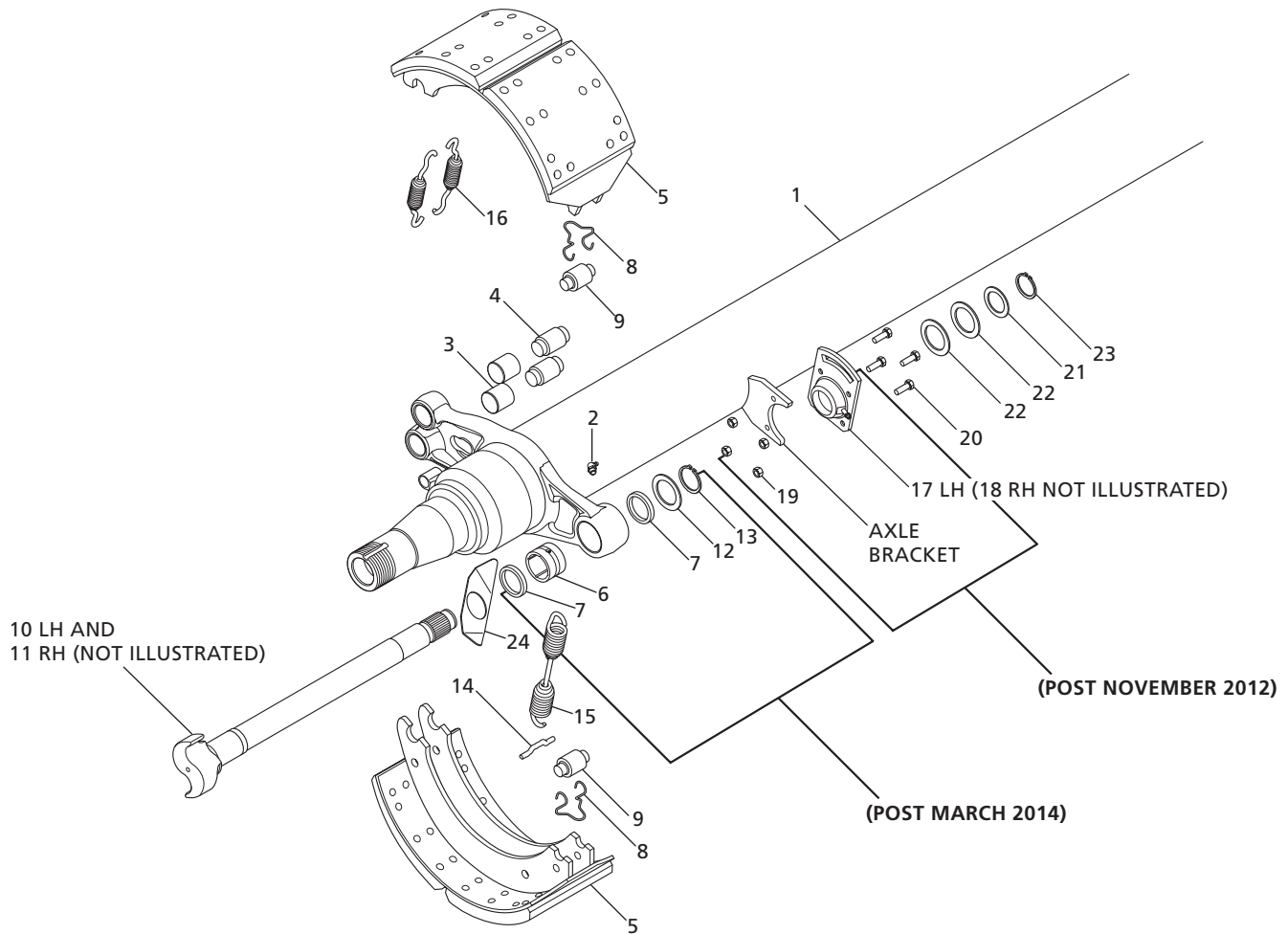


TAPERED SPINDLE AXLE ILLUSTRATED

BRAKE COMPONENTS		
ITEM	DESCRIPTION	QTY
1	Axle Body Assembly	1
2	Fitting, Lubrication	2
3	Bushing, Anchor Pin	4
4	Pin, Anchor	4
5	Brake Shoe Assembly	4
6	Bearing Assembly, S-Cam-Spider inboard	2
7	Bearing Assembly, S-Cam-Spider Outboard	2
8	Retainer, Roller	4
9	Roller, Brake Shoe	4
10	S-Camshaft, Left-Hand	1
11	S-Camshaft, Right-Hand (not shown)	1
12	Washer, S-Cam Bearing-Outboard	4
13	Retainer Ring	2

BRAKE COMPONENTS		
ITEM	DESCRIPTION	QTY
14	Return Spring Pin	4
15	Spring, Return-Hub/Drum	2
16	Spring, Anchor Pin	4
17	Housing, S-Cam Bearing, Left-Hand Slotted	1
18	Housing, S-Cam Bearing, Right-Hand Slotted	1
19	Bearing Assembly S-Camshaft	2
20	O-Ring, S-Camshaft Bearing Seal-Inboard	4
21	Housing, S-Cam Bearing	2
22	Screw, Thread Rolling Tapping	8
23	Washer, Shaft End	2
24	Washer, Shaft End	2
25	Retaining Ring	2

**NOTE:** Refer to Drum Brake Axle Parts Manual XL-TA10058PM-en-US for axle component and service kit part numbers.



TAPERED SPINDLE AXLE ILLUSTRATED

BRAKE COMPONENTS		
ITEM	DESCRIPTION	QTY
1	Axle Body Assembly	1
2	Fitting, Lubrication	2
3	Bushing, Anchor Pin	4
4	Pin, Anchor	4
5	Brake Shoe Assembly	4
6	Bushing, Cam Bearing	2
7	Cam Seal, Spider	4
8	Retainer, Cam Roller	4
9	Roller, Brake Shoe	4
10	S-Camshaft, Left-Hand	1
11	S-Camshaft, Right-Hand (not shown)	1
12	Washer, S-Cam Bearing-Outboard	2

BRAKE COMPONENTS		
ITEM	DESCRIPTION	QTY
13	Retainer Ring	2
14	Return Spring Pin	4
15	Spring, Return-Hub/Drum	2
16	Spring, Anchor Pin	4
17	Cam Bearing Kit - Left-Hand	1
18	Cam Bearing Kit - Right-Hand (not shown)	1
19	Nut, Lock	8
20	Bolt, Hex Head Cap	8
21	Washer, Shaft End	2
22	Washer, Shaft End	4
23	Retaining Ring	2
24	Guide PLate, Brake Roller Shoe	2

**NOTE:** Refer to Drum Brake Axle Parts Manual XL-TA10058PM-en-US for axle component and service kit part numbers.



## 4. Hubs, Bearings and Seal Removal

**NOTE:** Before starting any axle/brake service procedures, park the vehicle on a level surface. Block the wheels to prevent the vehicle from moving. Support the vehicle and axle(s) with safety stands. **DO NOT** work under a vehicle supported only by jacks. Jacks can slip or fall over. Serious personal injury and damage to components can result.

**⚠ WARNING** Failure to properly support the vehicle and axles prior to commencing work could create a crush hazard which, if not avoided, could result in death or serious injury.

1. Release the trailer brakes and cage the spring brakes according to the spring brake manufacturer's instructions. Remove the tire and wheel assembly to access the hub and drum.
2. Remove the drum from the hub using a support device such as a drum dolly (**Figure 3**).

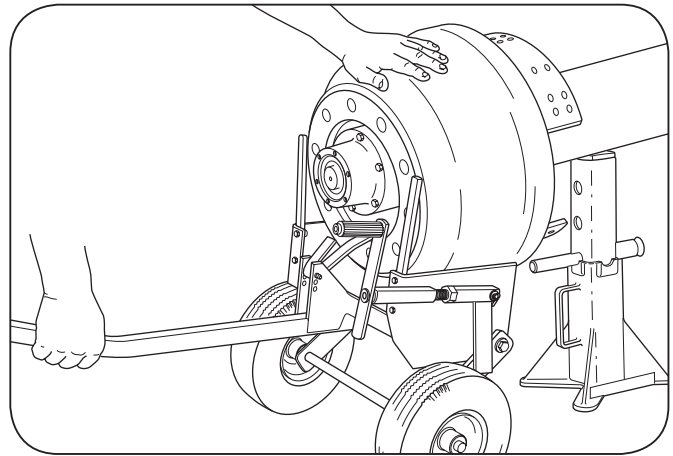
**⚠ CAUTION** Failure to support weight during installation or removal of the brake drum could create a crush hazard which, if not avoided, could result in minor to moderate injury.

**NOTE:** It is necessary to retract the brake shoes in accordance with the brake adjuster's manufacturer manual to allow the brake drum to clear the brake shoes during brake drum removal.

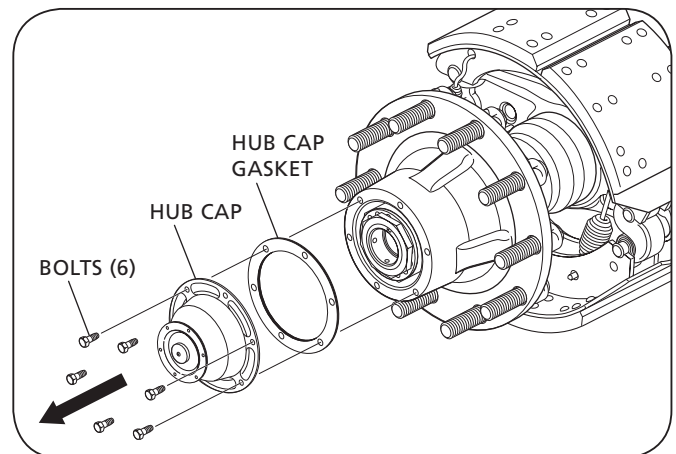
3. Remove the hub cap and gasket by removing six (6) bolts (**Figure 4**).

**NOTE:** Be prepared to collect lubrication fluid when removing the hub cap.

**Figure 3**



**Figure 4**



4. Remove the set screws (**Figure 5**).
5. Remove the axle nut from the spindle using a wrench with the axle nut socket. If the unit is equipped with a Pro-Torq® spindle nut, remove the nut and skip Step 5 (**Figure 6**).
6. Release the axle washer and the inner axle nut from the spindle (**Figure 6**).
7. Remove the outer hub bearing from the spindle (**Figure 6**).

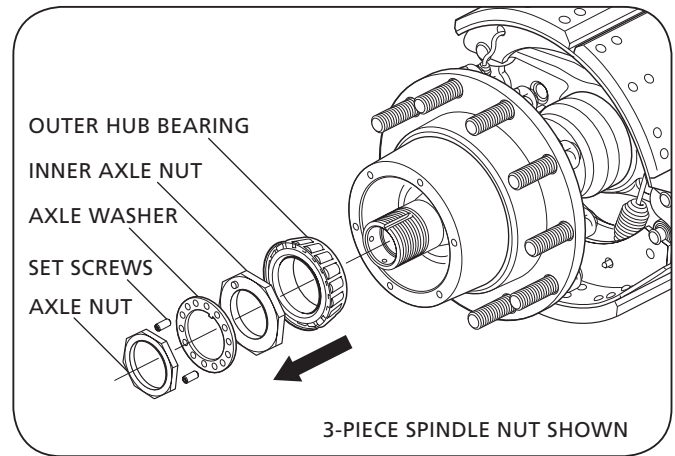
**NOTE:** With the axle nut, washer, and inner nut removed, it is possible to access the outer bearing.

**CAUTION** DO NOT hit steel parts with a steel hammer as parts could break, sending flying steel fragments in any direction creating a hazard which, if not avoided, could result in minor to moderate injury.

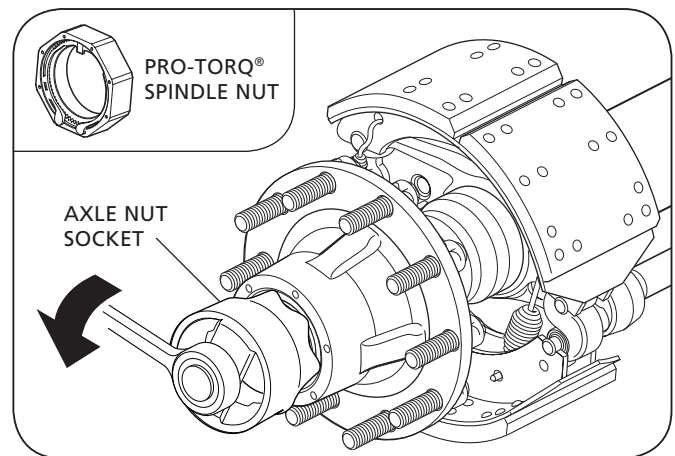
8. Grasp the hub assembly with both hands and pull the hub assembly off the axle spindle (**Figure 7**).

**NOTE:** Depending on the type of hub seal, the hub seal and inner bearing could remain on spindle or come off with hub assembly.

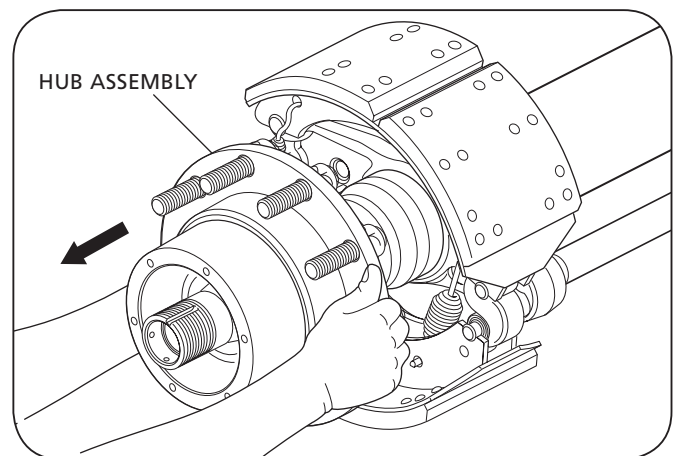
**Figure 5**



**Figure 6**



**Figure 7**



9. Remove the inner hub bearing from the spindle or from the inside of the hub (**Figure 8**).
10. Remove the hub seal from the hub bore using a pry bar. A spindle mount hub seal can be driven off the spindle by striking the ring from the back side or prying off with a crow's foot bar. Discard the used hub seal and use a new hub seal during re-assembly being careful not to gouge the spindle shoulder (**Figure 8**).

**CAUTION** DO NOT use a chisel to cut the seal. The shoulder can be damaged, resulting in a leak which could lead to wheel end and/or brake failure.

## 5. Bearing Inspection

**CAUTION** Thoroughly clean the bearings. DO NOT mix a synthetic base grease or oil with an organic/mineral base lubricant.

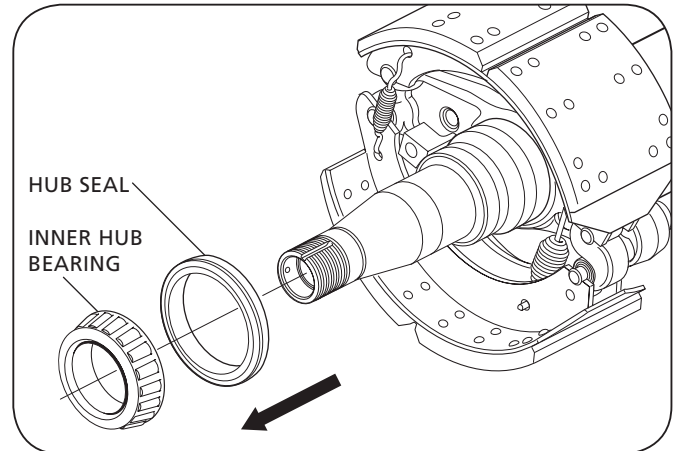
**CAUTION** DO NOT spin dry the hub bearings with compressed air. Bearing damage could result.

1. After removing the hub assembly, clean excess grease from the bearings.

**IMPORTANT:** A bearing which has been removed from a vehicle should be cleaned with solvent. When cleaning DO NOT use steam or water which will cause the bearings to rust.

**IMPORTANT:** Bearings that are rusted, flaked, pitted, or have damaged cages should be replaced. It is recommended to replace all questionable bearings and ALWAYS replace the cup and cone as a matched set. NEVER re-assemble a tapered roller bearing in a damaged or worn housing or on damaged or worn spindles. Housings or spindles should be replaced and NOT re-machined if the bearing journal is worn.

**Figure 8**



## 6. Hubs, Bearings and Seal Installation

### 6.1 Spindle mounted Hub Seal Installation instructions (Refer to 6.2 for hub mounted Hub Seal instructions)

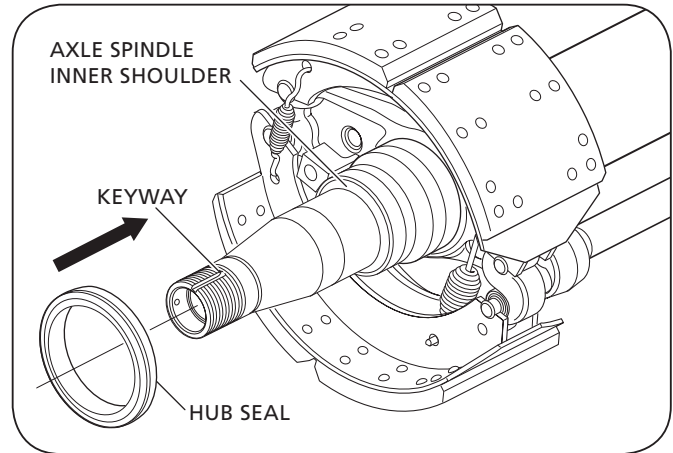
1. Before installing the hub seal on the axle spindle, inspect the machined spindle seal surface for nicks, scratches, burrs or marks. If needed, use crocus cloth or emery cloth to repair any damaged areas.
2. Clean the threads and the keyway thoroughly with a wire brush to avoid false bearing adjustments and to avoid introduction of contaminants into the lubricant cavity.
3. Thoroughly clean the spindle and spindle threads of rust, dirt, grease or any other contaminants that could damage the hub seal and cause it to leak.

**CAUTION**

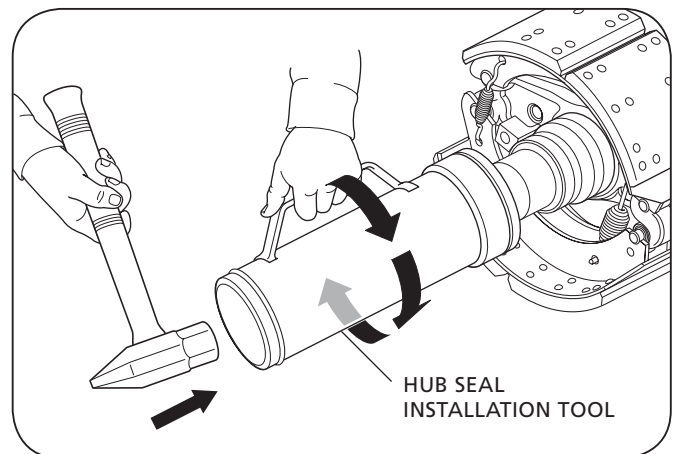
NEVER install a spindle mounted hub seal in the hub and then force it onto the axle spindle by tightening the axle nut. Damage to the seal will result.

4. The seal assembly should be placed on the spindle so the words "Oil Bearing Side" are exposed to the oil (**Figure 9**).
5. Drive the hub seal into place using the seal installation tool and hammer. Rotate the hub seal installation tool in 1/4-turn intervals with every hammer tap until the seal is properly seated with the metal face of the seal flush with the inner shoulder of the axle spindle (**Figure 10**).
6. Apply a thin coat of oil to the O.D. of the seal.
7. Prepare the hub. Remove the old lube and thoroughly clean the hub cavity and hub bore. Inspect the inner hub bore for roughness. If needed, use an emery cloth to remove any burrs or old bore sealant.

**Figure 9**



**Figure 10**



8. Install the inner and outer bearing cups into hub (**Figure 11**).
9. Pre-lube the inner bearing with the lubricant that is being retained and place it into the hub.

**CAUTION** Failure to lubricate the bearing correctly and maintain proper lubrication could result in bearing damage.

**NOTE:** If using grease and not oil for hub lubrication, the inner and outer bearing, and the hub cavity **MUST** be pre-packed with grease before installation. Lubricate the wheel end components with grease specified in the lubrication table in Section 22.

10. Push the hub onto the spindle until it contacts the seal. Pre-lube the outer bearing with the lubricant that is being retained and place it into the hub.

**CAUTION** Support the hub against the spindle inner shoulder until the outer bearing and adjusting nut are installed. **DO NOT** ram the hub into the bearing shoulder, which, if not avoided, could damage the hub seal.

## 6.2 Hub Mounted Hub Seal Installation Instructions

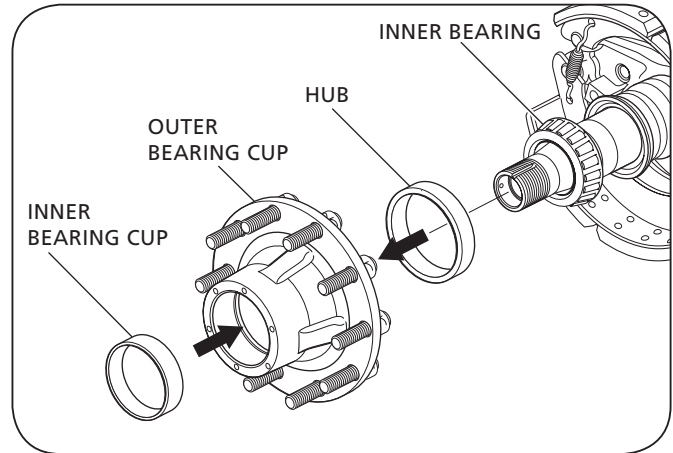
1. Remove all the burrs from the hub bore and the spindle. Thoroughly clean the hub cavity and spindle.
2. Place the hub on a smooth, hard surface in a horizontal position. Pre-lube the inner bearing with the lubricant that is being retained and place it into the hub bearing cup (**Figure 12**).

**NOTE:** When using grease, pre-pack the inner bearing before placement into the hub.

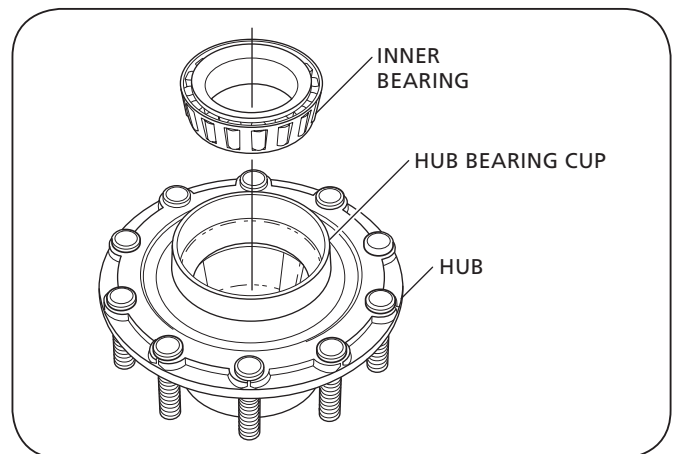
3. With the correct head on the hub seal installation tool, place the hub seal on the installation tool, so that the words "Lube Side" face the inner bearing. Place the tool (with the seal correctly mounted in the tool head) into the hub bore. Use a three to five pound hammer to drive against the end of the tool. Drive the seal into the bore until complete bottoming is assured (**Figure 13**). Remove the Installation Tool and apply a thin layer of lubricant on the I.D. surface of the seal. Ensure the inner bearing rotates freely. Install a new seal if the seal is crooked or damaged or after installation.

**NOTE:** **DO NOT** apply lubricant to the O.D. of the seal.

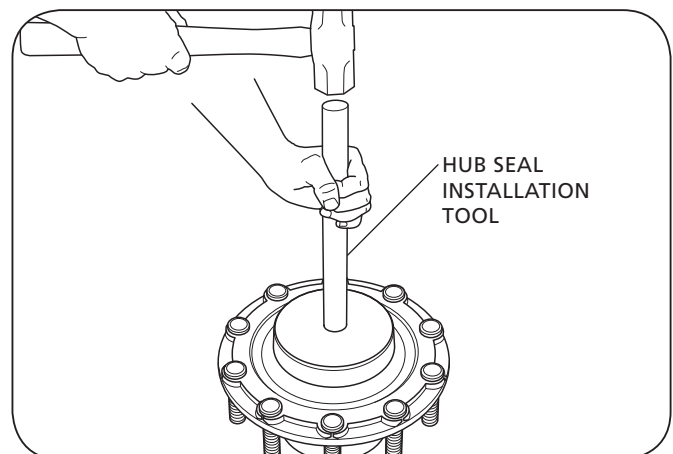
**Figure 11**



**Figure 12**



**Figure 13**



4. Align the hub bore to the center of spindle with mechanical supports. Gently push the hub assembly onto the spindle until the seal is seated against the bearing shoulder. Rotate the hub and lightly strike to ensure that the seal is properly seated against the bearing shoulder.
5. Pre-lube the outer bearing with the lubricant that is being retained and place into the hub.

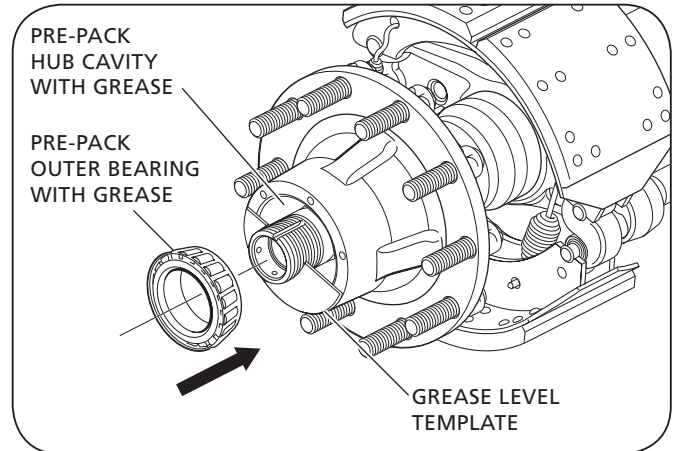
**NOTE:** When using grease, pre-pack the hub cavity. The grease fill amount should be to a three (3) o'clock and nine (9) o'clock level. This is to ensure a 50% hub cavity fill. Use a template to hold the grease in place while filling the hub cavity (**Figure 14**).

## 7. Hub Bearing Adjustment

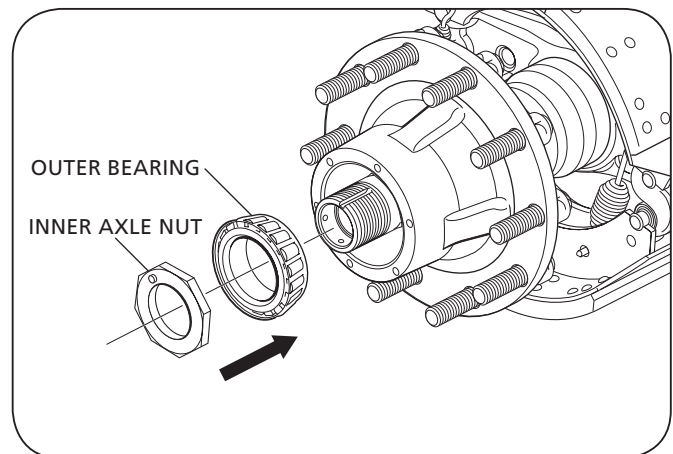
### 7.1 Hub Bearing Adjustment Using 3-Piece Axle Nut

1. Install the bearing inner-axle adjustment nut finger tight against the outer bearing (**Figure 15**).
2. While rotating the hub assembly, tighten the inner axle adjustment nut to 200 ft.-lbs. (271 N•m).
3. Back off the inner axle adjustment nut one full turn and then re-torque the nut to 50 ft.-lbs. (68 N•m) while rotating the hub assembly.
4. Back off the inner axle nut approximately 1/4 turn and install the axle lock washer (**Figure 16**). DO NOT include socket backlash in the 1/4 turn.
5. Install the lock washer. If the hole in the washer is NOT aligned with the pin on the inner nut, turn the washer around and re-install. If the pin and hole are still NOT aligned, slightly adjust parts as needed.
6. Install the outer axle nut finger tight against the axle lock washer (**Figure 16**).
7. Tighten the outer axle nut to 200-300 ft.-lbs. (271-407 N•m).

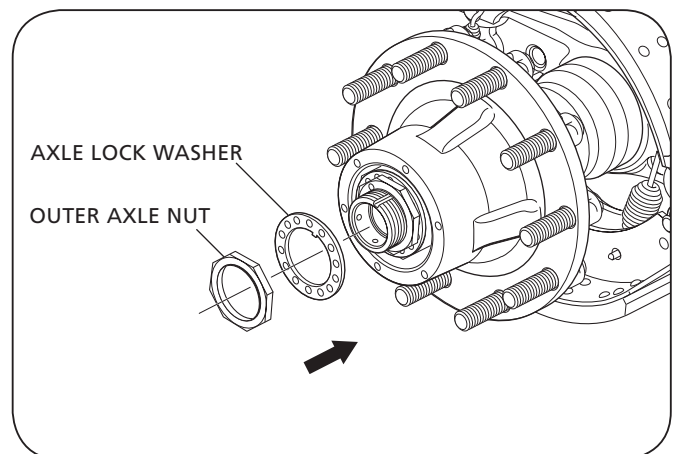
**Figure 14**



**Figure 15**



**Figure 16**



8. Check the wheel bearing end play as follows:
  - a. Attach the magnetic base of a dial indicator to the spindle. Touch the dial indicator stem to the hubcap gasket face (**Figure 17**).
  - b. Reading Number One – Slightly rotate the wheel-end in both directions while pushing inward until the dial indicator does not change. Set the dial indicator to zero (**Figure 17**).
  - c. Reading Number Two – Slightly rotate the hub in both directions while pulling outward until the dial indicator does not change (**Figure 17**).
  - d. End play is the difference between reading number one and reading number two.

**IMPORTANT:** Final adjustment should allow the wheel to rotate freely with 0.001" to 0.005" (0.025 mm to 0.0127 mm) end play. If the end play is NOT within specification, re-adjustment is required.

**⚠ WARNING** Failure to maintain proper hub bearing adjustment could allow bearing failure and wheel-end separation which, if not avoided, could result in death or serious injury.

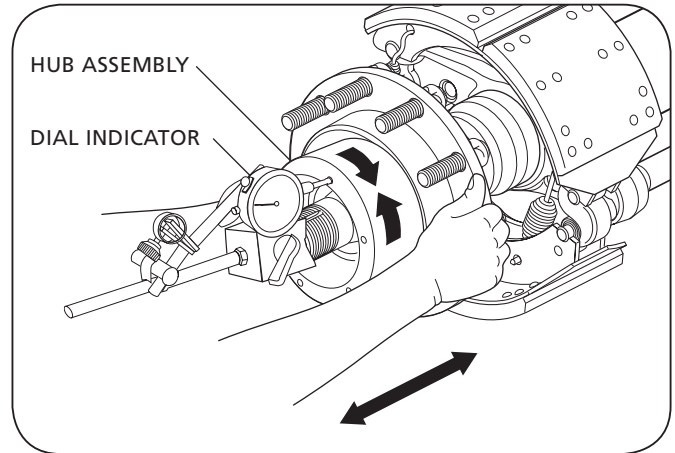
**NOTE:** If the wheel bearing end play needs adjustment, remove the outer nut and the lock washer. Tighten or loosen the inner nut as needed. Return to Step 6.

9. Install the set screw into an accessible threaded hole in the lock washer. Set screw **MUST** contact the inner adjusting nut. Tighten to 16-20 in.-lbs. (1.8-2.2 N•m) (**Figure 19**).

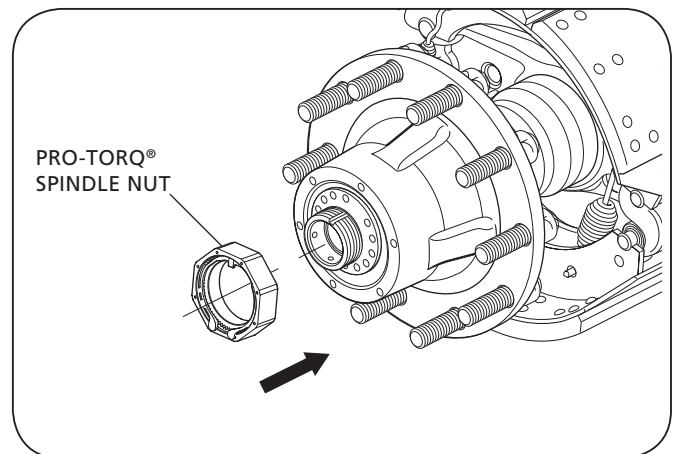
### 7.2. Hub Bearing Adjustment Using Pro-Torq® Axle Nut

The unit could be equipped with a Pro-Torq® spindle nut (**Figure 18**). Refer to Stemco® "Pro-Torq® Installation Instructions" (Part No. 09-571-006) which can be found at [www.stemco.com](http://www.stemco.com) for more information.

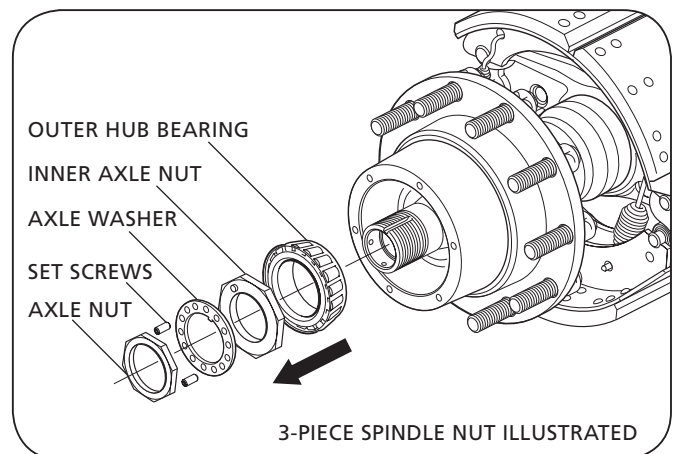
**Figure 17**



**Figure 18**



**Figure 19**



## 8. Hub Cap Installation

1. Install the hub cap assembly, making sure the hub cap gasket is in place (**Figure 20**).

**CAUTION** When installing the hub cap, make sure the hub cap gasket is not bent or damaged.

**CAUTION** DO NOT over torque. This can crush the hub cap gasket and cause a leak.

2. Install the six (6) bolts to secure the hub cap assembly (**Figure 18**). Tighten the bolts to 12-16 ft.-lbs. (16-21 N•m).

## 9. Filling Hub With Lubricant (Oil Based)

**IMPORTANT:** DO NOT mix oil lubricant with grease lubricant. If the bearing assembly has been lubricated with grease DO NOT add oil.

**WARNING** Failure to correctly lubricate the bearings could damage the bearings which, if not avoided, could result in death or serious injury.

1. Remove the plug and fill the hub to the FULL mark with the specified lubricant (oil), through the hole in the hub cap (**Figure 21**).
2. Allow the oil to flow through the bearings and level off.
3. Insert the plug into the hole in the hub cap (**Figure 22**).

**IMPORTANT:** Axles equipped with a centralized tire inflation system MUST use a vented hub cap.

Figure 20

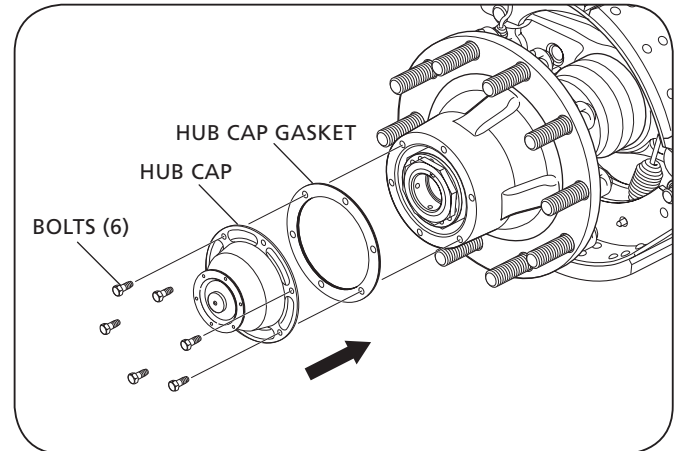


Figure 21

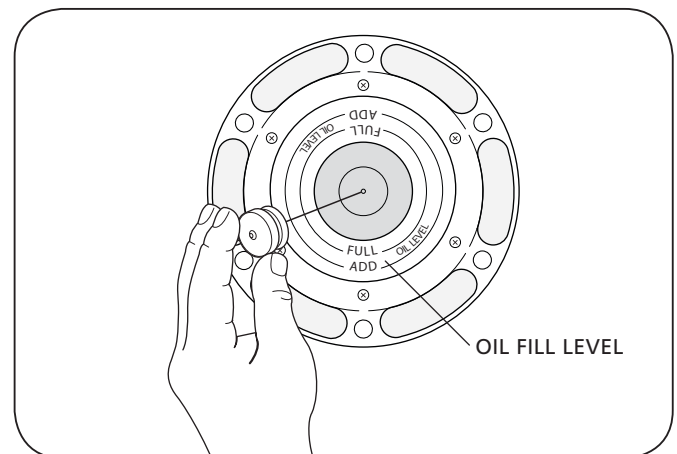
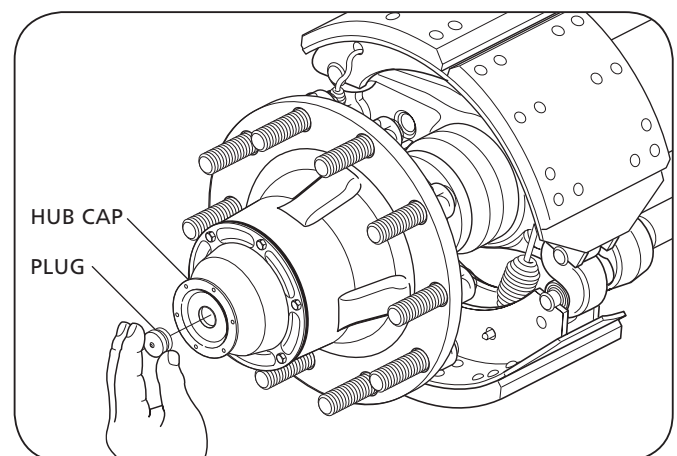


Figure 22





4. Re-install the drum on the hub using a support device such as a drum dolly jack (**Figure 23**).

**CAUTION** Failure to support weight during installation or removal of the brake drum could create a crush hazard which, if not avoided, could result in minor to moderate injury.

**CAUTION** Failure to uncage the spring brakes in accordance with manufacturer's instructions after servicing is complete will prohibit proper brake function, which, could result in uneven brake system component wear.

## 10. Retracting the Brake Shoes or Brake Adjuster Control Arm(s)

**IMPORTANT:** Refer to the brake adjuster's manufacturer's procedures for proper adjustment of the brake adjusters.

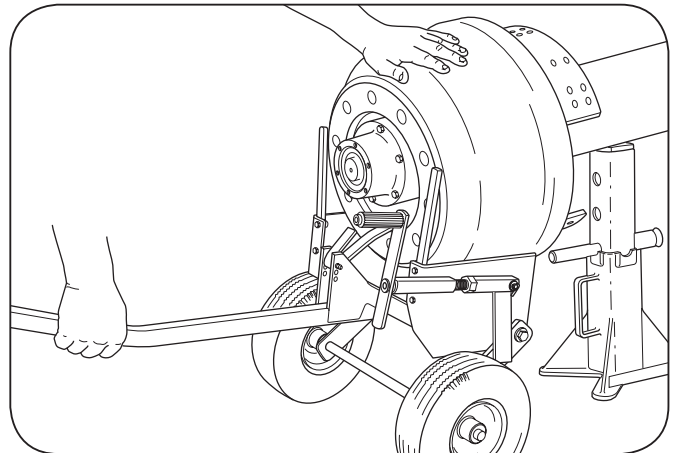
**WARNING** Failure to operate with proper brake adjuster position could render brakes inoperable which, if not avoided, could result in death or serious injury.

**NOTE:** When servicing the brakes, in some instances it could be necessary to fully retract the brake shoes in order to remove the brake drum.

**NOTE:** When removing the S-Camshaft, it is necessary to retract the brake adjuster control arm(s) from the clevis so the brake adjuster can be removed from the S-Cam shaft.

In both of the notes above, the brake shoes or the brake adjuster control arm(s) are retracted by turning the adjusting nut manually on the automatic brake adjuster.

**Figure 23**



## 11. Brake Shoe Removal

**NOTE:** Before starting any axle/brake service procedures, park the vehicle on a level surface. Block the wheels to prevent the vehicle from moving. Support the vehicle and axle(s) with safety stands. **DO NOT** work under a vehicle supported only by jacks. Jacks can slip or fall over. Serious personal injury and damage to components can result.

**⚠ WARNING** Failure to properly support the vehicle and axles prior to commencing work could create a crush hazard which, if not avoided, could result in death or serious injury.

1. Release the trailer brakes and cage the spring brakes according to the spring brake manufacturer's instructions. Remove the tire and wheel assembly to access the hub and drum.
2. Remove the drum from the hub using a support device such as a drum dolly (**Figure 24**).

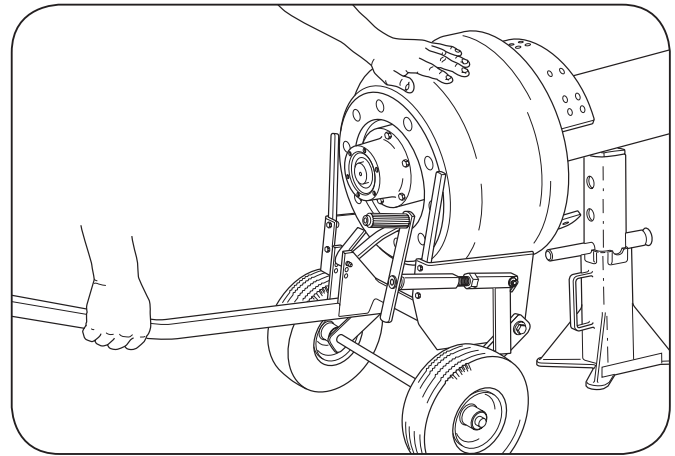
**⚠ CAUTION** Failure to support weight during installation or removal of brake drum could create a crush hazard which, if not avoided, could result in minor to moderate injury.

**NOTE:** It is necessary to retract the brake shoes in accordance with the brake adjuster's manufacturer's manual to allow the brake drum to clear the brake shoes during the brake drum removal.

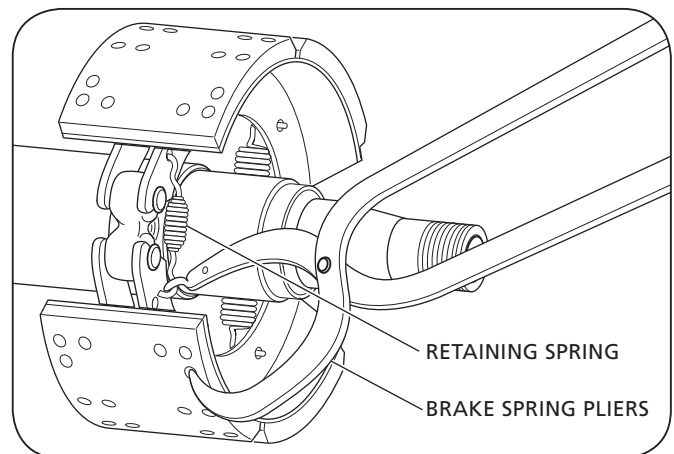
3. Using the brake spring pliers, unhook both the brake retaining springs from the brake shoes (**Figure 25**).
4. Press down on the lower brake shoe to disengage it from the anchor pin. Move the lower shoe to the side of the anchor bracket and lift the upper and lower shoes (still connected by brake return spring) from the anchor pins (**Figure 26**).

**IMPORTANT:** The brake return spring, brake shoe rollers and roller retaining clips will remain on the brake shoes during this procedure.

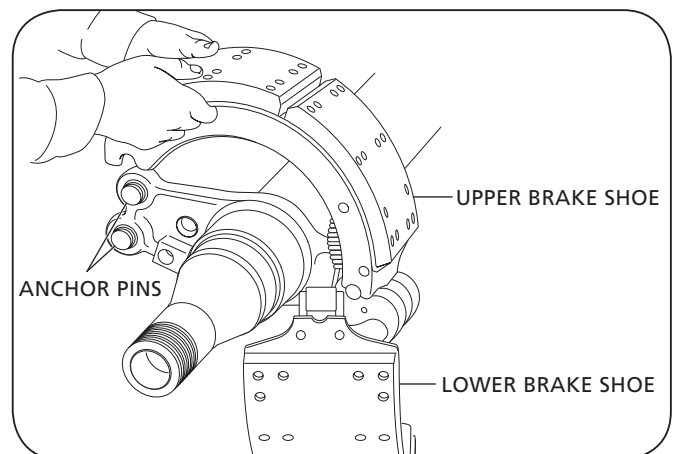
**Figure 24**



**Figure 25**



**Figure 26**



5. Discard the used brake hardware.

**IMPORTANT:** Brake hardware such as brake rollers, roller retaining clips and brake return springs experience fatigue during their normal lifespan and could not have the same performance characteristics as new components. Since most of these brake components are supplied new with the brake overhaul kit, the existing components should NOT be re-used.

6. With the brake shoes off, inspect the S-Camshaft and S-Camshaft bushings for wear. Verify that the S-Cam-to-bushing radial free play is within specification by using a dial indicator and moving the S-Camshaft back and forth (**Figure 27**). Rotate the S-Camshaft in all directions when checking for radial free play.

**NOTE:** Use a dial indicator to verify that S-Cam-to-bushing free play is 0.030" (0.76 mm) or less.

- If radial free play is less than 0.030" (0.76 mm): DO NOT replace the bushings and the seals.
- If radial free play is more than 0.030" (0.76 mm): Replace the bushings and the seals.

7. Inspect the brake shoes and components for wear:

- a. Inspect the spider for expanded anchor pin holes and for cracks. Brake spiders cannot be repaired and **MUST** be replaced with new axle assembly.
- b. Inspect the S-Camshaft bracket for broken welds, cracks and correct alignment. Replace the damaged brackets.
- c. Inspect the anchor pins for corrosion and wear. Replace worn or damaged anchor pins.

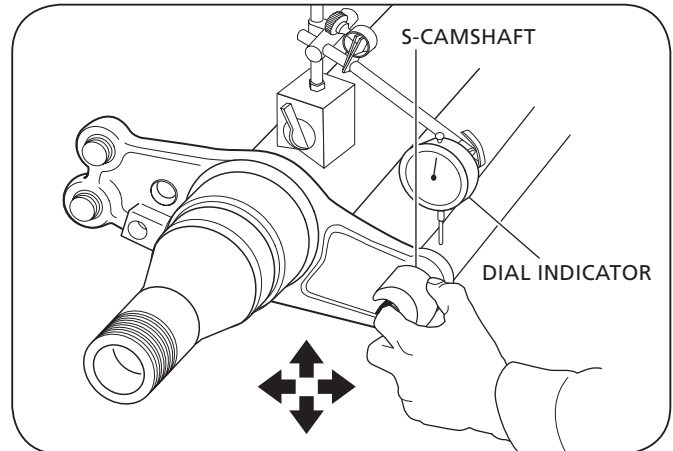
**NOTE:** Follow the brake shoe manufacturer specifications for minimum brake shoe thickness and maximum brake drum inner diameter. A general guideline for replacing brake shoes is when the lining thickness is 1/4" (6 mm) or less, or when the lining rivets have begun to contact the drum (**Figure 28**).

**CAUTION**

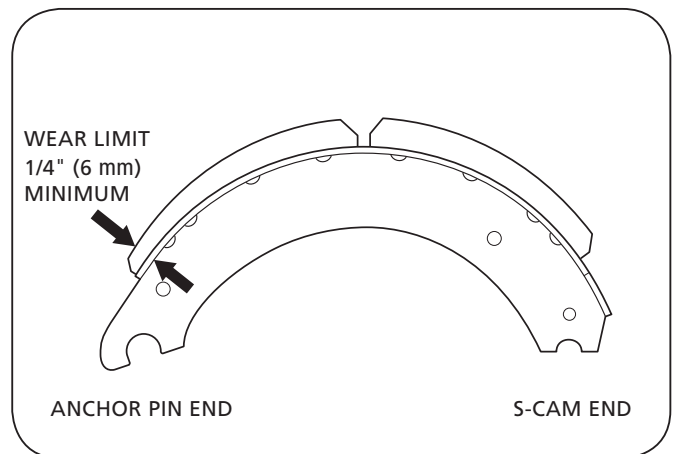
Failure to replace the brake shoes that are excessively worn could result in damage to brake drum or other components.

d. Inspect the brake shoes for wear, expanded rivet holes, broken welds and correct alignment. Replace the shoes as a set with any of the above conditions.

**Figure 27**



**Figure 28**



8. Inspect the brake drums for wear.

**WARNING** DO NOT operate the vehicle with the brake drum worn or machined beyond the discard dimension indicated by the drum manufacturer. The brake system may not operate correctly. Damage to components, death or serious injury, could result.

**CAUTION** Replace the brake drum if it is out-of-round. DO NOT turn or re-bore a brake drum beyond manufacturers recommendations. Doing so could decrease the strength and capacity of the drum which, if not avoided, could result in brake component damage.

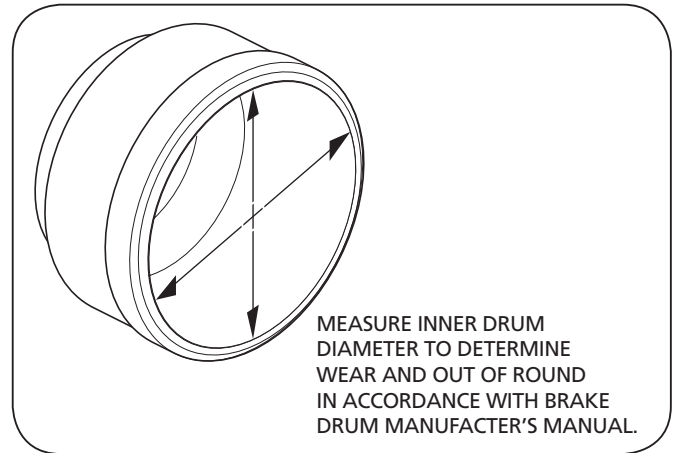
- a. Inspect the brake drums for cracks, severe heat checking, heat spotting, scoring, pitting and distortion. Replace the drums as required.
- b. Measure the inside diameter of the drum in several locations with a drum caliper or internal micrometer (*Figure 29*).
- c. If brake drum is excessively worn or out of round replace the brake drum.

**CAUTION** Failure to replace an out of round brake drum could result in damage to the brake drum or other components.

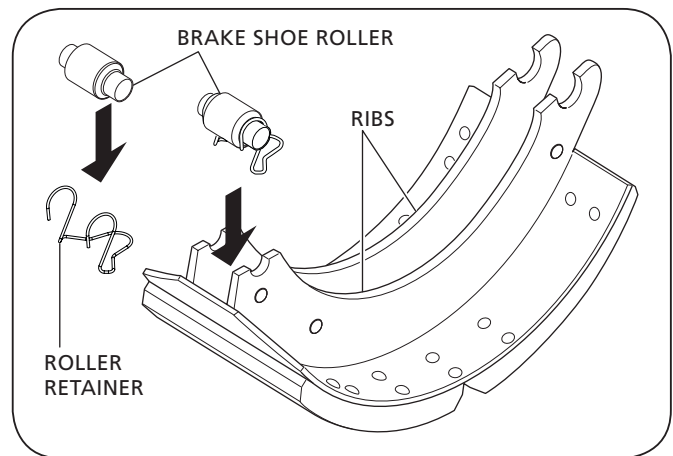
## 12. Brake Shoe Installation

1. Install the brake shoe roller into the roller retainer (*Figure 30*).
2. Install the roller and roller retainer into the brake shoe ribs (*Figure 30*).
3. Coat anchor pins (ends only) completely with lubricant (Never-Seez®) and install (if removed) in the brake spider (*Figure 31*).

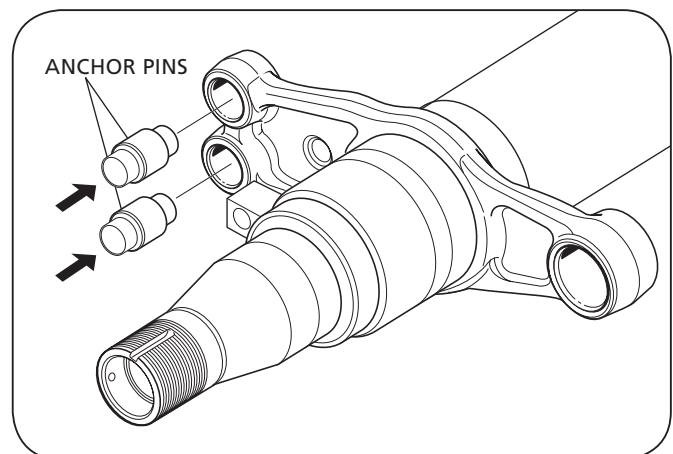
**Figure 29**



**Figure 30**



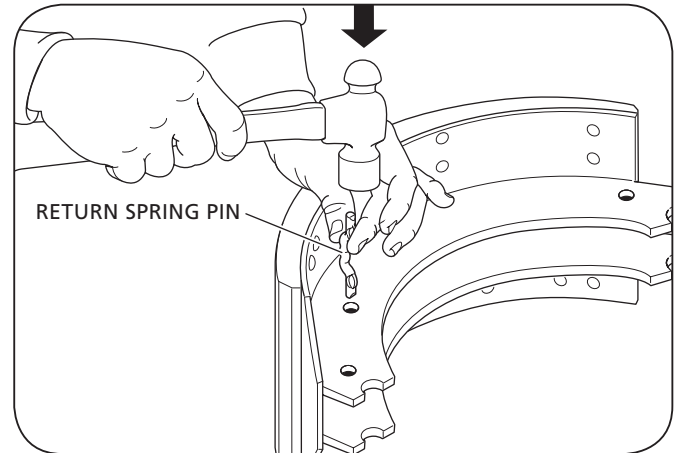
**Figure 31**



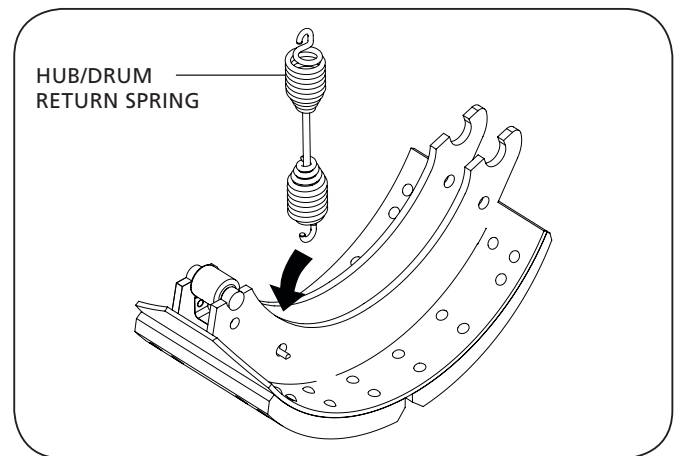
4. Install the return spring pin into the brake shoe ribs (**Figure 32**).
5. Connect the hub/drum return spring to the upper and lower brake shoes (**Figure 33**).
6. Position the roller of the upper brake shoe up against the S-Cam, then place the other end of the shoe against the anchor pin (**Figure 34**).

**CAUTION** Failure to control spring pressure during the brake shoe installation could create a pinch hazard which, if not avoided, could result in minor to moderate injury.

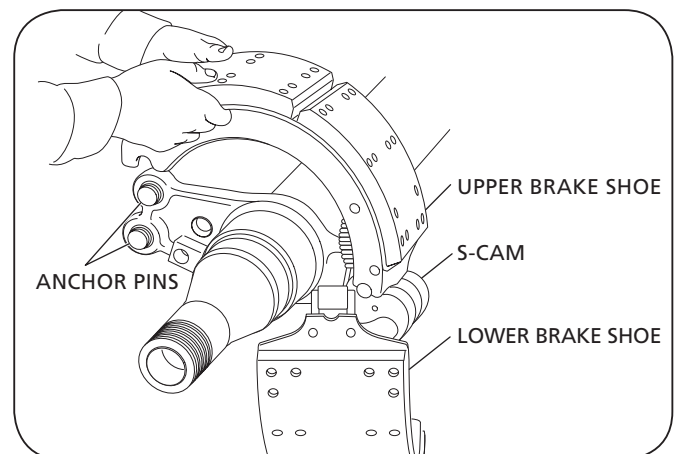
**Figure 32**



**Figure 33**



**Figure 34**

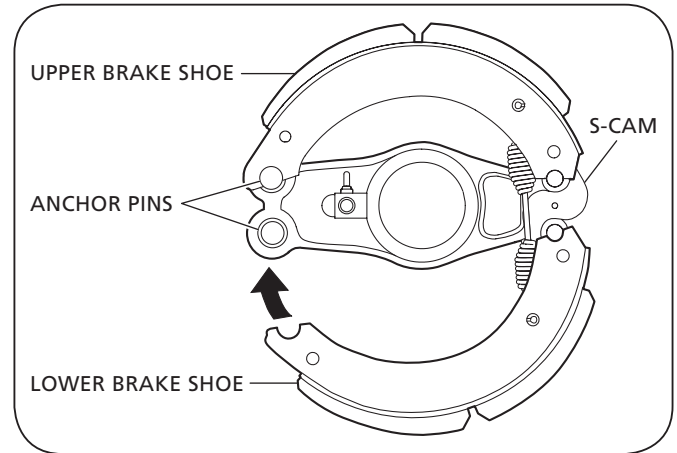


7. Position the roller of the lower brake shoe up against the S-Cam, then place the other end of the shoe against the anchor pin (**Figure 35**).
8. Install the two (2) brake anchor pin springs using the anchor pin pliers (**Figure 36**).
9. Make sure the brake linings are clean.
10. Re-install the drum using a support device such as a drum dolly jack (**Figure 37**).

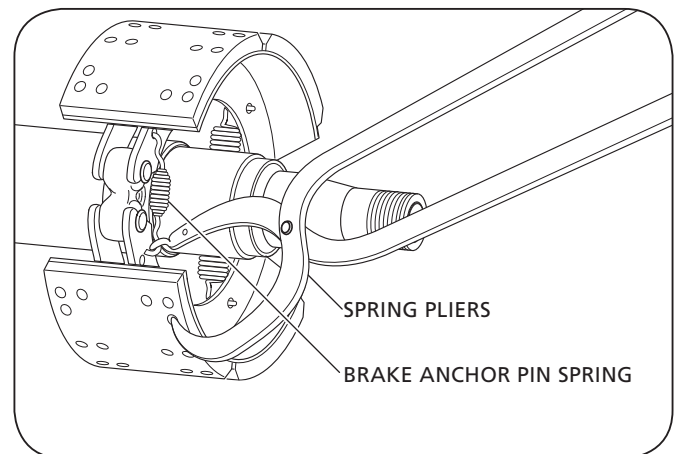
**CAUTION** Failure to support weight during the installation or removal of the brake drum could create a crush hazard which, if not avoided, could result in minor to moderate injury.

11. Adjust the brakes as described in Section 17.

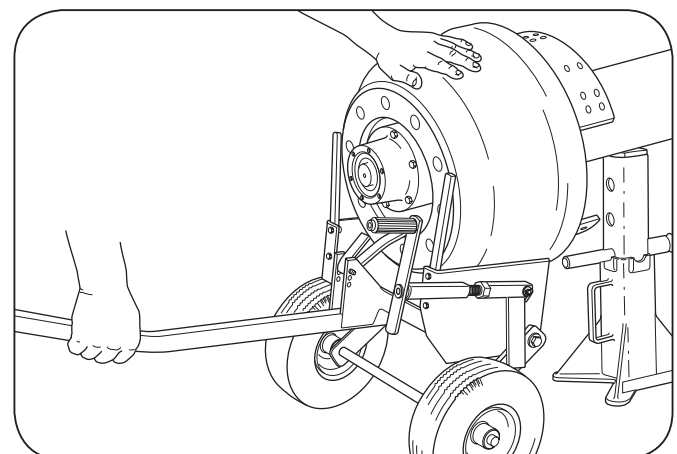
**Figure 35**



**Figure 36**



**Figure 37**



## 13. Brake Adjuster Removal

**NOTE:** Maintenance procedures in this section require re-positioning of the brake adjuster. Consult the manufacturer's manual for procedures to properly operate the brake adjusters.

1. Remove the cotter pins that secure the brake adjuster/brake chamber clevis pins (**Figure 38**). Remove the clevis pins.
2. Remove the retaining ring and washer that secure the brake adjuster to the S-Camshaft (**Figure 39**).
3. Remove the self-adjusting brake adjuster from the spline end of the brake S-Camshaft.
4. Rotate the adjusting mechanism to back the brake adjuster out of the clevis in accordance with the brake adjusters manual.

## 14. Brake Adjuster Installation

1. Apply an even coat of anti-seize compound to splined surface of the S-Camshaft.
2. Position the spacing washers on both sides of the brake adjuster, then install the brake adjuster onto the S-Camshaft spline and secure the brake adjuster on the S-Camshaft by assembling the retaining ring (**Figure 40**).
3. Align the brake adjuster to the clevis and pin together using the clevis pins and the cotter pins (**Figure 38**).
4. Apply service and the spring brake several times. Final brake adjustment is required to ensure proper initial brake operation. The brake adjuster will then seek the proper working stroke during normal operating conditions. Refer to the brake adjuster and brake chamber manufacturers' procedures for proper adjustment.

Figure 38

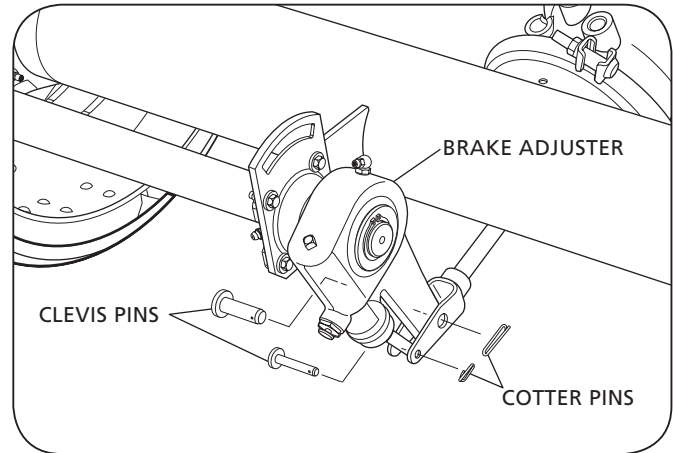


Figure 39

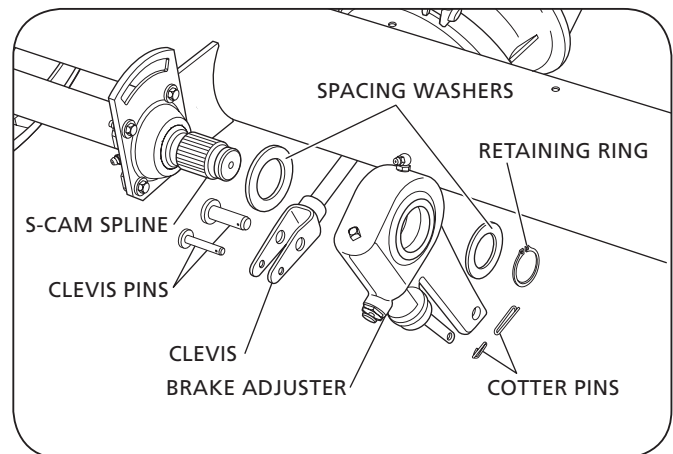
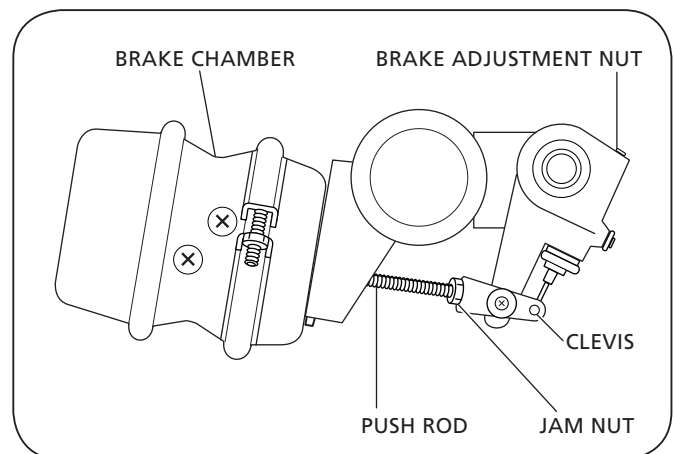


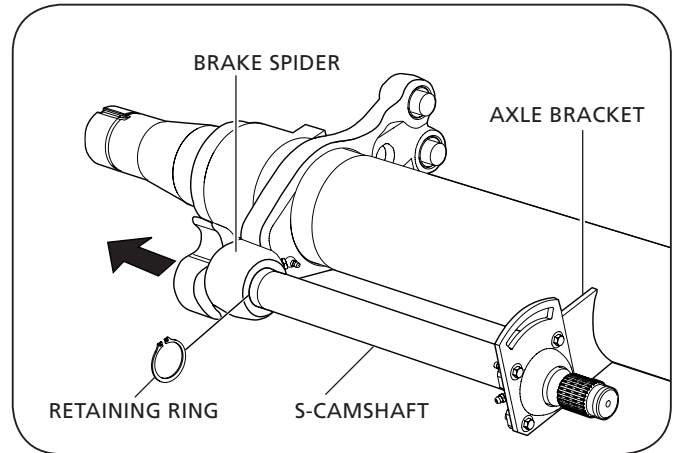
Figure 40



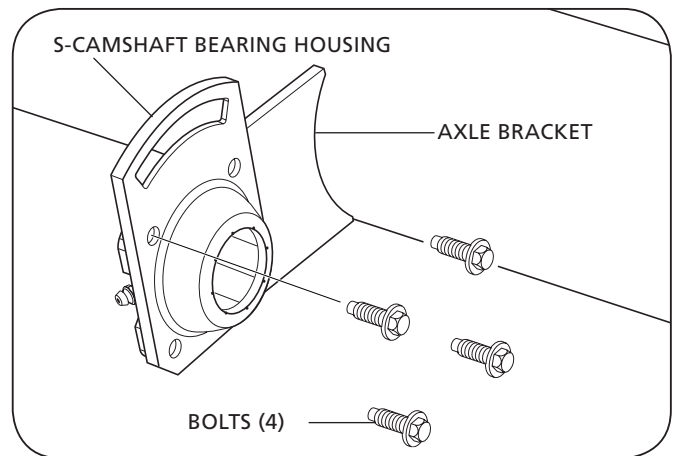
## 15. S-Camshaft and Bearing Removal Procedure

1. Remove the brake shoes and the brake adjuster as described in Section 11 and 13, respectively.
2. Remove the retaining ring from the spider end of the S-Camshaft (**Figure 41**).
3. Remove the S-Camshaft by sliding it out of the S-Camshaft bearing housing and bearings. It could be necessary to tap the end of the shaft with a soft mallet to release it from the bearings (**Figure 41**).
4. Remove the existing bolts securing the S-Camshaft bearing housing to the axle bracket (**Figure 42**).
5. Inspect the bearings assembly for wear and deterioration. Replace as necessary.

**Figure 41**



**Figure 42**





## 16. S-Camshaft and Bearing Installation

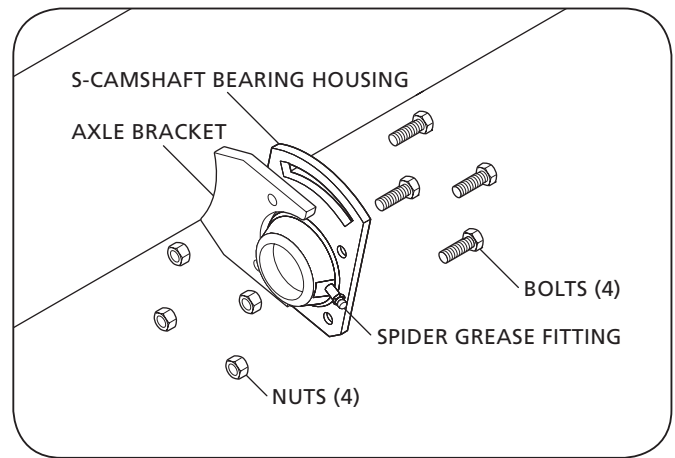
1. Attach the S-Cam bearing housing bracket to the axle bracket, securing it with the four (4) nuts and bolts (**Figure 43**). Tighten the nuts to 15-22 ft.-lbs. (20-30 N•m).
2. Install the S-Camshaft bearing into the brake spider, ensuring that the bearing is centered (**Figure 44**).
3. Install the guide plate, and cam seals on the S-Camshaft and slide the S-Camshaft and the washer assembly through the S-Camshaft bearing in the brake spider (**Figure 44**).

**NOTE:** Cam seals, refer to **Figure 44**, MUST be installed with the metal shoulder oriented toward the wheel, and the open end oriented toward the center of the vehicle. This facilitates complete lubrication of the s-cam bearing while allowing air to purge from the s-cam bearing away from the brake shoes.

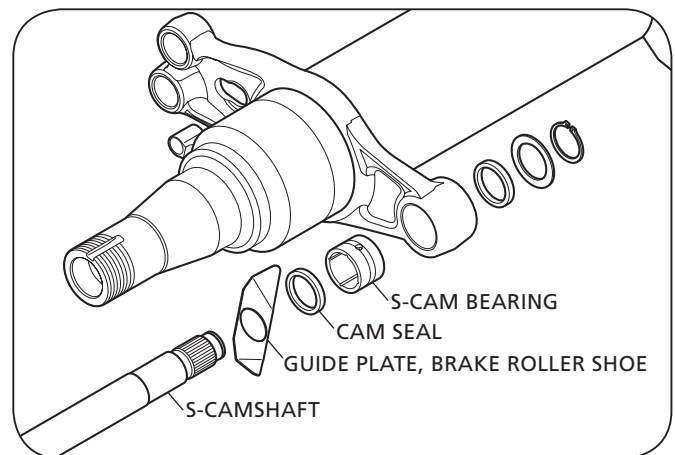
### CAUTION

Failure to center S-Camshaft bearing into the brake spider, and to properly orient cam seals, may not allow grease flow to bearing which, if not avoided, could result in premature bearing failure (**Figure 45**).

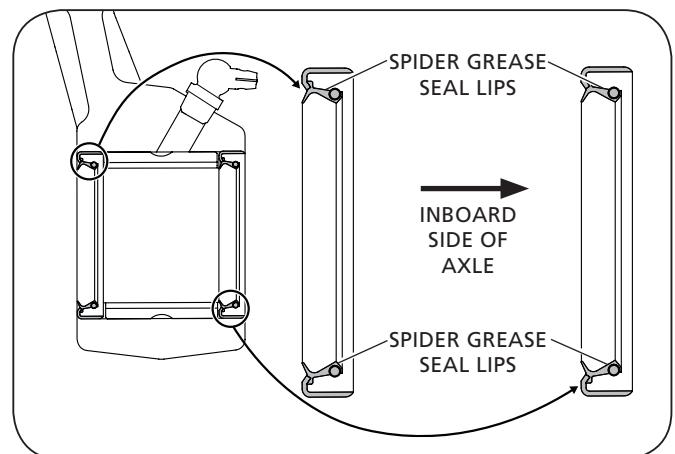
**Figure 43**



**Figure 44**

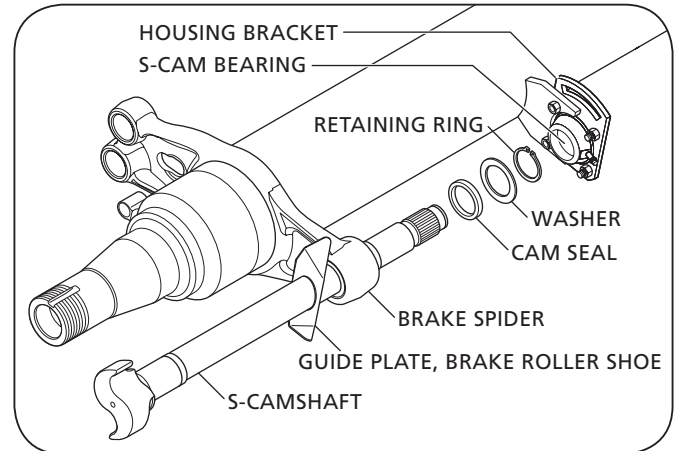


**Figure 45**

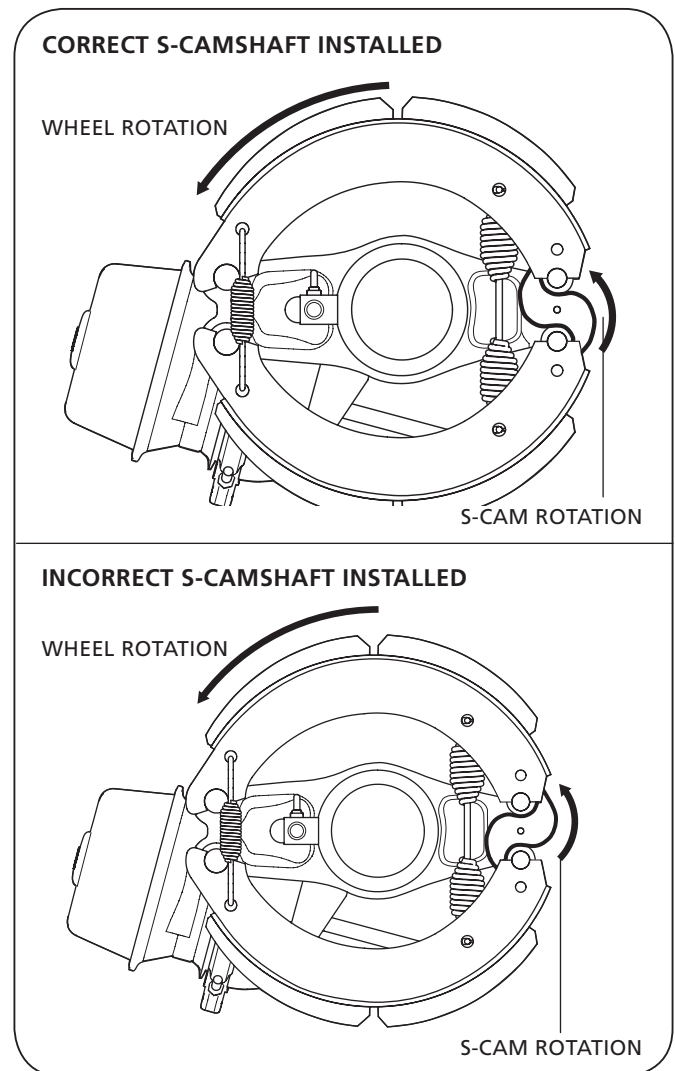


5. Install the cam seal washer and the retaining ring onto the S-Camshaft and slide the S-Camshaft into the S-Camshaft bearing housing bracket (**Figure 46**).
6. Install the brake shoes and the brake adjusters as described in Section 12 and 14, respectively.
7. Inspect the S-Camshaft installation to ensure that the correct S-Camshaft has been installed on the required side of the axle for proper operation (**Figure 47**).
8. Lubricate the S-Camshaft bearings with grease specified in the Lubrication Table in Section 22 (**Figure 48**).

**Figure 46**



**Figure 47**



## 17. Brake Adjustment Procedure

1. Verify that the spring brakes are caged prior to beginning the adjustment procedure.
2. Adjust the brake adjuster until the brake lining contacts the brake drum, then back off 1/2 turn.
3. Apply the service brakes using normal operating pressure (average line pressure should be 90 psi, but not less than 80 psi). Check the following while brake pressure is applied.
  - The optimum distance of the push rod travel should be approximately 1.5"-1.75" (38-44 mm) **(Figure 49)**.
  - Angle between the push rod and the brake adjuster with the brake applied, should be 95°-100° **(Figure 50)**.
  - Brake lining to drum contact. A 0.010" feeler gauge should not fit between the lining and the drum contact area.
4. Release the air pressure from the service brake system and check to see that all brakes release to the normal relaxed position. If all the brakes do not properly release, Refer to Troubleshooting Chart in Section 23.

### CAUTION

Failure to adjust the brakes in accordance with manufacturer's instructions prior to placing the trailer back in service will prohibit proper brake function which, if not avoided, could result in uneven brake system component wear.

5. Uncage the spring brakes.

### WARNING

Failure to uncage the spring brakes in accordance with manufacturers's instructions after servicing is complete will prohibit proper brake function which, if not avoided, could result in death or serious injury.

Figure 48

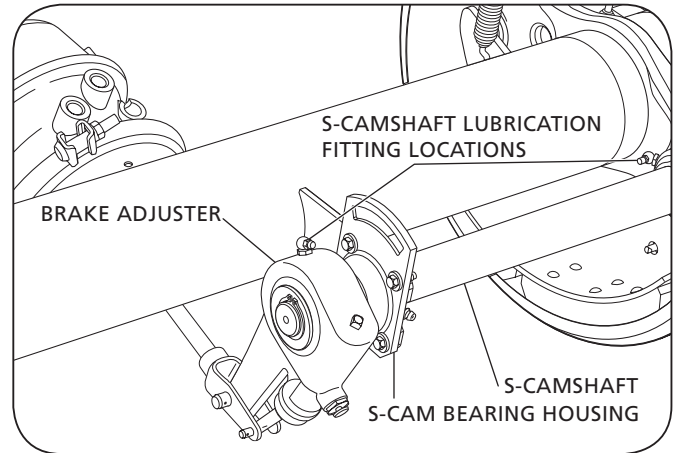


Figure 49

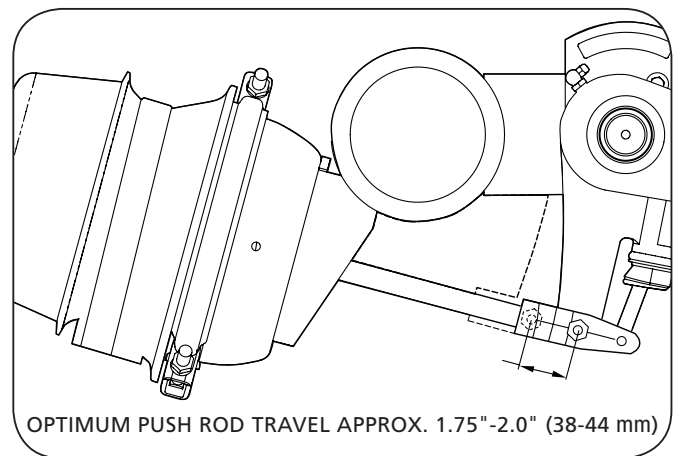
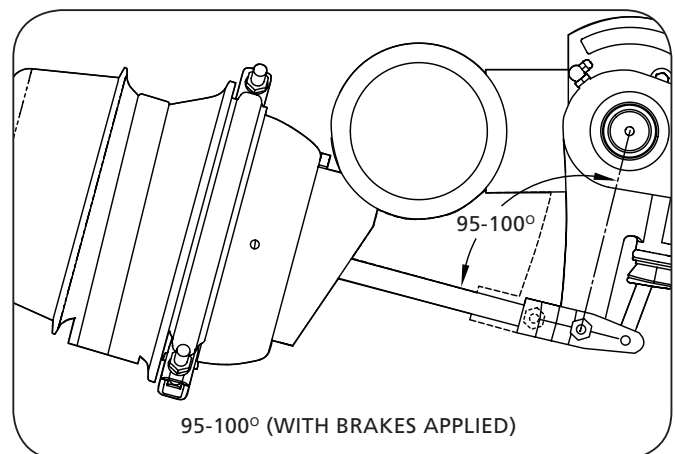


Figure 50



## 18. ABS Sensor Replacement Procedure

### 18.1 Sensor Removal

**NOTE:** ABS sensors MUST match the system. DO NOT mix sensors from different manufacturers.

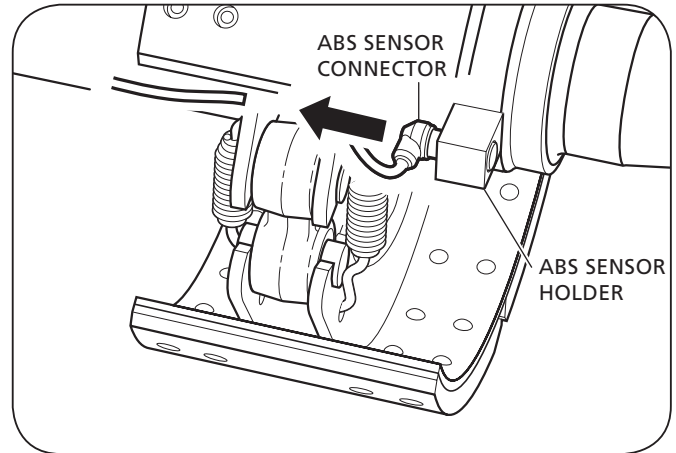
1. Manually release the brakes.
2. Remove the brake drum assembly as described in Section 4.
3. Disconnect the ABS sensor connector and remove the sensor from the sensor holder by pulling straight out (**Figure 51**).
4. Remove the sensor retaining spring clip, if necessary.

### 18.2 Sensor Installation

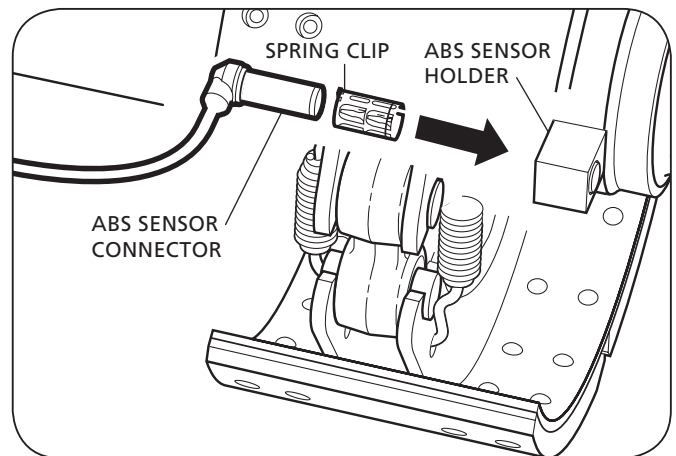
**NOTE:** Be sure to use the correct spring clip for the sensor being installed.

1. Install the sensor retaining spring clip, if removed, into the sensor holder.
2. Install the ABS sensor into the spring clip and the sensor holder. Push the sensor in until it contacts the tone ring (**Figure 52**).
3. Connect the ABS sensor connector.
4. Re-install the drum using support device such as a drum dolly jack (**Figure 37**).
5. Adjust the brakes as described in Section 17.

**Figure 51**



**Figure 52**



## 19. Wheel Installation Procedure

The following information is intended to provide basic wheel installation instructions. Refer to TMC RP222C for complete installation details.

1. Clean all mating surfaces on hub, wheels and nuts.
2. Rotate the hub so a pilot boss is at the top (12 o'clock) position.
3. Mount wheel(s) on hub. One or more of the wheel nuts can be started in order to hold wheel in position.
4. Tighten the top wheel nut first. Apply 50 ft.-lbs. (68 N•m) of torque to draw the wheel up fully against the hub.
5. Install remaining wheel nuts. Using sequence shown in **(Figure 53)**, tighten all wheel nuts to 50 ft.-lbs. (68 N•m) of torque.
6. Repeating sequence shown in **(Figure 53)**, retighten all wheel nuts to 475 ± 25 ft. lbs. ( 644 ± 34 N•m) of torque.
7. Check seating of wheel at the pilot bosses. Rotate wheel and check for any rotational irregularity.

**⚠ WARNING** Retorque all wheel nuts after 5 to 100 miles of service on the initial "in-service" following any installation of wheel to hub assembly.

## 20. Axle Alignment Inspection

**NOTE:** Alignment can be achieved using an optical device designed specifically for this purpose. Follow the instructions in the optical device operating instructions to align the axles.

1. To manually align the axles attached to the trailer, first pull the trailer in a straight line for a sufficient distance to release/clear any binds in the suspension.

**NOTE:** A straight, unbound suspension is the position of a suspension during normal operations.

Using the alignment procedures per the suspension manufacturer's recommendations, align the axles to the following specifications.

2. Measure the distance from the king pin to the centerline of the spindles on each side of the front axle. Dimensions A and B **MUST** be equal to within 1/8" (4 mm) **(Figure 54, A and B)**.
3. Measure the distance from the centerline of the spindles of the front axle to the centerline of the spindles of each additional axle. Dimension C and D **MUST** be equal to within 1/16" (1 mm) **(Figure 54, C and D)**.

Figure 53

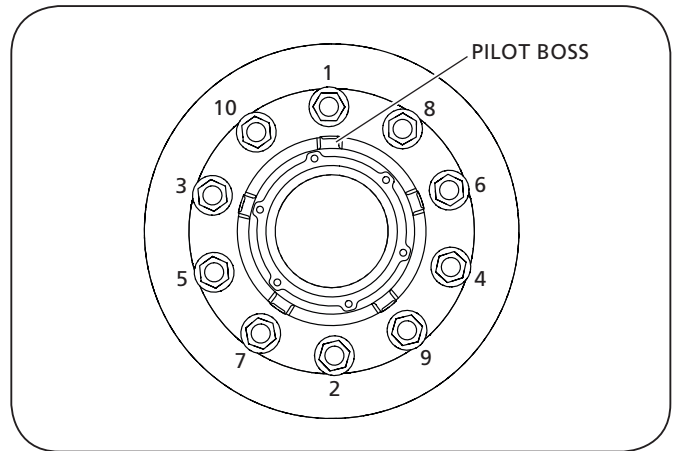
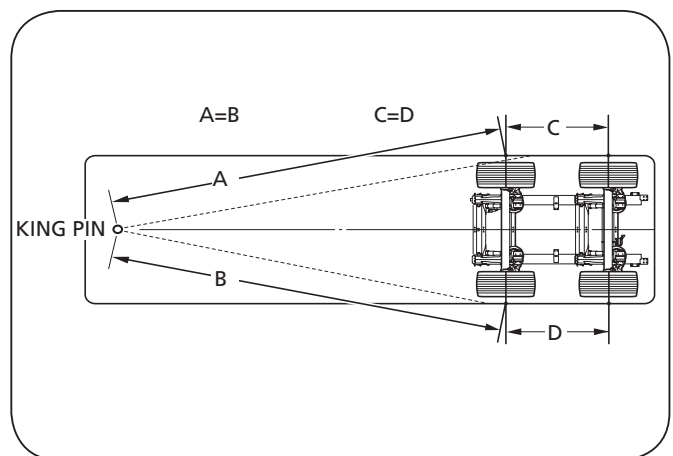


Figure 54



## 21. Routine Service Schedule

WHICHEVER OCCURS FIRST		PERIODIC CHECKS		
MILEAGE INTERVALS	AFTER FIRST 3,000 MILES	EVERY 10,000 MILES	EVERY 50,000 MILES	EVERY 100,000 MILES
TIME INTERVALS	AFTER FIRST MONTH	EVERY MONTH	EVERY 6 MONTHS	EVERY 12 MONTHS
<b>VISUAL INSPECTION FOR WEAR/DAMAGE</b>				
Check brake linings for wear.	■	■		
Check S-Camshaft for proper operation.	■	■		
Check brake adjusters for correct function.	■	■		
Check air brake system for leaks (brake applied).	■	■		
Check axle structural components for cracks or damage.	■	■		
Check hub lubrication level for excessive leakage.	■	■		
<b>MECHANICAL CHECK</b>				
Attention: Torque check wheel nuts after the first 5-100 miles (8-160 km) from date vehicle was placed into service and after every wheel removal. Continually check wheel torque every 10,000 miles (16,000 km), or at the intervals indicated in your vehicle owner's manual, whichever occurs first.	■			
Torque check all nuts and bolts to recommended setting.	■		■	
Check and adjust wheel bearing end play.	■			■
Pack hub bearings with fresh lubricant (also after every brake lining replacement, check hub bearing wear).				■
Lubricate S-Camshaft bearing bushings.	■	■		
<b>SAFETY INSPECTION</b>				
Check brake lining to drum clearance for correct adjustment – re-adjust clearance if necessary. Check service brake and parking brake for performance.	■	■		
<b>SPECIAL SERVICE CONDITIONS</b>				
Vehicles with long standing periods.	Service at specified time intervals, e.g. trailer used for storage or frequently left standing for several days at a time.			
Vehicles used under extreme conditions.	Service at suitably reduced intervals, e.g. trailer operating in continuous multi-shifts or in off-road construction sites.			

Warranty claims will only be accepted as long as the operation and maintenance instructions have been complied with and if SAF-HOLLAND® approved spare parts have been fitted.

## 22. Torque and Lubrication Specifications

TORQUE SPECIFICATIONS	
COMPONENT	TORQUE VALUE
Grease Fitting, Spider	20-50 in-lbs (2-6 N•m)
Axle, Inner Nut	Refer to Section 7
Axle, Outer Nut	200-300 ft.-lbs. (271-407 N•m)
Air Chamber Nuts	80-125 ft.-lbs. (108-169 N•m)
Hubcap Bolts	12-16 ft.-lbs. (16-21 N•m)
Self-Threading Screw	15-22 ft.-lbs. (20-30 N•m)

LUBRICATION SPECIFICATION		
COMPONENT	SURFACE TO BE LUBRICATED	TORQUE VALUE
S-Camshafts	S-Camshaft Bearings (Four (4) Grease Fittings per Axle)	Lithium Complex Grease
S-Camshafts	S-Camshaft Spline	NeverSeez®
Brakes	Brake Shoe Rollers anchor Pins	NeverSeez®
Brakes – Brake Adjuster	Brake Adjuster Grease Fitting	Lithium Complex Grease
Axle	Bearings and Hubs	80/90 Gear Oil or Lithium Complex Grease*

\* Oil lubed bearings and hubs should remain lubricated with oil, grease lubed bearings and hubs should remain lubricated with grease.

**NOTE:** Intervals are based upon normal operations. Reduce intervals to compensate for abnormal operations or severe conditions. During inactive periods, sufficient lubrication must be performed for equipment preservation.

### 23. Troubleshooting Chart

PROBLEM	POSSIBLE CAUSE	RESOLUTION
Brakes will not release	Brake shoes bound up at anchor pins	Lubricate brake operating parts
	Brake hoses Restricted	Replace hoses
	Brakes out of adjustment	Adjust brakes
	Damaged brake assembly	Replace or repair as required
No brakes or insufficient brakes <b>NOTE:</b> All of the possible causes would result in brake lockup.	Source of air supply shut off at tractor	Open cutout cocks at rear of tractor cab or push control valve "IN"
	Low brake line pressure	Check air pressure gauge on tractor - inoperative
	Brake lines between tractor and trailer not properly coupled	Properly couple brake lines
	Reservoir drain cock open	Close drain cock
Dog tracking	Leaf spring broken	Replace complete spring
	Bent Axle	Replace or straighten axle
	Frame or suspension out of alignment	Straighten frame or align axles
Uneven tire wear	Over or under inflation	Inflate to proper pressure
	Loose wheel stud nuts or clamps	Tighten wheel stud nuts or clamps
	Loose or tight wheel bearing adjustment	Adjust bearings
	Axle bent or out of alignment	Straighten, align or replace axle
	Tires not properly matched	Match tires
	Improper acting brakes	Correct brakes as required
	Rapid Stopping	Apply brakes slowly when approaching stop
	High-speed driving on turns	Reduce speed
Grabbing brakes	Oil, grease or foreign material on brake lining	Reline brakes
	Brakes out of alignment	Adjust brakes
	Brake drum out-of-round	Replace brake drum
	Damaged brake chamber or internal assembly	Replace brake chamber/internal assembly
	Leaky or broken hose between relay valve and brake chamber	Replace or Repair as required
Excessive heat cracks on drum	Rapid stopping or poor air flow to brakes	Replace drum
	Out of adjustment	Adjust brakes
	Binding S-Cam, anchor pins or chamber rod end pin	Lubricate and free up
	Damaged brake assembly/brake drum out-of-round	Replace or repair as required
ABS inoperable		Refer to ABS manufacturer's service literature
Slow brake application or release	Lack of lubrication	Lubricate brake operating parts
	Excessive travel in brake chamber push rod	Adjust brakes
	Restiction in hose or lines	Replace hoses
	Defective brake valve	Replace brake valve





From fifth wheel rebuild kits to suspension bushing repair kits, SAF-HOLLAND Original Parts are the same quality components used in the original component assembly.

SAF-HOLLAND Original Parts are tested and designed to provide maximum performance and durability. Will-fits, look-alikes or, worse yet, counterfeit parts will only limit the performance potential and could possibly void SAF-HOLLAND's warranty. Always be sure to spec SAF-HOLLAND Original Parts when servicing your SAF-HOLLAND product.

**SAF-HOLLAND USA • 888.396.6501 • Fax 800.356.3929**

[www.safholland.us](http://www.safholland.us)

**SAF-HOLLAND CANADA • 519.537.3494 • Fax 800.565.7753**

**WESTERN CANADA • 604.574.7491 • Fax 604.574.0244**

[www.safholland.ca](http://www.safholland.ca)

**SAF-HOLLAND MEXICO • 52.55.5362.8743 • Fax 52.55.5362.8743**

[www.safholland.com.mx](http://www.safholland.com.mx)

[info@safholland.com](mailto:info@safholland.com)

## Service Manual

# INTEGRAL<sup>®</sup> Disc Brake Axles Compact Bearing System



Contents	Page
Introduction.....	2
Warranty.....	2
Notes, Cautions, and Warnings .....	2
Section 1 – General Safety Instructions .....	3
Section 2 – General Service / Maintenance Instruction .....	4
Section 3 – Model Identification.....	5
Section 4 – Identification Tag .....	5
Exploded View and Parts List.....	6
Section 5 – Disc Brake/Hub Unit Inspection .....	7

Contents	Page
Section 6 – Wheel Rock Test.....	10
Section 7 – Wheel Bearing Noise Test .....	10
Section 8 – Hub Unit Grease Leak Inspection.....	11
Section 9 – Servicing the Disc Brake/Hub Unit .....	12
Section 10 – Wheel Installation Procedure.....	18
Section 11 – Disc Brake Options.....	18
Section 12 – Torque Chart .....	20
Section 13 – Routine Service Schedule .....	21
Section 14 – Troubleshooting .....	22

## Introduction

This manual provides the necessary information for the maintenance, inspection and safe operation of the SAF® disc brake system.

For axle end/brake replacement components contact SAF-HOLLAND® Customer Service at 888-396-6501.

Read this manual before using or servicing this product and keep it in a safe location for future reference. Updates to this manual, which are published as necessary, are available on the internet at [www.safholland.us](http://www.safholland.us).

Use only SAF-HOLLAND® Original Parts to service your SAF-HOLLAND® INTEGRAL® disc brake axle. A list of technical support locations that supply SAF-HOLLAND® Original Parts and an Aftermarket Parts Catalog are available on the internet at [www.safholland.us](http://www.safholland.us) or contact Customer Service at 888-396-6501.

## Warranty

Refer to the complete warranty for the country in which the product will be used. A copy of the written warranty is included with the product or available on the internet at [www.safholland.us](http://www.safholland.us).

## Notes, Cautions, and Warnings

Knorr/Bendix is the manufacturer of the disc brake caliper assembly described in this service manual, NOT SAF-HOLLAND®. This manual references service documents which are published by Knorr/Bendix. The latest versions can be found on their website at [www.bendix.com](http://www.bendix.com). These document references are intended to provide additional information when performing service work on the caliper assembly. SAF-HOLLAND® assumes no liability for the use of incorrect or unsuitable parts in the servicing or repair of the Knorr/Bendix disc brake caliper assembly. SAF-HOLLAND® assumes no liability for damages or claims arising out of incorrectly following procedures outlined in the Knorr/Bendix service manuals.

Knorr and Bendix are registered trademarks of the Knorr-Bremse Group.

Before starting any work on the unit, read and understand all the safety procedures presented in this manual. This manual contains the terms "NOTE", "IMPORTANT", "CAUTION", and "WARNING" followed by important product information. These terms are defined as follows:

**NOTE:** Includes additional information to enable accurate and easy performance of procedures.

**IMPORTANT:** Includes additional information that if not followed could lead to hindered product performance.

**CAUTION** Used without the safety alert symbol, indicates a potentially hazardous situation which, if not avoided, could result in property damage.

**⚠ CAUTION** Indicates a potentially hazardous situation which, if not avoided, could result in minor or moderate injury.

**⚠ WARNING** Indicates a potentially hazardous situation which, if not avoided, could result in death or serious injury.

## 1. Safety Instructions

### General and Servicing Safety Instructions

- Read and observe all Warning and Caution hazard alert messages. The alerts provide information that can help prevent serious personal injury, damage to components, or both.

**▲WARNING** Failure to follow the instructions and safety precautions in this manual could result in improper servicing or operation leading to component failure which, if not avoided, could result in death or serious injury.

- All maintenance should be performed by a properly trained technician using proper/special tools, and safe procedures.

**NOTE:** In the United States, workshop safety requirements are defined by federal and/or state Occupational Safety and Health Act (OSHA). Equivalent laws may exist in other countries. This manual is written based on the assumption that OSHA or other applicable employee safety regulations are followed by the location where work is performed.

- Properly support and secure the vehicle from unexpected movement when servicing the unit.

**▲WARNING** Failure to properly support and secure the vehicle and axles prior to commencing work could create a crush hazard which, if not avoided, could result in death or serious injury.

- If possible, unload the trailer before performing any service procedures.
- After pre-positioning the brake chamber, slack adjuster and/or ABS system as instructed in this manual, always consult the manufacturer's manual for proper operation.
- Service both roadside and curbside of an axle. Worn parts should be replaced in sets. Key components on each axle's braking system, such as friction material, rotors and drums will normally wear over time.
- DO NOT paint the wheel contact surfaces between the wheel and hub.

**IMPORTANT:** The wheel contact surfaces MUST be clean, smooth and free from grease.

**▲WARNING** Failure to keep wheel and hub contact surfaces clean and clear of foreign material could allow wheel/hub separations which, if not avoided, could result in death or serious injury.

- Only the wheel and tire sizes approved by the trailer builder can be used.

### Operational and Road Safety Instructions

- Before operating vehicle, ensure that the maximum permissible axle load is NOT exceeded and that the load is distributed equally and uniformly.
- Make sure that the brakes are NOT overheated from continuous operation.

**▲WARNING** Failure to minimize the use of brakes during overheating conditions could result in deterioration of brake efficiency which could result in death or serious injury.

- The parking brake MUST NOT be immediately applied when the brakes are overheated.

**CAUTION** If the parking brake is immediately applied to the brakes when overheated, the brake drums or discs could be damaged by different stress fields during cooling.

- SAF® axles require routine service, inspection and maintenance in order to maintain optimum performance, and operational safety as well as an opportunity to recognize natural wear and defects before they become serious. Refer to the Routine Service Schedule in Section 12.

**▲WARNING** Failure to inspect and maintain your SAF-HOLLAND® INTEGRAL® disc brake axle as outlined in Section 12 can result in brake or wheel bearing failure which, if not avoided, could result in death or serious injury.

**IMPORTANT:** Use only SAF-HOLLAND® Original Parts to service your SAF-HOLLAND® INTEGRAL® disc brake axle.

**▲WARNING** Failure to maintain your SAF-HOLLAND® INTEGRAL® disc brake with SAF-HOLLAND® Original Parts can result in brake or wheel bearing failure which, if not avoided, could result in death or serious injury.

- Observe the operating recommendation of the trailer manufacturer for off-road operation of the installed axles.

**IMPORTANT:** The definition of OFF-ROAD means driving on non-asphalt/non-concrete routes, e.g. gravel roads, agricultural and forestry tracks, on construction sites and in gravel pits.

**IMPORTANT:** Off-road operation of axles beyond the approved application design could result in damage and impair suspension system performance.

- Follow the recommended routine maintenance and inspections described in this manual. These procedures are designed so that optimum performance and operational safety are achieved.
- Contact a qualified towing and/or service company to assist in repairing vehicle or to move it to a qualified repair facility.

## 2. General Service/Maintenance

1. Conduct regular visual checks of the brakes, tires and all chassis components. Refer to Section 12 for more information:
  - a. Inspect for secure mounting, wear, leaks, corrosion and damage.
  - b. Check for loose, broken or cracked air hoses, air system leaks, and damaged components.
  - c. Check that brake hoses and cables are properly secured.
  - d. For proper brake pad wear, check that there is enough clearance to allow the caliper full movement during normal operation.
2. Check the brake pads at regular service intervals to ensure that the brake pad hold down springs are in the correct position, and that brake pads are NOT worn beyond the minimum wear limits described in this manual.
3. When replacing brake pads, inspect the rotors for signs of wear, cracks, grooves, scoring or hot spots.
4. Visually check the brake caliper at regular service intervals as defined by the brake caliper manufacturer's basic inspection program. Refer to Section 5.3 of this manual for further information.
5. Check the spring brake chambers to make sure the parking springs are NOT caged in the released position. Be sure the dust plugs are properly installed.
6. Make sure that the vent holes in the air brake chamber are NOT covered with snow, ice, mud, etc.
7. Inspect the wheel bearing unit for grease leaks at every brake pad change.
8. Visually check the brake assembly (e.g. pads, rotor, etc.) for oil or grease contamination.
9. Check that all dust caps and boots are present and in good condition.
10. Regularly conduct general safety checks in accordance with any applicable laws.
11. After every wheel change, the wheel nuts MUST be re-tightened to the specified torque level after the initial 100 miles of operation, and then at every regular service interval.

**CAUTION**

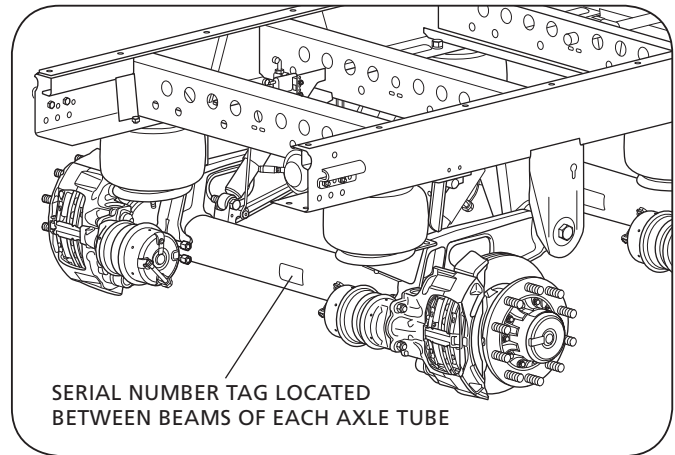
Failure to re-tighten wheel nuts at specified intervals could result in component failure which, if not avoided, could result in damage to property.

Use only SAF-HOLLAND® Original Parts to service your SAF-HOLLAND® INTEGRAL® disc brake axle.

### 3. Model Identification

The disc brake axle serial tag is located near the center of the axle tube (**Figure 1**).

**Figure 1**



### 4. Identification Tag

The sample tag shown will help you interpret the information on the SAF-HOLLAND® USA, Inc. serial number tag. The model number, axle body part number and serial number are listed on the tag (**Figure 2**).

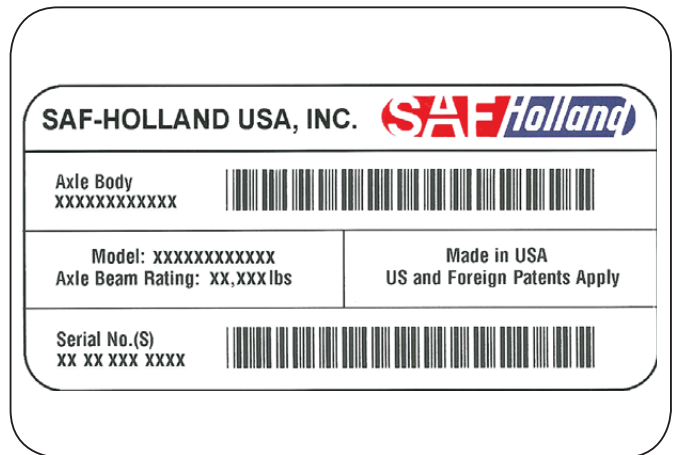
Record your tag numbers below for future quick reference.

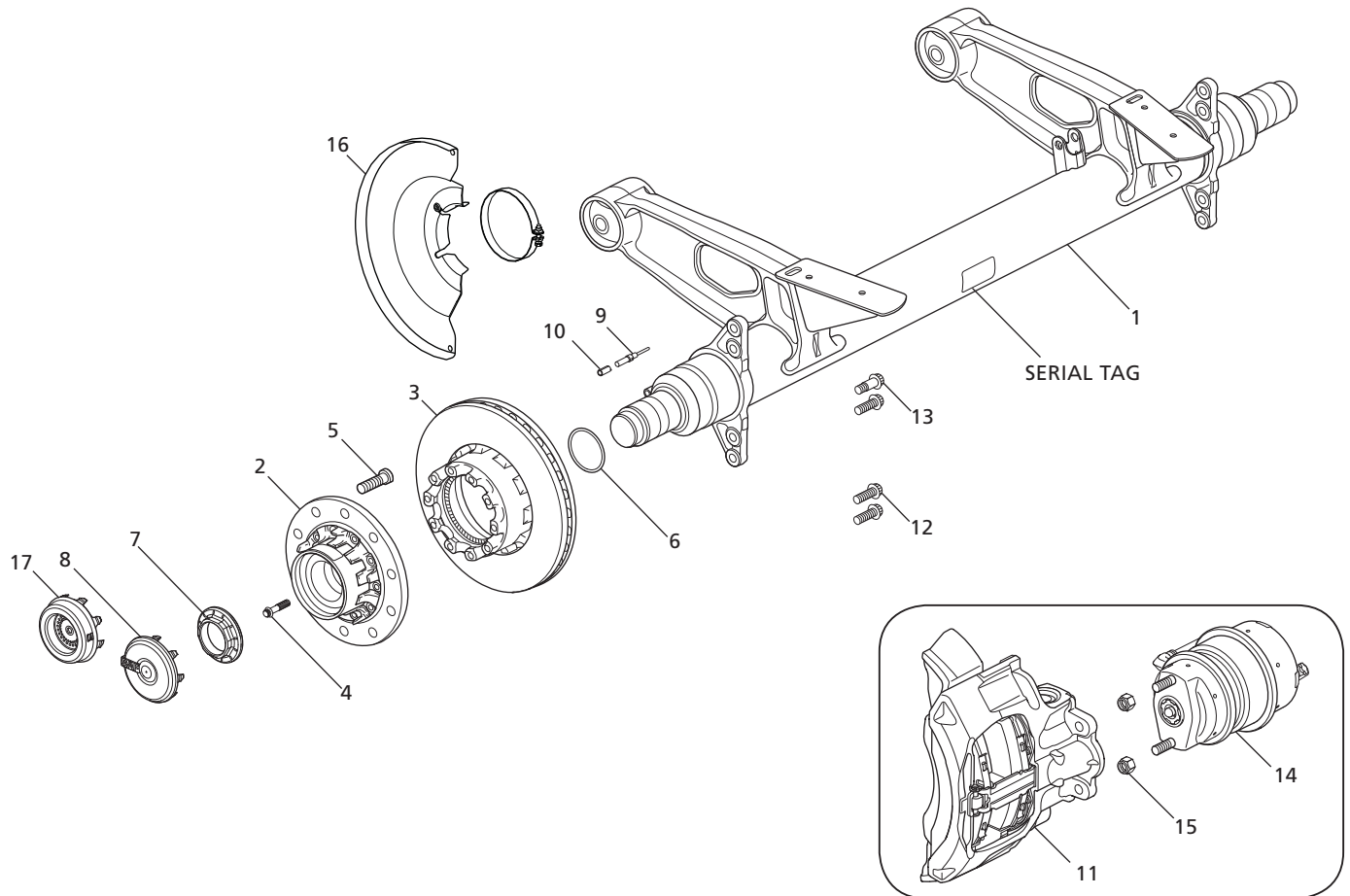
**Axle Body Part Number:** \_\_\_\_\_

**Model Number:** \_\_\_\_\_

**Serial Number:** \_\_\_\_\_

**Figure 2**





**NOTE:** Refer to the model number on the serial tag to identify your specific axle model's wheel end components. Contact SAF-HOLLAND® Customer Service at 888-396-6501.

ITEM NO.	DESCRIPTION	QTY. / AXLE
1	Axle Body	1
2	Hub with Compact Bearing	2
3	Rotor w/ Toner Ring	2
4	M 14 x 1.5 Bolt - Hub Rotor	20
5	Wheel Studs	20
6	O-Ring D92 x 4	2
7	Axle Nut Right-Hand Axle Nut Left-Hand	1
8	Hub Cap with Seal	2
9	ABS Sensor (WABCO)	2

ITEM NO.	DESCRIPTION	QTY. / AXLE
10	Clamping Bush	2
11	Brake Caliper SK7, Right Brake Caliper SK7, Left	1
12	M18 x 1.5 Bolt, Standard	6
13	M18 x 1.5 Bolt, Shoulder	2
14	Brake Chamber	2
15	Chamber Nut	4
16	Dust Shield (Optional)	2
17	Hub Odometer Cap (Optional)	1

## 5. Disc Brake/Hub Unit Inspection

**IMPORTANT:** During removal inspect components for wear and replace worn components.

**⚠ WARNING** Failure to properly support axle during maintenance could allow axle to fall which, if not avoided, could result in death or serious injury.

**NOTE:** For further disc brake inspection information, refer to the latest version of the TMC recommended practice RP 652—Service and Inspection of Air Disc Brakes (TMC DVD supplement).

### 5.1 Pad Wear Inspection

Check the brake pads for proper thickness at regular service intervals based on vehicle usage. Brake pad inspections should be carried out at least every three (3) months and in accordance with any legal requirements. Refer to "Routine Service Schedule" in Section 12.

**NOTE:** Regular service intervals could be required more frequently for severe duty applications. Refer to Section 12.

A quick visual inspection of the condition of the brake pads can be performed without removing the wheel:

1. Compare the position of the caliper marking to the carrier marking located on the underside of the caliper unit (**Figure 3**).
  - a. **Figure 3** - "View A" shows the positions of the two (2) markings when the brake pads are in good condition.
  - b. **Figure 3** - "View B" shows the positions of the two (2) markings when the wheel **MUST** be removed for further inspection of wear to the brake pads and brake rotor.

For further inspection of the brake pads, the wheel and brake pads **MUST** be removed. Refer to the Knorr/Bendix SK7 brake pad change service data sheet "SD-23-7541 Air Disc Brake" which can be found at [www.bendix.com](http://www.bendix.com) for more information.

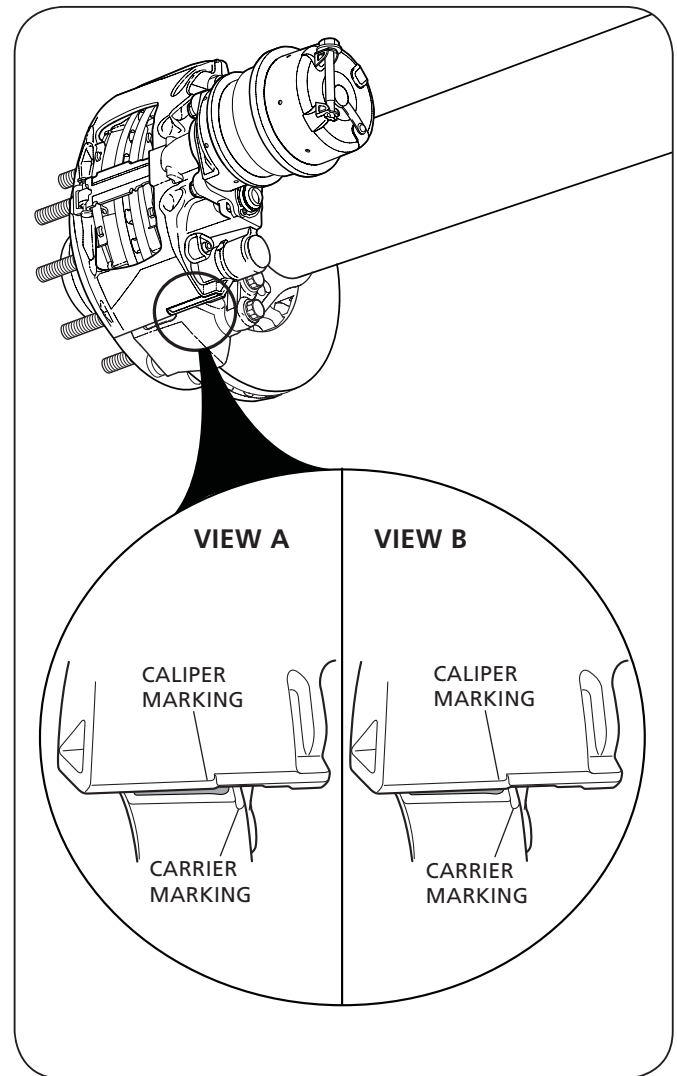
**IMPORTANT:** After inspecting the brake pads, check that the brake system is functioning properly.

**IMPORTANT:** When replacing worn brake pads, **ALL** pads on the axle **MUST** be replaced.

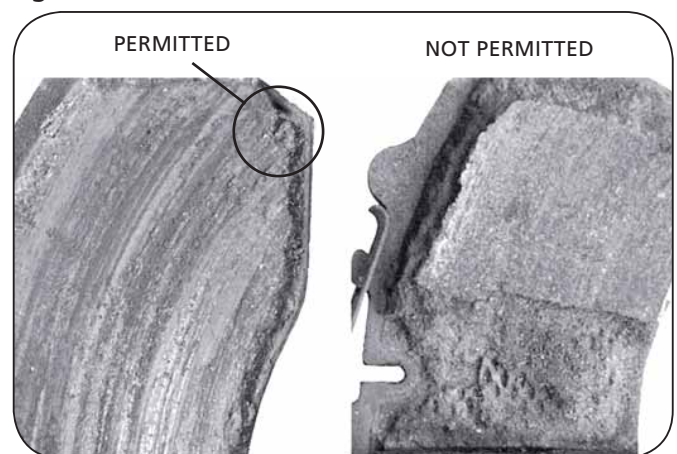
If the friction material of the brake pad is less than 0.43" (11 mm) at its thinnest area, the brake pad **MUST** be replaced (**Figure 6**).

**NOTE:** Minor breakouts at the edges are permitted; major breakouts on the surface of the brake pad are **NOT** permitted (**Figure 4**).

**Figure 3**



**Figure 4**





### 5.2 Rotor Wear Inspection

1. Carefully inspect both sides of the brake rotor friction surface (**Figure 5**).
  - a. Spider web cracking is acceptable (**Area A**).
  - b. Radial cracks less than 0.06" (1.5 mm) deep or wide and their length is less than 75% of the width of the rotor friction surface (**Area B**).
  - c. Grooves in the rotor surface are acceptable only if they are less than 0.06" (1.5 mm) deep (**Area C**).
  - d. Cracks that run completely to either edge of the hub are NOT acceptable, regardless of depth (**Area D**).
2. Measure the brake rotor thickness and re-surface, if necessary. For proper brake function, the minimum thickness for re-surfacing the brake rotor is defined as 1.54-1.57" (39-40 mm).

**⚠ WARNING** Re-surfacing the brake rotor beyond the minimum thickness could cause component failure which, if not avoided, could result in death or serious injury.

**IMPORTANT:** DO NOT use high-pressure cleaners or liquid cleaners on the brake rotor.

If the overall wear limits for the brake rotor and brake pads are exceeded (**Figure 6**), the rotor and pads **MUST** be replaced. Refer to brake pad and rotor replacement instructions as detailed in Section 9.1 and 9.2.

For both the inner and outer pads, the maximum brake pad wear difference is 0.2" (5.0 mm).

BRAKE ROTOR			BRAKE PAD	
DIAMETER	"A" NEW	"B" WEAR LIMIT	"C" NEW	"D" WEAR LIMIT
430 mm	45 mm	37 mm	30 mm	11 mm
16.93"	1.77"	1.46"	1.18"	0.43"

**⚠ WARNING** Failure to replace brake rotor and pads when minimum wear limits are reached could cause component failure which, if not avoided, could result in death or serious injury.

**NOTE:** When replacing the brake pads or brake rotor, use only Original SAF-HOLLAND® rotors and approved brake pads.

**IMPORTANT:** When replacing worn brake pads, all pads on the axle **MUST** be replaced.

**NOTE:** During brake repairs, conduct a visual inspection of the seals on the brake caliper. Refer to Section 5.3 for more information.

Figure 5

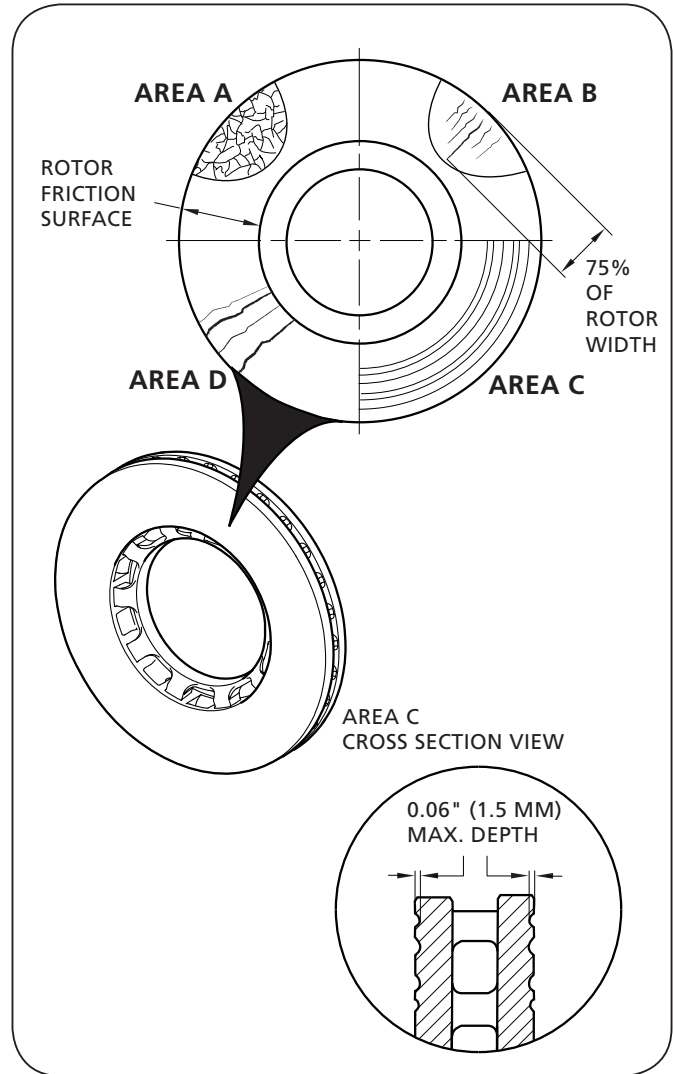
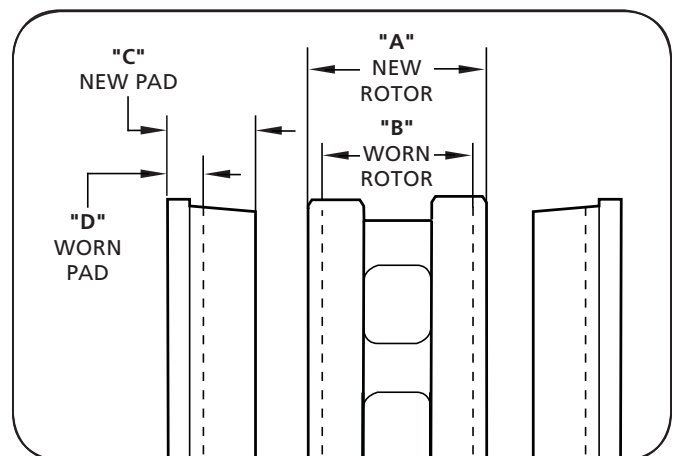


Figure 6



### 5.3 Brake Caliper Inspection

For instructions on brake caliper inspection and repair, refer to the Knorr/Bendix SK7 Caliper service data sheet "SD-23-7541 Air Disc Brake" which can be found at [www.bendix.com](http://www.bendix.com).

### 5.4 Hub Unit Inspection

The SAF-HOLLAND® disc brake hub unit with compact bearing system is designed to be maintenance-free. If there is a malfunction with the hub unit, the hub unit including the compact bearing system **MUST** be replaced. The integrated compact bearing system is sealed and requires no additional grease or oil application to the bearing.

**IMPORTANT:** DO NOT remove the integrated compact bearing system. If there is a malfunction, the bearing system and hub unit **MUST** be replaced.

1. When changing brake pads and rotors or in the event of damage (e.g. brake overheating), inspect the bearing for signs of wear and grease leakage. Perform the Grease Leak Inspection, Wheel Rock Test and Wheel Bearing Noise Test as described in Sections 6 through 8.

**⚠ WARNING** Failure to replace bearing system and hub unit when required could cause component failure which, if not avoided, could result in death or serious injury.

2. Visually check the seal system to ensure that it is functioning properly and that there is minimal grease leakage. Refer to Section 8 for more information. For guidance about diagnosing seal system malfunctions refer to Section 13.

**NOTE:** Adjustment of the compact bearing system is NOT necessary.

**IMPORTANT:** DO NOT use high-pressure cleaners or liquid cleaners on the hub unit.

**IMPORTANT:** The red dot in the middle of the SAF® plastic hub cap is permanent. If you attempt to remove it, hub cap failure will result.

**⚠ WARNING** Failure to replace plastic hub cap when broken could cause component failure which, if not avoided, could result in death or serious injury.

## 6. Wheel Rock Test

1. For sufficient clearance to perform the test, raise the wheel off the ground. DO NOT remove the wheel!
2. Carefully remove the hub cap.
3. Using a size 85 mm socket, check the torque of the axle nut to ensure that it is torqued to 663 ft.-lbs. (900 N•m) by rotating the nut in either a left- or right-handed direction, for the roadside or curbside of the axle respectively.

**NOTE:** The SAF® compact bearing system uses a single piece spindle nut, which has a left-hand thread on the roadside of the axle and a right-hand thread on the curbside of the axle. The axle nut with a left-handed thread can be identified by a circular groove (**Figure 13**). The left-hand threaded axle spindle can be identified by a frontal groove on the end of the axle spindle.

4. Clean the surface of the axle nut. Attach the magnetic foot of the dial gauge to the surface of the nut and spindle. Place the pointer on the rim surface as shown (**Figure 7**).
5. Rock the wheel by first pulling at the top and pressing at the bottom, then pulling at the bottom and pressing at the top. Push and pull with approximately 50 lbs. (220 N) of force. While rocking/moving the wheel, record the end play shown on the dial gauge.

**NOTE:** Rotate the wheel several times before each measurement.

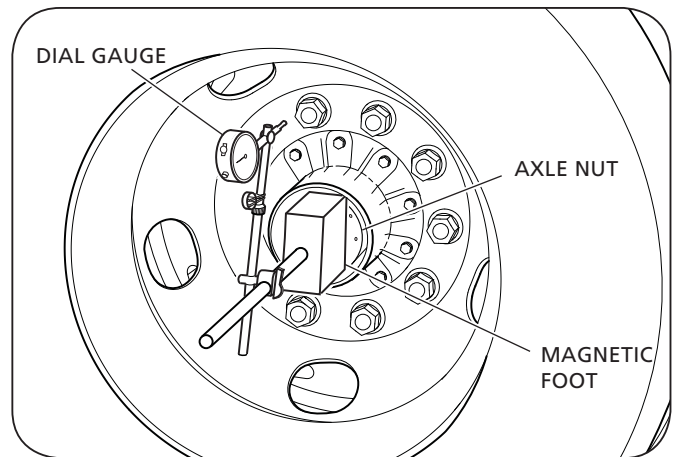
**NOTE:** If a recorded wheel end play of more than .01" (0.25 mm) while alternating +/- 50 lbs. (220 N) force is measured, the hub unit MUST be replaced.

## 7. Wheel Bearing Noise Test

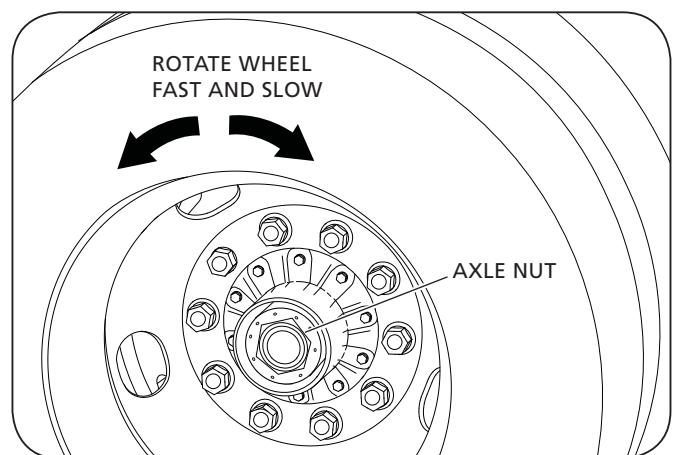
1. For sufficient clearance to perform the test, raise the wheel off the ground. DO NOT remove the wheel!
2. Carefully remove the hub cap.
3. Using a size 85 mm socket, check the torque of the axle nut to ensure that it is torqued to 663 ft.-lbs. (900 N•m).
4. Rotate the wheel in both forward and rearward directions, using varying speeds (**Figure 8**).
5. If the bearing feels rough and/or a "grinding" noise is heard, the hub MUST be replaced.

**NOTE:** Noises can also be caused by the brakes. Before removing the hub unit, remove the brake pads and repeat the bearing noise test.

**Figure 7**



**Figure 8**



## 8. Hub Unit Grease Leak Inspection

A hub unit grease leak inspection should be performed if more than half of the wheel flange is covered with grease.

1. Carefully remove the hub cap.
2. Inspect the grease levels inside of the wheel flange including the inside of the hub cap, the axle nut, axle tube spindle and hub seal.
  - a. If the hub seal is **NOT** completely covered with grease (**Figure 9**), the hub units are correct and **DO NOT** need replacement.
  - b. If the hub seal is completely covered with tar-like grease (**Figure 10**), the hub unit **MUST** be replaced.

**NOTE:** There may be a small amount of grease on the lower edge of the hub seal. This is normal, and **DOES NOT** indicate grease leakage.

**Figure 9**



**Figure 10**



## 9. Disc Brake/Hub Unit Service

Contact SAF-HOLLAND® Customer Service at 888-396-6501 before performing any work on the SAF-HOLLAND® INTEGRAL® disc brake hub unit.

**IMPORTANT:** Only qualified mechanics should perform the procedures detailed in this manual.

**NOTE:** If the seal between the axle spindle and spindle nut is broken before the end of the stated warranty period, all warranty coverage will be invalidated unless the repair work has been approved by SAF-HOLLAND®. For approval, contact Customer Service at 888-396-6501.

**IMPORTANT:** During removal inspect components for wear and replace worn components.

**⚠ WARNING** Failure to properly support axle during maintenance could allow axle to fall which, if not avoided, could result in death or serious injury.

**⚠ CAUTION** DO NOT hit steel parts with a steel hammer as parts could break, sending flying steel fragments in any direction creating a hazard which, if not avoided, could result in minor to moderate injury.

**NOTE:** For certain service and repair work, some bolts MUST be replaced. DO NOT oil or grease bolts for installation. Tighten bolts with a torque wrench following the specified procedure and torque value. Refer to Torque Chart in Section 11.

### 9.1 Brake Pad Replacement

For instructions on brake replacement, refer to the Knorr/Bendix SK7 Caliper service data sheet "SD-23-7541 Air Disc Brake" which can be found at [www.bendix.com](http://www.bendix.com).

**IMPORTANT:** After inspecting the brake pads, check that the brake system is functioning properly.

**IMPORTANT:** When replacing worn brake pads, all pads on the axle MUST be replaced.

## 9.2 Rotor Replacement

**⚠ WARNING** Failure to observe these instructions could cause component failure which, if not avoided, could result in death or serious injury.

1. Cage the spring brake.
2. Remove the ABS sensor by following the instructions detailed in Section 10.1.
3. Remove the brake chamber from the brake caliper by loosening and removing the two (2) mounting nuts (**Figure 11**).
4. Remove the brake caliper from the brake spider by using a size 24 mm socket to loosen and discard all four (4) brake caliper bolts (**Figure 12**).
5. Using a hub cap puller, remove the plastic hub cap (**Figure 13**) at the reinforced undercut on the side of the cap.

**IMPORTANT:** The red dot in the middle of the SAF® plastic hub cap is permanent and **MUST NOT** be removed.

6. Using a size 85 mm socket, remove the axle spindle nut by rotating the nut in either a left- or right-handed direction, respectively for the road or curbside of the axle.

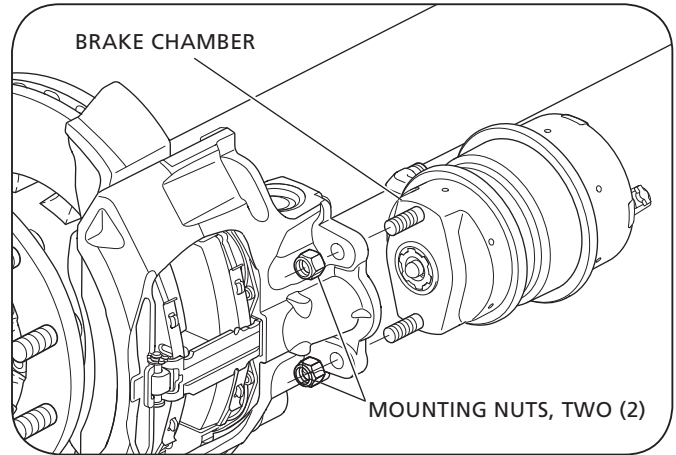
**NOTE:** The SAF® compact bearing system uses a single piece spindle nut which has a left-hand thread on the roadside of the axle and a right-hand thread on the curbside of the axle. The axle nut with a left-handed thread can be identified by a circular groove (**Figure 13**). The left-hand threaded axle spindle can be identified by a frontal groove on the end of the axle spindle.

**NOTE:** DO NOT remove the SAF® compact bearing spindle nut with an impact wrench. Due to the self-tightening design of the SAF® compact bearing spindle nuts, it may be necessary to apply high torque of up to 1,600 ft.-lbs. (2,170 N•m) to loosen the spindle nuts. Use an appropriate length hand wrench and torque multiplier to loosen the SAF® compact bearing spindle nut.

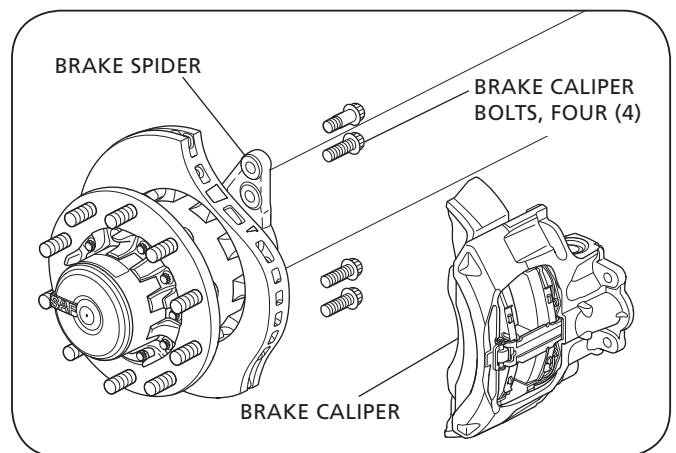
**IMPORTANT:** DO NOT use an impact wrench to remove the SAF® compact bearing spindle nut.

**⚠ CAUTION** The high speed generated from air impact wrench to loosen the high clamp load of the SAF® compact bearing spindle nut could result in damage to the spindle threads.

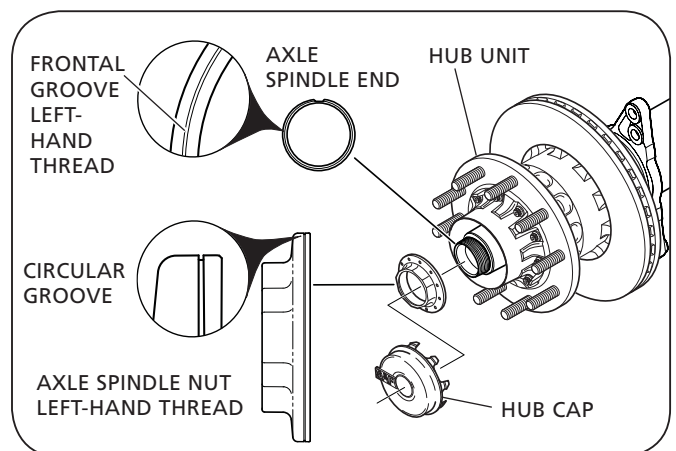
**Figure 11**



**Figure 12**



**Figure 13**



7. Remove the head unit by gently sliding it off the spindle. (**Figure 14**).
8. Remove the bearing O-Ring seal from the hub unit and discard (**Figure 15**).

**NOTE:** The O-Ring seal may be stuck to the bearing system or on the axle spindle.

9. Clean the hub unit bearing surface.
10. Remove the hub unit from the rotor by using a size 15 mm socket to loosen and discard all ten (10) connection bolts (**Figure 15**).
11. Clean the rotor contact surface on the hub unit. Using compressed air, clean the tapped holes in the disc unit. Check that the threads are in good working conditions.
12. Re-install the hub unit to the rotor by using ten (10) new SAF® specific connection bolts. Use a torque wrench to pre-torque the bolts to 37 ft.-lbs. (50 N•m). For final torque, tighten the bolts with an additional 120° turn using a criss-cross pattern. Refer to the Torque Chart in Section 11 for more information.

**IMPORTANT:** When re-installing the hub unit and rotor, use only new SAF® specific connection bolts. Bolts **MUST** be clean and free of oil and grease.

**⚠ WARNING** Failure to observe these instructions could cause component failure which, if not avoided, could result in death or serious injury.

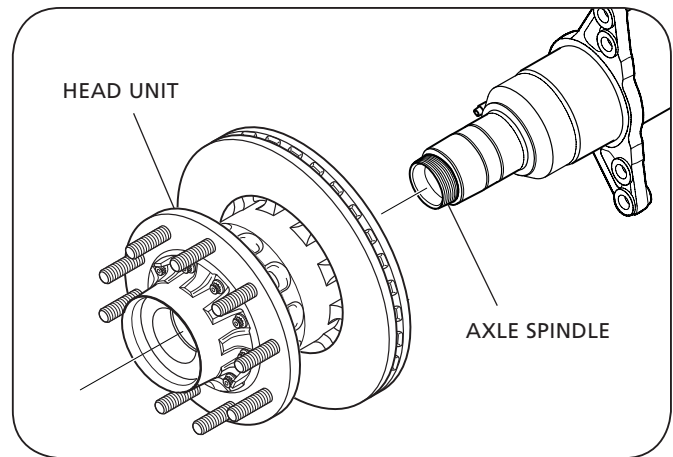
13. Clean any grease residues from the axle spindle end and re-coat the bearing journal with Renolit Paste AZ 0-1. **DO NOT** grease or oil the spindle threads.

**NOTE:** Renolit Paste AZ 0-1 is available in 5 g packets through SAF-HOLLAND® Original Parts online at [www.safholland.us](http://www.safholland.us) or by contacting Customer Service at 888-396-6501.

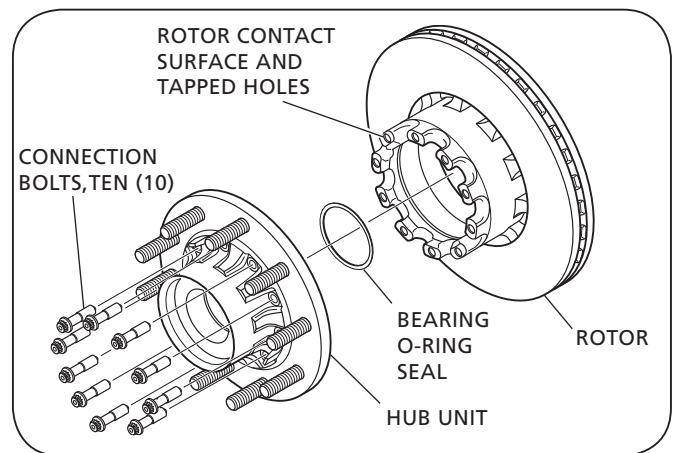
**IMPORTANT:** **DO NOT** use high-pressure cleaners or liquid cleaners on the spindle.

14. Insert a new bearing O-Ring seal into the groove of the hub unit (**Figure 16**).
15. Re-install the head unit by gently sliding it on the spindle (**Figure 14**). During re-installation be sure the O-Ring seal is in the proper position.

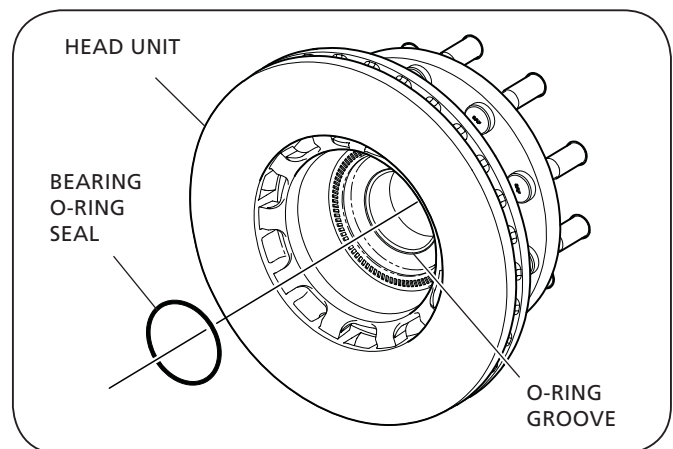
**Figure 14**



**Figure 15**



**Figure 16**



16. Re-install the SAF® specific axle spindle nut by rotating the nut onto the axle spindle in either a left-or right-handed direction, depending on the direction of the thread:

**NOTE:** The SAF® compact bearing system uses a single piece spindle nut which has a left-hand thread on the roadside of the axle and a right-hand thread on the curbside of the axle. The axle nut with a left-handed thread can be identified by a circular groove. The left-hand threaded axle spindle can be identified by a frontal groove on the end of the axle spindle (**Figure 13**).

- Pre-torque the axle spindle nut with a torque wrench and size 85 mm socket to 110 ft.- lbs. (150 N•m).
- Rotate the head unit slowly five (5) revolutions.
- For final torque tighten the axle spindle nut by 1/12 turn (30°).

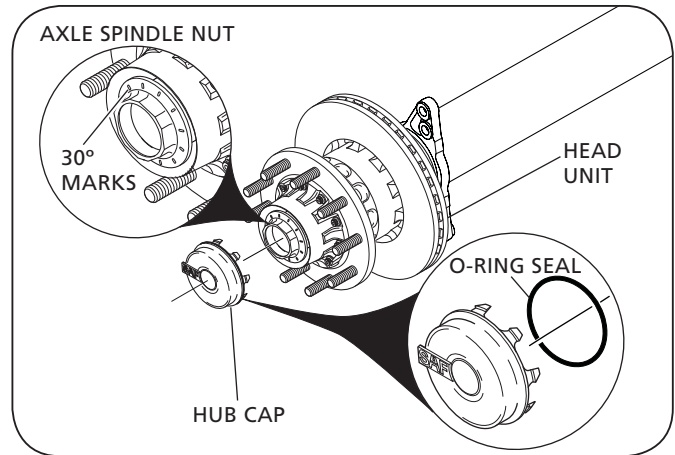
**NOTE:** Each mark on the spindle nut equals 1/12 (30°) turn (**Figure 17**).

- Check that the axle spindle nut has a final torque of 663 ft.-lbs. (900 N•m). Refer to the Torque Chart in Section 11.

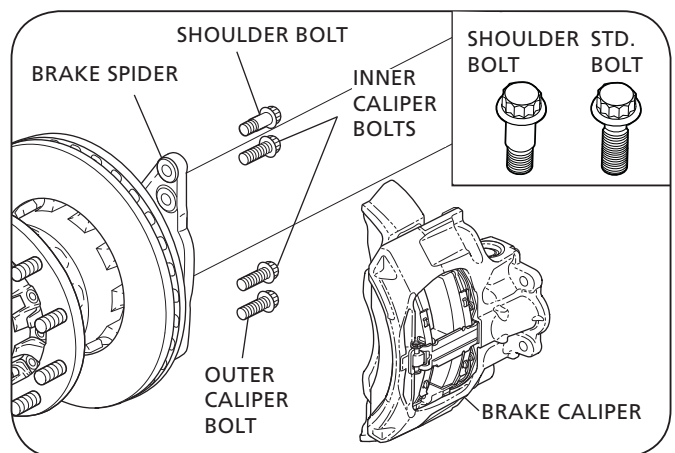
**NOTE:** The maximum permissible end play of the hub unit is shown in Section 6.

17. Check that the hub cap O-Ring seal is in good condition and replace if necessary.
18. Re-install the hub cap onto the hub unit by pressing it slowly and uniformly against the hub seat until the snap fit is secure (**Figure 17**). Visually inspect for a proper O-Ring seal.
19. Re-install the caliper to the brake spider using four (4) new SAF® specific brake caliper bolts (**Figure 18**).

**Figure 17**



**Figure 18**





**NOTE:** The caliper is connected to the disc brake spider using four (4) SAF® specific bolts: three (3) standard bolts and one (1) shoulder bolt (**Figure 19**). The shoulder bolt is located at the outer mounting hole where the brake rotor rotates OUT of the caliper when turning in driving direction (**Figure 19**).

**⚠ WARNING** Failure to install the shoulder bolt in the proper location could cause component failure which, if not avoided, could result in death or serious injury.

- Pre-torque the bolts to 88 ft.-lbs. (120 N•m) from inner bolts to outer bolts using a size 24 mm socket.
- Verify the pre-torque of the bolts a second time, and if necessary re-tighten all bolts to 88 ft.-lbs. (120 N•m).
- Final torque from inner bolts to outer bolts to 331 +/- 22 ft.-lbs. (450 +/- 30 N•m).

**IMPORTANT:** Make sure that the brake caliper is mounted on the correct side of the axle. The correct location can be identified by the lengths of the guide pins on the caliper unit. The longer guide pins should be located on the bottom of the caliper unit when installed on the axle in driving direction. The shorter guide pins should be located on the top of the caliper unit (**Figure 20 and 21**).

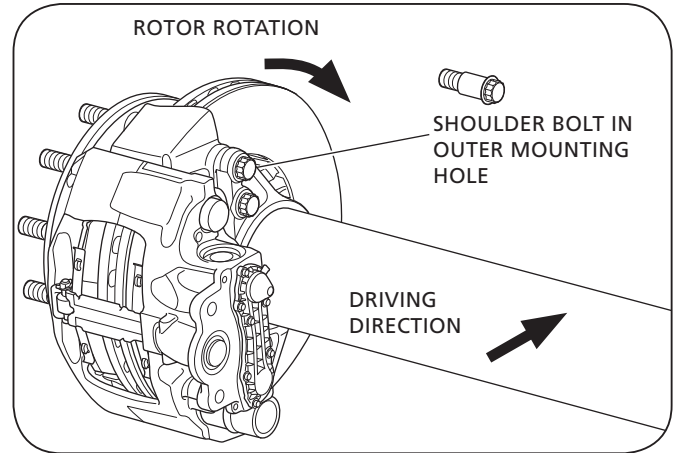
- Re-install the SAF® brake chamber by following the instructions in "SAF® Brake Cylinders for Disc Brakes Installation and Service Guide" available online at [www.safholland.us](http://www.safholland.us).
- Re-install the ABS sensor by following the instructions detailed in Section 10.1.
- To enable the ABS sensor to function properly press the ABS sensor against the toner ring at the hub unit to eliminate any clearance between these parts.

**IMPORTANT:** After replacing the rotor, verify that the brake system is functioning properly.

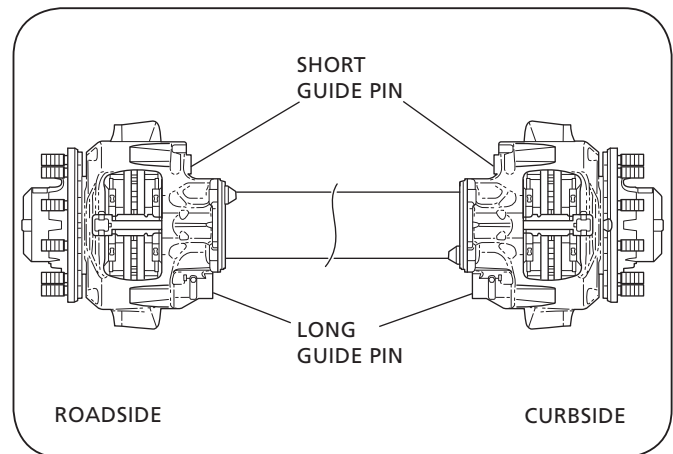
### 9.3 Brake Caliper Servicing

For instructions on brake caliper and repair/replacement, refer to the Knorr/Bendix SK7 Caliper service data sheet "SD-23-7541 Air Disc Brake" which can be found at [www.bendix.com](http://www.bendix.com).

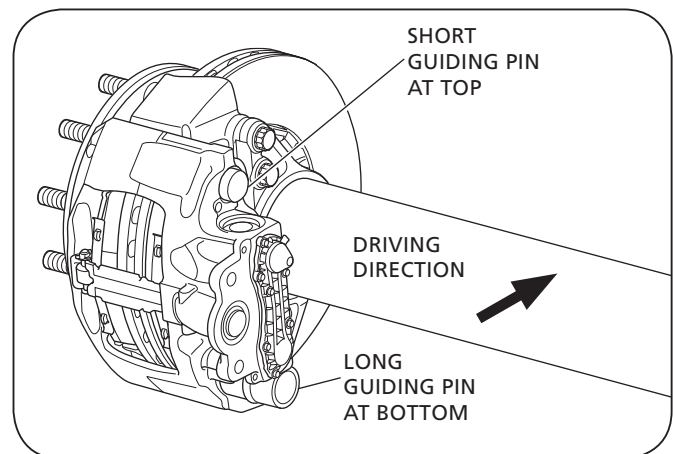
**Figure 19**



**Figure 20**



**Figure 21**



### 9.4 Hub Unit Servicing

The SAF-HOLLAND® disc brake hub unit with compact bearing system is designed to be maintenance-free. If there is a malfunction with the hub unit, the hub unit including the compact bearing system **MUST** be replaced. The integrated compact bearing system is lifetime sealed and requires no grease or oil application to the bearing.

**IMPORTANT:** DO NOT remove the integrated compact bearing system. If there is a malfunction, the bearing system and hub unit **MUST** be replaced.

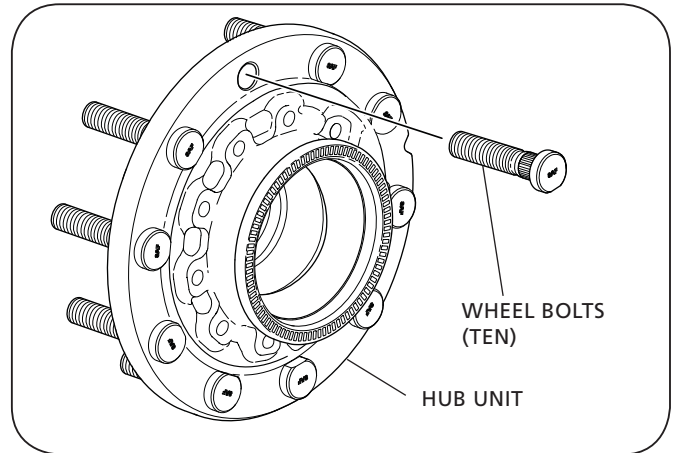
When replacing the wheel bolts, refer to the hub removal instructions described in Section 9.2

**NOTE:** Not all bolts may need to be replaced. Only replace bolts that are damaged or in need of replacement.

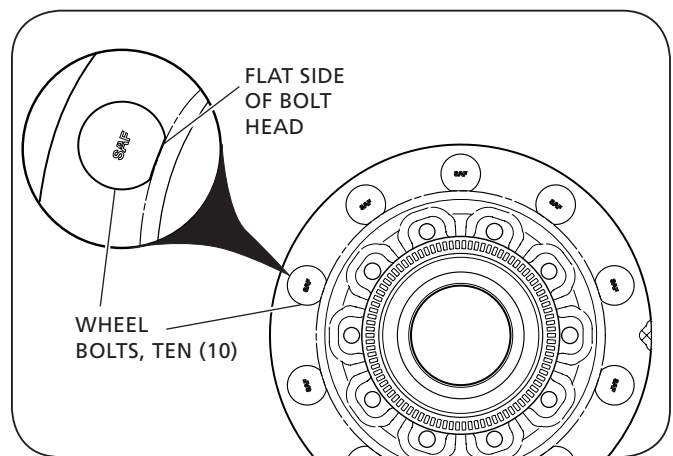
1. Remove the wheel bolts by pressing them out of the hub unit and discard (**Figure 22**).
2. Install new wheel bolts by pressing them into the hub unit. To ensure correct alignment of the bolts during installation, position the flat side of each wheel bolt head so that it is facing the center of the hub (**Figure 23**).

**CAUTION** DO NOT hit steel parts with a steel hammer as parts could break, sending flying steel fragments in any direction creating a hazard which, if not avoided, could result in minor to moderate injury.

**Figure 22**



**Figure 23**



## 10. Wheel Installation Procedure

The following information is intended to provide basic wheel installation instructions. Refer to TMC RP222C for complete installation details.

1. Clean all mating surfaces on hub, wheels and nuts.
2. Rotate the hub so a pilot boss is at the top (12 o'clock) position.
3. Mount wheel(s) on hub. One or more of the wheel nuts can be started in order to hold wheel in position.
4. Tighten the top wheel nut first. Apply 50 ft.-lbs. (68 N•m) of torque to draw the wheel up fully against the hub.
5. Install remaining wheel nuts. Using sequence shown in **(Figure 24)**, tighten all wheel nuts to 50 ft.-lbs. (68 N•m) of torque.
6. Repeating sequence shown in **(Figure 24)**, retighten all wheel nuts to 475 ± 25 ft. lbs. ( 644 ± 34 N•m) of torque.
7. Check seating of wheel at the pilot bosses. Rotate wheel and check for any rotational irregularity.

**⚠ WARNING** Retorque all wheel nuts after 5 to 100 miles of service on the initial "in-service" following any installation of wheel to hub assembly.

## 11. Disc Brake Options

### 11.1 ABS Sensor Replacement

**NOTE:** When replacing the ABS sensor, only install a sensor manufactured by WABCO. DO NOT mix sensors from different manufacturers. The SAF-HOLLAND® INTEGRAL® Disc Brake comes with a WABCO ABS mini sensor Ø11. For further ABS sensor information, contact SAF-HOLLAND® Customer Service at 888-396-6501.

1. Disconnect the ABS sensor.
2. Remove the ABS sensor from the sensor holder by pulling it straight out from the holder and discard **(Figure 25)**.
3. If necessary, remove the sensor retaining spring clip from the sensor holder and replace with new clip. **(Figure 25)**.
4. Install a new ABS sensor by pushing it directly into the sensor holder/spring clip until it contacts the tooth wheel in the hub unit **(Figure 25)**.
5. Re-connect the ABS sensor.

Figure 24

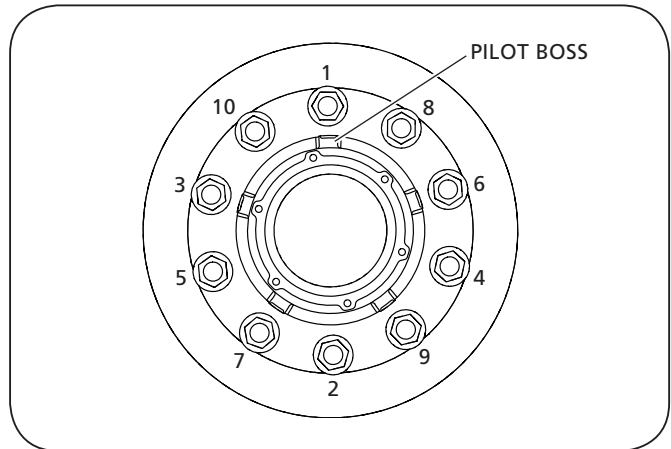
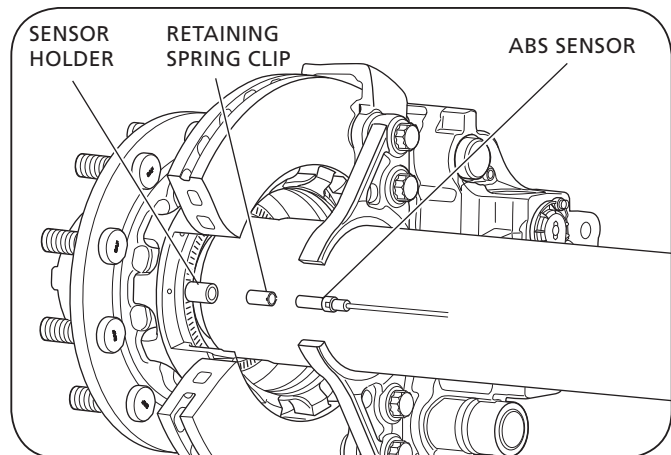


Figure 25



## 11.2 Hubodometer

The SAF-HOLLAND® INTEGRAL® Disc Brake can be factory equipped or retrofitted with a hubodometer hub cap for installation of a hubodometer.

1. Remove the original plastic hub cap (**Figure 26**) at the reinforced undercut on the side of the cap using a hub cap puller.
2. Install hubodometer onto hubodometer hub cap.
3. Check that the hubodometer hub cap O-Ring is installed correctly and is in good condition.
4. Install the hubodometer hub cap by pressing it slowly and uniformly against the hub seat until the snap fit is secure (**Figure 27**). Visually inspect the O-Ring for a proper seal.

**NOTE:** A hubodometer hub cap cannot be installed on axles equipped with a Tire Inflation System (TIS).

## 11.3 Tire Inflation System

If your system is prepped for a Tire Inflation System, contact SAF-HOLLAND® Customer Service for further information and installation instructions.

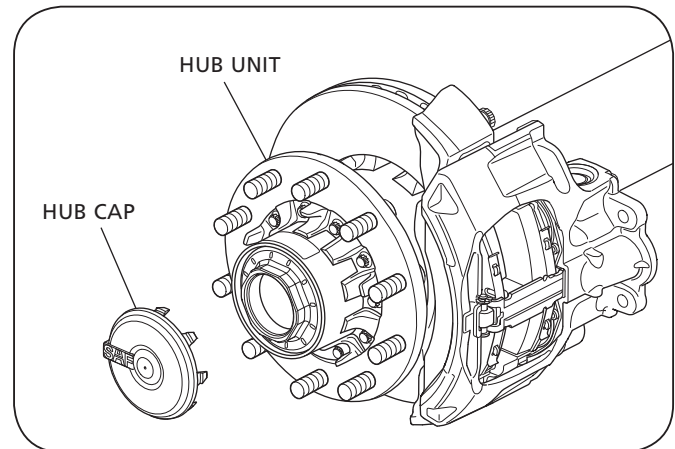
## 11.4 Dust Shield

The SAF-HOLLAND® INTEGRAL® Disc Brake can be factory equipped or retrofitted with a dust shield.

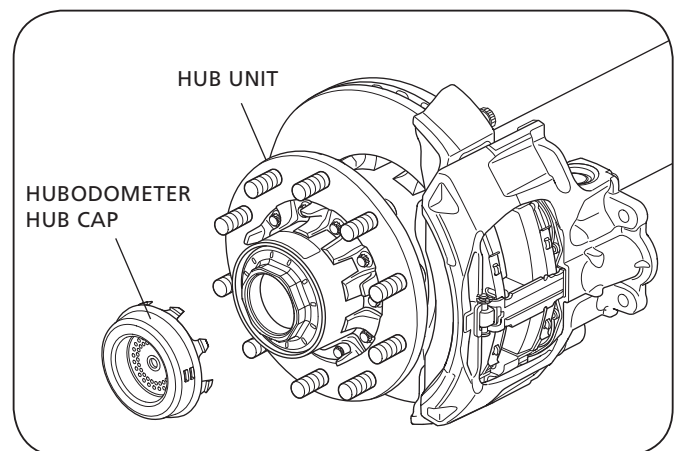
Refer to **Figure 28** for the following instructions:

1. Using a 13mm socket, loosen and remove the dust shield clamp band bolt.
2. Wrap the clamp band around the axle and loosely install the clamp band bolt.
3. Position the clamp band around the axle.
4. Route any ABS sensor wires through one of the two rubber grommets on the dust shield.
5. Position the clamp band over the clamp band lip portion of the dust shield.
6. Slide the dust shield and clamp band together toward the disc brake until the clamp band is about 12mm (0.5") from the brake rotor, pulling the ABS sensor wire through the rubber grommet as necessary.
7. Torque the clamp band bolt to 20-25 ft.-lbs. (27-34 N•m).
8. Use a pry bar and/or rubber mallet to ensure that there is clearance between the dust shield and the rotor.
9. Plug the ABS sensor into the abs system wire.

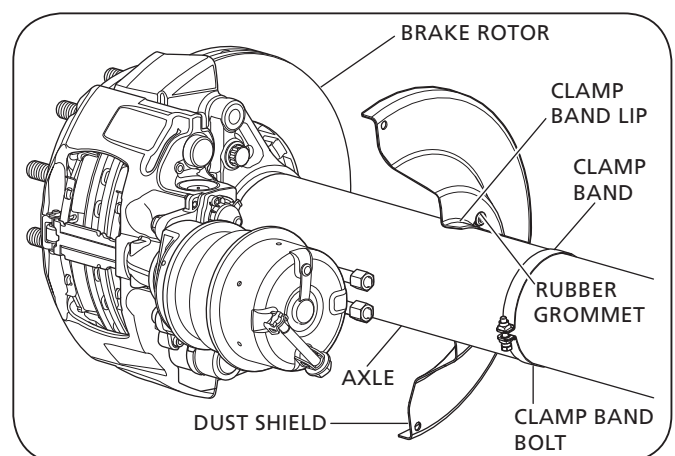
**Figure 26**



**Figure 27**



**Figure 28**



## 12. Torque Chart

PART	APPLICATION	TORQUE SPECIFICATIONS
SAF® Specific Axle Spindle Nut M75 x 1.5	Compact Bearing System	<p>Left-hand thread located on the roadside of the axle.            Right-hand thread located on the curbside of the axle.            The axle nut with a left-handed thread can be identified by a circular groove (<b>Figure 13</b>).</p> <ol style="list-style-type: none"> <li>1. Pre-torque with a size 85 mm socket to 110 ft.-lbs. (150 N•m).</li> <li>2. Rotate the head unit slowly five (5) revolutions.</li> <li>3. For final torque tighten the axle spindle nut by 1/12 turn (30°).</li> <li>4. Check that the axle spindle nut has a final torque of at least 663 ft.-lbs. (900 N•m).</li> </ol> <p>Maximum permissible end play of the hub unit is shown in Section 6.</p>
SAF® Specific INTEGRAL® Bolt M14 x 1.5	Rotor - Hub	<p>Torque all ten (10) bolts in a criss-cross pattern.</p> <ol style="list-style-type: none"> <li>1. Pre-torque to 37 ft.-lbs. (50 N•m).</li> <li>2. For final torque tighten by an additional 120° turn.</li> </ol>
SAF® Specific Caliper Bolt M18 x 1.5	Caliper - Spider	<p>Torque bolts from inner bolts to outer bolts.</p> <ol style="list-style-type: none"> <li>1. Pre-torque to 88 ft.-lbs. (120 N•m).</li> <li>2. Verify the pre-torque of the bolts a second time, and, if necessary re-tighten all bolts to 88 ft.-lbs. (120 N•m).</li> <li>3. Final torque from inner bolts to outer bolts to 331 +/- 22 ft.-lbs. (450 +/- 30 N•m).</li> </ol>
SAF® Specific Brake Chamber Nut 5/8" -11 UNC Nylock or M16 x 1.5"	Brake Chamber	<ol style="list-style-type: none"> <li>1. Pre-torque both chamber nuts to 60-75 ft.-lbs. (80-100 N•m).</li> <li>2. For final torque tighten both chamber nuts to 130-155 ft.-lbs. (180-210 N•m)</li> </ol>

### 13. Routine Service Schedule

**⚠️ WARNING** Failure to inspect and maintain your SAF-HOLLAND® INTEGRAL® disc brake axle as outlined in Section 12 can result in brake or wheel bearing failure which, if not avoided, could result in death or serious injury.

**⚠️ WARNING** Failure to maintain your SAF-HOLLAND® INTEGRAL® disc brake with SAF-HOLLAND® Original Parts can result in brake or wheel bearing failure which, if not avoided, could result in death or serious injury.

**IMPORTANT:** Use only SAF-HOLLAND® Original Parts to service your SAF-HOLLAND® INTEGRAL® disc brake axle.

WHICHEVER OCCURS FIRST	PERIODIC CHECKS				
	MILEAGE INTERVALS	After First 3,000 Miles	Daily	Every 20,000 Miles	Every 50,000 Miles
	TIME INTERVALS	After First Month		Every 3 Months	Every 6 Months
<b>VISUAL AND SAFETY INSPECTION</b>					
Inspect for missing, or loose hubcap.			•		
Inspect for grease leakage around hubcap.			•		
Hub unit maintenance-free. Check for grease leaks. Refer to Section 8.				•	
Inspect the brake caliper guide system. Check for free movement and sliding action. Refer to Section 5.3.					•
Check rubber dust covers for cracks and damage. Check adjuster cap for correct seating. Refer to Section 5.3.					•
Inspect brake pad thickness regularly. Refer to Section 5.				•	
Inspect brake rotors for cracks. Refer to Section 5.					•
Perform general service / maintenance inspection. Refer to Section 4.		•			
Perform disc brake / hub unit inspection. Refer to Section 5.		•			•
Perform wheel rock and wheel noise tests. Refer to Section 6 and 7.				•	

**MECHANICAL CHECK**

Attention: Check torque of wheel nuts after the first 5-100 miles (8-160 km) from date vehicle was placed into service and after every wheel removal. Continually check wheel torque every 10,000 miles (16,000 km), or at the intervals indicated in your vehicle owner's manual, whichever occurs first.

**SPECIAL SERVICE CONDITIONS**

Vehicles with long standing periods.	Service at specified time intervals, e.g. trailer used for storage or frequently left standing for several days at a time.
Vehicles used under severe duty and extreme conditions.	Service at suitably reduced intervals, e.g. trailer operating in continuous multi-shifts or in off-road construction sites.

### 14. Troubleshooting Chart (SAF-HOLLAND® suspensions equipped with disc brake axles)

PROBLEM	POSSIBLE CAUSE	POSSIBLE REMEDY
Brakes will NOT release	Disc brake caliper bound up	Lubricate or replace brake caliper
	Brake hoses restricted	Replace hoses
	Brake control valve restricted/inoperable	Repair/replace control valve
	Brake out of adjustment	Adjust brake/repair or replace automatic adjustment device as necessary
	Damaged brake chamber	Replace brake chamber
	Damaged brake assembly	Replace or repair brake assembly
	Supply air interrupted	Open glad hand cut-out cock or push brake control valve in
	Supply line improperly coupled	Properly couple supply air line
	Brake pads frozen to rotor in cold weather	Warm brakes
No brakes or insufficient brake performance	Service air interrupted	Open glad hand cut-out cock
	Service air line improperly coupled	Properly couple service air line
	Brake hoses restricted	Relieve restriction or obstruction or replace hoses
	Brake control valve restricted/inoperable	Repair/replace control valve
	Brake out of adjustment	Adjust brake/repair or replace automatic adjustment device as necessary
	Damaged brake chamber	Replace brake chamber
	Damaged brake assembly	Replace or repair brake assembly
Dragging Brakes/Slow brake application or release timing	Brake hoses restricted	Relieve restriction or obstruction or replace hoses
	Brake control valve restricted/inoperable	Repair/replace control valve
	Brake out of adjustment	Adjust brake/repair or replace automatic adjustment device as necessary
	Damaged brake chamber	Replace brake chamber
	Damaged brake assembly	Replace or repair brake assembly
Dog tracking	Axle not properly aligned	Align axle
	Slider assembly racked or NOT aligned properly	Repair or replace slider assembly
	Frame bent or NOT aligned properly	Repair or align frame
	Damaged suspension component	Repair or replace suspension component
	Bent axle	Replace axle
Uneven tire wear	Improper tire inflation	Inflate tire to proper pressure
	Loose wheel stud nuts	Inspect for and repair any resultant wheel end damage and tighten properly
	Improper wheel bearing adjustment	Inspect for and repair any resultant wheel end damage and adjust properly
	Axle NOT properly aligned	Align axle
	Slider assembly racked or NOT aligned properly	Repair or replace slider assembly
	Frame bent or NOT aligned properly	Repair or align frame
	Damaged suspension component	Repair or replace suspension component
	Bent axle	Replace axle
	Mismatched tire sizes	Properly match tire sizes
	Unequal brake balance or timing	Repair brakes as necessary
	Overly aggressive braking	Instruct/train driver in proper brake use
	High speed turns	Instruct/train driver in proper vehicle speeds
	High level of side scrub	Instruct/train driver in proper vehicle maneuvering
Anti-Lock Brake System malfunction	Refer to ABS manufacturer's service literature	

PROBLEM	POSSIBLE CAUSE	POSSIBLE REMEDY
Grabbing brakes	Contaminants on brake lining	Replace brake pads
	Brake out of adjustment	Adjust brake/repair or replace automatic adjustment device as necessary
	Warped brake rotor	Machine or replace brake rotor
	Damaged brake chamber	Replace brake chamber
	Damaged brake assembly	Replace or repair brake assembly
	Unequal brake balance or timing	Repair brakes as necessary
	Anti-Lock Brake System malfunction	Refer to ABS manufacturer's service literature
Excessive heat cracks in rotor	Brake out of adjustment	Adjust brake/repair or replace automatic adjustment device as necessary
	Overly aggressive braking	Instruct/train driver in proper brake use
	Unequal brake balance or timing	Repair brakes as necessary
	Anti-Lock Brake System malfunction	Refer to ABS manufacturer's service literature
	Damaged brake chamber	Replace brake chamber
	Damaged brake assembly	Replace or repair brake assembly





From fifth wheel rebuild kits to suspension bushing repair kits, SAF-HOLLAND Original Parts are the same quality components used in the original component assembly.

SAF-HOLLAND Original Parts are tested and designed to provide maximum performance and durability. Will-fits, look-alikes or, worse yet, counterfeit parts will only limit the performance potential and could possibly void SAF-HOLLAND's warranty. Always be sure to spec SAF-HOLLAND Original Parts when servicing your SAF-HOLLAND product.

**SAF-HOLLAND USA • 888.396.6501 • Fax 800.356.3929**

[www.safholland.us](http://www.safholland.us)

**SAF-HOLLAND CANADA • 519.537.3494 • Fax 800.565.7753**

**WESTERN CANADA • 604.574.7491 • Fax 604.574.0244**

[www.safholland.ca](http://www.safholland.ca)

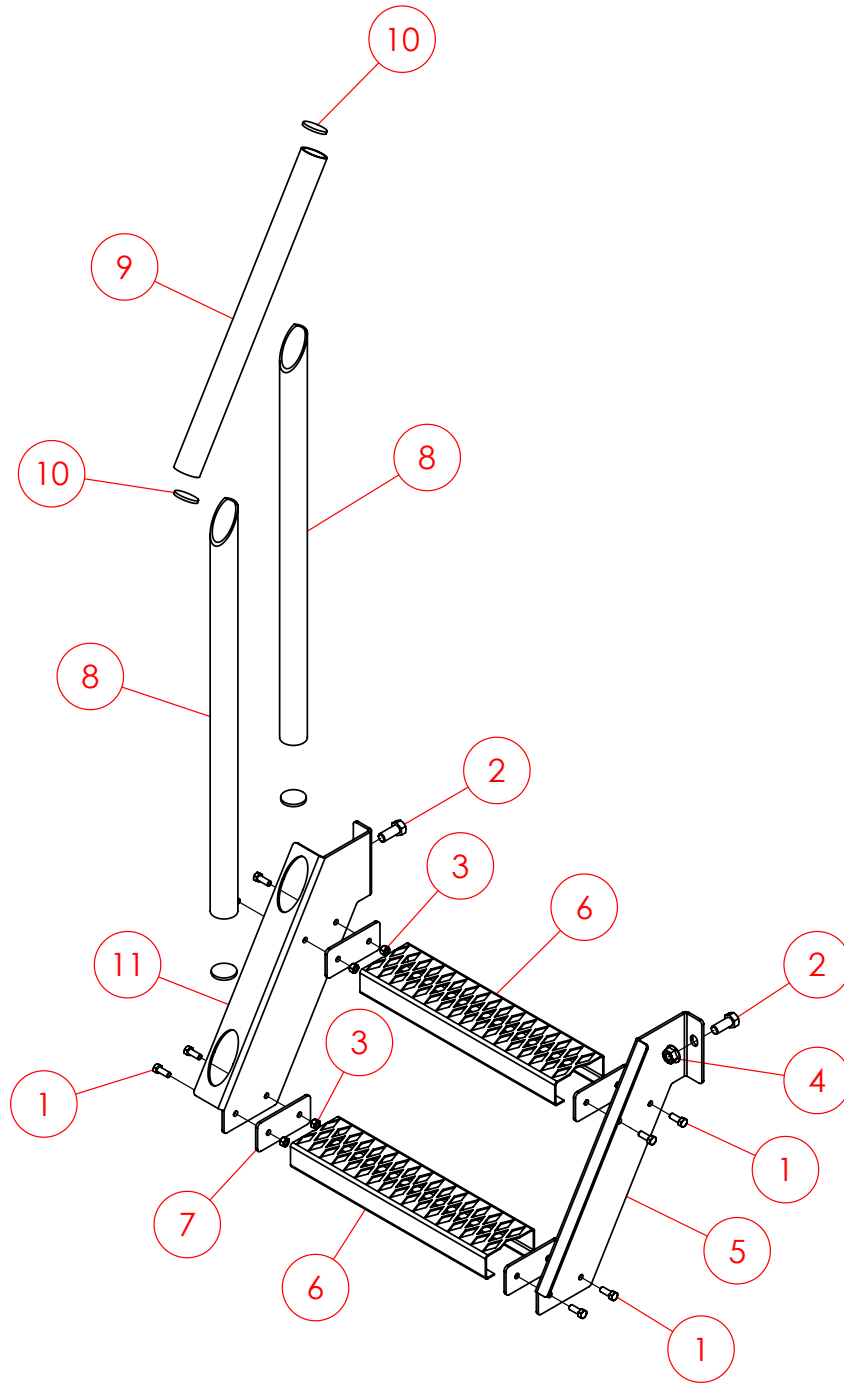
**SAF-HOLLAND MEXICO • 52.55.5362.8743 • Fax 52.55.5362.8743**

[www.safholland.com.mx](http://www.safholland.com.mx)

[info@safholland.com](mailto:info@safholland.com)

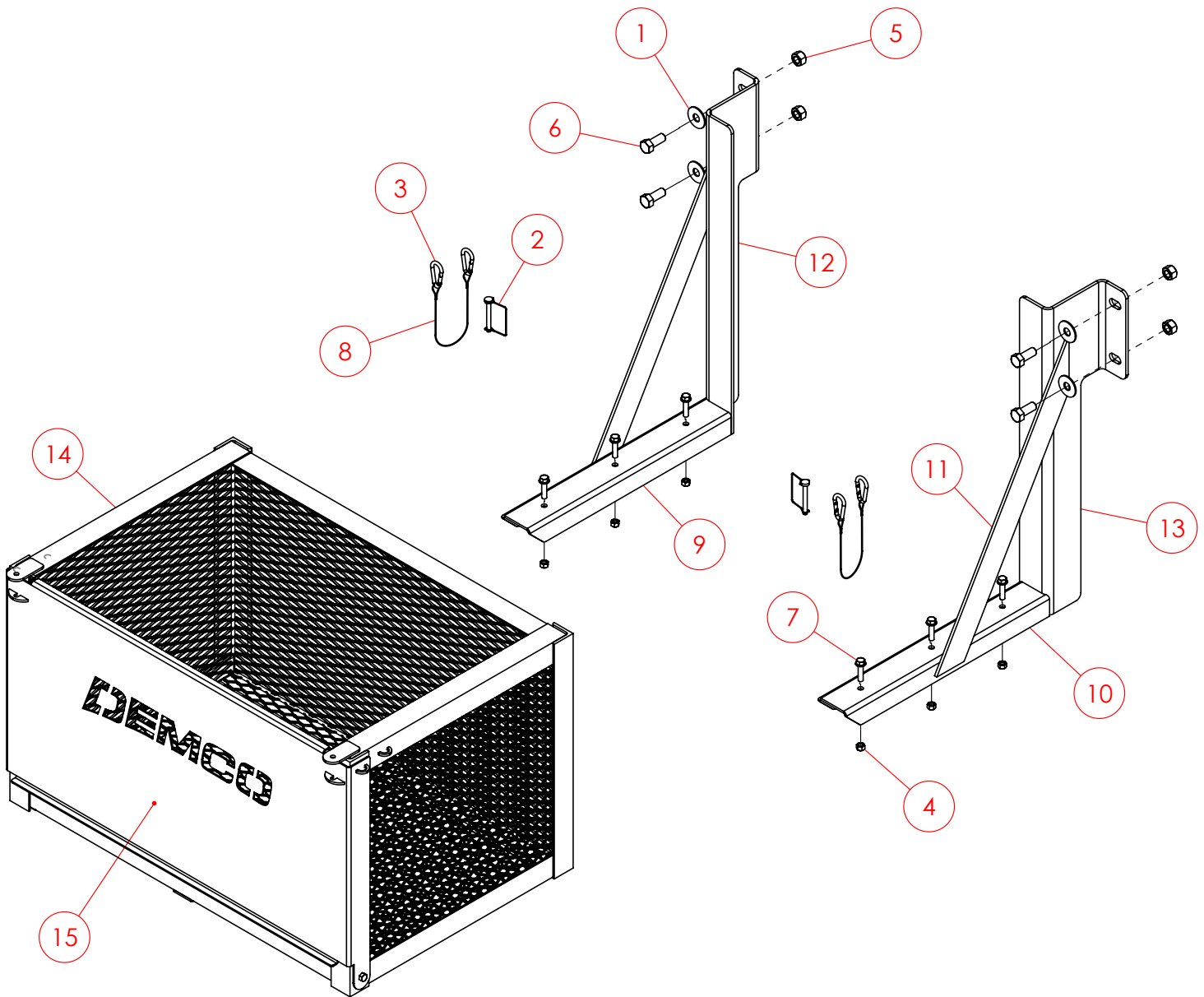


## 5D000260 - LEFT RAILING



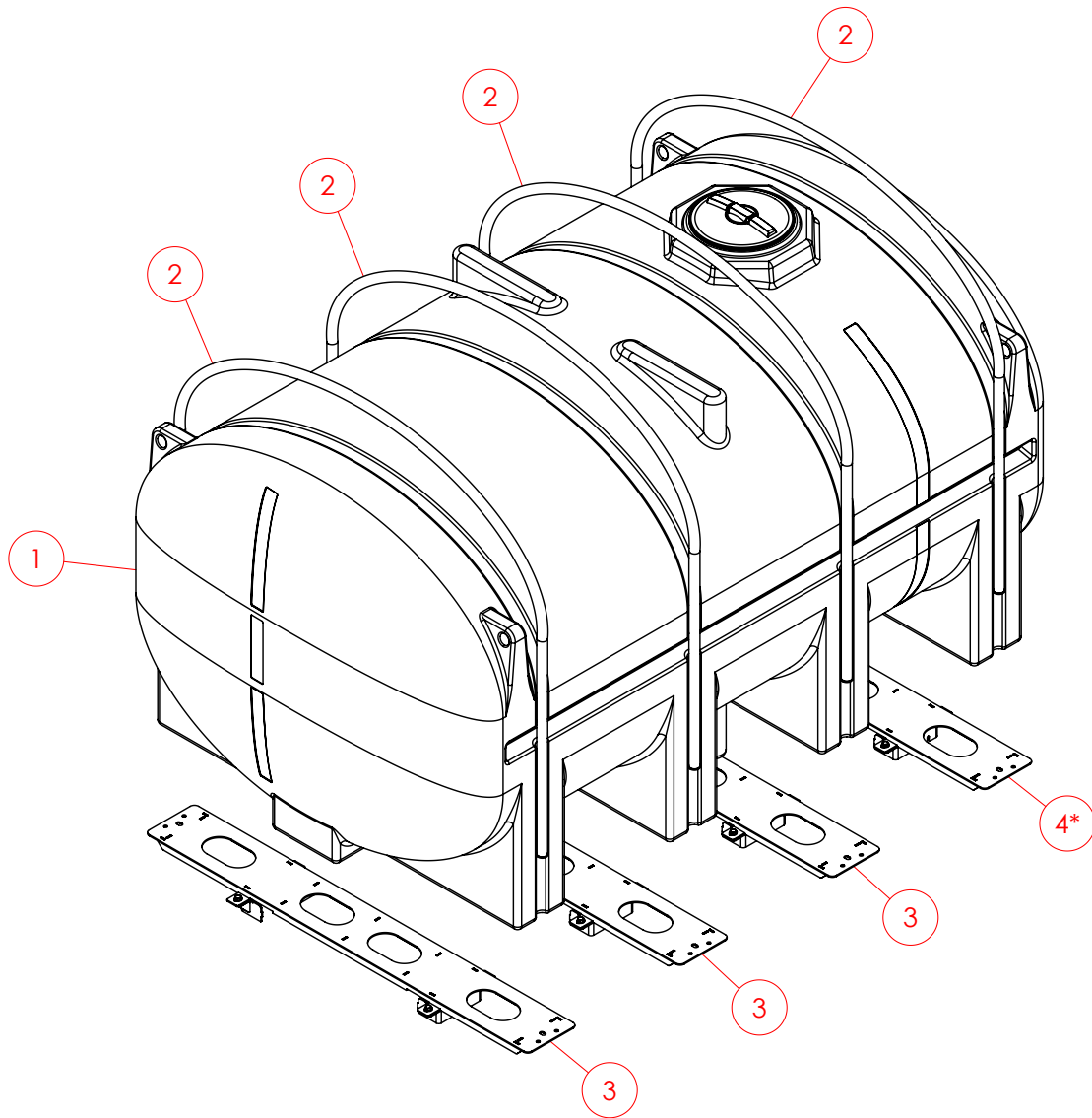
REF. NO.	PART NO.	QTY.	DESCRIPTION
1.	1AFC12FAA05	8	3/8"-16 x 1" HEX HEAD BOLT GR.5
2.	1AFC12JAAH5	2	5/8"-11 x 1-1/2" HEX BOLT GR.5
3.	1AFC17F0000	8	3/8" HEX NUT
4.	1AFY08J0005	2	5/8"-11 FLANGE LOCK NUT DTSM GR.5
5.	3D000354	1	CHASSIS STEP SIDE PLATE, REAR
6.	3D000356	2	2" x 4/75" DIAMOND DECK PLATFORM 100
7.	3D000357	4	CHASSIS STEP END CAP
9.	3D000572	2	SPRAY TENDER STEP HANDRAIL SUPPORT
10.	3D000573	1	SPRAY TENDER STEP HANDRAIL
11.	3D000574	4	SPRAY TENDER STEP HANDRAIL CAP
12.	3D000575	1	SPRAY TENDER STEP RAIL - LEFT RAILING

## 5D000292 - STORAGE W/ BRACKETS



REF. NO.	PART NO.	QTY.	DESCRIPTION
1.	1AF009J0000	4	5/8" FLAT WASHER
2.	1AF026EBAH0	2	5/16" x 2-1/2" LINCHPIN
3.	1AF245014ZP	4	1/4" ZINC PLATED CARABINER, 100 LB. CAP.
4.	1AFC05F0000	6	3/8" CENTER LOCK NUT
5.	1AFC05J0000	4	5/8" CENTER LOCK NUT
6.	1AFC12JAAH5	4	5/8"-11 x 1-1/2" HEX BOLT GR.5
7.	1AFC37FAAH5	6	3/8"-16 x 1-1/2" SER FLNG BOLT GR. 5
8.	1AFU76CA116	2	18-8 STAINLESS STEEL LANYARD 14"
9.	3D000158	1	DD TOOLBOX BOTTOM SUPPORT, LEFT
10.	3D000159	1	DD TOOLBOX BOTTOM SUPPORT, RIGHT
11.	3D000161	2	DD TOOLBOX BRACKET, SIDE GUSSET
12.	3D000606	1	SPRAY TENDER STORAGE BRACKET, LEFT
13.	3D000607	1	SPRAY TENDER STORAGE BRACKET, RIGHT
14.	5D000291	3	LIQUID TENDER - STORAGE
15.	5D000290	1	STORAGE DOOR

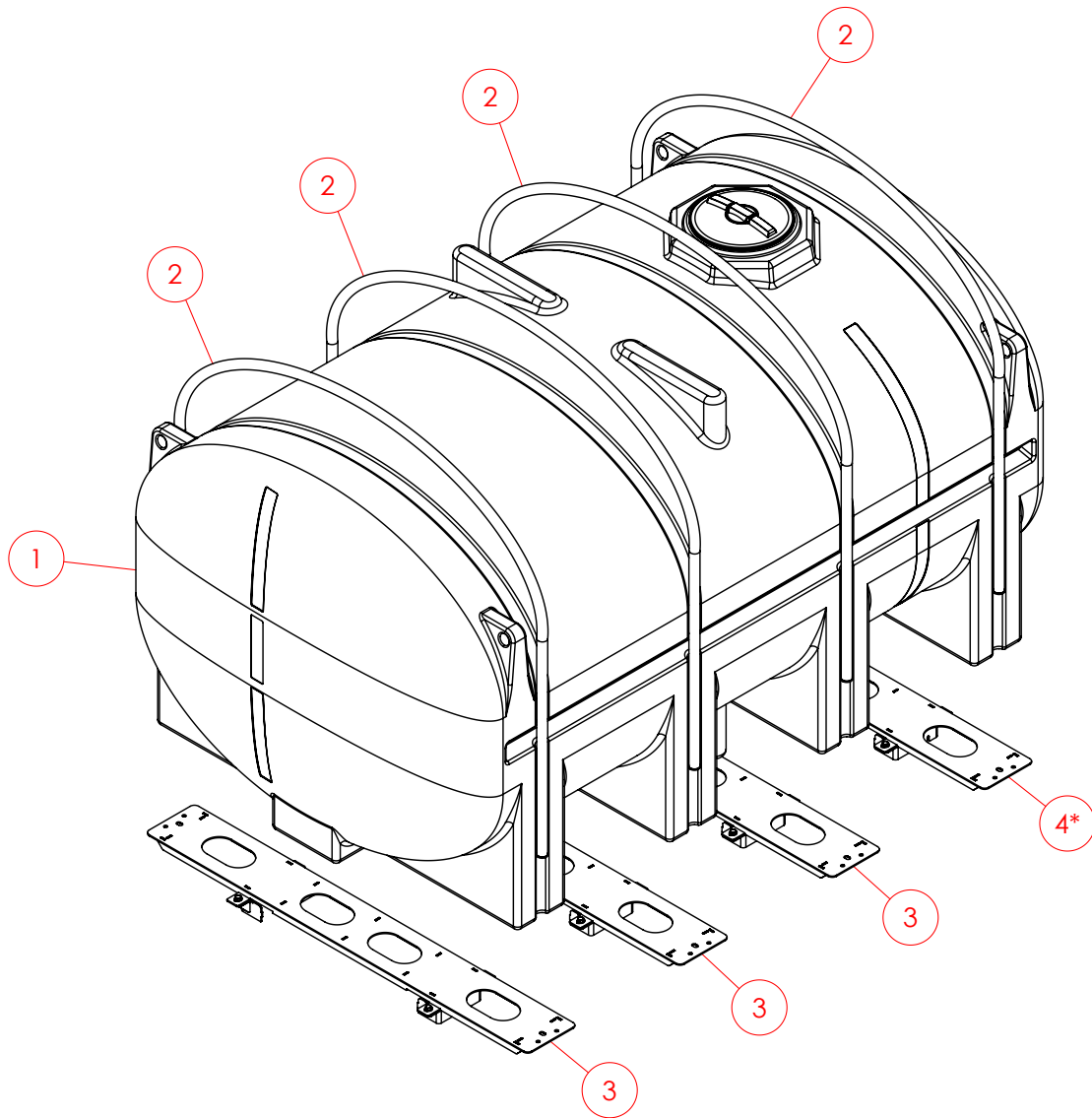
## DEN HARTOG 3250 TANK & BRACKETS



REF. NO.	PART NO.	QTY.	DESCRIPTION
1.	1AUT325088B	2	3250 GALLON ELIPTICAL LEG TANK
2.	1AUT3250HPS	8	HOOP W/ THREADED INSERT
3.	5D000274	7	TANK SECUREMENT 2.0
4.	5D000275	1	TANK SECUREMENT 2.1
5.	1AUT3250LAD	2	TANK LADDER

\*Front tank only

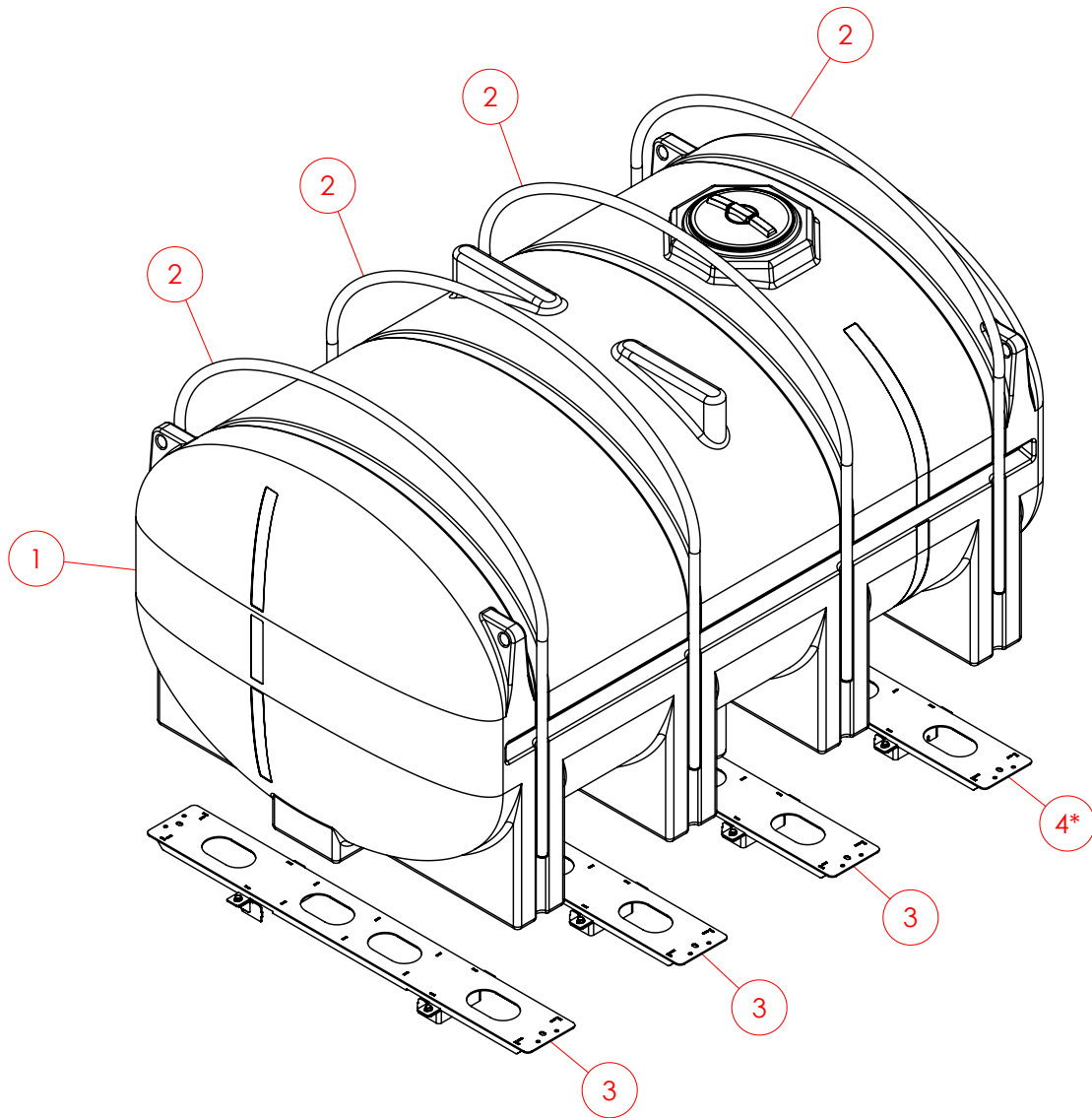
## DEN HARTOG 2750 TANK & BRACKETS



REF. NO.	PART NO.	QTY.	DESCRIPTION
1.	1AUT275088B	2	2750 GALLON ELIPTICAL LEG TANK
2.	1AUT3250HPS	8	HOOP W/ THREADED INSERT
3.	5D000274	7	TANK SECUREMENT 2.0
4.	5D000275	1	TANK SECUREMENT 2.1

\*Front tank only

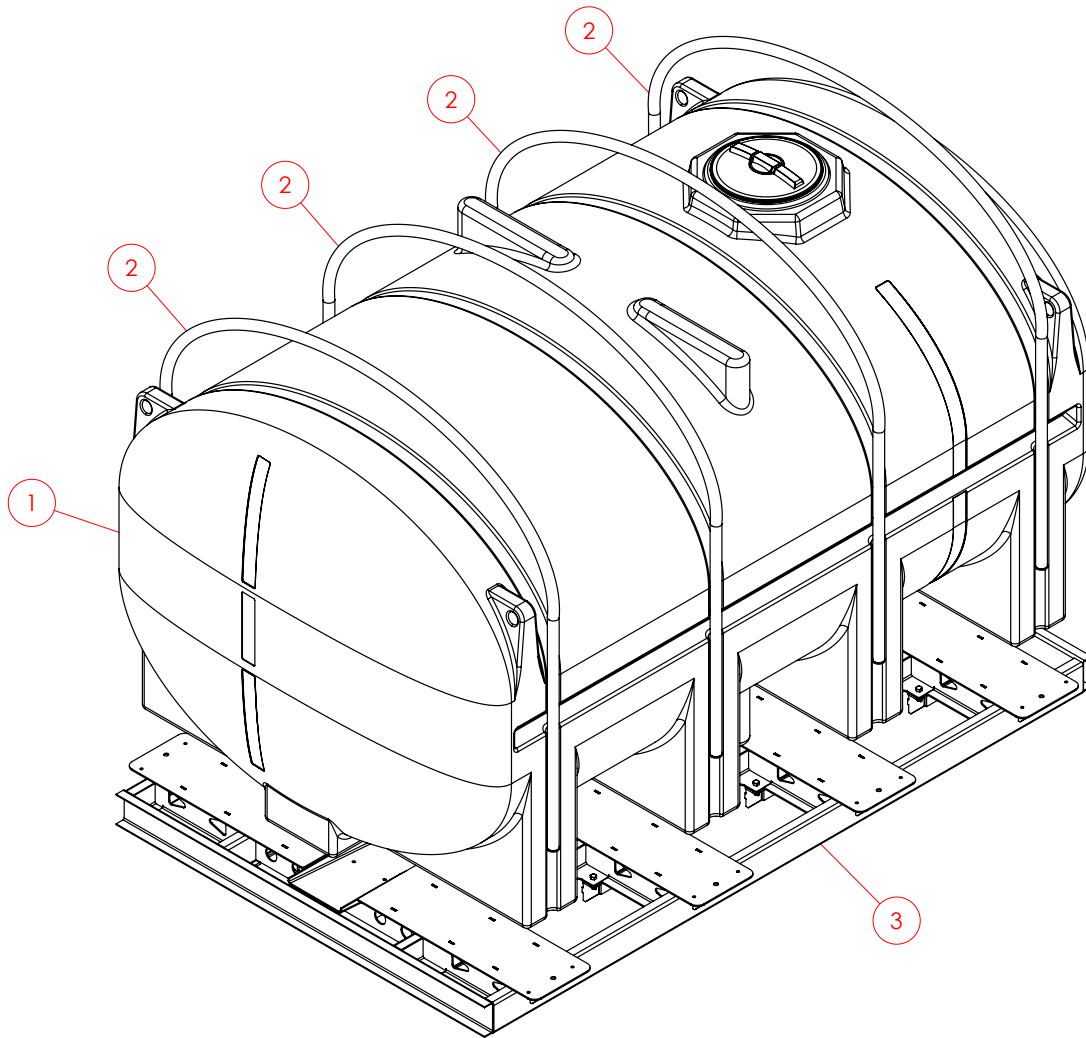
## DEN HARTOG 2350 TANK & BRACKETS



REF. NO.	PART NO.	QTY.	DESCRIPTION
1.	1AUT235088B	2	2350 GALLON ELIPTICAL LEG TANK
2.	1AUT2350HPS	8	HOOP W/ THREADED INSERT
3.	5D000274	7	TANK SECUREMENT 2.0
4.	5D000275	1	TANK SECUREMENT 2.1

\*Front tank only

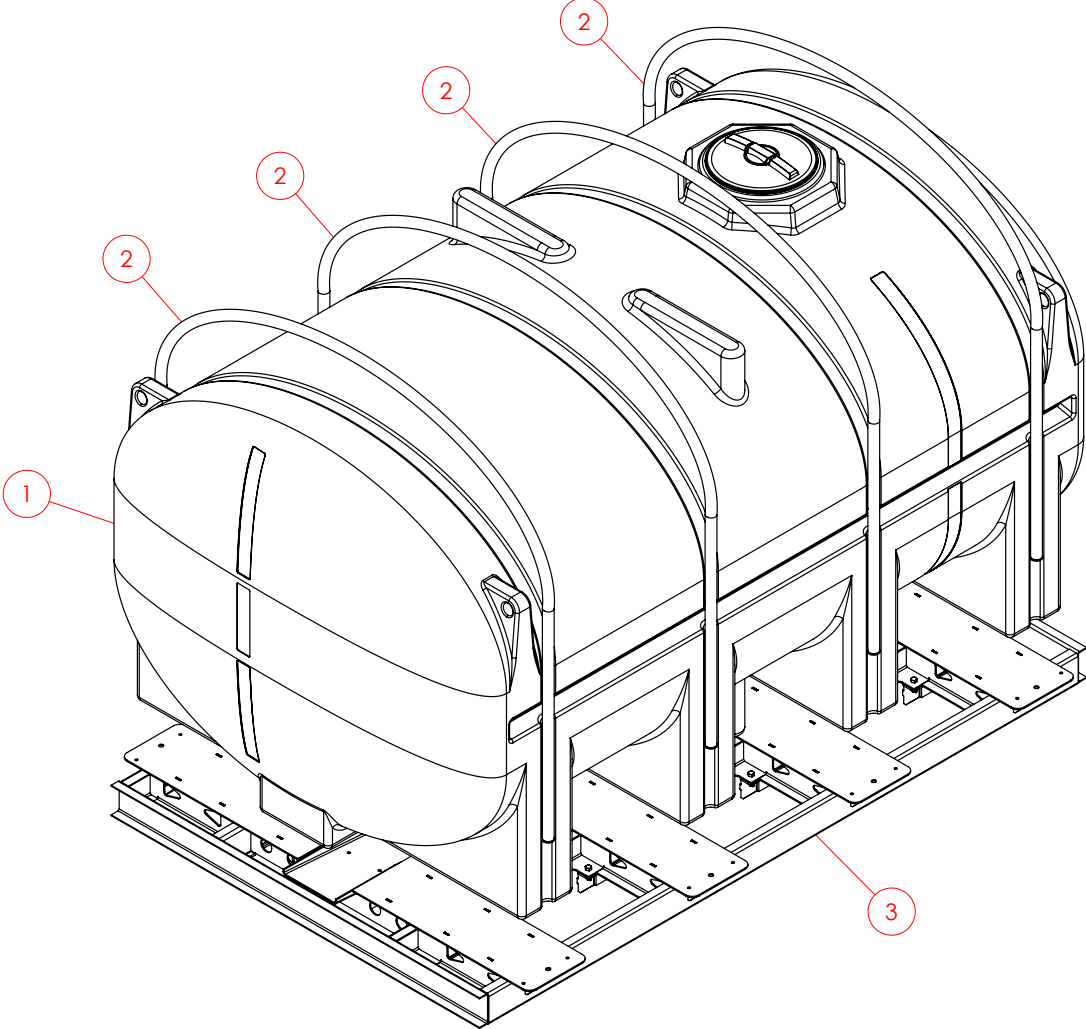
# DEN HARTOG 3250 FRONT CENTER SUMP TANK & BRACKETS



REF. NO.	PART NO.	QTY.	DESCRIPTION
1.	1AUT325088B	1	3250 GALLON ELIPTICAL LEG TANK
2.	1AUT3250HPS	4	HOOP W/ THREADED INSERT
3.	5D000300	1	CENTER SUMP TANK SKID
4.	1AUT3250LAD	1	TANK LADDER

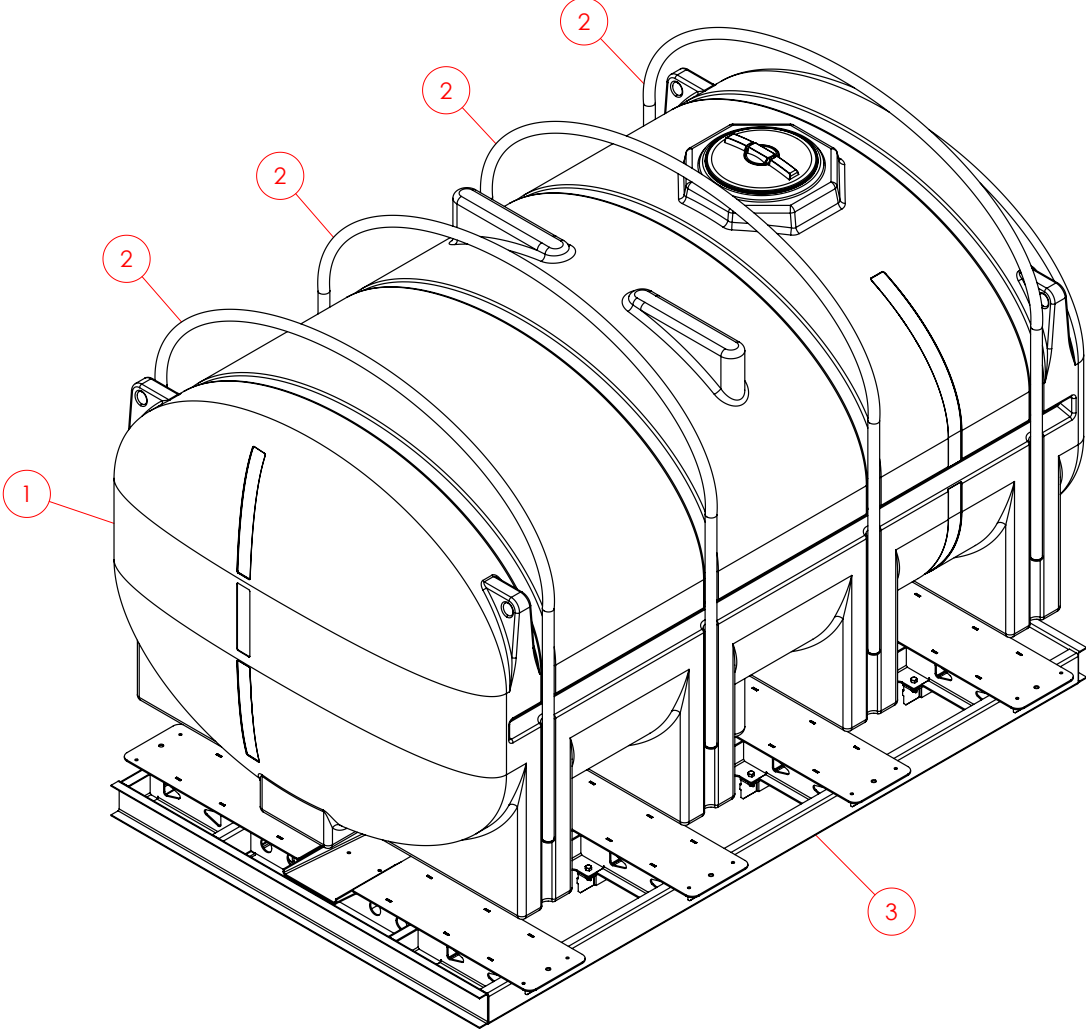


# DEN HARTOG 2750 FRONT CENTER SUMP TANK & BRACKETS



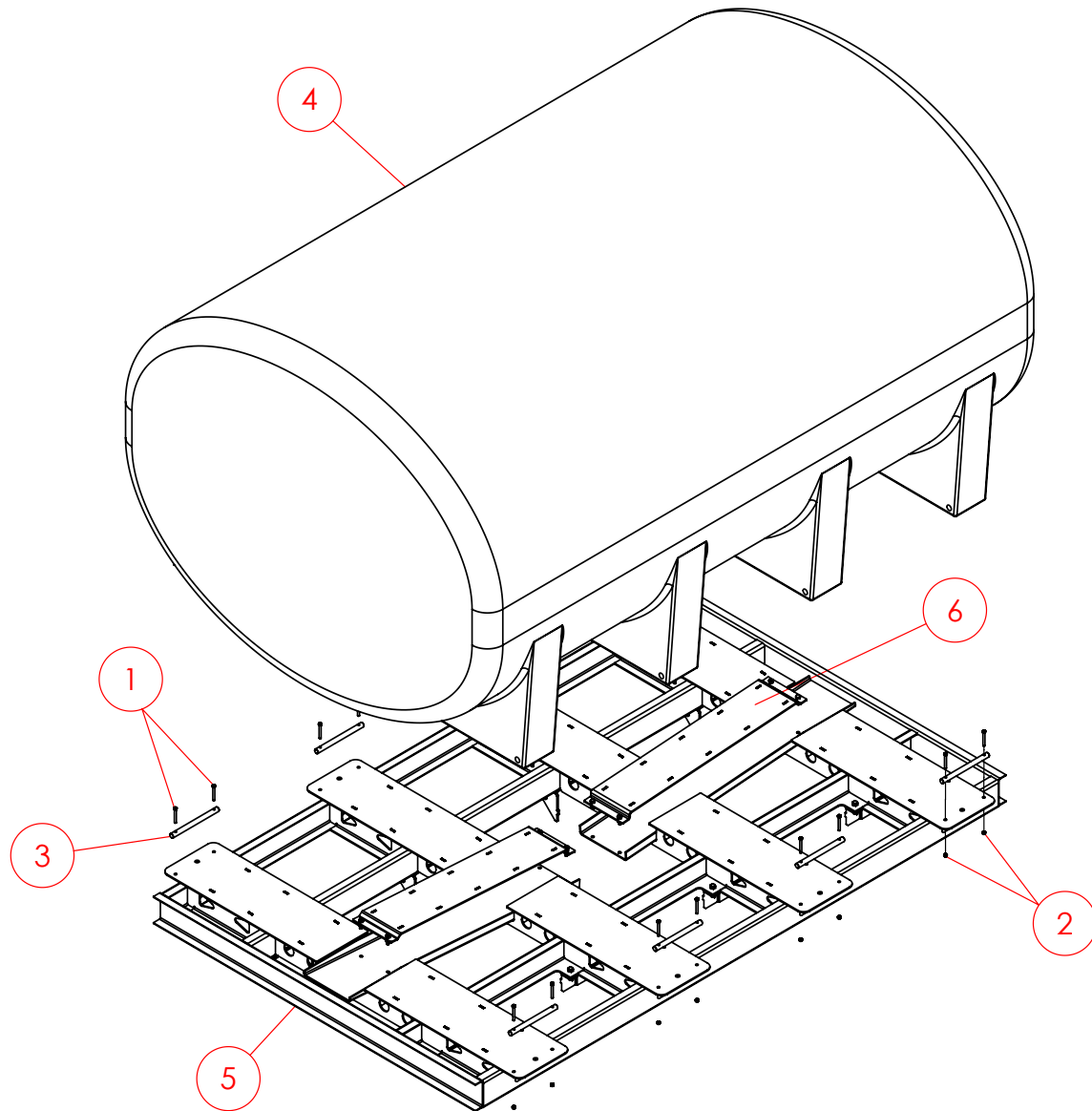
REF. NO.	PART NO.	QTY.	DESCRIPTION
1.	1AUT275088B	1	2750 GALLON ELIPTICAL LEG TANK
2.	1AUT3250HPS	4	HOOP W/ THREADED INSERT
3.	5D000300	1	CENTER SUMP TANK SKID

# DEN HARTOG 2350 FRONT CENTER SUMP TANK & BRACKETS



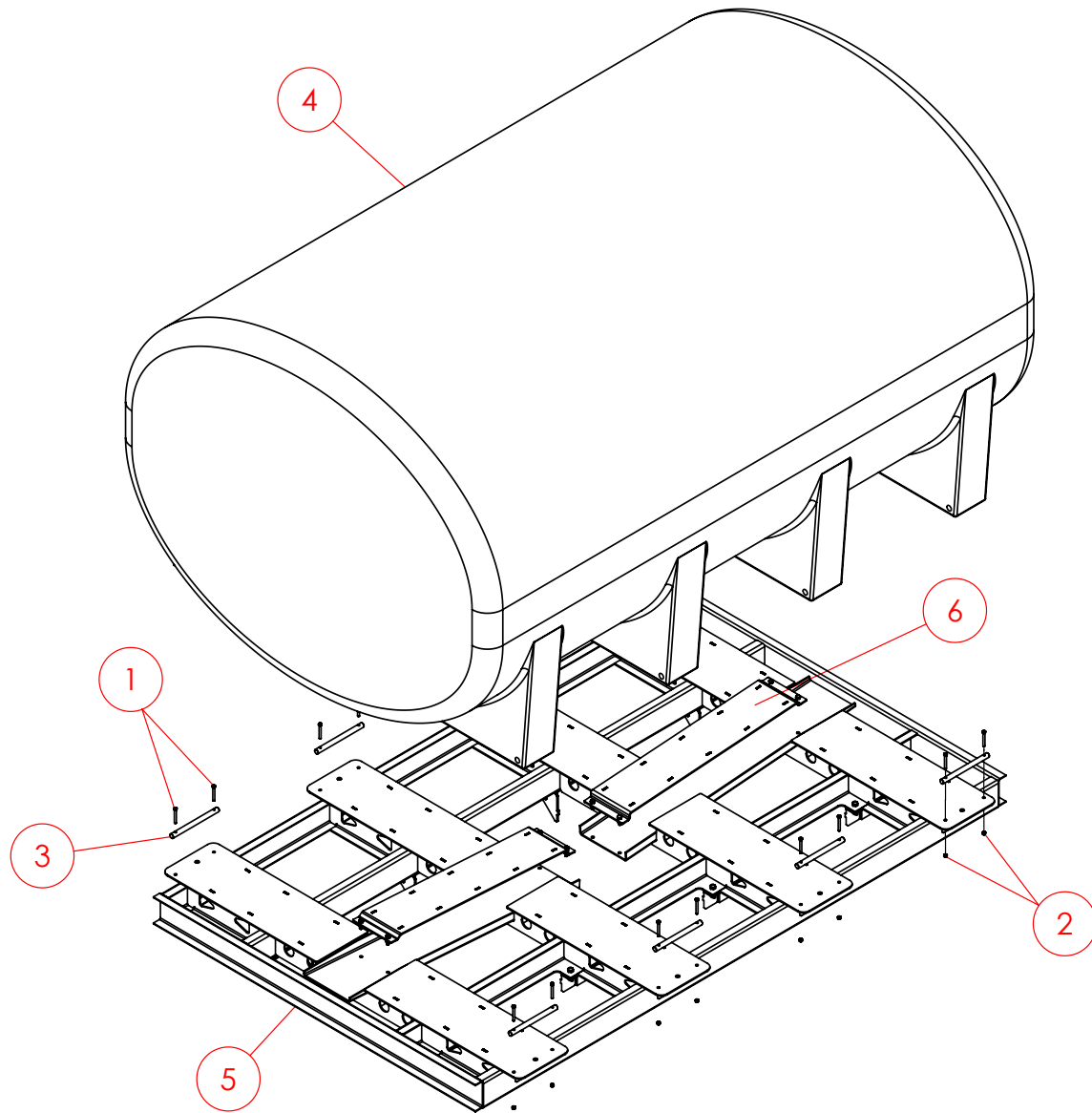
REF. NO.	PART NO.	QTY.	DESCRIPTION
1.	1AUT235088B	1	2350 GALLON ELIPTICAL LEG TANK
2.	1AUT2350HPS	4	HOOP W/ THREADED INSERT
3.	5D000300	1	CENTER SUMP TANK SKID

# ENDURAPLAS 3200 FRONT CENTER SUMP TANK & BRACKETS



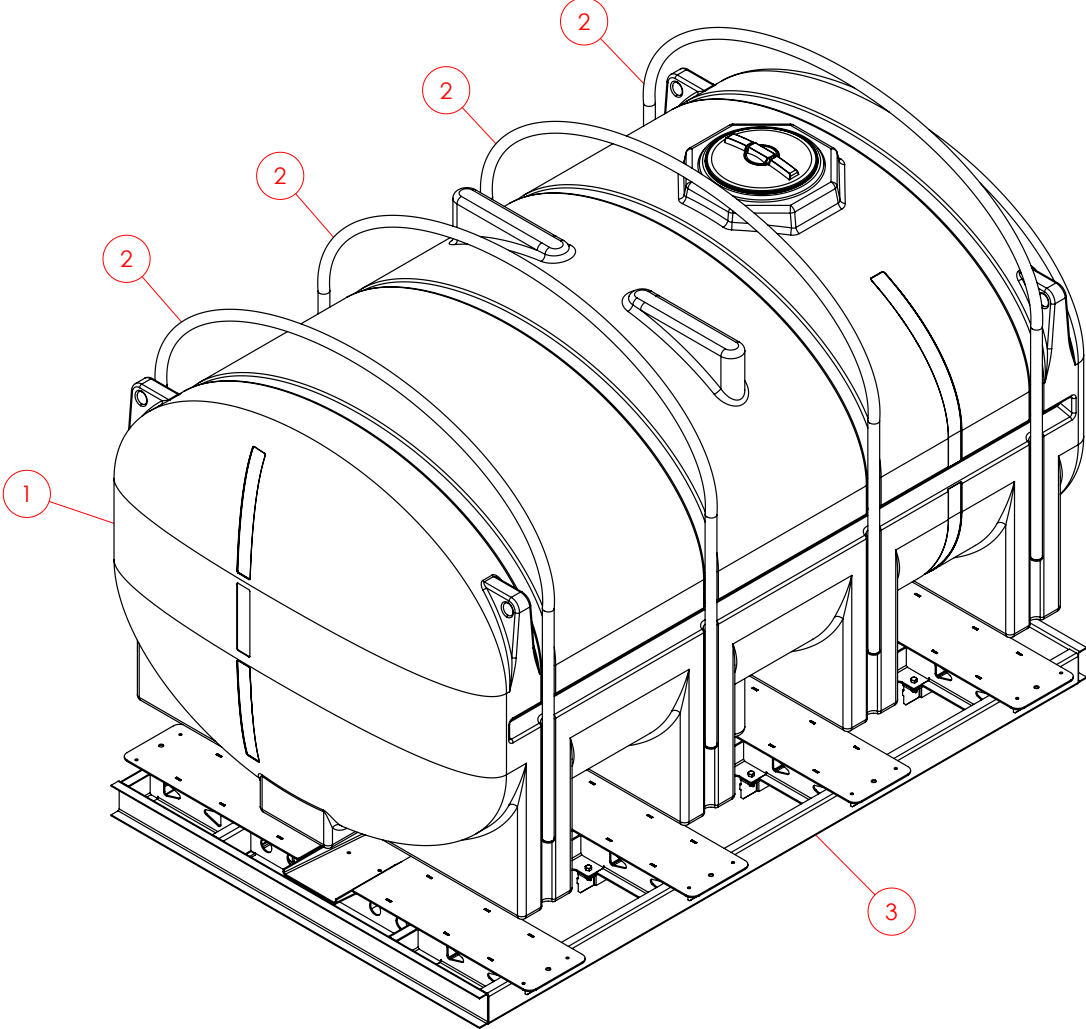
REF. NO.	PART NO.	QTY.	DESCRIPTION
1.	1AFC12FCA05	16	3/8-16 x 3" HEX BOLT GR.5
2.	1AFC18F0000	16	3/8-16 HEX NUT NYLOCK
3.	1AUAZP04000	8	MOUNTING PIN
4.	1AUTS3200LP	1	3200 GALLON ELIPTICAL LEG TANK
5.	5D000300	1	CENTER SUMP TANK SKID
6.	5D000302	2	CENTER SUMP ADAPTER

# ENDURAPLAS 2800 FRONT CENTER SUMP TANK & BRACKETS



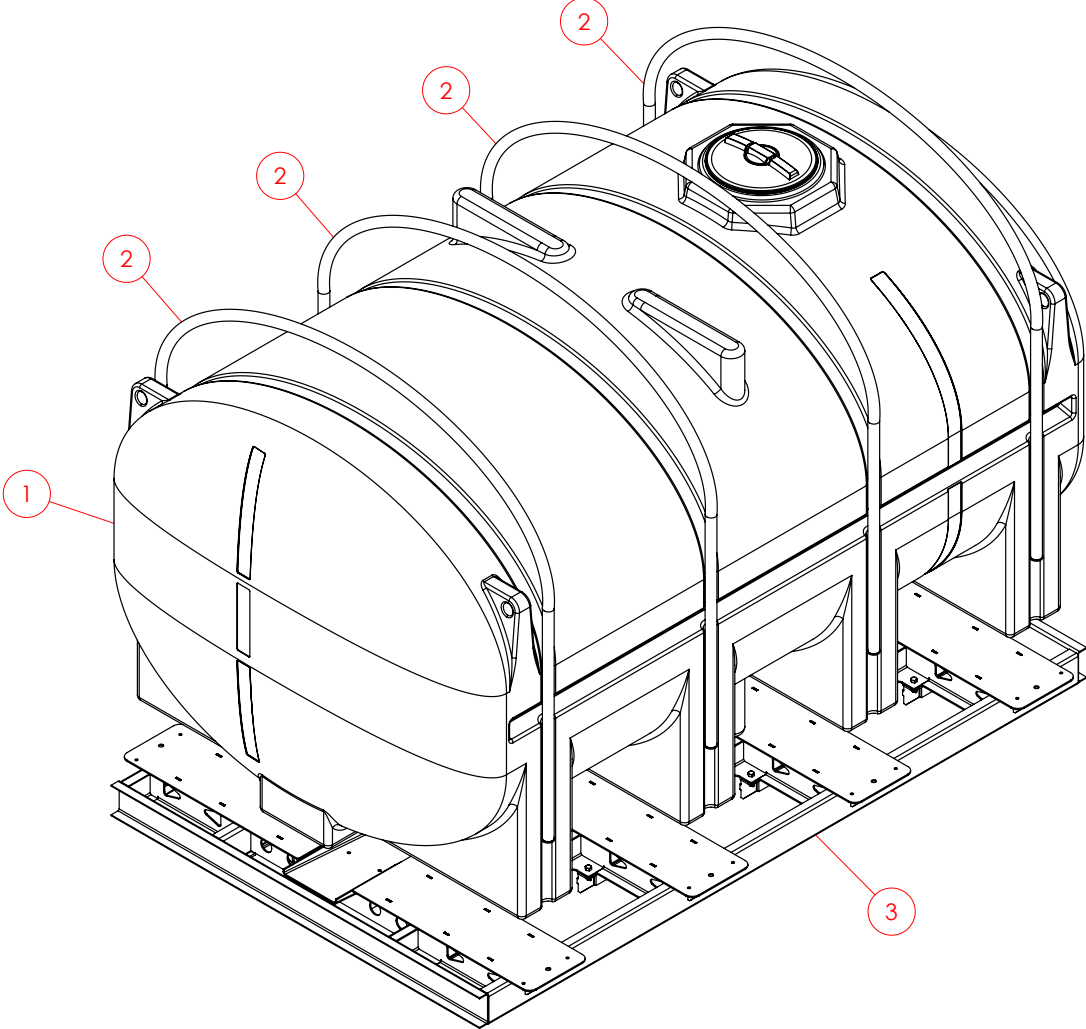
REF. NO.	PART NO.	QTY.	DESCRIPTION
1.	1AFC12FCA05	16	3/8-16 x 3" HEX BOLT GR.5
2.	1AFC18F0000	16	3/8-16 HEX NUT NYLOCK
3.	1AUAZP04000	8	MOUNTING PIN
4.	1AUTS2800LP	1	2800 GALLON ELIPTICAL LEG TANK
5.	5D000300	1	CENTER SUMP TANK SKID
6.	5D000302	2	CENTER SUMP ADAPTER

# DEN HARTOG 3250 REAR CENTER SUMP TANK & BRACKETS



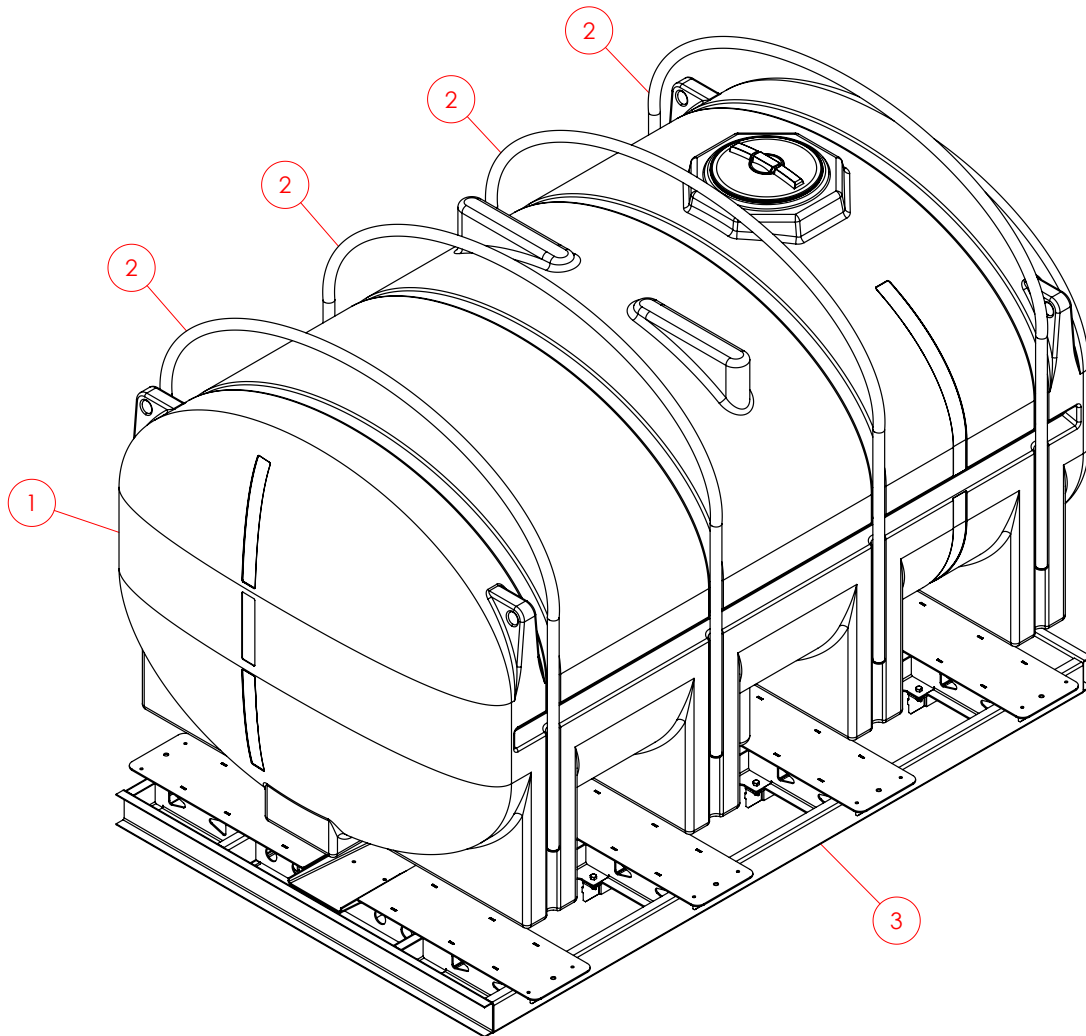
REF. NO.	PART NO.	QTY.	DESCRIPTION
1.	1AUT325088B	1	3250 GALLON ELIPTICAL LEG TANK
2.	1AUT3250HPS	4	HOOP W/ THREADED INSERT
3.	5D000301	1	CENTER SUMP TANK SKID
4.	1AUT3250LAD	1	TANK LADDER

# DEN HARTOG 2750 REAR CENTER SUMP TANK & BRACKETS



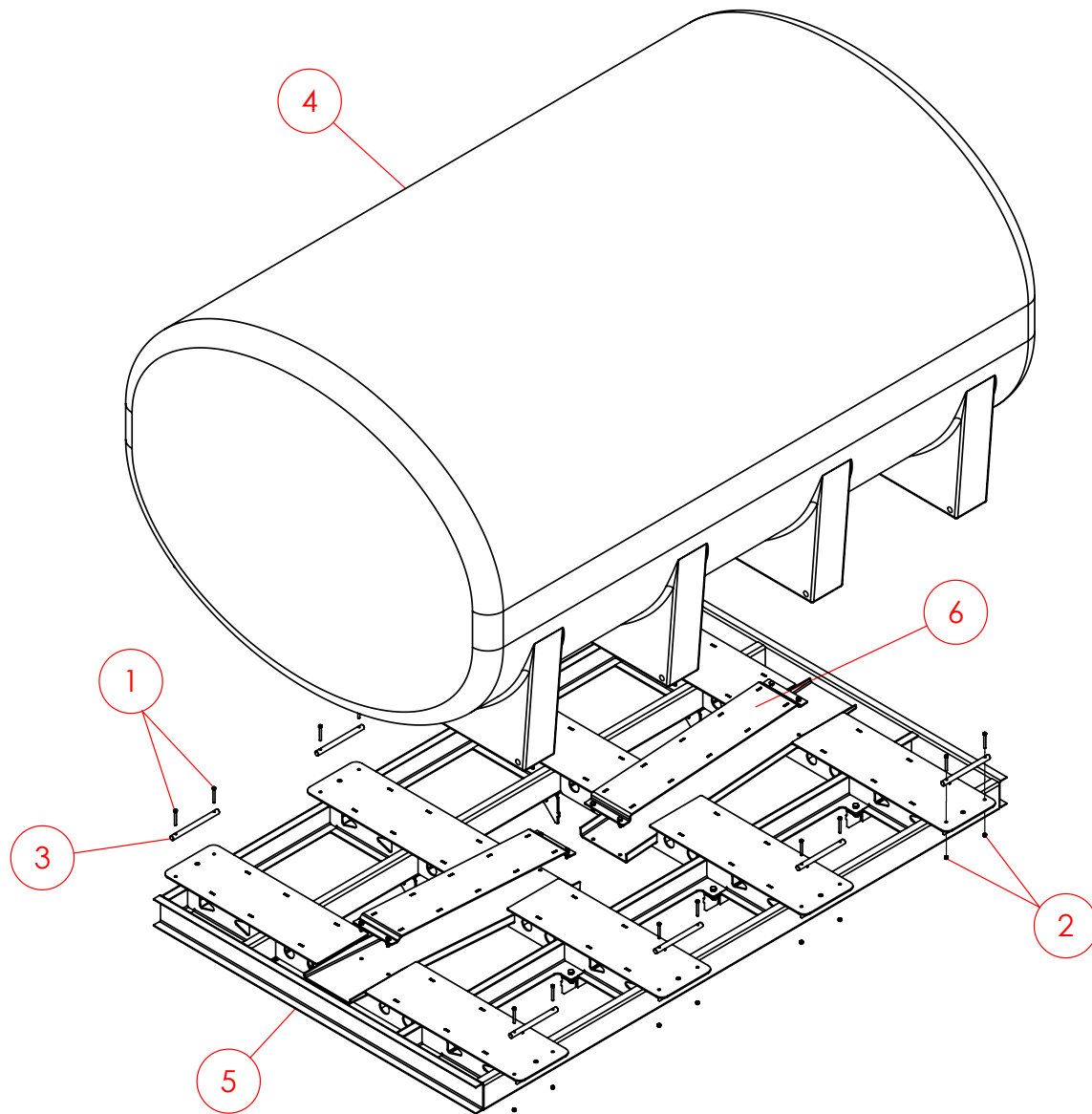
REF. NO.	PART NO.	QTY.	DESCRIPTION
1.	1AUT275088B	1	2750 GALLON ELIPTICAL LEG TANK
2.	1AUT3250HPS	4	HOOP W/ THREADED INSERT
3.	5D000301	1	CENTER SUMP TANK SKID

# DEN HARTOG 2350 REAR CENTER SUMP TANK & BRACKETS



REF. NO.	PART NO.	QTY.	DESCRIPTION
1.	1AUT235088B	1	2350 GALLON ELIPTICAL LEG TANK
2.	1AUT2350HPS	4	HOOP W/ THREADED INSERT
3.	5D000301	1	CENTER SUMP TANK SKID

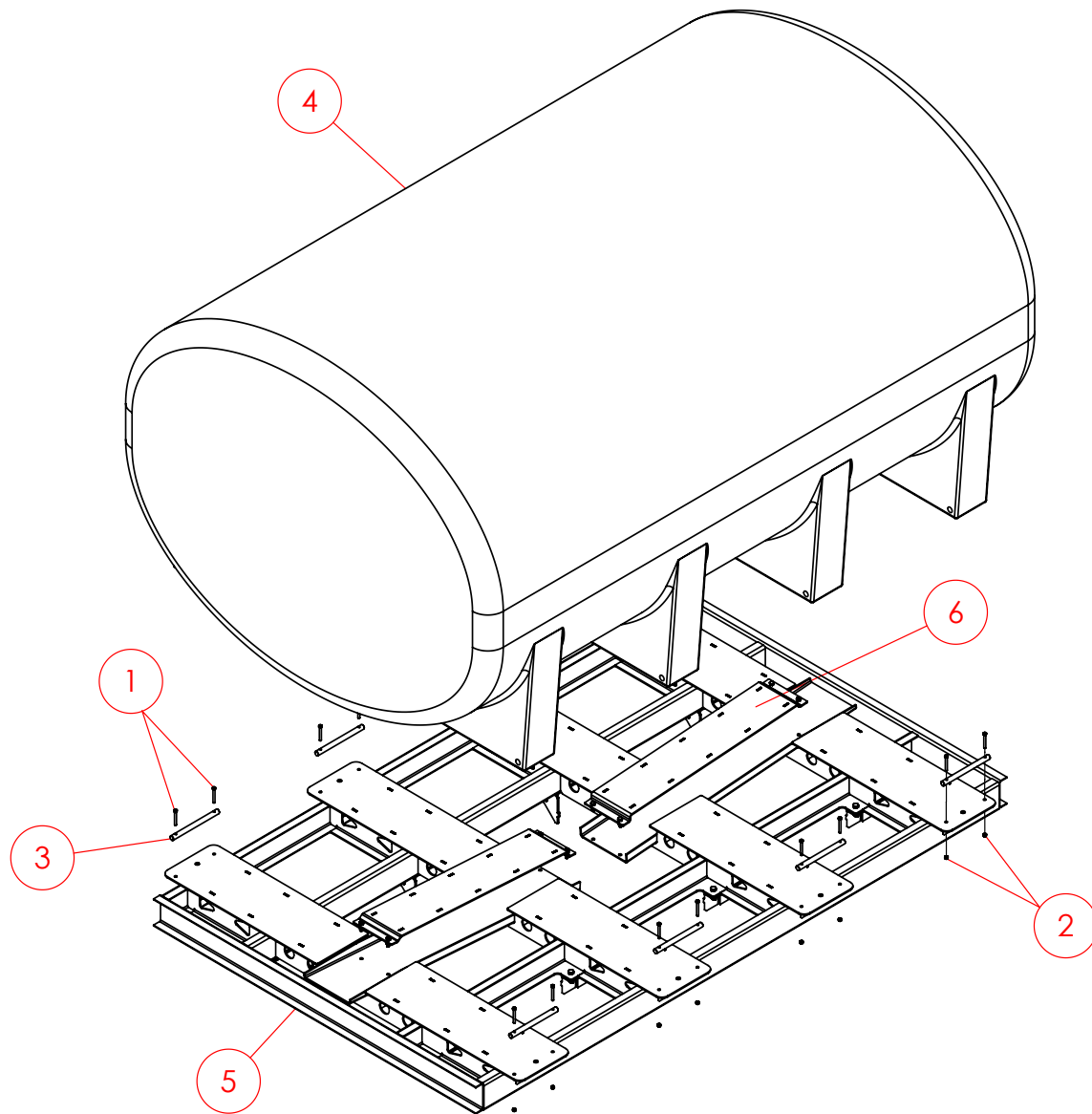
# ENDURAPLAS 3200 REAR CENTER SUMP TANK & BRACKETS



REF. NO.	PART NO.	QTY.	DESCRIPTION
1.	1AFC12FCA05	16	3/8-16 x 3" HEX BOLT GR.5
2.	1AFC18F0000	16	3/8-16 HEX NUT NYLOCK
3.	1AUAZP04000	8	MOUNTING PIN
4.	1AUTS3200LP	1	3200 GALLON ELIPTICAL LEG TANK
5.	5D000300	1	CENTER SUMP TANK SKID
6.	5D000302	2	CENTER SUMP ADAPTER



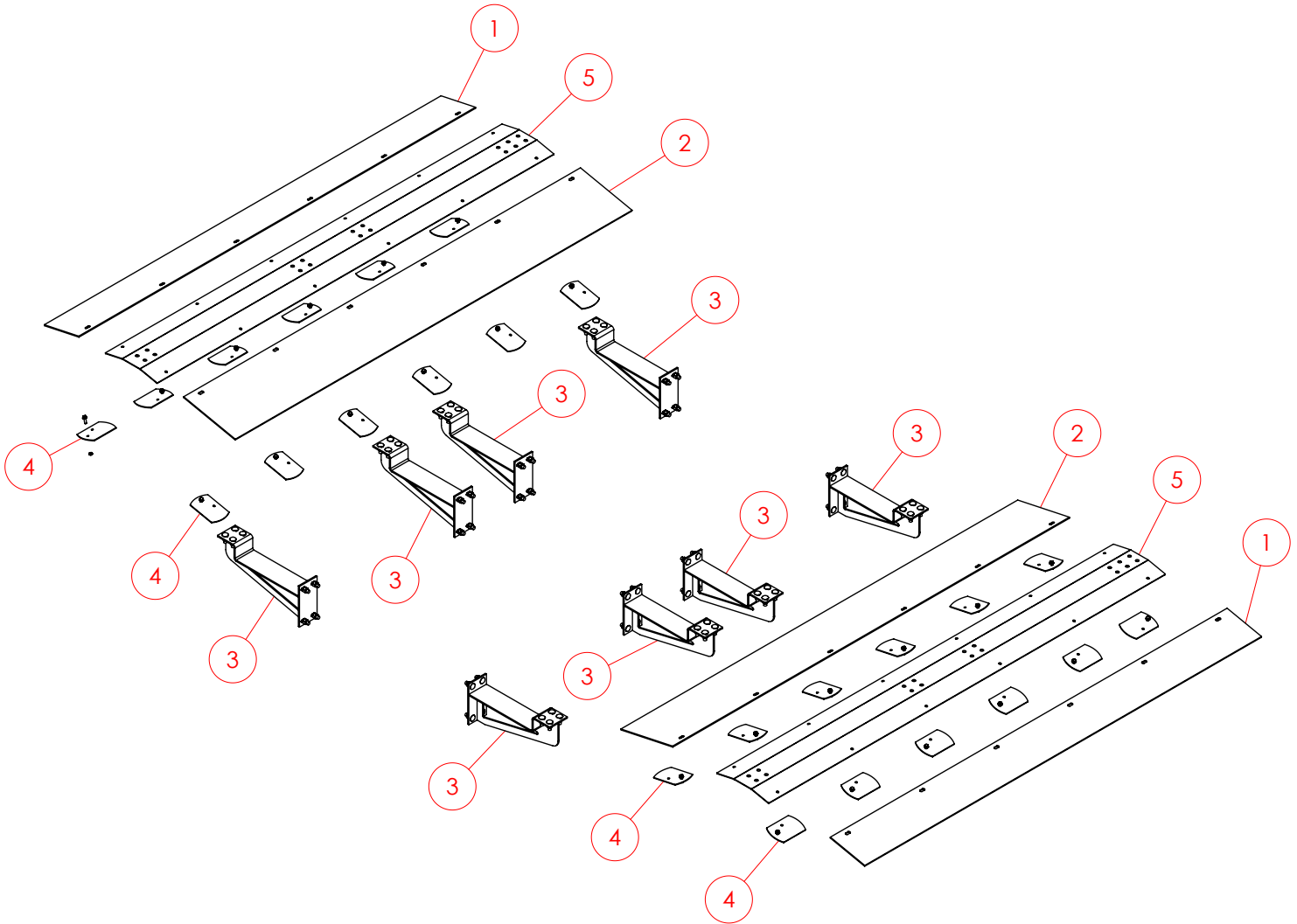
# ENDURAPLAS 2800 REAR CENTER SUMP TANK & BRACKETS



REF. NO.	PART NO.	QTY.	DESCRIPTION
1.	1AFC12FCA05	16	3/8-16 x 3" HEX BOLT GR.5
2.	1AFC18F0000	16	3/8-16 HEX NUT NYLOCK
3.	1AUAZP04000	8	MOUNTING PIN
4.	1AUTS2800LP	1	2800 GALLON ELIPTICAL LEG TANK
5.	5D000300	1	CENTER SUMP TANK SKID
6.	5D000302	2	CENTER SUMP ADAPTER

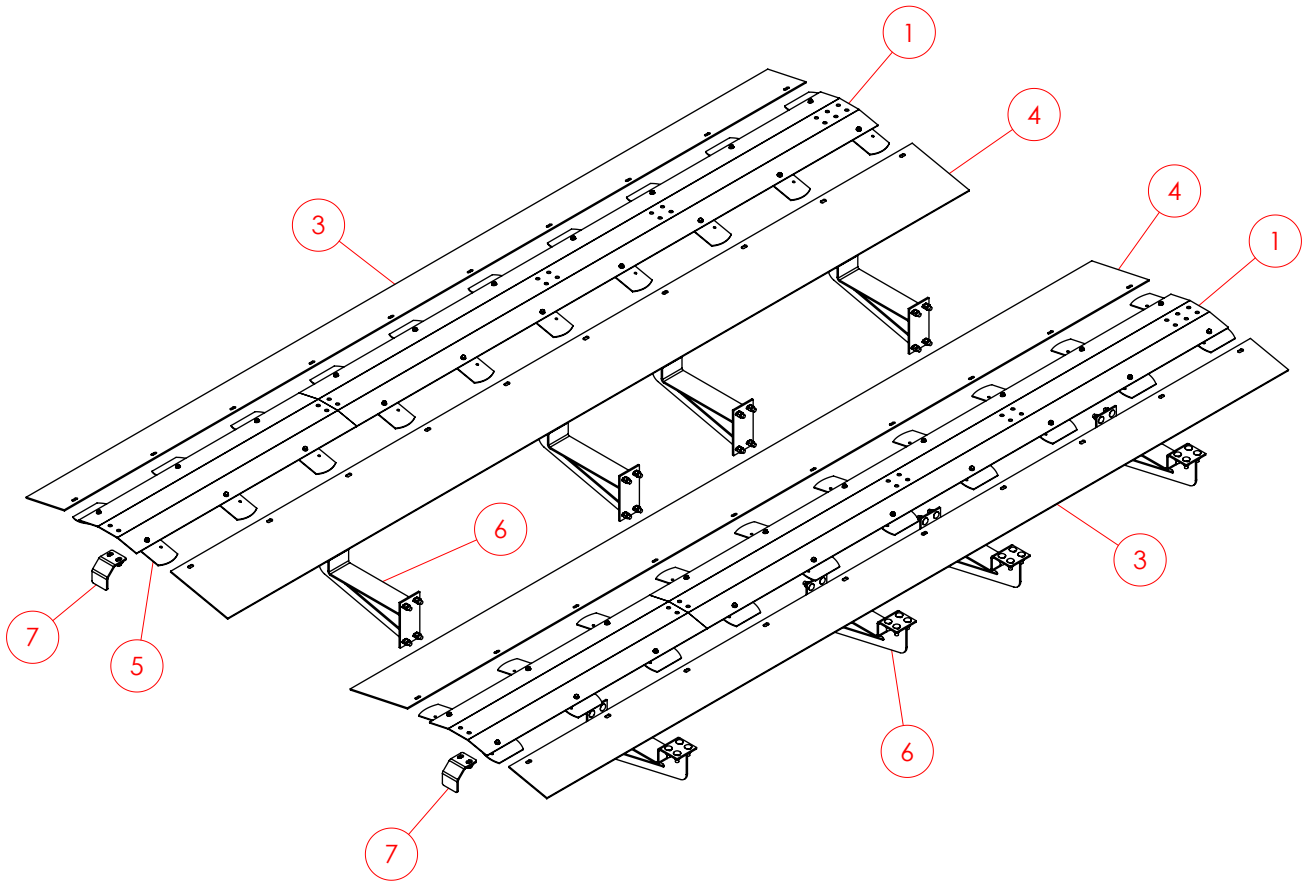


## 42' REAR FENDERS



REF. NO.	PART NO.	QTY.	DESCRIPTION
1.	AM9095	2	FENDER RUBBER, 8" x 90-3/16", REAR, TNDM
2.	AM9094	2	FENDER RUBBER, 12" x 90-3/16", REAR, TNDM
3.	5D000258	8	SPRAY TENDER REAR FENDER MOUNT
4.	5C000012	24	FENDER WASHER & BOLT
5.	3D000568	2	SPRAY TENDER REAR FENDER SUPPORT

## 48' REAR FENDERS



REF. NO.	PART NO.	QTY.	DESCRIPTION
1.	3D000660	2	SPRAY TENDER REAR FENDER SUPPORT 1
2.	3D000661	2	SPRAY TENDER REAR FENDER SUPPORT 2
3.	3D000662	2	FENDER RUBBER, 8" x 158-3/8"
4.	3D000663	2	FENDER RUBBER, 12" x 158-3/8"
5.	5C000012	40	FENDER WASHER & BOLT
6.	5D000258	8	SPRAY TENDER FENDER MOUNT/HARDWARE
7.	5D000318	2	SPRAY TENDER JR I-BEAM FENDER BRACKET

## WIRING

### Junction Box

Demco Dropdeck Trailers use a Truck-Lite 88 Series sealed wiring harness. A 7-pole nose box is used in conjunction with the wire harness.

### Trailer Lights

The table below provides wire color codes for all trailers:

Yellow - Left Turn	Brown - Tail Lights	Green - Right Turn	White - Ground
Red - Stop Light	Blue - A.B.S	Black - Clearance, Cluster and License Plate	

## CLEANING THE TRAILER

It is imperative trailers constructed of steel be kept clean of salt and other harmful elements. Failure to wash your trailer regularly and properly care for the paint and body may void any paint warranty claims if the trailer shows signs of neglect or abuse.

When cleaning the trailer use a mild soap and rinse. Wash underneath both kingpin and suspension areas. Keeping your trailer clean will help rid your trailer of salt and other harmful elements. This will help keep your trailer looking new and improve it's resale value.

## VISUAL INSPECTION

For safe operating conditions and longer component life make these visual inspections before the trailer is released for work. Remember the Department of Transportation mandates you do this inspection.

1. Check the angle of the chassis.  
To get conditions for least tire wear, a loaded trailer must travel parallel to the highway. A level angle of the chassis permits correct wheel chamber without toe-in or toe-out.
2. Check the tires.  
The tires of each dual wheel must be matched to a minimum of 0.125" (3.2 mm) of the same rolling radius and a minimum of 0.75" (19 mm) of the same rolling circumference. The tires also must have equal air pressures.
3. Check the brake drums and linings.  
Both wheel ends of each axle must have the same type of lining and drum equipment. Both tandem axles also must have the same kind of lining and drum equipment.

**NOTE:** Always follow the brake lining specifications supplied by the vehicle manufacturer.

4. Check the thickness of the brake lining.  
The thickness of the brake lining must be the same on each shoe of the brake and on each side of the axle.
5. Check the brake system.  
Apply the brake and check for air leaks at the brakes, air tanks, hoses and valves. When the brakes are applied, the brake shoes must move quickly and the lining must press against the drum. When the brakes are released, the brake shoes must retract fully.
6. Check for leaking lubricant at the wheel ends.  
Leaking lubricant is caused by worn or damaged seal, or wrong gasket or seal installation.

### 5D000288 - TRUCK 12V DC POWER KIT

REF. NO.	PART NO.	QTY.	DESCRIPTION
1.	1AEC0036073	2	EYELETS-BARE COPPER, 6 GA, 3/8" STUD
2.	1AEW000WF62	20'	PARALLEL BATTERY CABLE, 6 GA BLK W/ RED
3.	1AEC0036071	2	EYELETS-BARE COPPER, 6 GA, 1/4" STUD
4.	1AEAP4532	1	CIRCUIT BREAKER,40 AMP,AERO 0755-623501
5.	1AZAP4235	1	PLUG, 2-PIN, MALE, ROLL RITE, TARP

### 5D000289 - TRAILER 12V DC POWER KIT

REF. NO.	PART NO.	QTY.	DESCRIPTION
1.	1AEB0076139	1	BATTERY CHARGER POST, R&B
2.	1AEC0036073	2	EYELETS-BARE COPPER 6 GA, 3/8" STUD
3.	1AEU0023506	2	ALTERNATOR BOOT FOR 8-2 GA - BLACK
4.	1AEW000WF62	20'	PARALLEL BATTERY CABLE, 6 GA BLK W/RED
5.	1AF009D0000	4	1/4" FLAT WASHER
6.	1AFBP3587	2	NUT, HEX LOCK, 1/4"-20, NYLOCK
7.	1AFC12DAA05	2	1/4-20 x 1 HEX BOLT
8.	1AQPOSINEGI	1	POSITIVE / NEGATIVE, DECAL
9.	1AZAP4236	1	PLUG, 2-PIN, FEMALE, SHURFLEX, TARP

## FLOORING

Below are some recommendations from our decking manufacturer. Following these recommendations will extend the life of the wood decking.

# CARE OF WOOD DECKING FOR PLATFORM TRAILERS

Platform trailers that set idle for periods of time are exposed to the elements where they may suffer weather damage. This damage results from excessive sunlight, temperature and/or moisture. The damage from sunlight and high temperatures may take the form of shrinkage to the top face of the decking causing larger than normal spacing to appear between boards. Often this will be accompanied by concave cupping of the decking, which is more pronounced in wider width pieces, and cracking or splitting of the decking known as season checking. Such cracks may cause other problems. The cracks fill with rainwater and absorption of water into wood can lead to degradation as trapped water penetrates the interior portion of the boards.

Prevention of weather damage can be greatly minimized by the applying a good water repellent and UV inhibitor to all visible surfaces of the decking. The cost of labor to apply the treatment and the material itself is modest when compared to the potential degradation from weather elements. It takes less than an hour's labor and approximately four gallons of repellent using a hand held roller or, the more preferred, hand held pump up sprayer to apply protection to the flooring.

Some of the various types of products used today are Thompson's and Baer's Waterseal, boiled linseed oil, Penofin and Wood Guard by ISK Biosciences of Memphis, TN. Any of these products will help increase the life of trailer decking. Incorporating a maintenance program of coating the decking on platform trailers will greatly benefit end users, dealers and manufacturers, especially in the event that trailers set idle for lengthy periods of time.

Best results when utilizing UV-inhibitors and water repellants are experienced when products are applied twice annually – spring and fall. This prepares the wood decking for the onslaught of excessive sunlight during summer months and extreme condition during winter months. Also, a liberal coating upon receipt of trailer will begin the process of limiting the affects of the environment.

Keep in mind that wood is a product of nature and, as such, will acclimate to its surrounding environment. Properly seasoned decking can change dimensions after installation given the right conditions. It is important to understand that excessive swings in environmental changes such as summer and winter will take their toll on decking. In addition, platforms setting dead lined or idle, are subject to a different environment than those in operation even if they in identical locations. Remember the old adage "an ounce of prevention is worth a pound of cure." If you have any questions or would like more information, please contact your local dealer or OHC at 800-999-7616.



## **LIQUID TENDER TRAILER LIMITED GENERAL WARRANTY**

This warranty applies to all dropdeck trailers manufactured by Demco. All goods manufactured by Demco shall be free from all defects in materials or workmanship under normal use and service, with loads not to exceed Manufacturer's rated capacity and speed. Applied only to the original owner, as evidenced by a completed warranty registration on file at Demco, for a period ending 12 months from the date of delivery.

**THE WARRANTY REGISTRATION MUST BE COMPLETED AND RETURNED TO DEMCO WITHIN 30 DAYS OF DELIVERY OF THE PRODUCT TO THE ORIGINAL OWNER OR ALL WARRANTIES WILL BE NULL AND VOID.**

All claims, for defective goods arising under this limited warranty, must be made in writing immediately upon discovery, but in no event, later than 12 months from the date of delivery to the original owner.

The limited warranty is the sole and exclusive warranty made or given by Demco in connection with the manufacture of sale of goods and is in lieu of all other warranties of any type or kind whatsoever, whether expressed or implied, written or oral. The provision hereof may not be modified, altered, or extended except in writing signed by an authorized representative of Demco.

- ◆ This warranty applies only to parts or components manufactured by Demco, which is defective in material or workmanship.
- ◆ This warranty does not cover normal maintenance, service or adjustments.
- ◆ This warranty does not cover depreciation or damage as a result of accident, negligent handling, inadequate maintenance, or improper operation.
- ◆ This warranty does not cover damage due to unauthorized modifications or repairs by purchaser prior to Demco inspection and approval.
- ◆ This warranty does not cover any purchased components such, as but not limited to; couplers, tires, axle assemblies, suspensions or any nonstandard feature or items specified by the purchaser.
- ◆ This warranty does not expand, enlarge upon, or alter in any way, the warranties provided by the manufacturers of purchased components.

In the event that a claim shall arise under this limited warranty, Demco may at its option repair the affected goods, replace the affected goods, or refund an equitable portion of the purchase price of the affected goods. The purchaser understands and agrees that, in the event of a defect in material or workmanship, the remedies are limited to repair or replacement, at Demco's option, such part or parts which examination shall disclose to manufacturer's satisfaction to have been defective.

All affected goods shall be held for inspection by Demco or its representatives and no claim hereunder shall be payable in connection with repairs made by purchaser prior to Demco's inspection or without Demco's prior consent.

No claim shall be payable under this limited warranty unless purchaser shall provide Demco with the following information in writing in a timely manner:



- ◆ VIN (Vehicle Identification Number) of affected goods.
- ◆ Number of days, weeks or months affected goods in service.
- ◆ Location of affected goods.
- ◆ Description and pictures of alleged defect.

In no event shall company be liable to purchaser for indirect, incidental or consequential damages or injuries including, but not limited to downtime, cost of labor or materials, loss of profits to purchaser's business or goodwill, resulting from breach of warranty hereunder and all damages resulting from defective goods, whether arising in tort, contract, or warranty except as specifically herein provided are waived by purchaser.

With respect to all other parts not manufactured by Demco, the respective manufacturers warranty will be assigned to the purchaser.

Axles Limited	5 years or 500,000 miles
Spring Suspension	limited 3 years
Air Ride Suspension	limited 3 years
Landing Legs	limited 2 years
Anti-Lock Braking System	limited 3 years or 300,000 miles
Lights	limited 1 years
Valves	limited 6 months

Tire Warranty can be found in the manifest holder on the driver side, under the front deck.

There are no warranties for used products or products that have been repaired, altered, modified, overlooked, subjected to misuse, negligence, accident or ordinary wear and tear.

**Operator is required to check wheel nuts, U-Bolts, radius rod bolts, and all other fasteners. Axle alignment, tire wear, tarp wear, and oil level in hubs must be inspected.** If needed, operator should make proper adjustments to insure full life of equipment. **These item's need to be checked the first 100 miles and again at 500 miles and periodically thereafter.** These inspections and adjustments are very important and must be performed.

State and Federal Laws require a daily inspection of this vehicle by the operator.

Demco, products are sold without any express warranty except as set forth by this warranty.

This warranty is effective June 1, 2007 and supersedes all previous Demco, warranty policies.

**THIS PAGE INTENTIONALLY LEFT BLANK**



Cut along dotted line

# DEMCO

## LIQUID TENDER TRAILER LIMITED WARRANTY REGISTRATION

Your new Liquid Tender Trailer is covered by a limited warranty.  
To initiate the warranty this form **MUST** be completed and returned to  
Demco within **30 days** of delivery.

**PLEASE PRINT OR TYPE**

Owner's Name	Vehicle Identification Number
PO Box / Street Address	Trailer Description
City, State, Zip	Dealership Name
Telephone Number	City, State, Zip
Date of Purchase	Telephone Number
Intended Use: <input type="checkbox"/> Rental <input type="checkbox"/> Personal <input type="checkbox"/> Farm/Ranch <input type="checkbox"/> Commercial <input type="checkbox"/> Government	Dealer Representative
<p>The Operator's Manual has been given to me and explained. I have read and fully understand the safe operation and the proper servicing and maintenance of the above trailer and the terms of the limited warranty shown inside the manual.</p> <p>Purchaser's Signature: _____ Date: _____</p>	
<p>Pre-Delivery Service: This trailer was carefully prepared for delivery, inspected and adjusted according to factory recommendations before delivery to the retail purchaser.</p> <p>Delivery Service: The limited warranty was explained and a copy was presented to the retail purchaser along with the Operator's Manual.</p> <p>Dealer Representative Signature: _____</p>	

**Please mail to the following:**

**DEMCO  
4010 320th street  
BOYDEN, IA 51234**



Cut along dotted line

**THIS PAGE INTENTIONALLY LEFT BLANK**



# **DEMCO**

4010 320th St., Boyden, IA. 51234

Phone: (712) 725-2311

Fax: (712) 725-2380

Toll Free: 1-800-54DEMCO (1-800-543-3626)

**Demco warranty policies, operator manuals, and product registration  
can be found online:**

**[www.demco-products.com](http://www.demco-products.com)**

