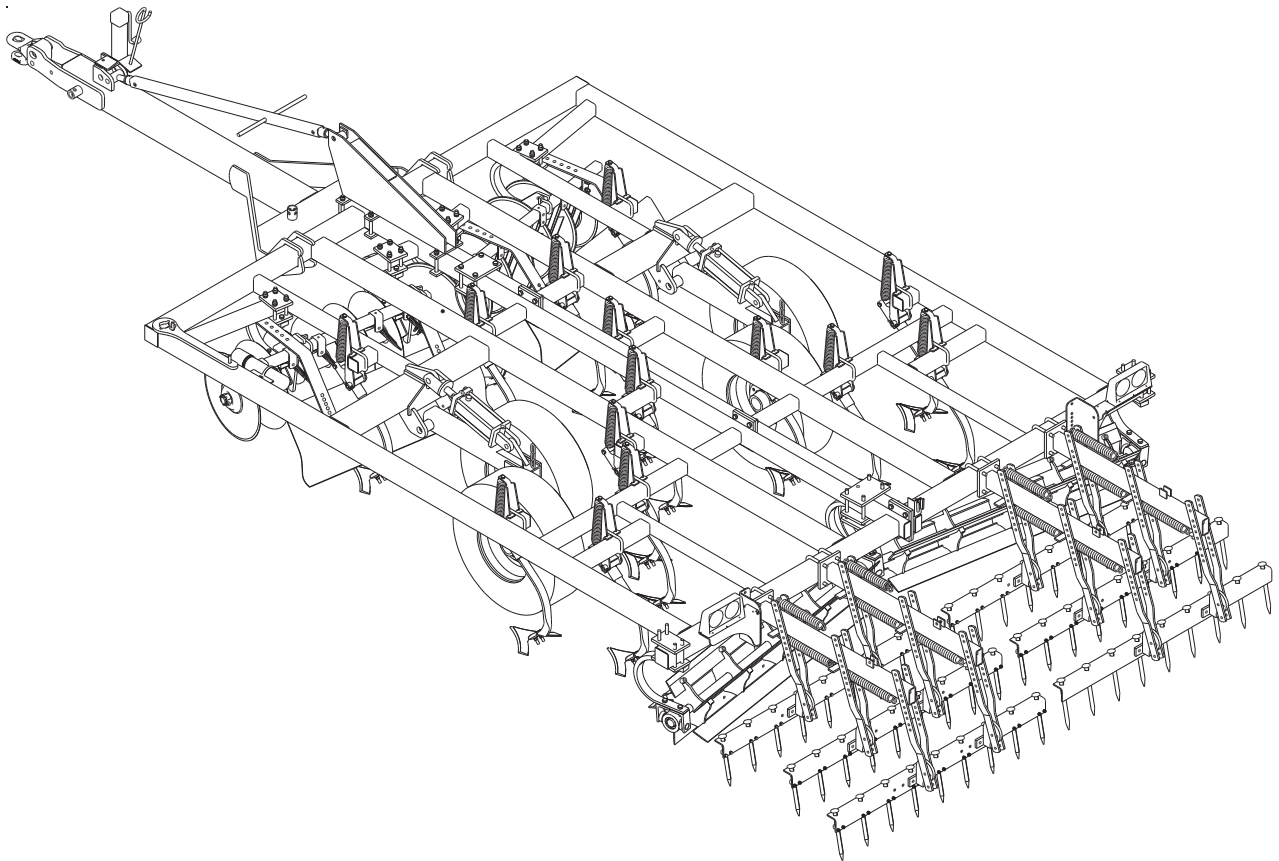




**Model 875  
Tilloll  
Parts Manual**



**LANDOLL COMPANY, LLC**

1900 North Street

Marysville, Kansas 66508

(785) 562-5381

800-428-5655 ~ [WWW.LANDOLL.COM](http://WWW.LANDOLL.COM)

---

## Manuals for the 875 Tilloll

MANUAL NUMBER	MANUAL NAME
F-60	875 Operator's Manual
F-249	875 Parts Manual

# Table of Contents

---

## 1 Instructions for Ordering Parts

## 2 50 Illustrated Parts List

GENERAL ASSEMBLY .....	2-1
RIGID FRAME ASSEMBLY (875-10, 875-13, 875-15) .....	2-3
FRAME AND WING ASSEMBLY (875-15F) .....	2-5
FRAME AND WING ASSEMBLY (875-18, 875-21, 875-25) .....	2-7
GAUGE WHEEL ASSEMBLY (ALL MODELS EXCEPT 875-15F) .....	2-10
GAUGE WHEEL ASSEMBLY (875-15F) .....	2-14
HITCH AND RADIUS ROD ASSEMBLY, SMALL (875-10, 875-13, 875-15) .....	2-17
HITCH AND RADIUS ROD ASSEMBLY (875-15F) .....	2-19
HITCH AND RADIUS ROD ASSEMBLY, LARGE (875-18, 875-21, 875-25) .....	2-21
SHANK, CLAMP AND SWEEP ASSEMBLY (Before 9-1-2020) .....	2-23
SPRING SHANK ASSEMBLY (After 9-1-2020) .....	2-25
REEL ASSEMBLY .....	2-28
DISC AND SPRAY SHIELD ASSEMBLY .....	2-32
HARROW ASSEMBLY .....	2-35
ELECTRICAL ASSEMBLY .....	2-37
HYDRAULIC LIFT ASSEMBLY (875-10, 875-13, 875-15) .....	2-38
HYDRAULIC LIFT ASSEMBLY (875-15F) .....	2-39
HYDRAULIC LIFT ASSEMBLY (875-18, 875-21, 875-25) .....	2-41
HYDRAULIC FOLD ASSEMBLY (875-15F) .....	2-43
HYDRAULIC FOLD ASSEMBLY 875-18 .....	2-45
HYDRAULIC FOLD ASSEMBLY 875-21 .....	2-47
HYDRAULIC FOLD ASSEMBLY 875-25 .....	2-49
Cylinder - Rephase Assembly 4" X 8" (1-3/8" Rod) .....	2-50
Cylinder - Rephase Assembly 3-3/4" X 8" .....	2-51
Cylinder Assembly 4" X 8" (1-3/4" Rod) .....	2-52
Cylinder Assembly 3-1/2" X 8" .....	2-53
Cylinder Assembly 3-1/2" X 16" .....	2-54
DECAL INSTALLATION .....	2-57

---

### **3 Numerical Index**

## Instructions for Ordering Parts

### ORDER PARTS FROM LANDOLL PARTS DISTRIBUTION CENTER

**\*\* Repair parts must be ordered through an Authorized Dealer \*\***

PHONE NO.: 1-800-423-4320 OR 1-800-428-5655 OR 1-785-562-5381

FAX NO.: 888-527-3909

ORDER ONLINE: [companystore.landoll.com](http://companystore.landoll.com)

### IDENTIFICATION PLATE

The identification plate, which lists the model number and serial number, is located on the left side of the hitch (See Figure 1-1.)

### SERIAL NUMBER NOMENCLATURE

The serial number for the 875 Tilloll is located on the identification plate.

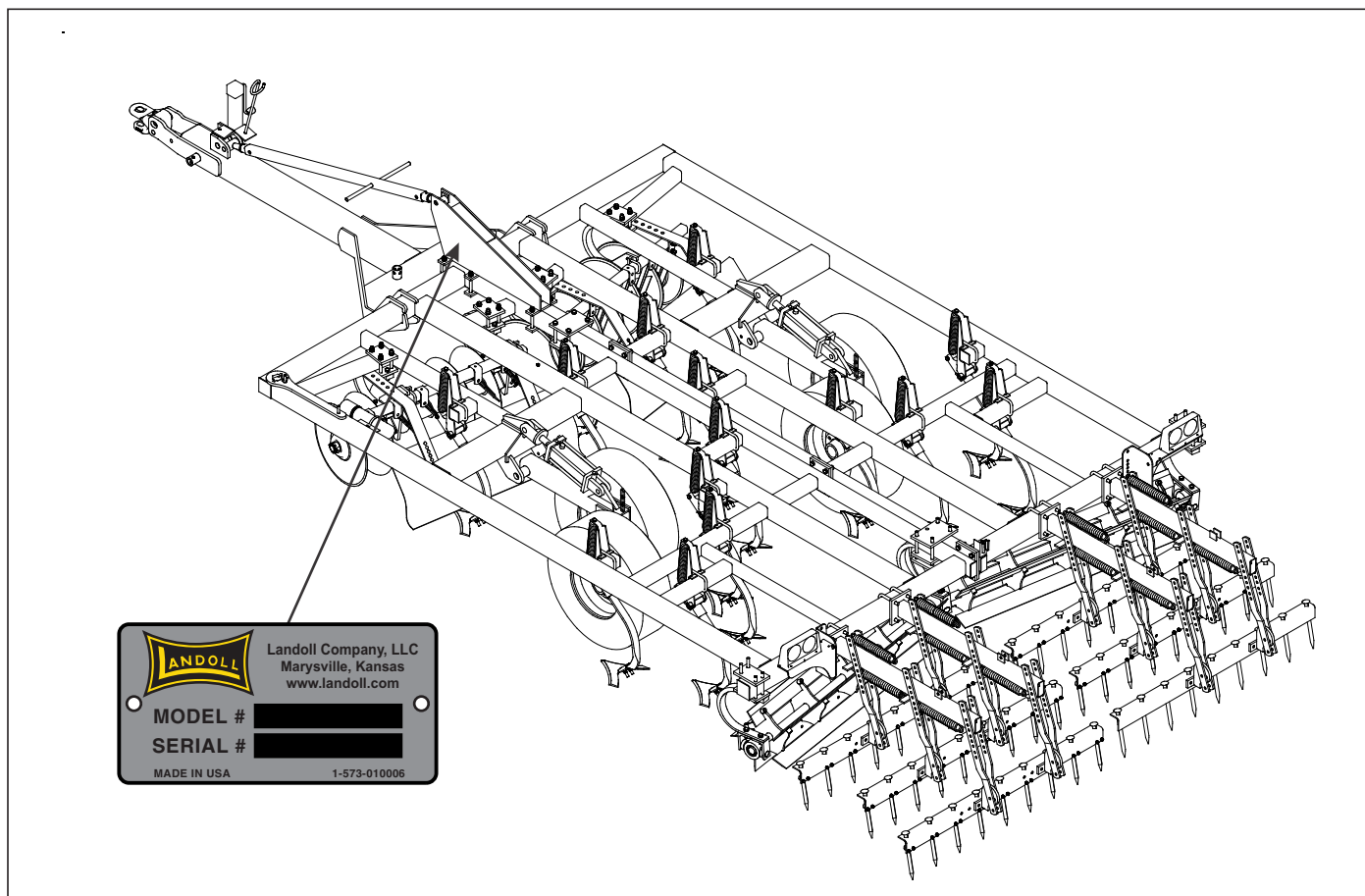


Figure 1-1: Identification Plate and Location

Page Intentionally Blank

# 50 Illustrated Parts List

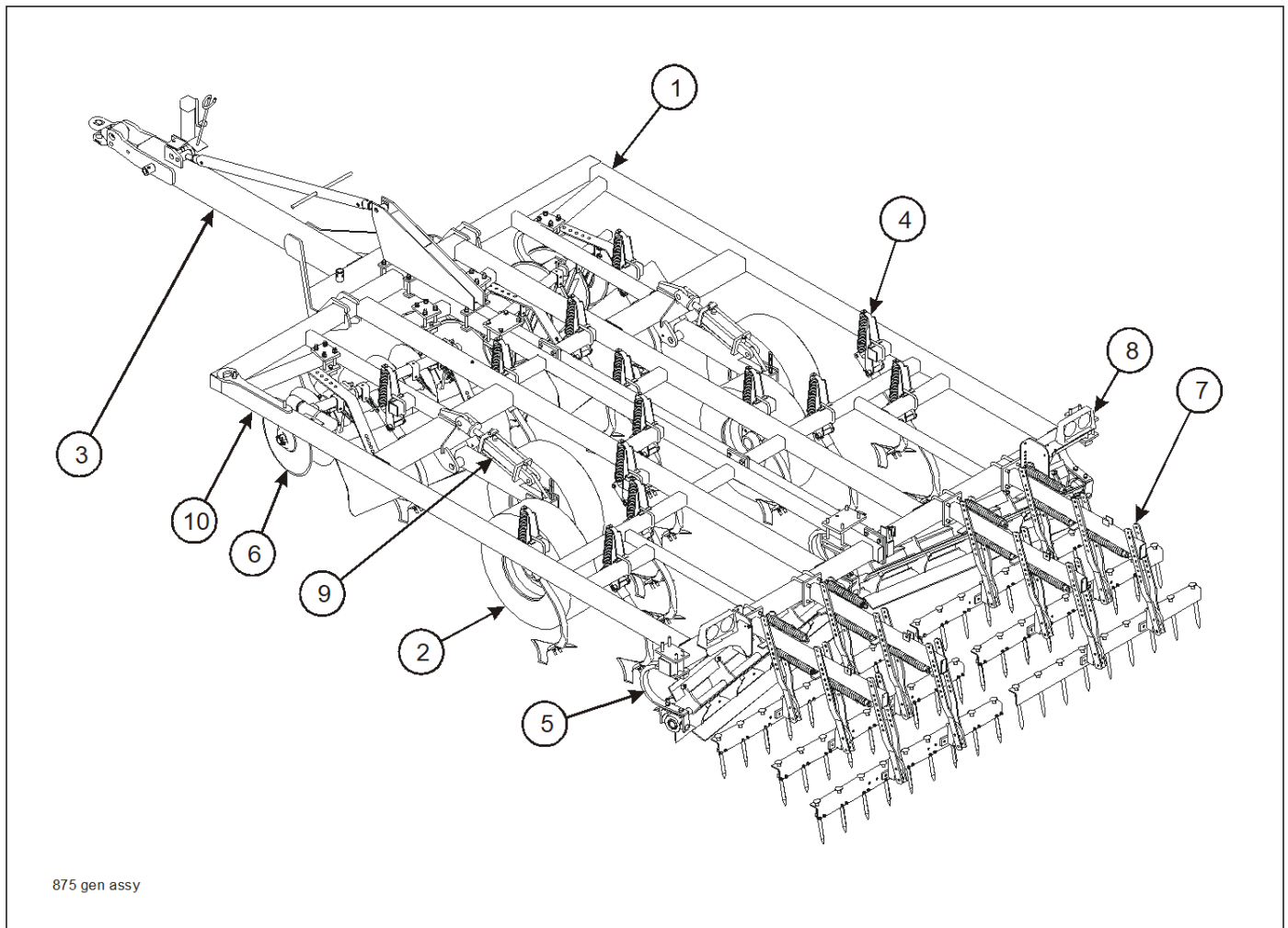


Figure 2-1: General Assembly

## GENERAL ASSEMBLY

ITEM	PAGE NO.	DESCRIPTION	QTY.
1	2-2 - 2-7	FRAME AND WING ASSEMBLIES	
2	2-8 - 2-14	GAUGE WHEEL ASSEMBLIES	
3	2-16 - 2-21	HITCH ASSEMBLY	
4	2-22 - 2-25	SHANK, CLAMP, AND SWEEP ASSEMBLY	
5	2-26 - 2-28	REEL ASSEMBLY	
6	2-30 - 2-32	DISC AND SPRAY SHIELD ASSEMBLY	
7	2-34 - 2-35	HARROW ASSEMBLY	
8	2-36 - 2-37	ELECTRICAL ASSEMBLY	
9	2-38 - 2-54	HYDRAULIC ASSEMBLIES	
10	2-55 - 2-57	DECAL INSTALLATION	

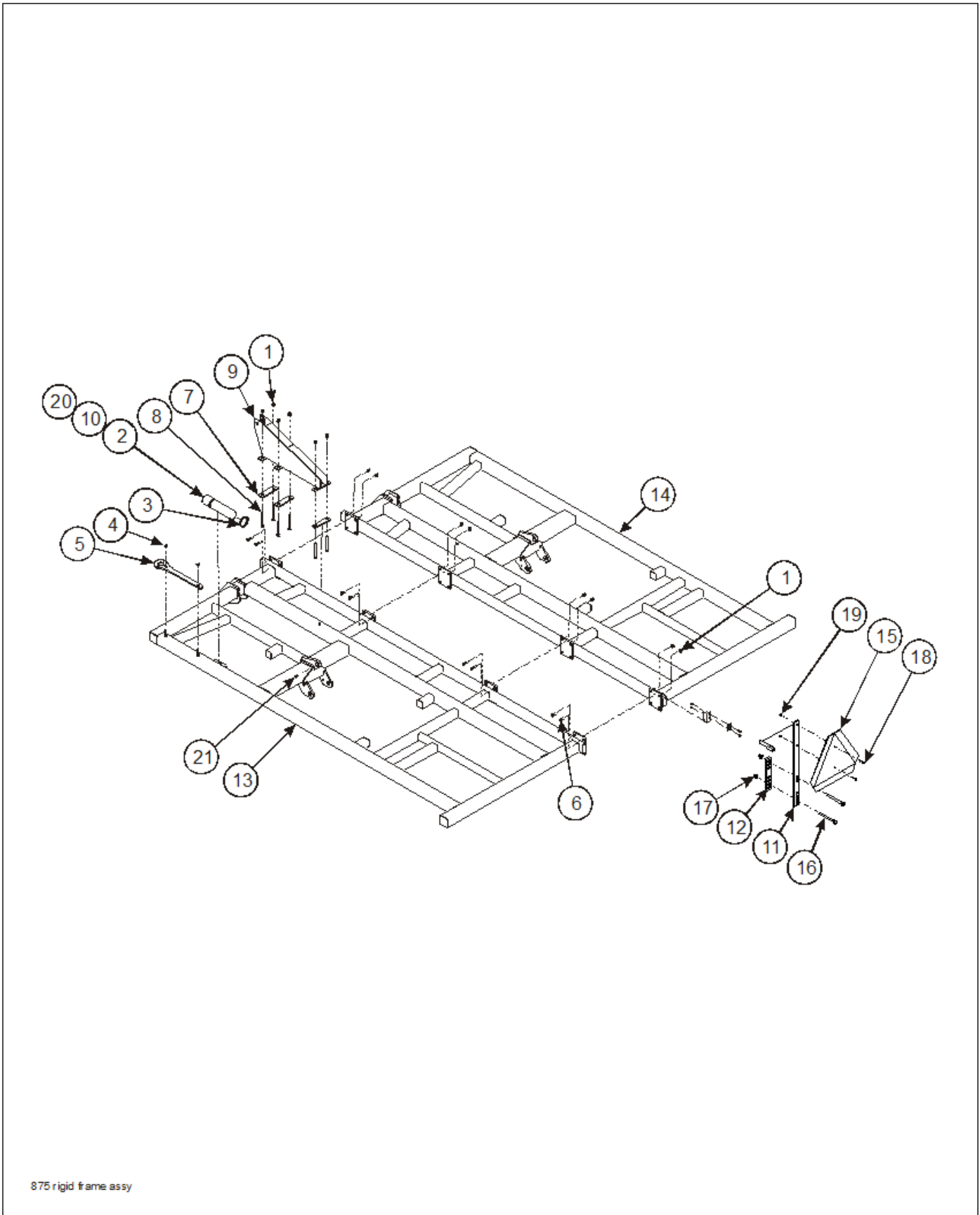


Figure 2-2: Frame Assembly (875-10, 875-13, 875-15)



**RIGID FRAME ASSEMBLY (875-10, 875-13, 875-15)**

ITEM	PART NO.	DESCRIPTION	QTY.
1	1-512-010005-13	NUT, HEX LOCK 5/8-11 GRB	
2	1-116-010019	BOX, MANUAL STORAGE	
3	105-0093	HOSE CLAMP 4-1/2	
4	1-533-010001	NUT, WING	
5	2-217-010033	WRENCH, COULTER GANG NUT	
6	1-654-010059-05	SCREW, HEX HEAD CAP 5/8-11 X 2 GR5	
7	100695	COULTER SUPPORT BAR PAINTED	
8	1-654-010059-17	SCREW, HEX HEAD CAP 5/8-11 X 6 GR5	
9	8-311-011315	MAST ASSEMBLY	
10	F-60	MANUAL, 875 SERIES OPERATOR'S	
11	108830	BRACKET, MOUNTING SMV	
12	2-054-010461	BAR, WARNING LIGHTS	
13	8-311-011126	FRAME 10'-6" LEFT HALF <b>(875-10)</b>	
13	8-311-011119	FRAME 13'-6" LEFT HALF <b>(875-13)</b>	
13	8-311-011121	FRAME 15'-6" LEFT HALF <b>(875-15)</b>	
14	8-311-011127	FRAME 10'-6" RIGHT HALF <b>(875-10)</b>	
14	8-311-011120	FRAME 13'-6" RIGHT HALF <b>(875-13)</b>	
14	8-311-011122	FRAME 15'-6" RIGHT HALF <b>(875-15)</b>	
15	70260977	SMV EMBLEM	
16	1-654-010055-16	SCREW, HEX HEAD CAP 1/2-13 X 5-1/2 GR5	
17	1-512-010005-09	NUT, HEX LOCK 1/2-13	
18	1-654-010047-06	SCREW, HEX HEAD CAP 1/4-20 X 1 GR5	
19	1-512-010005-01	NUT, HEX LOCK 1/4-20	
20	F-249	MANUAL, 875 SERIES PARTS LIST	
21	2-150-010008	BUSHING, STEEL 1-1/4 OD X 1 ID X 1	

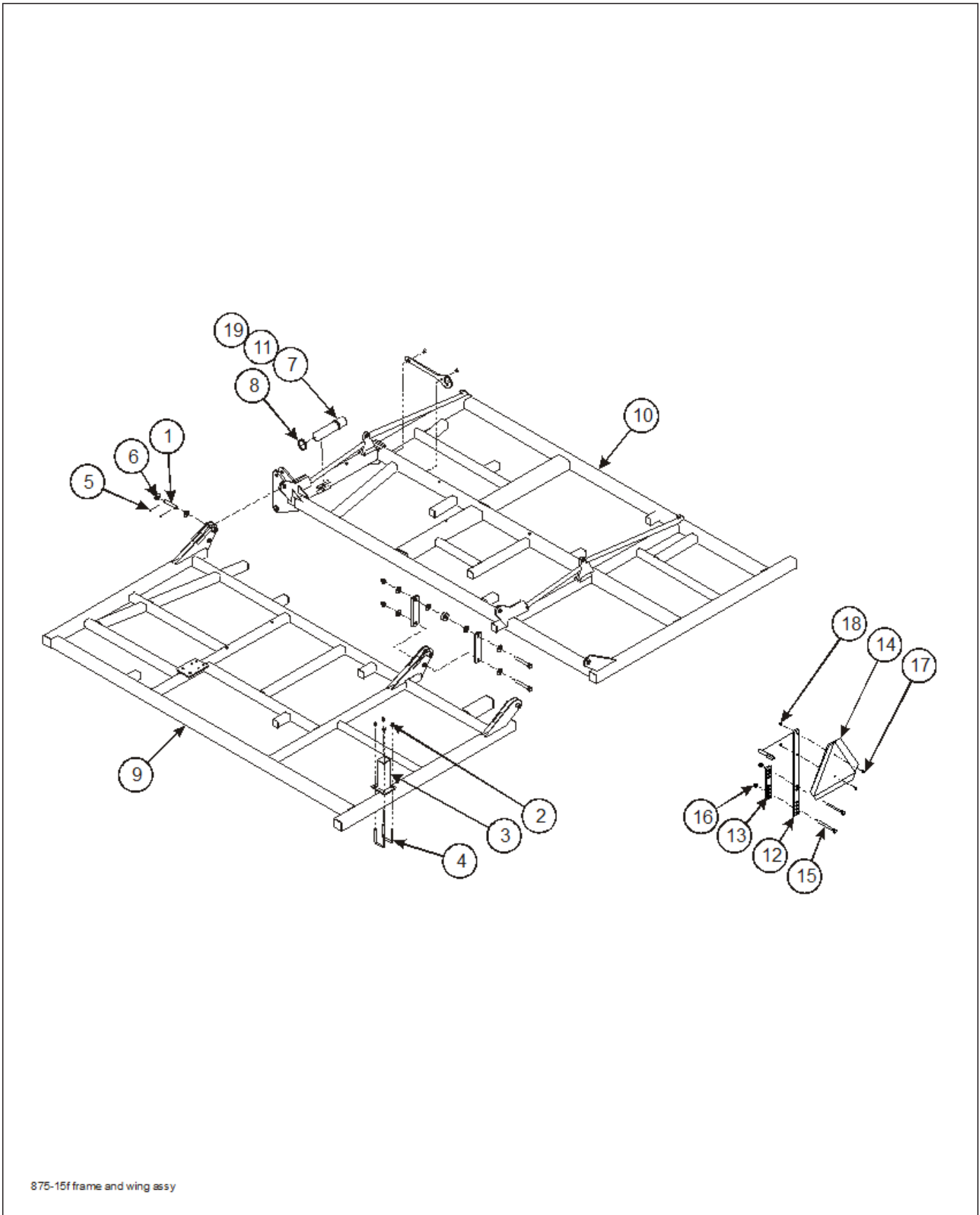


Figure 2-3: Frame and Wing Assembly (875-15F)

**FRAME AND WING ASSEMBLY (875-15F)**

ITEM	PART NO.	DESCRIPTION	QTY.
1	2-557-010006	PIN, RADIUS ROD	
2	1-512-010005-13	NUT, HEX LOCK 5/8-11 GRB	
3	8-276-010334	FLAT WING SUPPORT	
4	6-102-010009	U-BOLT	
5	1-557-010362-63	PIN, COTTER 1/4 X 2	
6	1-861-010032-25	WASHER, FLAT 1	
7	1-116-010019	BOX, MANUAL STORAGE	
8	105-0093	HOSE CLAMP 4-1/2	
9	8-276-010404	WING, FOLDING	
10	8-311-012256	MAIN FRAME FOLDING	
11	F-60	MANUAL, 875 SERIES OPERATOR'S	
12	108830	BRACKET, MOUNTING SMV	
13	2-054-010461	BAR, WARNING LIGHTS	
14	70260977	SMV EMBLEM	
15	1-654-010055-16	SCREW, HEX HEAD CAP 1/2-13 X 5-1/2 GR5	
16	1-512-010005-09	NUT, HEX LOCK 1/2-13	
17	1-654-010047-06	SCREW, HEX HEAD CAP 1/4-20 X 1 GR5	
18	1-512-010005-01	NUT, HEX LOCK 1/4-20	
19	F-249	MANUAL, 875 SERIES PARTS LIST	

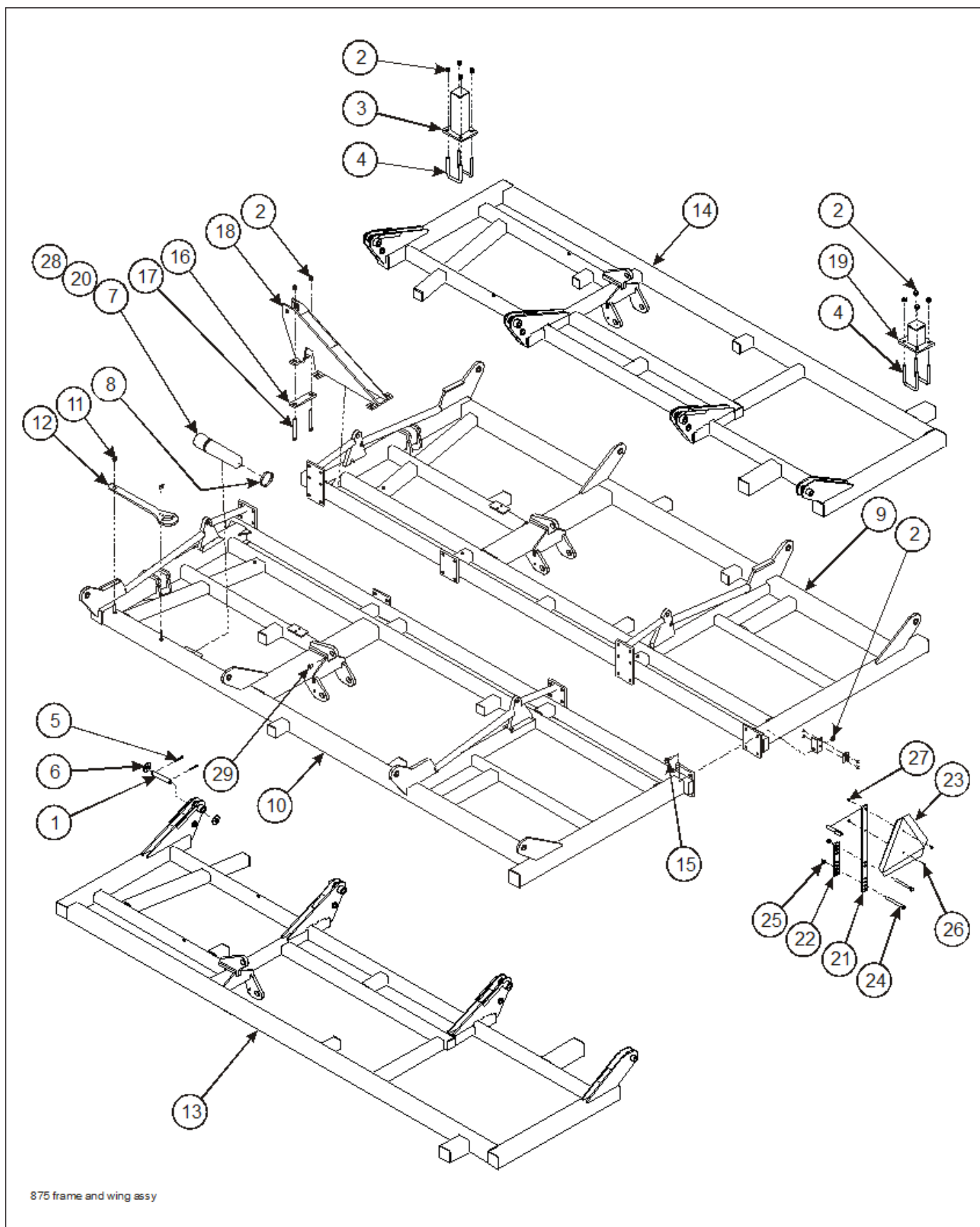
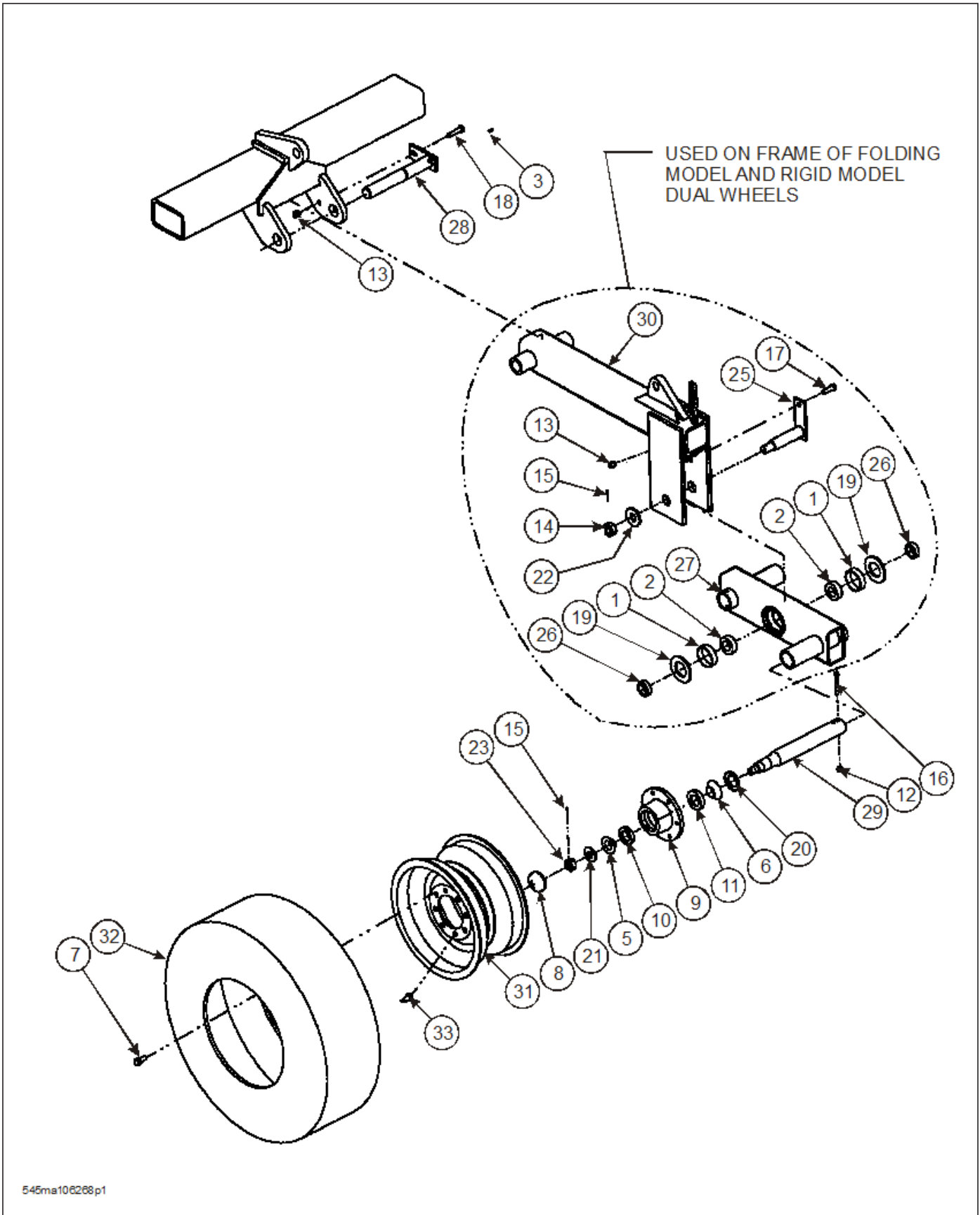


Figure 2-4: Frame and Wing Assembly (875-18, 875-21, 875-25)

**FRAME AND WING ASSEMBLY (875-18, 875-21, 875-25)**

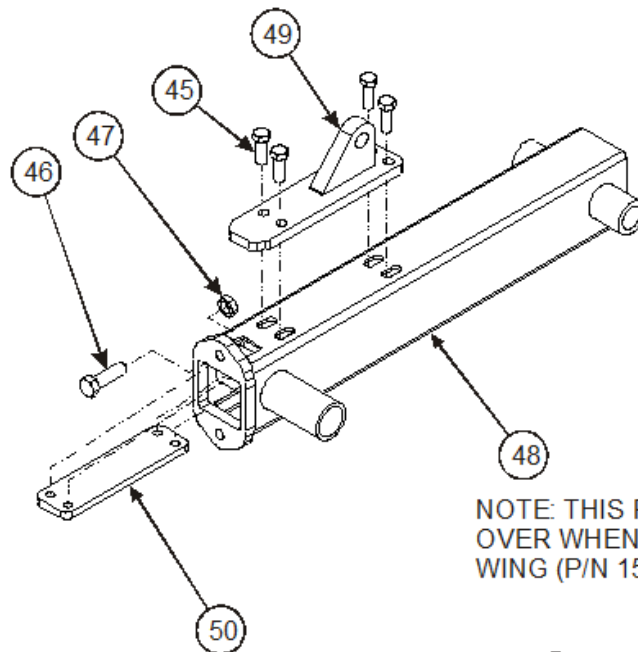
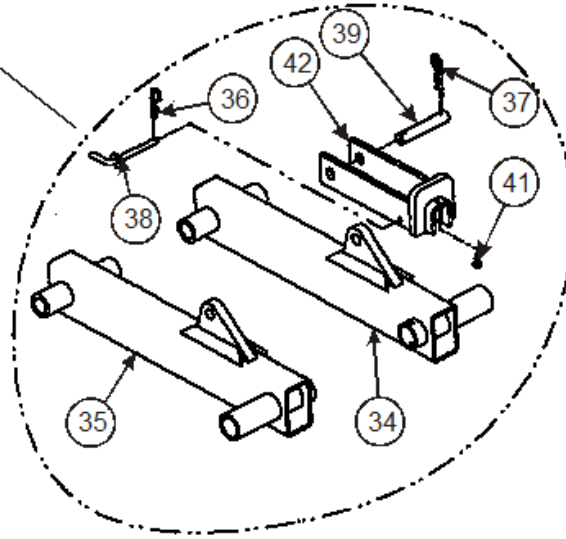
ITEM	PART NO.	DESCRIPTION	QTY.
1	2-557-010006	PIN, RADIUS ROD	
2	1-512-010005-13	NUT, HEX LOCK 5/8-11 GRB	
3	8-276-010334	FLAT WING SUPPORT	
4	6-102-010009	U-BOLT	
5	1-557-010362-63	PIN, COTTER 1/4 X 2	
6	1-861-010032-25	WASHER, FLAT 1	
7	1-116-010019	BOX, MANUAL STORAGE	
8	105-0093	HOSE CLAMP 4-1/2	
9	8-311-011328	MAIN FRAME RIGHT HALF <b>(875-18)</b>	
9	8-311-011138	MAIN FRAME RIGHT HALF <b>(875-21)</b>	
9	8-311-011148	MAIN FRAME RIGHT HALF <b>(875-25)</b>	
10	8-311-011329	MAIN FRAME LEFT HALF <b>(875-18)</b>	
10	8-311-011139	MAIN FRAME LEFT HALF <b>(875-21)</b>	
10	8-311-011149	MAIN FRAME LEFT HALF <b>(875-25)</b>	
11	1-533-010001	NUT, WING	
12	2-217-010033	WRENCH, COULTER GANG NUT	
13	8-276-010329	LEFT WING 4' <b>(875-18)</b>	
13	8-276-010279	LEFT WING 5' <b>(875-21)</b>	
13	8-276-010281	LEFT WING 5'-6" <b>(875-25)</b>	
14	8-276-010330	RIGHT WING 4' <b>(875-18)</b>	
14	8-276-010280	RIGHT WING 5' <b>(875-21)</b>	
14	8-276-010282	RIGHT WING 5'-6" <b>(875-25)</b>	
15	1-654-010059-05	SCREW, HEX HEAD CAP 5/8-11 X 2 GR5	
16	100695	COULTER SUPPORT BAR PAINTED	
17	1-654-010059-17	SCREW, HEX HEAD CAP 5/8-11 X 6 GR5	
18	8-311-011103	MAST ASSEMBLY WING TILLOLL	
19	2-276-010240	SUPPORT SHORT WING <b>(875-21 &amp; 875-25)</b>	
20	F-60	MANUAL, 875 SERIES OPERATOR'S	
21	108830	BRACKET, MOUNTING SMV	
22	2-054-010461	BAR, WARNING LIGHTS	
23	70260977	SMV EMBLEM	
24	1-654-010055-16	SCREW, HEX HEAD CAP 1/2-13 X 5-1/2 GR5	
25	1-512-010005-09	NUT, HEX LOCK 1/2-13	
26	1-654-010047-06	SCREW, HEX HEAD CAP 1/4-20 X 1 GR5	
27	1-512-010005-01	NUT, HEX LOCK 1/4-20	
28	F-249	MANUAL, 875 SERIES PARTS LIST	
29	2-150-010008	BUSHING, STEEL 1-1/4 OD X 1 ID X 1	



545ma106268p1

Figure 2-5: Gauge Wheel Assembly (All Models Except 15F)

USED ON  
RIGID MODEL SINGLE  
WHEEL



NOTE: THIS PART FLIPPED  
OVER WHEN USED ON LEFT  
WING (P/N 156857)

RH SINGLE ADJ ARM ASSEMBLY (43)

USED ON WINGS OF FOLD MODELS

545ma106268p2

Figure 2-6: Gauge Wheel Assembly (All Models Except 15F)

**GAUGE WHEEL ASSEMBLY (ALL MODELS EXCEPT 875-15F)**

ITEM	PART NO.	DESCRIPTION	QTY.
1	1-076-010003	CONE, OUTER	
2	1-076-010004	CUP, OUTER	
3	1-298-010001-1	FITTING ZERK 1/4	
4	1-406-010010	HUB ASSEMBLY 6 BOLT <b>(INCL ITEMS 5-9)</b>	
5	1-076-010007	OUTER BEARING CONE	
6	1-076-010009	INNER BEARING CONE	
7	1-104-010002	BOLT LUG	
8	1-161-010003	DUST CAP	
9	1-406-010012	HUB W/ CUPS 6 BOLT <b>(INCL ITEMS 10-11)</b>	
10	1-076-010010	CUP, OUTER BEARING	
11	1-076-010012	CUP, INNER BEARING	
12	1-512-010005-05	NUT HEX LOCK 3/8-16 <b>(875-10, 875-13, 875-15)</b>	
12	1/8X1-1/2	COTTER PIN 1/8 X 1-1/2 <b>(875-18, 875-21, 875-25)</b>	
13	1-512-010005-09	NUT HEX LOCK 1/2-13	
14	1-516-010001-20	NUT HEX SLOTTED 1-14	
15	1-557-010362-40	PIN COTTER 5/32 X 1-1/4	
16	1-654-010051-13	SCREW HEX HEAD CAP 3/8-16 X 3 GR5 <b>(875-10, 875-13, 875-15)</b>	
16	157597	PIN, CLEVIS 3/8 X 3 <b>(875-18, 875-21, 875-25)</b>	
17	1-654-010055-03	SCREW HEX HEAD CAP 1/2-13 X 1-1/2 GR5	
18	1-654-010055-05	SCREW HEX HEAD CAP 1/2-13 X 2 GR5	
19	1-659-010001	SEAL GREASE	
20	1-659-010004	GREASE SEAL 1-5/8	
21	1-861-010004	WASHER SPINDLE 7/8	
22	1-861-010005	WASHER SPINDLE 1"	
23	100966	NUT HEX SLOTTED 7/8-14	
25	2-326-010190	PIVOT SPINDLE	
26	2-326-010191	SPACER, BUSHING	
27	2-326-010226	GAUGE WHEEL, WALKING BEAM RH	
27	2-326-010267	GAUGE WHEEL, WALKING BEAM LH	
28	2-557-010105	PIN PIVOT	
29	2-717-010050	SPINDLE 2"	
30	8-326-010246	GAUGE WHEEL ARM WELDMENT <b>(875-10, 875-13 DUAL, 875-15, 875-18, 875-21, 875-25)</b>	
31	2-870-010006	WHEEL 15 X 8 X 6 BOLT	
32	11L-15-10PLY	TIRE FARM UTILITY TUBELESS <b>(875-10, 875-13, 875-15)</b>	
32	2-798-010112	TIRE, 11L-15 LOAD RANGE F <b>(875-18, 875-21, 875-25)</b>	
33	415	VALVE STEM	
34	8-326-010264	GAUGE WHEEL ARM RT <b>(875-10, 875-13 SINGLE)</b>	
35	8-326-010265	GAUGE WHEEL ARM LT <b>(875-10, 875-13 SINGLE)</b>	
36	1-557-010013	PIN, HAIR 3/16	
37	1-557-010014	PIN, HAIR 1/4	
38	2-557-010053	PIN, LOCKOUT	
39	2-557-010054	PIN, EXTENDED CYLINDER	
40	8-459-010024	LOCKOUT, CYLINDER <b>(NOT SHOWN) (INCL 41-42)</b>	
41	8-146-010004	BUMPER, RUBBER	
42	8-459-010025	LOCKOUT, CYLINDER WELDMENT	
43	156856	SINGLE ADJ ARM ASSEMBLY, RH <b>(875-18, 875-21, 875-25 WINGS)</b> <b>(INCL ITEMS 45 - 50)</b>	



**GAUGE WHEEL ASSEMBLY (ALL MODELS EXCEPT 875-15F)**

ITEM	PART NO.	DESCRIPTION	QTY.
44	156857	SINGLE ADJ ARM ASSEMBLY, LH (875-18, 875-21, 875-25 WINGS) (INCL ITEMS 45 - 50) (NOT SHOWN)	
45	1-654-010059-04	SCREW, HEX HEAD CAP 5/8-11 X 1-3/4 GR5	
46	1-654-010061-07	SCREW, HEX HEAD CAP 3/4-10 X 2-1/2 GR5	
47	119083	NUT, HEX JAM 3/4-10 GRB	
48	156420	GAUGE WHEEL ARM WELDMENT	
49	156423	CYLINDER ANCHOR WELDMENT	
50	156425	PLATE, CLAMP ANCHOR	

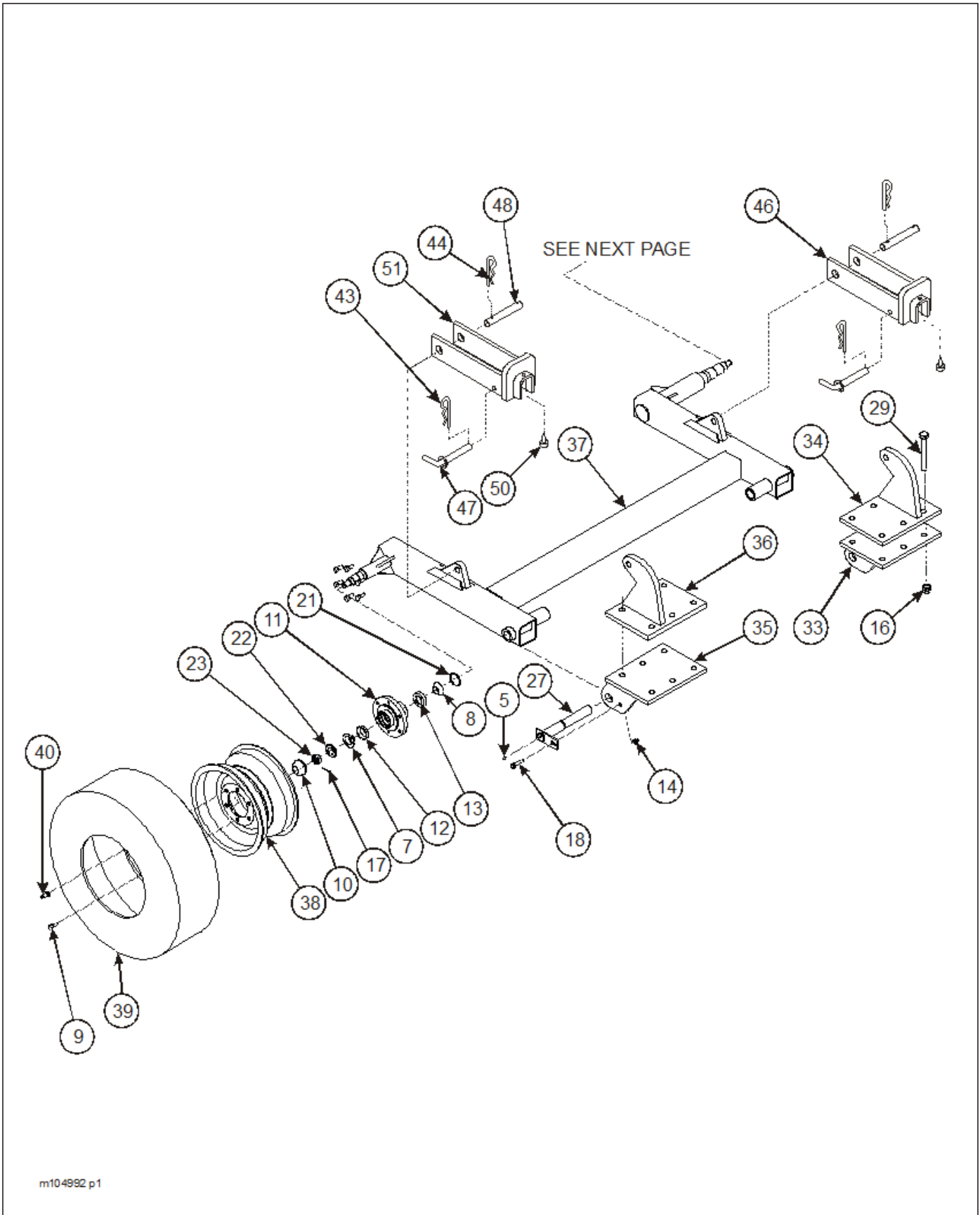
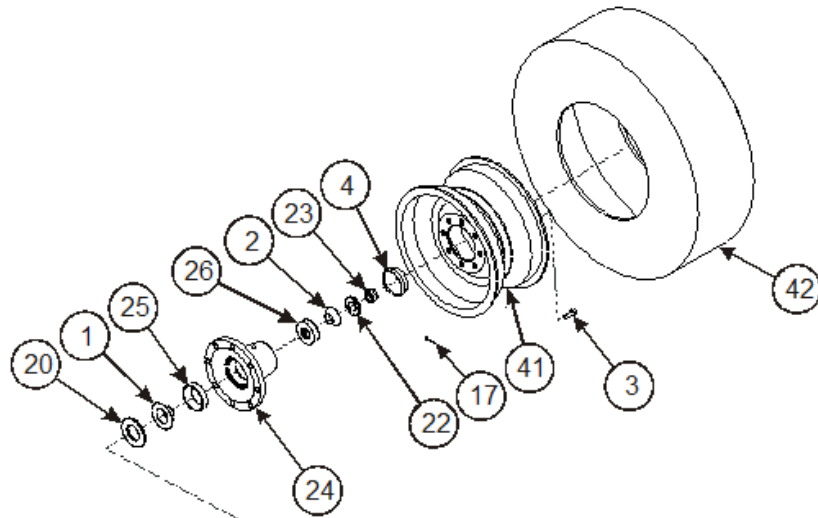
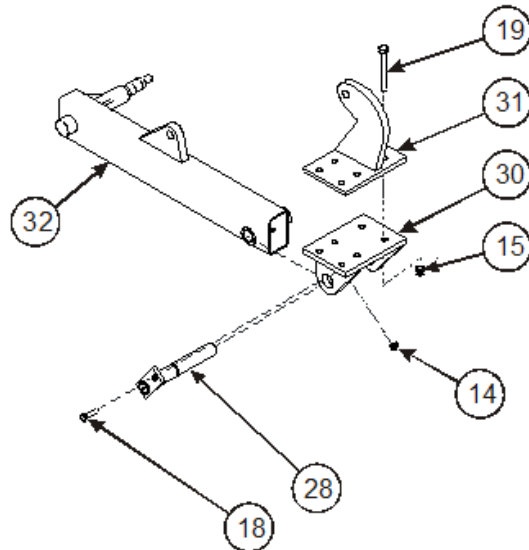


Figure 2-7: Gauge Wheel Assembly, Model 15F (1 of 2)



SEE PREVIOUS PAGE



m104982 p2

Figure 2-8: Gauge Wheel Assembly, Model 15F (2 of 2)

## GAUGE WHEEL ASSEMBLY (875-15F)

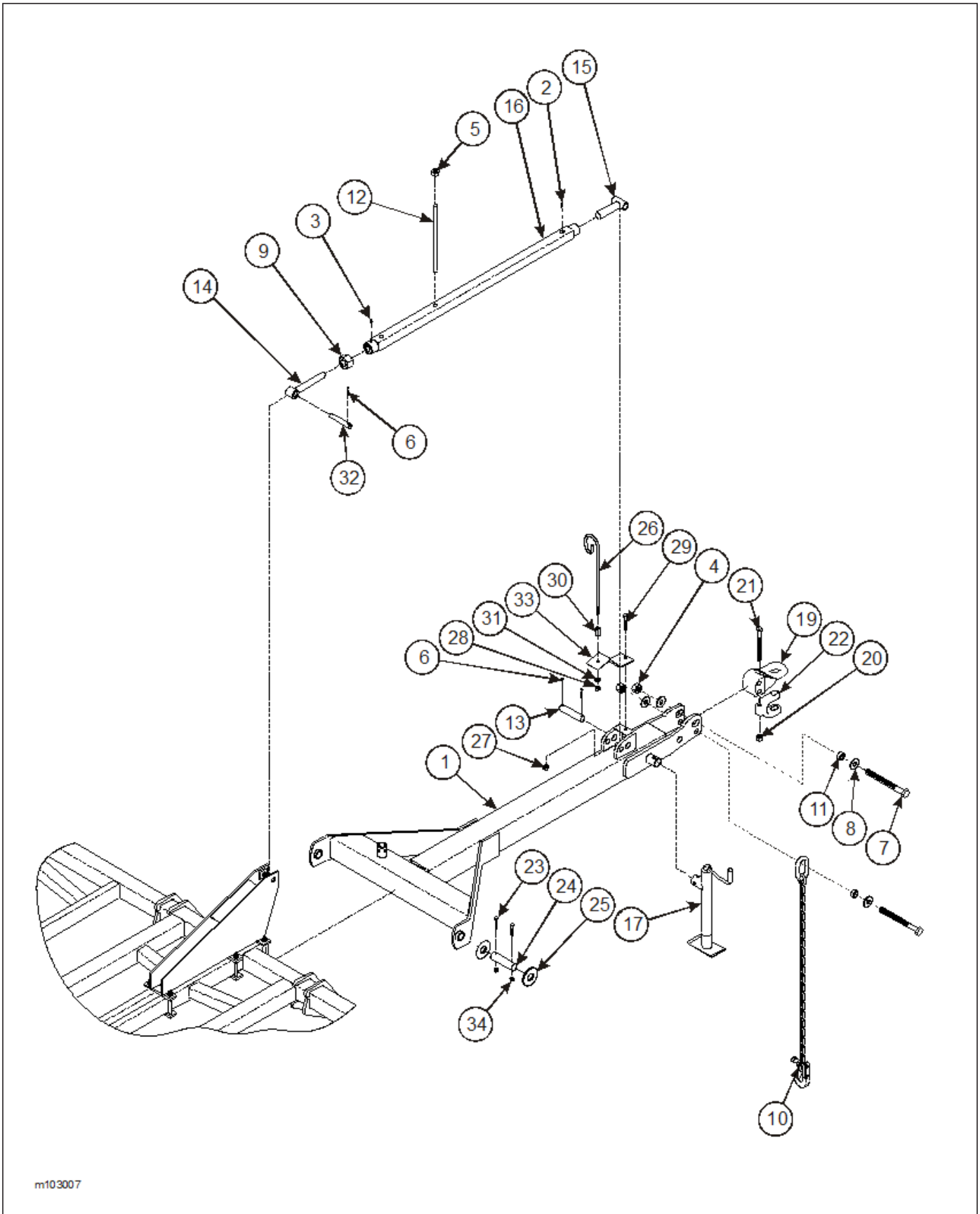
ITEM	PART NO.	DESCRIPTION	QTY.
1	1-076-010001	CONE	
2	1-076-010003	CONE OUTER	
3	1-104-010001	WHEEL, BOLT	
4	1-161-010002	CAP, 8 BOLT HUB	
5	1-298-010001-1	ZERK FITTING 1/4	
6	1-406-010010	HUB ASSEMBLY 6 BOLT <b>(NOT SHOWN) (INCL ITEMS 7-11)</b>	
7	1-076-010007	OUTER BEARING CONE	
8	1-076-010009	INNER BEARING CONE	
9	1-104-010002	BOLT LUG	
10	1-161-010003	DUST CAP	
11	1-406-010012	HUB W/ CUPS 6 BOLT <b>(INCL ITEMS 12-13)</b>	
12	1-076-010010	CUP, OUTER BEARING	
13	1-076-010012	CUP, INNER BEARING	
14	1-512-010005-09	NUT HEX LOCK 1/2-13 GRB	
15	1-512-010005-13	NUT HEX LOCK 5/8-11 GRB	
16	1-512-010005-17	NUT HEX LOCK 7/8-9 GRB	
17	1-557-010362-40	PIN COTTER 5/32 X 1-1/4	
18	1-654-010055-05	SCREW HEX HEAD CAP 1/2-13 X 2 GR5	
19	1-654-010059-16	SCREW HEX HEAD CAP 5/8-11 X 5-1/2 GR5	
20	1-659-010001	SEAL GREASE	
21	1-659-010004	GREASE SEAL 1-5/8	
22	1-861-010004	WASHER SPINDLE 7/8	
23	100966	NUT HEX SLOTTED 7/8-14	
24	2-406-010004	HUB, 8 BOLT ELECT <b>(NOT SHOWN) (INCL ITEMS 25-26)</b>	
25	1-076-010002	CUP	
26	1-076-010004	CUP OUTER	
27	2-557-010105	PIN PIVOT	
28	6-557-010036	PIN PIVOT	
29	7/8-9X6-1/2HHCS	SCREW HEX HEAD CAP 7/8-9 X 6-1/2	
30	8-326-010089	ANCHOR RIGHT GAUGE WHEEL	
31	8-326-010142	ANCHOR RIGHT CYLINDER	
32	8-326-010145	GAUGE WHEEL ARM WING LEFT	
33	8-326-010164	ANCHOR LEFT GAUGE WHEEL	
34	8-326-010165	ANCHOR LEFT CYLINDER	
35	8-326-010166	ANCHOR RIGHT GAUGE WHEEL	
36	8-326-010167	ANCHOR RIGHT CYLINDER	
37	8-326-010201	MAIN FRAME ROCKSHAFT	
38	2-870-010006	WHEEL 15X8X6 BOLT	
39	11L-15-10PLY	TIRE FARM UTILITY TUBELESS	
40	415	VALVE STEM	
41	2-870-010010	WHEEL 15X8X8 BOLT	
42	11L-15 12PLY	TIRE TUBELESS	
43	1-557-010013	PIN, HAIR 3/16	
44	1-557-010014	PIN, HAIR 1/4	
45	2-459-010032	LOCKOUT ASSEMBLY, CYL 4 X 10 X 1-3/4 <b>(NOT SHOWN) (INCL 46 AND 50)</b>	
46	2-459-010031	LOCKOUT WELDMENT, CYL 4 X 10 X 1-3/4	
47	2-557-010053	PIN, LOCKOUT	
48	2-557-010054	PIN, EXTENDED CYLINDER	

---

**GAUGE WHEEL ASSEMBLY (875-15F)**

---

ITEM	PART NO.	DESCRIPTION	QTY.
49	8-459-010024	LOCKOUT, CYLINDER (NOT SHOWN) (INCL 50-51)	
50	8-146-010004	BUMPER, RUBBER	
51	8-459-010025	LOCKOUT, CYLINDER WELDMENT	

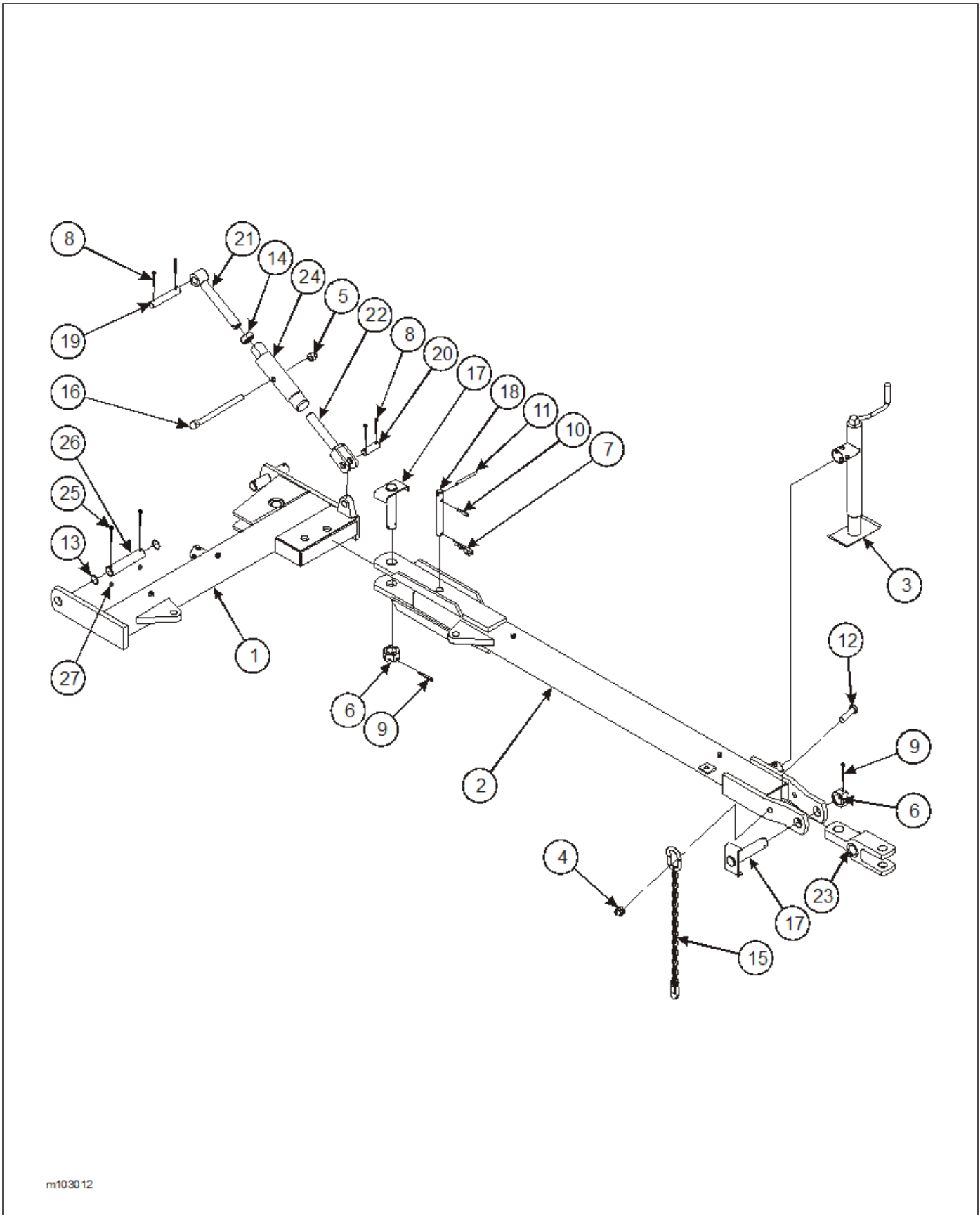


m103007

Figure 2-9: Hitch and Radius Rod Assembly, Small (875-10, 875-13, 875-15)

## HITCH AND RADIUS ROD ASSEMBLY, SMALL (875-10, 875-13, 875-15)

ITEM	PART NO.	DESCRIPTION	QTY.
	103007	HITCH AND RADIUS ROD ASSEMBLY, SMALL	
1	2-375-010562	HITCH WELDMENT, T TYPE	1
2	0600-250-01250	PIN, ROLL 1/4X1-1/4 LONG	2
3	1-298-010001-1	FITTING, GREASE 1/4-28	2
4	1-512-010005-19	NUT, HEX LOCK 1-8 GRB	1
5	1-512-010011-19	NUT, HEX ACORN 3/4-10	2
6	1-557-010362-63	PIN, COTTER 1/4 X 2	2
7	1-654-010125-21	SCREW HEX HEAD CAP 1-8 X 8 GR8	2
7	1-654-010125-22	SCREW, HEX HEAD CAP 1-8 X 8-1/2 GR8	2
8	1-861-010032-24	WASHER, FLAT 1	4
9	100823	NUT, HEX JAM 1-1/4-7 GR2	1
10	141433	SAFETY CHAIN 11,000 LB	1
11	2-150-010228	BUSHING HITCH	2
12	2-360-010015	HANDLE, 20" ROD RADIUS	1
13	2-557-010006	PIN, RADIUS ROD	1
14	2-654-010002	SCREW, RADIUS ROD	1
15	2-654-010003	ROD, RADIUS SCREW LEFT	1
16	8-217-010070	ROD, RADIUS LONG WELDMENT	1
17	1-423-010009	JACK SWIVEL	1
17	1-423-010010	CRANK REPAIR KIT <b>(NOT SHOWN)</b>	1
17	1-423-010011	SCREW REPLACEMENT KIT <b>(NOT SHOWN)</b>	1
17	1-423-010012	INNER RAM KIT <b>(NOT SHOWN)</b>	1
18	100843	HITCH CAT II AND CLEVIS <b>(INCL. ITEMS 19-22)</b>	1
18	100844	HITCH CAT III AND CLEVIS <b>(INCL. ITEMS 19-22)</b>	1
19	2-375-010600	HITCH RING CAT II	1
19	2-375-010601	HITCH RING CAT III	1
20	1-512-010008-12	NUT, HEX 3/4-16	1
21	1-654-010087-16	SCREW, HEX HEAD CAP 3/4-16 X 5-1/2 GR5	1
22	100214	CLEVIS, HITCH PPI-208	1
23	106046	SCREW, HEX HEAD CAP 1/4-20 X 2 GR8	4
24	8-557-010114	PIN, HITCH	1
25	8-861-010021	WASHER, FLAT 2-3/8 X 1-5/8 X 1/8	2
26	2-120-010004	BRACKET, HOSE	1
27	1-512-010005-09	NUT, HEX LOCK 1/2-13 GRB	1
28	1-512-010007-09	NUT, HEX 1/2-13 GR2	1
29	1-654-010055-03	SCREW, HEX HEAD CAP 1/2-13 X 1-1/2 GR5	1
30	2-522-010010	NUT, SPECIAL	1
31	1-861-010034-13	WASHER, SPLIT LOCK 1/2	1
32	2-557-010054	PIN, EXTENDED CYLINDER	1
33	2-482-010274	MOUNT, HYD HOSE BRACKET	1
34	1-512-010005-01	NUT, HEX LOCK 1/4-20 GRB	4



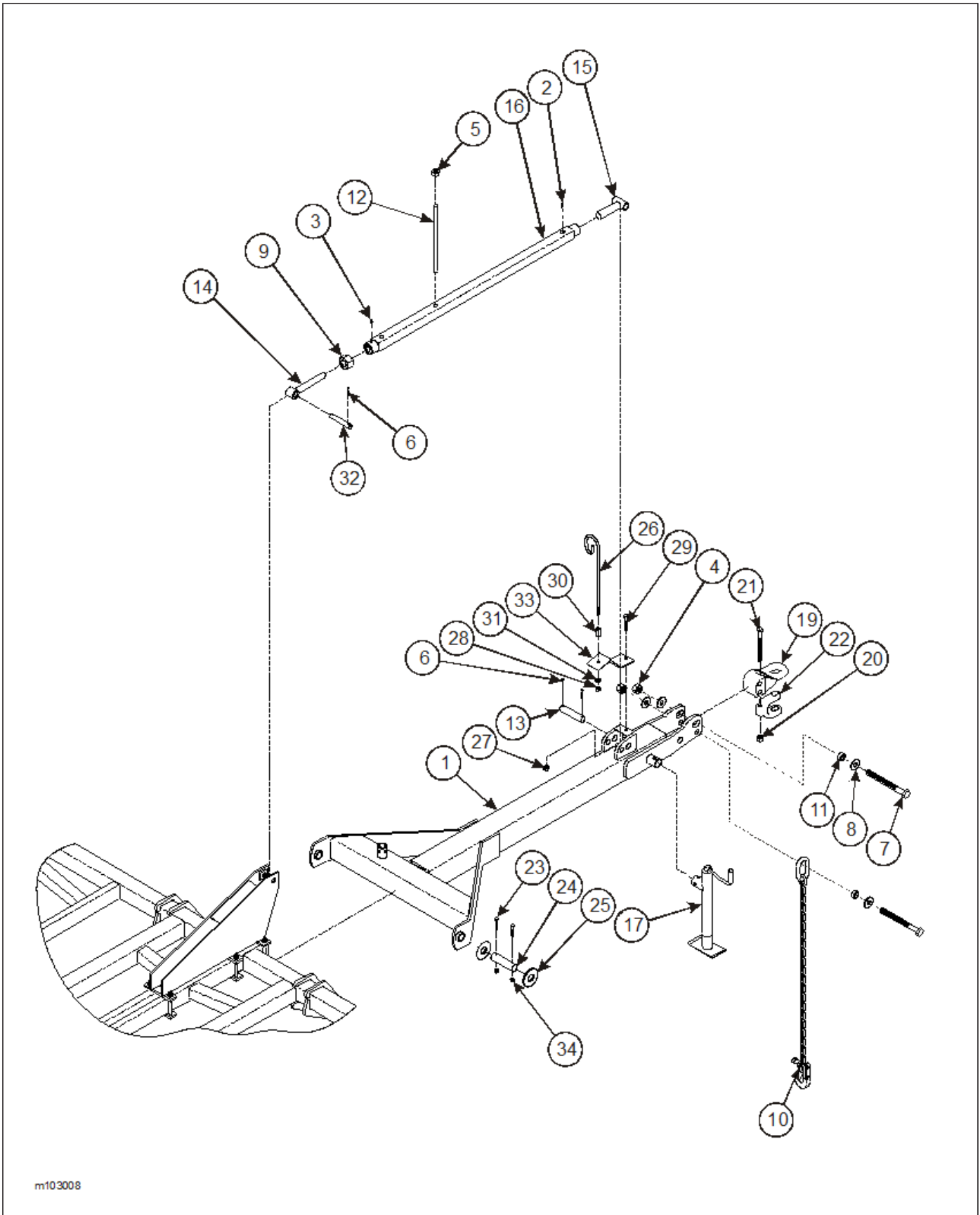
m103012

Figure 2-10: Hitch and Radius Rod Assembly (15' Fold Model)



## HITCH AND RADIUS ROD ASSEMBLY (875-15F)

ITEM	PART NO.	DESCRIPTION	QTY.
--	103012	HITCH AND RADIUS ROD ASSEMBLY	
1	8-375-010265	HITCH FRAME	1
2	8-375-010269	ARM PULL HITCH	1
3	1-423-010009	JACK SWIVEL	1
3	1-423-010010	CRANK REPAIR KIT <b>(NOT SHOWN)</b>	1
3	1-423-010011	SCREW REPLACEMENT KIT <b>(NOT SHOWN)</b>	1
3	1-423-010012	INNER RAM KIT <b>(NOT SHOWN)</b>	1
4	1-512-010002-15	NUT, HEX LOCK 3/4-10 GRC	1
5	1-512-010011-19	NUT, HEX ACORN 3/4-10	2
6	1-516-010001-27	NUT, HEX SLOT 1-1/2	2
7	1-557-010014	PIN, HAIR 1/4	1
8	1-557-010362-63	PIN, COTTER 1/4 X 2	2
9	1-557-010362-65	PIN, COTTER 1/4 X 2-1/2 <b>(NOT SHOWN)</b>	2
10	1-647-010004255	PIN, SPRING SLOTTED 3/8 X 2	1
11	1-647-010004263	PIN, SPRING SLOTTED 3/8 X 4	1
12	1-654-010061-09	SCREW, HEX HEAD CAP 3/4-10 X 3 GR5	1
13	1-861-010032-24	WASHER, FLAT 1	4
14	100823	NUT, HEX JAM 1-1/4-7 GR2	1
15	141433	SAFETY CHAIN 11,000 LB	1
16	2-360-010018	HANDLE, 10" ROD RADIUS	1
17	2-557-010022	PIN TONGUE	2
18	2-557-010028	PIN, TRAIL HITCH	1
19	2-557-010054	PIN, EXTENDED CYLINDER	1
20	2-557-010125	PIN, RADIUS ROD	1
21	2-654-010002	SCREW, RADIUS ROD	1
22	2-654-010030	SCREW WELDMENT, LEFT COULTER	1
23	375-0002	TONGUE CASTING	1
24	8-217-010068	ROD, RADIUS	1
25	106046	SCREW, HEX HEAD CAP 1/4-20 X 2 GR8	4
26	8-557-010114	PIN, HITCH	1
27	1-512-010005-01	NUT, HEX LOCK 1/4-20 GRB	4

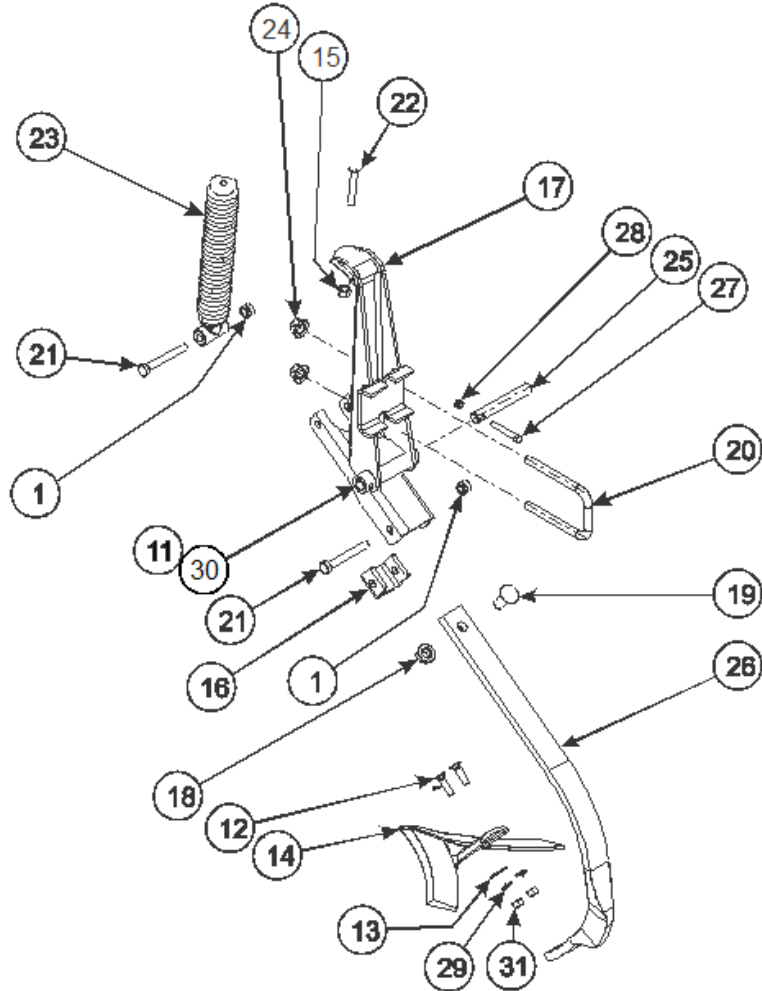


m103008

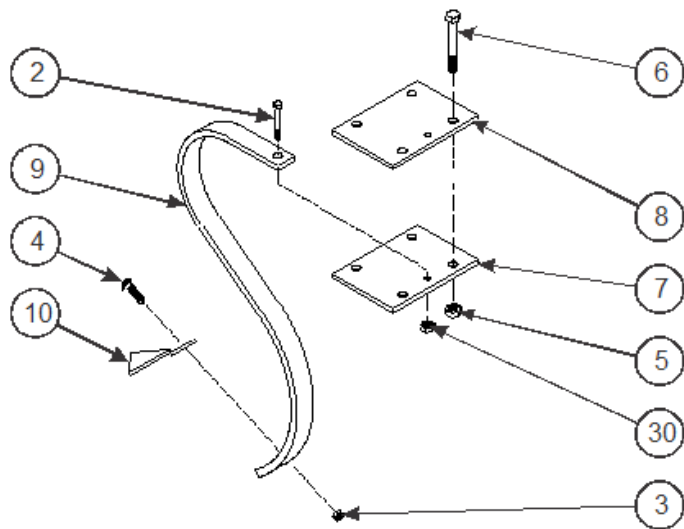
Figure 2-11: Hitch Assembly, Large (875-18, 875-21, 875-25)

## HITCH AND RADIUS ROD ASSEMBLY, LARGE (875-18, 875-21, 875-25)

ITEM	PART NO.	DESCRIPTION	QTY.
--	103008	HITCH AND RADIUS ROD ASSEMBLY, LARGE	
1	164777	HITCH WELDMENT, CAT V TYPE	1
2	0600-250-01250	PIN, ROLL 1/4 X 1-1/4 LONG	2
3	1-298-010001-1	FITTING, GREASE 1/4-28	2
4	1-512-010005-19	NUT, HEX LOCK 1-8 GRB	1
5	1-512-010011-19	NUT, HEX ACORN 3/4-10	2
6	1-557-010362-63	PIN, COTTER 1/4 X 2	2
7	1-654-010125-22	SCREW, HEX HEAD CAP 1-8 X 8-1/2 GR8	2
8	1-861-010032-24	WASHER, FLAT 1	4
9	100823	NUT, HEX JAM 1-1/4-7 GR2	1
10	141434	SAFETY CHAIN 21,000 LB	1
11	2-150-010227	BUSHING	1
12	2-360-010015	HANDLE, 20" ROD RADIUS	1
13	2-557-010006	PIN, RADIUS ROD	1
14	2-654-010002	SCREW, RADIUS ROD	1
15	2-654-010003	ROD, RADIUS SCREW LEFT	1
16	8-217-010070	ROD, RADIUS LONG WELDMENT	1
17	1-423-010009	JACK SWIVEL	1
17	1-423-010010	CRANK REPAIR KIT <b>(NOT SHOWN)</b>	1
17	1-423-010011	SCREW REPLACEMENT KIT <b>(NOT SHOWN)</b>	1
17	1-423-010012	INNER RAM KIT <b>(NOT SHOWN)</b>	1
18	100843	HITCH CAT II AND CLEVIS <b>(INCL. ITEMS 19-22)</b>	1
18	100844	HITCH CAT III AND CLEVIS <b>(INCL. ITEMS 19-22)</b>	1
19	2-375-010600	HITCH RING CAT II	1
19	2-375-010601	HITCH RING CAT III	1
19	2-375-010602	HITCH RING CAT IV	1
20	1-512-010008-12	NUT, HEX 3/4-16	1
21	1-654-010087-16	SCREW, HEX HEAD CAP 3/4-16 X 5-1/2 GR5	1
22	100214	CLEVIS, HITCH PPI-208	1
23	106046	SCREW, 1/4-20 X 2 GR8	4
24	8-557-010114	PIN, HITCH	1
25	8-861-010021	WASHER, FLAT 2-3/8 X 1-5/8 X 1/8	2
26	2-120-010004	BRACKET, HOSE	1
27	1-512-010005-09	NUT, HEX LOCK 1/2-13 GRB	1
28	1-512-010007-09	NUT, HEX 1/2-13 GR2	1
29	1-654-010055-03	SCREW, HEX HEAD CAP 1/2-13 X 1-1/2 GR5	1
30	2-522-010010	NUT, SPECIAL	1
31	1-861-010034-13	WASHER, SPLIT LOCK 1/2	1
32	2-557-010054	PIN, EXTENDED CYLINDER	1
33	2-482-010274	MOUNT, HYD HOSE BRACKET	1
34	1-512-010005-01	NUT, HEX LOCK 1/4-20 GRB	4



SPRING CLAMP ASSEMBLY



CENTER SHANK ASSEMBLY

2mb410-011278

Figure 2-12: Shank, Clamp, and Sweep Assembly (Before 9-1-2020)

**SHANK, CLAMP AND SWEEP ASSEMBLY (Before 9-1-2020)**

ITEM	PART NO.	DESCRIPTION	QTY.
1	1-512-010005-09	NUT, HEX LOCK 1/2-13 GRB	
2	1-654-010055-05	SCREW, HEX HEAD CAP 1/2-13 X 2 GR5	
3	1-512-010005-05	NUT, HEX LOCK 3/8-16 GRB	
4	3/8-16X1-1/2PB	BOLT, PLOW 3/8	
5	1-512-010005-13	NUT, HEX LOCK 5/8-11GRB	
6	107-0018	HHCS 5/8-11X6-1/2LG GR5	
7	8-182-010025	MOUNT, CENTER SHANK <b>(875-15F)</b>	
7	8-182-010022	MOUNT, CENTER SHANK <b>(875-10, 875-13, 875-15, 875-18, 875-21, 875-25)</b>	
8	100694	PLATE, TOP PAINTED CENTER SHANK <b>(875-15F)</b>	
8	8-182-010023	MOUNTING BRACKET <b>(875-10, 875-13, 875-15, 875-18, 875-21, 875-25)</b>	
9	8-683-010021	SHANK, CENTER	
10	8-689-010010	SWEEP, 7" DANISH	
11	178474	ASSEMBLY, SPRING CLAMP <b>(CONTAINS ITEMS 30, 31 &amp; 32)</b>	
12	7/16-14X1-1/2PW	BOLT, PLOW 7/16-14X1-1/2 GR5	
13	1-861-010032-13	WASHER, FLAT 7/16	
14	2-689-010057	SWEEP, 10" X 1/4 ULTRAWING	
14	8-689-010009	SWEEP, 10" <b>(NOT SHOWN)</b>	
15	1-512-010007-09	NUT, HEX 1/2-13	
16	178475	CLAMP, SHANK	
17	2-183-010090	CLAMP WELDMENT UPPER SPRING	
18	29SFFL 5811	NUT, LOCK	
19	133662	SCREW, RD HEAD SQ NECK 5/8-11 X 1-3/4	
20	8-102-010023	U-BOLT, SPRING CLAMP	
21	8-105-010004	CLAMP, PIVOT BOLT SPRING 1/2"	
22	8-105-010006	SCREW, HEX HEAD CAP 1/2-13X3 GR5	
23	8-183-010058	FIELD CULT. SPRING ASSEMBLY	
24	100827	NUT, FLANGE HEAD SERRATED 5/8-11	
25	2-557-010517	PIN, SPRING CLAMP	
26	2-683-010079	SHANK "C" EDGE BENT	
27	108628	SCREW, HEX HEAD CAP 5/16-18 X 2-1/4 GR5	
28	1-512-010005-03	NUT, HEX LOCK 5/16-18 GRB	
29	1-861-010034-12	WASHER, SPLIT LOCK 7/16	
30	2-150-010058	SPRING BUSHING 1X3/4X3	
31	1-512-010007-08	NUT, HEX 7/16-14 GR2	

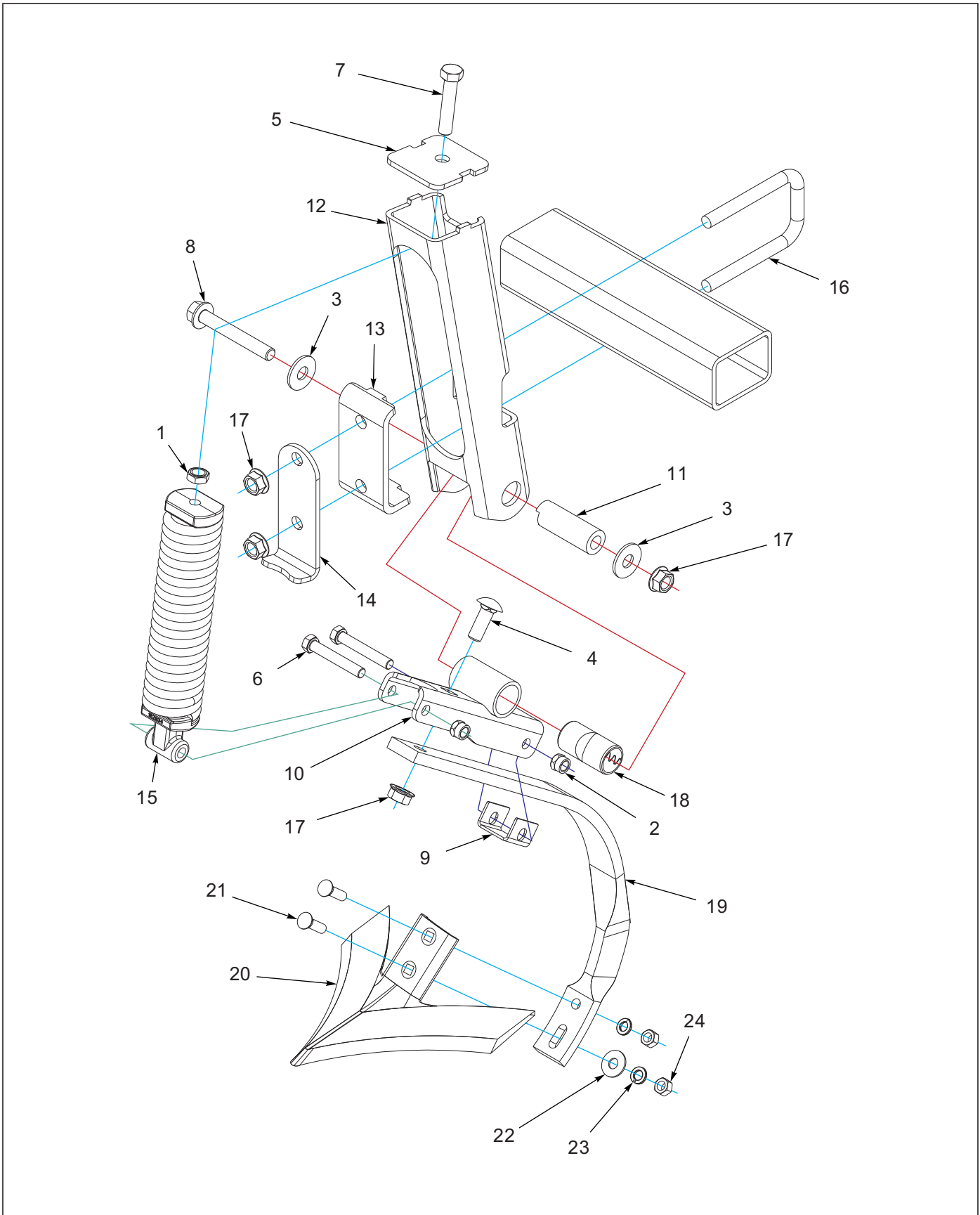


Figure 2-13: Spring Shank Assembly (After 9-1-2020)

**SPRING SHANK ASSEMBLY (After 9-1-2020)**

ITEM	PART NO.	DESCRIPTION	QTY.
--	225540	SHANK ASSY, SPRING, 3 X 4 TUBE <b>(INCLUDES ITEMS 1-18)</b>	
1	1-511-010001-07	NUT, HEX JAM 5/8-11	1
2	1-512-010005-09	NUT,HEX,SLFLKG, 1/2-13 GRB	2
3	1-861-010032-19	WASHER, FLAT 5/8 W ZP/CD	2
4	133662	SCRW RDHD SHT SQNK5/8-11X1.75	1
5	162906	PLATE, SPRING	1
6	164146	SCREW, HEX CAP 1/2-13X3-1/4	2
7	164147	SCREW HX CAP5/8-11X3 2-1/2THD	1
8	164192	SCREW 5/8-11UNCX4-1/2 FLG HD	1
9	166160	CLAMP, SHANK	1
10	172667	CLAMP, SHANK <b>(INCLUDES ITEM 18)</b>	1
11	172671	BUSHING, CLAMP	1
12	225541	SQ TUBE, SHANK MOUNT	1
13	225542	CLAMP, SHANK MOUNT	1
14	225543	STOP, SHANK MOUNT	1
15	225544	SPRING ASSY, 13-1/8 EXTENSION	1
16	229555	U-BOLT, 5/8 X 3-11/16 X 5-3/4	1
17	29SFFL 5811	NUT,FLANGE HEAD LOCK5/8-11UNC	4
18	172672	BUSHING 1-1/2 X 1-1/4 X2-15/16	1
19	2-683-010079	SHANK "C" EDGE BENT	1
20	8-689-010009	SWEEP 10 IN 810-800A	1
21	7/16-14X1-1/2PW	PLOW BOLT ZP GR5	2
22	1-861-010032-13	WASHER FLAT 7/16	1
23	1-861-010034-12	WASHER,LOCKING HLC SPG 7/16	2

50 ILLUSTRATED PARTS LIST

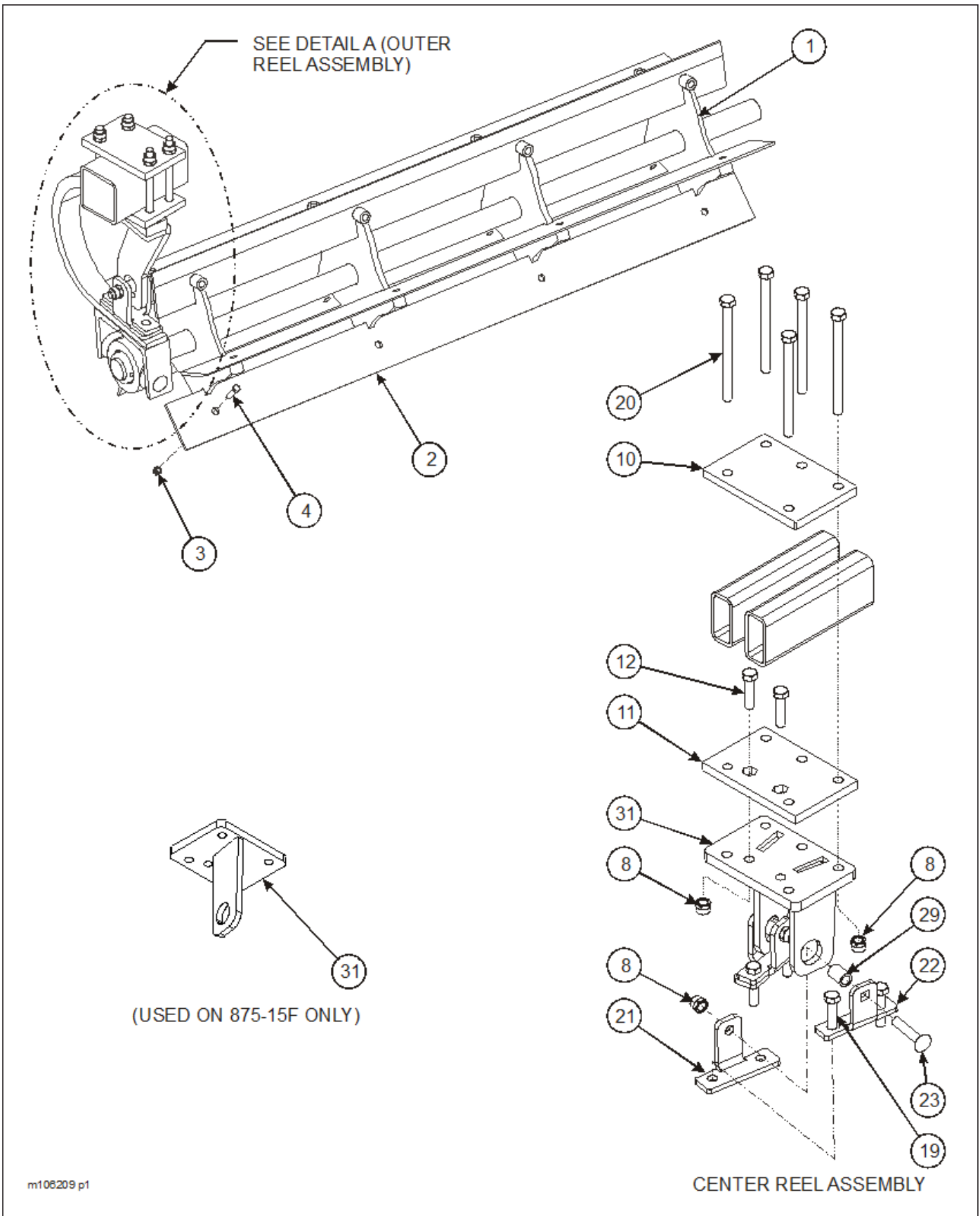


Figure 2-14: Reel Assembly (1 of 2)



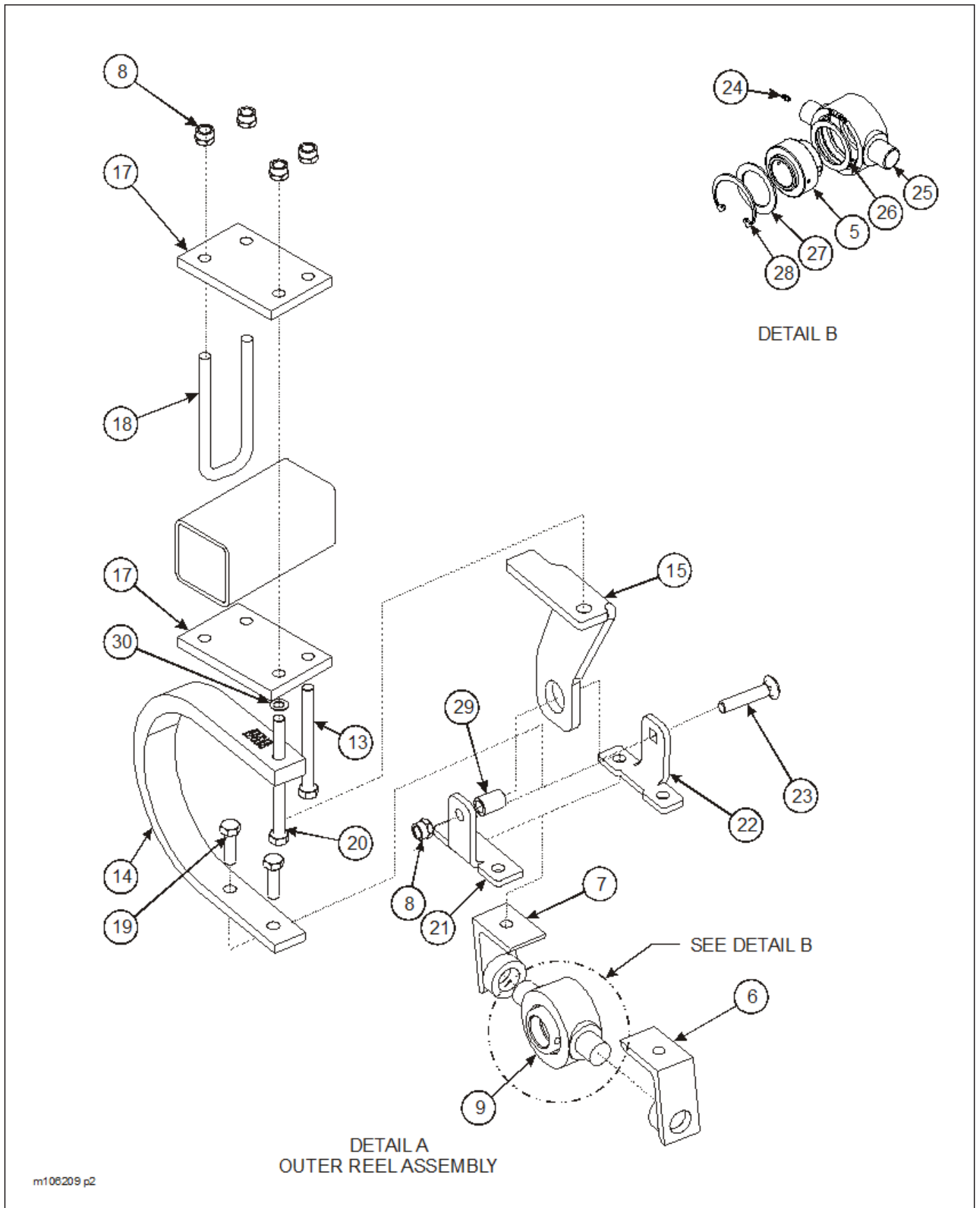


Figure 2-15: Reel Assembly (2 of 2)

## REEL ASSEMBLY

ITEM	PART NO.	DESCRIPTION	QTY.
1	8-622-010011	REEL WELDMENT, 91" BLADE (875-15, 875-15F) (REEL ASSEMBLY DOES NOT INCLUDE BLADE. REEL BLADES ARE LISTED UNDER ITEM NO. 2)	
1	8-622-010009	REEL WELDMENT, 86-1/2" BLADE (875-15F)	
1	8-622-010022	REEL WELDMENT, 50-1/2" BLADE (875-18)	
1	8-622-010024	REEL WELDMENT, 55" BLADE (875-18)	
1	8-622-010015	REEL WELDMENT, 64" BLADE (875-10, 875-21)	
1	8-622-010017	REEL WELDMENT, 59-1/2" BLADE (875-21)	
1	8-622-010006	REEL WELDMENT, 82" BLADE (875-13, 875-25)	
1	8-622-010013	REEL WELDMENT, 68-1/2 BLADE (875-25)	
2	8-622-010016	REEL BLADE, 64"	
2	8-622-010018	REEL BLADE, 59-1/2"	
2	8-622-010007	REEL BLADE, 82"	
2	8-622-010014	REEL BLADE, 68-1/2"	
2	8-622-010012	REEL BLADE, 91"	
2	8-622-010010	REEL BLADE, 86-1/2"	
2	8-622-010023	REEL BLADE, 50-1/2"	
2	8-622-010025	REEL BLADE, 55"	
3	1-512-010005-09	NUT, HEX LOCK 1/2-13 GRB	
4	1-654-010055-05	SCREW, HEX HEAD CAP 1/2-13 X 2 GR5	
5	1-065-010012	BEARING W/ COLLAR 1-3/4	
6	136509	HANGER, BEARING LH REEL	
7	136510	HANGER, BEARING RH REEL	
8	1-512-010005-13	NUT, HEX LOCK 5/8-11 GRB	
9	8-065-010016	BEARING ASSEMBLY (INCL ITEMS 5 & 24-28)	
10	8-622-010028	PLATE, TOP REEL BRACKET (ALL MODELS EXCEPT 875-15F)	
10	8-622-010066	TOP PLATE, REEL MOUNT (875-15F)	
11	8-622-010031	SPACER WELDMENT, REEL BRACKET (ALL MODELS EXCEPT 875-15F)	
11	8-622-010067	SPACER PLATE, REEL MOUNT (875-15F)	
12	1-654-010059-07	SCREW, HEX HEAD CAP 5/8-11 X 2-1/2 GR5	
13	5/8-11X6-1/2 CS	SCREW, HEX HEAD CAP 5/8-11 X 6-1/2 GR5	
14	8-683-010023	TAPERED SPRING SHANK	
15	135439	BRACKET, TOP REEL GUARD	
16	5/8-11X7-1/2 CS	SCREW, HEX HEAD CAP 5/8-11 X 7-1/2 GR5 (NOT SHOWN)	
17	8-622-010003	SHANK MOUNT, REEL	
18	8-102-010020	U-BOLT, REEL MOUNT	
19	1-654-010059-08	SCREW, HEX HEAD CAP 5/8-11 X 2-3/4 GR5	
20	1-654-010059-21	SCREW, HEX HEAD CAP 5/8-11 X 8 GR5	
21	135442	BRACKET, OUTER BOTTOM REEL	
22	135443	BRACKET, INNER BOTTOM REEL	
23	1-654-010126-10	SCREW, RD HEAD SQ NECK 5/8-11 X 3-1/4	
24	1-298-010001-1	FITTING, GREASE	
25	1-065-010013	BEARING, MOUNT	
26	8-861-010008	WASHER, FLAT	

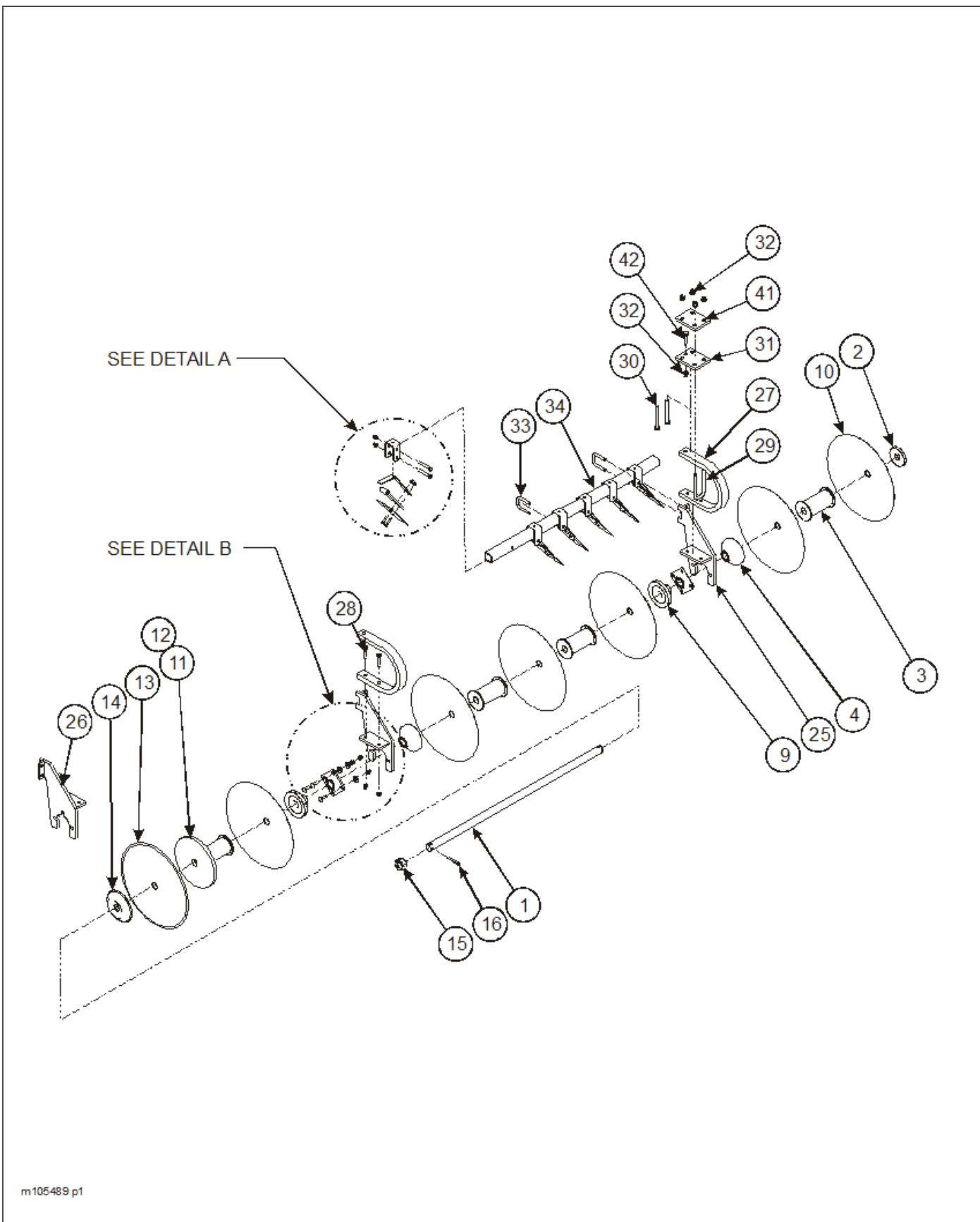
---

**REEL ASSEMBLY**

---

ITEM	PART NO.	DESCRIPTION	QTY.
27	8-861-010009	WASHER, FLAT	
28	8-630-010001	RING RETAINING	
29	RRT159X1.375	TUBE, ROUND 1 OD X 11/16 ID X 1-3/8	
30	1-861-010032-19	WASHER, FLAT 5/8W	
31	136167	BRACKET WELDMENT, CENTER REEL <b>(ALL MODELS EXCEPT 875-15F)</b>	
31	145469	BRACKET WELDMENT, REEL MOUNT <b>(875-15F)</b>	

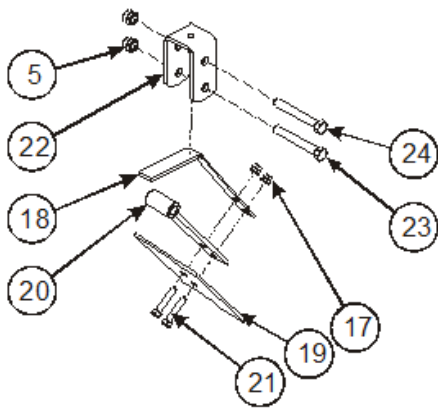
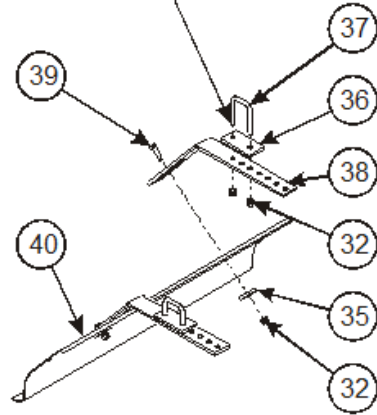
---



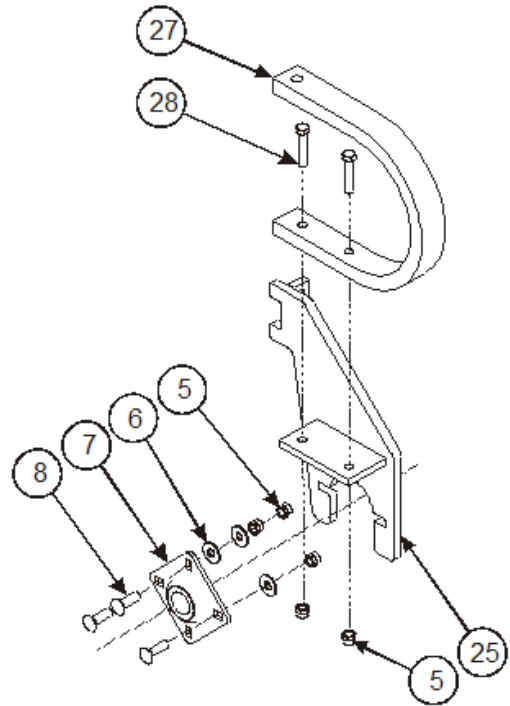
m105489 p1

Figure 2-16: Disc and Spray Shield Assembly

ATTACHES TO FRAME TUBE  
WHERE DISC GANG MOUNTS



DETAIL A



DETAIL B

m105489 p2

Figure 2-17: Disc and Spray Shield Assembly

## DISC AND SPRAY SHIELD ASSEMBLY

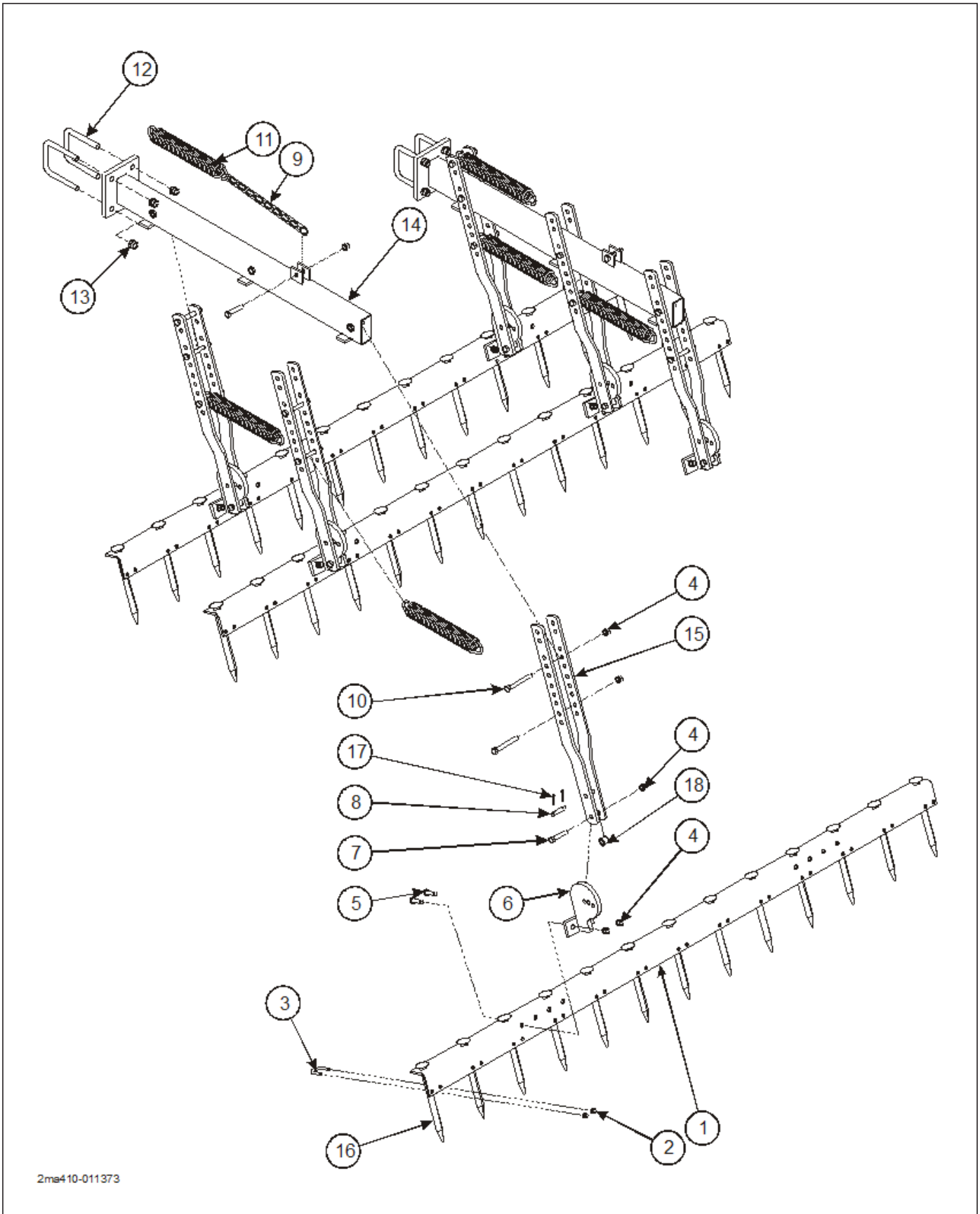
ITEM	PART NO.	DESCRIPTION	QTY.
1	8-253-010030	DISC ROD (875-10)	
1	8-253-010015	DISC ROD (875-13)	
1	8-253-010022	DISC ROD (875-15, 875-15F)	
1	8-253-010037	DISC ROD (875-18)	
1	8-253-010038	DISC ROD (875-18)	
1	8-253-010029	DISC ROD (875-21)	
1	8-253-010027	DISC ROD (875-25)	
1	8-253-010028	DISC ROD (875-25)	
2	8-253-010012	WASHER, HEAVY DISC	
3	8-253-010007	SPOOL ASSEMBLY, DISC GANG	
4	8-253-010050	SPOOL, HALF CONVEX	
5	1-512-010005-09	NUT, HEX LOCK 1/2-13 GRB	
6	1-861-010032-15	WASHER, FLAT 1/2	
7	1-065-010011	BEARING FLANGED 1-1/2	
8	1-654-010070-04	SCREW, RD HEAD SQ NECK 1/2-13 X 1-3/4 GR5	
9	8-253-010049	SPOOL, HALF CONCAVE	
10	8-253-010002	BLADE, DISC 20"	
11	8-253-010010	SPOOL, OUTSIDE (USED W/ FLAT COULTER)	
12	8-253-010043	END SPOOL WING MAINFRAME (USED W/ DISC BLADE)	
13	2-217-010031	BLADE, COULTER	
14	1-861-010006	WASHER, SPRING	
15	1-516-010001-27	NUT, SLOTTED 1-1/2	
16	1-557-010362-87	PIN, COTTER 3/8 X 2-1/2	
17	1-512-010005-05	NUT, HEX LOCK 3/8-16	
18	8-720-010012	SCRAPER SPRING	
19	8-253-010003	SCRAPER 20" CONCAVE BLADE	
20	8-253-010004	SCRAPER ARM ASSEMBLY	
21	1-654-010051-05	SCREW, HEX HEAD CAP 3/8-16 X 1 GR5	
22	8-253-010042	MOUNT, SINGLE PIECE SCRAPER	
23	8-105-010004	BOLT, PIVOT SPRING CLAMP 1/2	
24	1-654-010055-11	SCREW, HEX HEAD CAP 1/2-13 X 3-1/2 GR2	
25	8-253-010016	MOUNT, BEARING RIGHT	
26	8-253-010017	MOUNT, BEARING LEFT	
27	8-683-010020	MOUNT, SPRING SHANK DISC	
28	1-654-010055-07	SCREW, HEX HEAD CAP 1/2-13 X 2-1/2 GR5	
29	8-102-010021	U-BOLT, RIGID CLAMP	
30	1-654-010059-16	SCREW, HEX HEAD CAP 5/8-11 X 5-1/2 GR5	
31	8-253-010041	PLATE, 5 HOLE DISC MOUNT	
32	1-512-010005-13	NUT, HEX LOCK 5/8-11	
33	8-102-010019	U-BOLT, SCRAPER	
34	8-253-010031	SCRAPER BAR 7 DISC GANG (875-21, 875-25)	
34	8-253-010023	SCRAPER BAR 6 DISC GANG (875-10, 875-18)	
34	8-253-010013	SCRAPER BAR 9 DISC GANG (875-13)	
34	8-253-010025	SCRAPER BAR 10 DISC GANG (875-15, 875-15F, 875-25)	
34	8-253-010036	SCRAPER BAR 5 DISC GANG (875-18)	
35	8-681-010010	PLATE, BACK UP	
36	100693	BRACKET CLAMP	
37	8-102-010012	U-BOLT	
38	8-681-010008	BRACKET, ADJUSTMENT SPRAY SHIELD	

---

**DISC AND SPRAY SHIELD ASSEMBLY**

---

ITEM	PART NO.	DESCRIPTION	QTY.
39	1-654-010059-05	SCREW, HEX HEAD CAP 5/8-11 X 2 GR5	
40	8-681-010012	SPRAY SHIELD 55" <b>(875-21, 875-25)</b>	
40	8-681-010009	SPRAY SHIELD 76" <b>(875-15, 875-15F, 875-25)</b>	
40	8-681-010013	SPRAY SHIELD 48" <b>(875-10, 875-18)</b>	
40	8-681-010014	SPRAY SHIELD 69" <b>(875-13)</b>	
40	8-681-010020	SPRAY SHIELD 41" <b>(875-18)</b>	
41	8-253-010040	PLATE, 4 HOLE DISC MOUNT	
42	1-654-010059-07	SCREW, HEX HEAD CAP 5/8-11 X 2-1/2 GR5	



2ma410-011373

Figure 2-18: Harrow Assembly



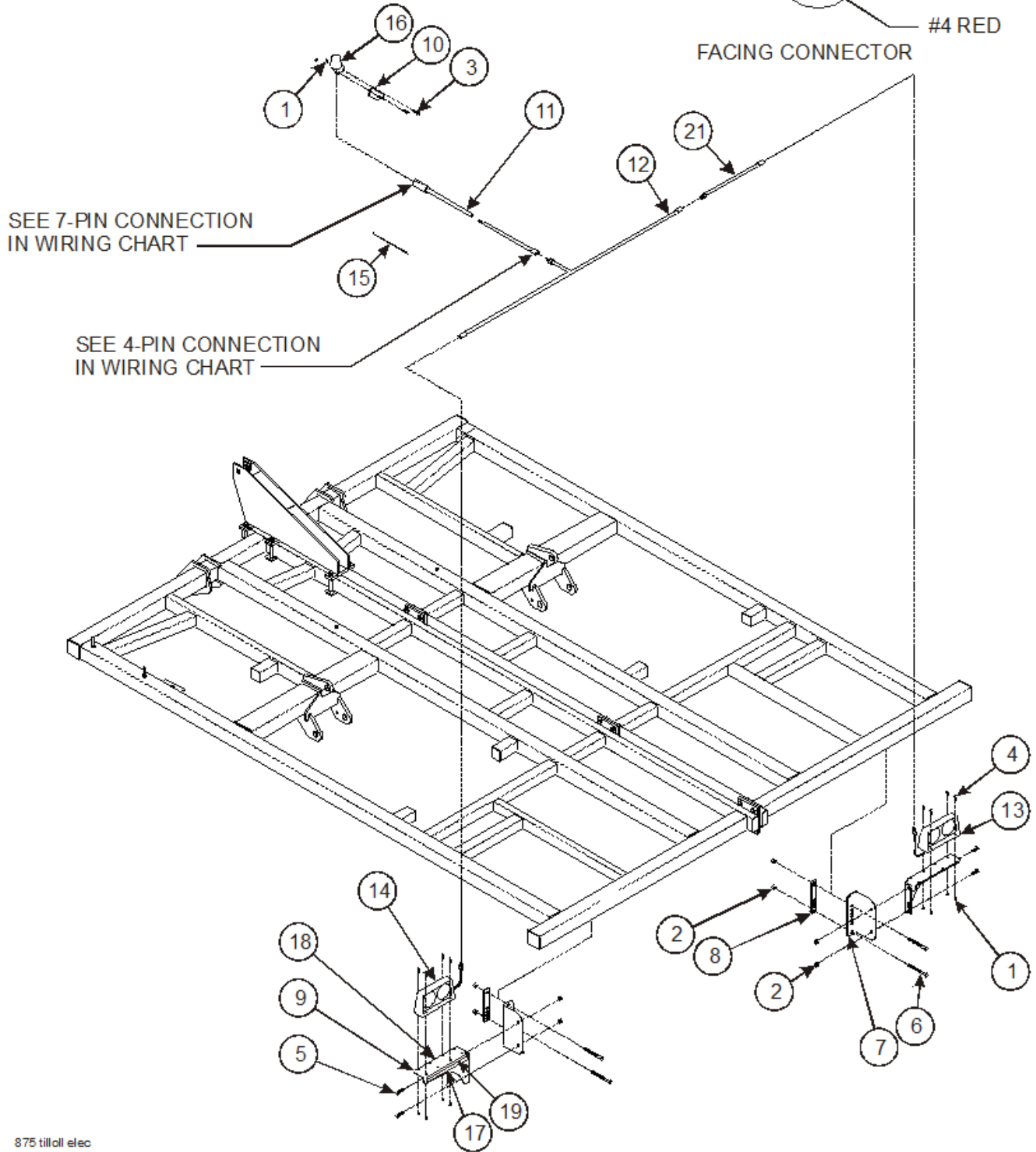
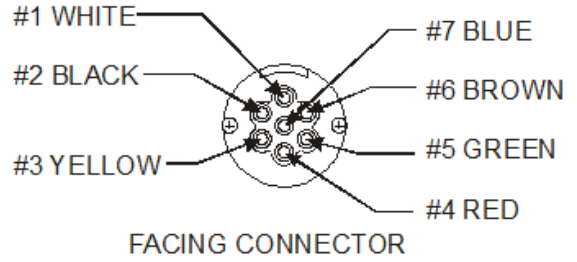
## HARROW ASSEMBLY

ITEM	PART NO.	DESCRIPTION	QTY.
1	8-370-010011	HARROW 85 (875-13, 875-25)	
1	8-370-010012	HARROW 92-1/2 (875-15, 875-15F)	
1	8-370-010013	HARROW 62-1/2 (875-10, 875-18, 875-21)	
1	8-370-010014	HARROW 70 (875-25)	
1	8-370-010016	HARROW 107-1/2 (875-18)	
2	1-512-010005-05	NUT, HEX LOCK 3/8-16	
3	8-102-010017	U-BOLT, HARROW SPIKE	
4	1-512-010005-09	NUT, HEX LOCK 1/2-13	
5	1-654-010055-03	SCREW, HEX HEAD CAP 1/2-13 X 1-1/2 GR5	
6	8-370-010008	BRACKET, HARROW ADJUSTMENT	
7	1/2-13X2-1/2CS	SCREW, HEX HEAD CAP 1/2-13 X 2-1/2 GR5	
8	0800-0500-02000	PIN, CLEVIS 1/2 X 2	
9	8-370-010015	CHAIN, HARROW SPRING	
10	1-654-010055-16	SCREW, HEX HEAD CAP 1/2-13 X 5-1/2 GR5	
11	8-720-010011	HARROW SPRING	
12	6-102-010009	U-BOLT, GAUGE WHEEL	
13	1-512-010005-13	NUT, HEX LOCK 5/8-11	
14	151029	HANGER ARM HARROW	
15	8-370-010007	HARROW ADJUSTMENT ARM	
16	8-370-010001	HARROW TOOTH	
17	1-557-010362-40	PIN, COTTER 5/32 X 1-1/4	
18	RRT128X.75	SPACER, BUSHING	

# 50 ILLUSTRATED PARTS LIST

7-PIN CONN	4-PIN CONN	
GRND. 1	A	GROUND
YEL. 3	B	LEFT AMBER
GRN. 5	C	RIGHT AMBER
BRN. 6	D	TAIL LIGHT (RED)

WIRING CHART



875 tilloll elec

Figure 2-19: Electrical Assembly

## ELECTRICAL ASSEMBLY

ITEM	PART NO.	DESCRIPTION	QTY.
1	1-512-010004-05	NUT, HEX LOCK 1/4-20 GRA	10
2	1-512-010005-09	NUT, HEX LOCK 1/2-13 GRB	8
3	1-654-010047-04	SCREW, HEX HEAD CAP 1/4-20 X 3/4 GR5	2
4	1-654-010047-07	SCREW, HEX HEAD CAP 1/4-20 X 1-1/4 GR5	8
5	1-654-010055-03	SCREW, HEX HEAD CAP 1/2-13 X 1-1/2 GR5	4
6	1-654-010055-16	SCREW, HEX HEAD CAP 1/2-13 X 5-1/2 GR5	4
7	2-015-010252	ANGLE, MOUNTING BRACKET LIGHTS	2
8	2-054-010461	BAR, WARNING LIGHTS	2
9	2-120-010503	BRACKET, WARNING LIGHTS	2
10	2-120-010509	BRACKET, STOR-AWAY HOLDER	1
11	2-368-010270	HARNESS, MAIN WARNING LIGHTS	1
12	2-368-010271	HARNESS, REAR WARNING LIGHTS	1
13	2-446-010044	LIGHT ASSEMBLY, WARNING RIGHT	1
14	2-446-010045	LIGHT ASSEMBLY, WARNING LEFT	1
15	105874	TIE, STRAP PLASTIC	15
16	2-368-010287	HARNESS, STOR-AWAY	1
17	528933	REFLECTOR, RED	2
18	528934	REFLECTOR, YELLOW	2
19	528938	STRIPE, ORANGE	2
20	F-306	WARNING LIGHT INSTRUCTION <b>(NOT SHOWN)</b>	1
21	2-368-010274	HARNESS 30" EXTENSION	1

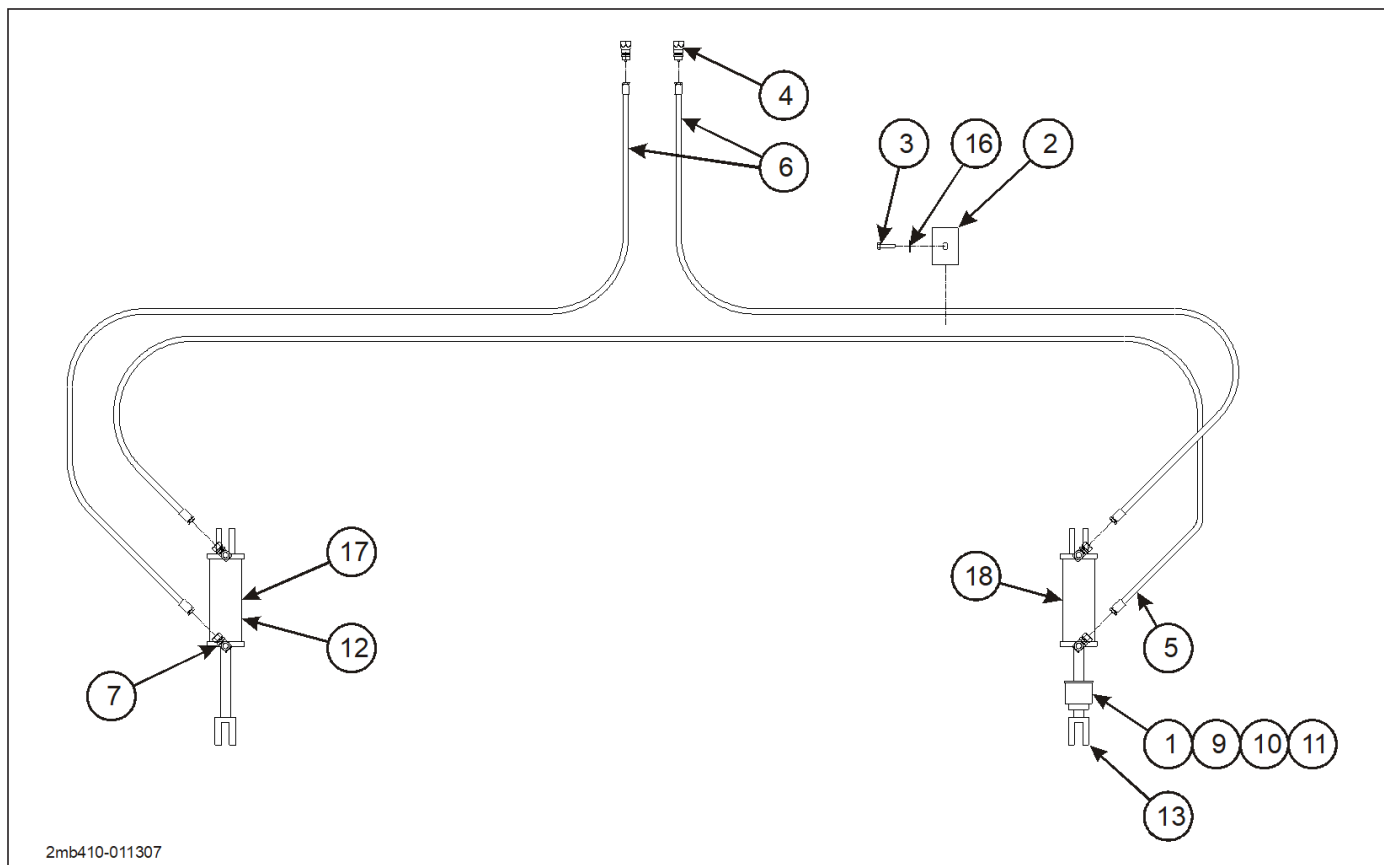


Figure 2-20: Hydraulic Lift Assembly (875-10, 875-13, 875-15)

### HYDRAULIC LIFT ASSEMBLY (875-10, 875-13, 875-15)

ITEM	PART NO.	DESCRIPTION	QTY.
1	1-208-010020	STROKE CONTROL	1
2	2-181-010001	HOSE CLAMP	2
3	1-654-010051-05	SCREW HEX HEAD CAP 3/8-16 X 1 GR5	2
4	141828	COUPLER, MALE 3/4-16	2
5	1-397-010301114	HOSE ASSEMBLY 1/2 X 114 (875-10)	1
5	1-397-010301194	HOSE ASSEMBLY 1/2 X 194 (875-13 & 875-15)	1
6	1-397-010301238	HOSE ASSEMBLY 1/2 X 238 (875-10)	2
6	1-397-010301284	HOSE ASSEMBLY 1/2 X 284 (875-13 & 875-15)	2
7	2062-8-8S	ADAPTER 90	4
9	1-208-010013	COVER STROKE CONTROL ASSEMBLY (INCL ITEMS 10-11)	1
10	1-539-010002	O-RING COVER	1
11	1-208-010010	COVER STROKE CONTROL	1
12	1-242-010173-3	CYLINDER HYDRAULIC 3-3/4 X 8 (SEE PAGE 2-51)	1
13	1-242-010173-4	CYL. HYDR W/ DECAL 4 X 8 (SEE PAGE 2-50)	1
16	1-861-010034-11	WASHER SPLIT LOCK 3/8	2
17	2-573-010149	DECAL SLAVE	1
18	2-573-010150	DECAL MASTER	1

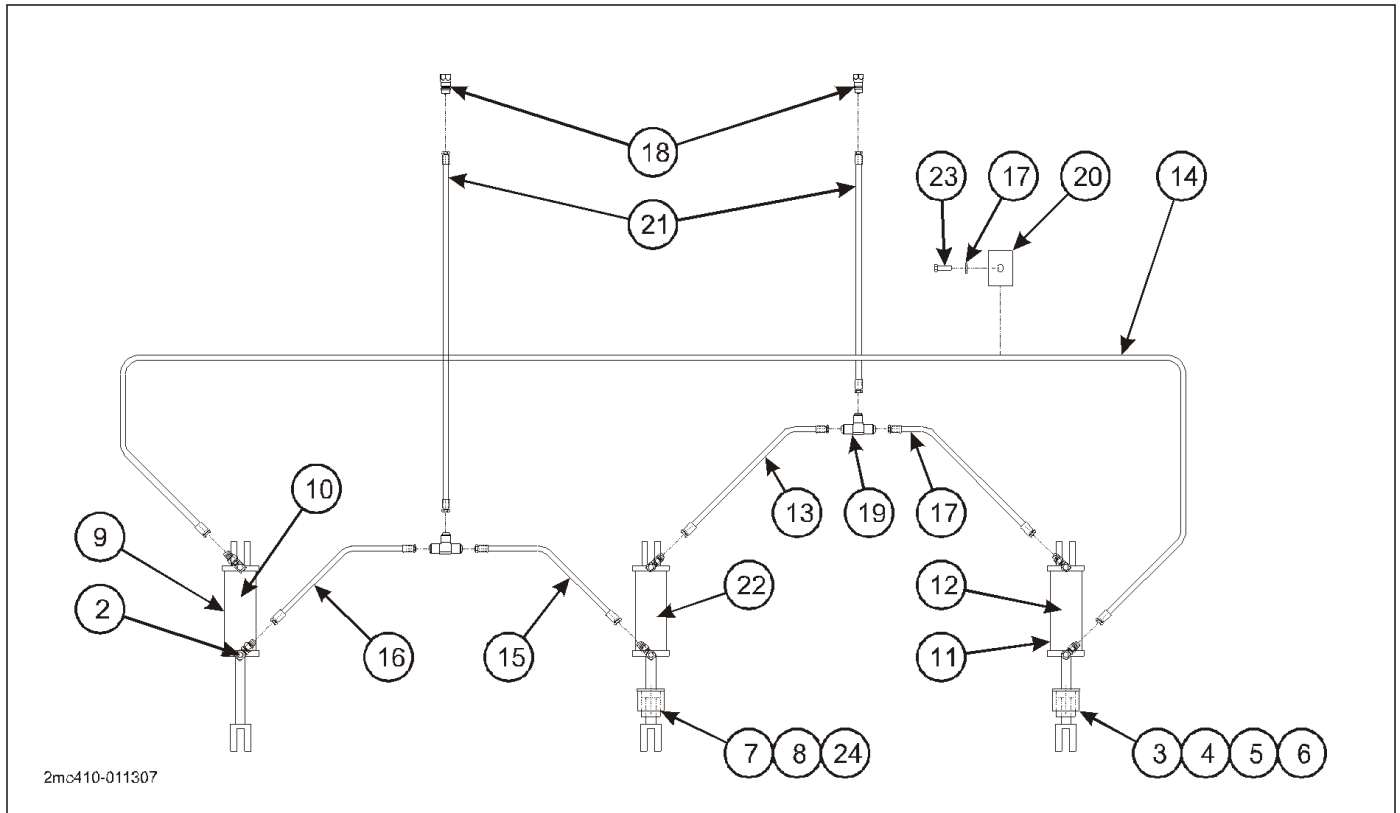


Figure 2-21: Hydraulic Lift Assembly (875-15F)

## HYDRAULIC LIFT ASSEMBLY (875-15F)

ITEM	PART NO.	DESCRIPTION	QTY.
2	2062-8-8S	ADAPTER 90	6
3	1-208-010013	COVER STROKE CONTROL ASSEMBLY(INCL ITEMS 4 & 5)	1
4	1-208-010010	COVER STROKE CONTROL 1-3/8	1
5	1-539-010002	O-RING	1
6	1-208-010020	STROKE CONTROL	1
7	1-208-010049	CONTROL COVER 1-3/4	1
8	1-539-010014	O-RING	1
9	1-242-010173-3	CYLINDER 3-3/4 X 8 (SEE PAGE 2-51)	1
10	2-573-010149	DECAL SLAVE	1
11	1-242-010173-4	CYLINDER , HYD W/ DECAL 4 X 8 (SEE PAGE 2-50)	1
12	2-573-010150	DECAL MASTER	1
13	137602	HOSE ASSEMBLY HI-PRESSURE 3/8 X 27	1
14	117260	HOSE ASSEMBLY 3/8 X 156	1
15	71508984	HOSE ASSEMBLY 3/8 X 42	2
16	1422176	HOSE ASSEMBLY 3/8 X 116	1
17	1-861-010034-11	WASHER SPLIT LOCK 3/8	4
18	141828	COUPLER, MALE 3/4-16	2
19	2033-8-8S	ADAPTER, TEE	2
20	2-181-010001	HOSE CLAMP	4
21	162780	HOSE ASSEMBLY 1/2 X 251	2
22	1-242-010171-3	CYLINDER, HYDRAULIC 4 X 8 (SEE PAGE 2-52)	1
23	1-654-010051-05	SCREW HEX HEAD CAP 3/8-16 X 1 GR5	4
24	209432	KIT, ø2 ROD CYL DEPTH STOP	1

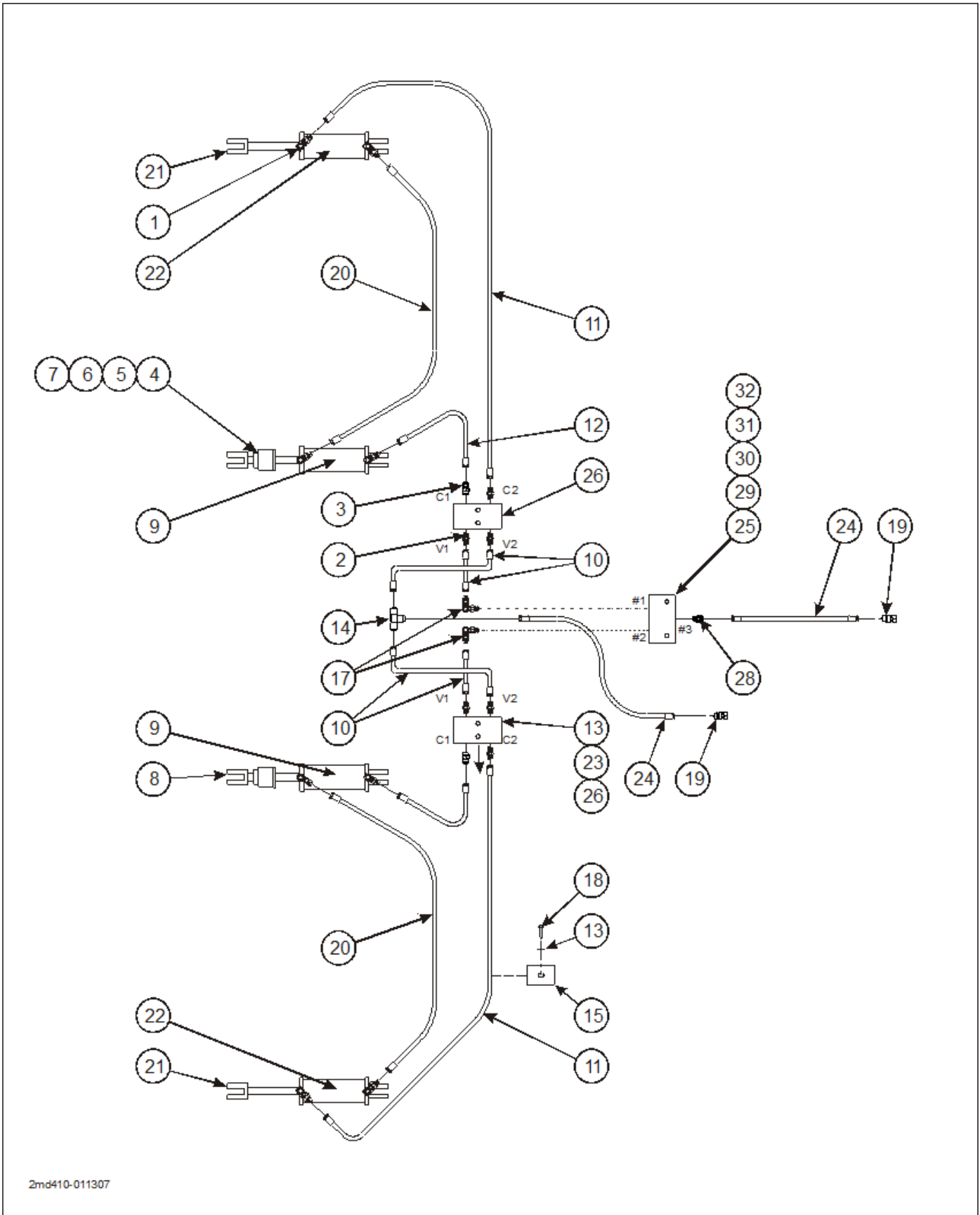
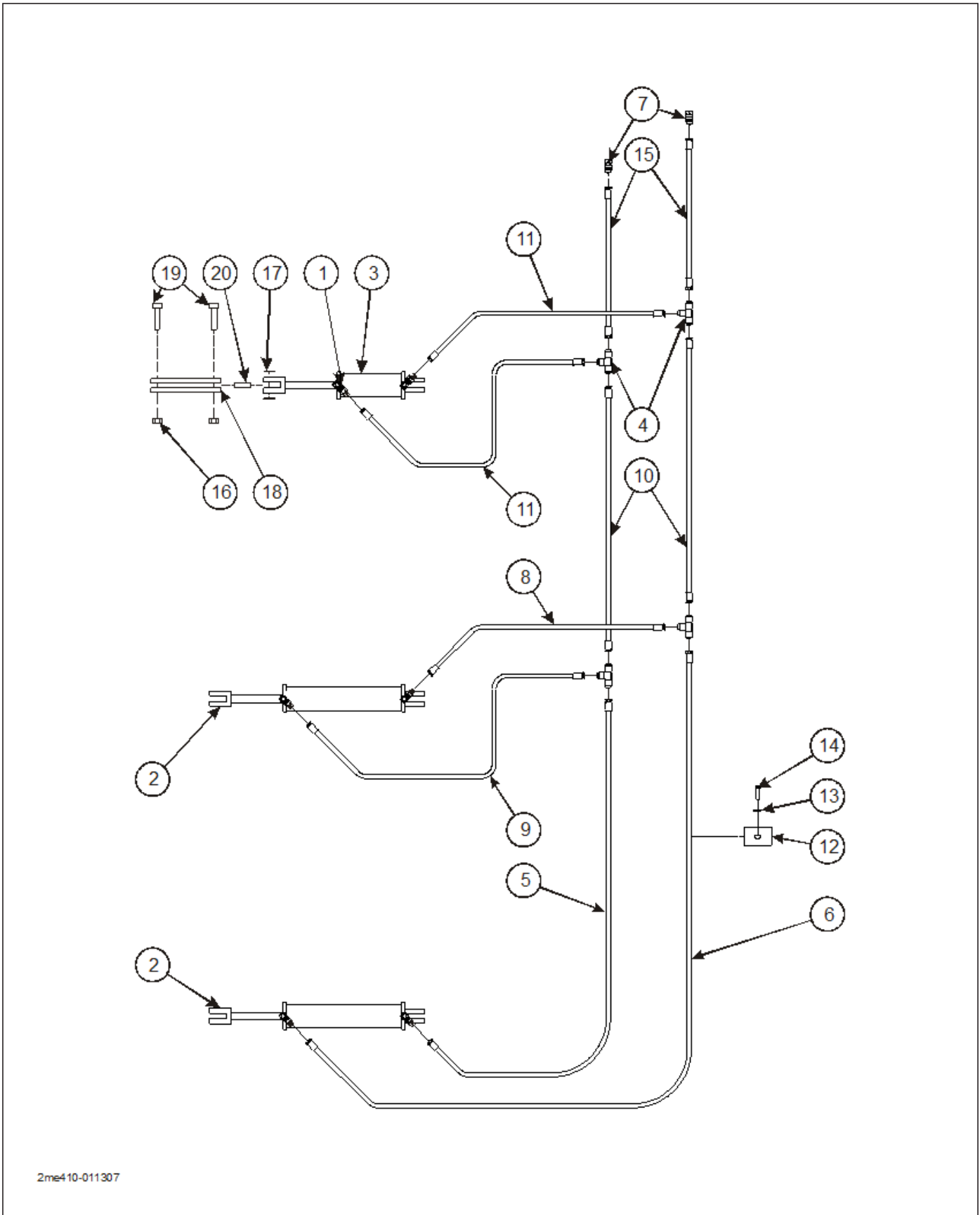


Figure 2-22: Hydraulic Lift Assembly (875-18, 875-21, 875-25)

**HYDRAULIC LIFT ASSEMBLY (875-18, 875-21, 875-25)**

ITEM	PART NO.	DESCRIPTION	QTY.
1	2062-8-8S	ADAPTER 90	8
2	202702-8-8S	ADAPTER	6
3	162671	CHECK VALVE W/ ORIFICE	2
4	1-208-010013	COVER, STROKE CONTROL ASSEMBLY 1-3/4 <b>(INCL 5 &amp; 6)</b>	2
5	1-208-010010	COVER STROKE CONTROL	2
6	1-539-010002	O-RING	2
7	1-208-010020	STROKE CONTROL ASSEMBLY MASTER CYL	2
8	1-242-010173-4	CYLINDER, HYDRAULIC W/ DECAL <b>(SEE PAGE 2-52)</b>	2
9	2-573-010150	DECAL MASTER	2
10	137602	HOSE ASSEMBLY 3/8 X 27 <b>(875-18)</b>	4
10	153841	HOSE ASSEMBLY 3/8 X 18 <b>(875-21)</b>	4
10	1-397-010369036	HOSE ASSEMBLY 3/8 X 36 <b>(875-25)</b>	4
11	137599	HOSE ASSEMBLY 3/8 X 126-1/4 <b>(875-18, 875-21)</b>	2
11	116435	HOSE ASSEMBLY 3/8 X 146 <b>(875-25)</b>	2
12	1-397-010369036	HOSE ASSEMBLY 3/8 X 36 <b>(875-18)</b>	2
12	71508992	HOSE ASSEMBLY 3/8 X 50 <b>(875-21, 875-25)</b>	2
13	1-861-010034-11	WASHER, SPLIT LOCK 3/8	AR
14	2033-8-8S	ADAPTER, TEE	1
15	2-181-010001	HOSE CLAMP	AR
17	2062-10-8S	ADAPTER 90	2
18	1-654-010051-05	SCREW, HEX HEAD CAP 3/8-16 X 1 GR5	AR
19	141828	COUPLER, MALE 3/4-16	2
20	141881	HOSE ASSEMBLY 3/8 X 136	2
21	1-242-010173-3	CYLINDER 3-3/4 X 8 <b>(SEE PAGE 2-51)</b>	2
22	2-573-010149	DECAL SLAVE	2
23	3/8-16X1-3/4CS	SCREW, HEX HEAD CAP 3/8-16 X 1-3/4	4
24	156964	HOSE ASSEMBLY 1/2 X 204	2
25	1-846-010001	VALVE FLOW DIVIDER	1
26	124696	CHECK VALVE, DOUBLE PILOT	2
28	202702-12-8S	ADAPTER	1
29	125631	BRACKET, FLOW DIVIDER VALVE	1
30	103464	SCREW, HEX HEAD CAP 5/16-18 X 3 GR5	2
31	1-512-010005-03	NUT, HEX LOCK 5/16-18	2
32	1-861-010032-09	WASHER, FLAT 5/16W	2



2me410-011307

Figure 2-23: Hydraulic Fold Assembly (875-15F)



**HYDRAULIC FOLD ASSEMBLY (875-15F)**

ITEM	PART NO.	DESCRIPTION	QTY.
1	141826	ELBOW 90 1/16 RESTRICTOR	6
2	1-242-010179-2	CYLINDER HYD 3-1/2 X 16 (SEE PAGE 2-54)	2
3	1-242-010171-2	CYLINDER HYD 3-1/2 X 8 (SEE PAGE 2-53)	1
4	2033-8-8S	ADAPTER TEE	4
5	1413183	HOSE ASSEMBLY 3/8 X 103	1
6	1413572	HOSE ASSEMBLY 3/8 X 107-1/4	1
7	141828	COUPLER, MALE 3/4-16	2
8	137602	HOSE ASSEMBLY 3/8 X 27	1
9	1-397-010369036	HOSE ASSEMBLY 3/8 X 36	1
10	123547	HOSE ASSEMBLY 3/8 X 56"	2
11	71508954	HOSE ASSEMBLY 3/8 X 22	2
12	2-181-010001	HOSE CLAMP	2
13	1-861-010034-11	WASHER, SPLIT LOCK 3/8-16	2
14	1-654-010051-05	SCREW, HEX HEAD CAP 3/8-16 X 1 GR5	2
15	162781	HOSE ASSEMBLY 1/2 X 180	2
16	1-512-010005-19	NUT HEX LOCK 1-8	4
17	1-861-010032-25	WASHER FLAT 1	4
18	8-120-010050	BRACKET WING	4
19	8-105-010003	BOLT HINGE PIVOT	4
20	8-276-010195	ROLLER WING EXTENSION	2

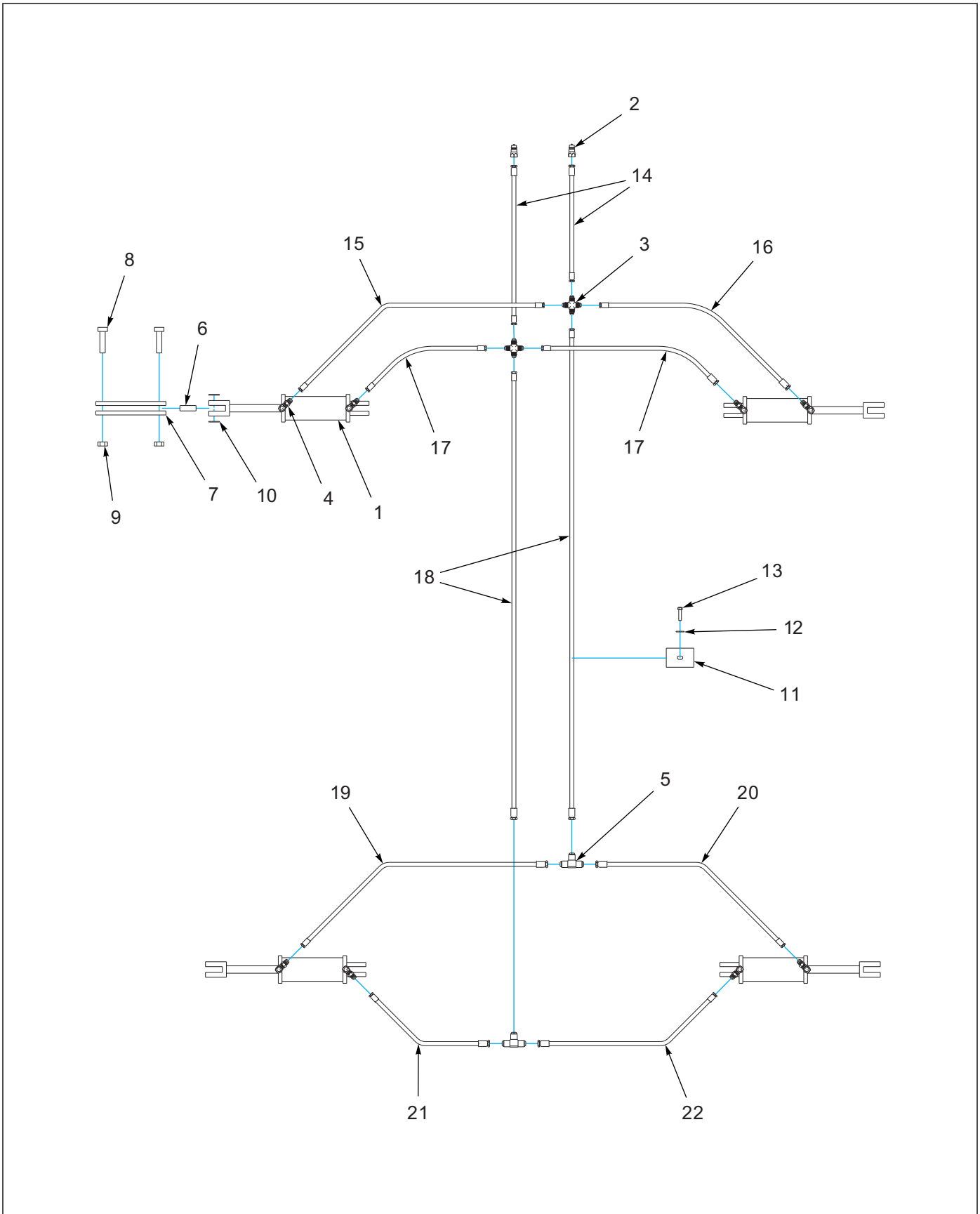


Figure 2-24: Hydraulic Fold Assembly 875-18

## HYDRAULIC FOLD ASSEMBLY 875-18

ITEM	PART NO.	DESCRIPTION	QTY.
1	1-242-010179-2	CYLINDER,HYD 3-1/2X16 3000PSI (SEE PAGE 2-54)	4
2	141828	COUPLER,MALE 3/4-16 O-RING	2
3	162779	3/4-16 JIC CROSS	2
4	141826	ELBOW 90 1/16 RES	8
5	2033-8-8S	ADAPTER, TEE, #8 TUBE	2
6	8-276-010195	ROLLER WING EXTENSION	4
7	8-120-010050	WING BRACKET	8
8	8-105-010003	HINGE PIVOT BOLT	8
9	1-512-010005-19	NUT 1-8 HEX SLF-LOCKING GRB	8
10	1-861-010032-25	WASHER FL 1IN WIDE ZP	8
11	2-181-010001	HOSE CLAMP	AR
12	1-861-010034-11	WASHER, LKG HLCL SPR, 3/8	AR
13	1-654-010051-05	SCREW,HEX CAP 3/8-16UNCX1 GR5	AR
14	156964	HOSE ASM1/2X204 SAE37X3/4-16OR	2
15	1-397-010369036	HOSE ASSY 3/8X36,#8 JIC SWVL	1
16	71508992	HOSE ASSY .38 X 50	1
17	137602	HOSE ASSY, 3/8X27, #8JIC SWVL	2
18	116490	HOSE ASSY 3/8X78 #8 JIC SW	2
19	153843	HOSE ASSY 3/8X67 #8 JIC SWIV	1
20	71508987	HOSE ASSY 3/8 X 86	1
21	123547	HOSE ASSY 3/8X56 #8 JIC SWIVL	1
22	116489	HOSE ASSY 3/8X64 #8 JIC SW	1

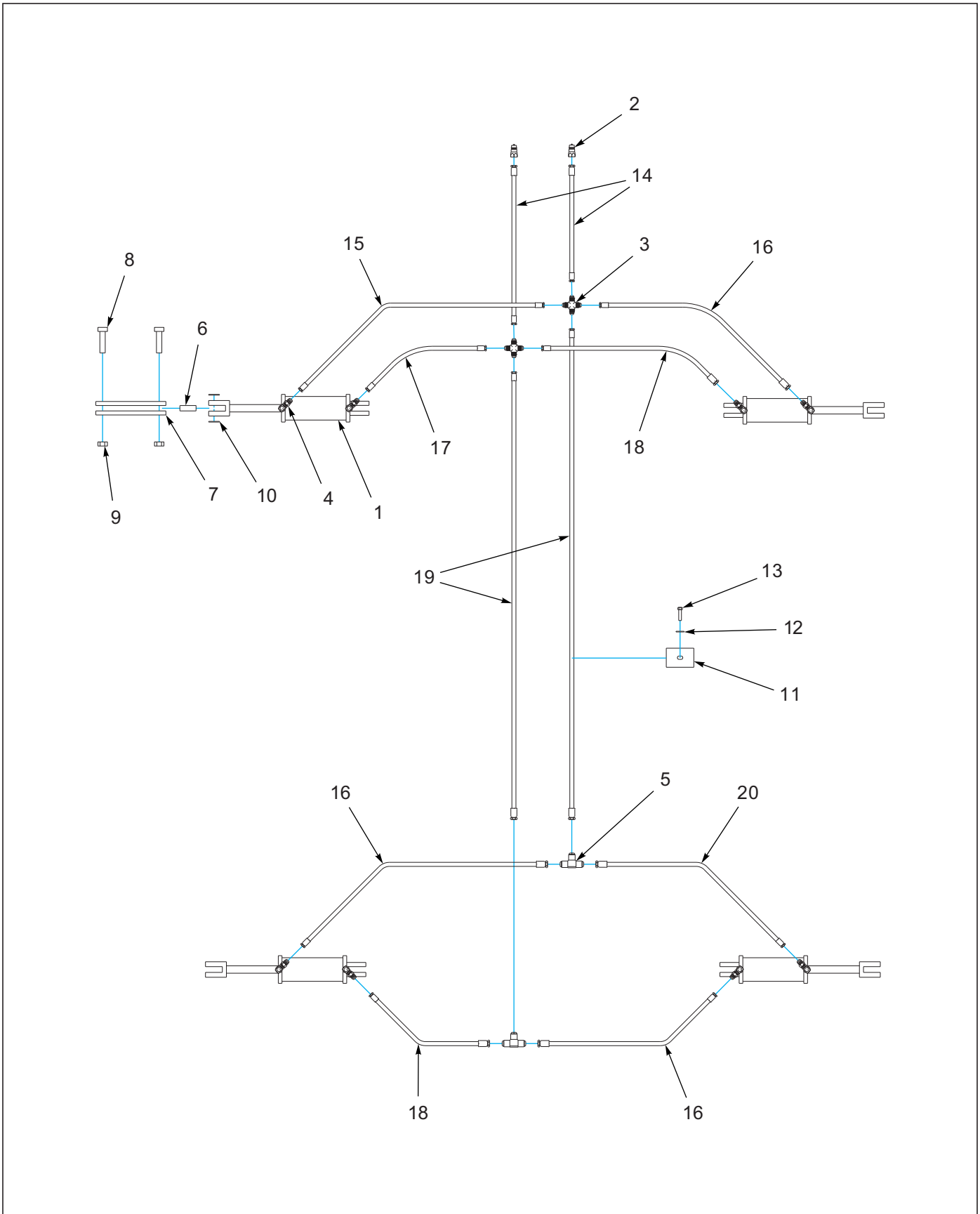


Figure 2-25: Hydraulic Fold Assembly 875-21

## HYDRAULIC FOLD ASSEMBLY 875-21

ITEM	PART NO.	DESCRIPTION	QTY.
1	1-242-010179-2	CYLINDER, HYD 3-1/2X16 3000PSI (SEE PAGE 2-54)	4
2	141828	COUPLER, MALE 3/4-16 O-RING	2
3	162779	3/4-16 JIC CROSS	2
4	141826	ELBOW 90 1/16 RES	8
5	2033-8-8S	ADAPTER, TEE, #8 TUBE	2
6	8-276-010195	ROLLER WING EXTENSION	4
7	8-120-010050	WING BRACKET	8
8	8-105-010003	HINGE PIVOT BOLT	8
9	1-512-010005-19	NUT 1-8 HEX SLF-LOCKING GRB	8
10	1-861-010032-25	WASHER FL 1IN WIDE ZP	8
11	2-181-010001	HOSE CLAMP	AR
12	1-861-010034-11	WASHER, LKG HLCL SPR, 3/8	AR
13	1-654-010051-05	SCREW, HEX CAP 3/8-16UNCX1 GR5	AR
14	156964	HOSE ASM 1/2X204 SAE37X3/4-16OR	2
15	71508992	HOSE ASSY .38 X 50	1
16	153843	HOSE ASSY 3/8X67 #8 JIC SWIV	3
17	137602	HOSE ASSY, 3/8X27, #8JIC SWVL	1
18	123547	HOSE ASSY 3/8X56 #8 JIC SWIVL	2
19	147583	HOSE ASSY 3/8X72 #8 JIC SWIV	2
20	71508987	HOSE ASSY 3/8 X 86	1

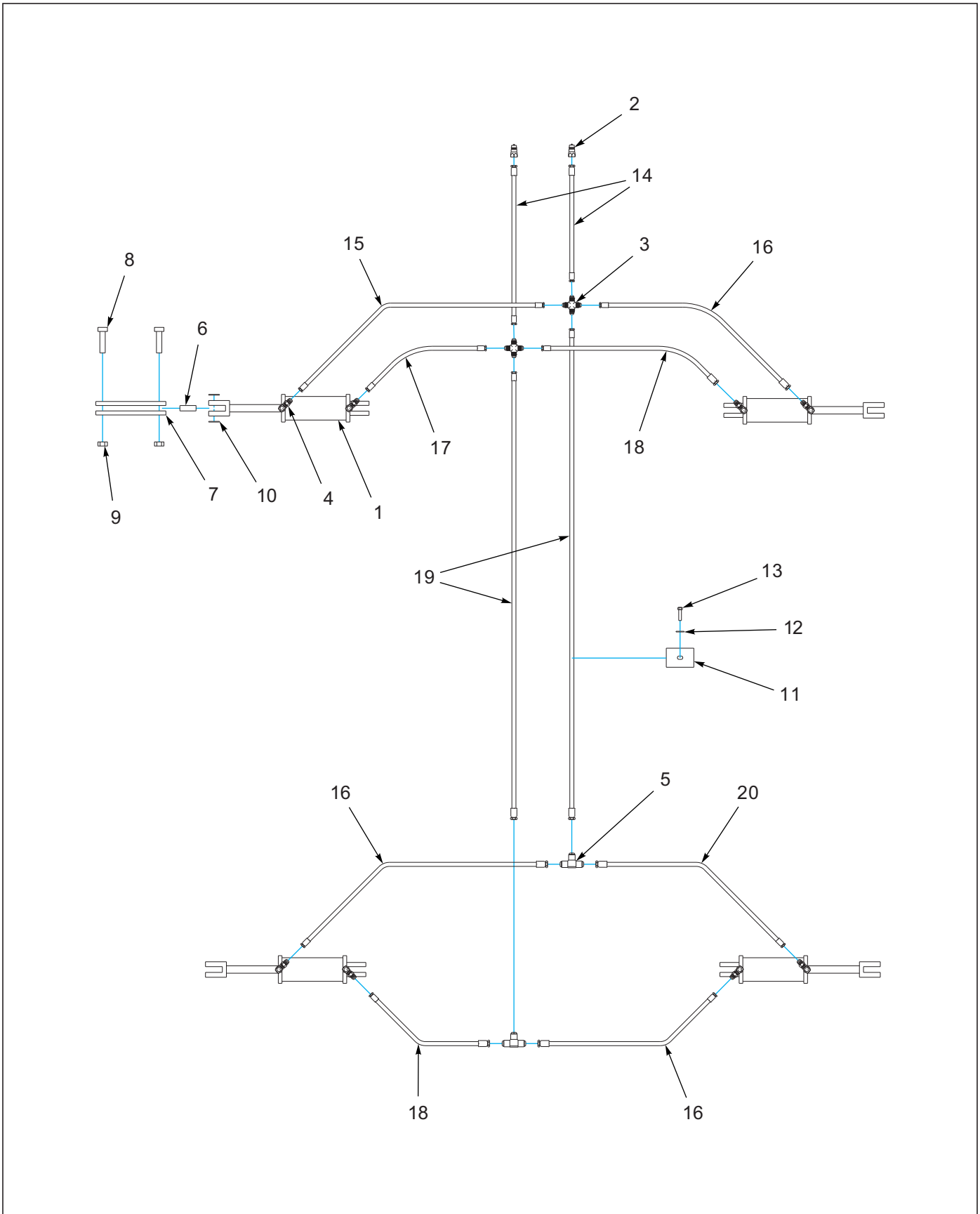


Figure 2-26: Hydraulic Fold Assembly 875-25

## HYDRAULIC FOLD ASSEMBLY 875-25

ITEM	PART NO.	DESCRIPTION	QTY.
1	1-242-010179-2	CYLINDER, HYD 3-1/2X16 3000PSI (SEE PAGE 2-54)	4
2	141828	COUPLER, MALE 3/4-16 O-RING	2
3	162779	3/4-16 JIC CROSS	2
4	141826	ELBOW 90 1/16 RES	8
5	2033-8-8S	ADAPTER, TEE, #8 TUBE	2
6	8-276-010195	ROLLER WING EXTENSION	4
7	2-120-010136	BRKT WING FOLD WSMII	8
8	8-105-010003	HINGE PIVOT BOLT	8
9	1-512-010005-19	NUT 1-8 HEX SLF-LOCKING GRB	8
10	1-861-010032-25	WASHER FL 1IN WIDE ZP	8
11	2-181-010001	HOSE CLAMP	AR
12	1-861-010034-11	WASHER, LKG HLCL SPR, 3/8	AR
13	1-654-010051-05	SCREW, HEX CAP 3/8-16UNCX1 GR5	AR
14	156964	HOSE ASM 1/2X204 SAE37X3/4-16OR	2
15	123547	HOSE ASSY 3/8X56 #8 JIC SWIVL	1
16	116490	HOSE ASSY 3/8X78 #8 JIC SW	3
17	71508984	HOSE .38X42	1
18	116489	HOSE ASSY 3/8X64 #8 JIC SW	2
19	147583	HOSE ASSY 3/8X72 #8 JIC SWIV	2
20	116433	HOSE ASSY 3/8X90 #8 JIC SWV	1

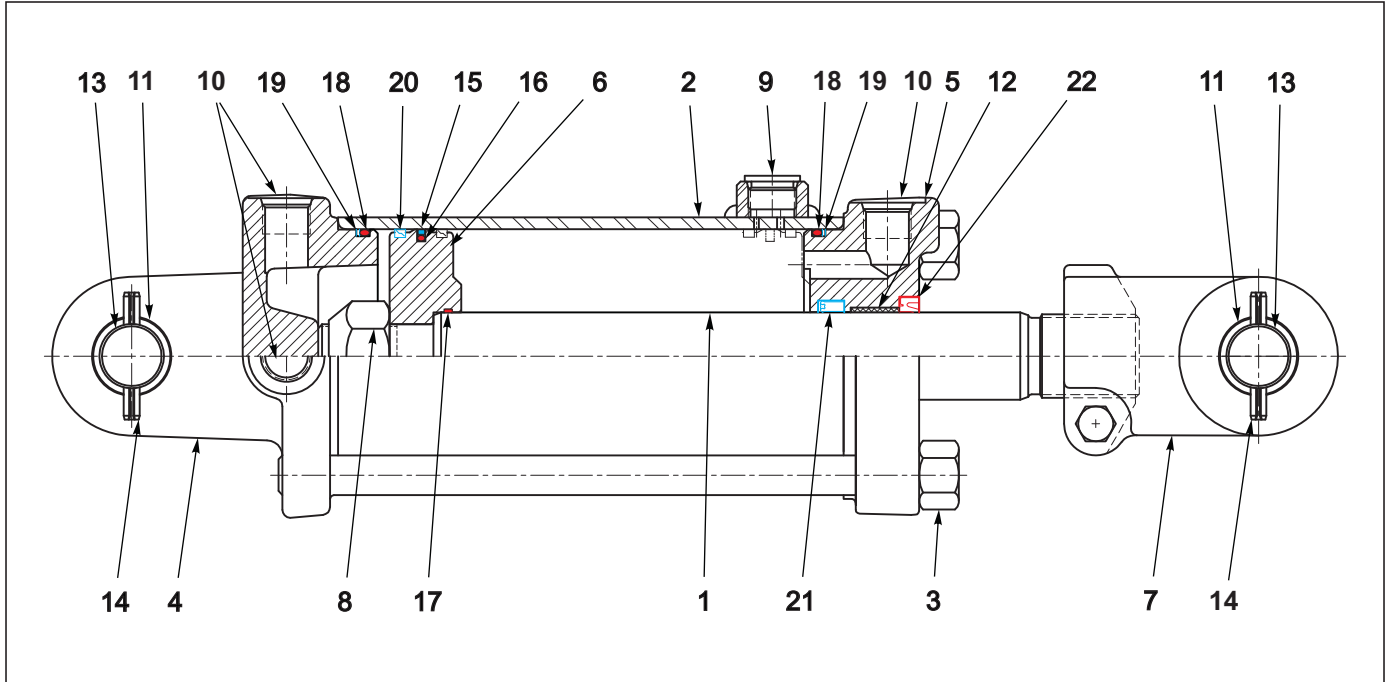


Figure 2-27: Cylinder - Rephase Assembly 4" X 8" (1-3/8" Rod)

### Cylinder - Rephase Assembly 4" X 8" (1-3/8" Rod)

ITEM	PART NO.	DESCRIPTION	QTY.
--	1-242-010173-4	CYL HYD 4X8 MASTER	
1	010700569	ROD, PISTON	1
2	----	TUBE ASSY	1
3	----	TIEROD ASSY	4
4	----	BUTT CLEVIS ASSY	1
5	142109	GLAND ASSEMBLY	1
6	----	PISTON	1
7	111874	CLEVIS ASSY	1
8	-----	LOCKNUT	1
9	----	SHIPPING PLUG	1
10	----	SHIPPING PLUG	3
11	----	BUSHING	4
12	----	BUSHING	1
13	----	CLEVIS PIN	2
14	----	ROLL PIN	4
15	----	TEFLON SEAL	1
16	----	O- RING	1
17	----	O- RING	2
18	----	O- RING	2
19	----	BU- WASHER	1
20	----	BEARING RING	1
21	----	U- CUP	1
22	----	WIPER	1
23	113215	PACKING KIT (NOT SHOWN) (INCLUDES ITEMS 15-22)	
24	100605	REPAIR KIT (NOT SHOWN) (INCLUDES ITEMS 4, 18, 19)	



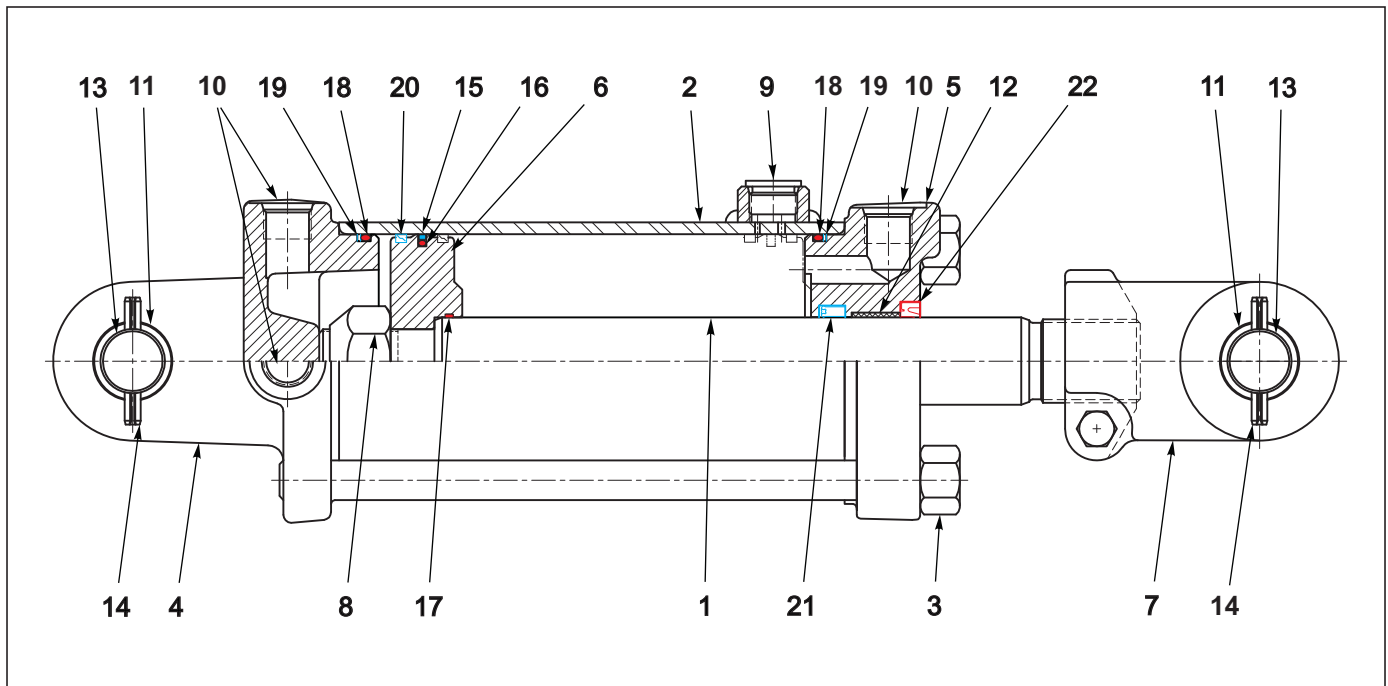


Figure 2-28: Cylinder - Rephase Assembly 3-3/4" X 8"

### Cylinder - Rephase Assembly 3-3/4" X 8"

ITEM	PART NO.	DESCRIPTION	QTY.
--	1-242-010173-3	CYL HYD 3-3/4X8 SLAVE 1	
1	010700560	ROD, PISTON	1
2	----	TUBE ASSY	1
3	----	TIEROD ASSY	4
4	----	BUTT CLEVIS ASSY	1
5	111871	GLAND ASSEMBLY	1
6	----	PISTON	1
7	100000330	CLEVIS ASSY	1
8	----	LOCKNUT	1
9	----	SHIPPING PLUG	1
10	----	SHIPPING PLUG	3
11	----	BUSHING	4
12	----	BUSHING	1
13	----	CLEVIS PIN	2
14	----	ROLL PIN	4
15	----	TEFLON SEAL	1
16	----	O- RING	1
17	----	O- RING	2
18	----	O- RING	2
19	----	BU- WASHER	1
20	----	BEARING RING	1
21	----	U- CUP	1
22	----	WIPER	1
23	1-242-010178-8	PACKING KIT (NOT SHOWN) (INCLUDES ITEMS 15-22)	

## 50 ILLUSTRATED PARTS LIST

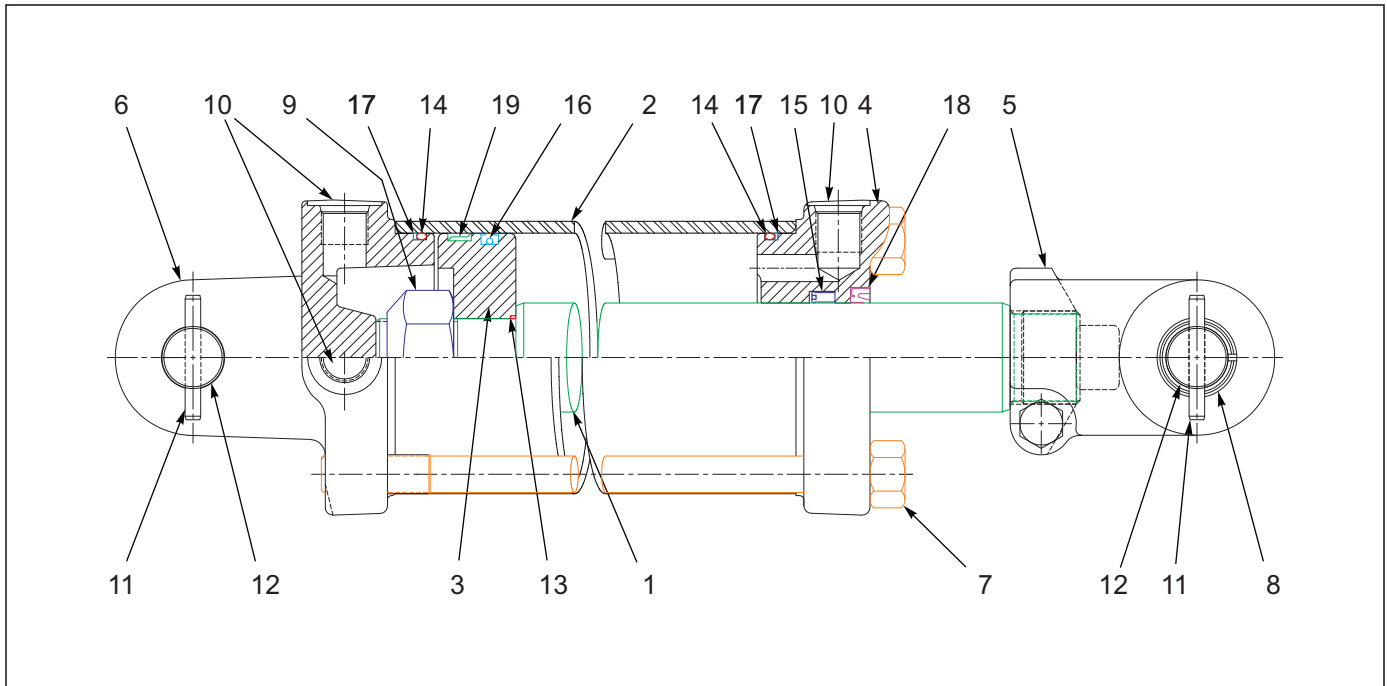


Figure 2-29: Cylinder Assembly 4" X 8" (1-3/4" Rod)

### Cylinder Assembly 4" X 8" (1-3/4" Rod)

ITEM	PART NO.	DESCRIPTION	QTY.
--	1-242-010171-3	CYLINDER, HYD 4X8" 1-3/4 3000	
1	011000318	ROD, PISTON	1
2	----	TUBE ASSY	1
3	----	PISTON	1
4	162674	GLAND ASSEMBLY	1
5	100000326	CLEVIS ASSY	1
6	----	BUTT CLEVIS ASSY	1
7	----	TIEROD ASSY	4
8	----	BUSHING	4
9	----	LOCKNUT	1
10	----	SHIPPING PLUG	3
11	----	ROLL PIN	4
12	----	CLEVIS PIN	2
13	----	O- RING	1
14	----	O- RING	2
15	----	U- CUP	1
16	----	CROWN	1
17	----	BU- WASHER	2
18	----	WIPER	1
19	----	BEARING RING	1
20	147377	PACKING KIT (NOT SHOWN) (INCLUDES ITEMS 13-19)	

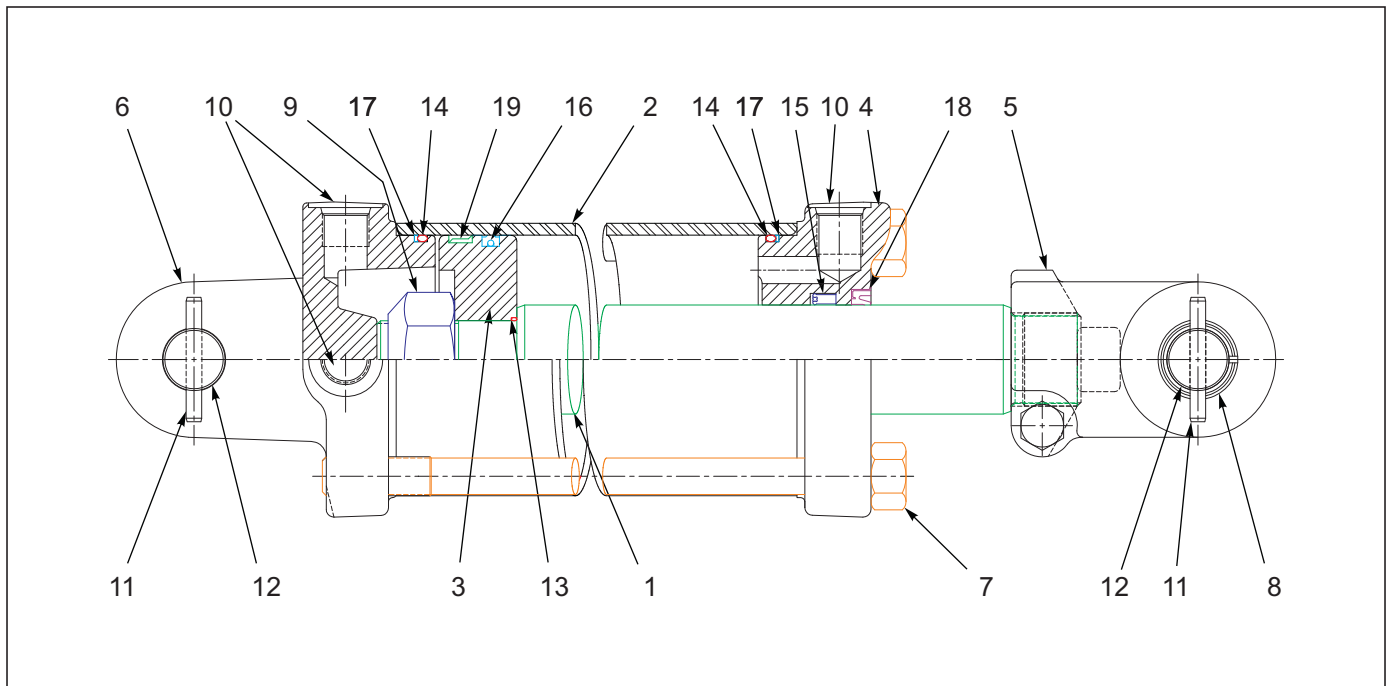


Figure 2-30: Cylinder Assembly 3-1/2" X 8"

### Cylinder Assembly 3-1/2" X 8"

ITEM	PART NO.	DESCRIPTION	QTY.
--	1-242-010171-2	CYL HYD 3-1/2X8 3000PSI	
1	114882	ROD, PISTON	1
2	----	TUBE ASSY	1
3	----	PISTON	1
4	162673	GLAND ASSEMBLY	1
5	100000330	CLEVIS ASSY	1
6	----	BUTT CLEVIS ASSY	1
7	----	TIEROD ASSY	4
8	----	BUSHING	4
9	----	LOCKNUT	1
10	----	SHIPPING PLUG	3
11	----	ROLL PIN	4
12	----	CLEVIS PIN	2
13	----	O- RING	1
14	----	O- RING	2
15	----	U- CUP	1
16	----	CROWN	1
17	----	BU- WASHER	2
18	----	WIPER	1
19	----	BEARING RING	1
20	1-242-010178-2	PACKING KIT (NOT SHOWN) (INCLUDES ITEMS 13-19)	

## 50 ILLUSTRATED PARTS LIST

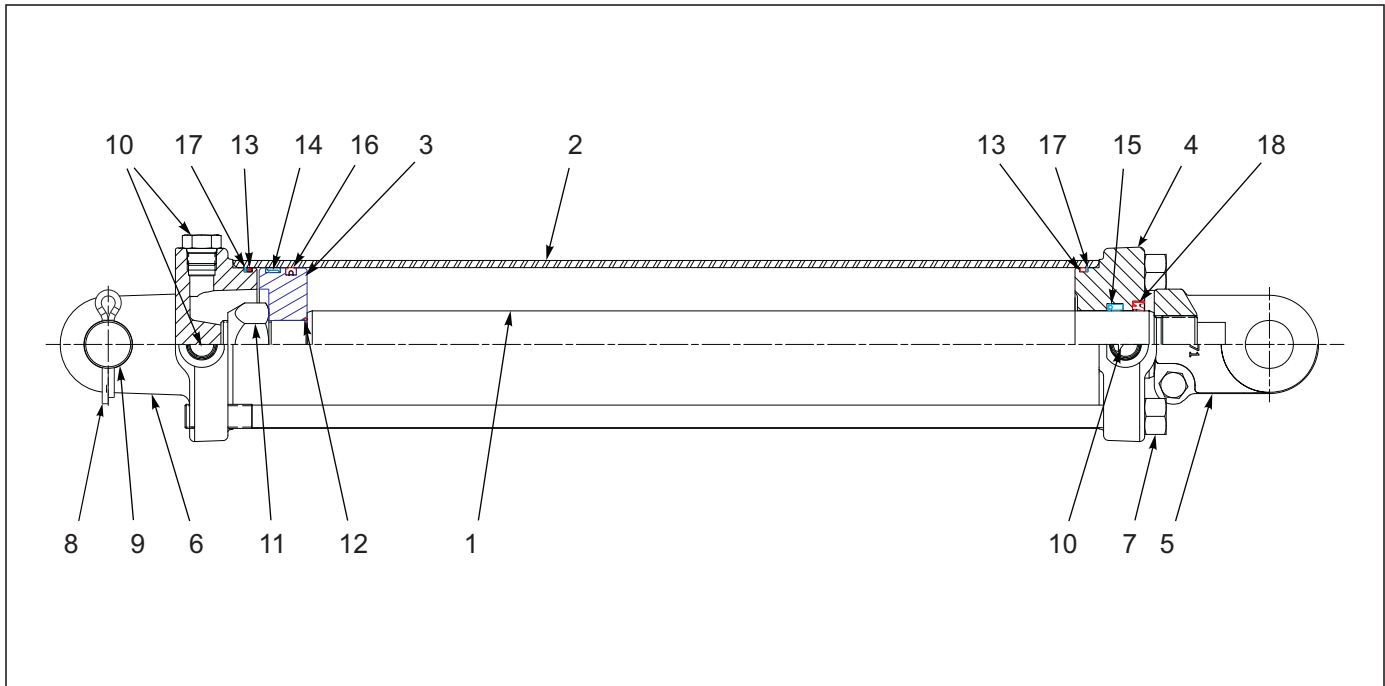


Figure 2-31: Cylinder Assembly 3-1/2" X 16"

### Cylinder Assembly 3-1/2" X 16"

ITEM	PART NO.	DESCRIPTION	QTY.
--	1-242-010179-2	CYLINDER, HYD 3-1/2X16 3000PSI	
1	155341	PISTON ROD	1
2	----	TUBE	1
3	----	PISTON	1
4	162673	GLAND	1
5	118241	CLEVIS ASSY	1
6	----	BUTT CLEVIS	1
7	----	TIE ROD STUD W/HEX NUT	4
8	----	COTTER PIN	2
9	----	CLEVIS PIN	1
10	----	#8 SAE HEX HEAD PLUG	3
11	----	LOCK NUT	1
12	----	O- RING	1
13	----	O- RING	2
14	----	PISTON BEARING RING	1
15	----	U-CUP	1
16	----	CROWN SEAL	1
17	----	BU- WASHER	2
18	----	CANNED WIPER	1
19	1-242-010178-2	PACKING KIT (NOT SHOWN) (INCL ITEMS 12-18)	

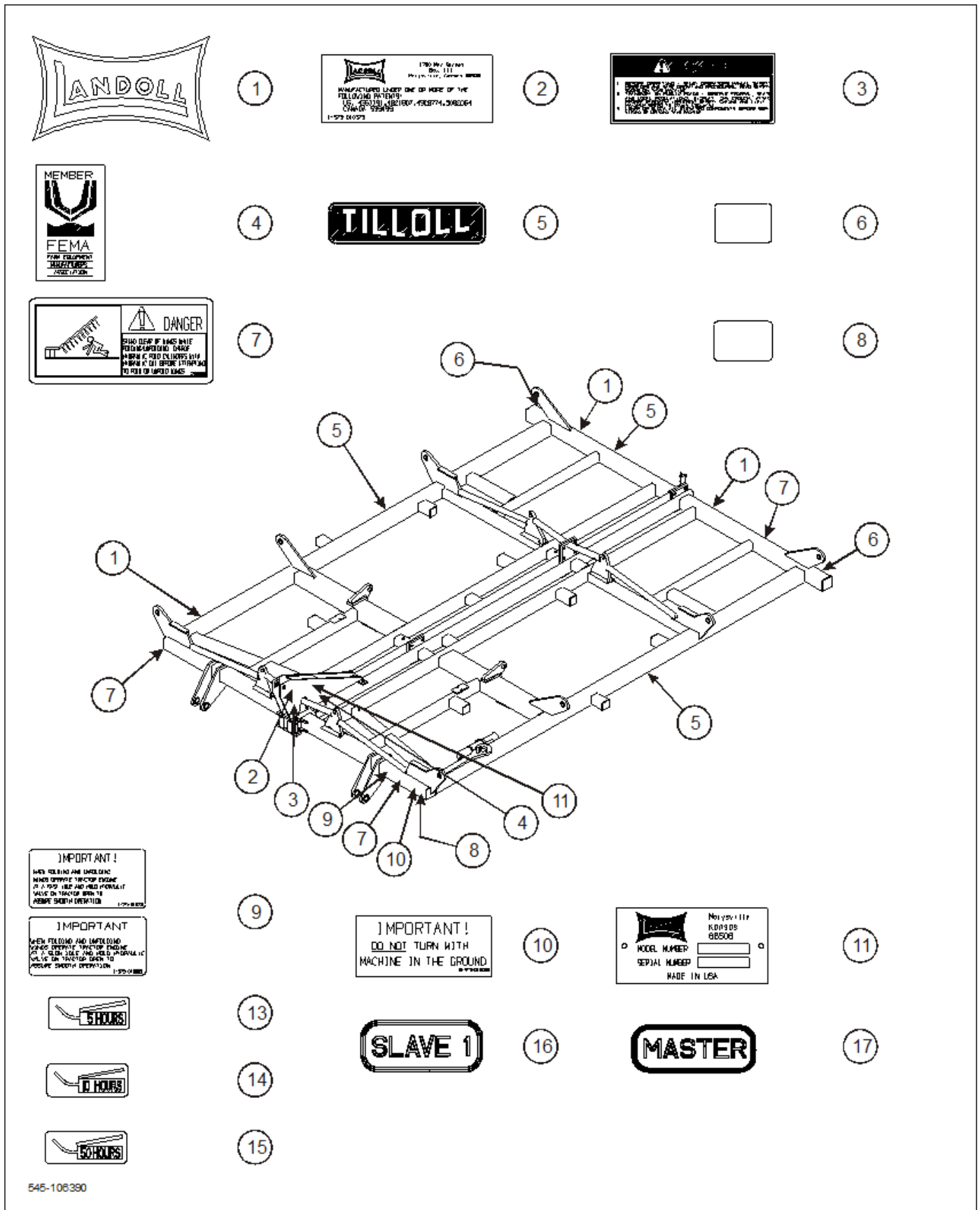
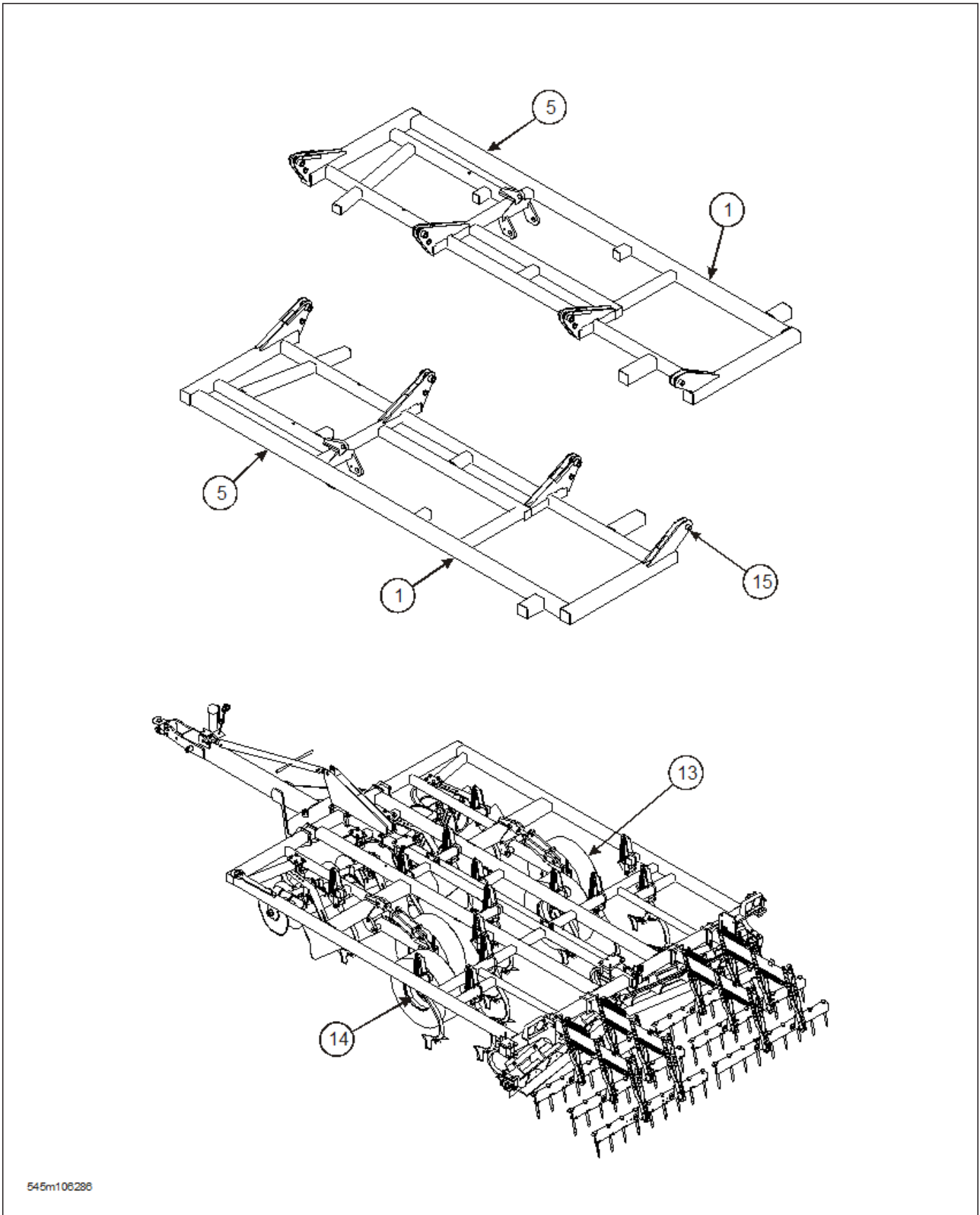


Figure 2-32: Decal Installation (1 of 2)



545m100286

Figure 2-33: Decal Installation (2 of 2)

## DECAL INSTALLATION

ITEM	PART NO.	DESCRIPTION	QTY.
1	1-573-010007	DECAL LANDOLL BLACK	
2	1-573-010373	DECAL PATENT TILLAGE	
3	8-573-010084	DECAL WARNING BEFORE OPERATING	
4	2-573-010198	DECAL MEMBER FEMA	
5	8-573-010052	DECAL TILLOLL	
6	1-573-010033	TAPE RED REFLECTIVE	
7	2-573-010037	DECAL DANGER WING ( <b>FOLD MODELS ONLY</b> )	
8	1-573-010032	TAPE AMBER REFLECTIVE	
9	1-573-010056	DECAL IMPORTANT WING FOLDING ( <b>875-18, 875-21, 875-25</b> )	
9	1-573-010095	DECAL WING FOLDING ( <b>875-15F</b> )	
10	8-573-010059	DECAL IMPORTANT NO TURNING	
11	1-573-010006	PLATE, NAME	
12	10036	FASTENER, SERIAL NUMBER PLATE ( <b>NOT SHOWN</b> )	
13	2-573-010330-01	DECAL LUBRICATION 5 HOURS	
14	2-573-010330-02	DECAL LUBRICATION 10 HOURS	
15	2-573-010330-03	DECAL LUBRICATION 50 HOURS	
16	2-573-010149	DECAL SLAVE ( <b>NOT SHOWN</b> ) ( <b>SEE PAGE 2-38 FOR DECAL LOCATIONS</b> )	
17	2-573-010150	DECAL MASTER ( <b>NOT SHOWN</b> ) ( <b>SEE PAGE 2-38 FOR DECAL LOCATIONS</b> )	

## Notes



## Numerical Index

### Numerics

010700560	2-51	107-0018	2-23
010700569	2-50	1-076-010001	2-14
011000318	2-52	1-076-010002	2-14
0600-250-01250	2-17, 2-21	1-076-010003	2-10, 2-14
0800-0500-02000	2-35	1-076-010004	2-10, 2-14
1/2-13X2-1/2CS	2-35	1-076-010007	2-10, 2-14
1/8X1-1/2	2-10	1-076-010009	2-10, 2-14
100000326	2-52	1-076-010010	2-10, 2-14
100000330	2-51, 2-53	1-076-010012	2-10, 2-14
100214	2-17, 2-21	108628	2-23
10036	2-57	108830	2-3, 2-5, 2-7
100605	2-50	1-104-010001	2-14
100693	2-32	1-104-010002	2-10, 2-14
100694	2-23	1-116-010019	2-3, 2-5, 2-7
100695	2-3, 2-7	111871	2-51
100823	2-17, 2-19, 2-21	111874	2-50
100827	2-23	113215	2-50
100843	2-17, 2-21	114882	2-53
100844	2-17, 2-21	1-161-010002	2-14
100966	2-10, 2-14	1-161-010003	2-10, 2-14
103007	2-17	116433	2-49
103008	2-21	116435	2-41
103012	2-19	116489	2-45, 2-49
103464	2-41	116490	2-45, 2-49
105-0093	2-3, 2-5, 2-7	117260	2-39
105874	2-37	118241	2-54
106046	2-17, 2-19, 2-21	119083	2-11
1-065-010011	2-32	11L-15 12PLY	2-14
1-065-010012	2-28	11L-15-10PLY	2-10, 2-14
1-065-010013	2-28	1-208-010010	2-38, 2-39, 2-41
		1-208-010013	2-38, 2-39, 2-41

## NUMERICAL INDEX

---

1-208-010020	2-38, 2-39, 2-41	1-423-010009	2-17, 2-19, 2-21
1-208-010049	2-39	1-423-010010	2-17, 2-19, 2-21
123547	2-43, 2-45, 2-47, 2-49	1-423-010011	2-17, 2-19, 2-21
1-242-010171-2	2-43, 2-53	1-423-010012	2-17, 2-19, 2-21
1-242-010171-3	2-39, 2-52	145469	2-29
1-242-010173-3	2-38, 2-39, 2-41, 2-51	147377	2-52
1-242-010173-4	2-38, 2-39, 2-41, 2-50	147583	2-47, 2-49
1-242-010178-2	2-53, 2-54	151029	2-35
1-242-010178-8	2-51	1-511-010001-07	2-25
1-242-010179-2	2-43, 2-45, 2-47, 2-49, 2-54	1-512-010002-15	2-19
124696	2-41	1-512-010004-05	2-37
125631	2-41	1-512-010005-01	2-3, 2-5, 2-7, 2-17, 2-19, 2-21
1-298-010001-1	2-10, 2-14, 2-17, 2-21, 2-28	1-512-010005-03	2-23, 2-41
133662	2-23, 2-25	1-512-010005-05	2-10, 2-23, 2-32, 2-35
135439	2-28	1-512-010005-09	2-3, 2-5, 2-7, 2-10, 2-14, 2-17, 2-21, 2-23, 2-25, 2-28, 2-32, 2-35, 2-37
135442	2-28	1-512-010005-13	2-3, 2-5, 2-7, 2-14, 2-23, 2-28, 2-32, 2-35
135443	2-28	1-512-010005-17	2-14
136167	2-29	1-512-010005-19	2-17, 2-21, 2-43, 2-45, 2-47, 2-49
136509	2-28	1-512-010007-08	2-23
136510	2-28	1-512-010007-09	2-17, 2-21, 2-23
137599	2-41	1-512-010008-12	2-17, 2-21
137602	2-39, 2-41, 2-43, 2-45, 2-47	1-512-010011-19	2-17, 2-19, 2-21
1-397-010301114	2-38	1-516-010001-20	2-10
1-397-010301194	2-38	1-516-010001-27	2-19, 2-32
1-397-010301238	2-38	1-533-010001	2-3, 2-7
1-397-010301284	2-38	153841	2-41
1-397-010369036	2-41, 2-43, 2-45	153843	2-45, 2-47
1-406-010010	2-10, 2-14	1-539-010002	2-38, 2-39, 2-41
1-406-010012	2-10, 2-14	1-539-010014	2-39
1413183	2-43	155341	2-54
1413572	2-43	1-557-010013	2-10, 2-14
141433	2-17, 2-19	1-557-010014	2-10, 2-14, 2-19
141434	2-21	1-557-010362-40	2-10, 2-14, 2-35
141826	2-43, 2-45, 2-47, 2-49	1-557-010362-63	2-5, 2-7, 2-17, 2-19, 2-21
141828	2-38, 2-39, 2-41, 2-43, 2-45, 2-47, 2-49	1-557-010362-65	2-19
141881	2-41	1-557-010362-87	2-32
142109	2-50		
1422176	2-39		

156420	2-11	1-654-010059-04	2-11
156423	2-11	1-654-010059-05	2-3, 2-7, 2-33
156425	2-11	1-654-010059-07	2-28, 2-33
156856	2-10	1-654-010059-08	2-28
156857	2-11	1-654-010059-16	2-14, 2-32
156964	2-41, 2-45, 2-47, 2-49	1-654-010059-17	2-3, 2-7
1-573-010006	2-57	1-654-010059-21	2-28
1-573-010007	2-57	1-654-010061-07	2-11
1-573-010032	2-57	1-654-010061-09	2-19
1-573-010033	2-57	1-654-010070-04	2-32
1-573-010056	2-57	1-654-010087-16	2-17, 2-21
1-573-010095	2-57	1-654-010125-21	2-17
1-573-010373	2-57	1-654-010125-22	2-17, 2-21
157597	2-10	1-654-010126-10	2-28
162671	2-41	1-659-010001	2-10, 2-14
162673	2-53, 2-54	1-659-010004	2-10, 2-14
162674	2-52	166160	2-25
162779	2-45, 2-47, 2-49	172667	2-25
162780	2-39	172671	2-25
162781	2-43	172672	2-25
162906	2-25	178474	2-23
164146	2-25	178475	2-23
164147	2-25	1-846-010001	2-41
164192	2-25	1-861-010004	2-10, 2-14
1-647-010004255	2-19	1-861-010005	2-10
1-647-010004263	2-19	1-861-010006	2-32
164777	2-21	1-861-010032-09	2-41
1-654-010047-04	2-37	1-861-010032-13	2-23, 2-25
1-654-010047-06	2-3, 2-5, 2-7	1-861-010032-15	2-32
1-654-010047-07	2-37	1-861-010032-19	2-25, 2-29
1-654-010051-05	2-32, 2-38, 2-39, 2-41, 2-43, 2-45, 2-47, 2-49	1-861-010032-24	2-17, 2-19, 2-21
1-654-010051-13	2-10	1-861-010032-25	2-5, 2-7, 2-43, 2-45, 2-47, 2-49
1-654-010055-03	2-10, 2-17, 2-21, 2-35, 2-37	1-861-010034-11	2-38, 2-39, 2-41, 2-43, 2-45, 2-47, 2-49
1-654-010055-05	2-10, 2-14, 2-23, 2-28	1-861-010034-12	2-23, 2-25
1-654-010055-07	2-32	1-861-010034-13	2-17, 2-21
1-654-010055-11	2-32	2-015-010252	2-37
1-654-010055-16	2-3, 2-5, 2-7, 2-35, 2-37	202702-12-8S	2-41

## NUMERICAL INDEX

---

202702-8-8S	2-41	2-375-010602	2-21
2033-8-8S	2-39, 2-41, 2-43, 2-45, 2-47, 2-49	2-406-010004	2-14
2-054-010461	2-3, 2-5, 2-7, 2-37	2-446-010044	2-37
2062-10-8S	2-41	2-446-010045	2-37
2062-8-8S	2-38, 2-39, 2-41	2-459-010031	2-14
209432	2-39	2-459-010032	2-14
2-120-010004	2-17, 2-21	2-482-010274	2-17, 2-21
2-120-010136	2-49	2-522-010010	2-17, 2-21
2-120-010503	2-37	2-557-010006	2-5, 2-7, 2-17, 2-21
2-120-010509	2-37	2-557-010022	2-19
2-150-010008	2-3, 2-7	2-557-010028	2-19
2-150-010058	2-23	2-557-010053	2-10, 2-14
2-150-010227	2-21	2-557-010054	2-10, 2-14, 2-17, 2-19, 2-21
2-150-010228	2-17	2-557-010105	2-10, 2-14
2-181-010001	2-38, 2-39, 2-41, 2-43, 2-45, 2-47, 2-49	2-557-010125	2-19
2-183-010090	2-23	2-557-010517	2-23
2-217-010031	2-32	2-573-010037	2-57
2-217-010033	2-3, 2-7	2-573-010149	2-38, 2-39, 2-41, 2-57
225540	2-25	2-573-010150	2-38, 2-39, 2-41, 2-57
225541	2-25	2-573-010198	2-57
225542	2-25	2-573-010330-01	2-57
225543	2-25	2-573-010330-02	2-57
225544	2-25	2-573-010330-03	2-57
2-276-010240	2-7	2-654-010002	2-17, 2-19, 2-21
229555	2-25	2-654-010003	2-17, 2-21
2-326-010190	2-10	2-654-010030	2-19
2-326-010191	2-10	2-683-010079	2-23, 2-25
2-326-010226	2-10	2-689-010057	2-23
2-326-010267	2-10	2-717-010050	2-10
2-360-010015	2-17, 2-21	2-798-010112	2-10
2-360-010018	2-19	2-870-010006	2-10, 2-14
2-368-010270	2-37	2-870-010010	2-14
2-368-010271	2-37	29SFFL 5811	2-23, 2-25
2-368-010274	2-37	3/8-16X1-1/2PB	2-23
2-368-010287	2-37	3/8-16X1-3/4CS	2-41
2-375-010562	2-17	375-0002	2-19
2-375-010600	2-17, 2-21	415	2-10, 2-14
2-375-010601	2-17, 2-21	5/8-11X6-1/2 CS	2-28

5/8-11X7-1/2 CS . . . . .	2-28	8-253-010015 . . . . .	2-32
528933 . . . . .	2-37	8-253-010016 . . . . .	2-32
528934 . . . . .	2-37	8-253-010017 . . . . .	2-32
528938 . . . . .	2-37	8-253-010022 . . . . .	2-32
6-102-010009 . . . . .	2-5, 2-7, 2-35	8-253-010023 . . . . .	2-32
6-557-010036 . . . . .	2-14	8-253-010025 . . . . .	2-32
7/16-14X1-1/2PW . . . . .	2-23, 2-25	8-253-010027 . . . . .	2-32
7/8-9X6-1/2HHCS . . . . .	2-14	8-253-010028 . . . . .	2-32
70260977 . . . . .	2-3, 2-5, 2-7	8-253-010029 . . . . .	2-32
71508954 . . . . .	2-43	8-253-010030 . . . . .	2-32
71508984 . . . . .	2-39, 2-49	8-253-010031 . . . . .	2-32
71508987 . . . . .	2-45, 2-47	8-253-010036 . . . . .	2-32
71508992 . . . . .	2-41, 2-45, 2-47	8-253-010037 . . . . .	2-32
8-065-010016 . . . . .	2-28	8-253-010038 . . . . .	2-32
8-102-010012 . . . . .	2-32	8-253-010040 . . . . .	2-33
8-102-010017 . . . . .	2-35	8-253-010041 . . . . .	2-32
8-102-010019 . . . . .	2-32	8-253-010042 . . . . .	2-32
8-102-010020 . . . . .	2-28	8-253-010043 . . . . .	2-32
8-102-010021 . . . . .	2-32	8-253-010049 . . . . .	2-32
8-102-010023 . . . . .	2-23	8-253-010050 . . . . .	2-32
8-105-010003 . . . . .	2-43, 2-45, 2-47, 2-49	8-276-010195 . . . . .	2-43, 2-45, 2-47, 2-49
8-105-010004 . . . . .	2-23, 2-32	8-276-010279 . . . . .	2-7
8-105-010006 . . . . .	2-23	8-276-010280 . . . . .	2-7
8-120-010050 . . . . .	2-43, 2-45, 2-47	8-276-010281 . . . . .	2-7
8-146-010004 . . . . .	2-10, 2-15	8-276-010282 . . . . .	2-7
8-182-010022 . . . . .	2-23	8-276-010329 . . . . .	2-7
8-182-010023 . . . . .	2-23	8-276-010330 . . . . .	2-7
8-182-010025 . . . . .	2-23	8-276-010334 . . . . .	2-5, 2-7
8-183-010058 . . . . .	2-23	8-276-010404 . . . . .	2-5
8-217-010068 . . . . .	2-19	8-311-011103 . . . . .	2-7
8-217-010070 . . . . .	2-17, 2-21	8-311-011119 . . . . .	2-3
8-253-010002 . . . . .	2-32	8-311-011120 . . . . .	2-3
8-253-010003 . . . . .	2-32	8-311-011121 . . . . .	2-3
8-253-010004 . . . . .	2-32	8-311-011122 . . . . .	2-3
8-253-010007 . . . . .	2-32	8-311-011126 . . . . .	2-3
8-253-010010 . . . . .	2-32	8-311-011127 . . . . .	2-3
8-253-010012 . . . . .	2-32	8-311-011138 . . . . .	2-7
8-253-010013 . . . . .	2-32	8-311-011139 . . . . .	2-7

## NUMERICAL INDEX

---

8-311-011148	2-7	8-622-010010	2-28
8-311-011149	2-7	8-622-010011	2-28
8-311-011315	2-3	8-622-010012	2-28
8-311-011328	2-7	8-622-010013	2-28
8-311-011329	2-7	8-622-010014	2-28
8-311-012256	2-5	8-622-010015	2-28
8-326-010089	2-14	8-622-010016	2-28
8-326-010142	2-14	8-622-010017	2-28
8-326-010145	2-14	8-622-010018	2-28
8-326-010164	2-14	8-622-010022	2-28
8-326-010165	2-14	8-622-010023	2-28
8-326-010166	2-14	8-622-010024	2-28
8-326-010167	2-14	8-622-010025	2-28
8-326-010201	2-14	8-622-010028	2-28
8-326-010246	2-10	8-622-010031	2-28
8-326-010264	2-10	8-622-010066	2-28
8-326-010265	2-10	8-622-010067	2-28
8-370-010001	2-35	8-630-010001	2-29
8-370-010007	2-35	8-681-010008	2-32
8-370-010008	2-35	8-681-010009	2-33
8-370-010011	2-35	8-681-010010	2-32
8-370-010012	2-35	8-681-010012	2-33
8-370-010013	2-35	8-681-010013	2-33
8-370-010014	2-35	8-681-010014	2-33
8-370-010015	2-35	8-681-010020	2-33
8-370-010016	2-35	8-683-010020	2-32
8-375-010265	2-19	8-683-010021	2-23
8-375-010269	2-19	8-683-010023	2-28
8-459-010024	2-10, 2-15	8-689-010009	2-23, 2-25
8-459-010025	2-10, 2-15	8-689-010010	2-23
8-557-010114	2-17, 2-19, 2-21	8-720-010011	2-35
8-573-010052	2-57	8-720-010012	2-32
8-573-010059	2-57	8-861-010008	2-28
8-573-010084	2-57	8-861-010009	2-29
8-622-010003	2-28	8-861-010021	2-17, 2-21
8-622-010006	2-28		
8-622-010007	2-28		
8-622-010009	2-28		

**F**

---

F-249 ..... 2-3, 2-5, 2-7  
F-306 ..... 2-37  
F-60 ..... 2-3, 2-5, 2-7

**R**

---

RRT128X.75 ..... 2-35  
RRT159X1.375 ..... 2-29





**Document Control Revision Log:**

<b>Date</b>	<b>Form #</b>	<b>Improvement(s): Description and Comments</b>
01/21/2010	F-249	New Manual.
09/17/2011	F-249-1110	Updated Manual.
12/10/2019	F-249-1219	Updated Manual.
09/14/2020	F-249-1219	Updated Spring Shank & updated for E-Commerce.



---

# Intertek

Equipment from Landoll Company, LLC is built to exacting standards ensured by ISO 9001 registration at all Landoll manufacturing facilities.

## Model 875 Tilloll Parts Manual

Re-Order Part Number F-249-0920

### LANDOLL COMPANY, LLC

1900 North Street

Marysville, Kansas 66508

(785) 562-5381

800-428-5655 ~ [WWW.LANDOLL.COM](http://WWW.LANDOLL.COM)



Copyright 2010. Landoll Company, LLC

“All rights reserved, including the right to reproduce this material or portions thereof in any form.”

Scan to go to [www.landoll.com](http://www.landoll.com)

